



US00D968151S

(12) **United States Design Patent**  
**Jin**

(10) **Patent No.:** **US D968,151 S**  
(45) **Date of Patent:** **\*\* Nov. 1, 2022**

- (54) **BABY FOLDABLE BOTTLE WARMER**
- (71) Applicant: **Shenzhen DJ Innovation Industry Co., Ltd, Shenzhen (CN)**
- (72) Inventor: **Bo Jin, Shenzhen (CN)**
- (\*\*) Term: **15 Years**
- (21) Appl. No.: **29/768,708**
- (22) Filed: **Feb. 1, 2021**
- (30) **Foreign Application Priority Data**  
Jul. 30, 2020 (CN) ..... 202030425262.9
- (51) **LOC (13) Cl.** ..... **07-02**
- (52) **U.S. Cl.**  
USPC ..... **D7/326**
- (58) **Field of Classification Search**  
USPC ..... D7/323, 326-327, 368, 509, 510, 523, D7/601, 602, 605, 608; D9/500, 504  
CPC ..... A01J 9/08; A23L 3/10; A47J 27/04; A47J 27/004; A47J 36/24; A47J 36/2411; A47J 36/2416; A47J 36/2433; A47J 36/2438; A47J 39/00; A47J 39/006; A47J 41/00; A61J 9/00; A61J 11/008; B65D 81/3205; B65D 81/3222; B65D 81/3876; H05B 3/0004  
See application file for complete search history.

- (56) **References Cited**  
U.S. PATENT DOCUMENTS  
3,432,641 A \* 3/1969 Welke ..... A47J 36/2433 219/415  
7,798,346 B2 \* 9/2010 Nelson ..... B65D 81/3205 220/23.6

- 7,992,735 B2 \* 8/2011 Bullard ..... B65D 81/3222 215/11.1
- 8,028,847 B2 \* 10/2011 Klaver ..... A61J 9/00 215/11.1
- 9,289,356 B2 \* 3/2016 Farber ..... A61J 11/008
- 2012/0064470 A1 \* 3/2012 Delattre ..... A47J 36/2433 219/386

\* cited by examiner

*Primary Examiner* — Ricky Pham

(57) **CLAIM**

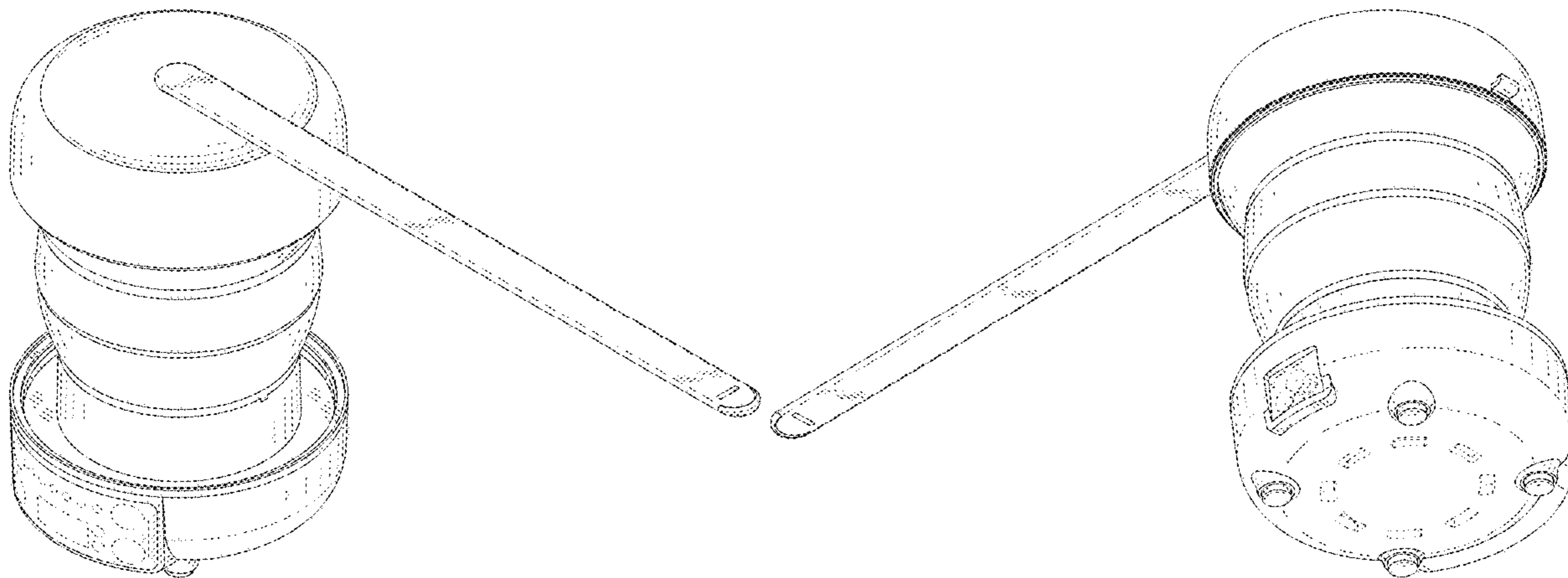
The ornamental design for a baby foldable bottle warmer, as shown and described.

**DESCRIPTION**

FIG. 1 is a first perspective view of a baby foldable bottle warmer showing my new design;  
 FIG. 2 is a second perspective view thereof;  
 FIG. 3 is a front view thereof;  
 FIG. 4 is a back view thereof;  
 FIG. 5 is a left side view thereof;  
 FIG. 6 is a right side view thereof;  
 FIG. 7 is a top view thereof;  
 FIG. 8 is a bottom view thereof;  
 FIG. 9 is a perspective view of another state of the baby foldable bottle warmer thereof; and,  
 FIG. 10 is an enlarged view of the selected portion in FIG. 4.

The broken lines shown in the drawings depict portions of the baby foldable bottle warmer in which the design is embodied that form no part of the claimed design.

**1 Claim, 10 Drawing Sheets**



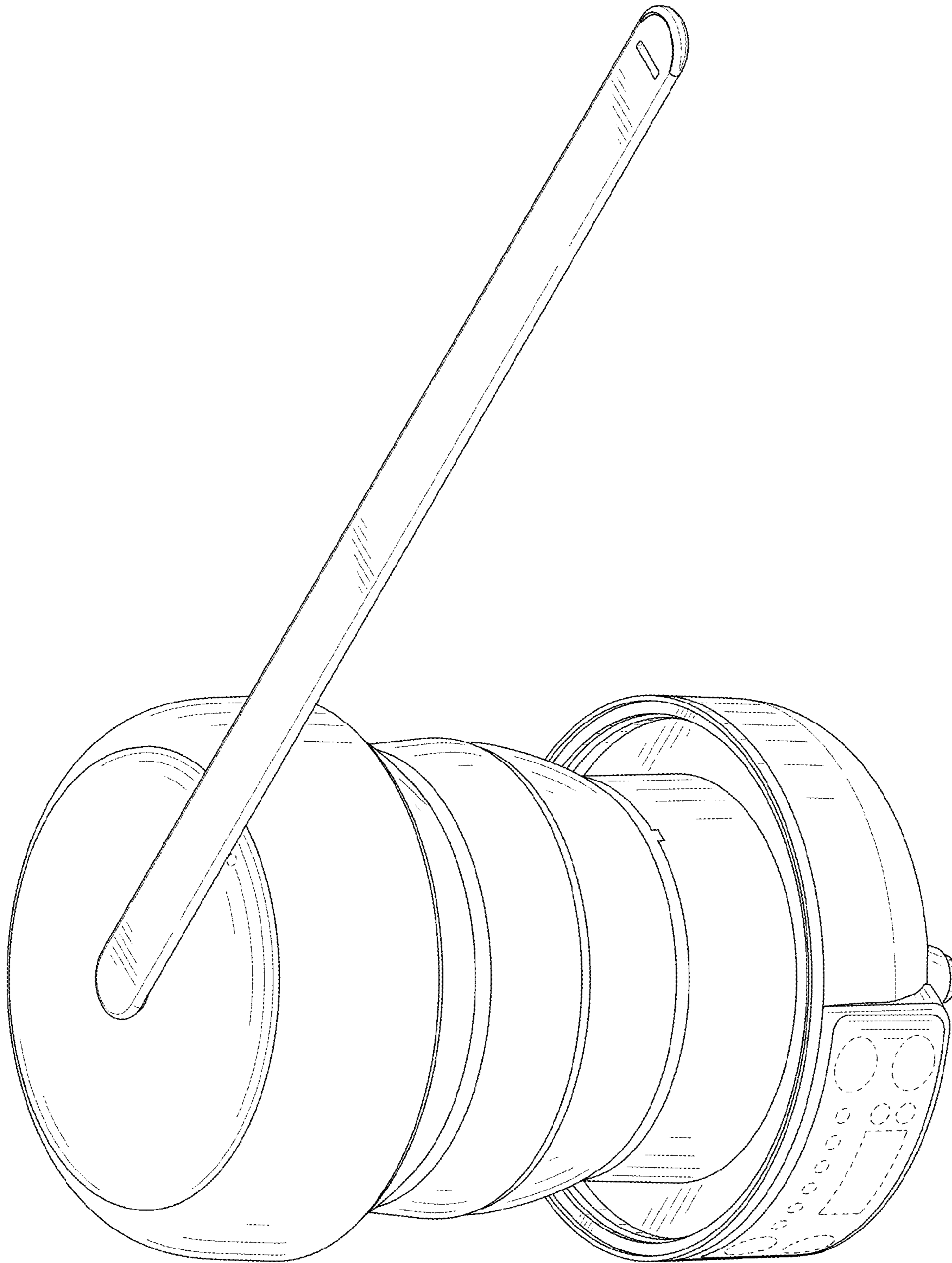


FIG. 1

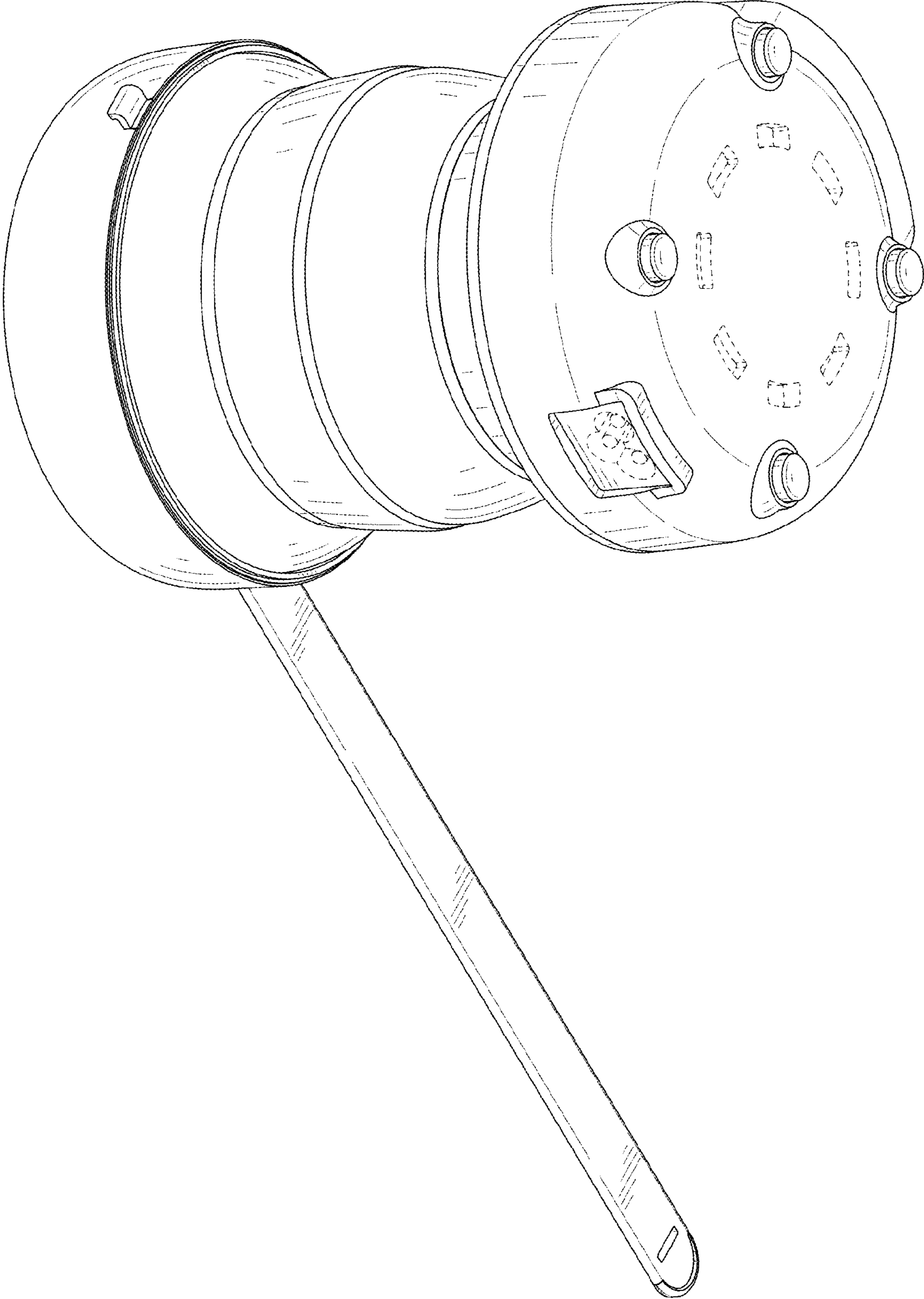


FIG. 2

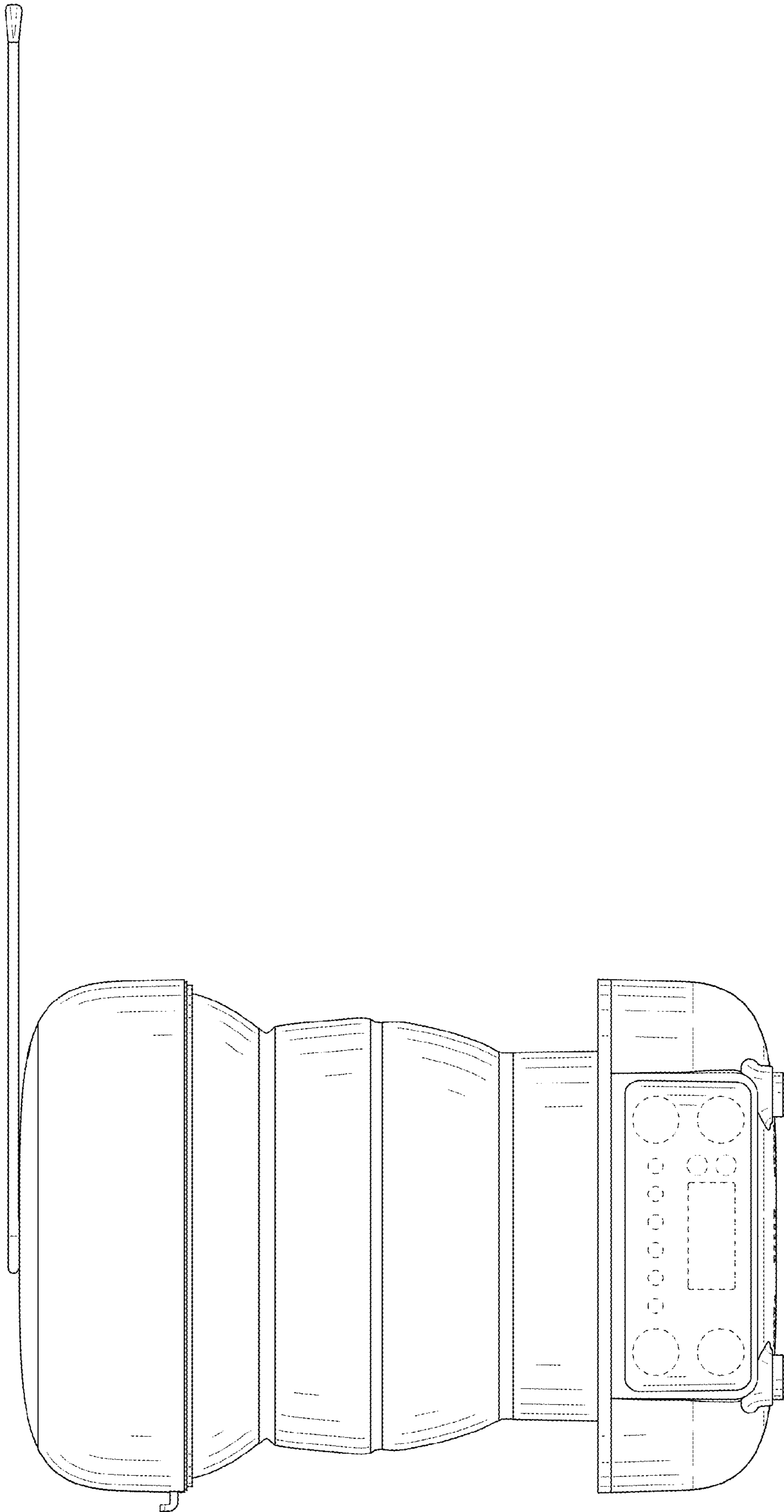


FIG. 3



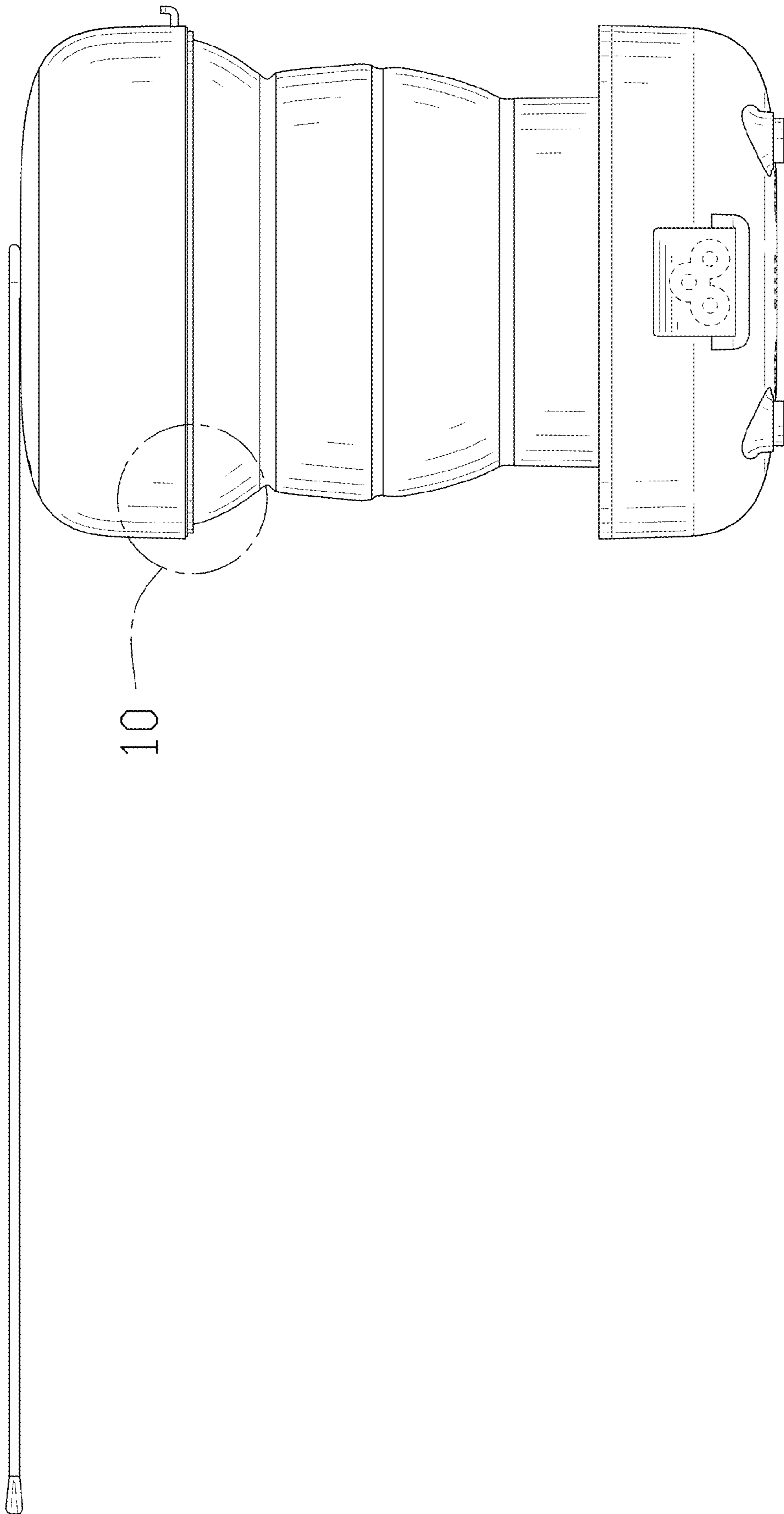


FIG. 4

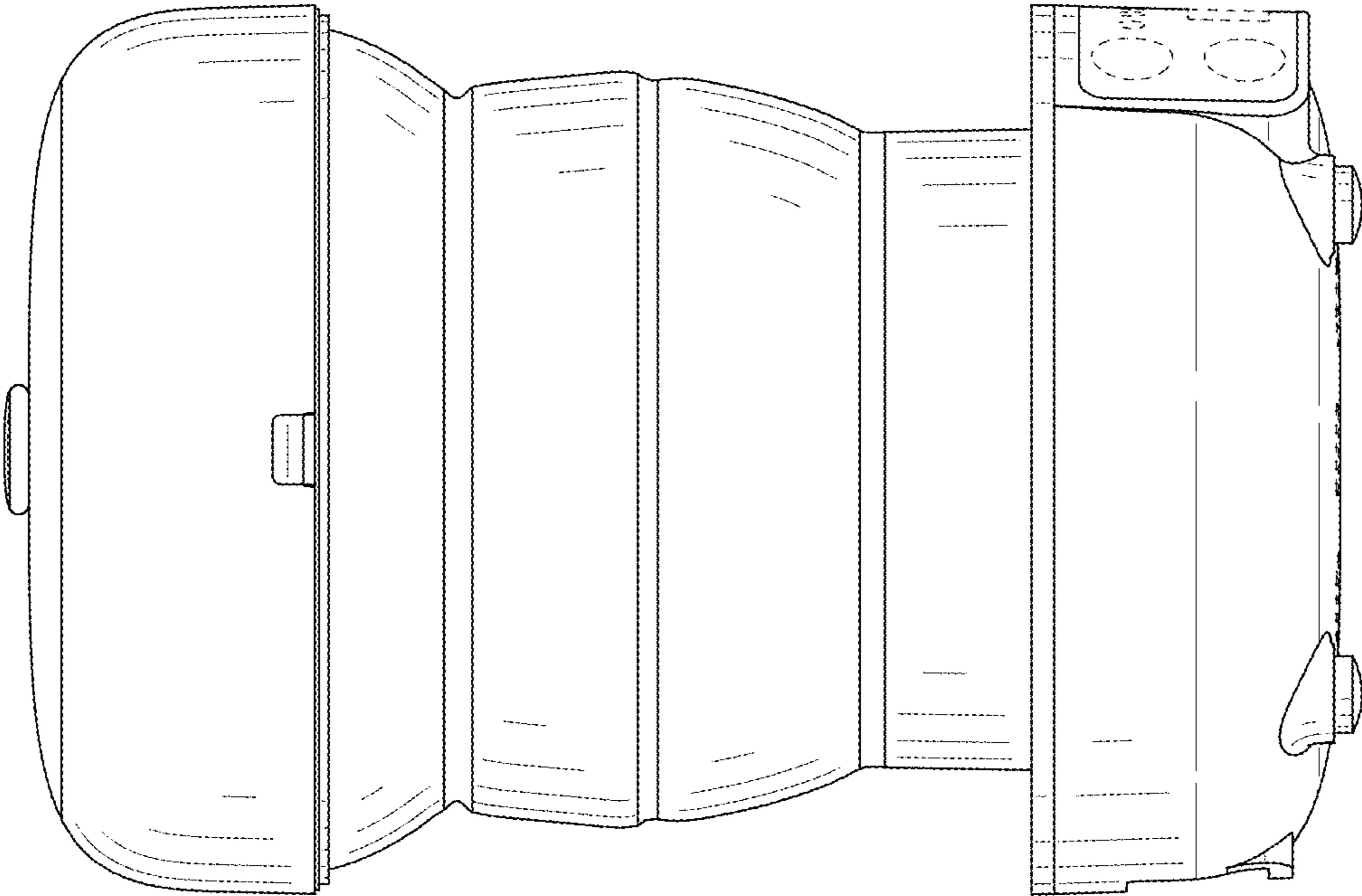


FIG. 5

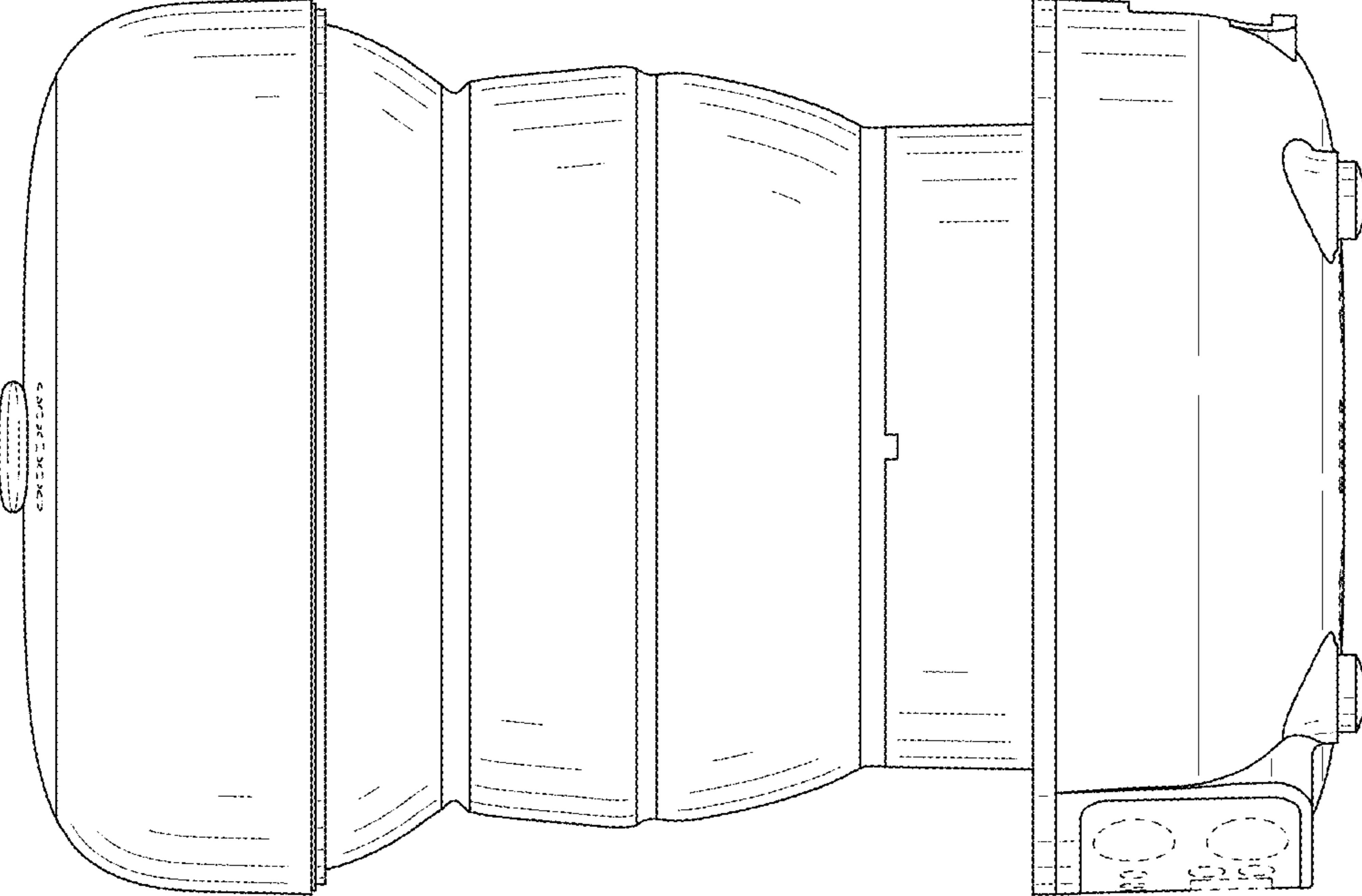


FIG. 6

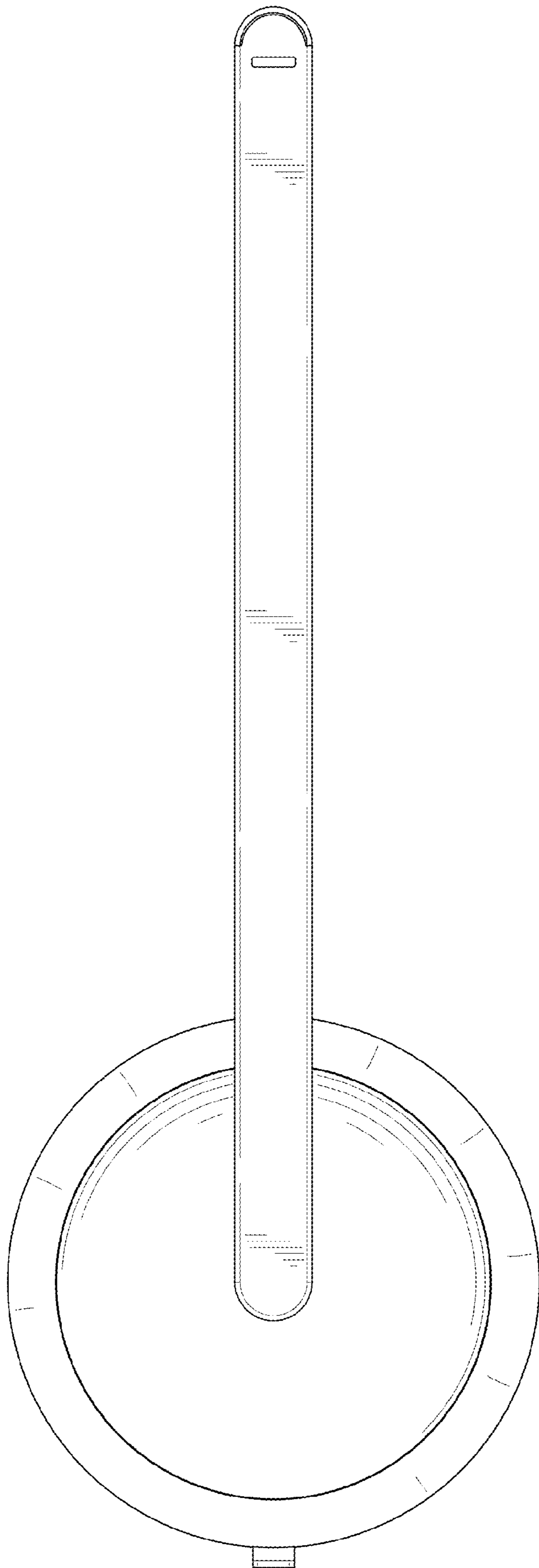


FIG. 7



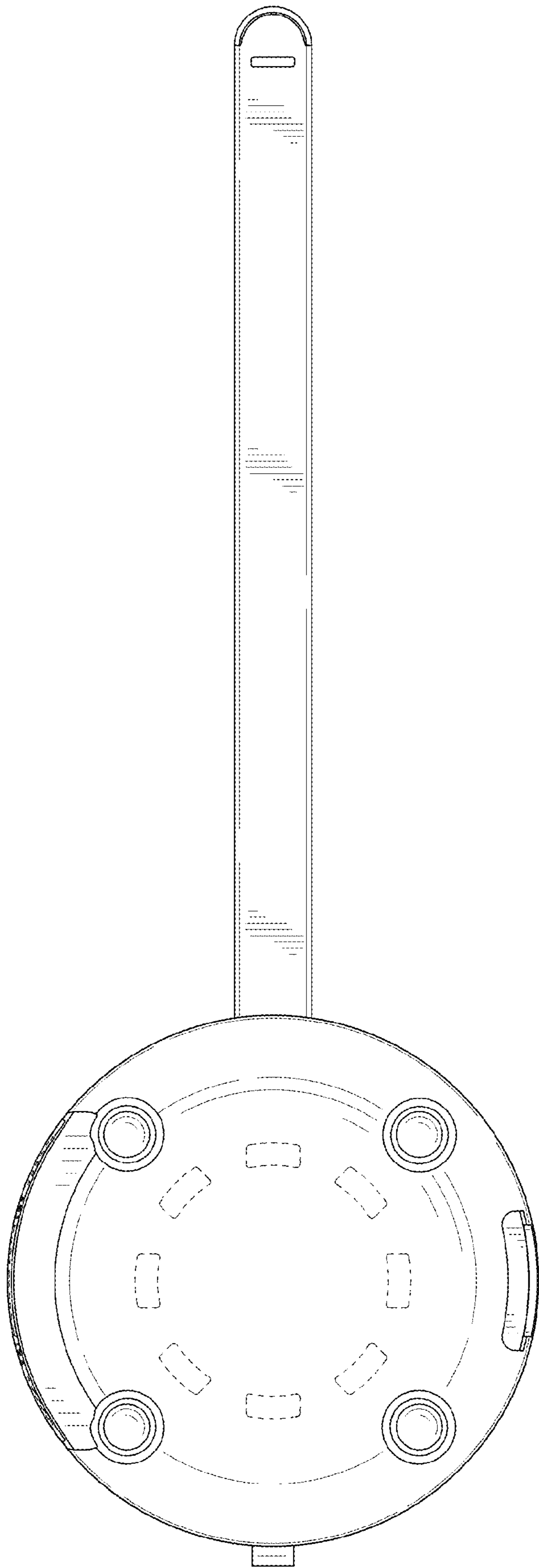


FIG. 8

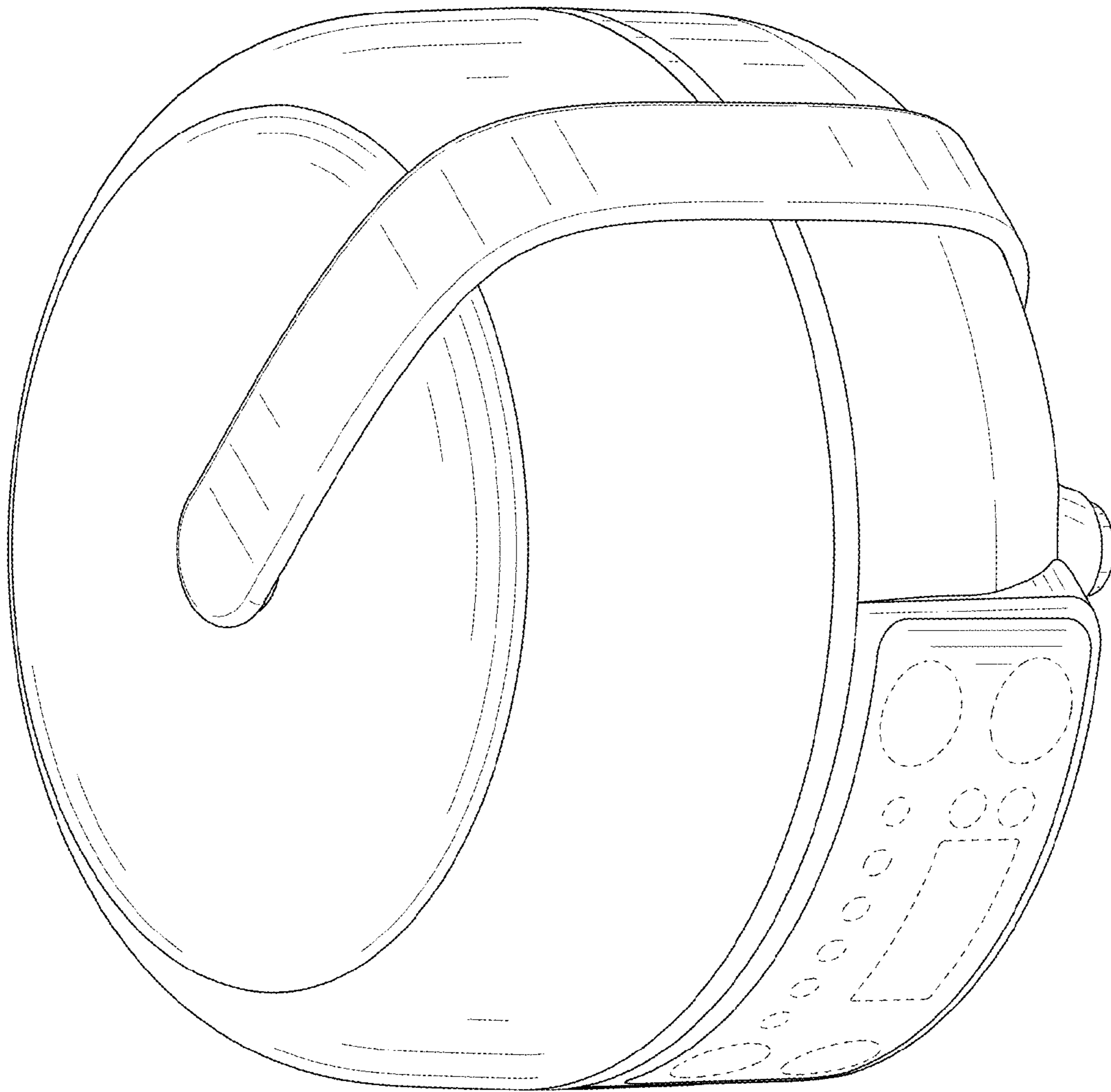


FIG. 9

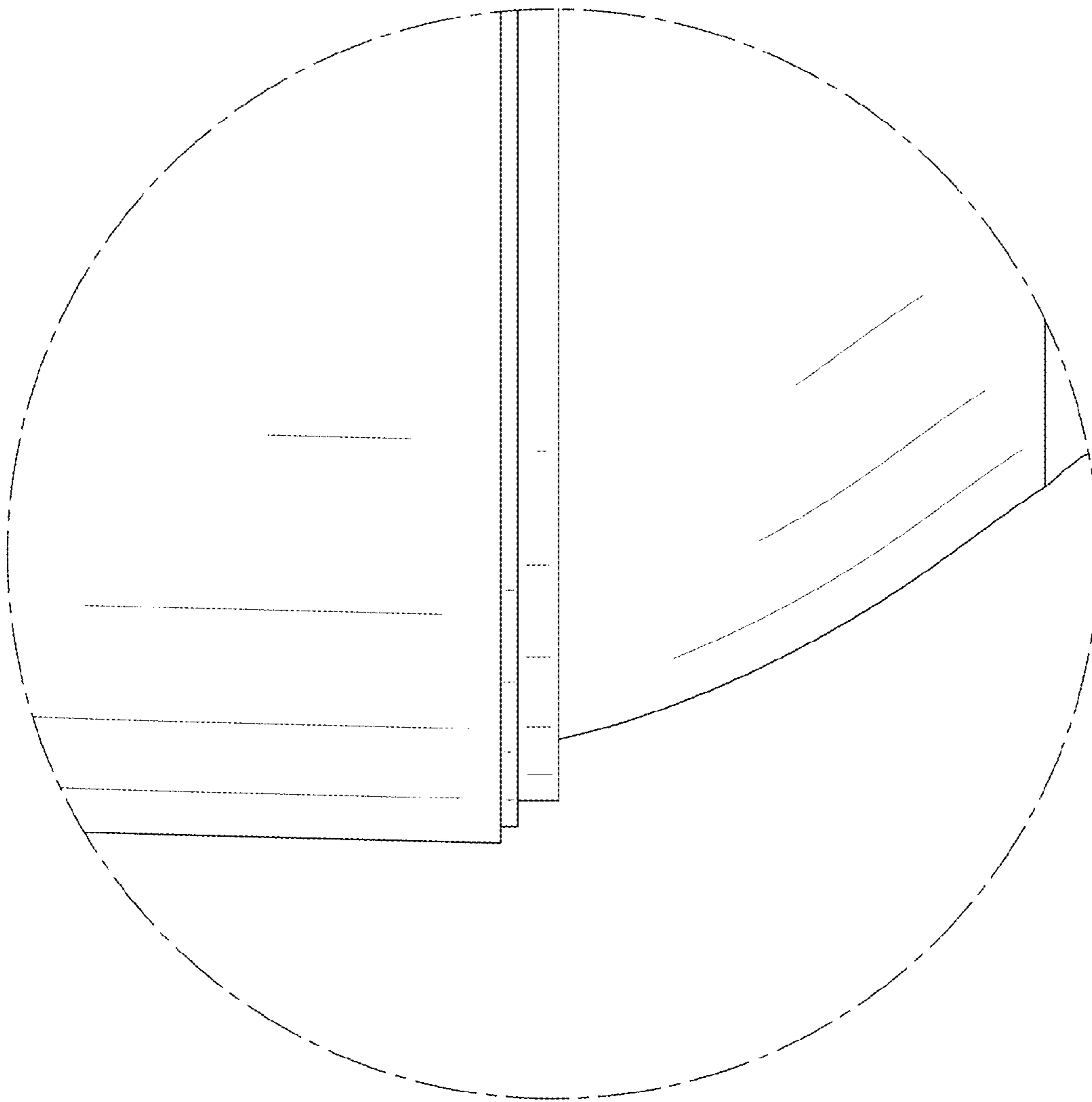


FIG. 10