



US00D968150S

(12) **United States Design Patent** (10) **Patent No.:** **US D968,150 S**
Brook et al. (45) **Date of Patent:** **** Nov. 1, 2022**

(54) **KETTLE**

D454,026 S * 3/2002 Bodum D7/320
D478,767 S * 8/2003 Lebowitz D7/322
D525,071 S * 7/2006 Lebowitz A47G 19/14
D7/312

(71) Applicant: **Sunbeam Products, Inc.**, Boca Raton,
FL (US)

(Continued)

(72) Inventors: **Nick Brook**, Sale (GB); **Noel Disbury**,
Manchester (GB); **Stewart Gordon**,
Cheadle (GB); **Mark Skinner**,
Manchester (GB)

FOREIGN PATENT DOCUMENTS

CN 301497744 * 3/2011 A47J 27/212
CN 304603591 * 5/2018

(Continued)

(73) Assignee: **Sunbeam Products, Inc.**, Boca Raton,
FL (US)

OTHER PUBLICATIONS

(**) Term: **15 Years**

“Morphy Richards Electric Kettle Evoke Special Edition,” Sep. 1,
2018, Amazon.co.uk, www.amazon.co.uk/Morphy-Richards-Electric-
Special-100103/dp/B07H1XBB28 (Year: 2018).*

(21) Appl. No.: **29/726,926**

(Continued)

(22) Filed: **Mar. 6, 2020**

(51) **LOC (13) Cl.** **07-01**

(52) **U.S. Cl.**

USPC **D7/319**; D7/317

(58) **Field of Classification Search**

USPC D3/202; D7/300, 302, 305, 312,
D7/316–319, 320, 321, 322, 376–378,
D7/392, 392.1, 393, 394, 396.2, 396.6,
D7/413, 415, 511, 534, 548, 608, 619.1,
D7/622, 629; D9/443, 532, 907;
D10/46.2

CPC ... A47G 19/14; A47J 2202/00; A47J 2203/00;
A47J 27/21041; A47J 31/18

See application file for complete search history.

Primary Examiner — Joseph Kukella

Assistant Examiner — Arva P Adams

(74) *Attorney, Agent, or Firm* — Husch Blackwell LLP

(57)

CLAIM

The ornamental design for a kettle, as shown and described.

DESCRIPTION

FIG. 1 is a perspective view of a kettle showing the new
design;

FIG. 2 is a front elevation view of the kettle of FIG. 1;

FIG. 3 is a left side elevation view of the kettle shown in
FIG. 1, the right side view being a mirror image thereof;

FIG. 4 is a rear elevation view of the kettle shown in FIG.
1;

FIG. 5 is a top plan view of the kettle shown in FIG. 1;

FIG. 6 is a bottom plan view of the kettle shown in FIG. 1;
and,

FIG. 7 is a perspective view of the kettle shown in FIG. 1,
exploded from its base.

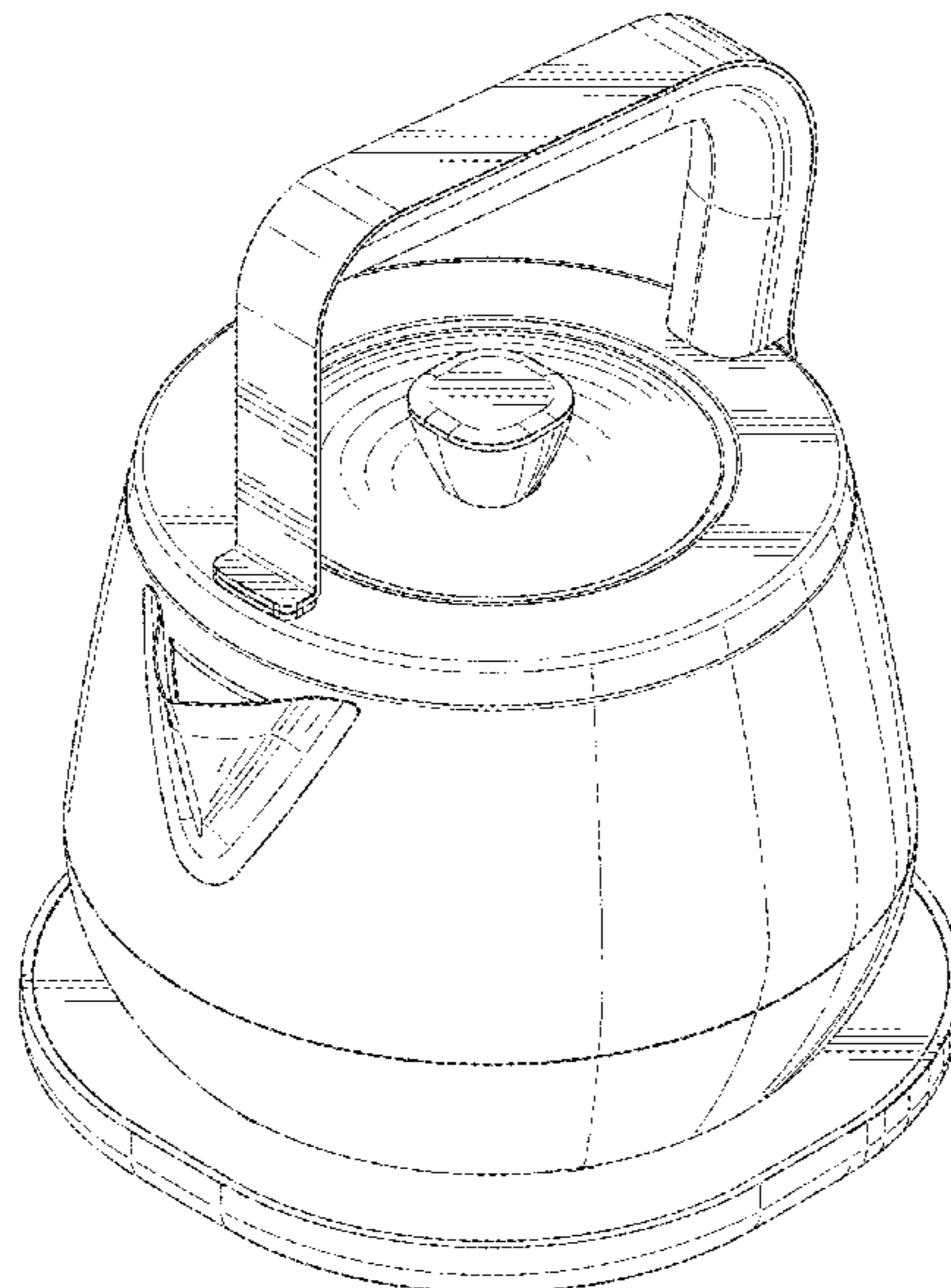
The broken lines in the figures illustrate unclaimed envi-
ronment and form no part of the claimed design.

(56) **References Cited**

U.S. PATENT DOCUMENTS

4,181,071 A * 1/1980 Outlaw A47G 19/14
D7/320
D276,120 S * 10/1984 Solomon D7/312
D364,991 S * 12/1995 Lee D7/322
D432,851 S * 10/2000 Hoff D7/320

1 Claim, 7 Drawing Sheets



(56)

References Cited

U.S. PATENT DOCUMENTS

D575,094 S * 8/2008 Lebowitz D7/312
D584,561 S * 1/2009 Ljunggren D7/322
D602,305 S * 10/2009 Papiernik D7/322
D675,474 S * 2/2013 de Klein D7/320

FOREIGN PATENT DOCUMENTS

CN 306575369 * 6/2021
EM 005521663-0001 * 8/2018
WO WO-2015137935 A1 * 9/2015 A47J 27/21

OTHER PUBLICATIONS

Kewalram and Sons, Facebook image of Fakir Hausgeraete Goldie Electric Kettle, May 20, 2019, Facebook, www.facebook.com/kewalramandsons/photos/pcb.1043559699187348/1043559629187355/ (Year: 2019).*

Sunbeam, "Kyoto City Collection 1,5L Pot Kettle Black," Accessed Jun. 17, 2022, Sunbeam, www.sunbeam.com.au/kitchen-and-home/kettles-and-toasters/kettles/kyoto-city-collection-pot-kettle?colour=black (Year: 2022).*

* cited by examiner

FIG. 1

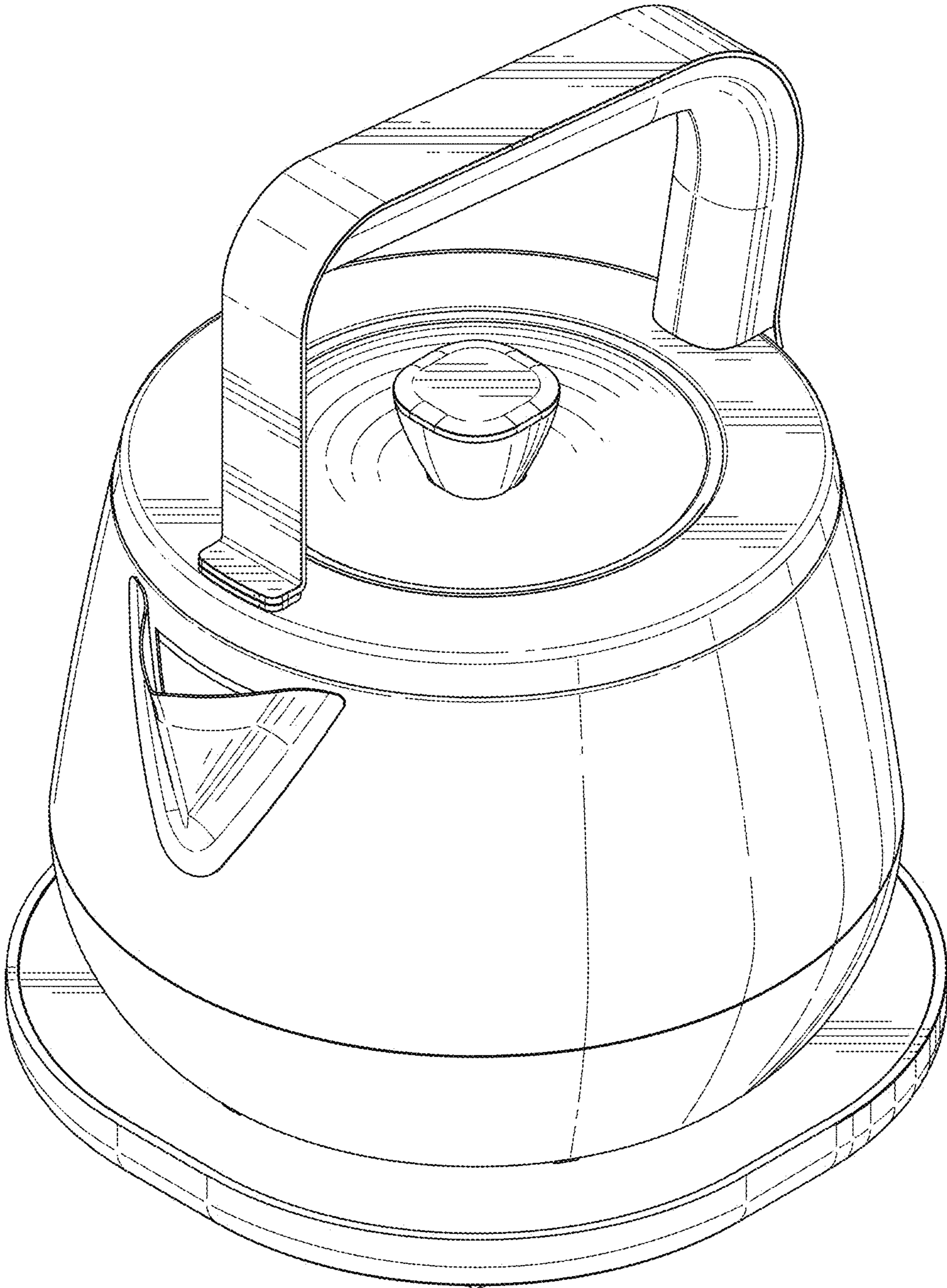


FIG. 2

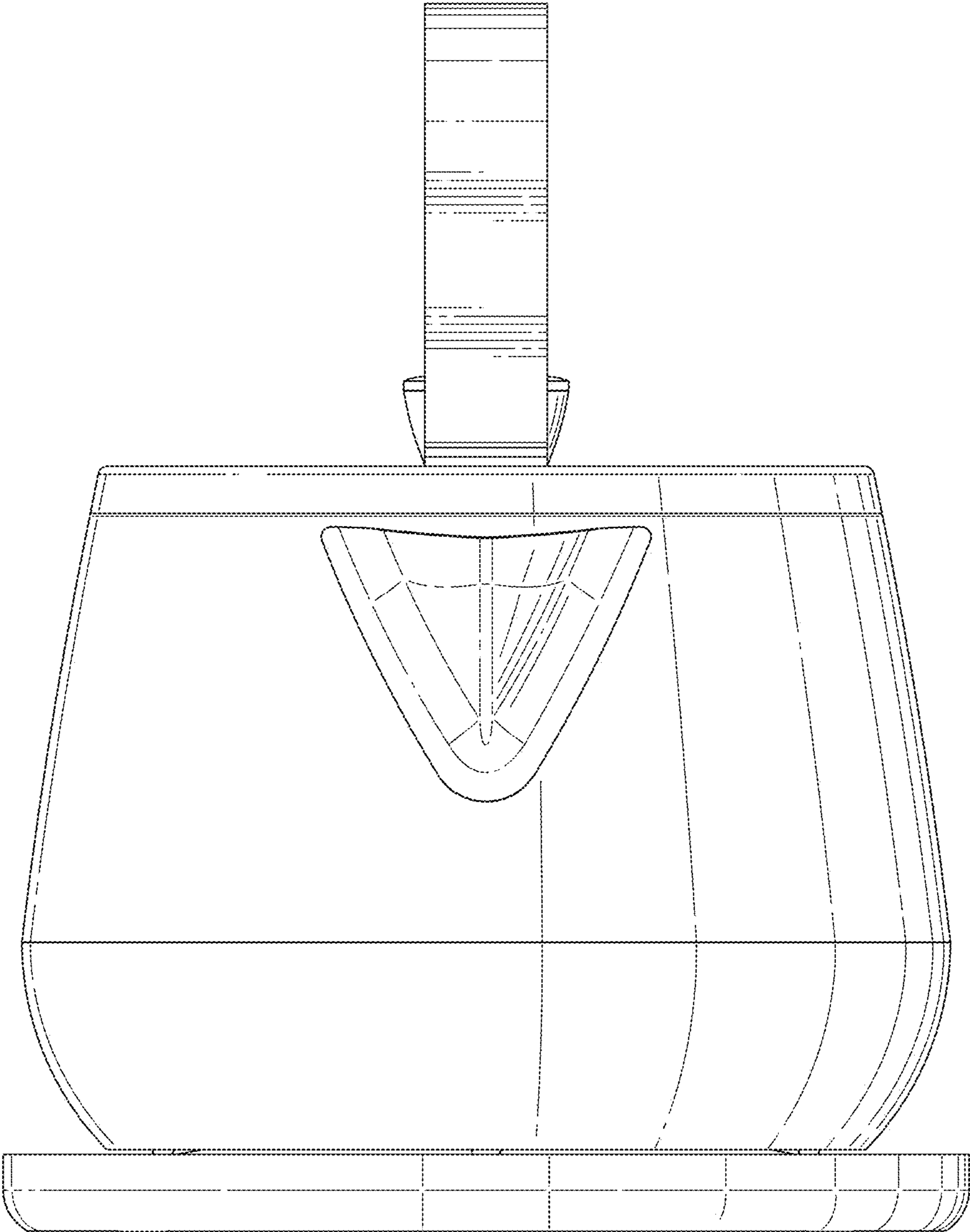


FIG. 3

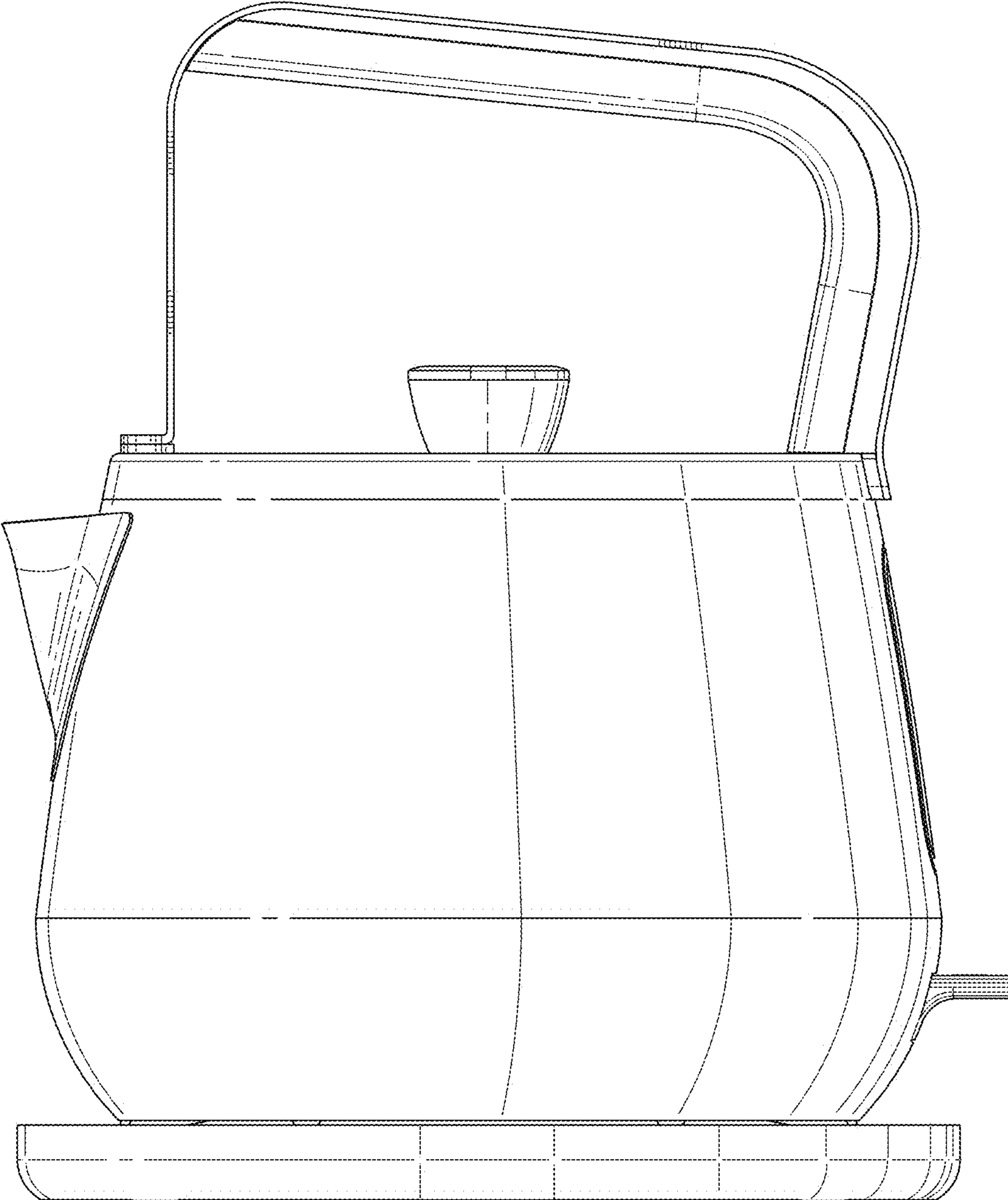


FIG. 4

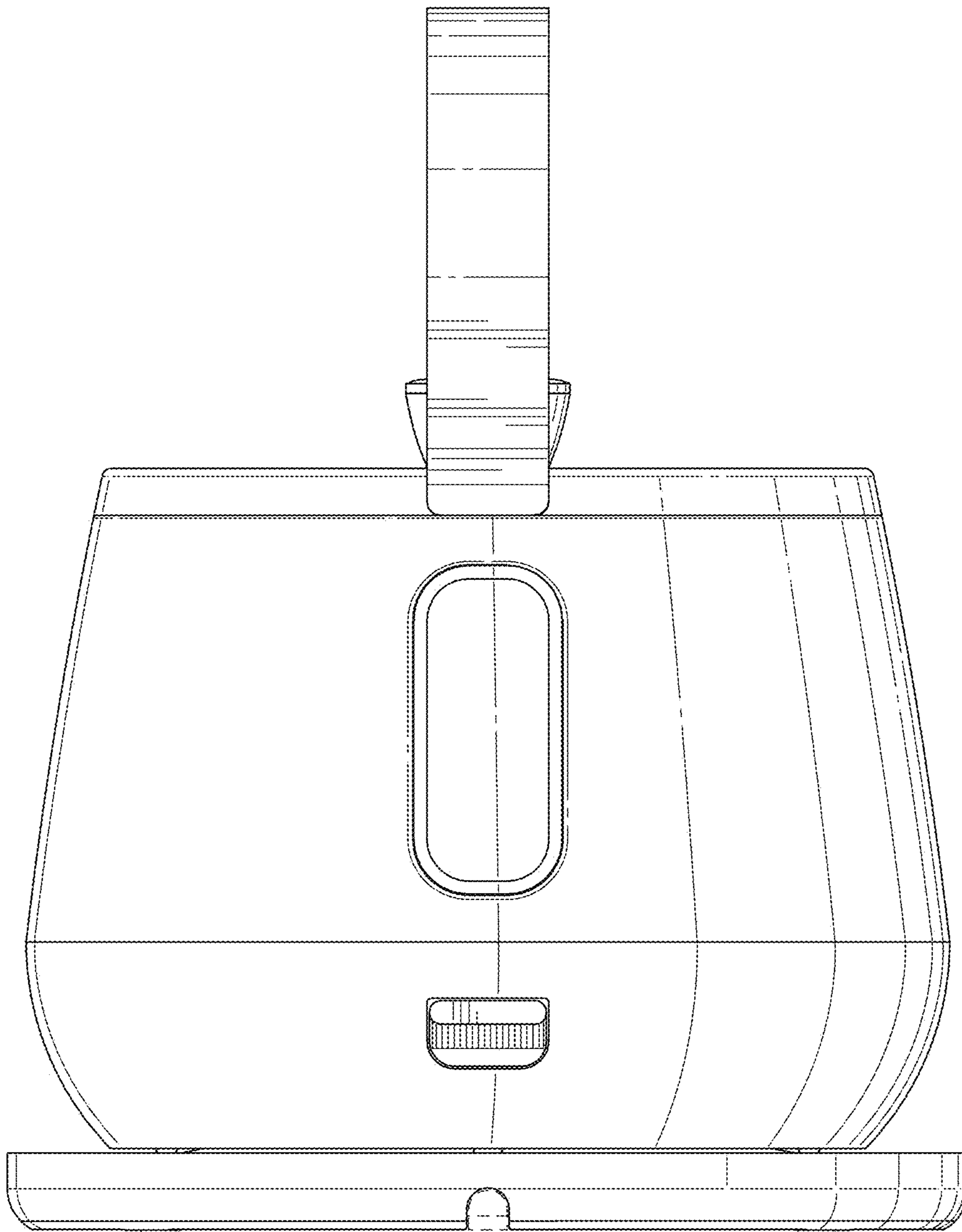


FIG. 5

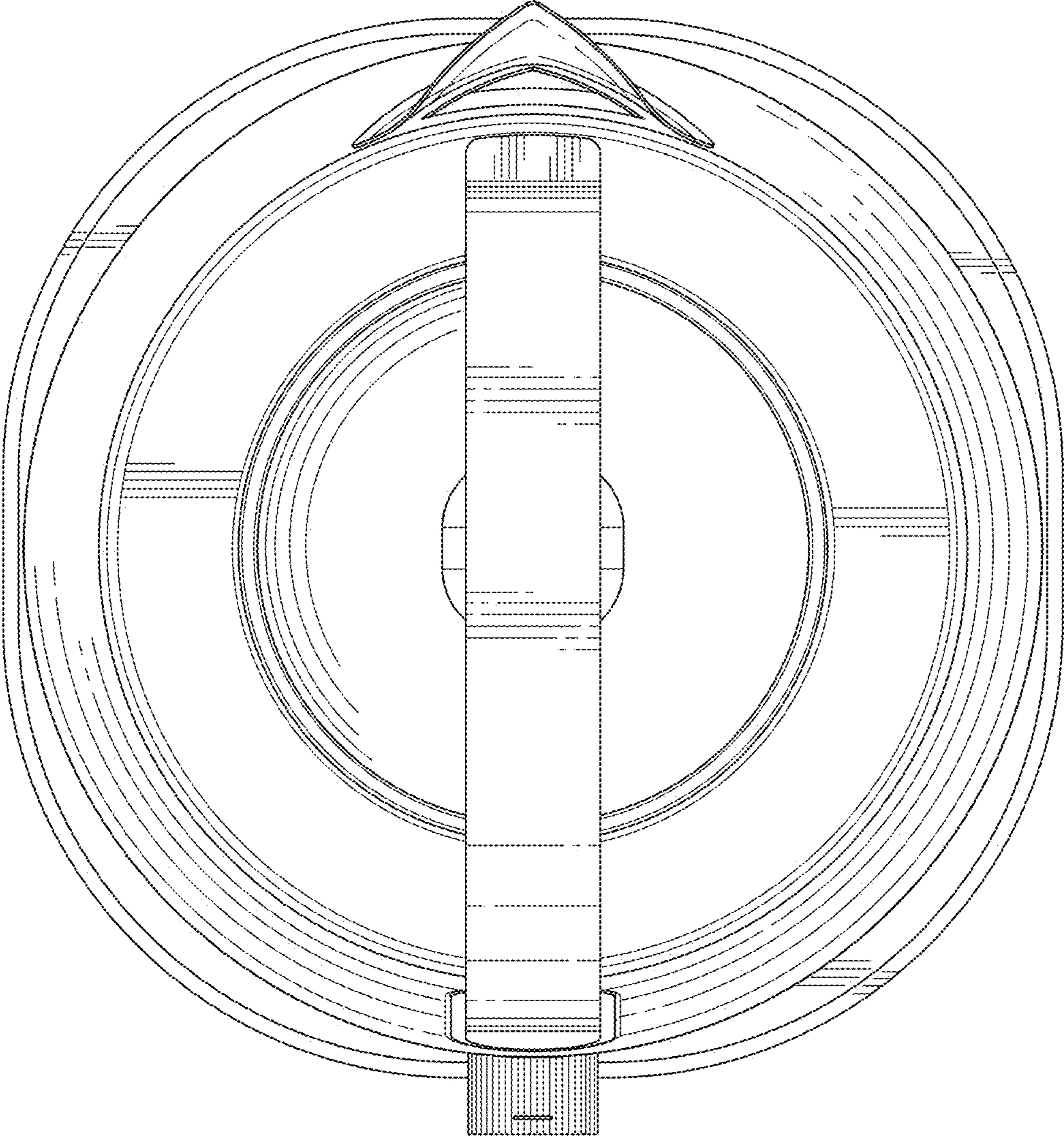


FIG. 6

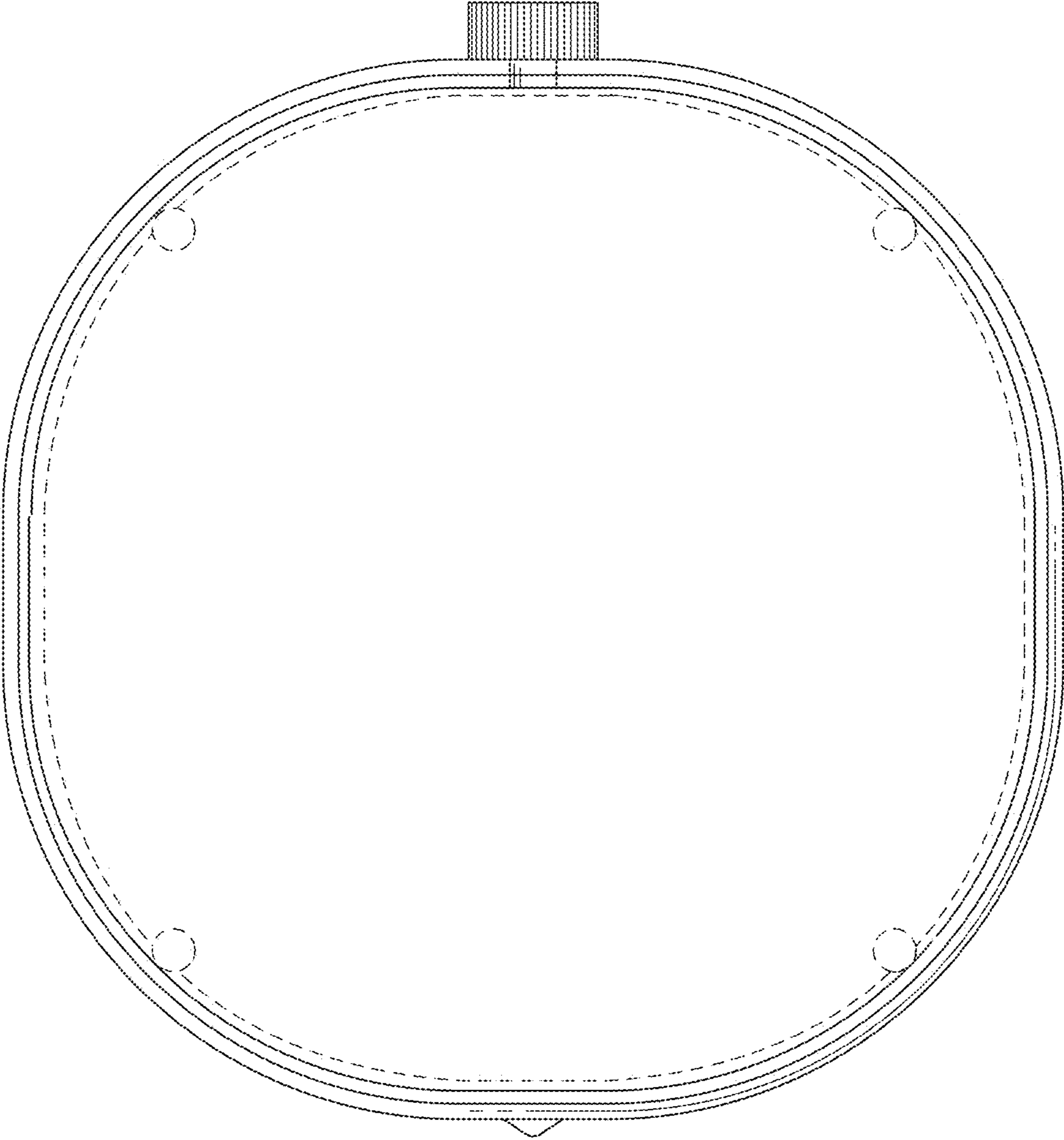


FIG. 7

