



US00D968146S

(12) **United States Design Patent** (10) **Patent No.:** **US D968,146 S**  
**Ellis** (45) **Date of Patent:** **\*\* Nov. 1, 2022**

(54) **COLD BREW COFFEE MAKER BASE WITH CARAFE**

FOREIGN PATENT DOCUMENTS

(71) Applicant: **National Presto Industries, Inc.**, Eau Claire, WI (US)

CN 303022299 \* 12/2014  
CN 304632187 \* 5/2018

(Continued)

(72) Inventor: **Brent T. Ellis**, Altoona, WI (US)

OTHER PUBLICATIONS

(73) Assignee: **National Presto Industries, Inc.**, Eau Claire, WI (US)

Amazon.com, "Presto 02937 Dorothy Electric Rapid Cold Brewer," May 29, 2020, Amazon.com, www.amazon.com/Presto-02937-DorothyTM-rapid-brewer/dp/B089B6D4P9 (Year: 2020).\*

(\*\*) Term: **15 Years**

(Continued)

(21) Appl. No.: **29/793,015**

*Primary Examiner* — Joseph Kukella

(22) Filed: **Aug. 28, 2019**

*Assistant Examiner* — Arva P Adams

(51) **LOC (13) Cl.** ..... **07-01**

(57) **CLAIM**

(52) **U.S. Cl.**  
USPC ..... **D7/310; D7/319**

I claim the ornamental design for cold brew coffee maker base with carafe, as shown and described.

(58) **Field of Classification Search**  
USPC ..... D7/300, 302, 305, 310, 312, 316-319,  
D7/326, 376, 378, 380, 386, 413, 415,  
D7/665

**DESCRIPTION**

CPC ..... A23F 5/26; A47J 31/38; A47J 31/4403;  
A47J 31/467; A47J 43/07; A47J 43/0727

See application file for complete search history.

FIG. 1 is a top, front perspective view of a cold brew coffee maker base with carafe of the present invention.

(56) **References Cited**

U.S. PATENT DOCUMENTS

D439,791 S \* 4/2001 Vignao' ..... D7/322  
D553,426 S \* 10/2007 Lin ..... D7/378  
D567,568 S \* 4/2008 Bodum ..... D7/319  
D588,857 S \* 3/2009 Bodum ..... D7/319  
D629,643 S \* 12/2010 Bower ..... A47J 31/38  
D728,302 S \* 5/2015 Vu ..... A47J 43/07  
9,648,979 B1 \* 5/2017 Ryan ..... A47J 31/38  
D815,886 S \* 4/2018 Huang ..... D7/378  
D816,395 S \* 5/2018 Huang ..... D7/378

FIG. 2 is a front view of the cold brew coffee maker base with carafe depicted in FIG. 1.

FIG. 3 is a top view of the cold brew coffee maker base with carafe depicted in FIG. 1.

FIG. 4 is a bottom view of the cold brew coffee maker base with carafe depicted in FIG. 1.

FIG. 5 is a left, side view of the cold brew coffee maker base with carafe depicted in FIG. 1.

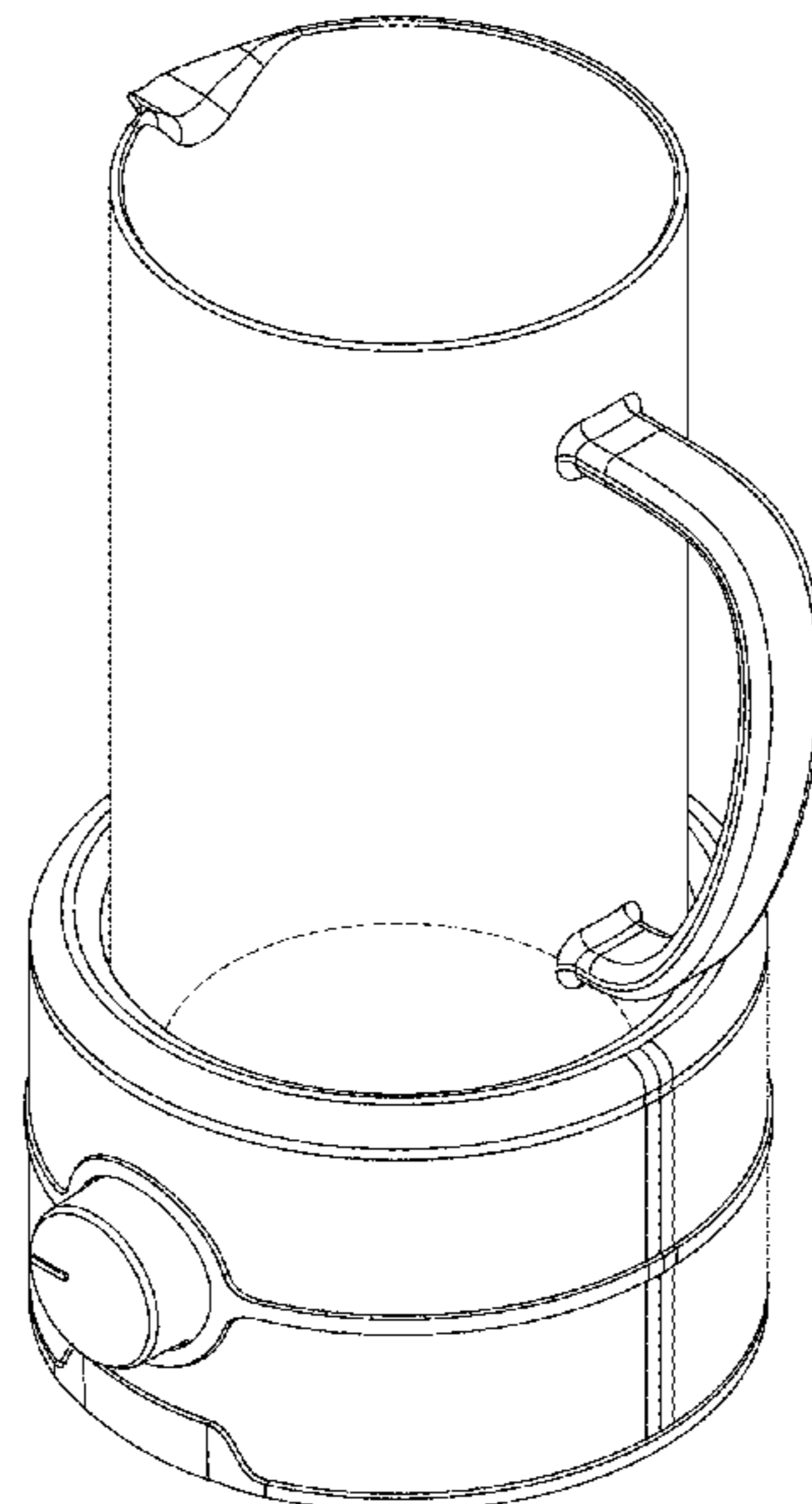
FIG. 6 is a rear view of the cold brew coffee maker base with carafe depicted in FIG. 1; and,

FIG. 7 is a right, side view of the cold brew coffee maker base with carafe depicted in FIG. 1.

The broken lines in the drawings illustrate portions of the combined cold brew coffee maker base with carafe that form no part of the claimed design.

(Continued)

**1 Claim, 7 Drawing Sheets**



(56)

**References Cited**

U.S. PATENT DOCUMENTS

D817,080 S \* 5/2018 Seidl ..... A47J 43/25  
D7/377  
D833,804 S \* 11/2018 Huang ..... A47J 43/046  
D7/378  
2011/0024537 A1\* 2/2011 Gonzalez ..... A47J 43/046  
215/11.1  
2016/0130052 A1\* 5/2016 Stenglein ..... A47J 43/07  
220/212

FOREIGN PATENT DOCUMENTS

EM 007715602-0001 \* 5/2020  
KR 301015249.0000 \* 7/2019

OTHER PUBLICATIONS

Miller, Korin, "15 Of The Best Deals At Walmart's Big Save Event," Oct. 11, 2020, Forbes.com, [www.forbes.com/sites/forbes-personal-shopper/2020/10/11/walmart-big-save-event-2020-best-deals/?sh=620dcdf2131](http://www.forbes.com/sites/forbes-personal-shopper/2020/10/11/walmart-big-save-event-2020-best-deals/?sh=620dcdf2131) (Year: 2020).\*

\* cited by examiner

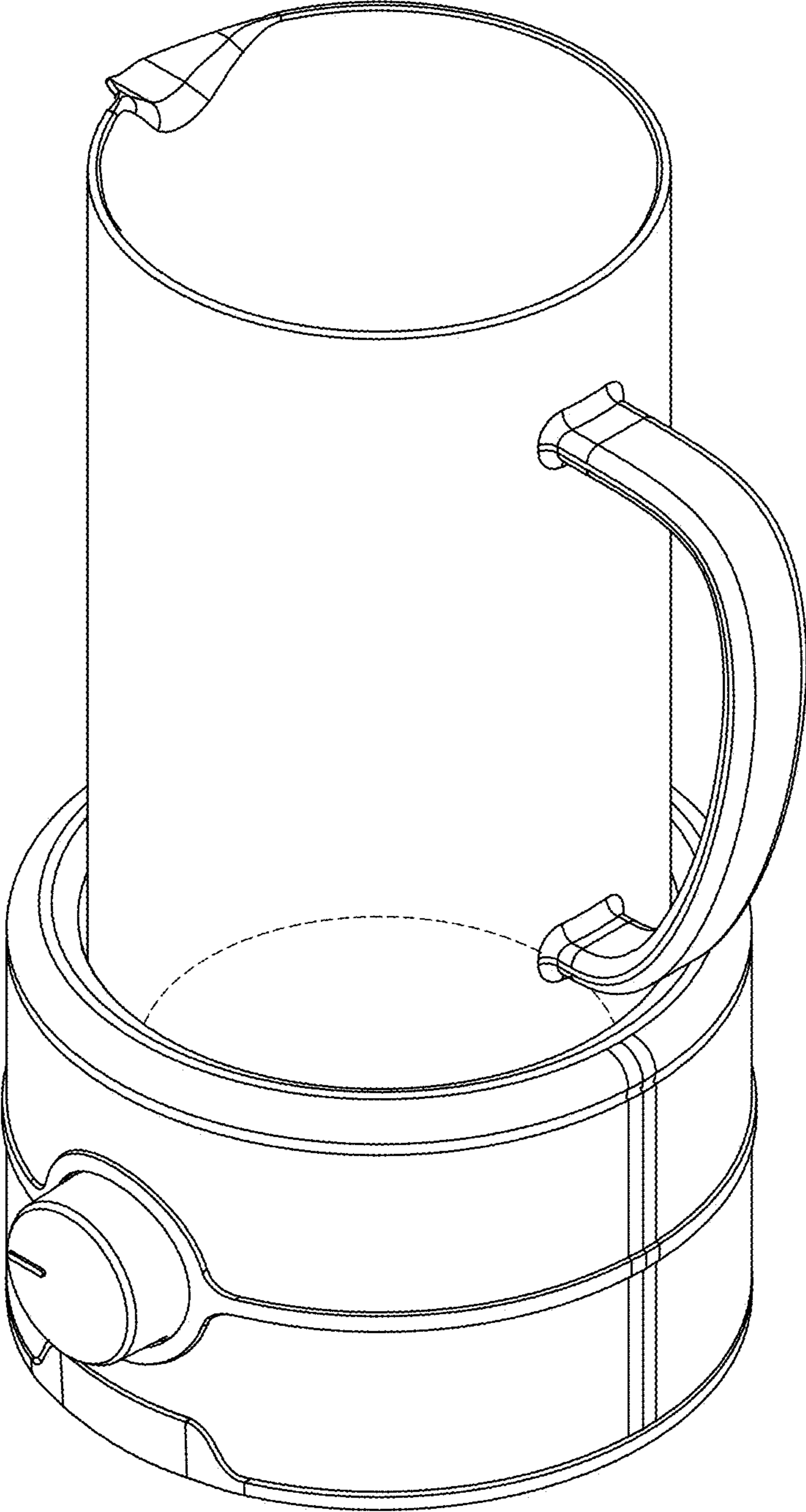


Fig. 1

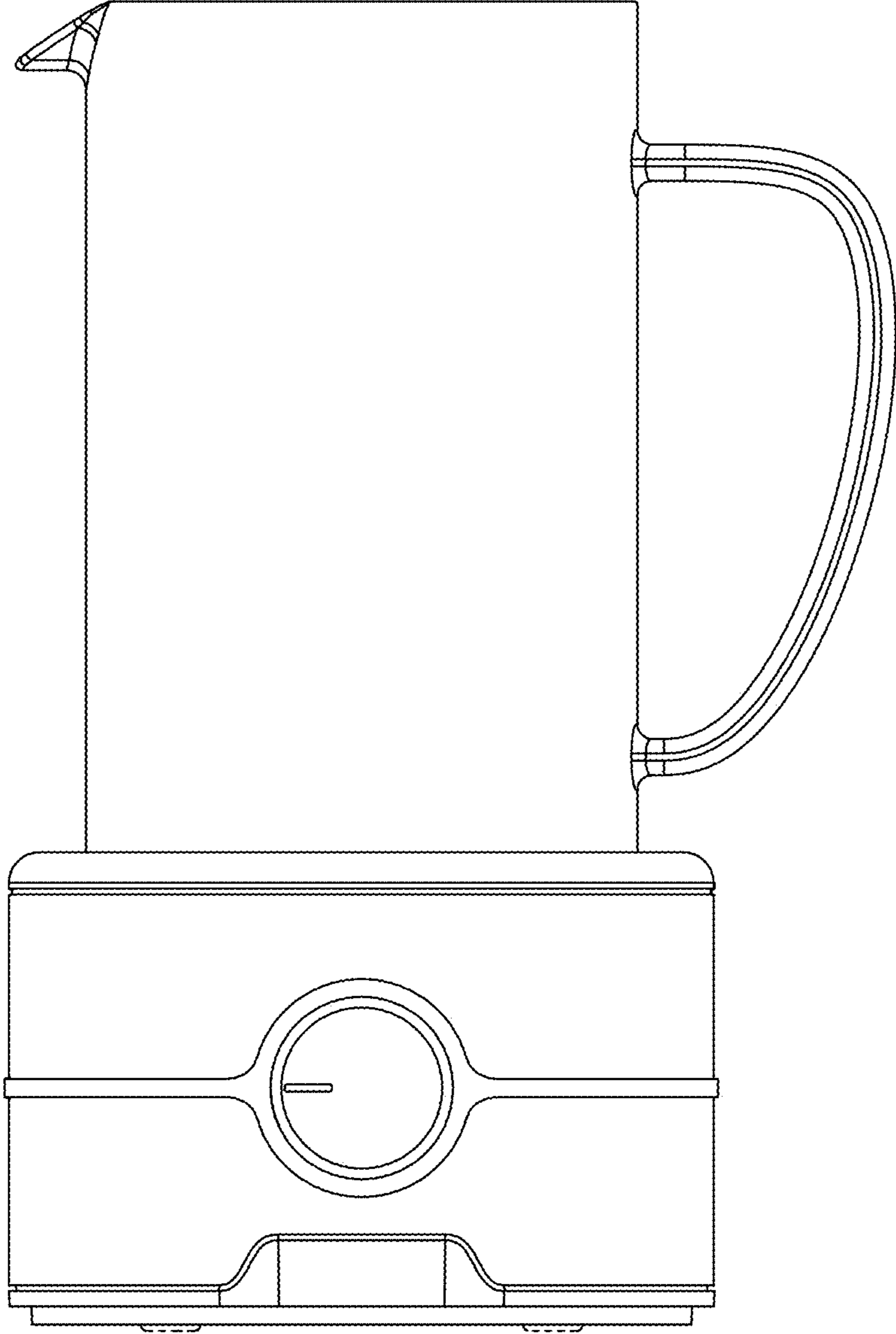


Fig. 2

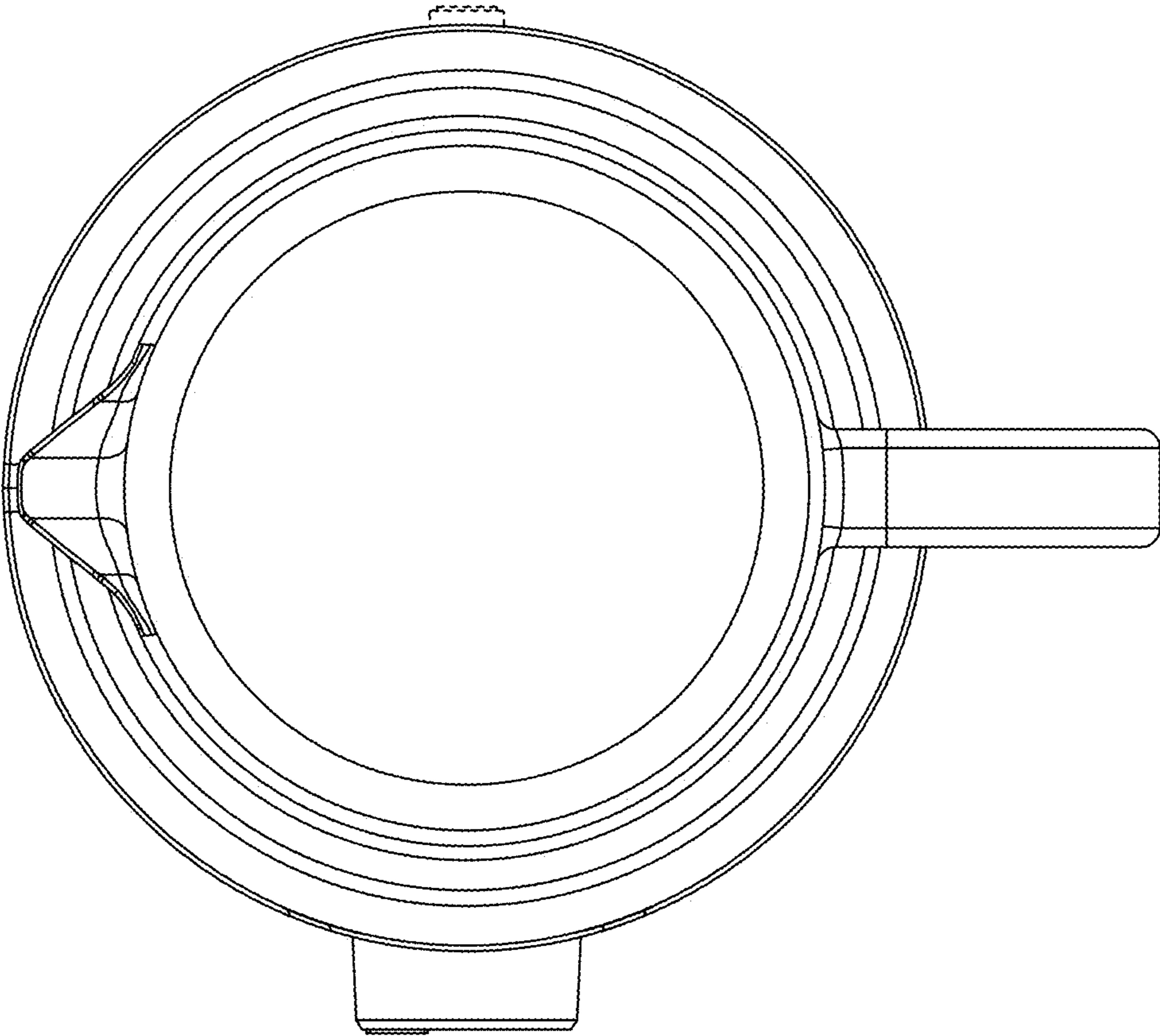


Fig. 3

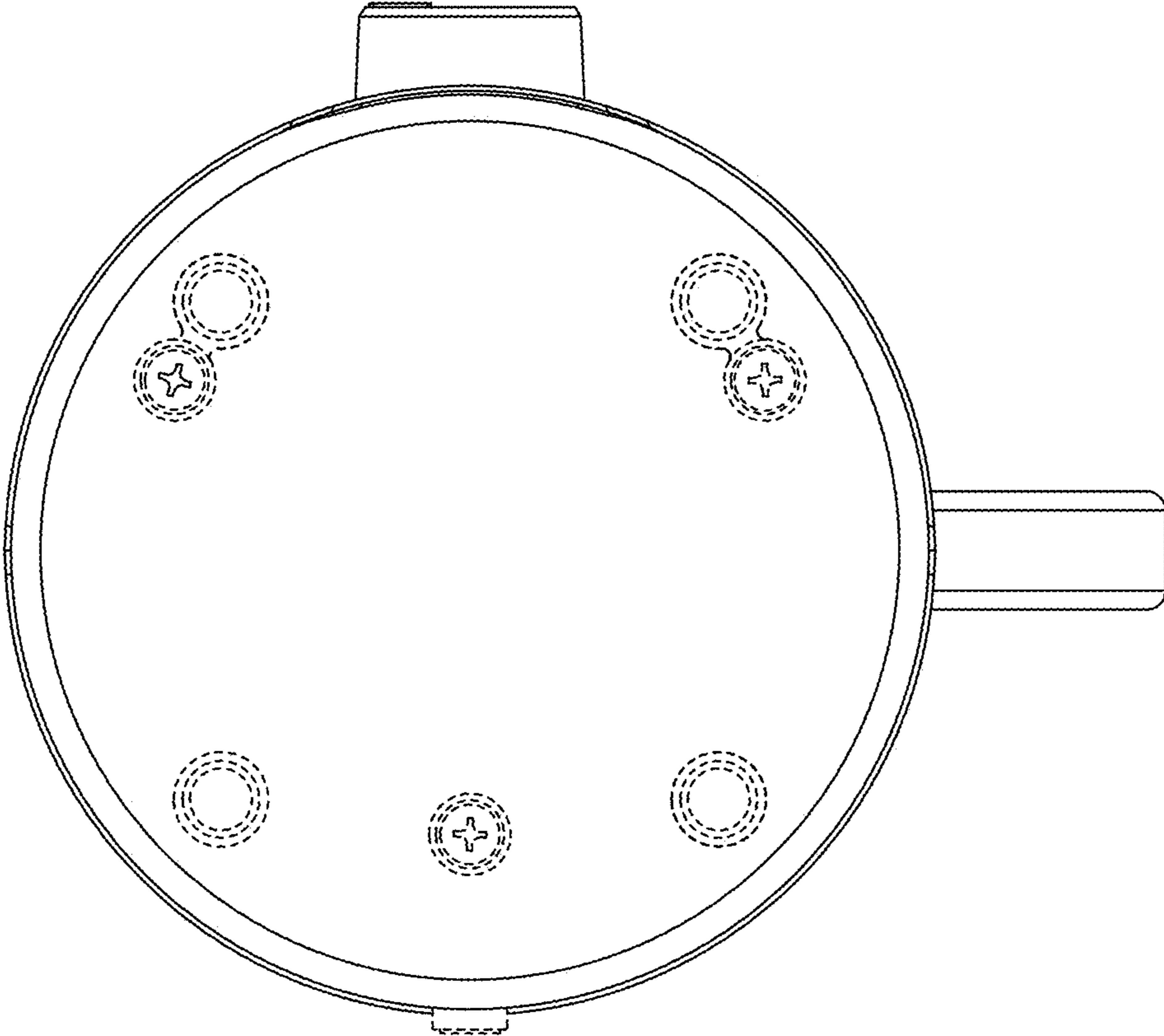


Fig. 4

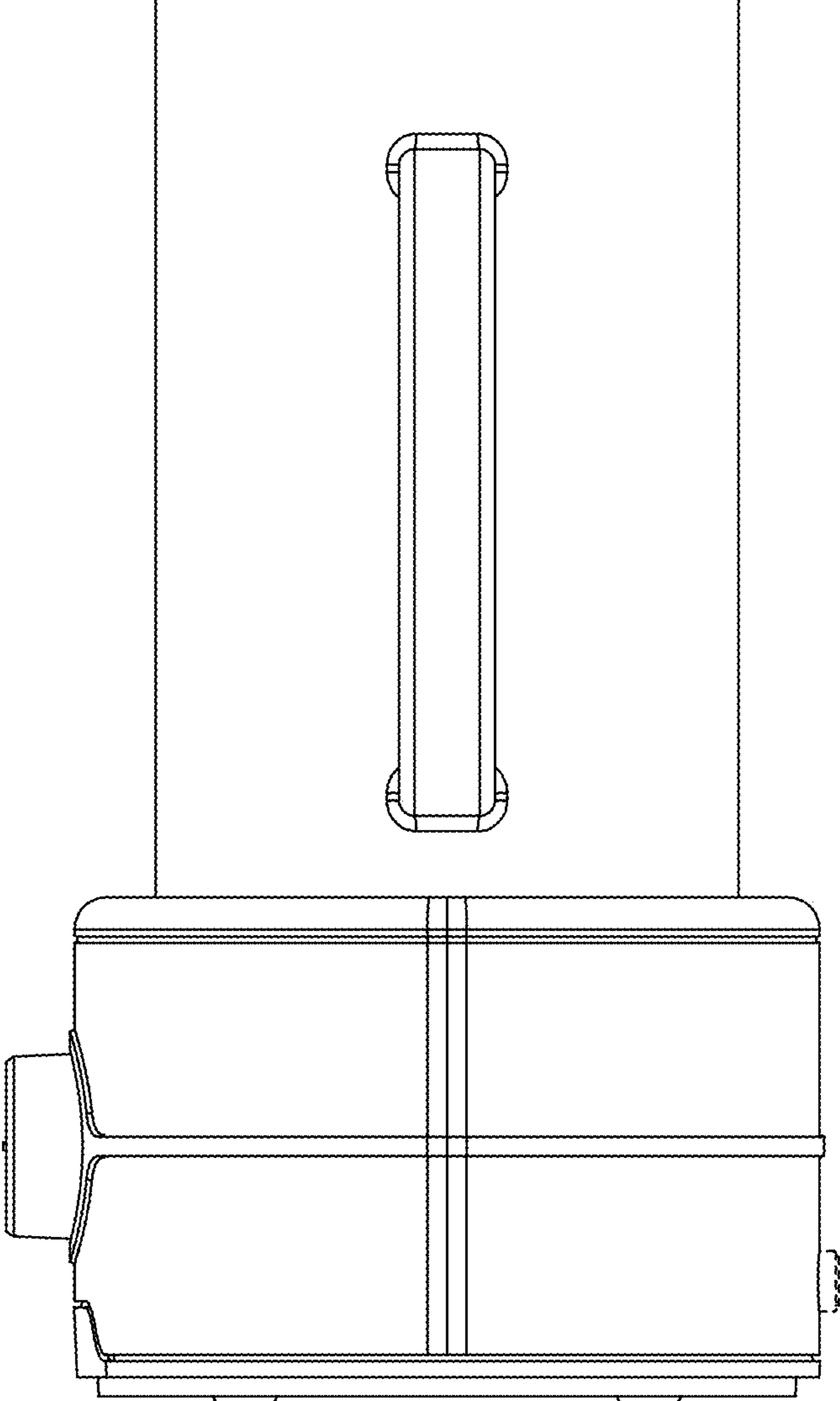


Fig. 5

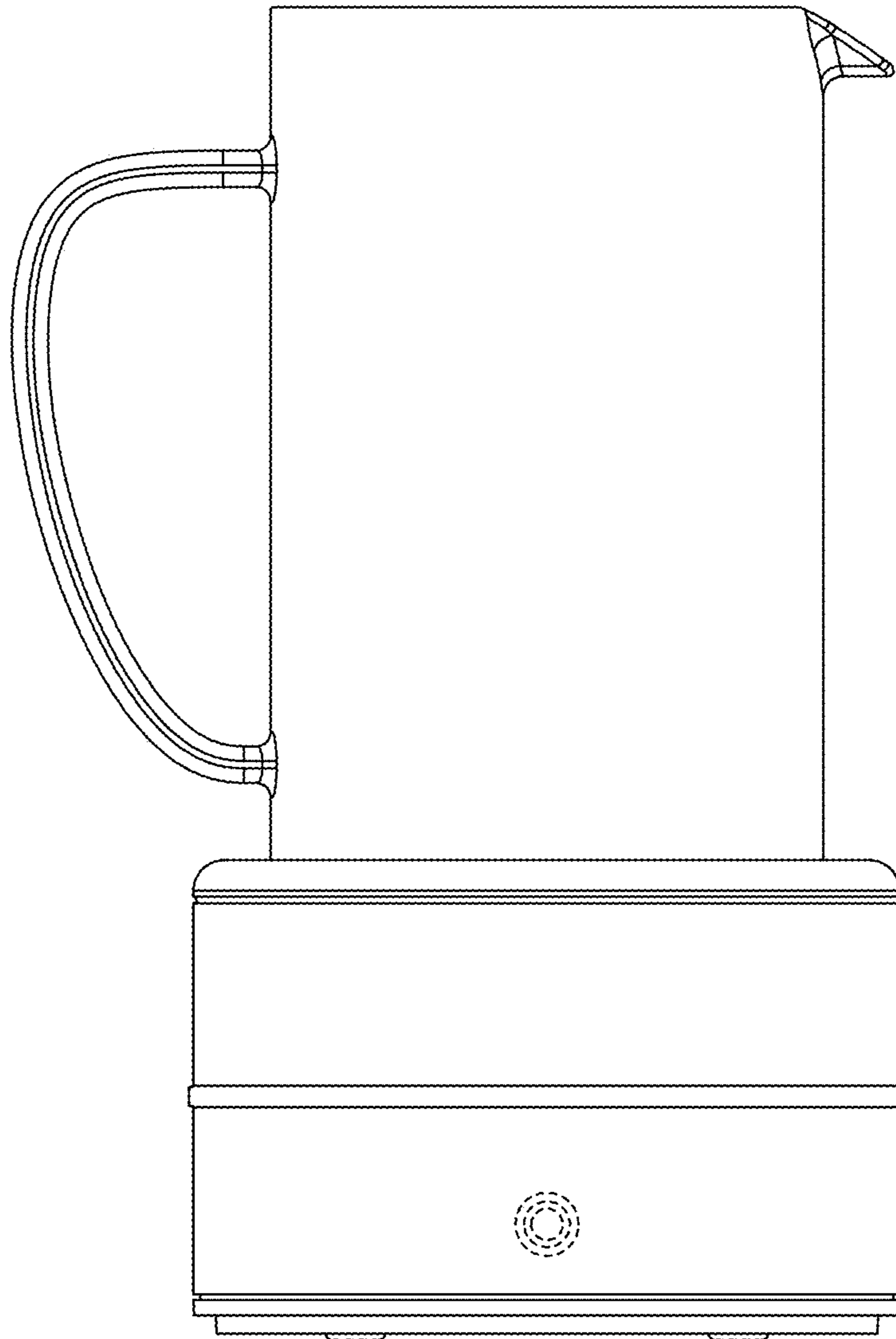


Fig. 6



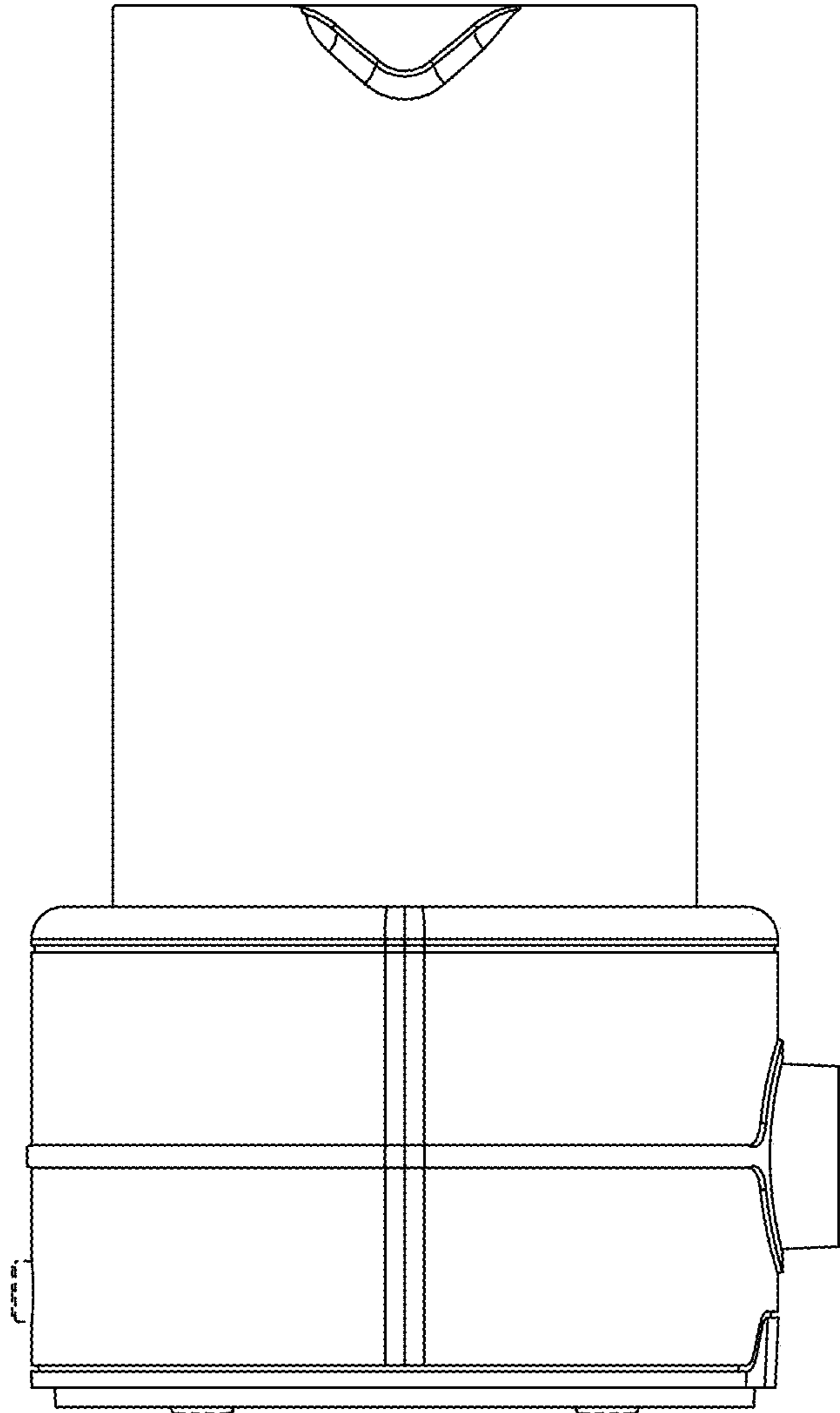


Fig. 7