

US00D968145S

(12) **United States Design Patent** (10) **Patent No.:** **US D968,145 S**
Avigdor et al. (45) **Date of Patent:** **** Nov. 1, 2022**

(54) **SODA-WATER PREPARING DEVICE**
(71) Applicant: **SODASTREAM INDUSTRIES LTD.**,
Kfar Saba (IL)
(72) Inventors: **Amit Avigdor**, Tel Aviv (IL); **Oded Gov**, Tel Aviv (IL); **Mel Bergman**, Tel Aviv (IL); **Doron Krom**, Zichron Yaakov (IL); **Michael Tsinzovsky**, Holon (IL); **Hagai Harduff**, Binyamina (IL); **Yossi Haviv**, Kiryat Malachi (IL)
(73) Assignee: **SODASTREAM INDUSTRIES LTD.**,
Kfar Saba (IL)

(**) Term: **15 Years**

(21) Appl. No.: **35/511,699**

(22) Filed: **Mar. 22, 2021**

(80) **Hague Agreement Data**

Int. Filing Date: **Mar. 22, 2021**

Int. Reg. No.: **DM/213552**

Int. Reg. Date: **Mar. 22, 2021**

Int. Reg. Pub. Date: **Apr. 16, 2021**

(30) **Foreign Application Priority Data**

Sep. 24, 2020 (IL) 65675

(51) **LOC (13) Cl.** **07-01**

(52) **U.S. Cl.**
USPC **D7/306**

(58) **Field of Classification Search**

USPC D7/300, 306, 365, 376, 392, 392.1,
D7/396.2, 507, 509, 510, 511, 607, 665,
D7/666, 313, 589; D9/434, 435, 439,
D9/440, 443, 450

CPC B65D 1/06; A47J 31/407
See application file for complete search history.

(56) **References Cited**

U.S. PATENT DOCUMENTS

D328,220	S	*	7/1992	Barnard	D7/313
D341,746	S	*	11/1993	Stillson	D20/4
D345,085	S	*	3/1994	Sewell	D7/589
D349,830	S	*	8/1994	Barr	D20/1
D375,431	S	*	11/1996	Credle, Jr.	D7/311
D376,949	S	*	12/1996	Barriault	D7/619.1
D391,802	S	*	3/1998	Wong	D7/378
D531,851	S	*	11/2006	Steiner	D7/376
D681,385	S	*	5/2013	Ring	D7/311

(Continued)

OTHER PUBLICATIONS

YouTube.com—Sodastream Schweiz channel, SodaStream Art—How to use FR, Publication date Oct. 1, 2021, [site visited Mar. 14, 2022], Available on the Internet URL <https://www.youtube.com/watch?v=BQrx0aQ1uSo> (Year: 2021).*

(Continued)

Primary Examiner — S. Bryan Reinholdt, Jr.

(74) *Attorney, Agent, or Firm* — Pearl Cohen Zedek Latzer Baratz LLP

(57) **CLAIM**

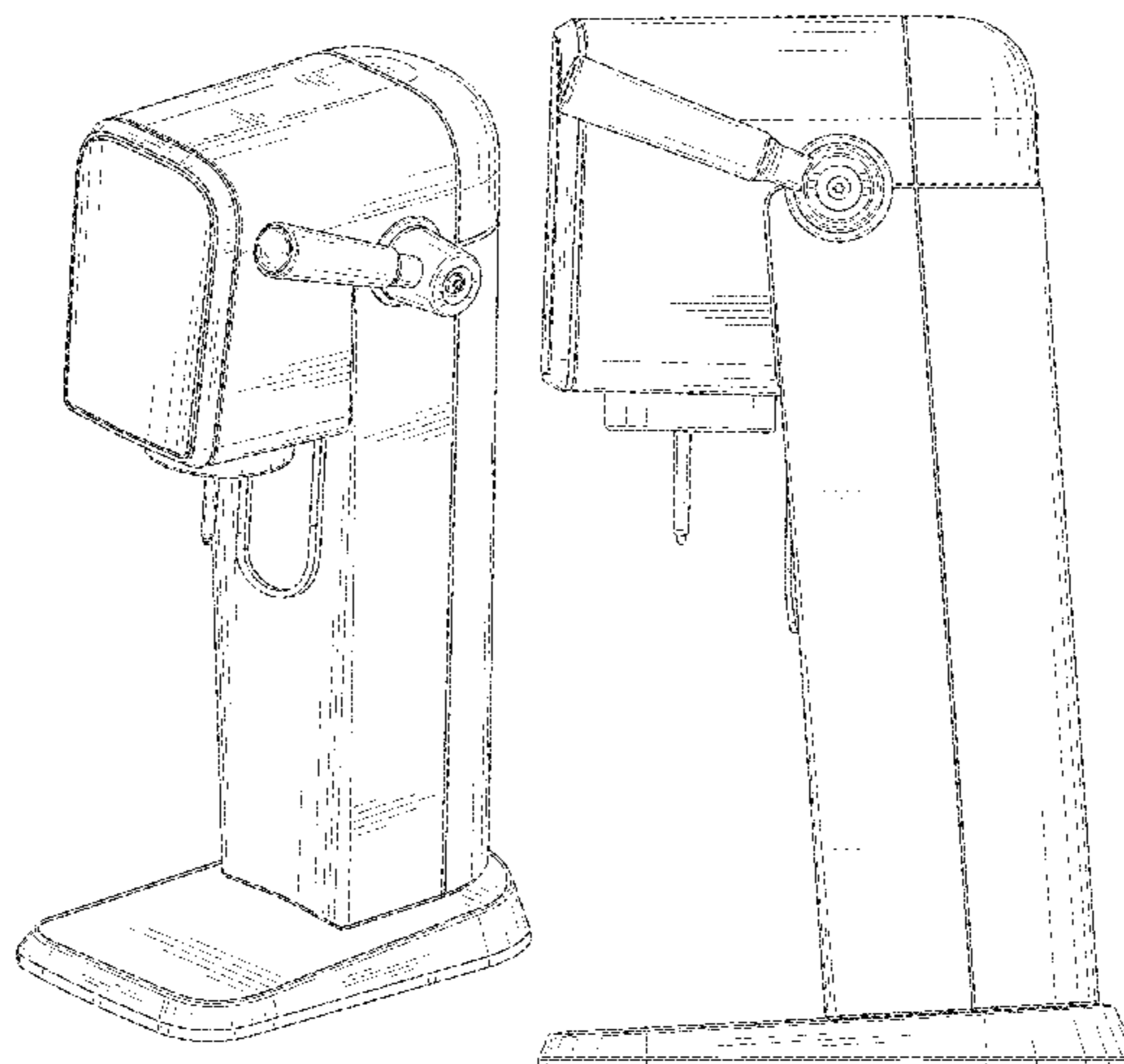
The ornamental design for a soda-water preparing device, as shown and described.

DESCRIPTION

1. Soda-water preparing device
- 1.1 : Perspective (front, top, right)
- 1.2 : Front
- 1.3 : Back
- 1.4 : Right
- 1.5 : Left
- 1.6 : Top
- 1.7 : Bottom

The shading used in the drawings represents contours and does not illustrate ornamentation or decoration on the sur-

(Continued)



face of the article. The broken lines depict portions of the soda-water preparing device that form no part of the claimed design.

1 Claim, 7 Drawing Sheets

(56) **References Cited**

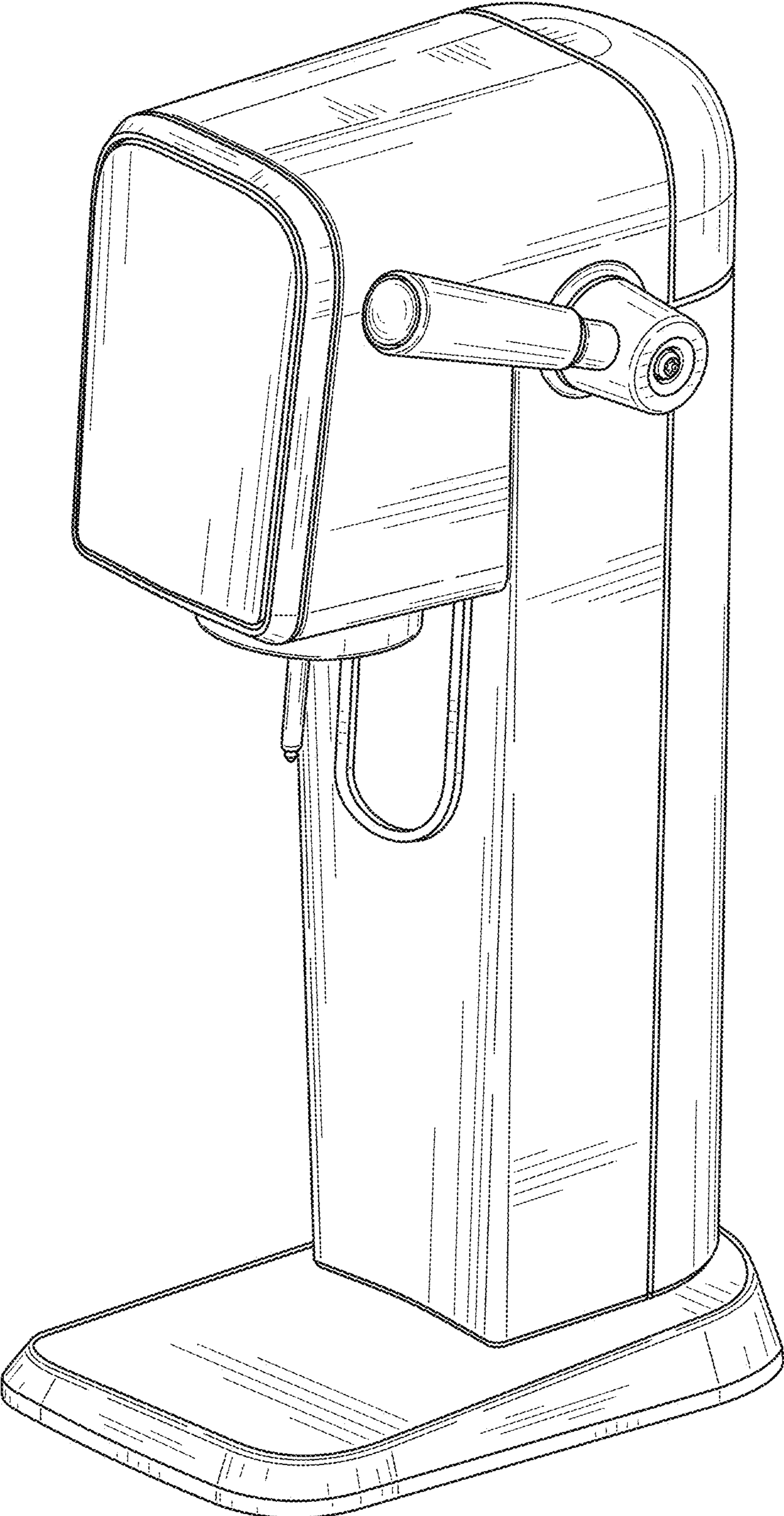
U.S. PATENT DOCUMENTS

D703,476	S	*	4/2014	Behar	D7/311
D734,635	S	*	7/2015	Behar	D7/311
D807,691	S	*	1/2018	Connell	D7/378
D893,234	S	*	8/2020	Broen	D7/397
2015/0197377	A1	*	7/2015	Landau	A23L 2/54 220/810

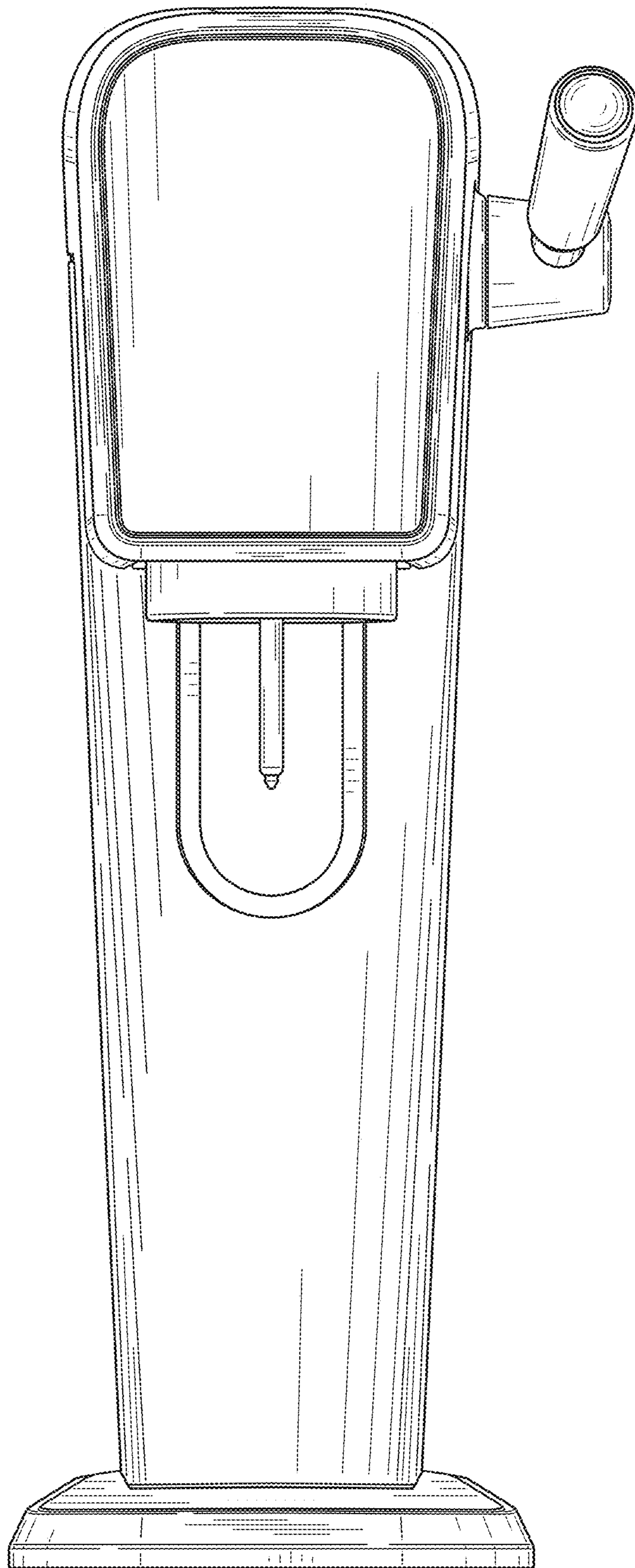
OTHER PUBLICATIONS

Sodastream website, Art, Earliest comment date Jan. 20, 2022, [site visited Mar. 14, 2022], Available on the Internet URL <https://sodastream.com/products/art?variant=39781133746218> (Year: 2022).*

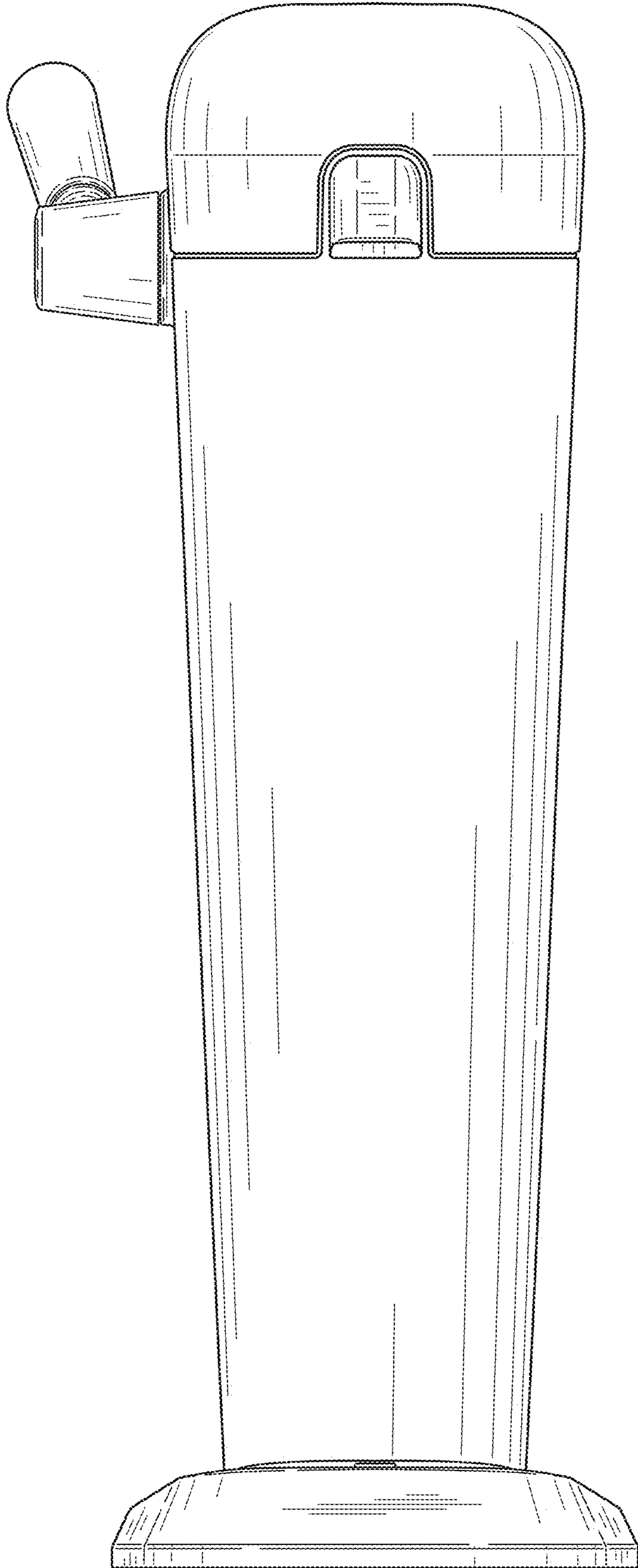
* cited by examiner



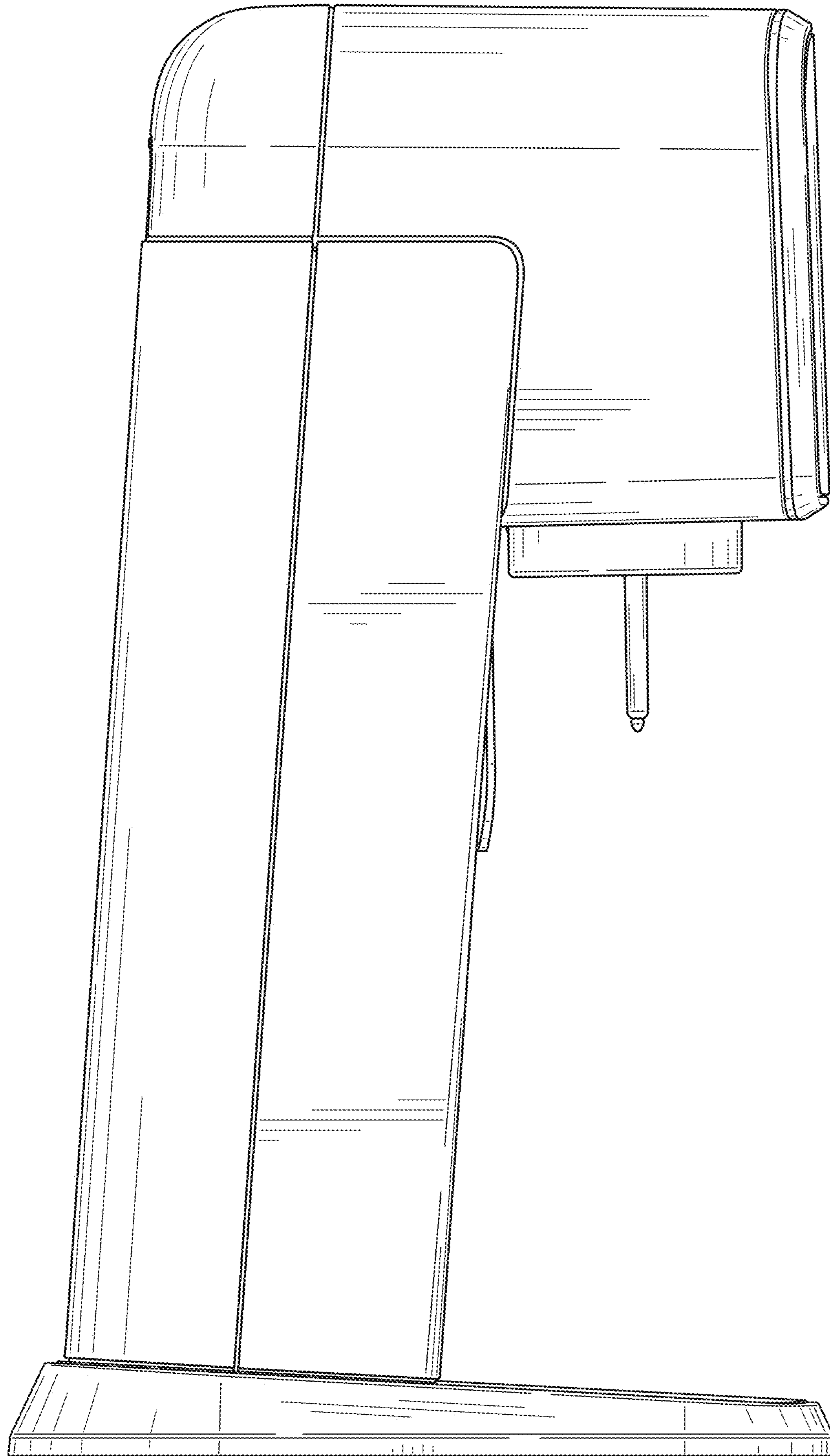
1.1



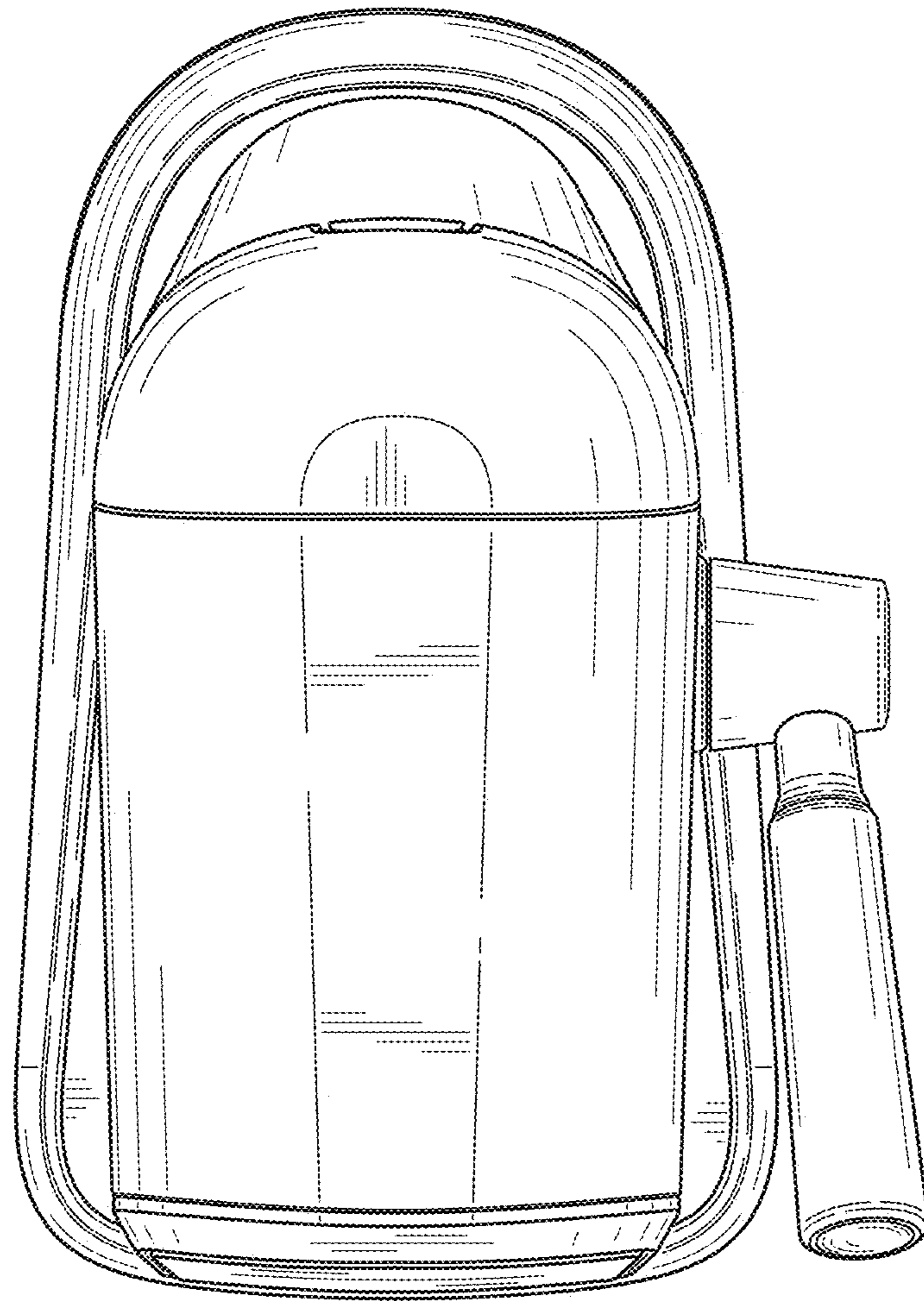
1.2



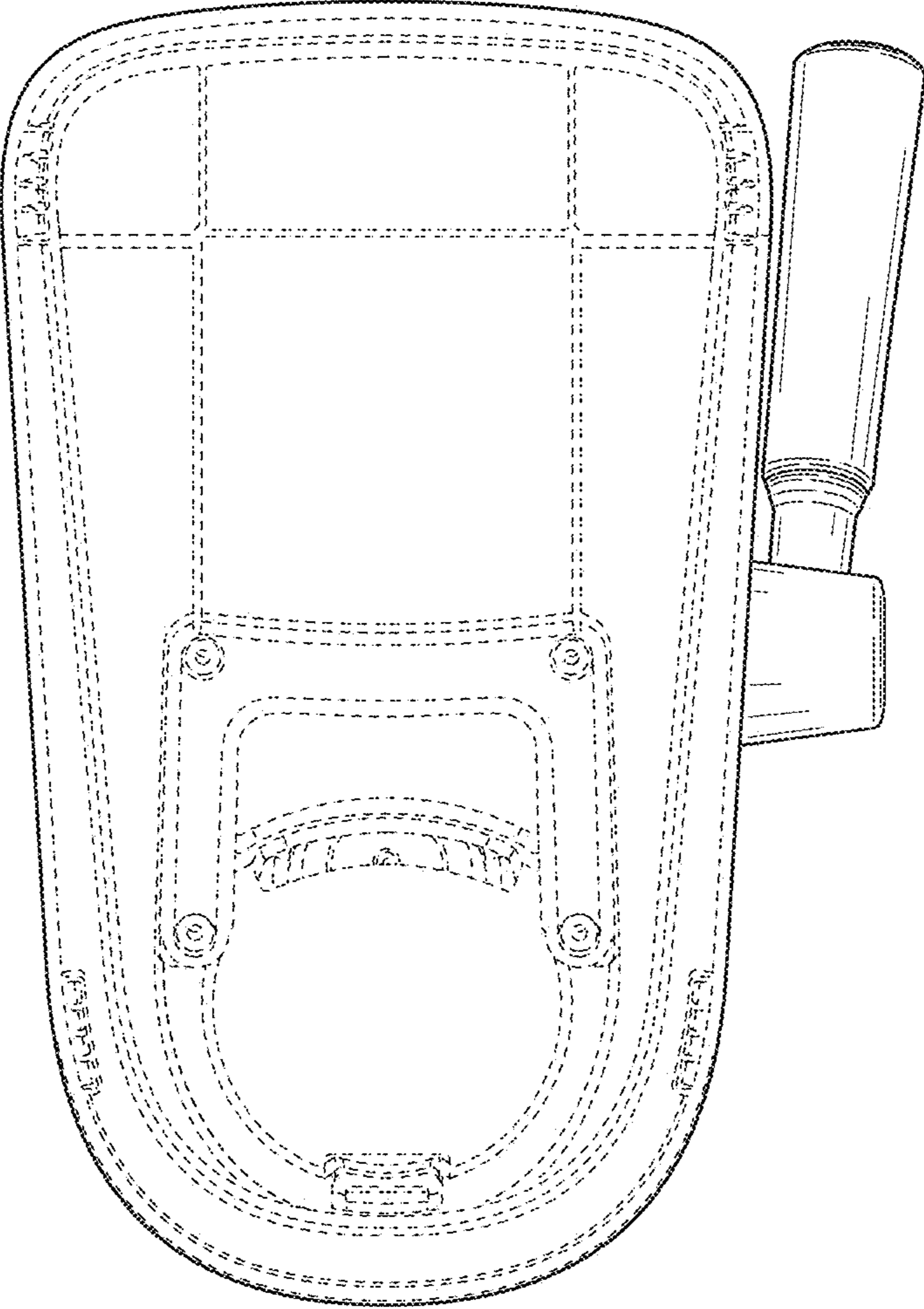
1.3



1.5



1.6



1.7