



US00D968144S

(12) **United States Design Patent** (10) **Patent No.:** **US D968,144 S**
Burton et al. (45) **Date of Patent:** **** Nov. 1, 2022**

(54) **TABLE TOP BARRIER**

- (71) Applicant: **United Industries, Inc.**, Bentonville, AR (US)
- (72) Inventors: **Russell Burton**, Springdale, AR (US); **Stephen Lindsey**, Springdale, AR (US); **Mark Ferm**, Rogers, AR (US); **Kent Ferm**, Rogers, AR (US); **David B. Strickland**, Bentonville, AR (US)
- (73) Assignee: **United Industries, Inc.**, Bentonville, AR (US)
- (**) Term: **15 Years**
- (21) Appl. No.: **29/743,051**
- (22) Filed: **Jul. 17, 2020**
- (51) **LOC (13) Cl.** **06-06**
- (52) **U.S. Cl.**
USPC **D6/714**
- (58) **Field of Classification Search**
USPC D6/300, 329, 643, 643.1, 644, 699.5,
D6/702, 705, 705.5, 706, 713, 714
CPC A47B 2200/12
See application file for complete search history.

(56) **References Cited**

U.S. PATENT DOCUMENTS

D110,921 S *	8/1938	Fein	D28/64.1
D316,188 S *	4/1991	Connor	A47B 3/08
				D6/300
5,609,112 A *	3/1997	Meyer	A47B 17/00
				108/158.13
D599,122 S *	9/2009	Feldpausch	D6/332
8,944,132 B1 *	2/2015	Floyd	E06B 9/42
				160/370.22
D844,626 S *	4/2019	Liu	A47B 17/00
				D14/450
D858,118 S *	9/2019	Acers	E06B 9/42
				D6/332
D916,470 S *	4/2021	Liu	D6/300
2014/0158024 A1 *	6/2014	Henriott	A47B 3/08
				108/27

OTHER PUBLICATIONS

Yuesuo, No Cutout Sneeze Guard Panel—Amazon, First available on Aug. 20, 2020 https://www.amazon.com/YUESUO-Counter-Portable-Protective-Plexiglass/dp/B08KFJQMZS/ref=zg_bs_490913011_9/145-8201152-7308250?pd_rd_i=B08GB1GQNL&psc=1 retrieved from the internet on Jun. 24, 2022.*
Waddell 24"×30" Partition & Panel System—MSC https://www.mscdirect.com/browse/tnpla/13314703?cid=ppc-google-Smart+Shopping++FMR++Shipping+%26+Office+Supplies&mkwid=%7cdc&pcrid=570681594391&rd=k&product_id=13314703&gclid=EAlalQobChMlyKWy2Z3G-AIVGv3jBx0z-wbaEAQYBSABEgKT9_D_BwE&gclidsrc=aw.dssr retrieved from the internet on Jun. 24, 2022.*
48"W×24"H Sneeze Guard for Counter—Amazon, first available on Apr. 29, 2020 <https://www.amazon.com/Counter-Plastic-Business-Acrylic-Distancing/dp/B087WN56YB> retrieved from the internet on Jun. 24, 2022.*

* cited by examiner

Primary Examiner — Mary Ann Calabrese

(74) *Attorney, Agent, or Firm* — Head, Johnson, Kachigian & Wilkinson, PC

(57) **CLAIM**

The ornamental design for a table top barrier, as shown and described.

DESCRIPTION

FIG. 1 is a perspective view of a first embodiment of a table top barrier showing our new design;
FIG. 2 is a front view of the table top barrier shown in FIG. 1;
FIG. 3 is a rear view of the table top barrier shown in FIG. 1;
FIG. 4 is a left side view and FIG. 5 is a right side view of the table top barrier shown in FIG. 1;
FIG. 6 is a top view of the table top barrier shown in FIG. 1;
FIG. 7 is a bottom view of the table top barrier shown in FIG. 1;

(Continued)

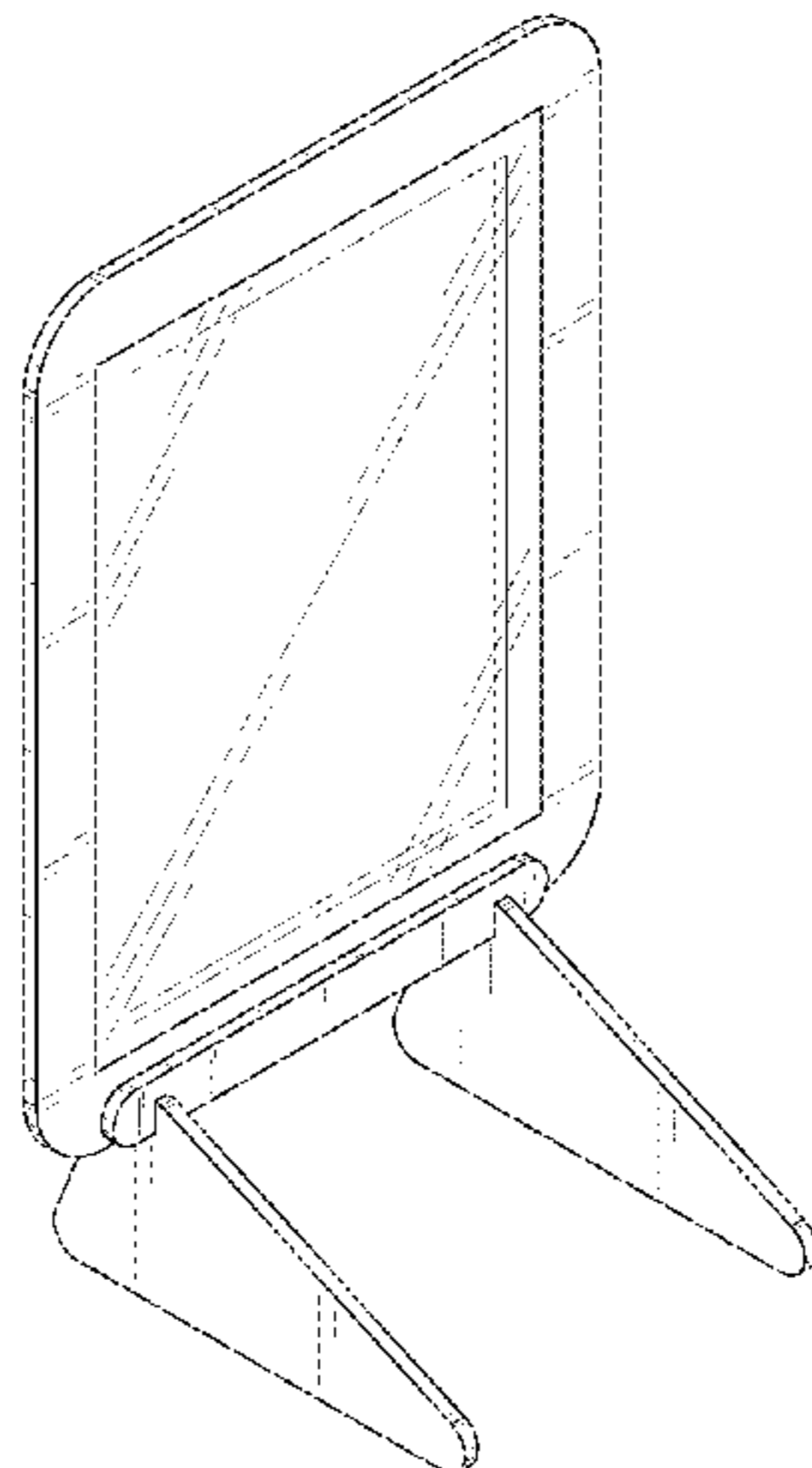


FIG. 8 is a perspective view of a second embodiment of a table top barrier showing our new design;
FIG. 9 is a front view of the table top barrier shown in FIG. 8;
FIG. 10 is a rear view of the table top barrier shown in FIG. 8;
FIG. 11 is a left side view and FIG. 12 is a right side view of the table top barrier shown in FIG. 8;
FIG. 13 is a top view of the table top barrier shown in FIG. 8;
FIG. 14 is a bottom view of the table top barrier shown in FIG. 8;
FIG. 15 is a perspective view of a third embodiment of a table top barrier showing our new design;
FIG. 16 is a front view of the table top barrier shown in FIG. 15;
FIG. 17 is a rear view of the table top barrier shown in FIG. 15;
FIG. 18 is a left side view and FIG. 19 is a right side view of the table top barrier shown in FIG. 15;
FIG. 20 is a top view of the table top barrier shown in FIG. 15;
FIG. 21 is a bottom view of the table top barrier shown in FIG. 15;
FIG. 22 is a perspective view of a fourth embodiment of a table top barrier showing our new design;
FIG. 23 is a front view of the table top barrier shown in FIG. 22;

FIG. 24 is a rear view of the table top barrier shown in FIG. 22;
FIG. 25 is a left side view and FIG. 26 is a right side view of the table top barrier shown in FIG. 22;
FIG. 27 is a top view and FIG. 28 is a bottom view of the table top barrier shown in FIG. 22;
FIG. 29 is a perspective view of a fifth embodiment of a table top barrier showing our new design;
FIG. 30 is a front view of the table top barrier shown in FIG. 29;
FIG. 31 is a rear view of the table top barrier shown in FIG. 29;
FIG. 32 is a left side view and FIG. 33 is a right side view of the table top barrier shown in FIG. 29;
FIG. 34 is a top view and FIG. 35 is a bottom view of the table top barrier shown in FIG. 29;
FIG. 36 is a perspective view of a sixth embodiment of a table top barrier showing our new design;
FIG. 37 is a front view of the table top barrier shown in FIG. 36;
FIG. 38 is a rear view of the table top barrier shown in FIG. 36;
FIG. 39 is a left side view and FIG. 40 is a right side view of the table top barrier shown in FIG. 36; and,
FIG. 41 is a top view and FIG. 42 is a bottom view of the table top barrier shown in FIG. 36.

1 Claim, 30 Drawing Sheets

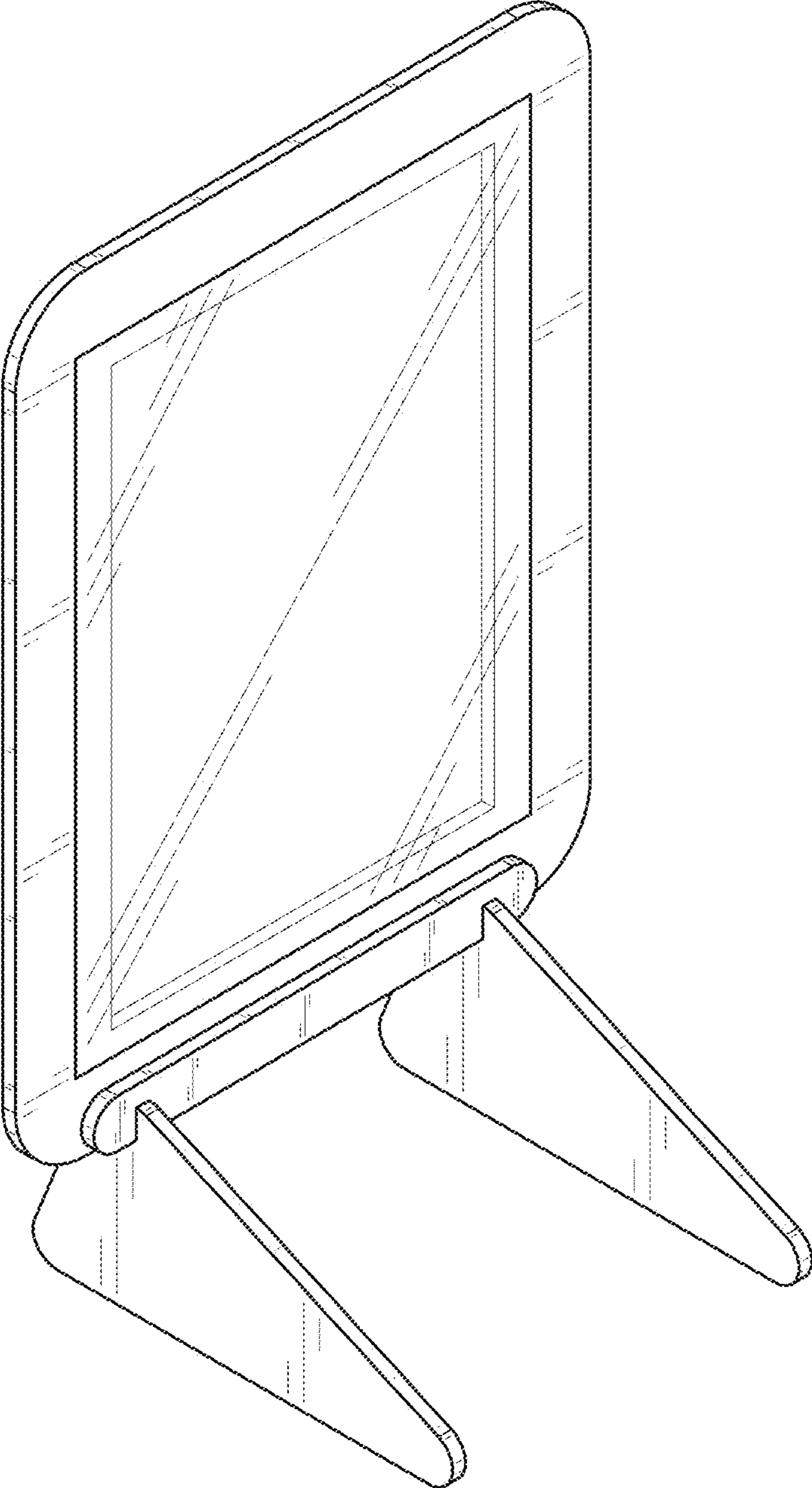


FIG. 1

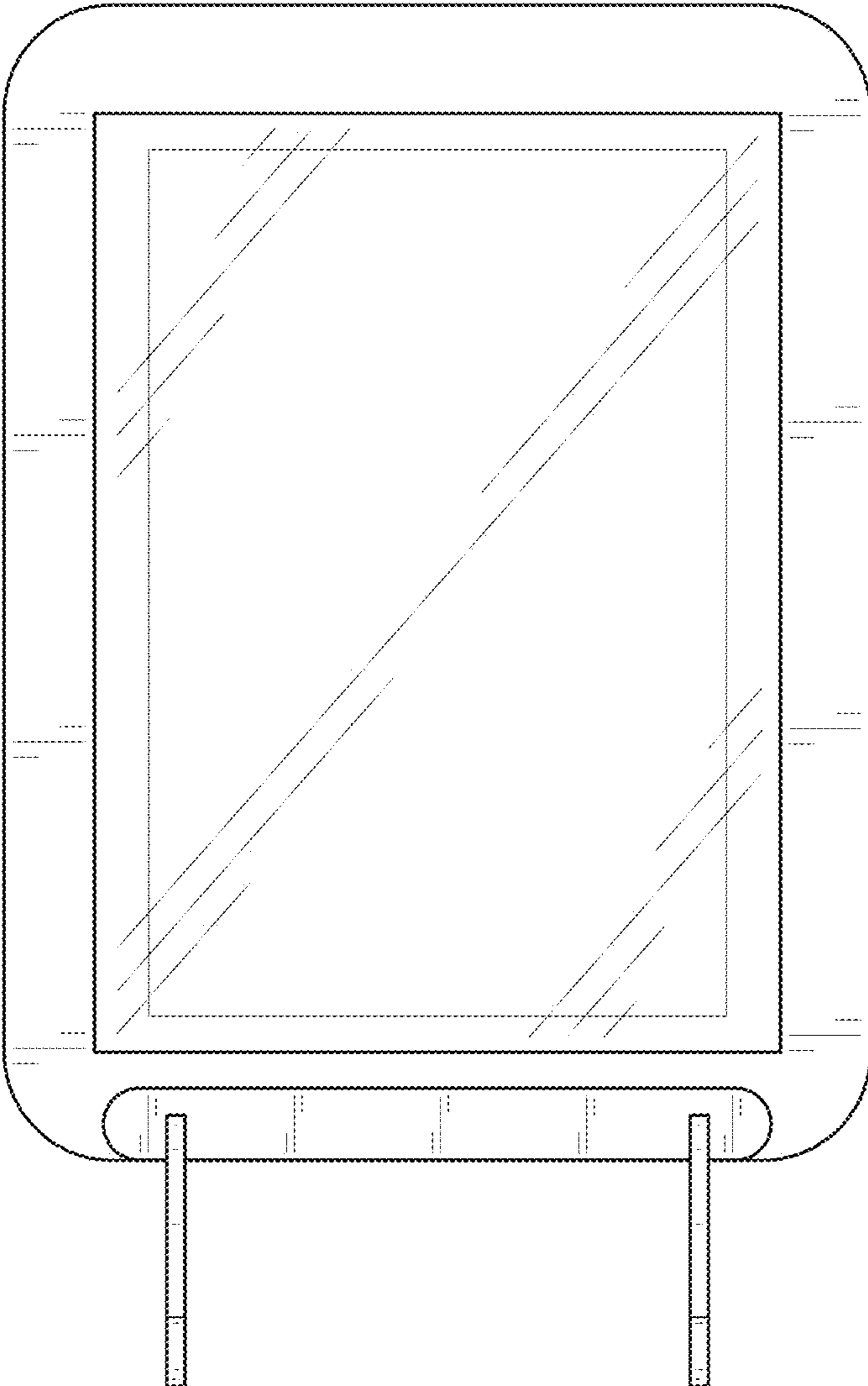


FIG. 2

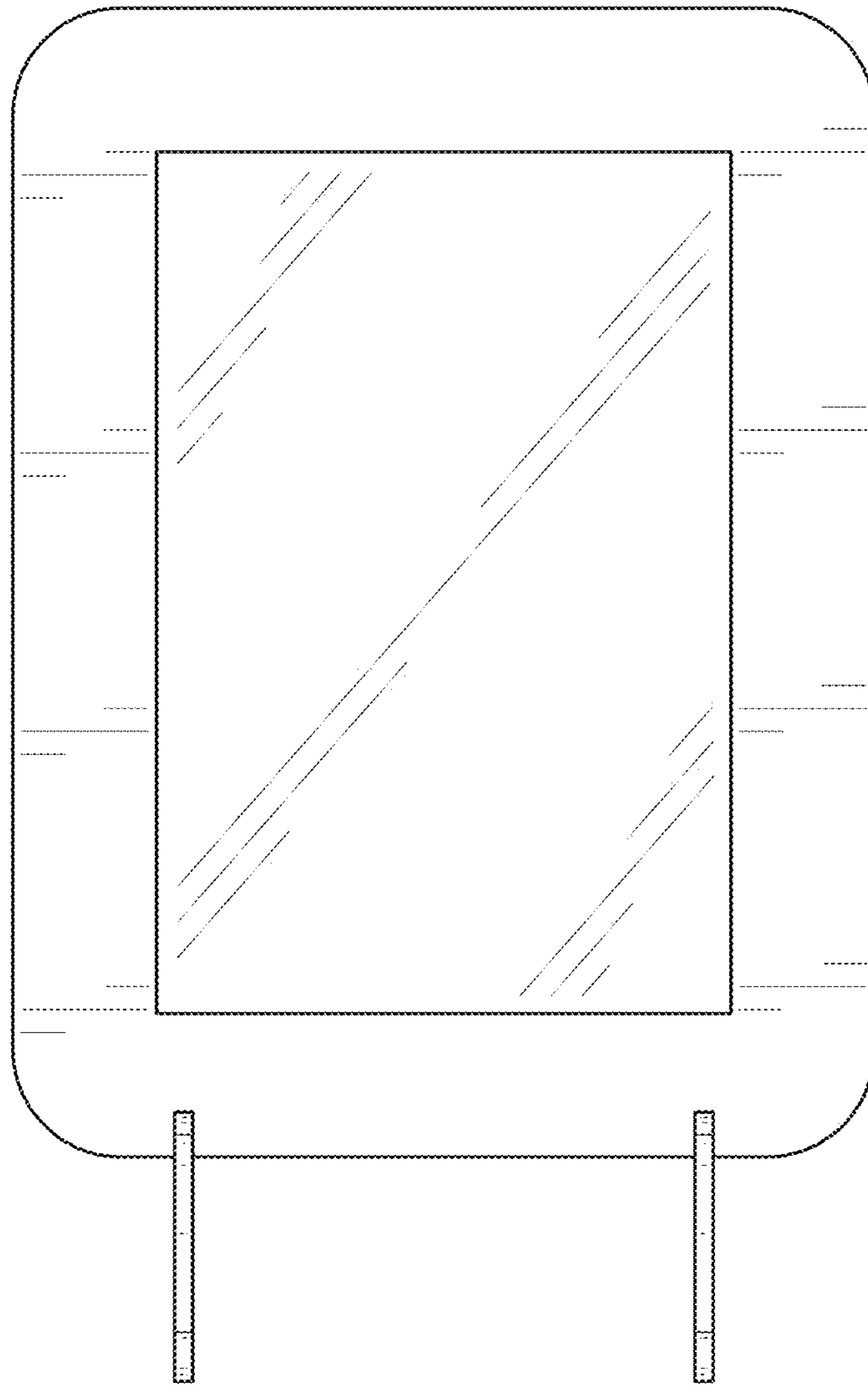


FIG. 3

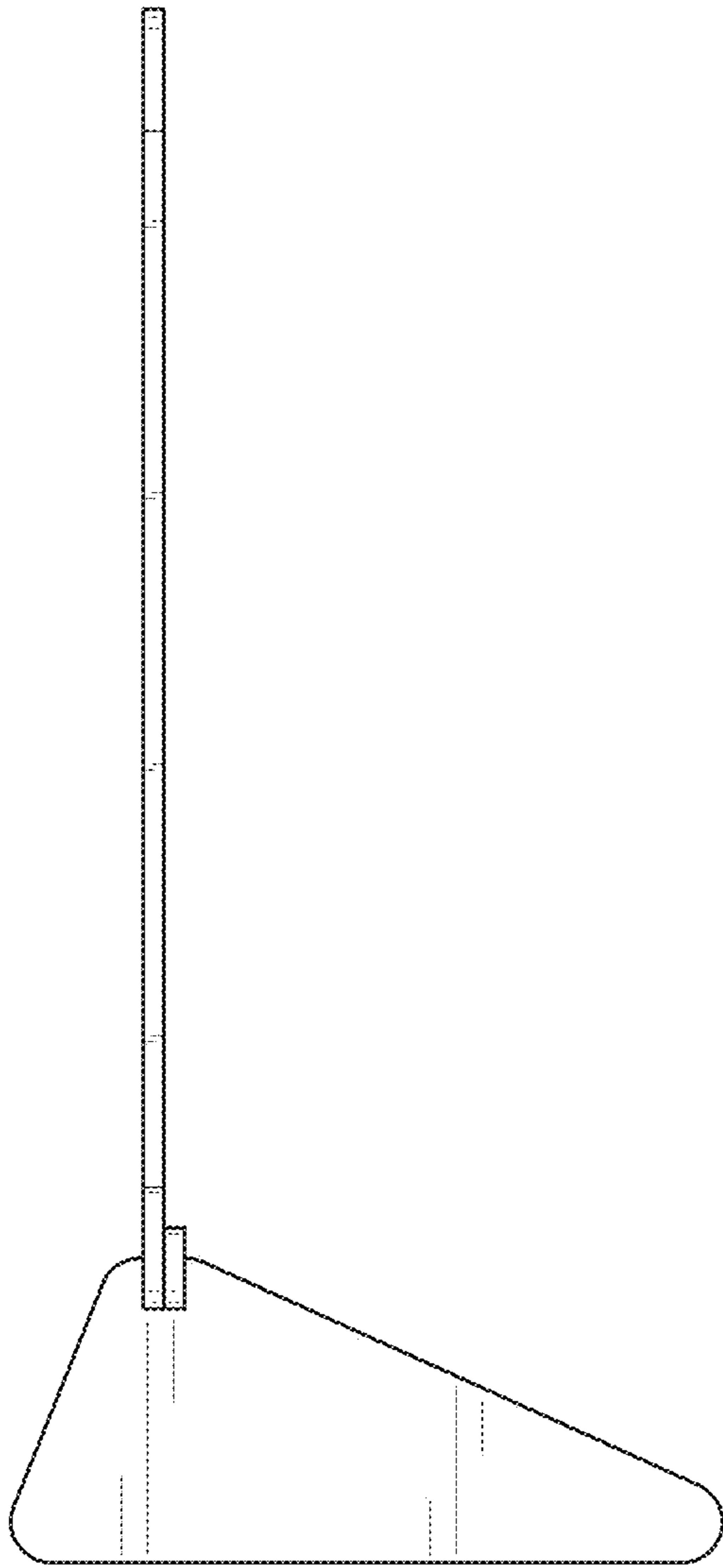


FIG. 4

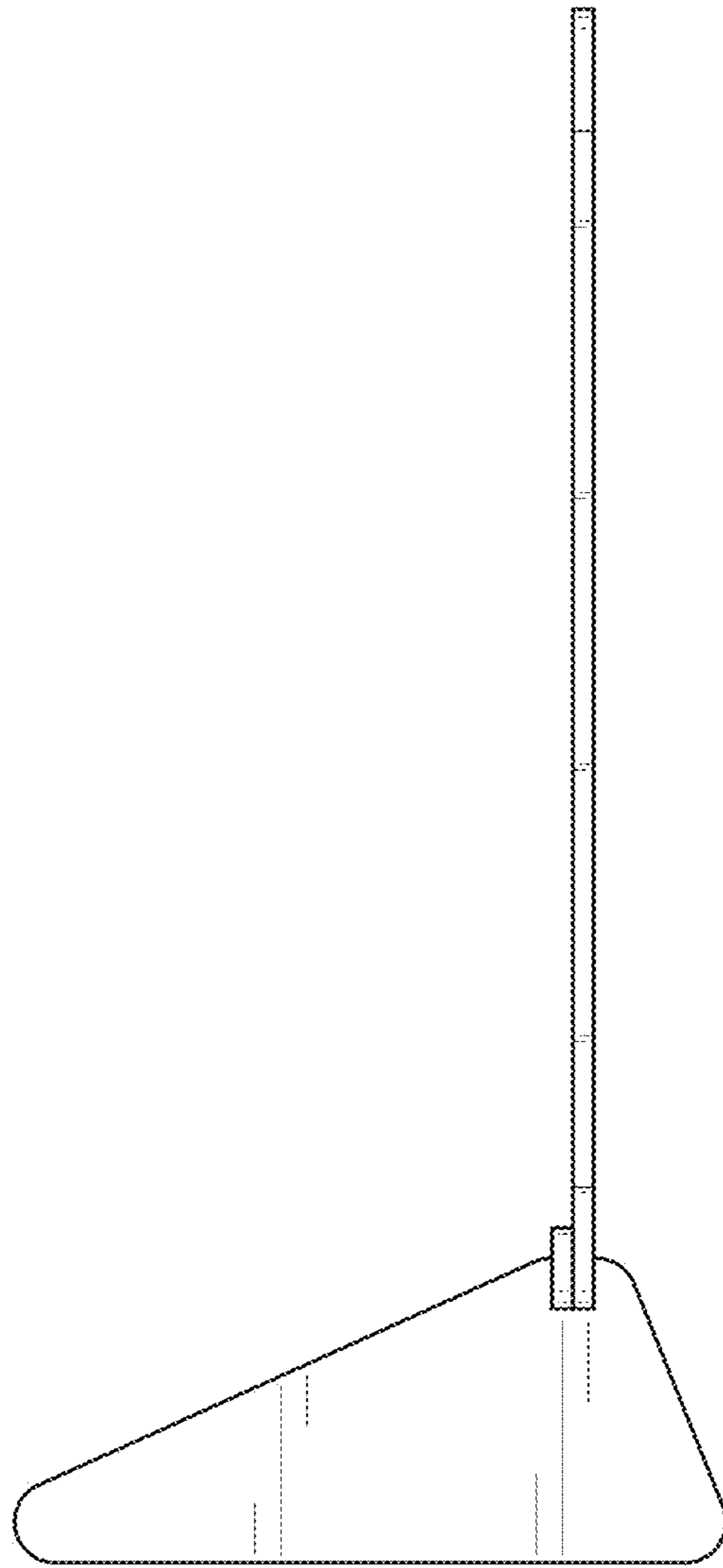


FIG. 5

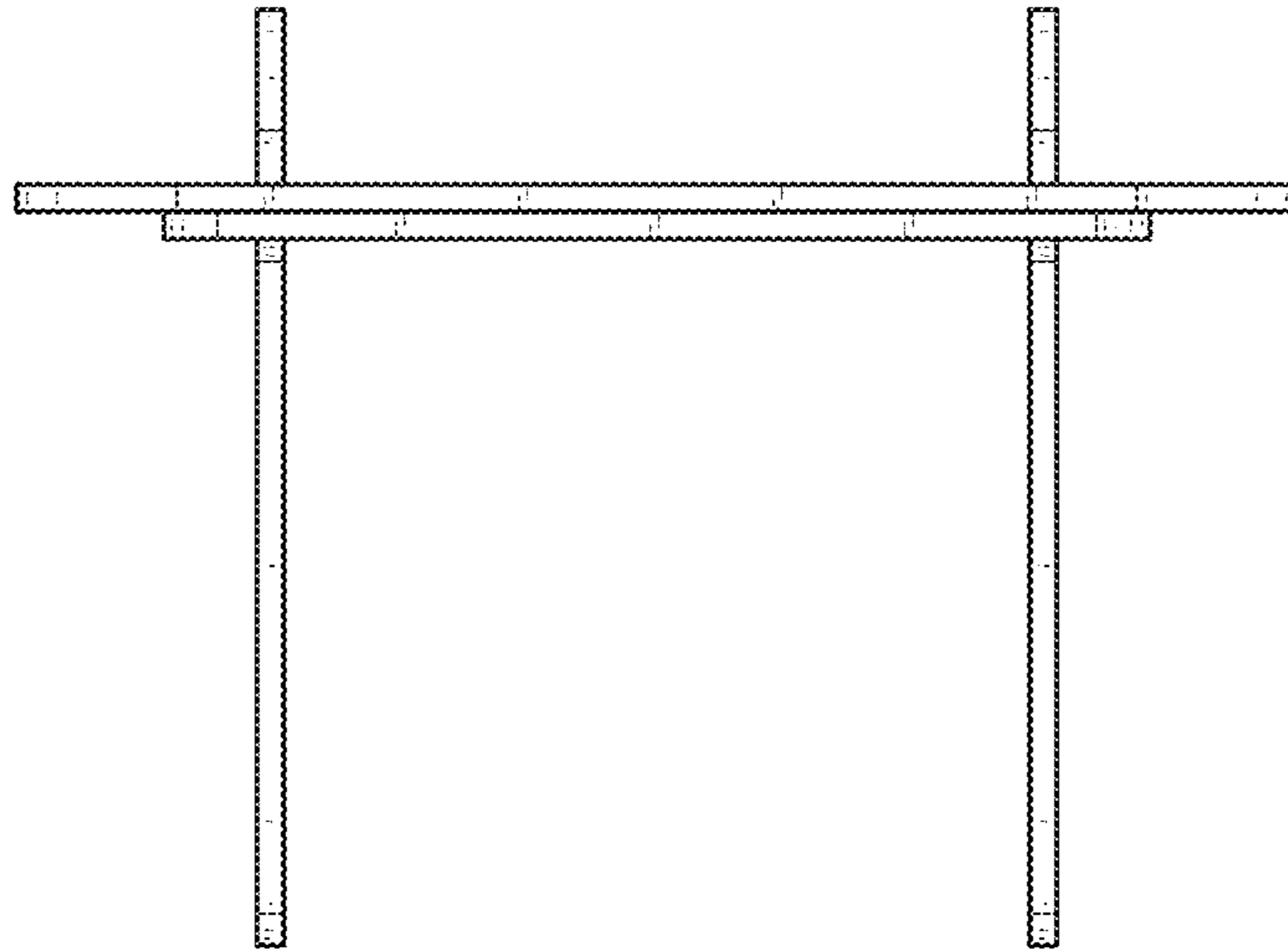


FIG. 6

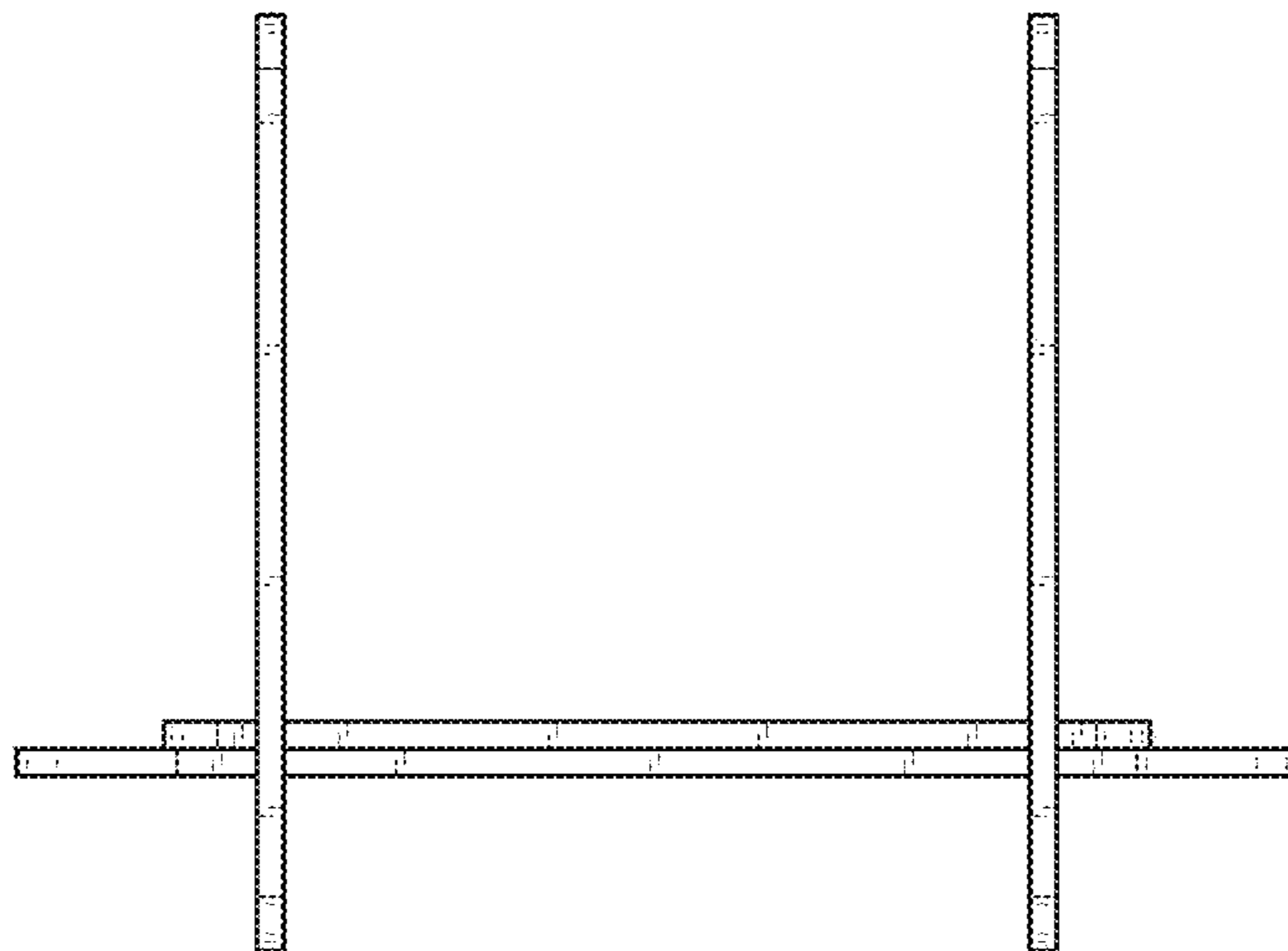


FIG. 7

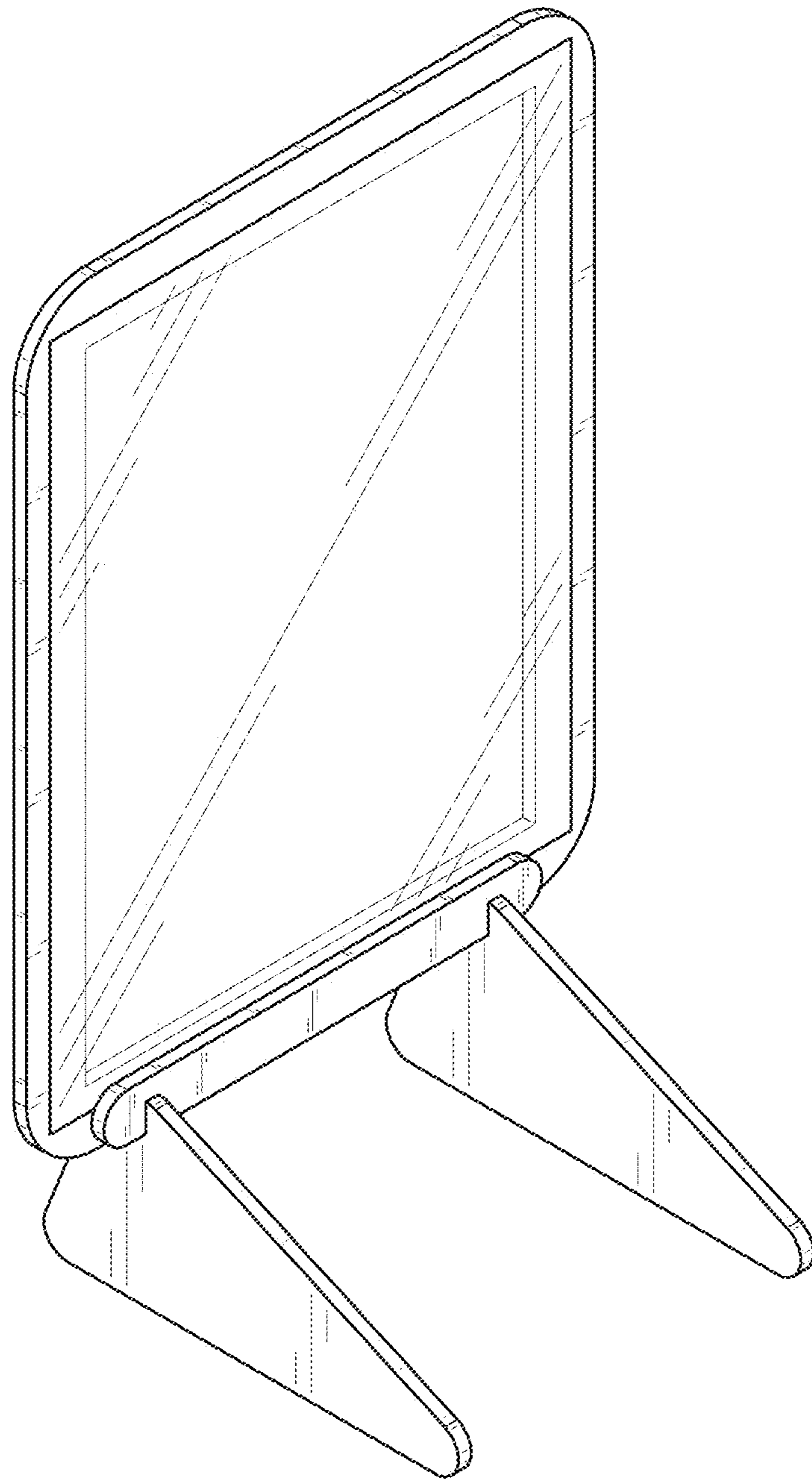


FIG. 8

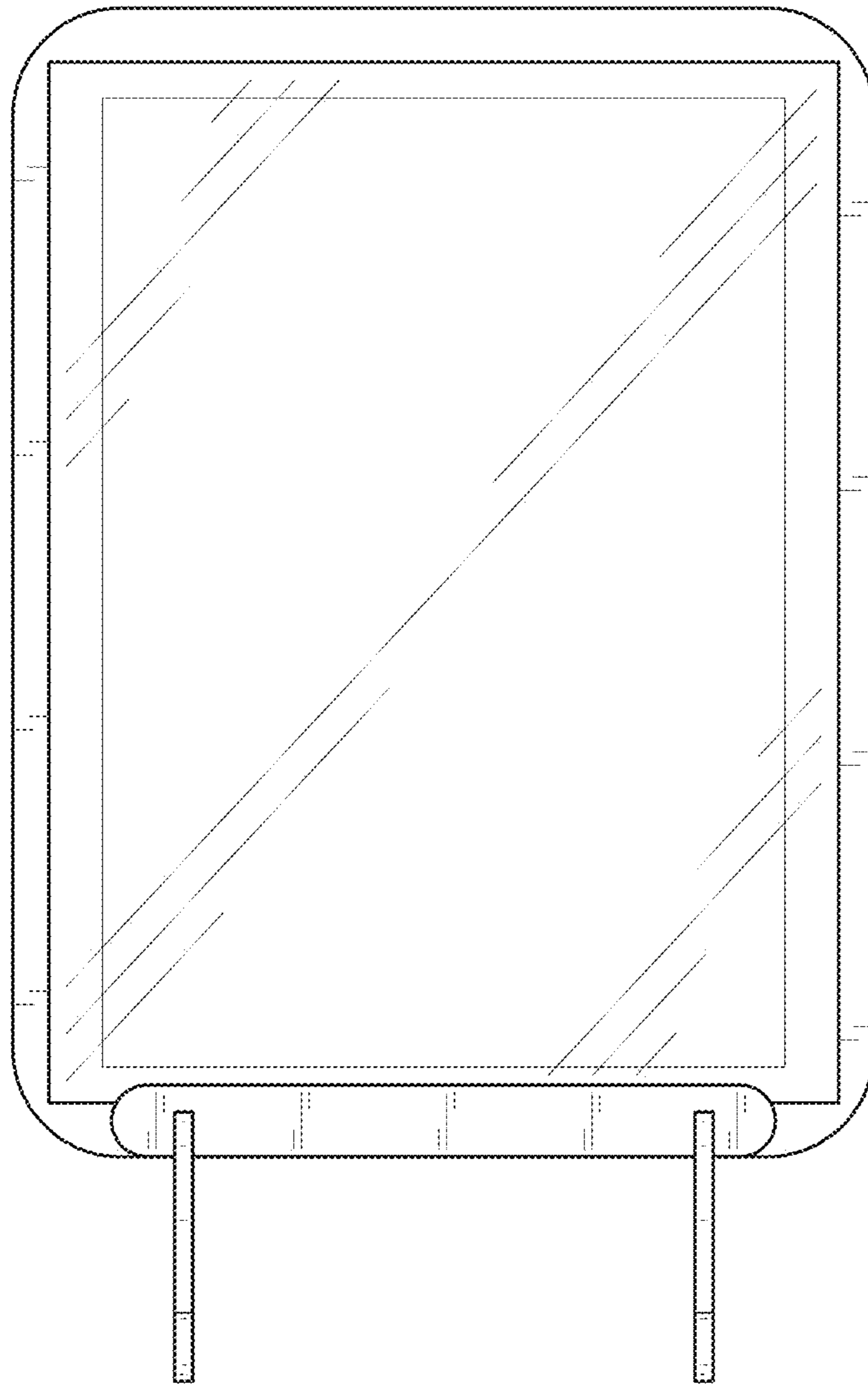


FIG. 9

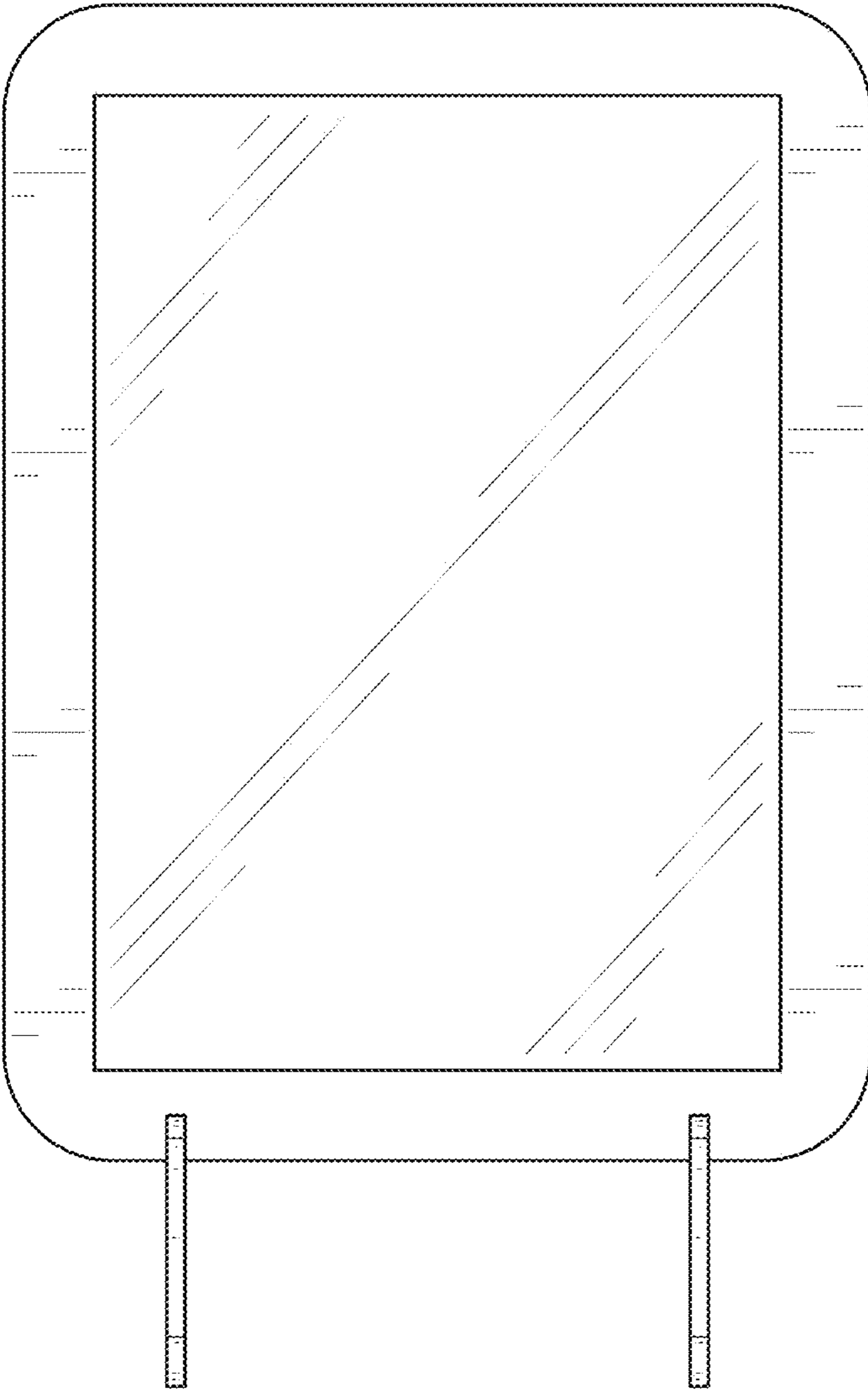


FIG. 10

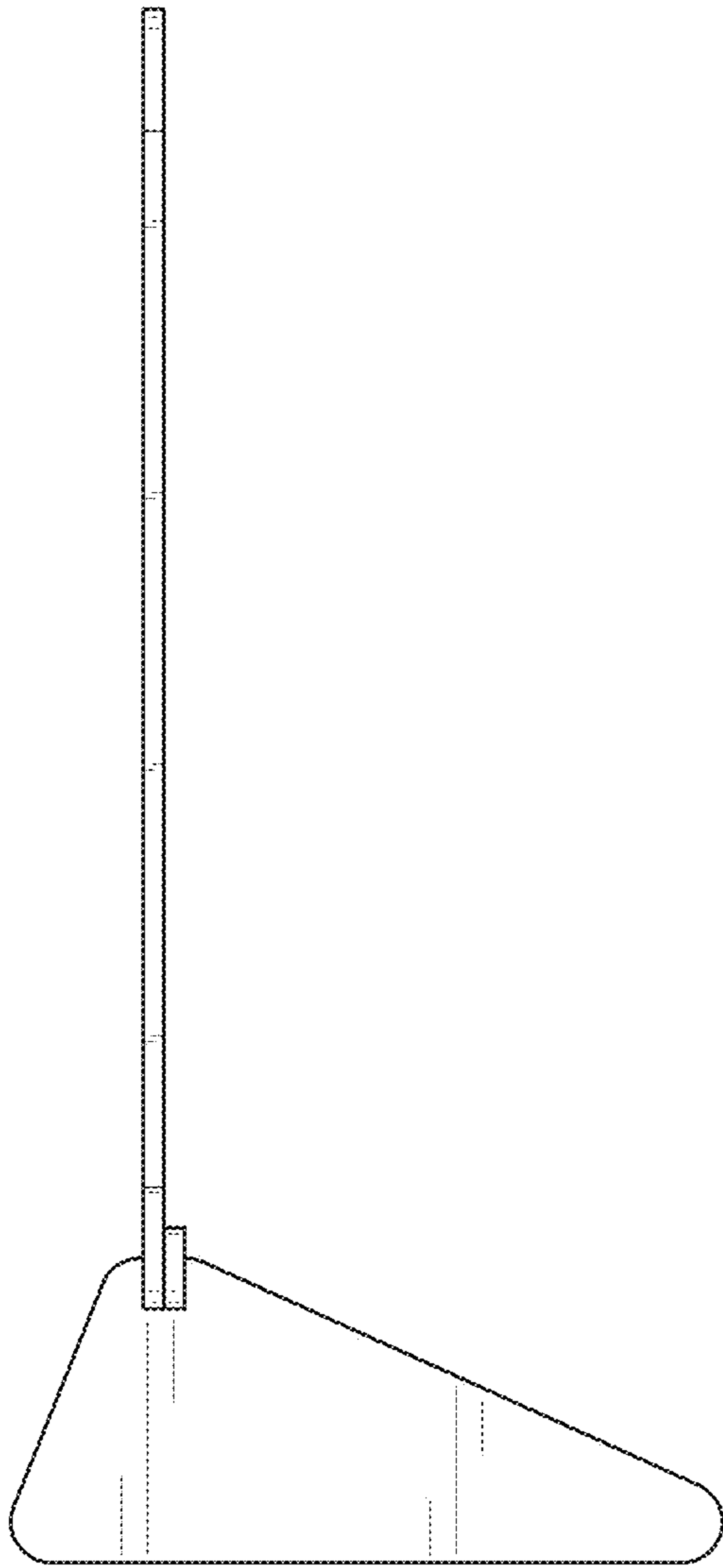


FIG. 11

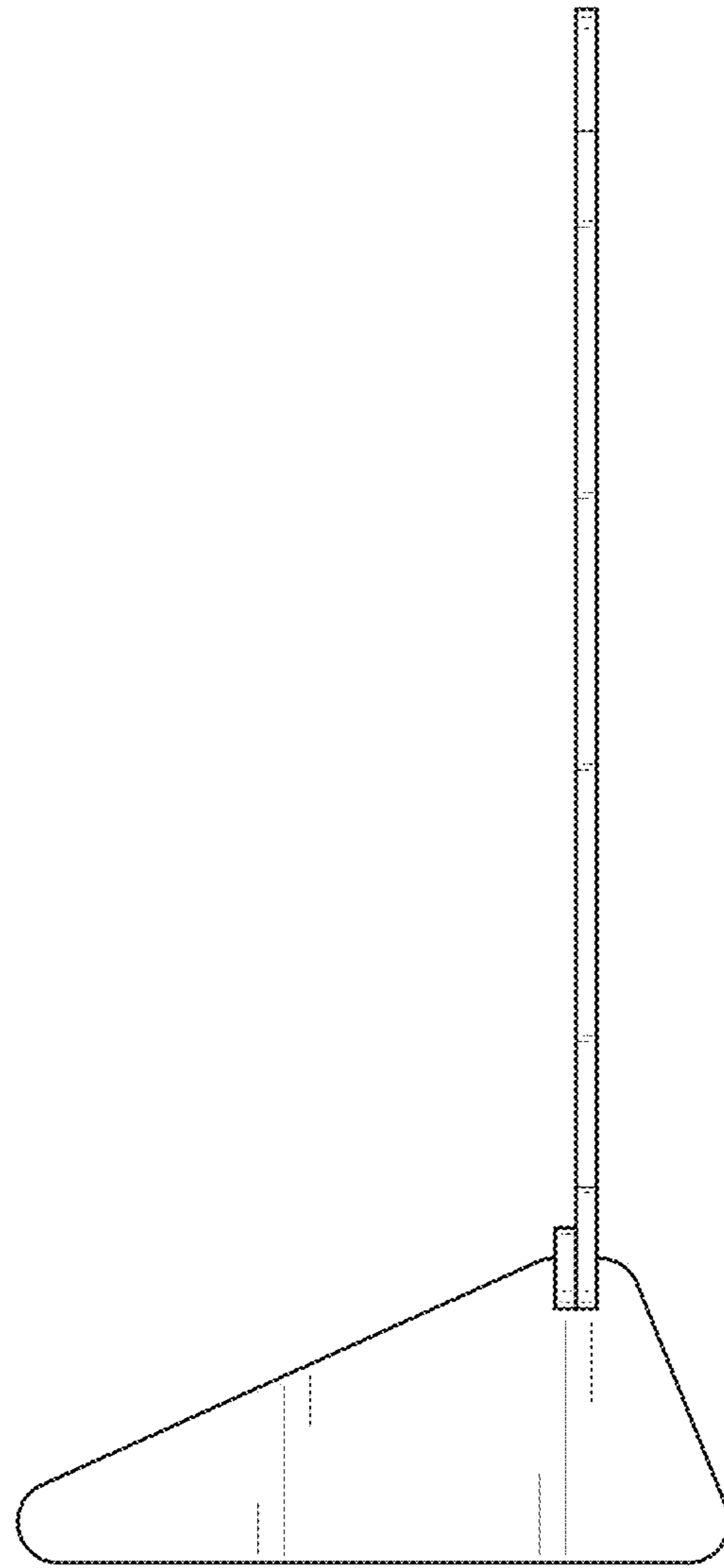


FIG. 12

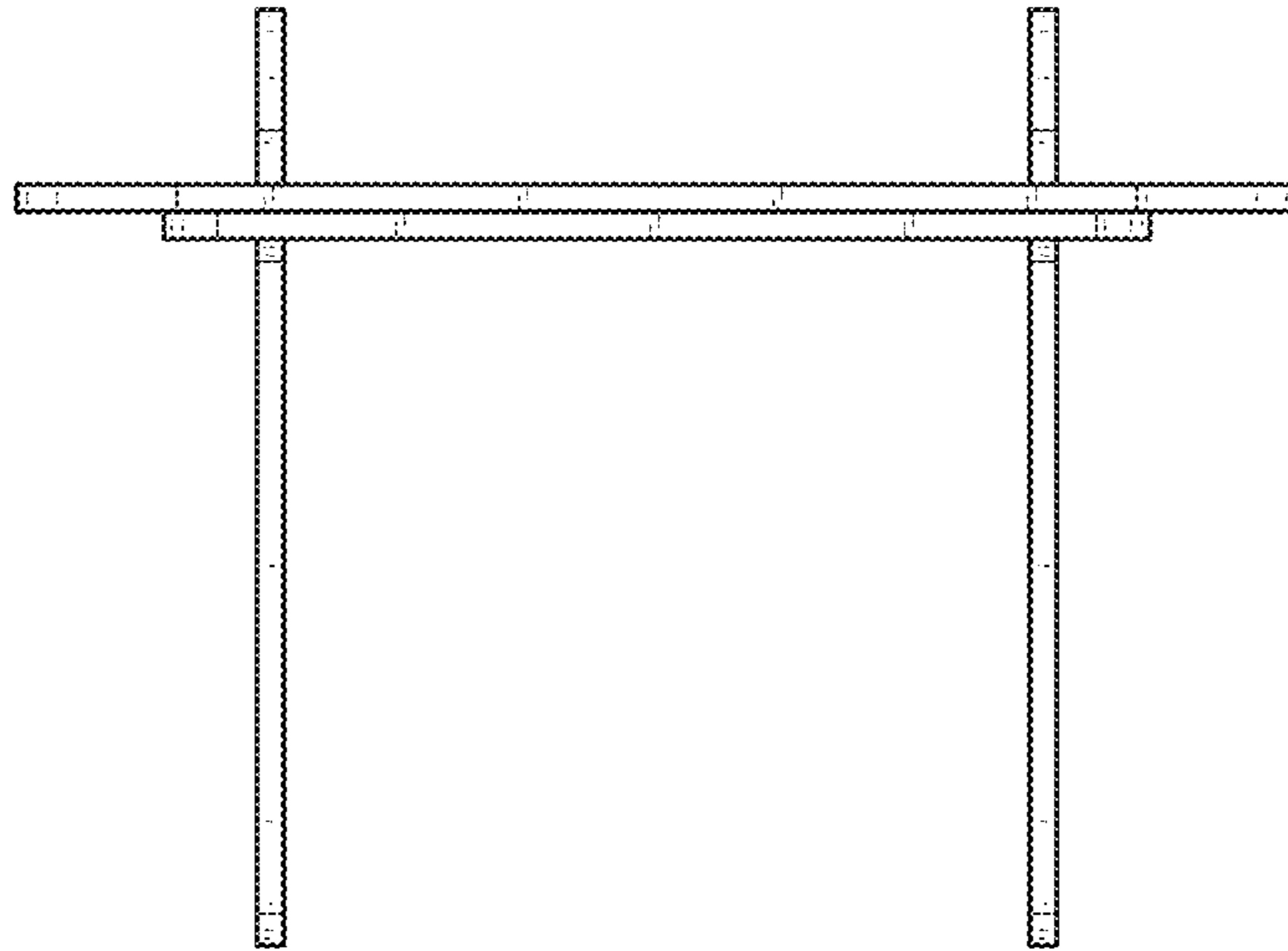


FIG. 13

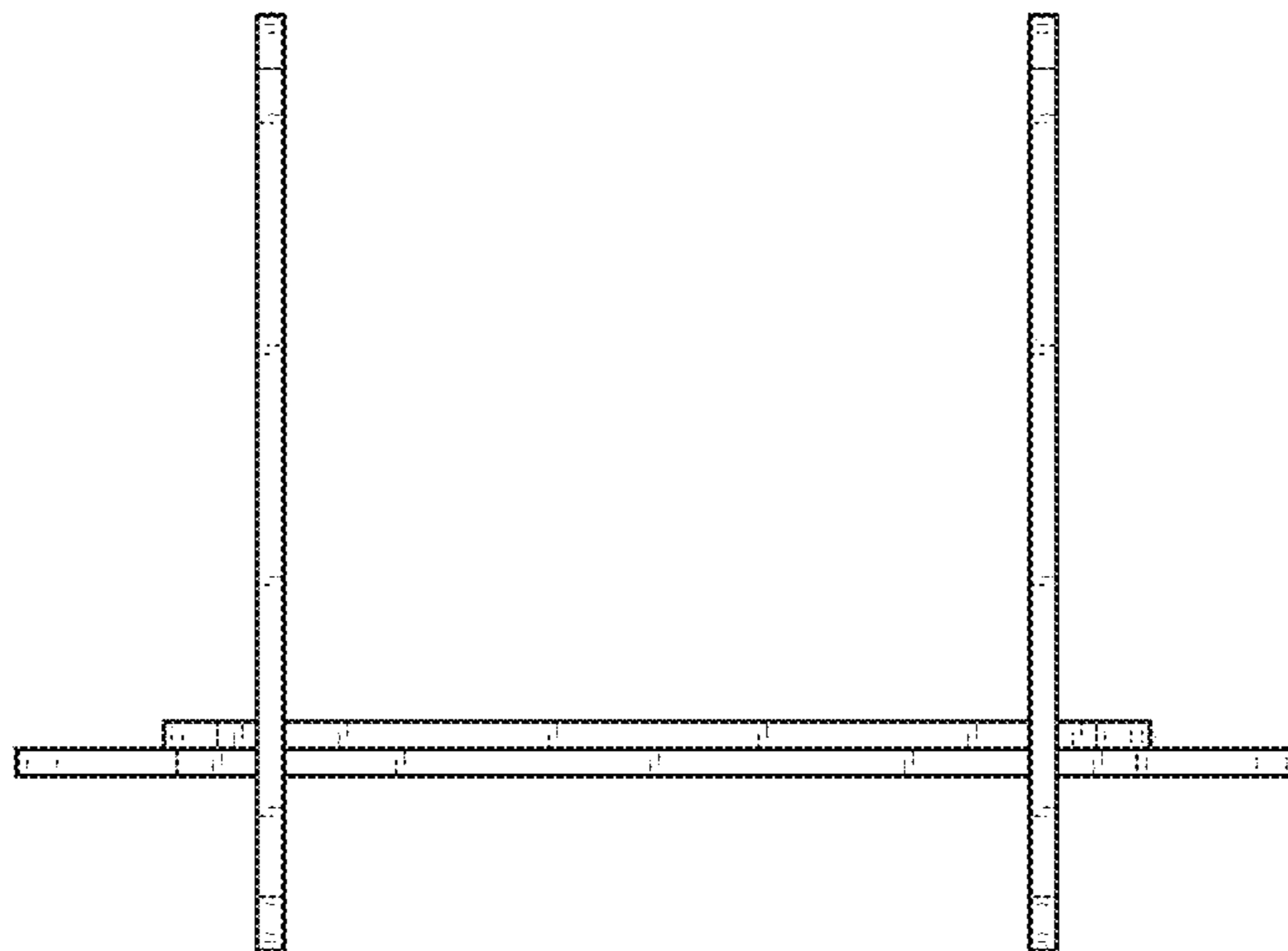


FIG. 14

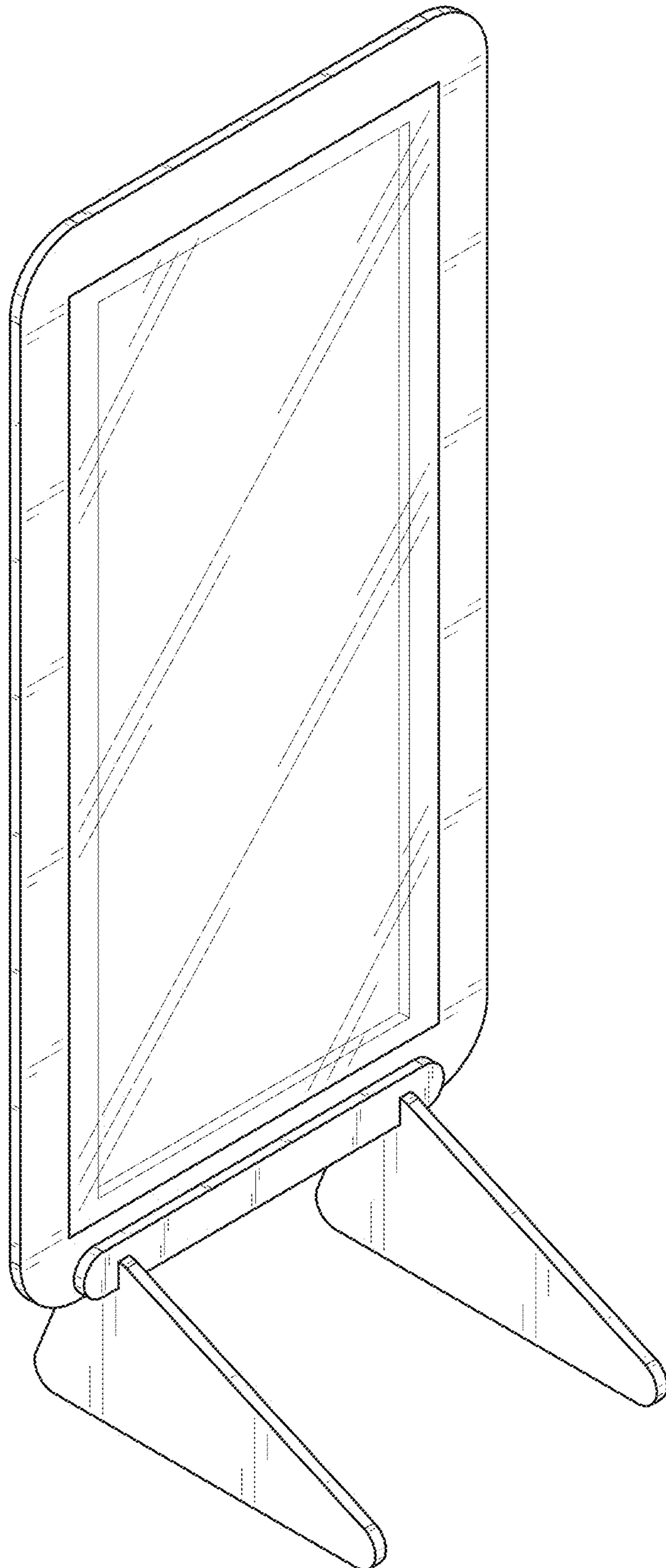


FIG. 15

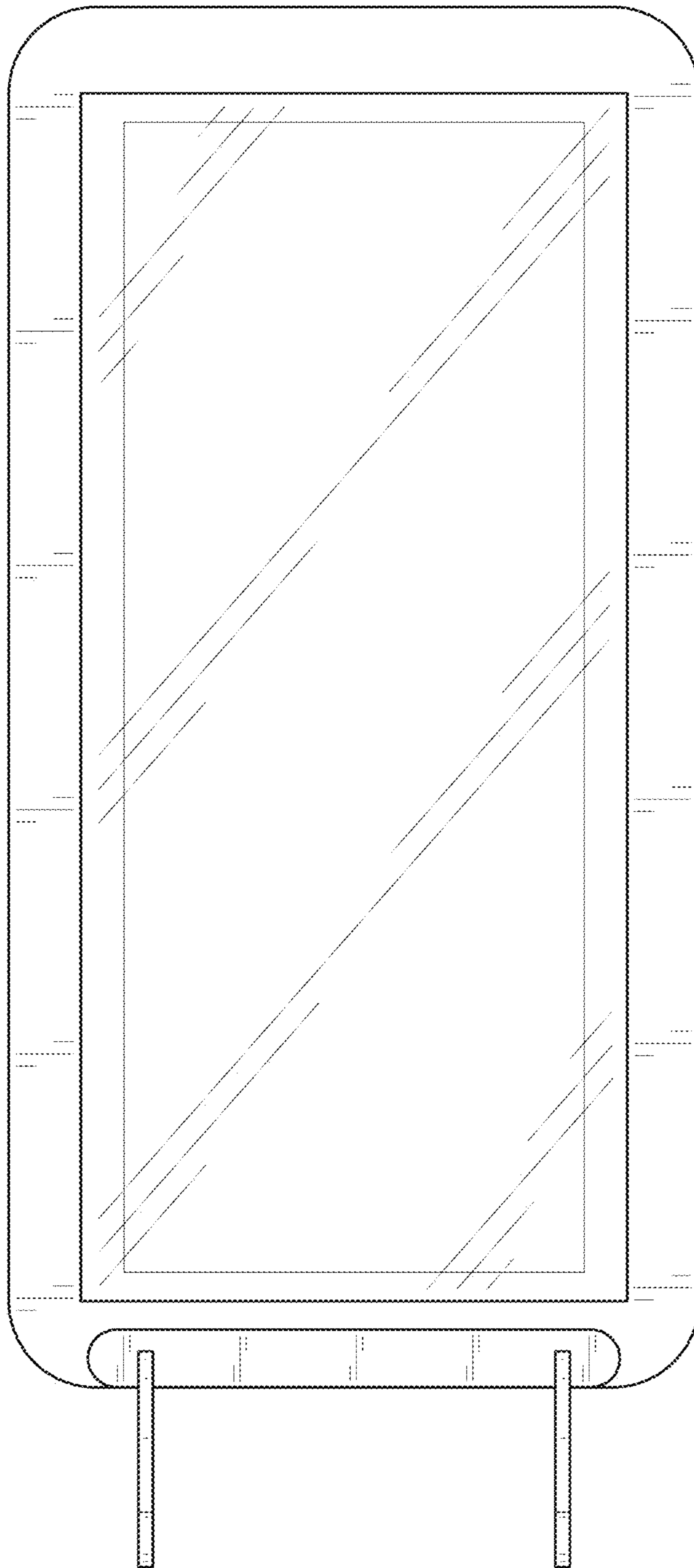


FIG. 16

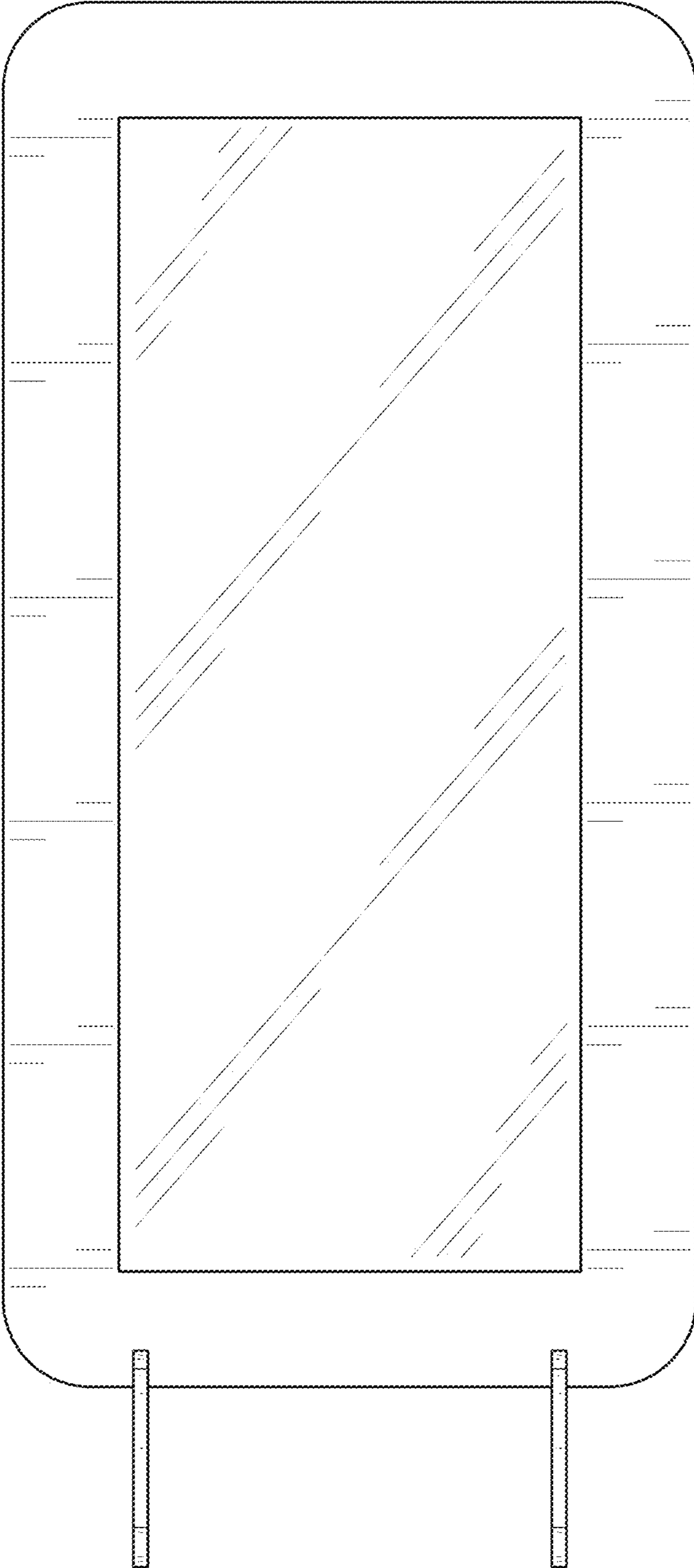


FIG. 17

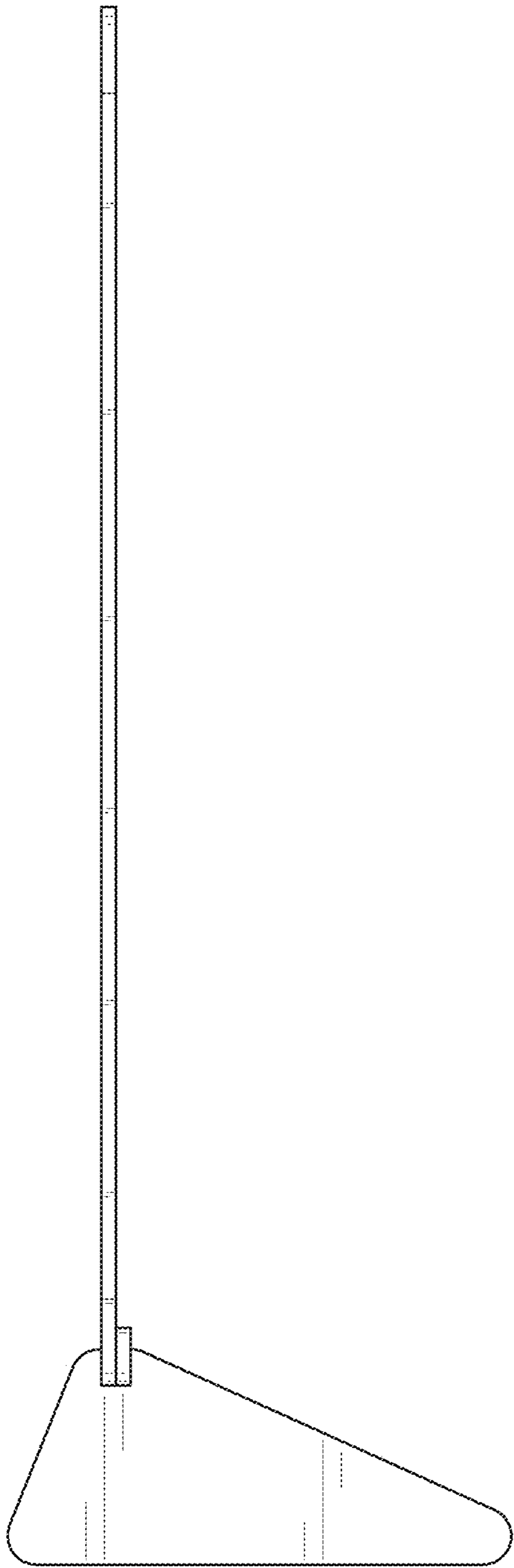


FIG. 18

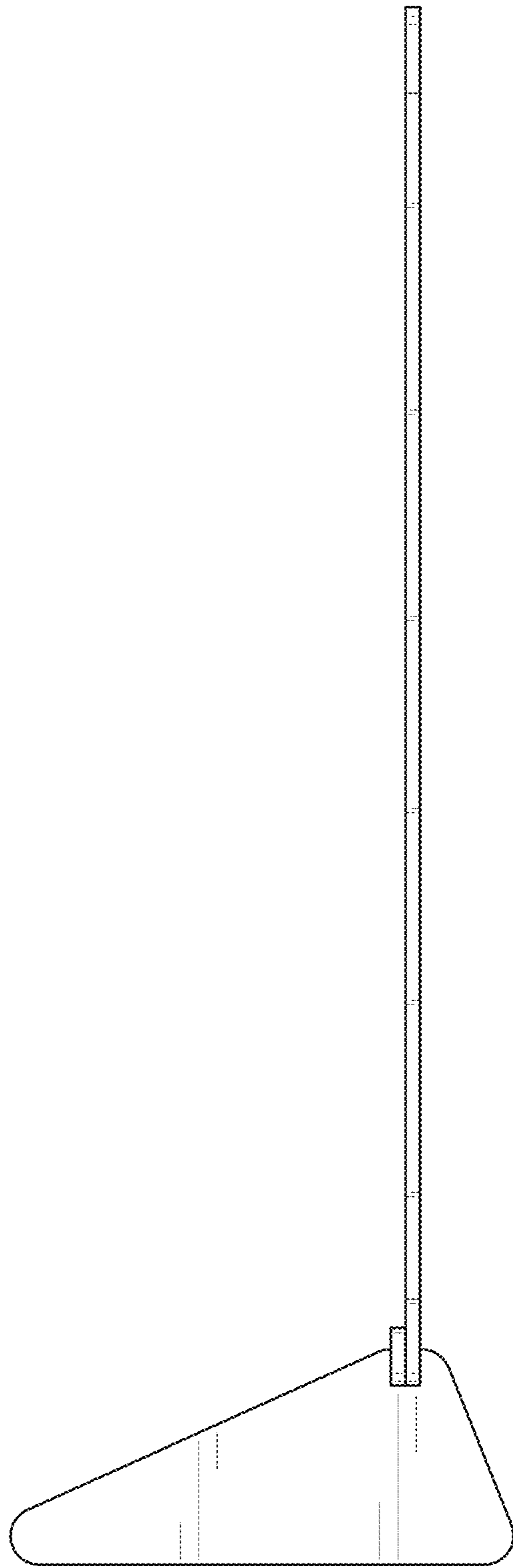


FIG. 19

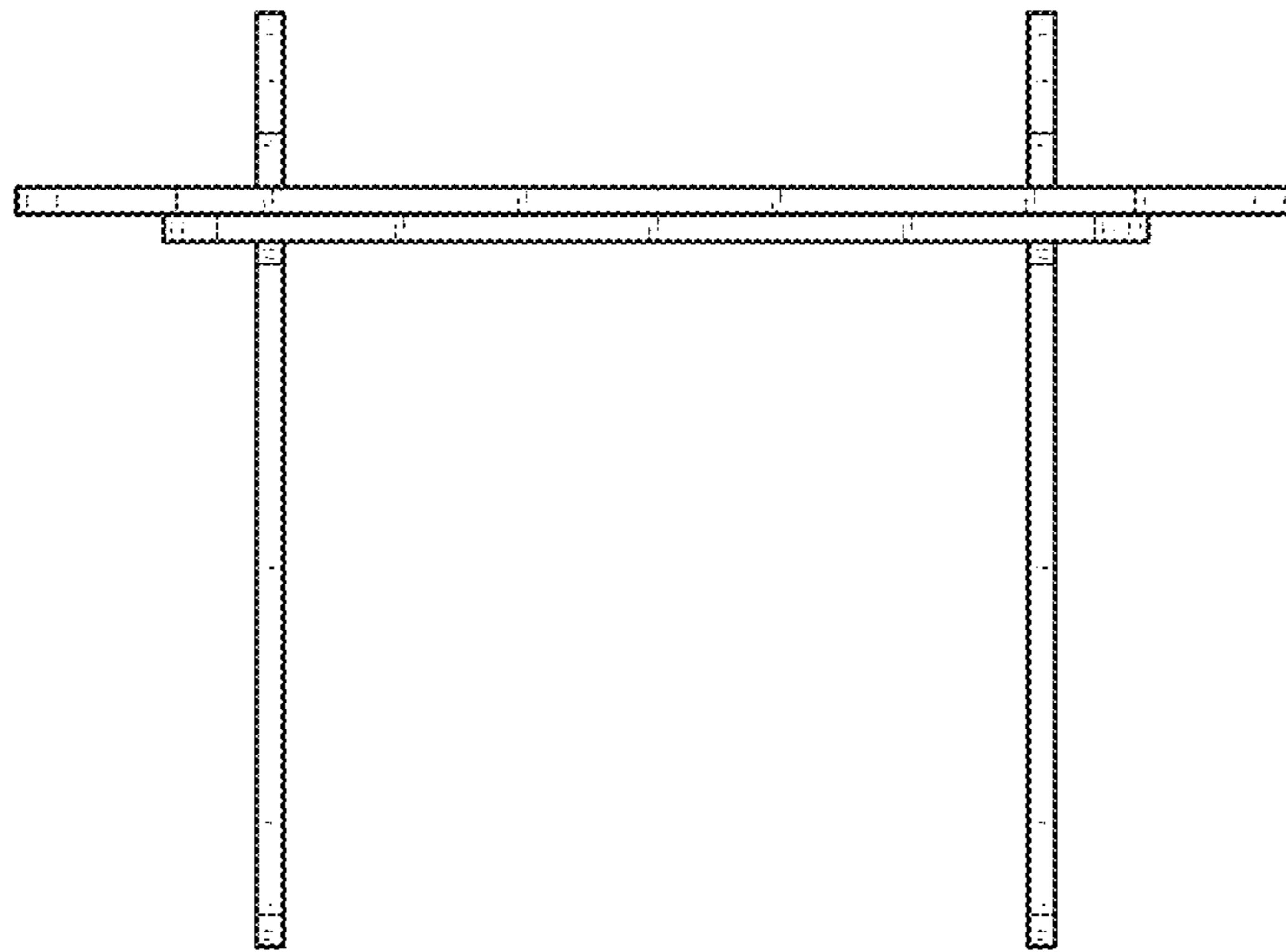


FIG. 20

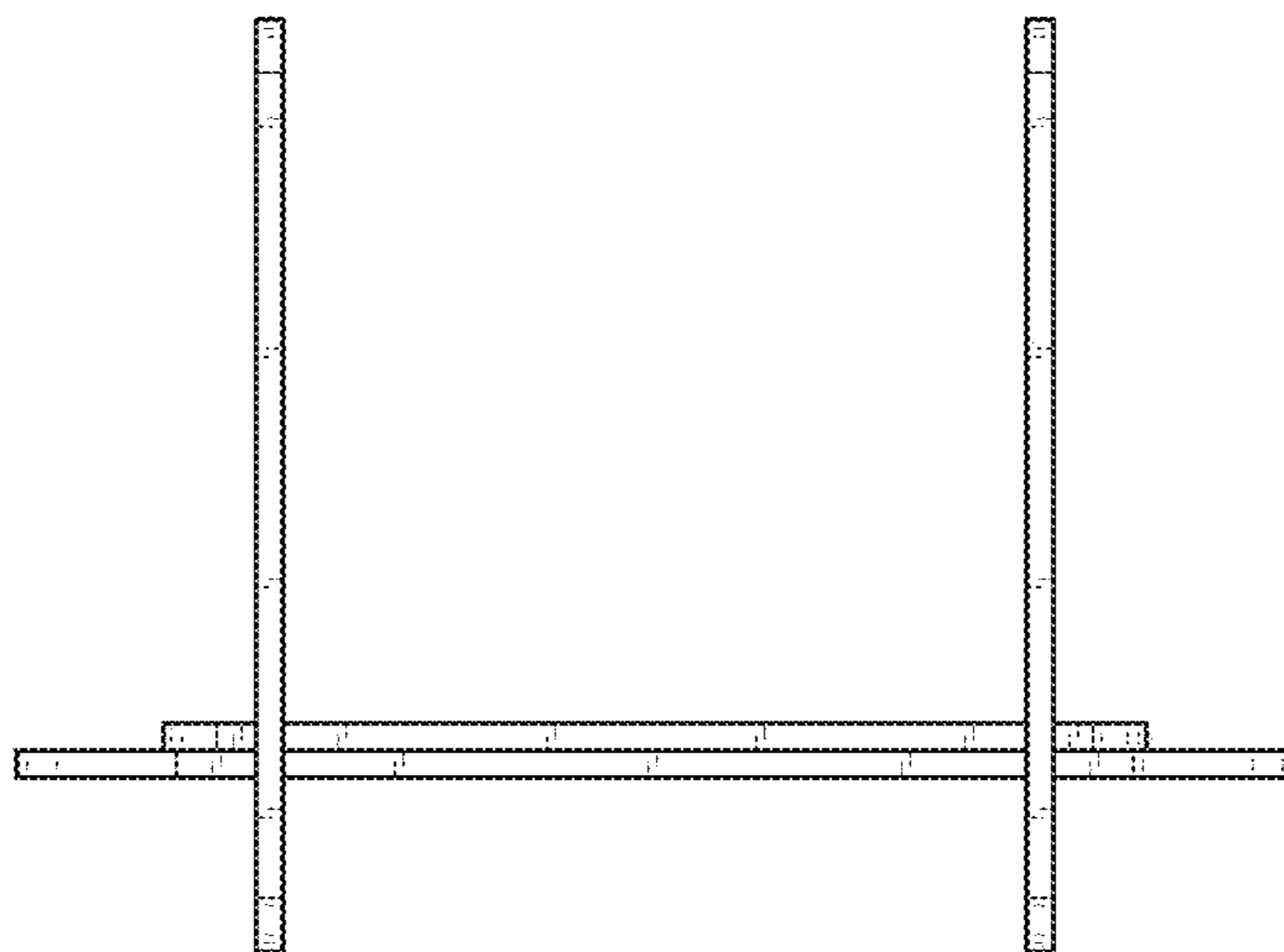


FIG. 21

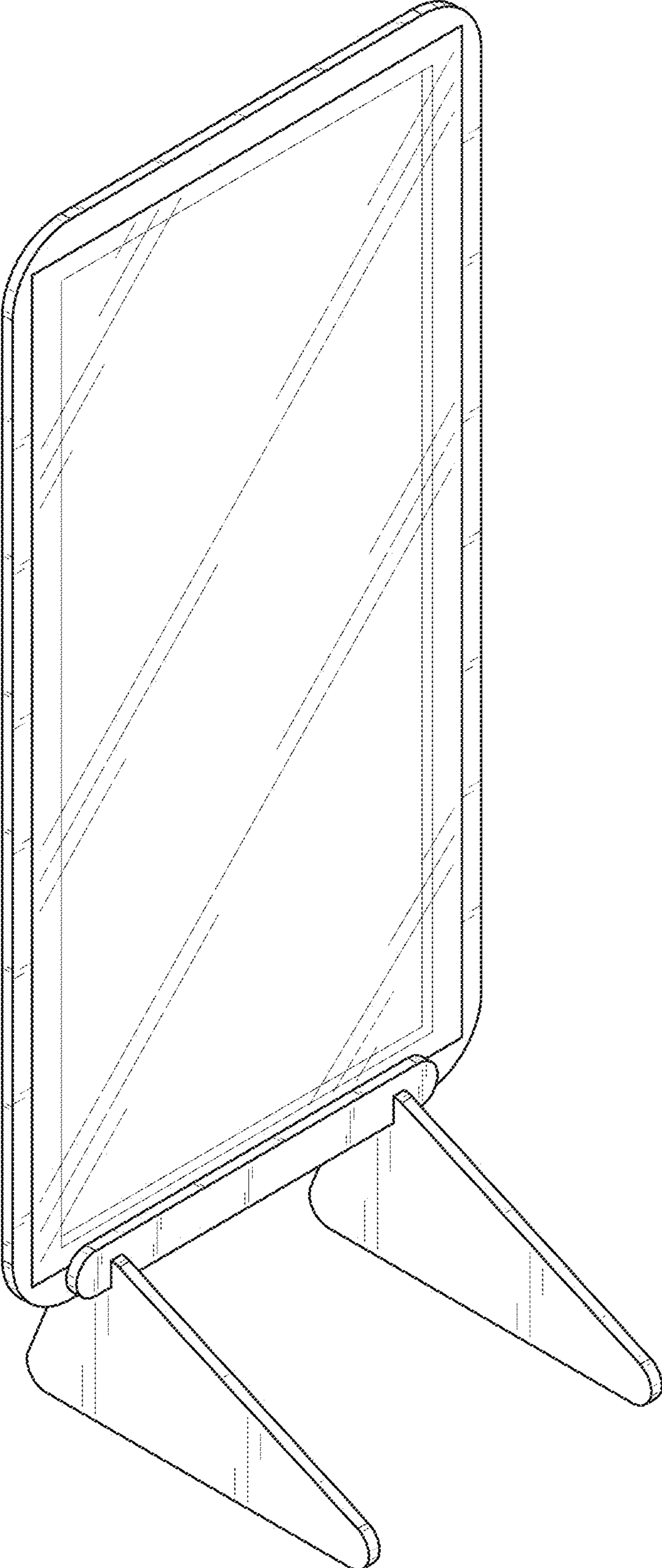


FIG. 22

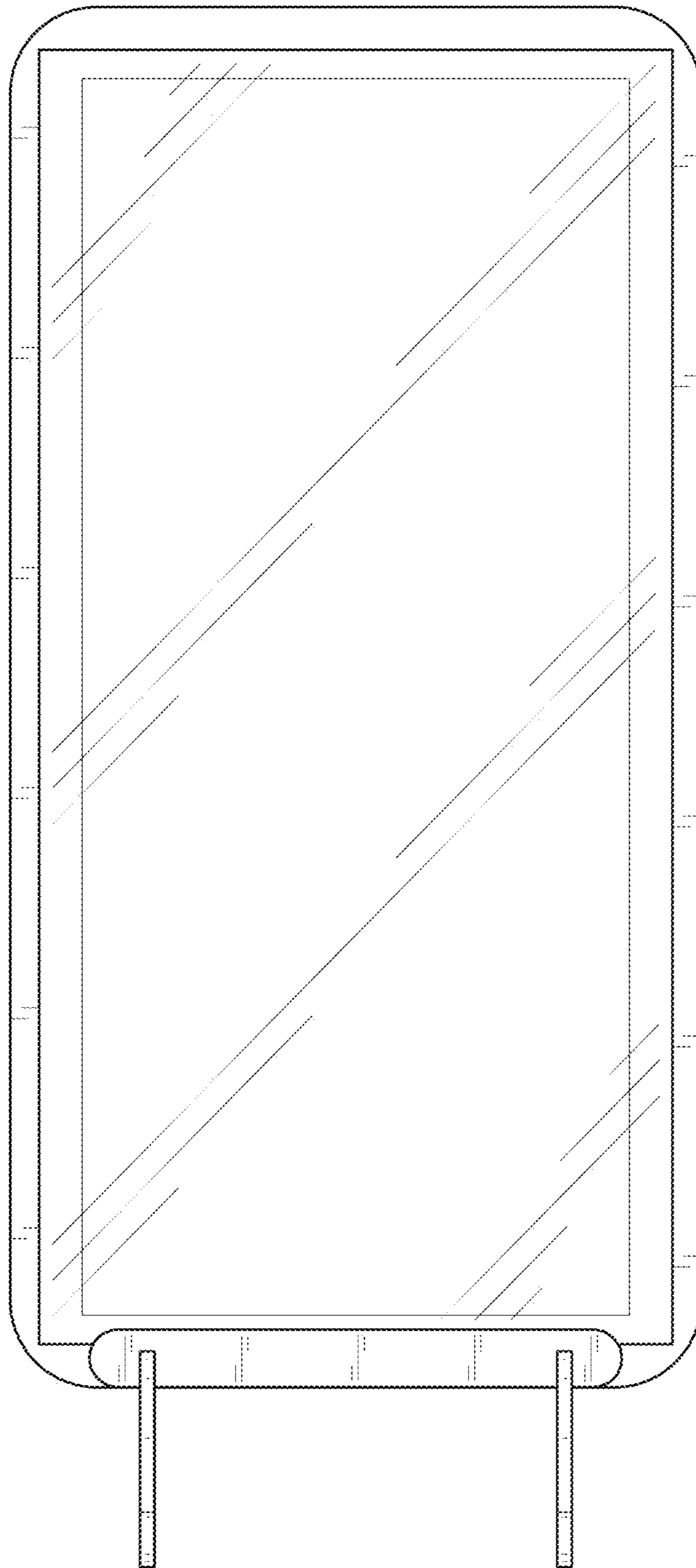


FIG. 23

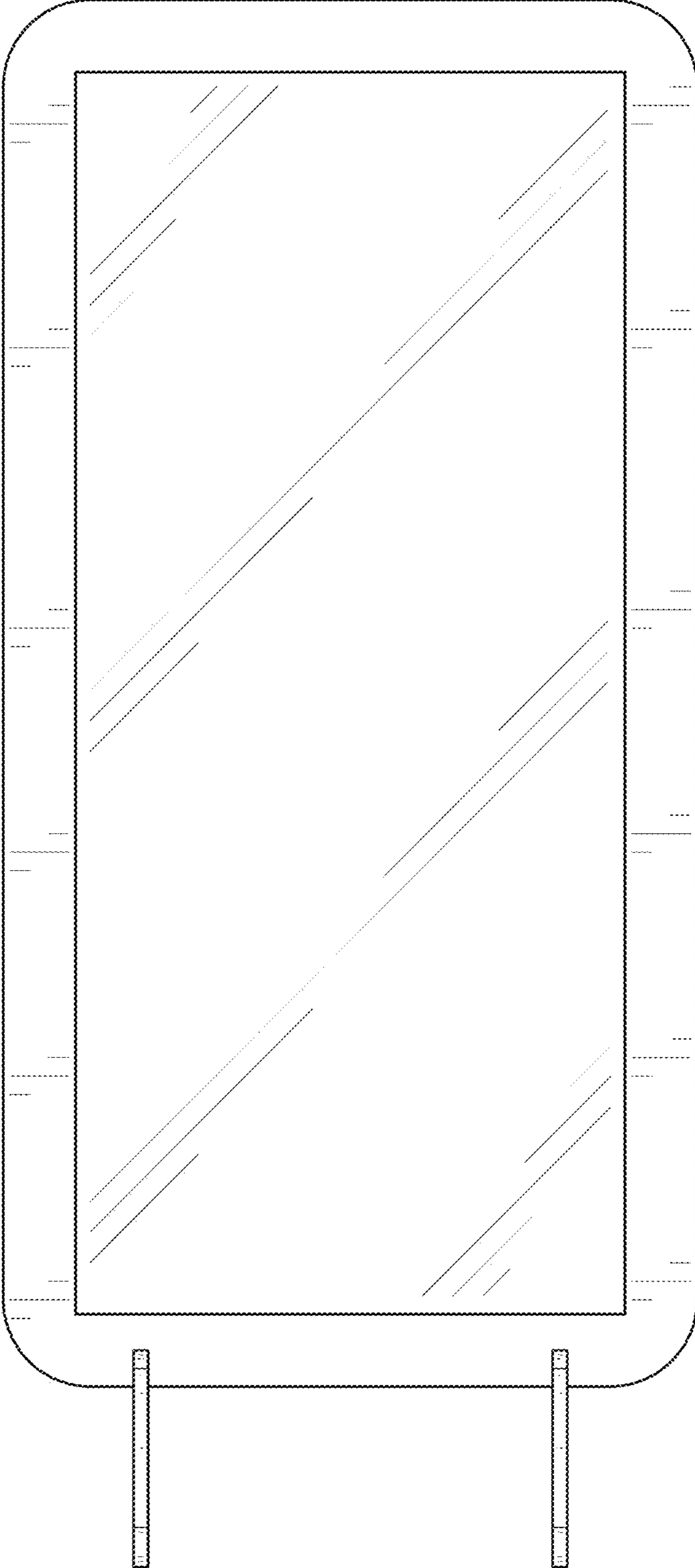


FIG. 24

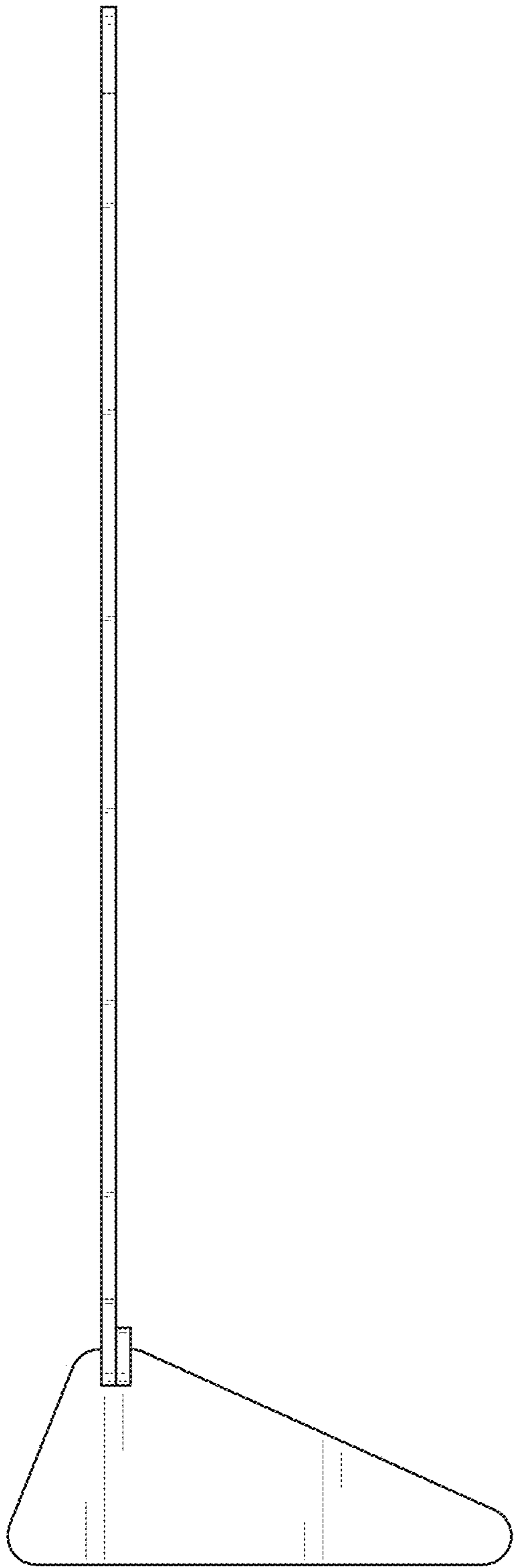


FIG. 25

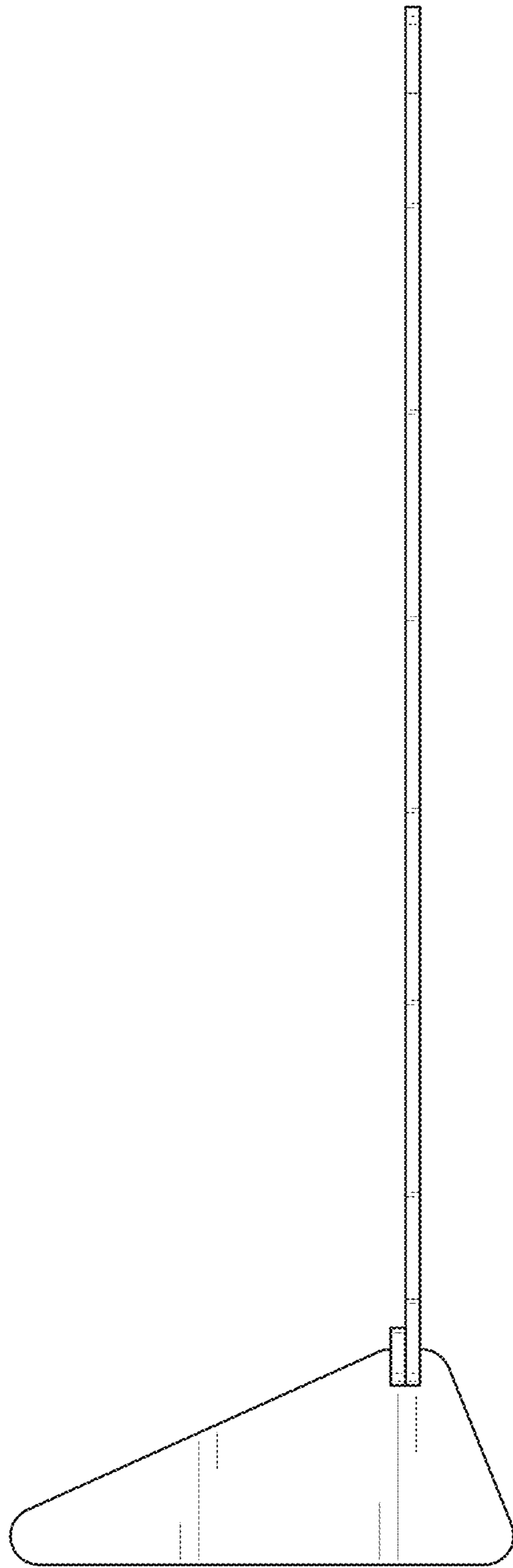


FIG. 26

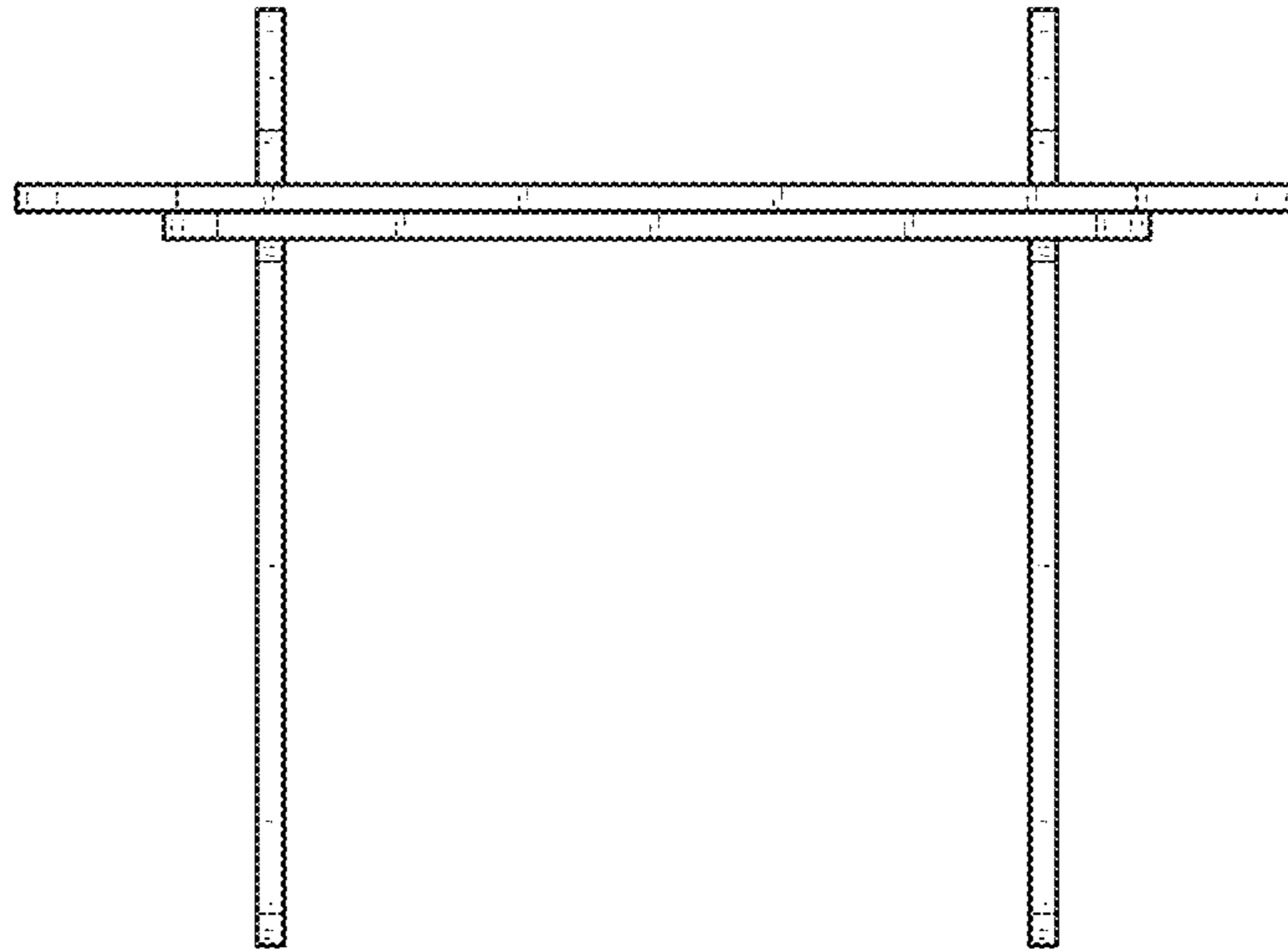


FIG. 27

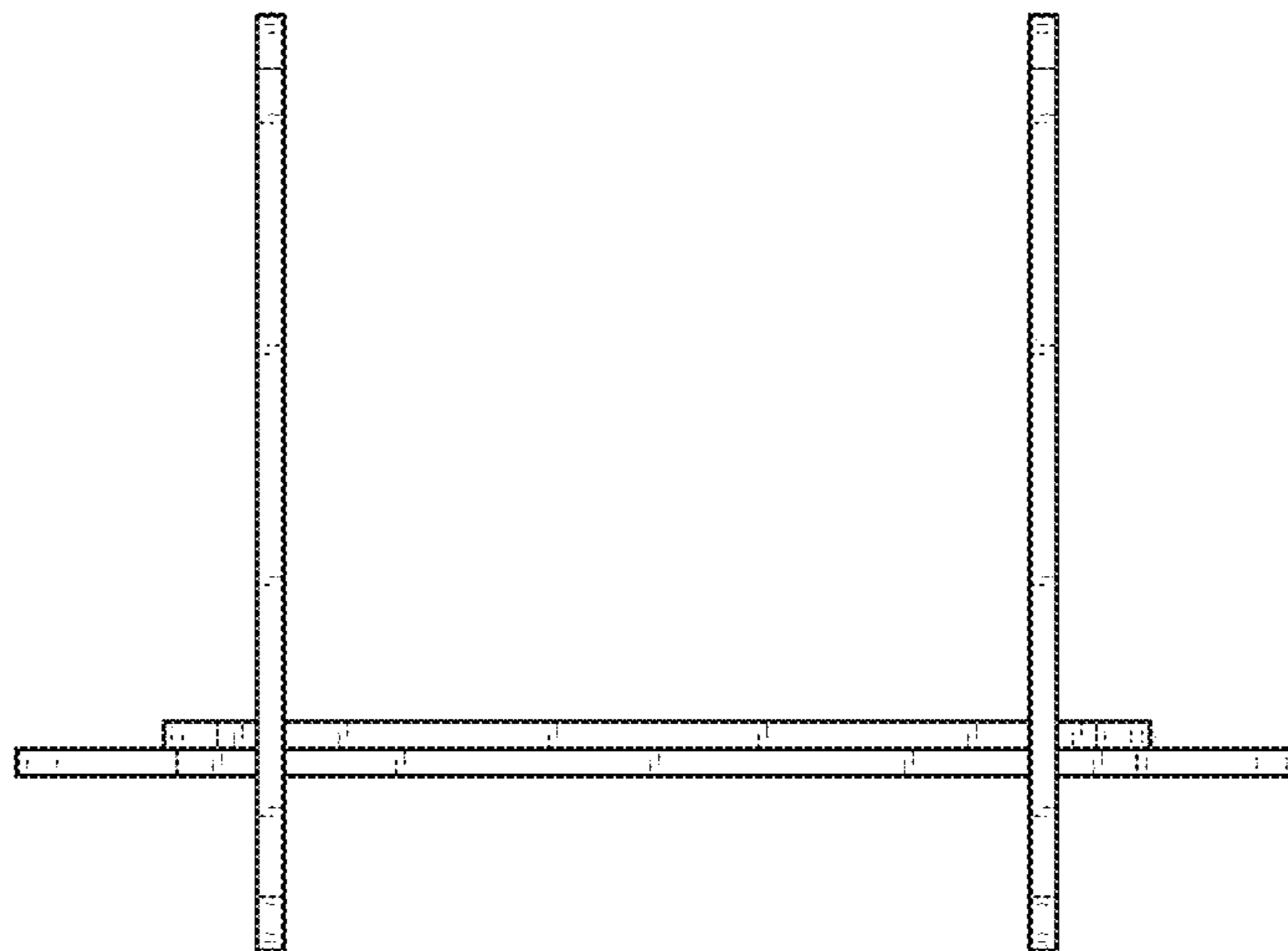


FIG. 28

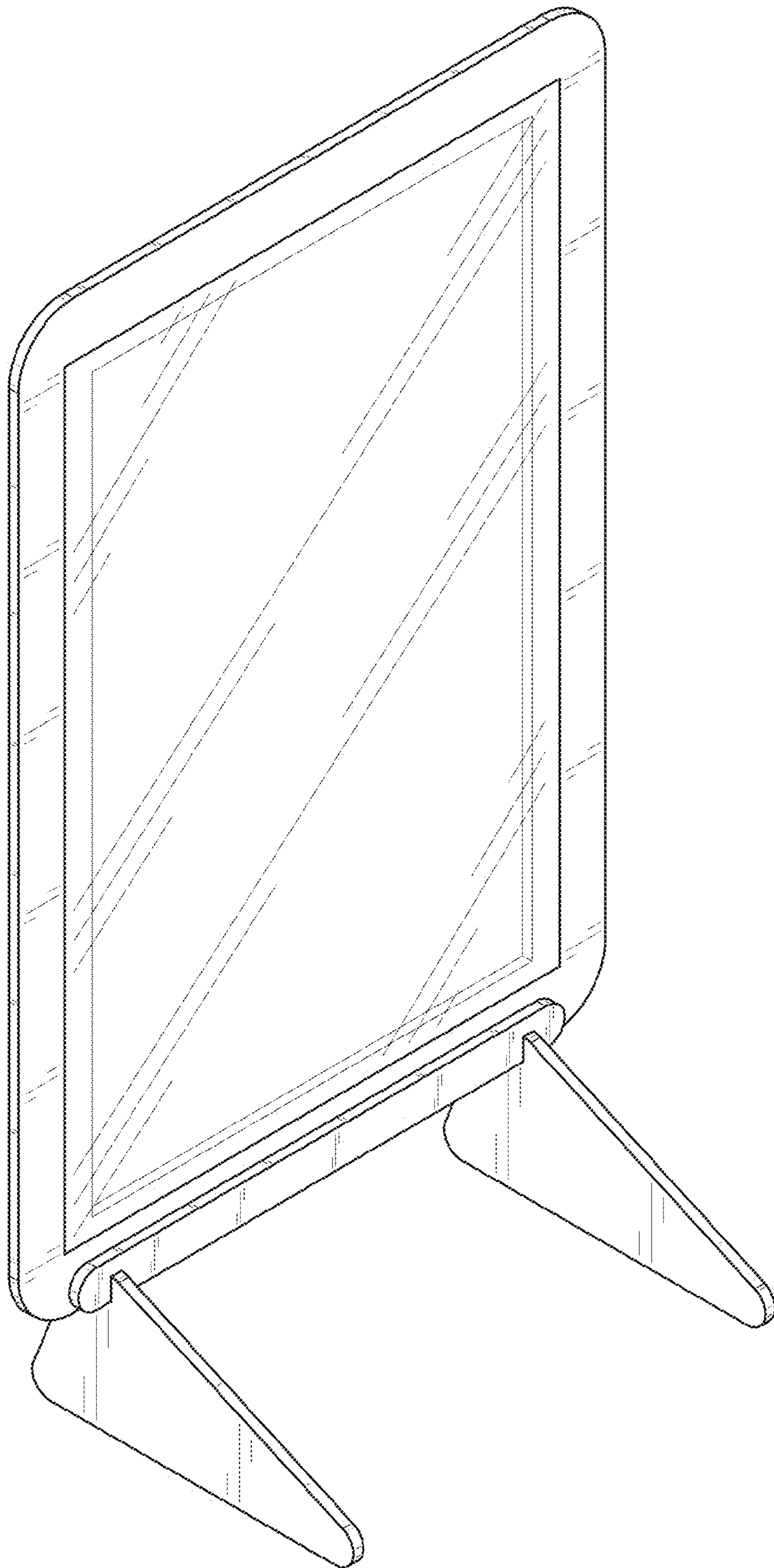


FIG. 29

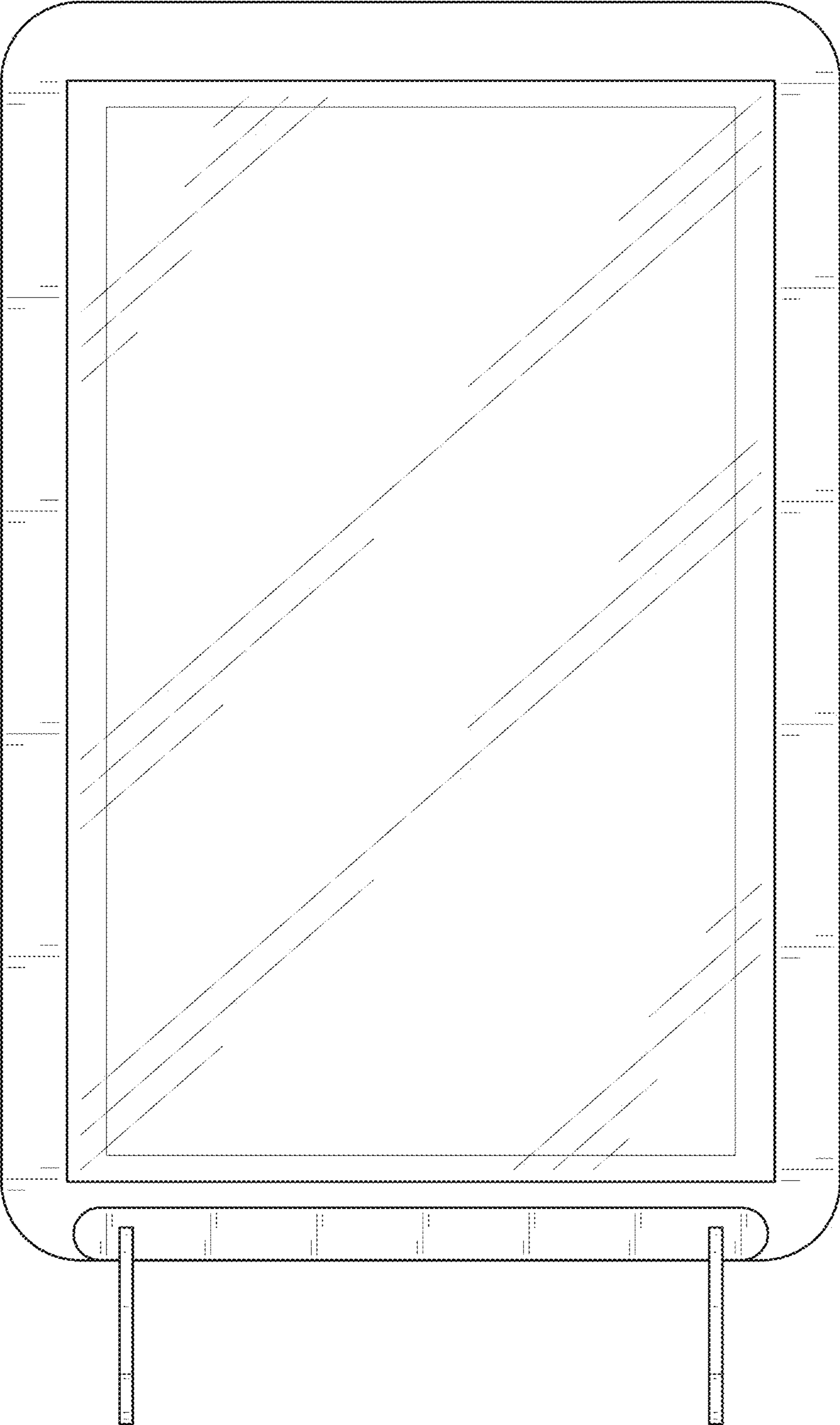


FIG. 30

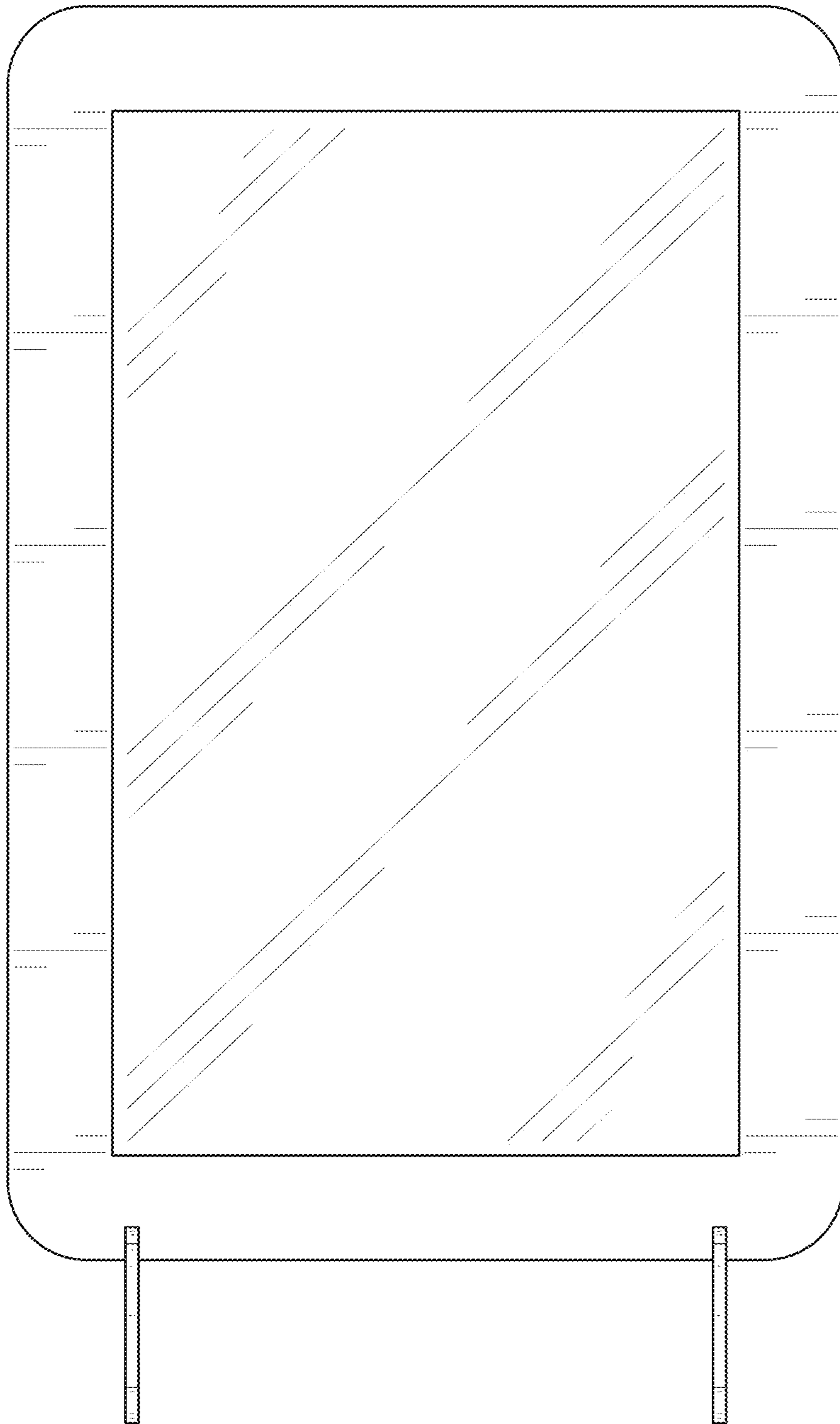


FIG. 31

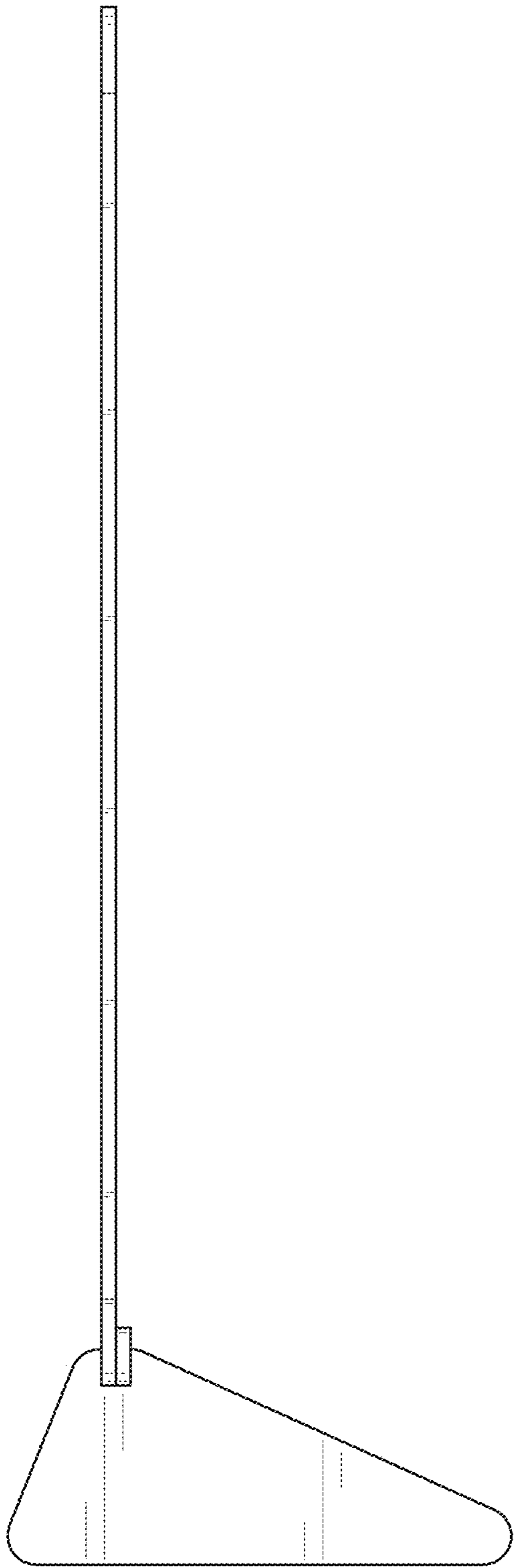


FIG. 32

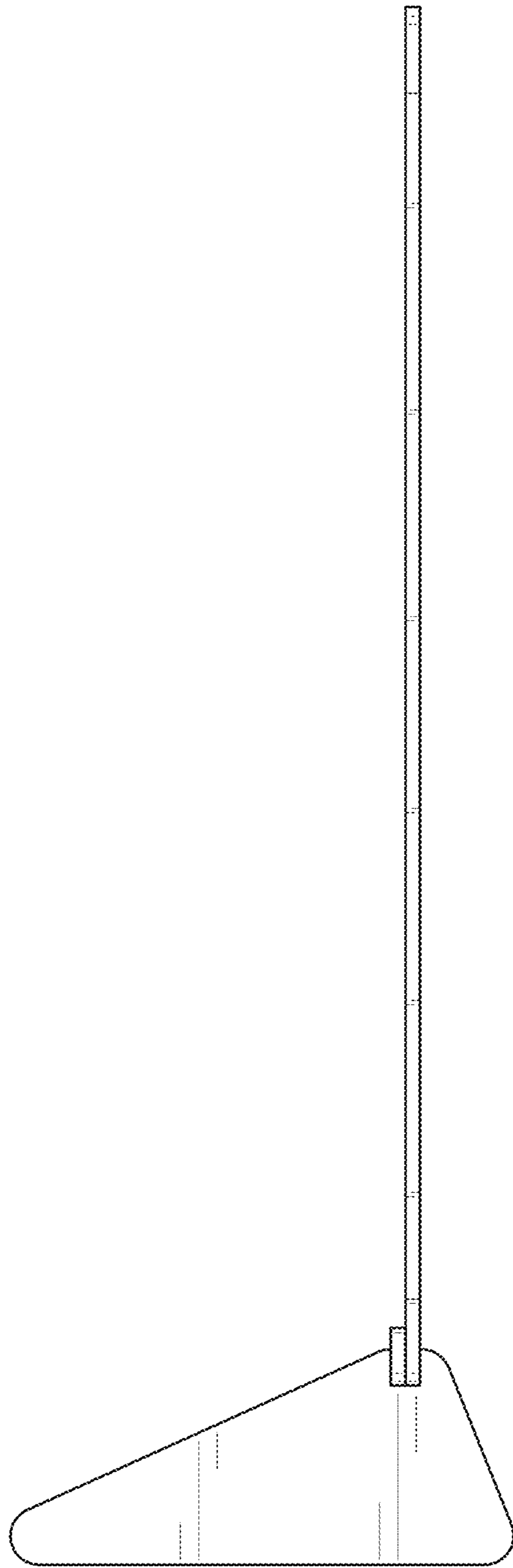


FIG. 33

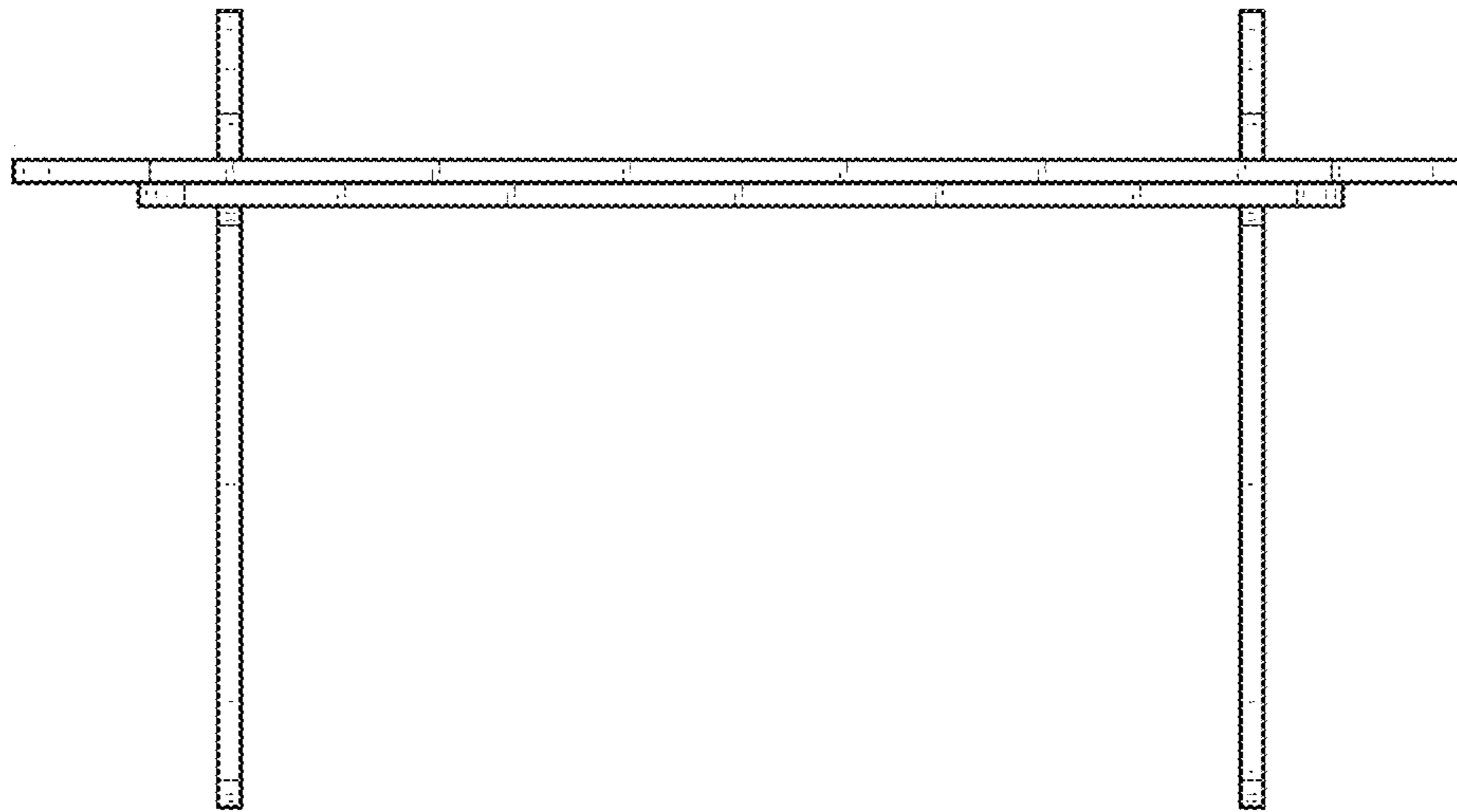


FIG. 34

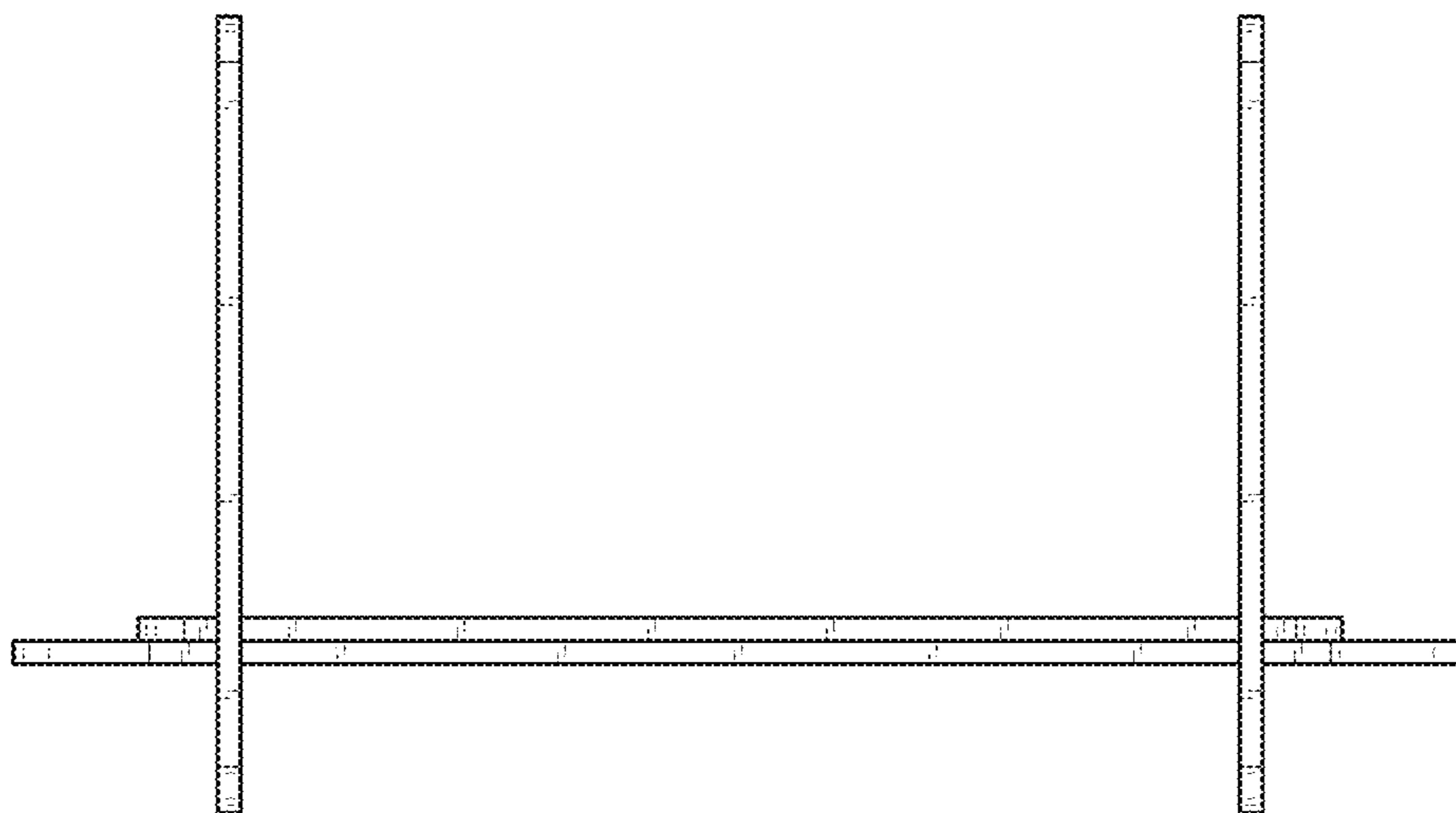


FIG. 35

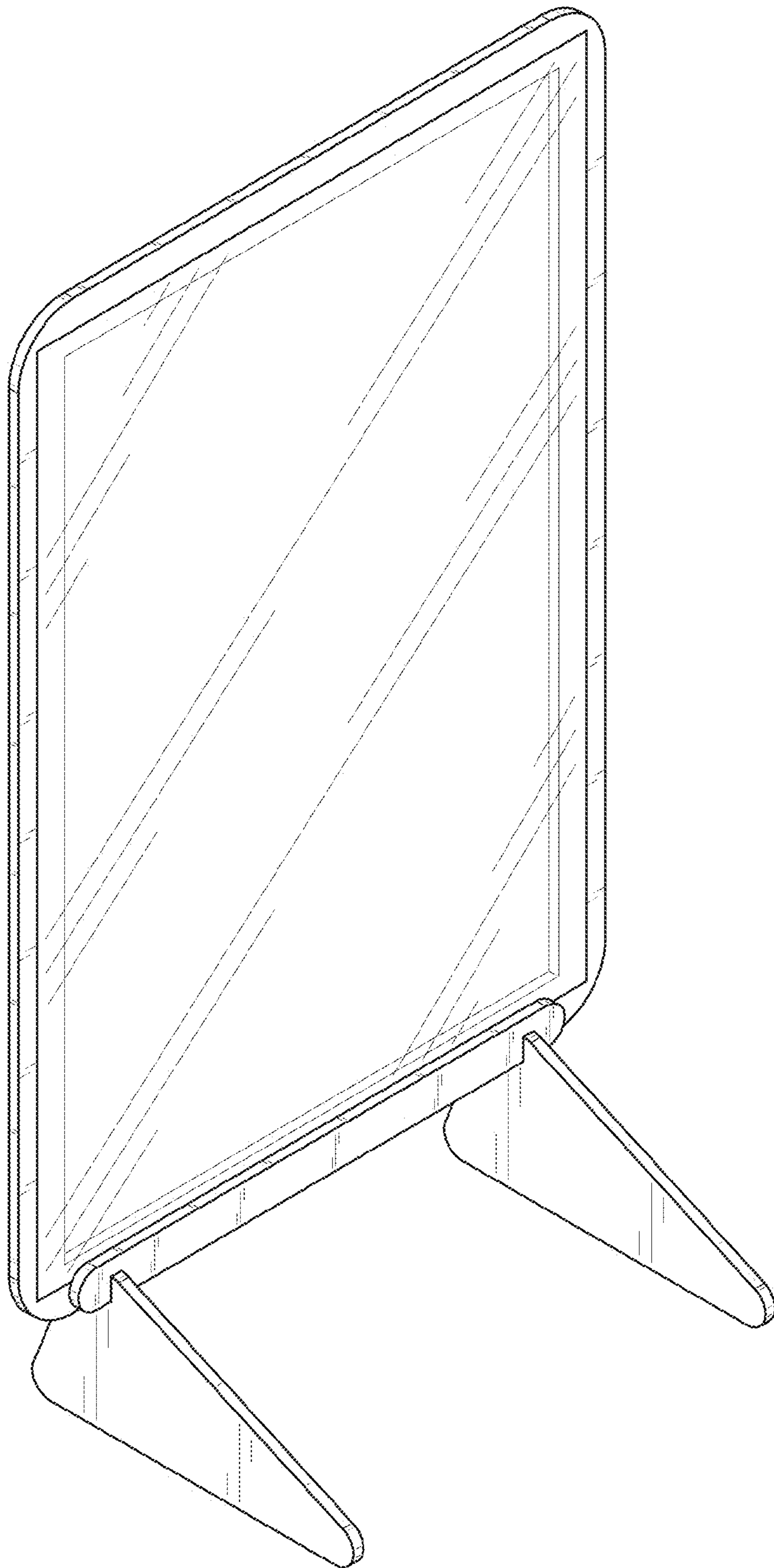


FIG. 36

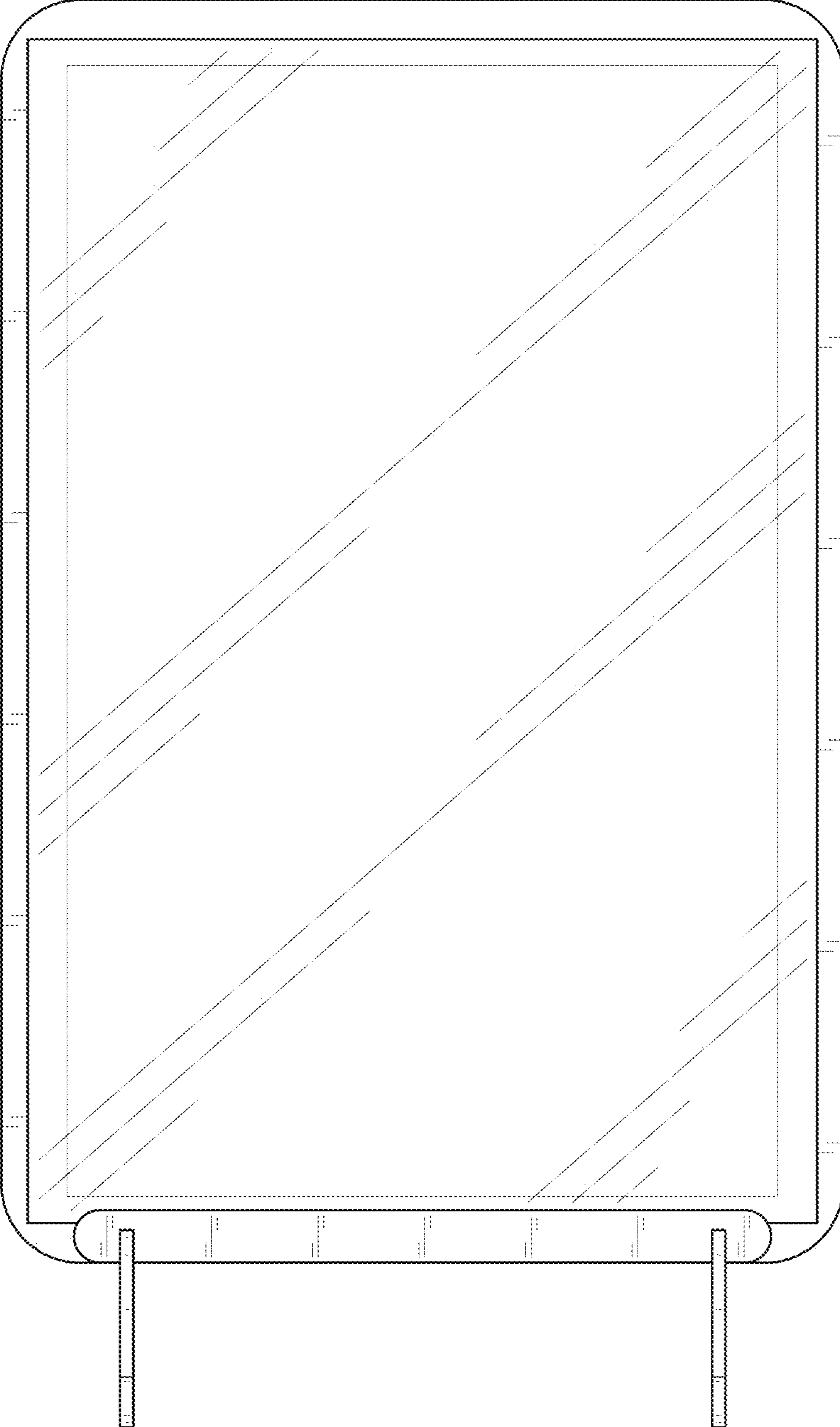


FIG. 37

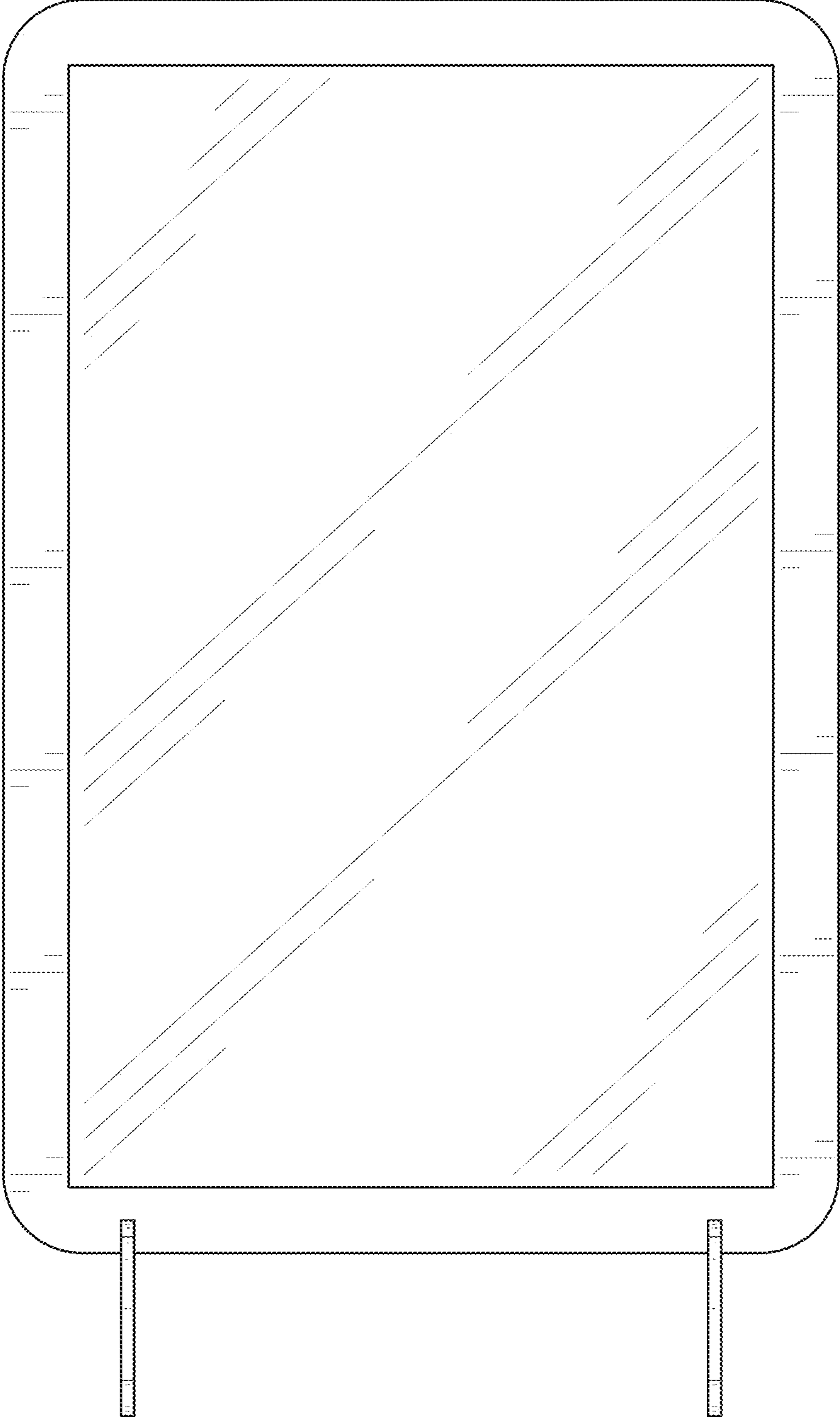


FIG. 38

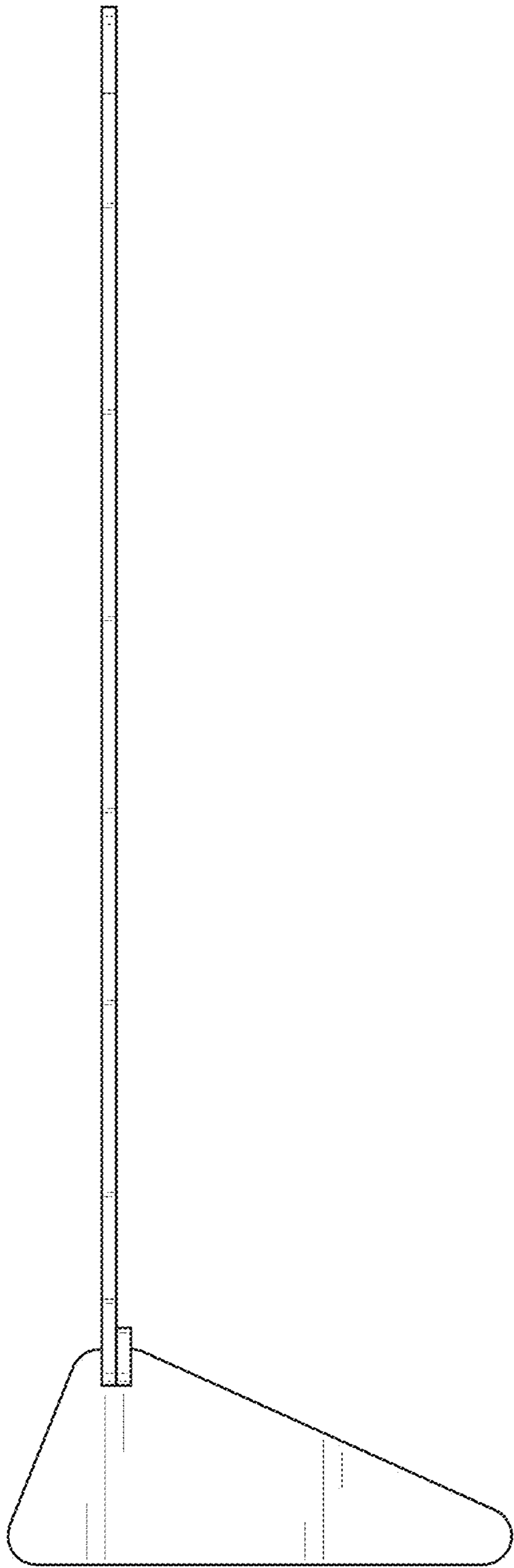


FIG. 39

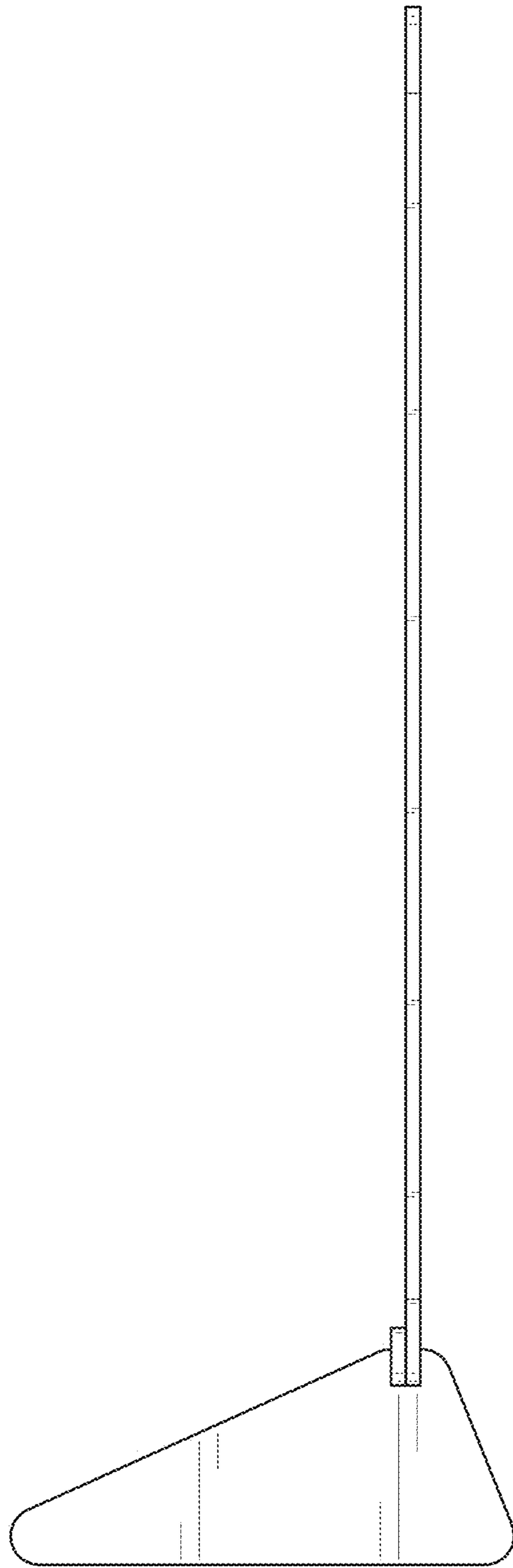


FIG. 40

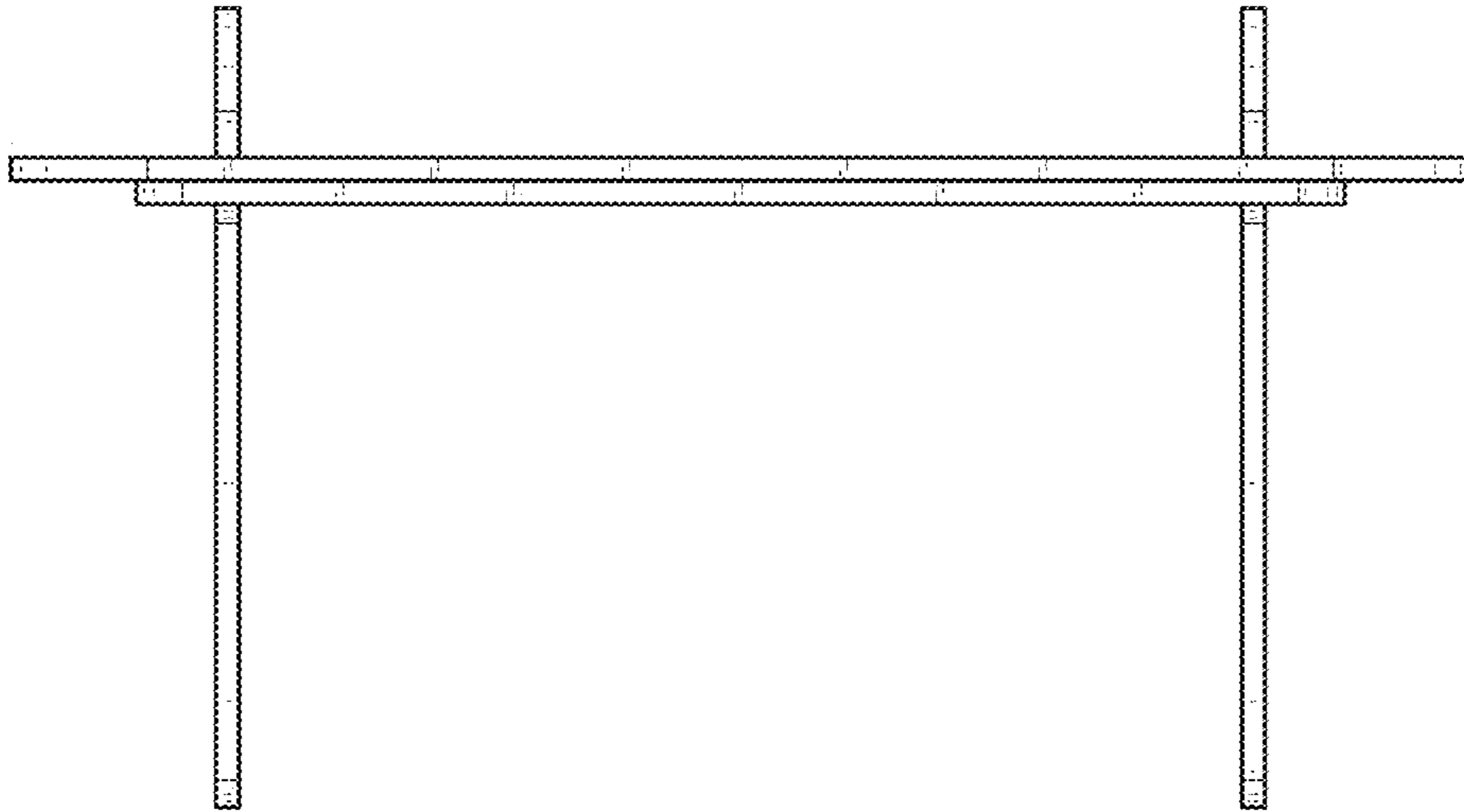


FIG. 41



FIG. 42