



US00D968140S

(12) **United States Design Patent**
Wang

(10) **Patent No.:** **US D968,140 S**
(45) **Date of Patent:** **** Nov. 1, 2022**

(54) **HELMET HOLDER**

(71) Applicant: **Guangzhou blue livestock trading Co., Ltd.**, Guangzhou (CN)

(72) Inventor: **Hao Wang**, Guangzhou (CN)

(**) Term: **15 Years**

(21) Appl. No.: **29/792,726**

(22) Filed: **Apr. 20, 2022**

(51) **LOC (13) Cl.** **06-04**

(52) **U.S. Cl.**

USPC **D6/682.5**; D6/320

(58) **Field of Classification Search**

USPC D6/315, 317-320, 323, 326, 328, 553,
D6/672; D8/367, 372, 373, 380

CPC A47G 25/00; A47G 25/06; A47G 25/10;
A47G 25/28; A47G 25/30; A47G 25/32;
A47G 25/68; A47G 1/00; A47F 7/06

See application file for complete search history.

(56) **References Cited**

U.S. PATENT DOCUMENTS

D124,431 S *	12/1940	Vogt	D6/320
D355,841 S *	2/1995	Goodman	D8/372
D408,637 S *	4/1999	Sparks	D6/320
D507,737 S	7/2005	Flanagan		
D632,096 S *	2/2011	Vessecchia	D6/323
D845,653 S *	4/2019	Wu	D6/320
D889,881 S *	7/2020	Sheffer	D6/320
D935,793 S *	11/2021	Chiang	D6/323
2010/0219214 A1 *	9/2010	Pullum	A47F 7/06 223/84

OTHER PUBLICATIONS

Halley Wall Helmet Rack, found in louis.eu, oldest review date of Jan. 10, 2020, site visited on Jul. 29, 2022, URL:https://www.louis.eu/artikel/halley-wall-helmet-rack-for-motorcycle-helmet/10015219 (Year: 2020).*

Magicfour Helmet Holder, available in Amazon.com, first available date of May 11, 2021, site visited on Jul. 29, 2022, URL:https://www.amazon.com/Magicfour-Helmet-Rotation-Motorcycle-Baseballs/dp/B094MX4V7Z?th=1 (Year: 2021).*

Design # 008862106-0002, App. Date Feb. 16, 2022, Country code EU, Publication date Feb. 24, 2022, Owner name Hangzhou Motuo Technology Co., Ltd., Creator Zicheng Wang (Year: 2022).*

* cited by examiner

Primary Examiner — Joseph Kukella

Assistant Examiner — Mark David Wolfley

(57) **CLAIM**

The ornamental design for a helmet holder, as shown and described.

DESCRIPTION

FIG. 1 is a front, top perspective view of a helmet holder, showing my new design;

FIG. 2 is a rear, bottom perspective view thereof;

FIG. 3 is a front elevation view thereof;

FIG. 4 is a rear elevation view thereof;

FIG. 5 is a left side elevation view thereof;

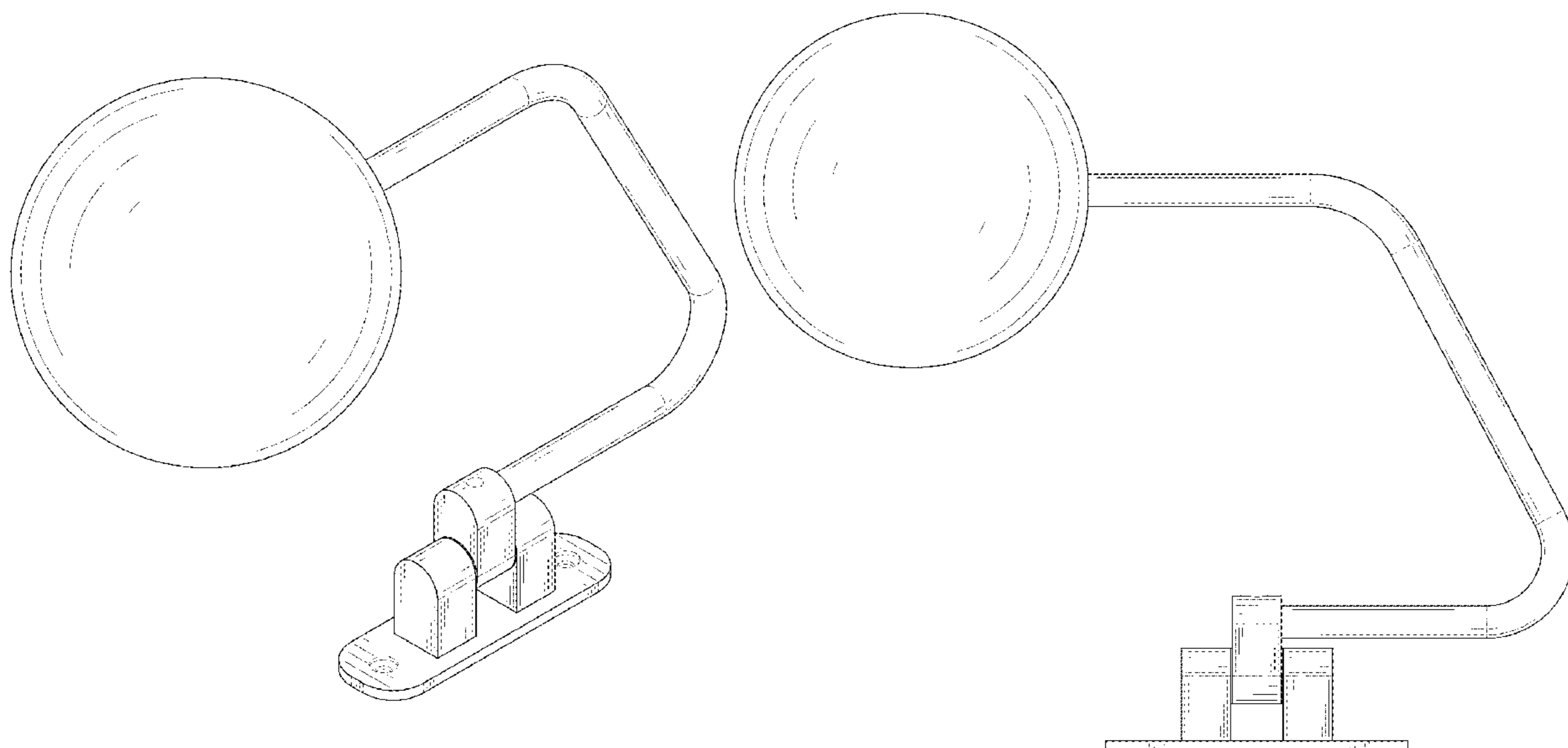
FIG. 6 is a right side elevation view thereof;

FIG. 7 is a top plan view thereof; and,

FIG. 8 is a bottom plan view thereof.

The broken lines in the figures illustrate portions of the helmet holder that form no part of the claimed design.

1 Claim, 8 Drawing Sheets



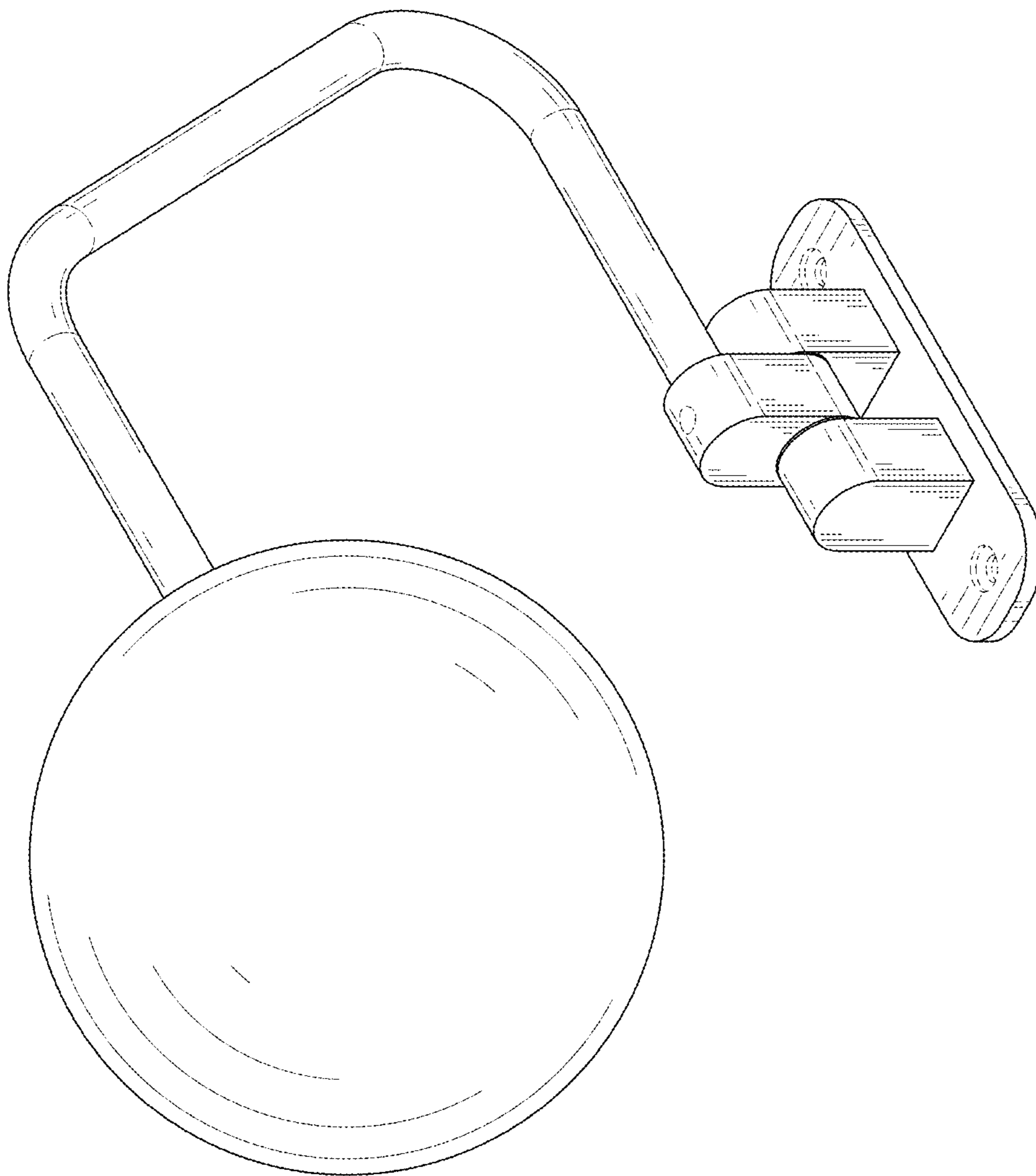


FIG. 1

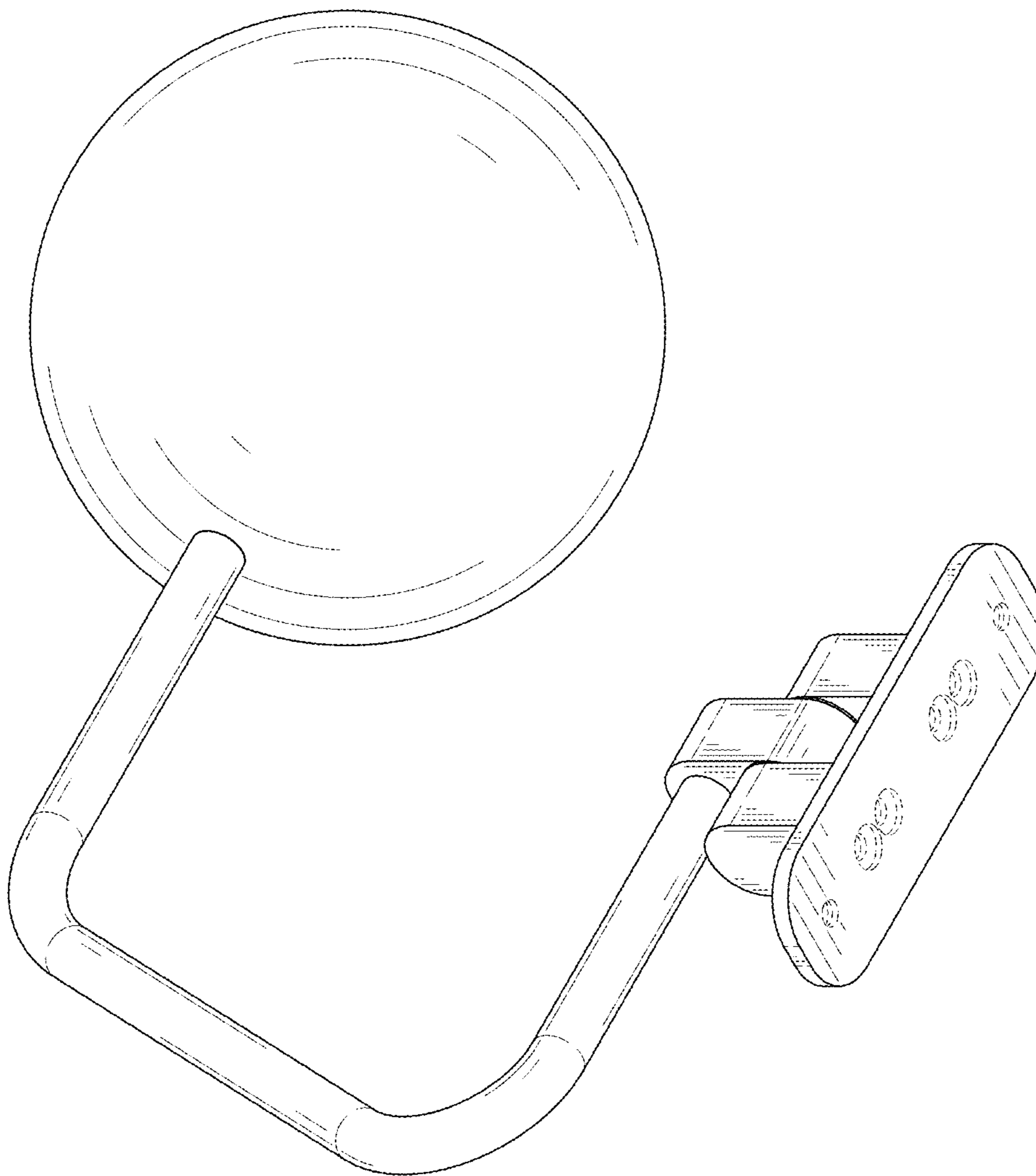


FIG. 2

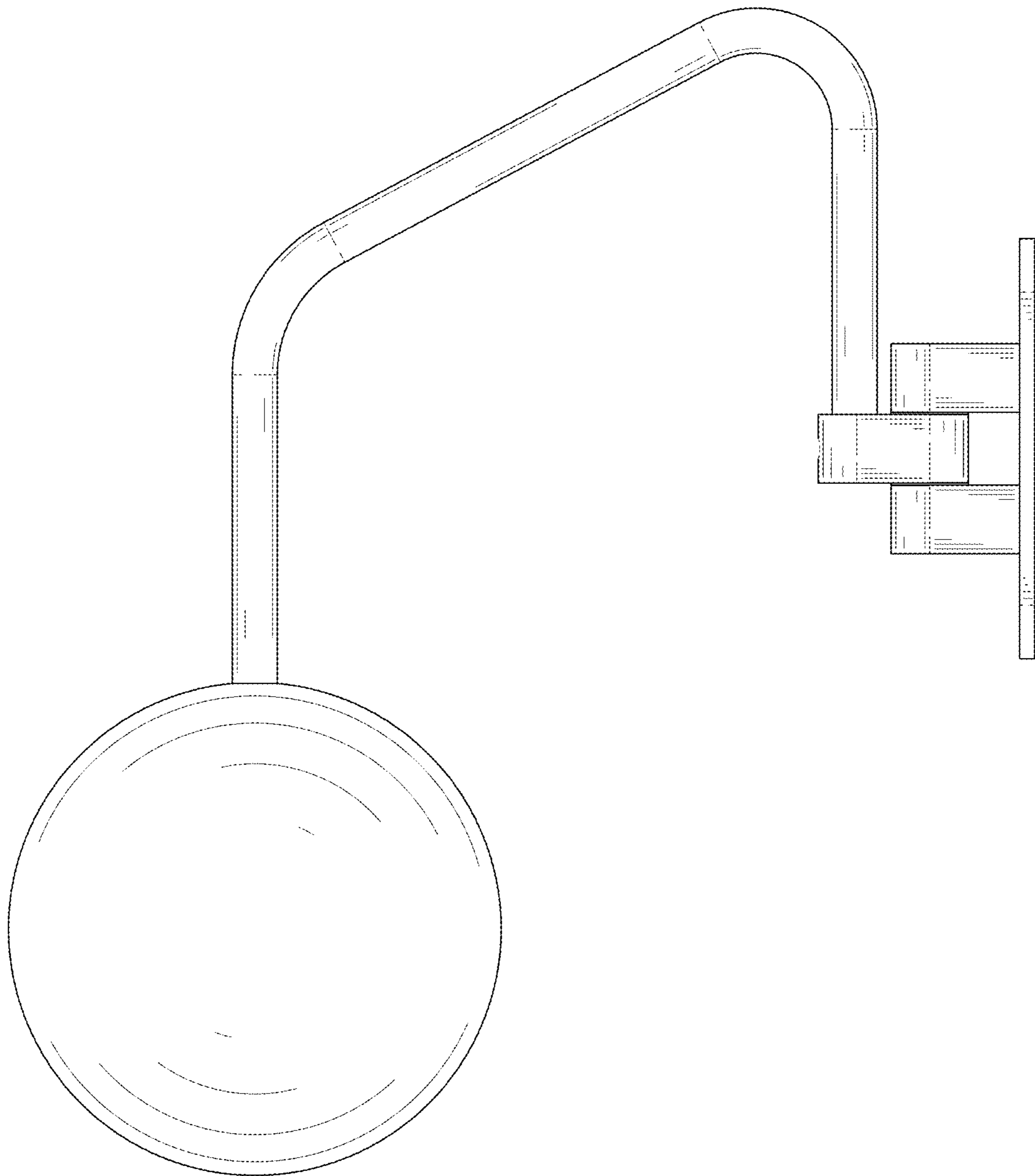


FIG. 3

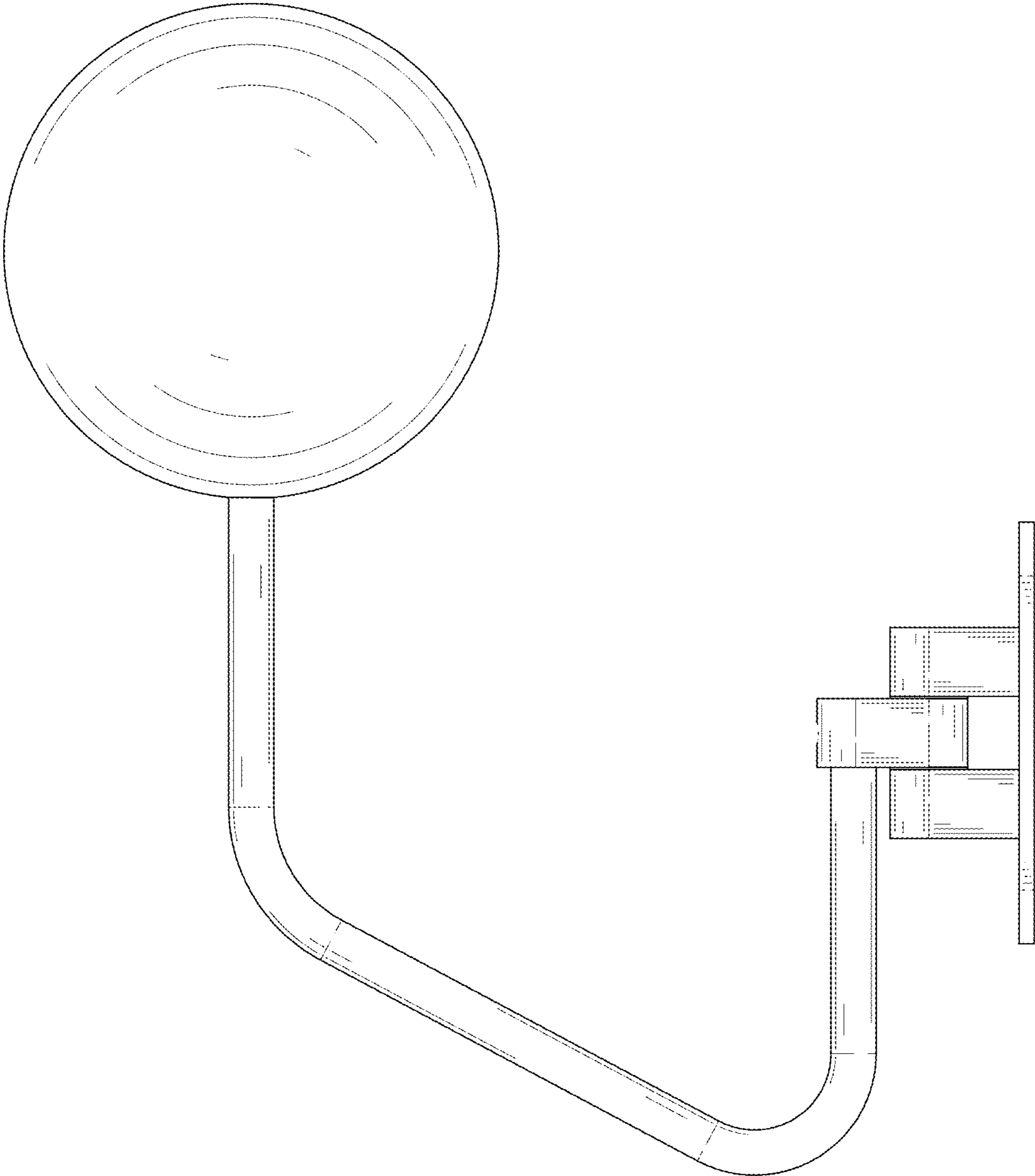


FIG. 4

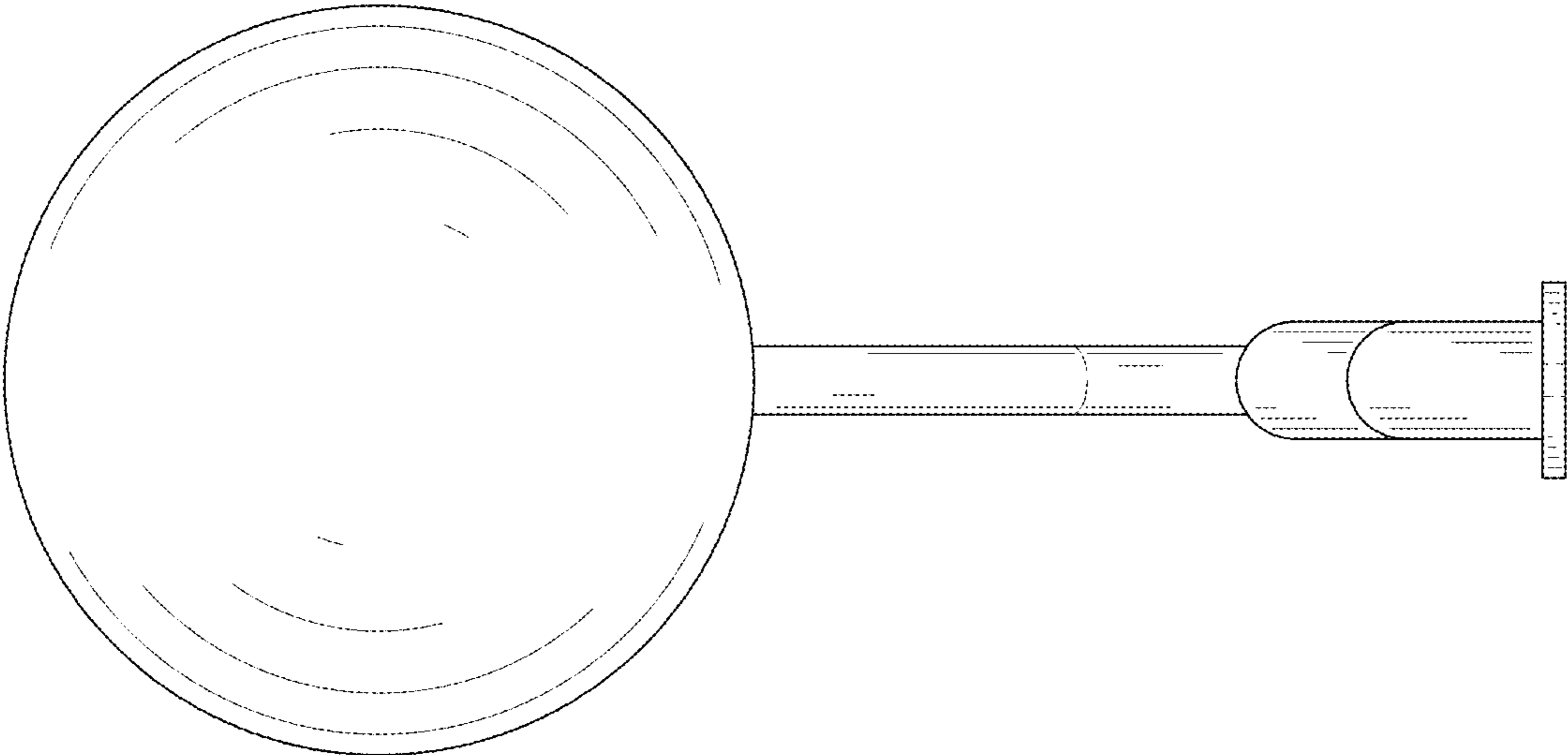


FIG. 5

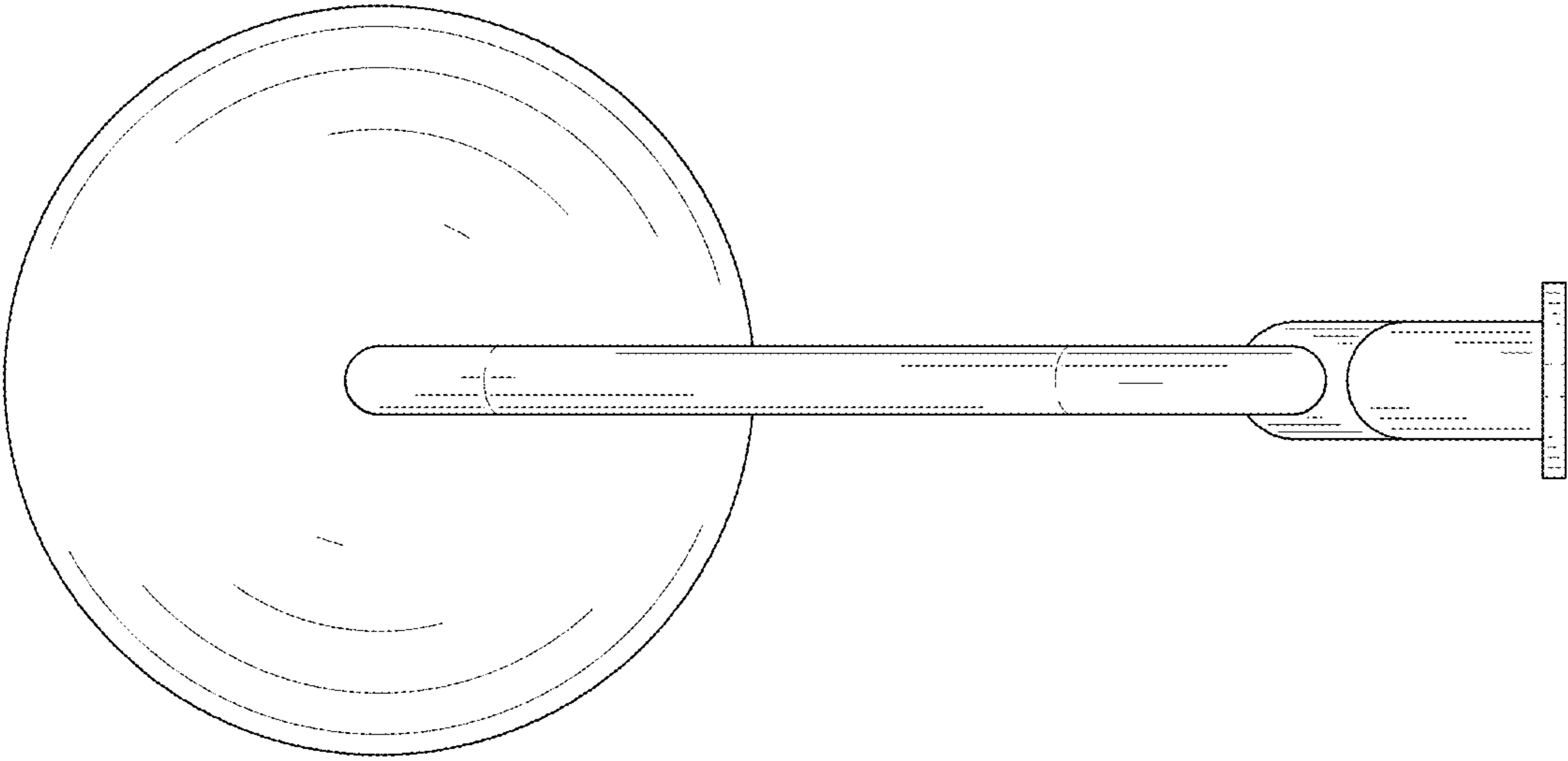


FIG. 6

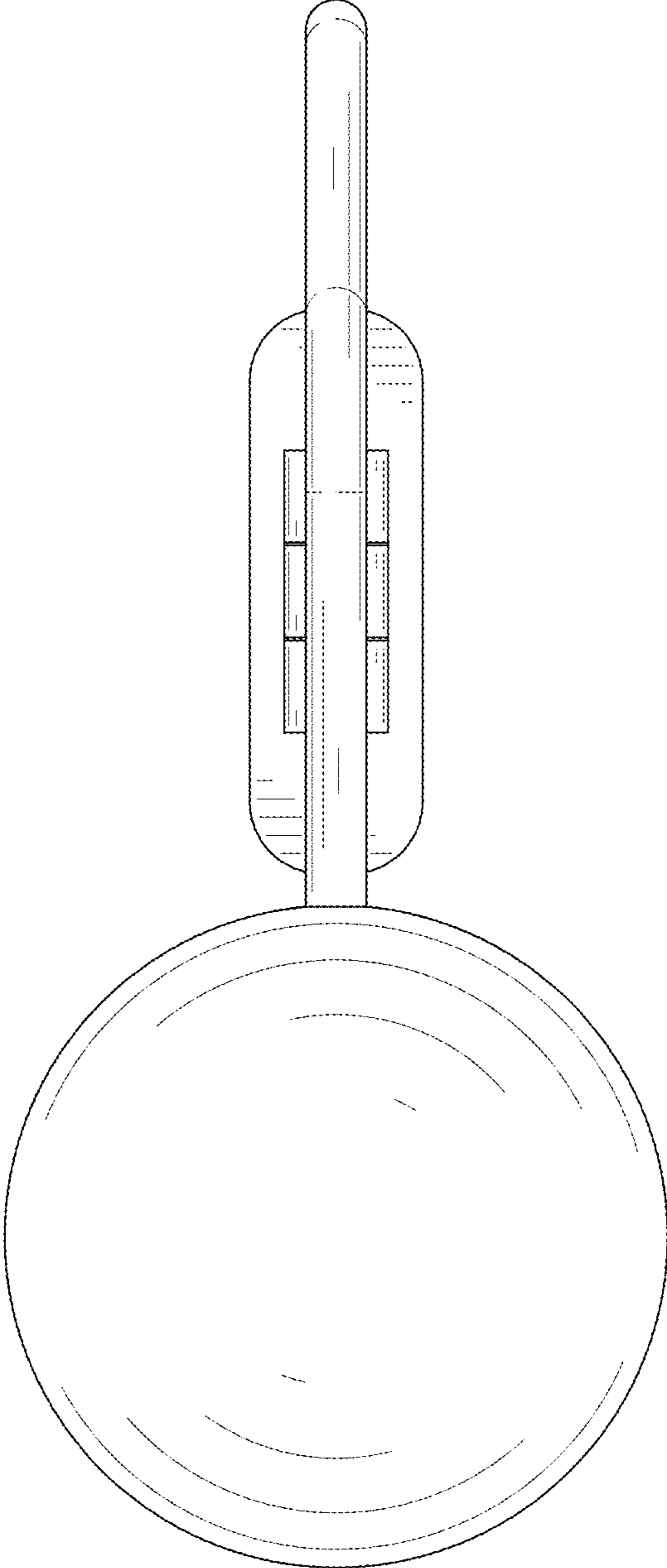


FIG. 7

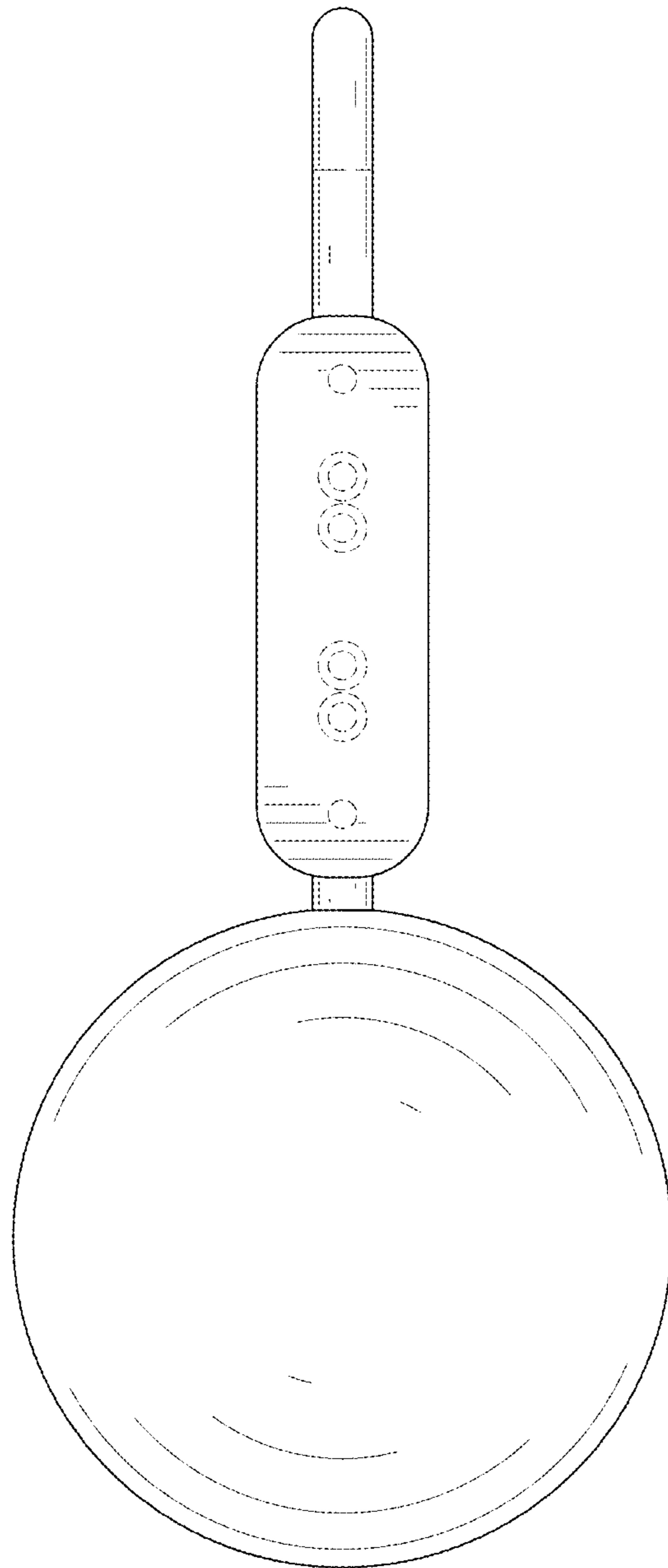


FIG. 8