



US00D968135S

(12) **United States Design Patent**
Tang

(10) **Patent No.:** **US D968,135 S**
(45) **Date of Patent:** **** Nov. 1, 2022**

- (54) **DISPLAY STAND**
- (71) Applicant: **Zhuoli (Guangzhou) E-Commerce Co., Ltd.**, Guangzhou (CN)
- (72) Inventor: **Yulin Tang**, Guangzhou (CN)
- (**) Term: **15 Years**
- (21) Appl. No.: **29/818,473**
- (22) Filed: **Dec. 9, 2021**
- (30) **Foreign Application Priority Data**
 - Sep. 29, 2021 (CN) 202130648733.7
- (51) **LOC (13) Cl.** **06-06**
- (52) **U.S. Cl.**
USPC **D6/675; D14/447**
- (58) **Field of Classification Search**
 - USPC D6/406.3, 406.4, 406.5, 406.6, 672, 673, D6/675, 675.1, 675.3, 684-686, 698, 702, D6/704, 705; D14/434, 439, 447, 448, D14/451
 - CPC A47F 5/16; A47F 5/0081; A47B 23/00; A47B 23/04; A47B 2023/049; F16M 11/04; F16M 13/02

See application file for complete search history.

- (56) **References Cited**
 - U.S. PATENT DOCUMENTS**
 - D221,072 S * 7/1971 Arenhold et al. D6/349
 - D563,961 S * 3/2008 Hughes D14/447
 - D771,984 S * 11/2016 Tsai D6/675.5
 - D785,638 S * 5/2017 Hsu D14/447
 - D808,697 S * 1/2018 Heckler D6/705
 - D824,916 S * 8/2018 Chen D14/447
 - 10,092,099 B1 * 10/2018 Linari A47B 61/04
 - D857,705 S * 8/2019 Hu D14/451
 - D864,211 S * 10/2019 Tuang D14/451

D903,389 S *	12/2020	Carvalho	D6/705
D904,806 S *	12/2020	Zhang	A47C 7/68
				D6/675
D908,133 S *	1/2021	Huang	D14/447
D910,645 S *	2/2021	Lyu	D14/451
D914,028 S *	3/2021	Lyu	D14/451
D914,692 S *	3/2021	Lyu	D14/451
D915,105 S *	4/2021	Xie	D6/675
D915,798 S *	4/2021	Smith et al.		
D933,461 S *	10/2021	Xie	D14/239
D935,471 S *	11/2021	Huang	D14/451
D936,997 S *	11/2021	Li	D6/406.6
D942,462 S *	2/2022	Xie	D14/447
D945,430 S *	3/2022	Zhang	D14/447
D956,055 S *	6/2022	Wang	D14/451
D958,148 S *	7/2022	Chen	D14/447
2015/0320225 A1 *	11/2015	Boyd	A47C 19/028
				5/200.1

* cited by examiner

Primary Examiner — Kelley A Donnelly

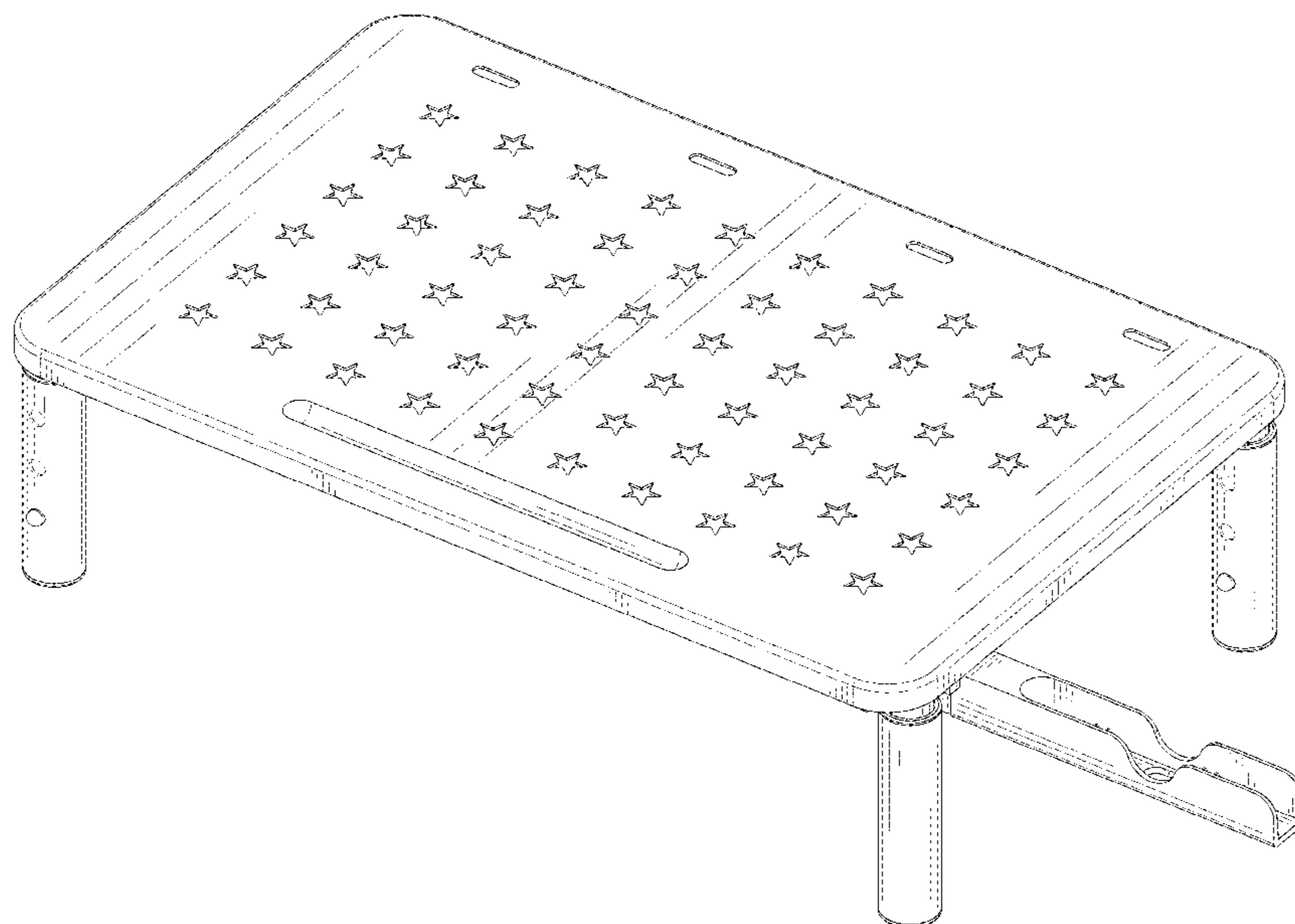
(57) **CLAIM**

The ornamental design for a display stand, as shown and described.

DESCRIPTION

FIG. 1 is a front and top perspective view of a display stand, showing my new design;
 FIG. 2 is a rear and bottom perspective view thereof;
 FIG. 3 is a front elevation view thereof;
 FIG. 4 is a rear elevation view thereof;
 FIG. 5 is a left side elevation view thereof;
 FIG. 6 is a right side elevation view thereof;
 FIG. 7 is a top plan view thereof;
 FIG. 8 is a bottom plan view thereof; and,
 FIG. 9 is another perspective view thereof, shown in an alternative position.
 The broken lines in the figures illustrate portions of the display stand that form no part of the claimed design.

1 Claim, 9 Drawing Sheets



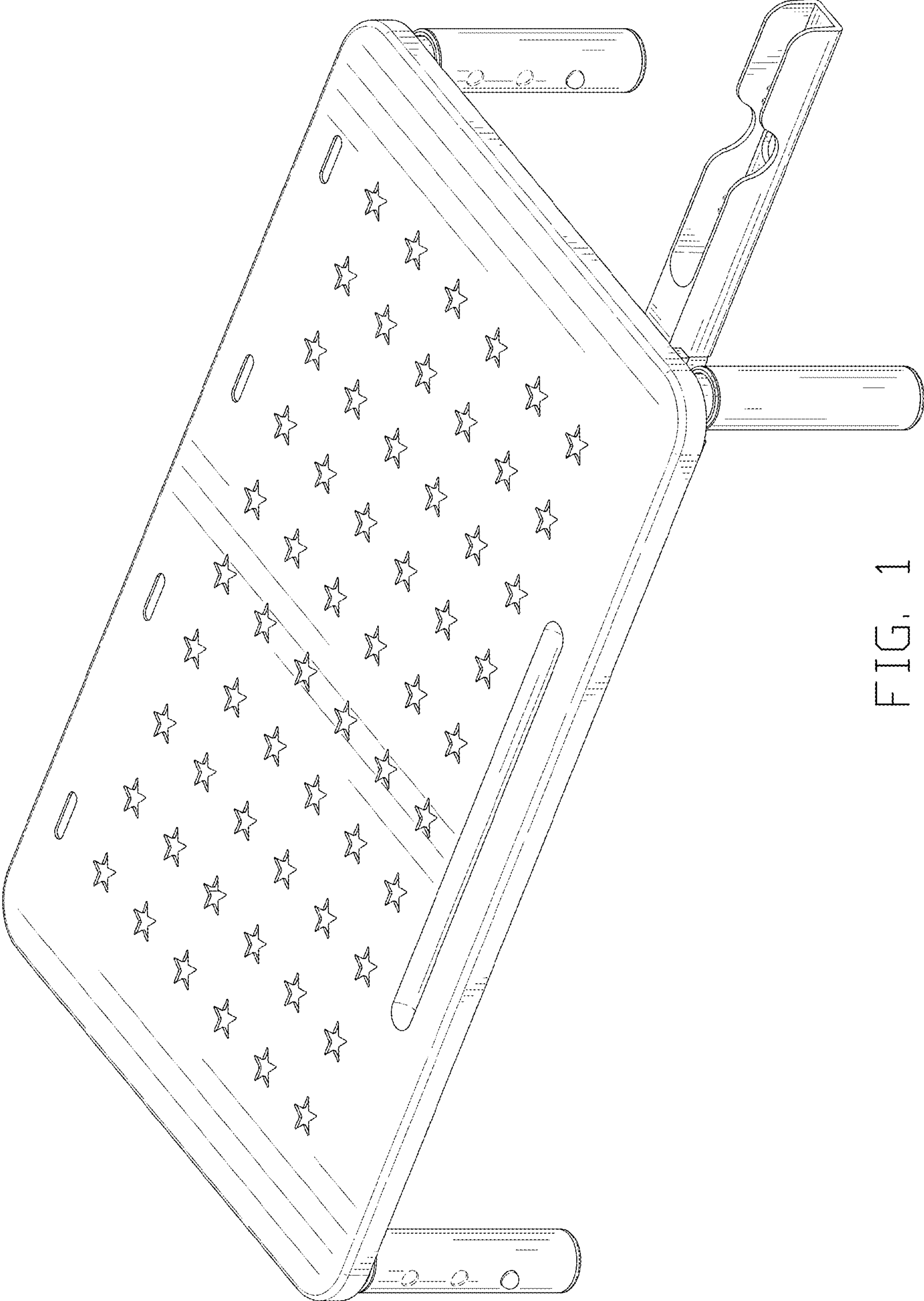


FIG. 1

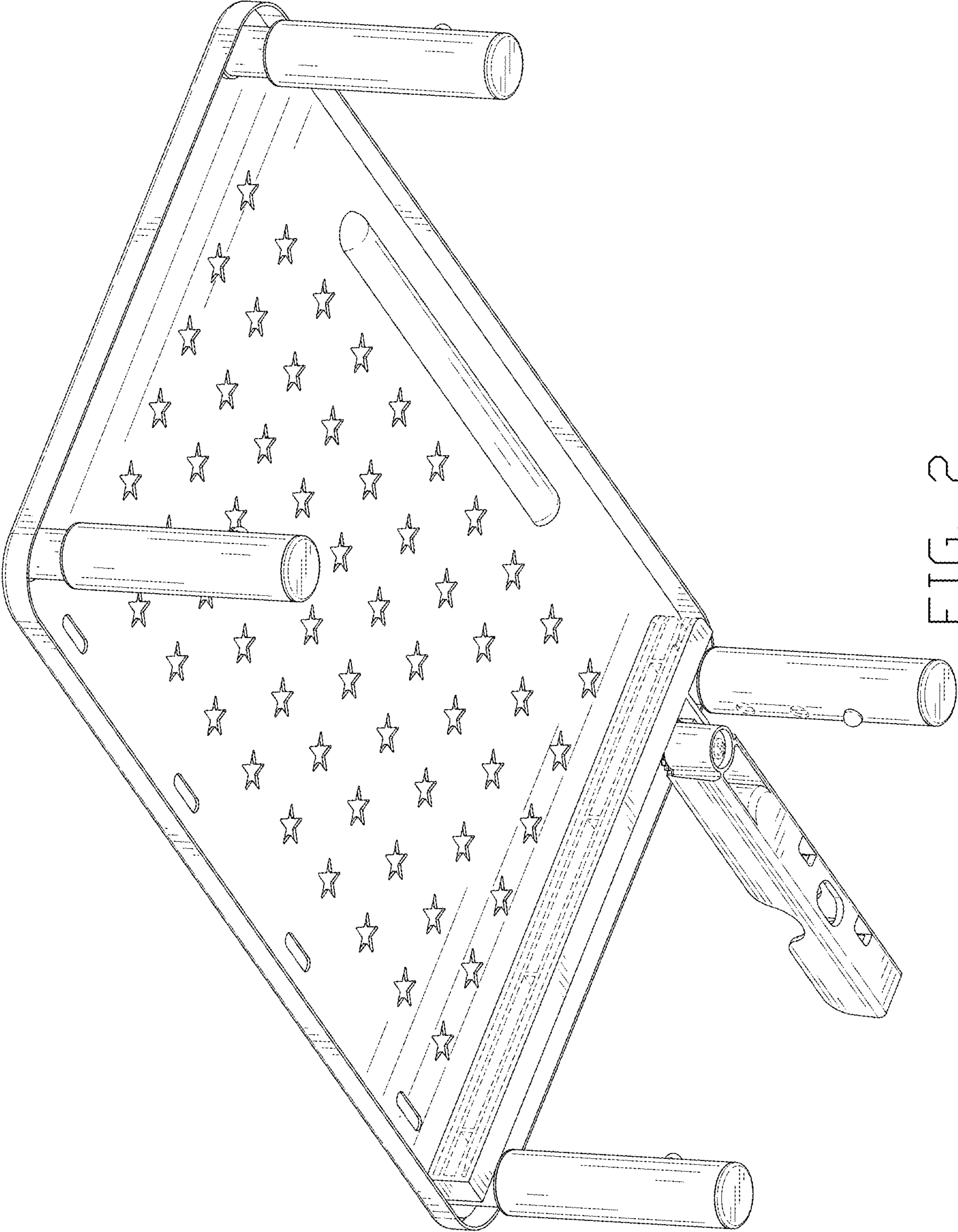


FIG. 2

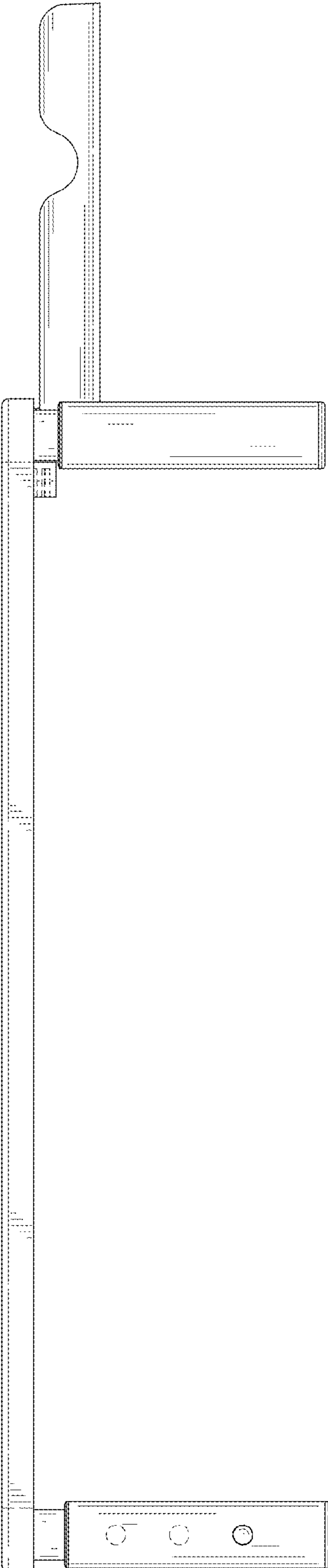


FIG. 3

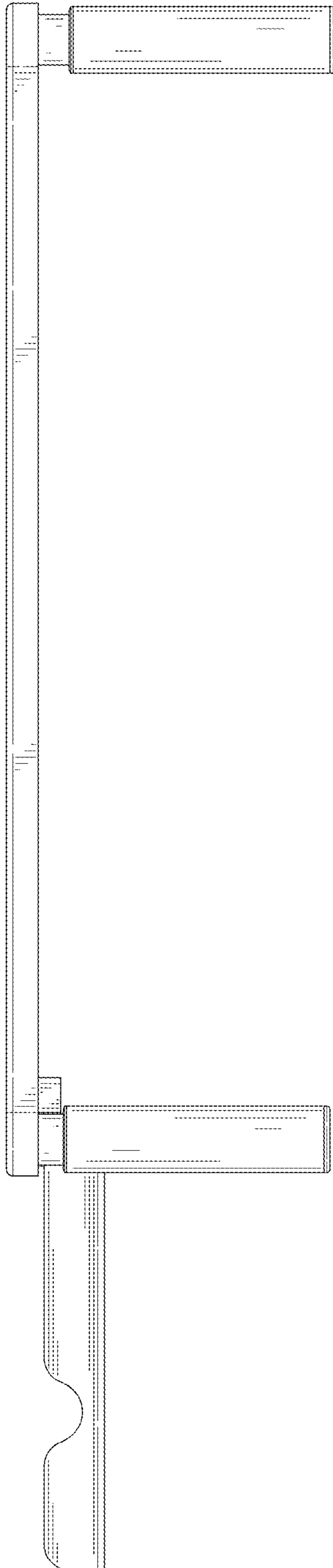


FIG. 4

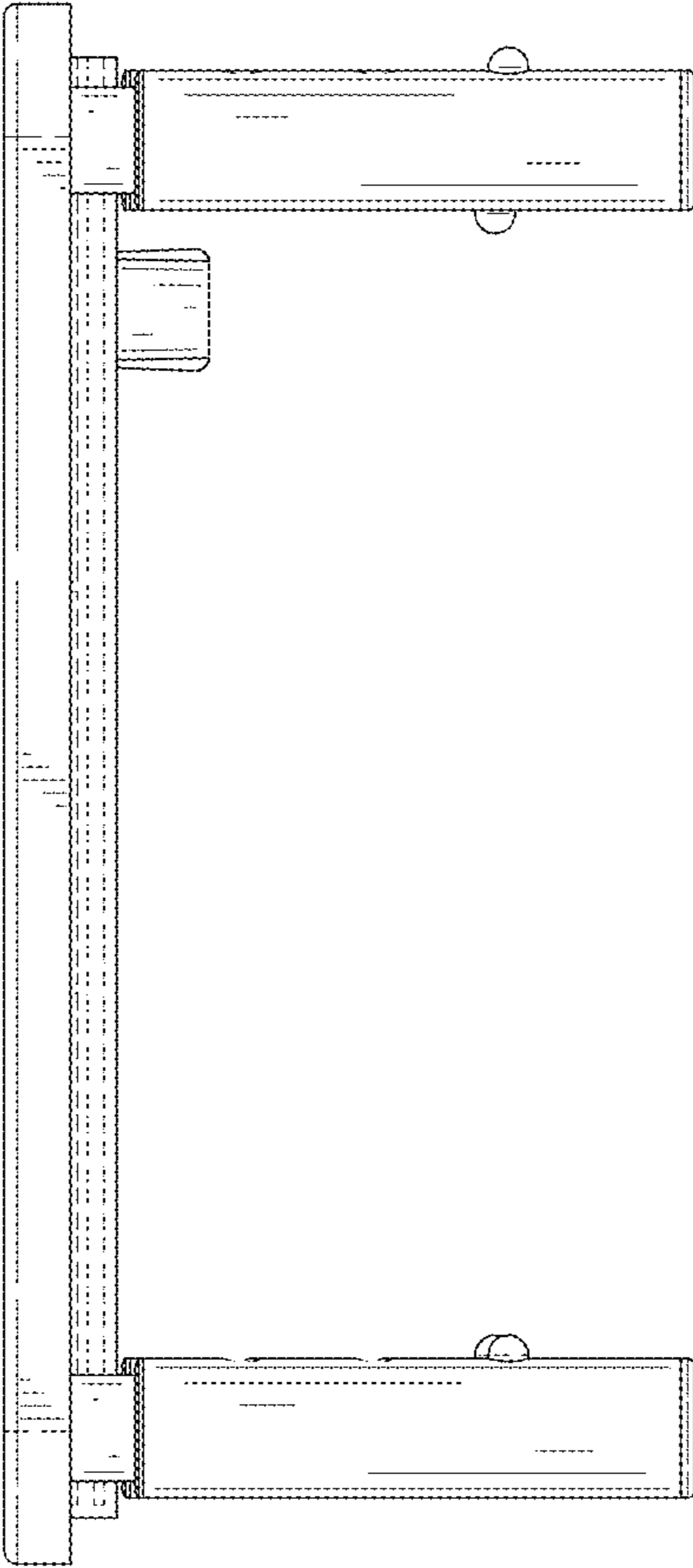


FIG. 5

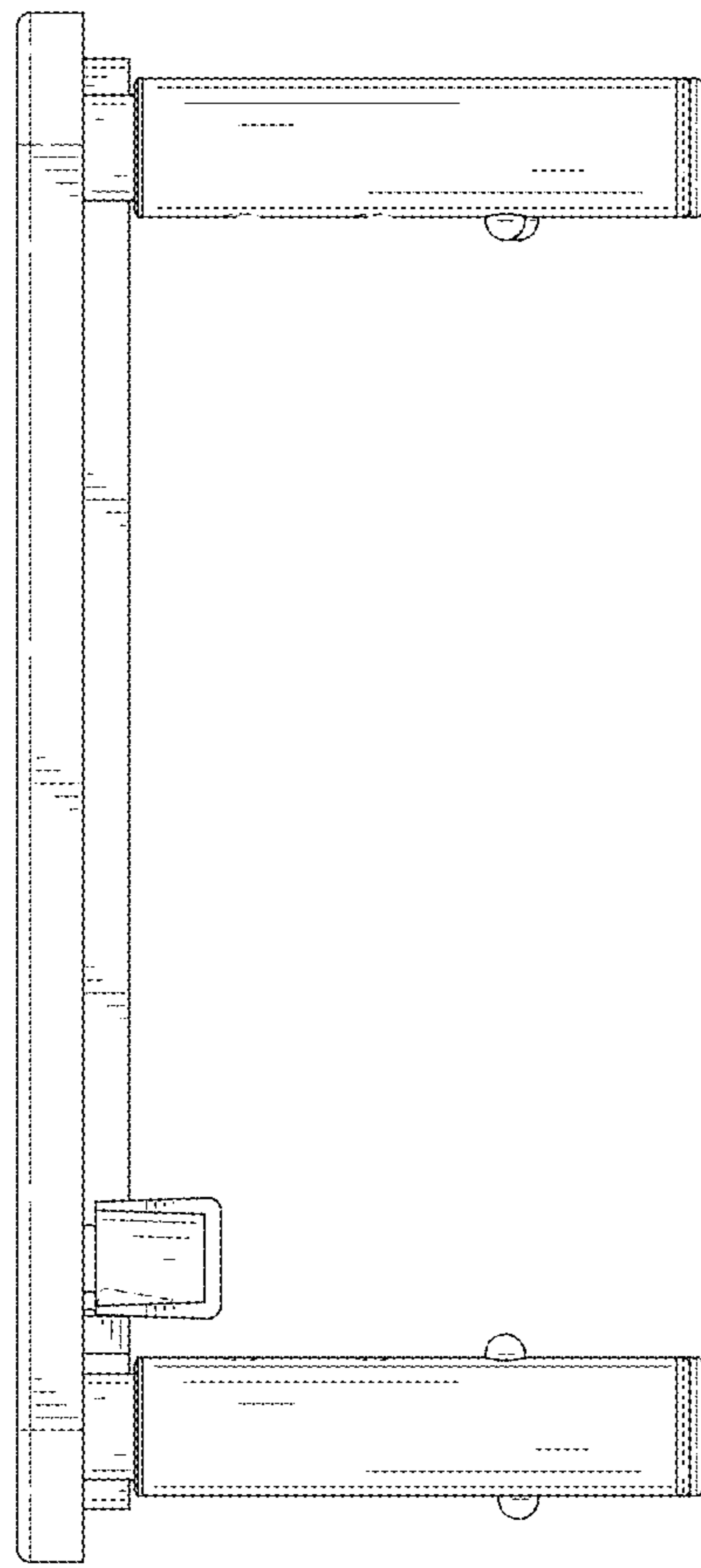


FIG. 6

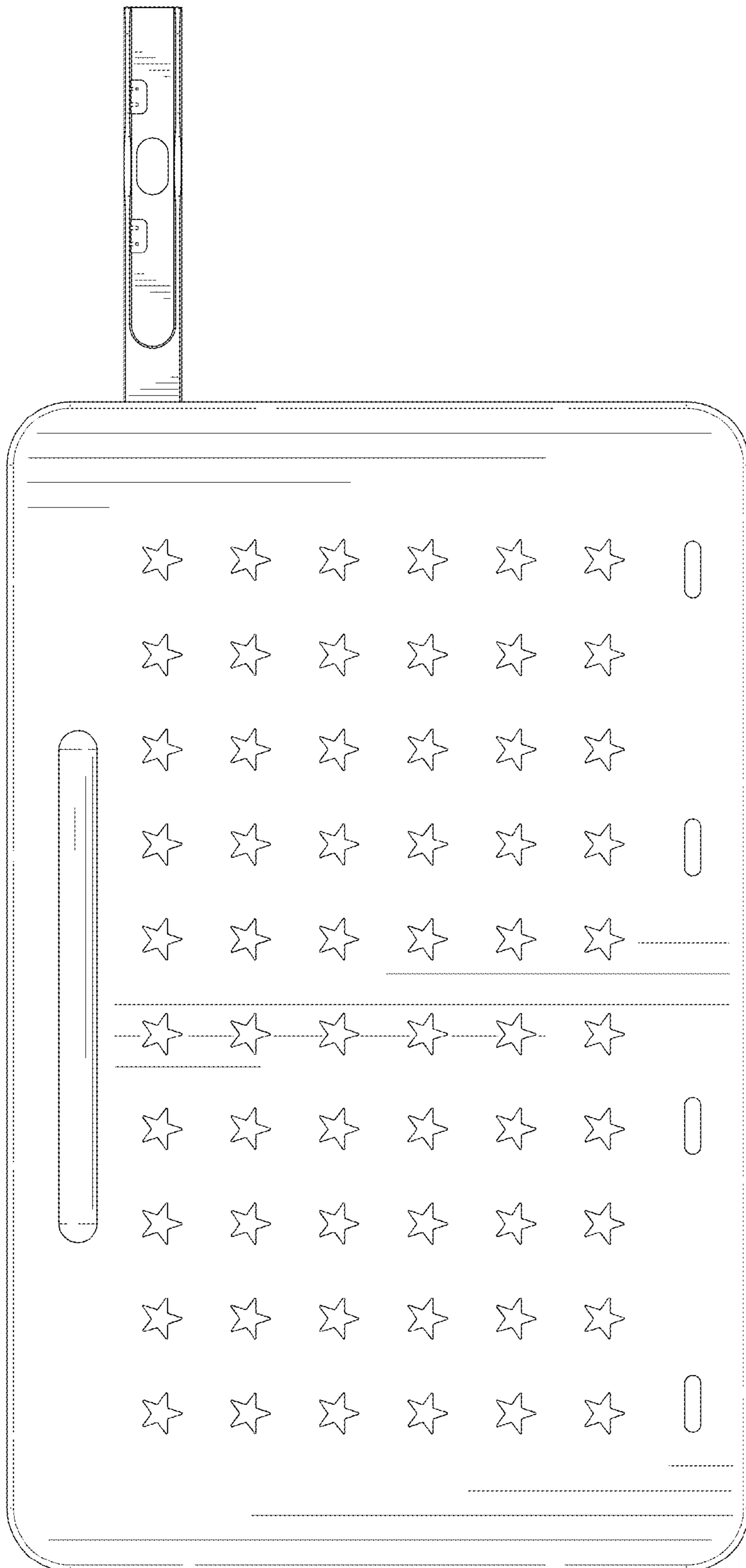


FIG. 7

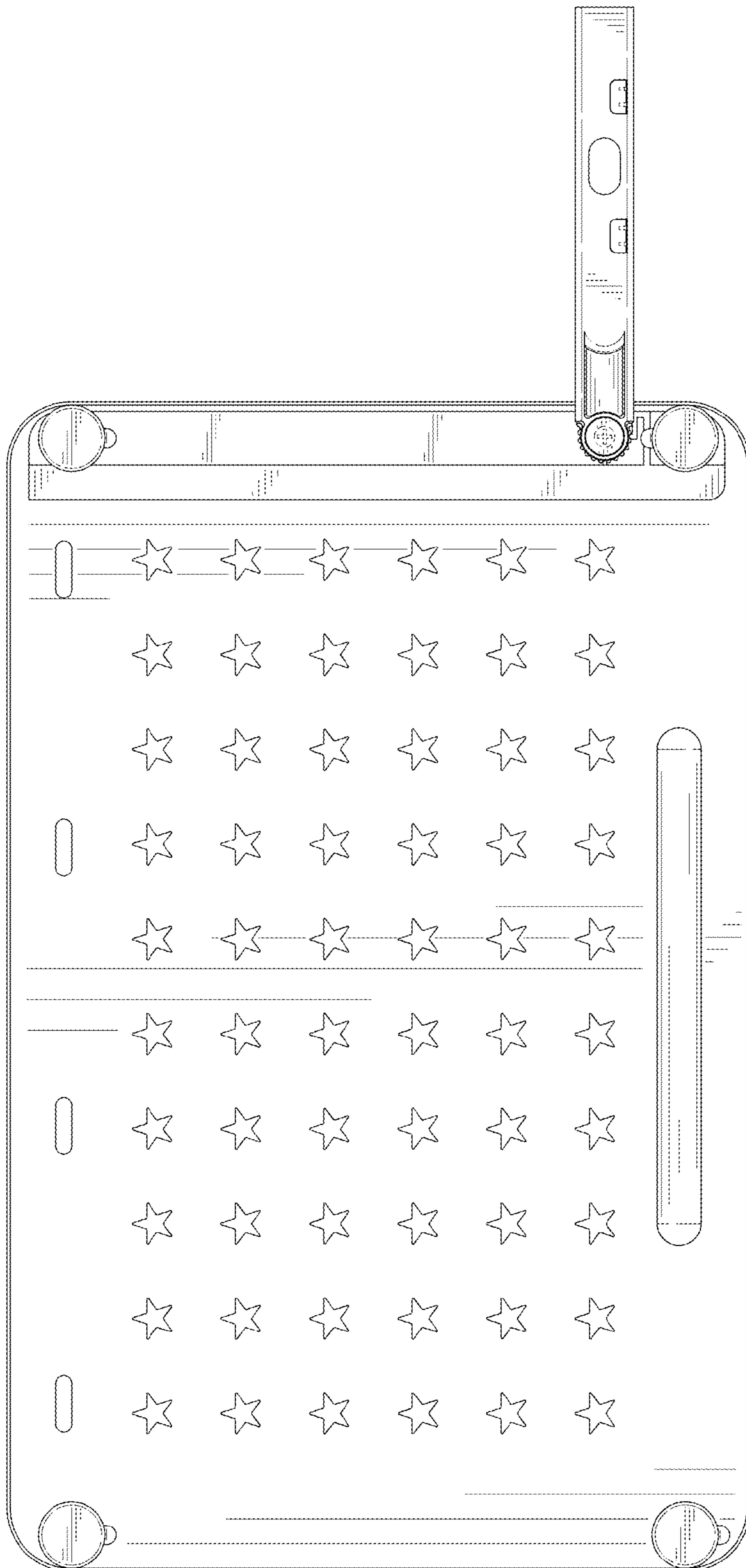


FIG. 8

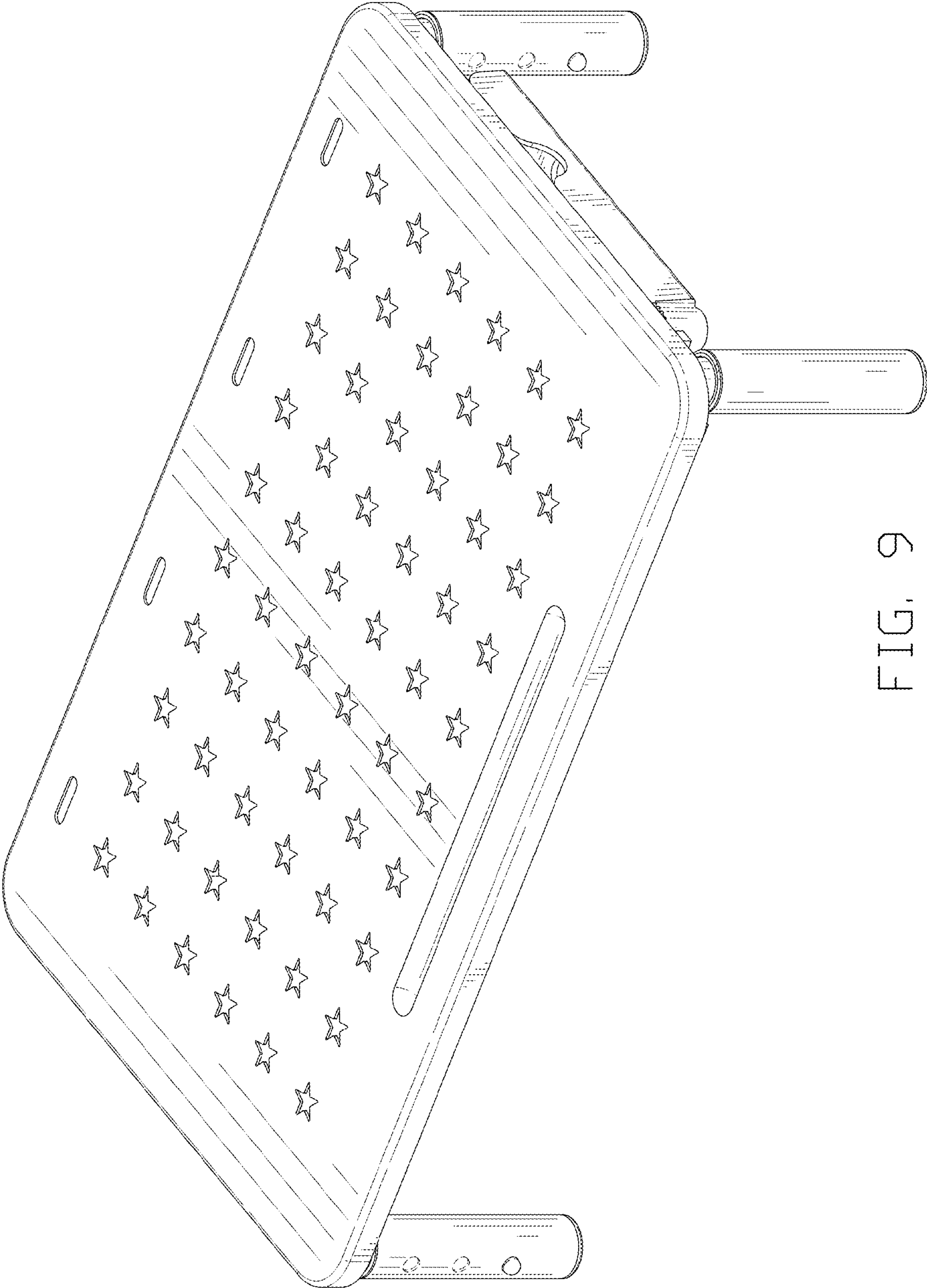


FIG. 9