

US00D968126S

(12) **United States Design Patent** (10) **Patent No.:** **US D968,126 S**  
**Duhadway** (45) **Date of Patent:** **\*\* Nov. 1, 2022**

(54) **DESK**  
(71) Applicant: **WALKER EDISON FURNITURE COMPANY LLC**, West Jordan, UT (US)  
(72) Inventor: **Tiffany Duhadway**, Salt Lake City, UT (US)  
(73) Assignee: **Walker Edison Furniture Company LLC**, West Jordan, UT (US)  
(\*\*) Term: **15 Years**

D326,384 S \* 5/1992 Burt ..... D6/555  
D378,966 S \* 4/1997 Helmsderfer ..... D6/555  
D391,794 S \* 3/1998 Helmsderfer ..... D6/555  
D397,893 S \* 9/1998 Helmsderfer ..... D6/555  
D408,190 S \* 4/1999 Helmsderfer ..... D6/555  
D412,258 S \* 7/1999 Helmsderfer ..... D6/555  
D412,634 S \* 8/1999 Helmsderfer ..... D6/555  
D544,275 S \* 6/2007 Tanus ..... D6/555  
D545,099 S \* 6/2007 Fernandez, Jr. .... D6/555  
D549,025 S \* 8/2007 Van Alstyne ..... D6/555  
D592,435 S \* 5/2009 Jasman ..... D6/555  
D611,748 S \* 3/2010 Stephens ..... D7/619.1  
D618,939 S \* 7/2010 Gibbs ..... D6/555  
D620,732 S \* 8/2010 Andrews ..... D7/619.1

(Continued)

(21) Appl. No.: **29/767,930**  
(22) Filed: **Jan. 26, 2021**  
(51) **LOC (13) Cl.** ..... **06-04**  
(52) **U.S. Cl.**  
USPC ..... **D6/555**  
(58) **Field of Classification Search**  
USPC ..... D6/555, 512, 515, 553, 567, 569, 570, D6/571  
CPC ..... A47B 46/00; A47B 5/00; A47B 97/00; A47B 2097/003; A47B 2097/005; A47B 2200/0078; A47B 2210/06; A47B 47/0091  
See application file for complete search history.

OTHER PUBLICATIONS

Amazon.com, Walker Edison Modern Wood and Metal Wall Mounted Writing Desk Home Office Workstation Small, Jul. 30, 2020, <https://www.amazon.com/Walker-Edison-Mounted-Writing-Workstation/dp/B08DKLN23H/> (Year: 2020).\*

*Primary Examiner* — Nathan M Johnston  
(74) *Attorney, Agent, or Firm* — Workman Nydegger

(57) **CLAIM**

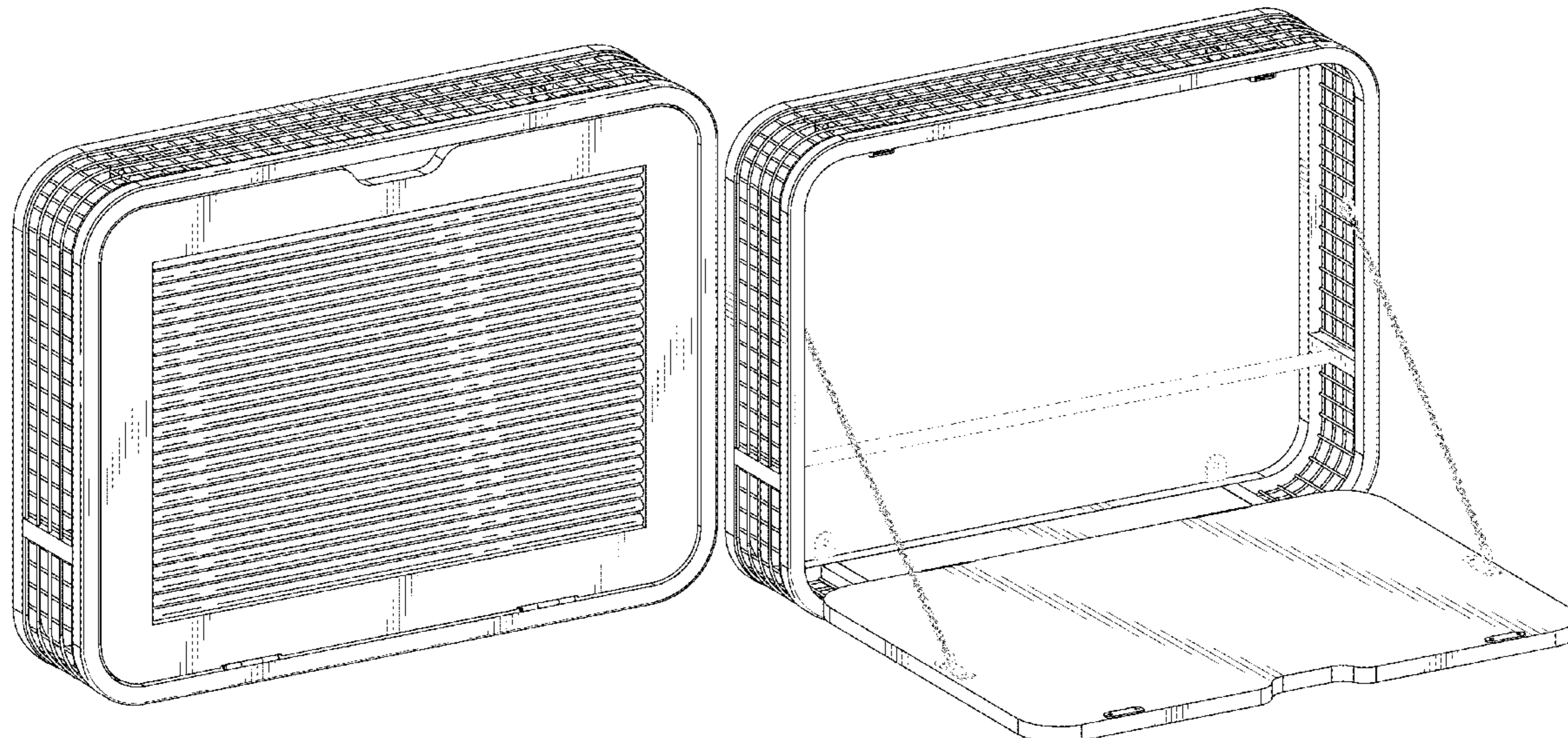
The ornamental design for a desk, as shown and described.

**DESCRIPTION**

FIG. 1 is a front perspective view of a desk showing the new design;  
FIG. 2 is another front perspective view thereof;  
FIG. 3 is a front elevation view thereof;  
FIG. 4 is another front elevation view thereof;  
FIG. 5 is a top plan view thereof;  
FIG. 6 is a bottom plan view thereof;  
FIG. 7 is a right elevation view thereof; and,  
FIG. 8 is a left elevation view thereof.  
The broken lines show portions of the desk that form no part of the claimed design.

**1 Claim, 6 Drawing Sheets**

(56) **References Cited**  
U.S. PATENT DOCUMENTS  
D179,871 S \* 3/1957 Wrablica, Jr. .... D6/555  
D181,602 S \* 12/1957 Polk ..... D6/555  
3,806,219 A \* 4/1974 Ahmann ..... E04H 1/1255 312/258  
D244,072 S \* 4/1977 Schaecher ..... D6/555  
4,445,731 A \* 5/1984 Ahmann ..... E04H 1/1255 312/231  
D302,088 S \* 7/1989 Burt ..... D6/555  
D314,112 S \* 1/1991 Dainty ..... D6/555  
5,082,336 A \* 1/1992 Munch ..... H02B 1/306 D6/555



(56)

**References Cited**

U.S. PATENT DOCUMENTS

D632,115 S *	2/2011	Gibbs .....	D6/555
D684,406 S *	6/2013	Cockrell .....	D6/525
D908,851 S *	1/2021	Lee .....	D23/284
2011/0061571 A1 *	3/2011	Hilde .....	A47G 1/06 108/35

\* cited by examiner



FIG. 1

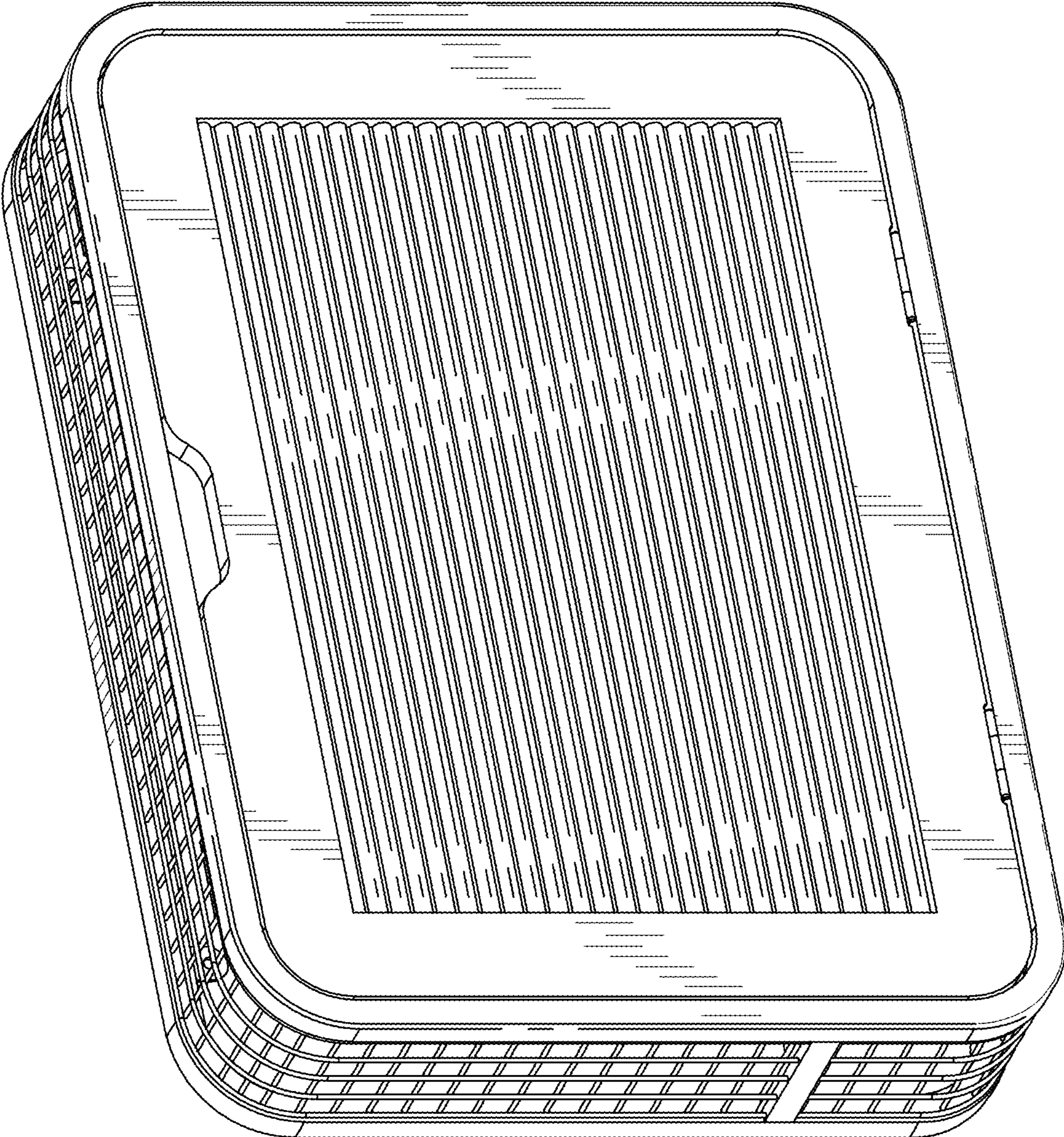
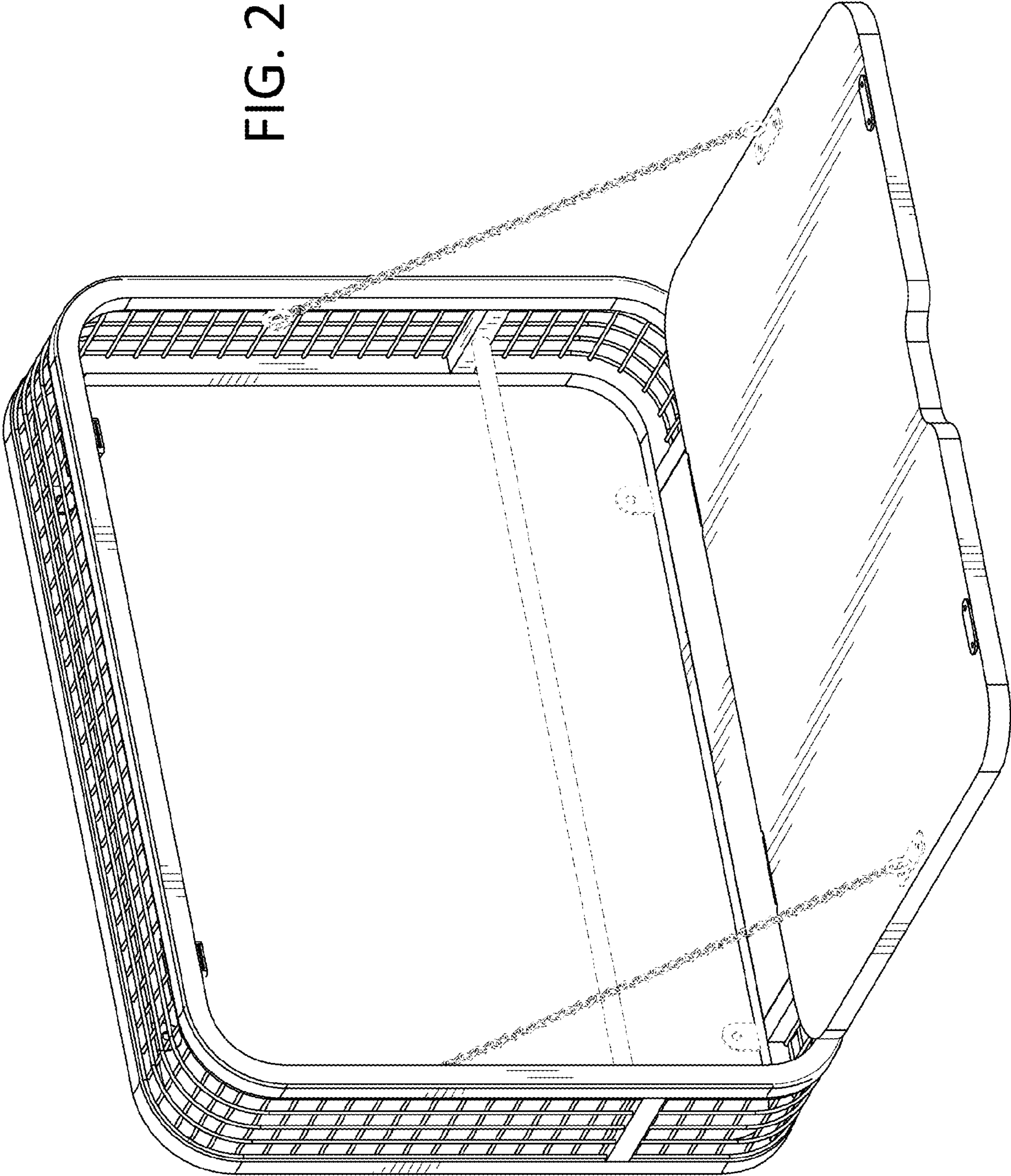


FIG. 2





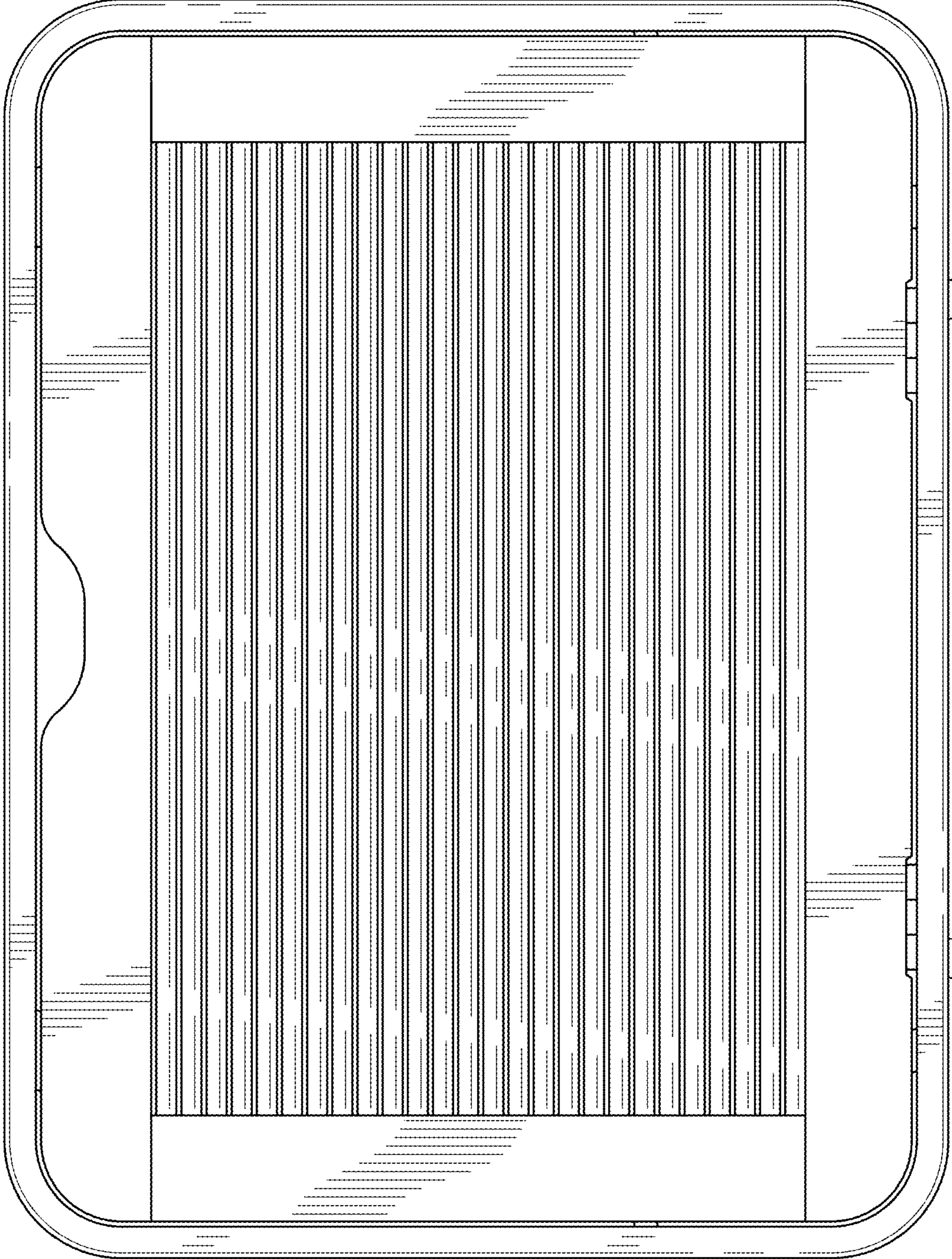


FIG. 3

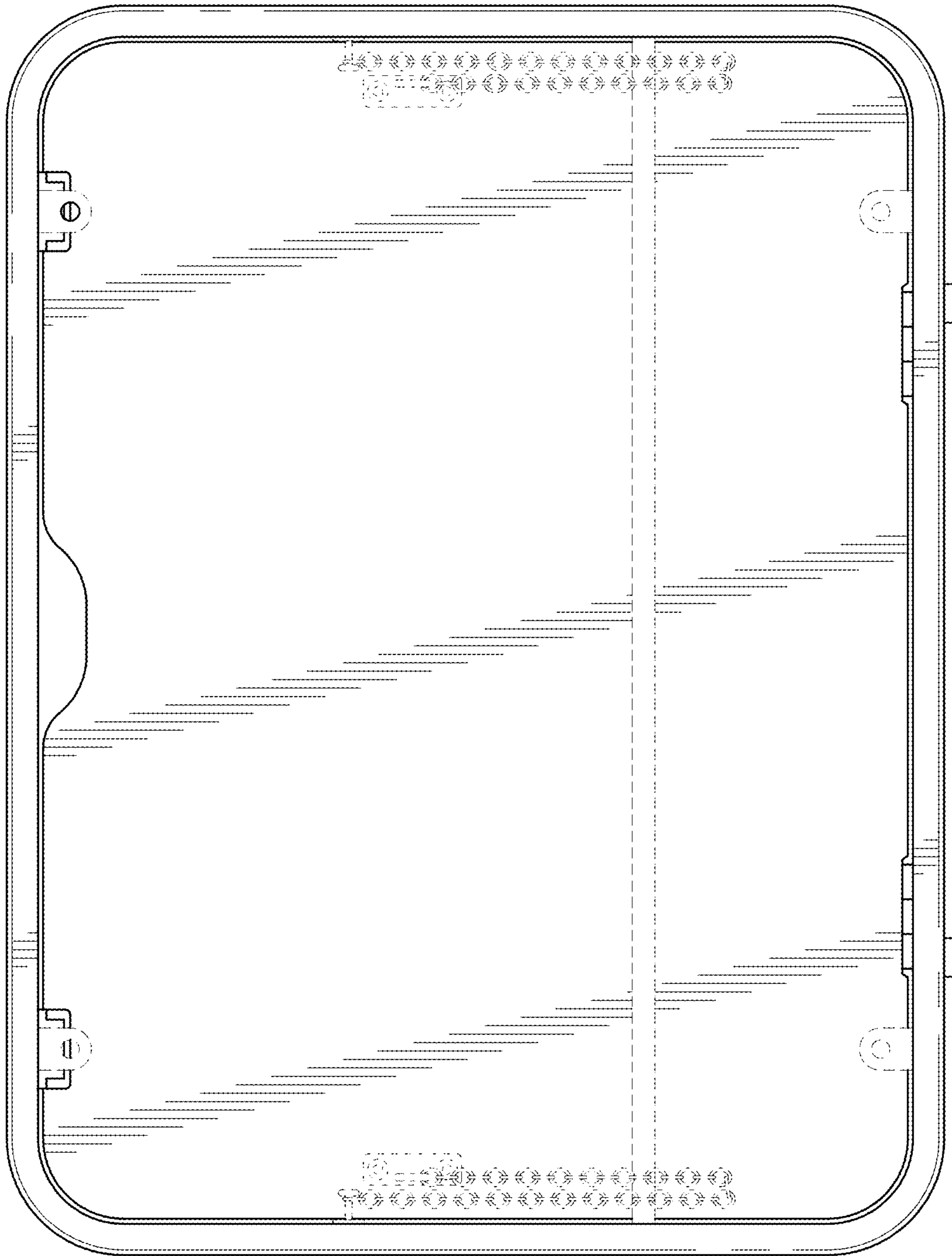


FIG. 4

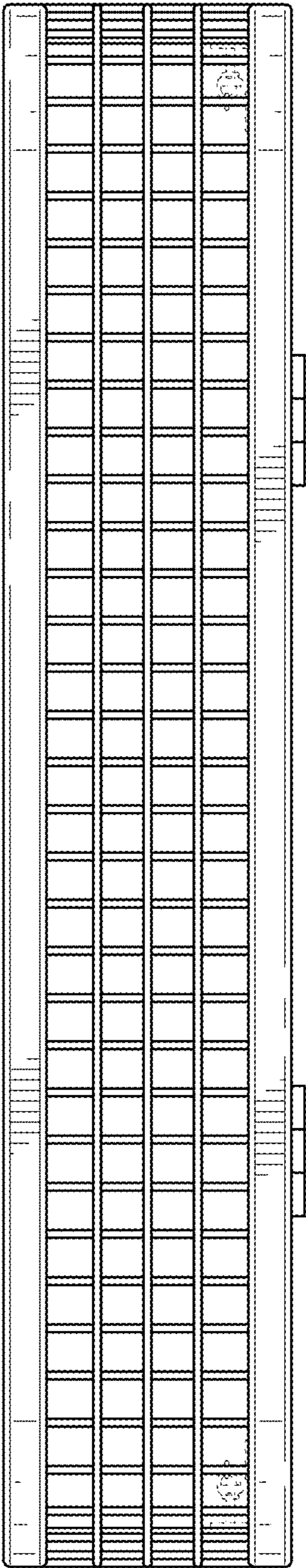


FIG. 5

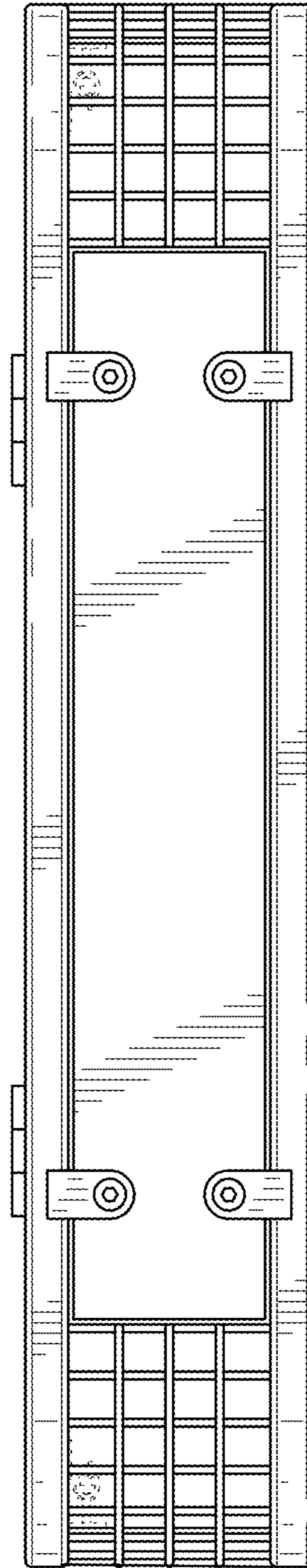


FIG. 6



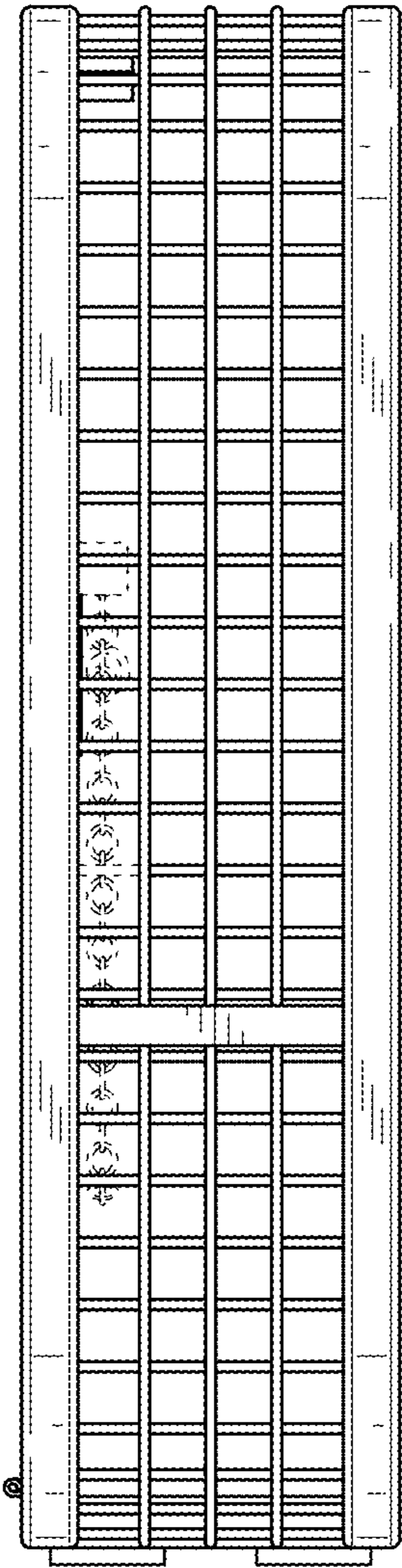


FIG. 7

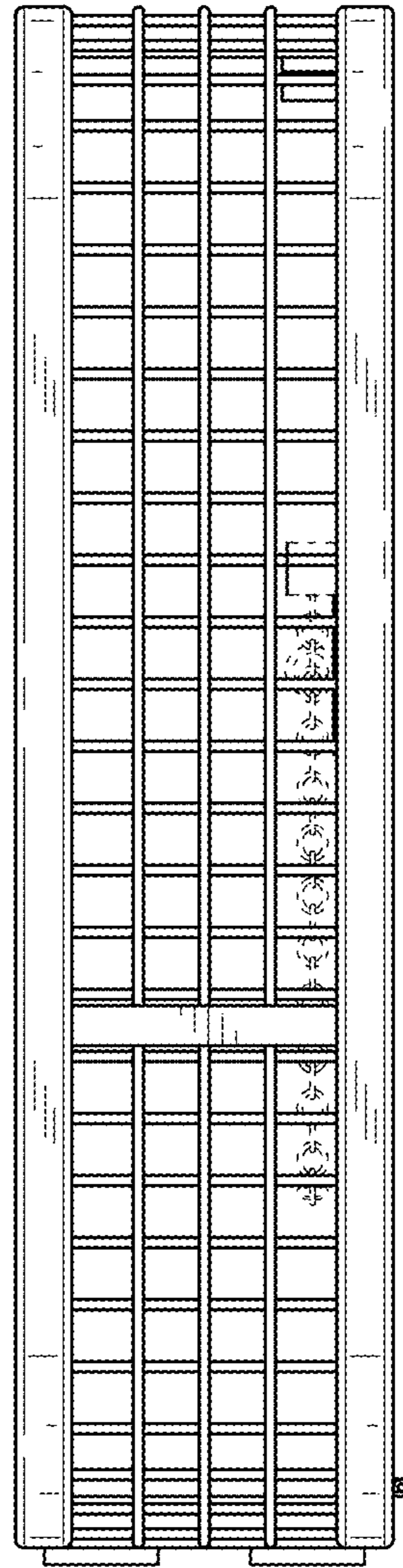


FIG. 8