



US00D968124S

(12) **United States Design Patent** (10) **Patent No.:** **US D968,124 S**
Boston (45) **Date of Patent:** **** Nov. 1, 2022**

(54) **CUE CASE STAND**
(71) Applicant: **Theodore Boston**, Sparta, IL (US)
(72) Inventor: **Theodore Boston**, Sparta, IL (US)
(**) Term: **15 Years**
(21) Appl. No.: **29/705,118**
(22) Filed: **Sep. 10, 2019**

Related U.S. Application Data

(63) Continuation-in-part of application No. 29/659,729, filed on Aug. 10, 2018, now Pat. No. Des. 862,925.
(51) **LOC (13) Cl.** **06-04**
(52) **U.S. Cl.**
USPC **D6/552**
(58) **Field of Classification Search**
USPC D21/782, 783, 385; D6/552, 567, 569, D6/571, 572; 473/1.42, 43, 44, 46, 50, 473/19, 21, 22; 211/68, 60.1, 63, 70.1, 211/90.1; 206/579, 315.1
CPC A63D 15/10; A63D 15/16; A63D 15/00
See application file for complete search history.

(56) **References Cited**

U.S. PATENT DOCUMENTS

4,155,188 A * 5/1979 Serrill A01K 97/125 43/17
D295,592 S * 5/1988 Brace D6/552
5,054,137 A * 10/1991 Christensen A61G 7/1038 D24/188
5,507,414 A * 4/1996 Ong A47K 5/1214 222/173
D390,737 S * 2/1998 Strnad D6/552
D461,084 S * 8/2002 Chen D6/552
D546,102 S * 7/2007 Lawrence D6/552

9,867,461 B1 * 1/2018 Smith A47G 29/08
D945,789 S * 3/2022 Swanson D6/552
2006/0207161 A1 * 9/2006 Lynn A01K 97/08 224/922
2013/0092813 A1 * 4/2013 He H01Q 3/08 248/512
2018/0206470 A1 * 7/2018 Casavant A01K 97/125
2020/0178694 A1 * 6/2020 Bland A45F 3/44

* cited by examiner

Primary Examiner — Nathan M Johnston

(57) **CLAIM**

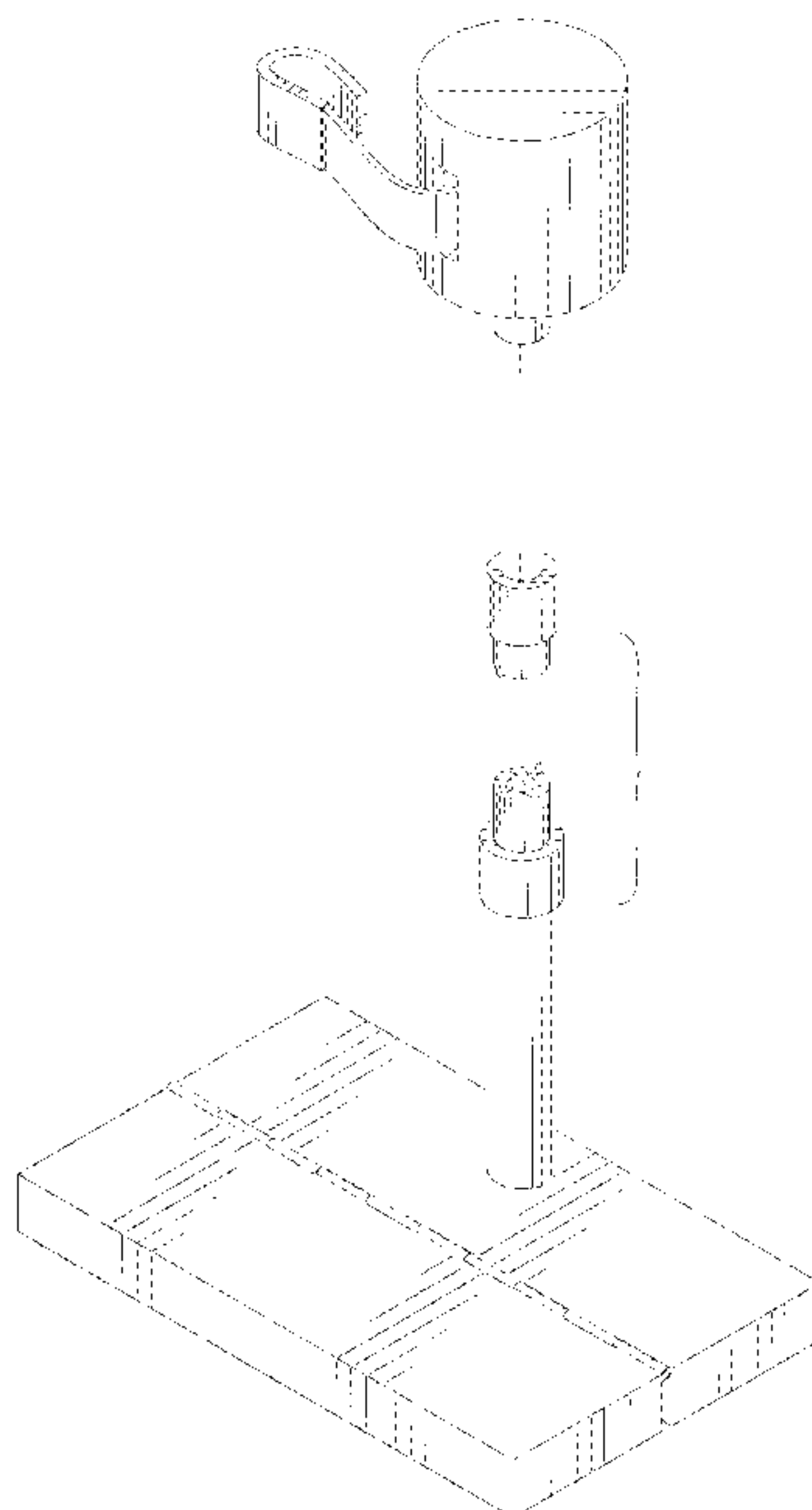
The ornamental design for a cue case stand, as shown and described.

DESCRIPTION

FIG. 1 is a front top right perspective view of a cue case stand;
FIG. 2 is a back left bottom perspective view thereof;
FIG. 3 is a front elevational view thereof;
FIG. 4 is a rear elevational view thereof;
FIG. 5 is a top plan view thereof;
FIG. 6 is a bottom plan view thereof;
FIG. 7 is a right elevational view thereof;
FIG. 8 is a left elevational view thereof;
FIG. 9 is a front top right perspective view of a cue case stand in an alternate configuration; and
FIG. 10 is a front left bottom perspective view of a cue case stand in an alternate configuration.

The broken line showing a hinge in FIGS. 1-10 and the inner edge of the opening for the strap in FIGS. 1 and 9-10 is included for the purpose of illustrating environmental structure and forms no part of the claimed design. The cue case stand is shown with a symbolic break in its length. The appearance of any portion of the article between the break lines forms no part of the claimed design.

1 Claim, 10 Drawing Sheets



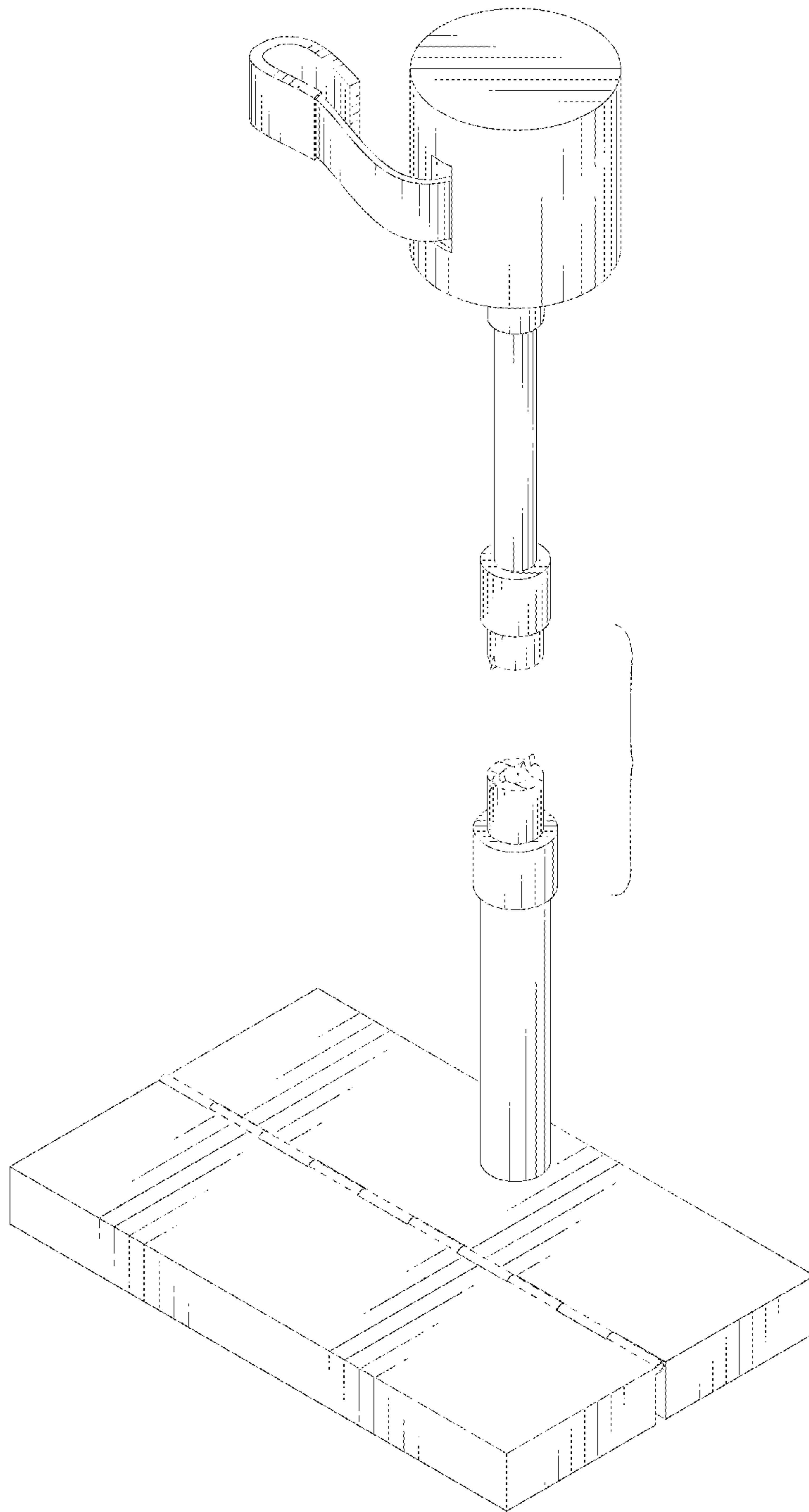


FIG. 1

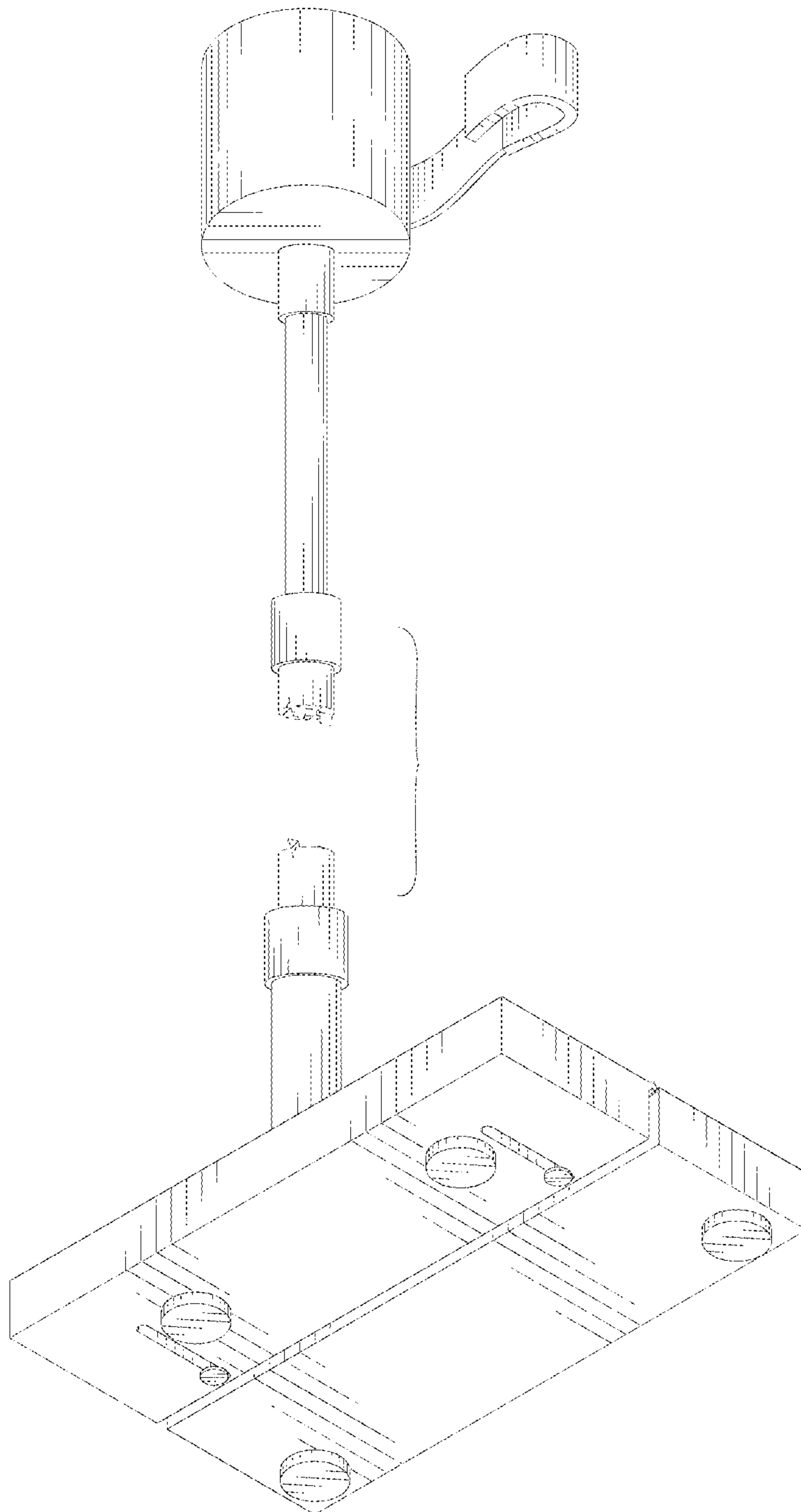


FIG. 2

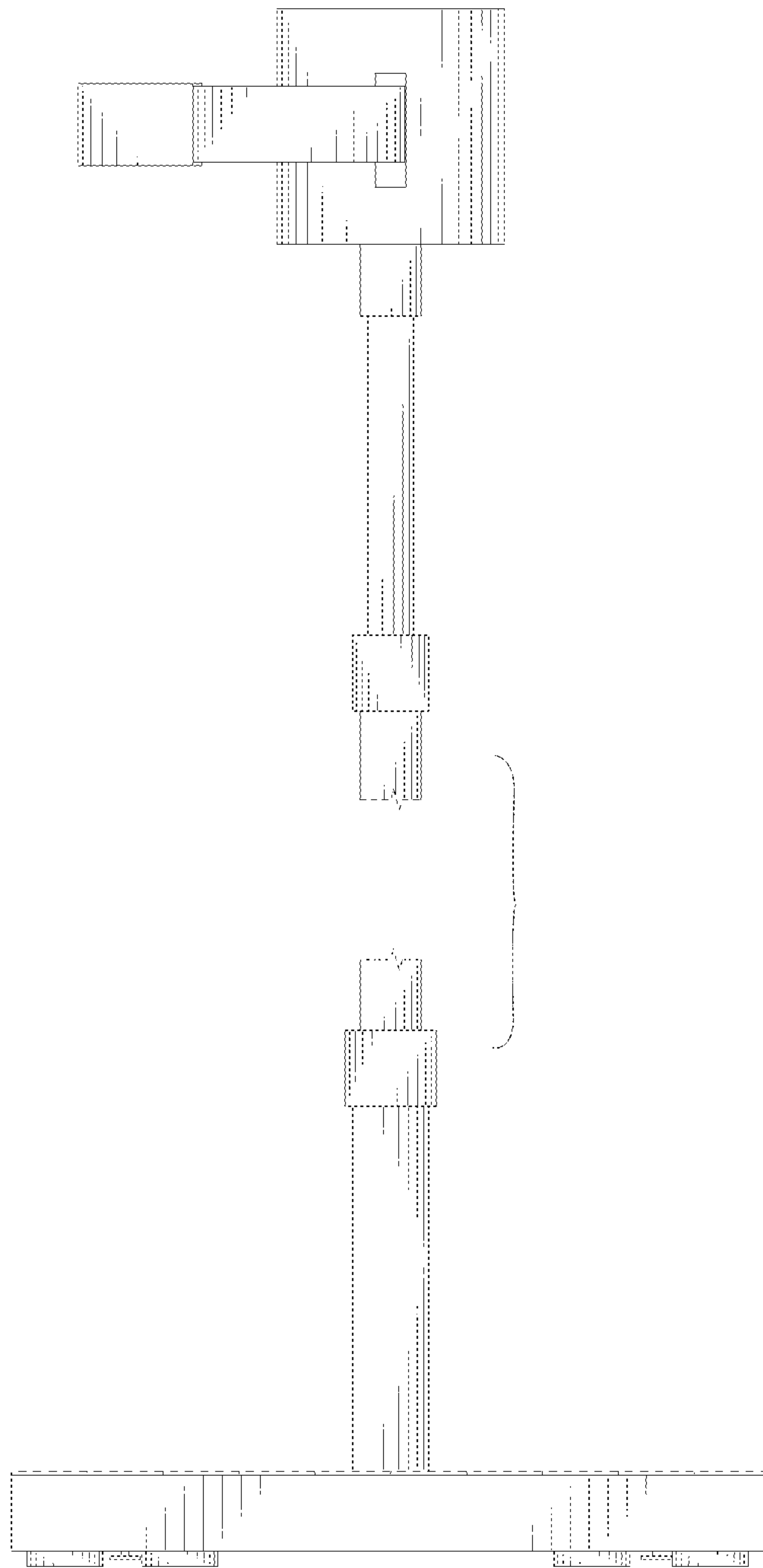


FIG. 3

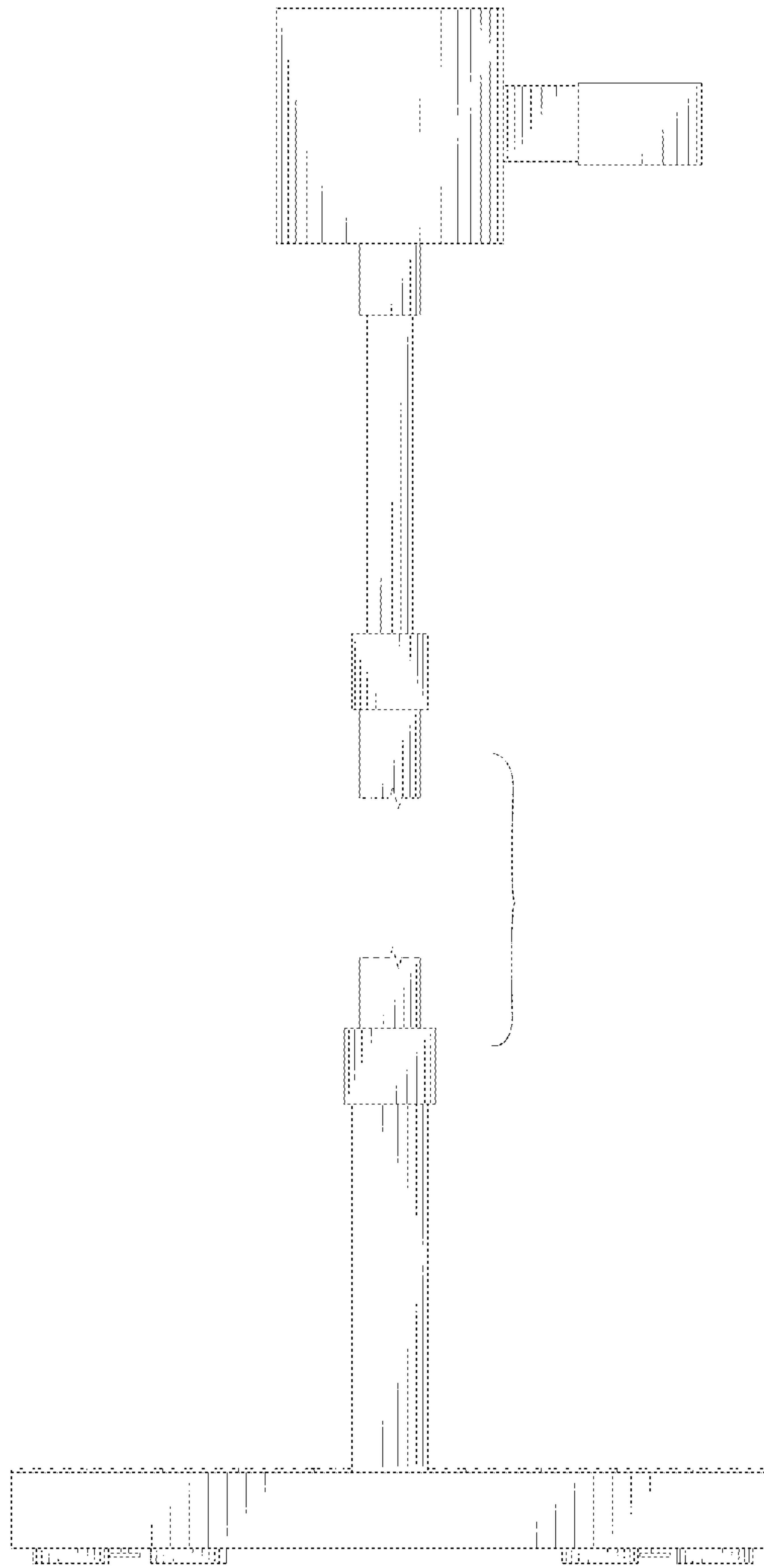


FIG. 4

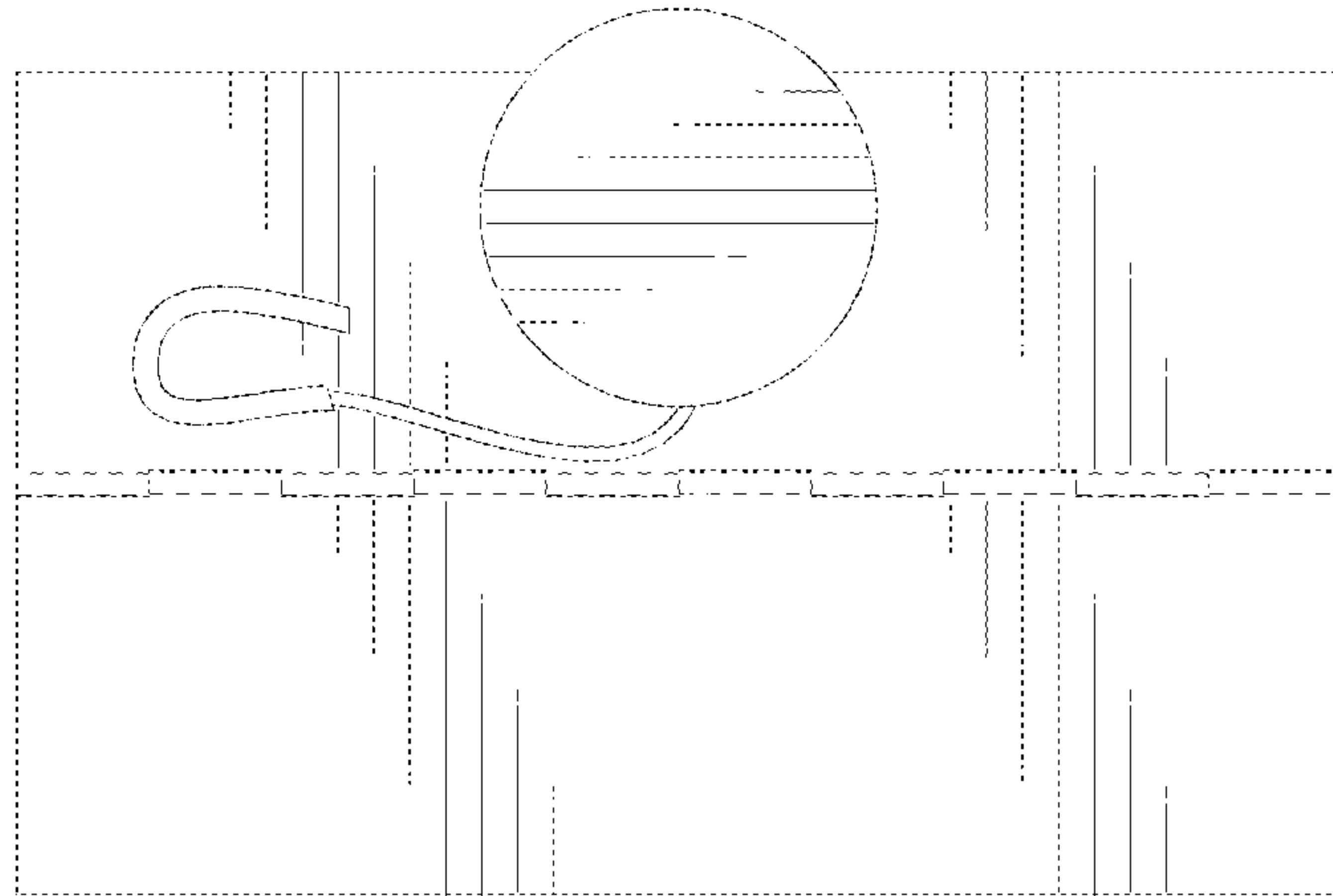


FIG. 5

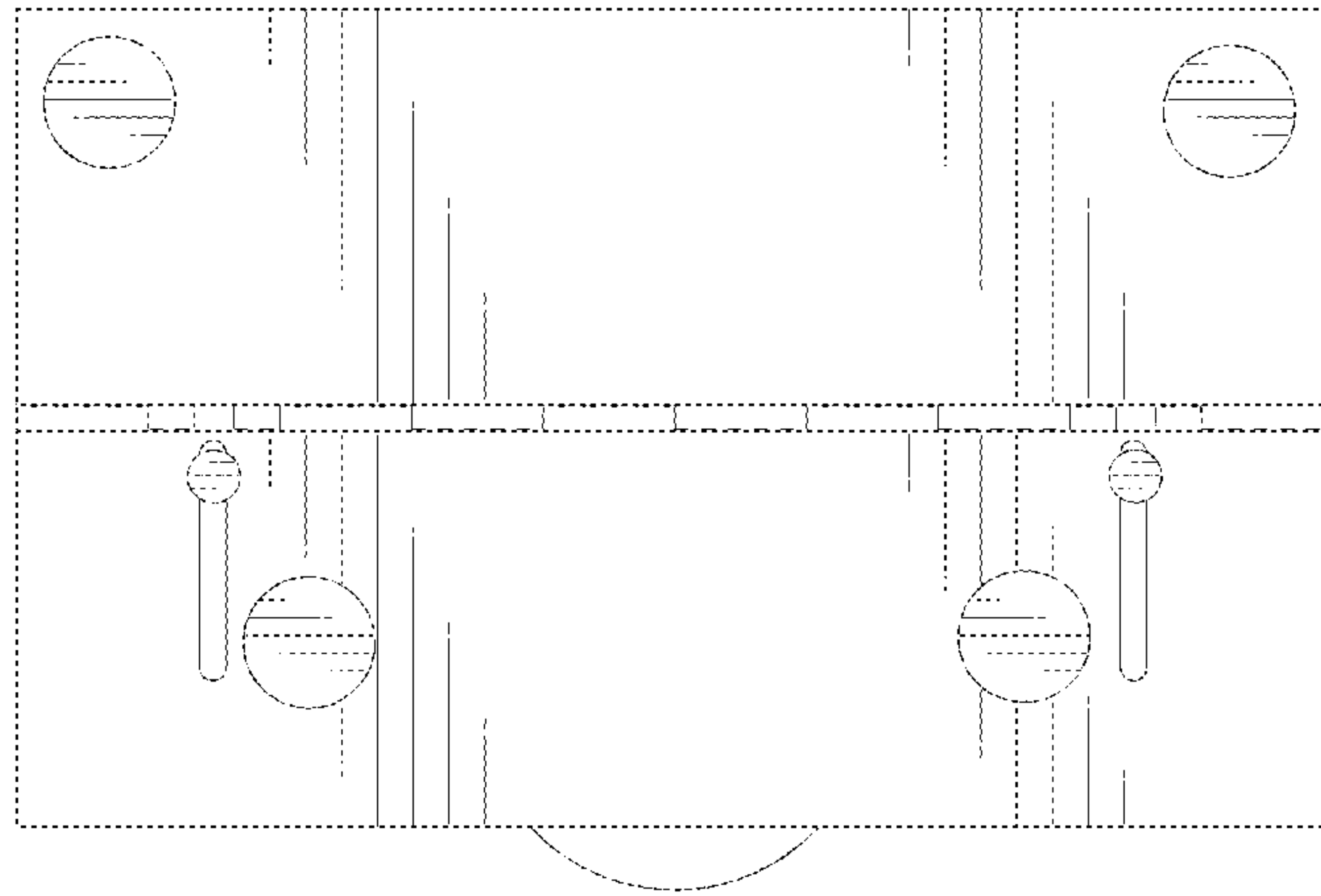


FIG. 6

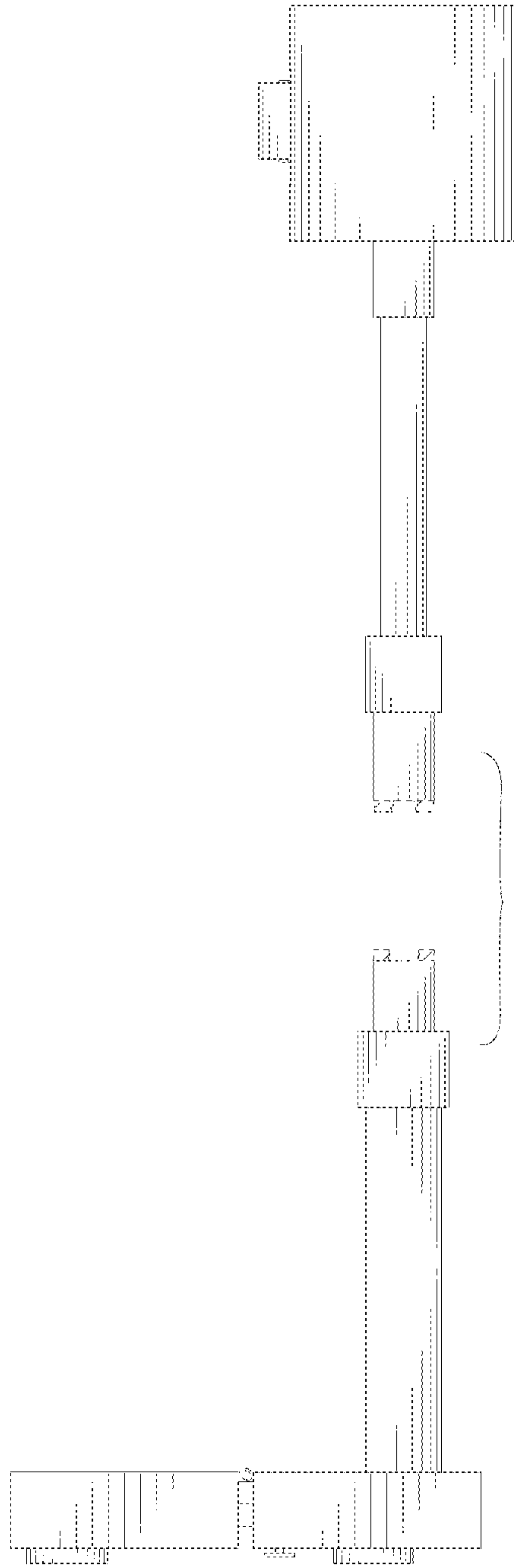


FIG. 7

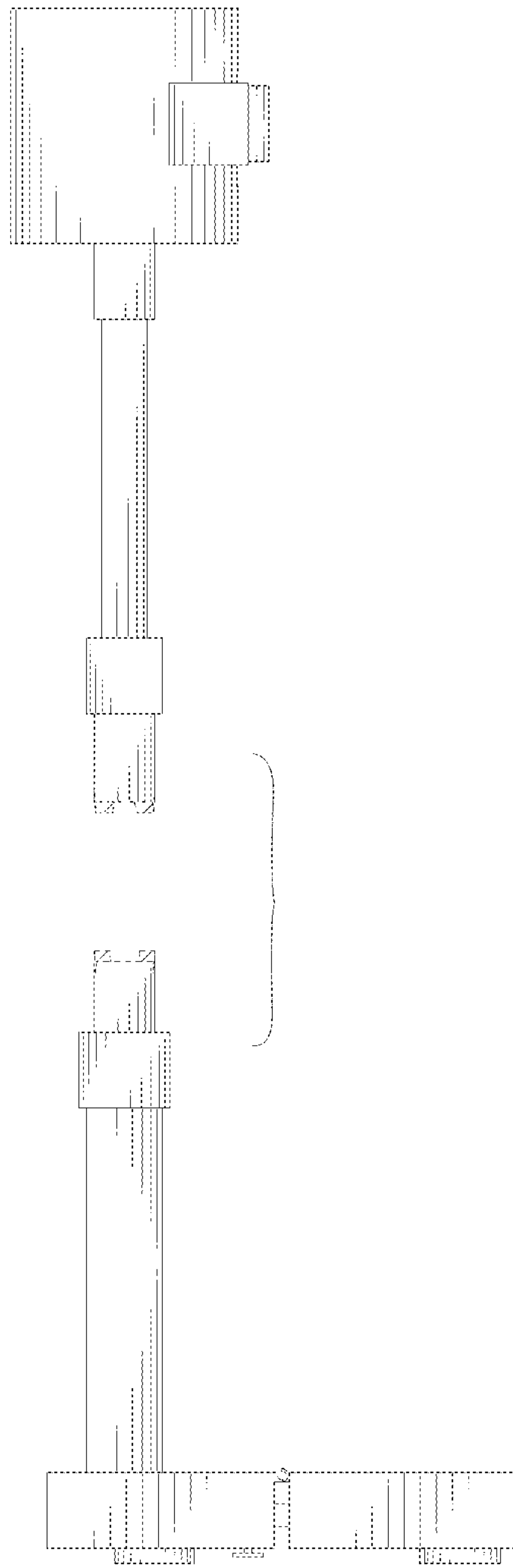


FIG. 8

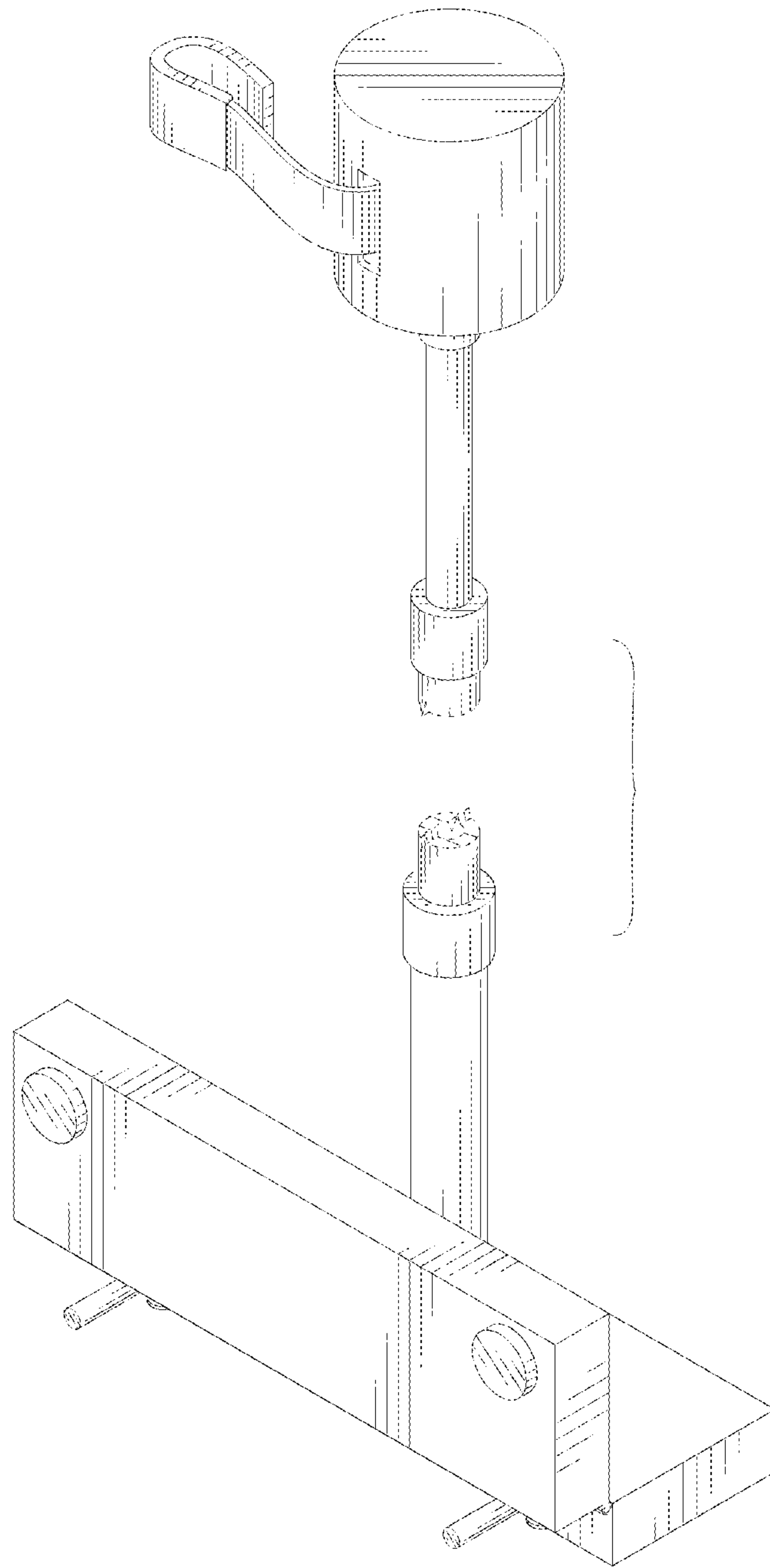


FIG. 9

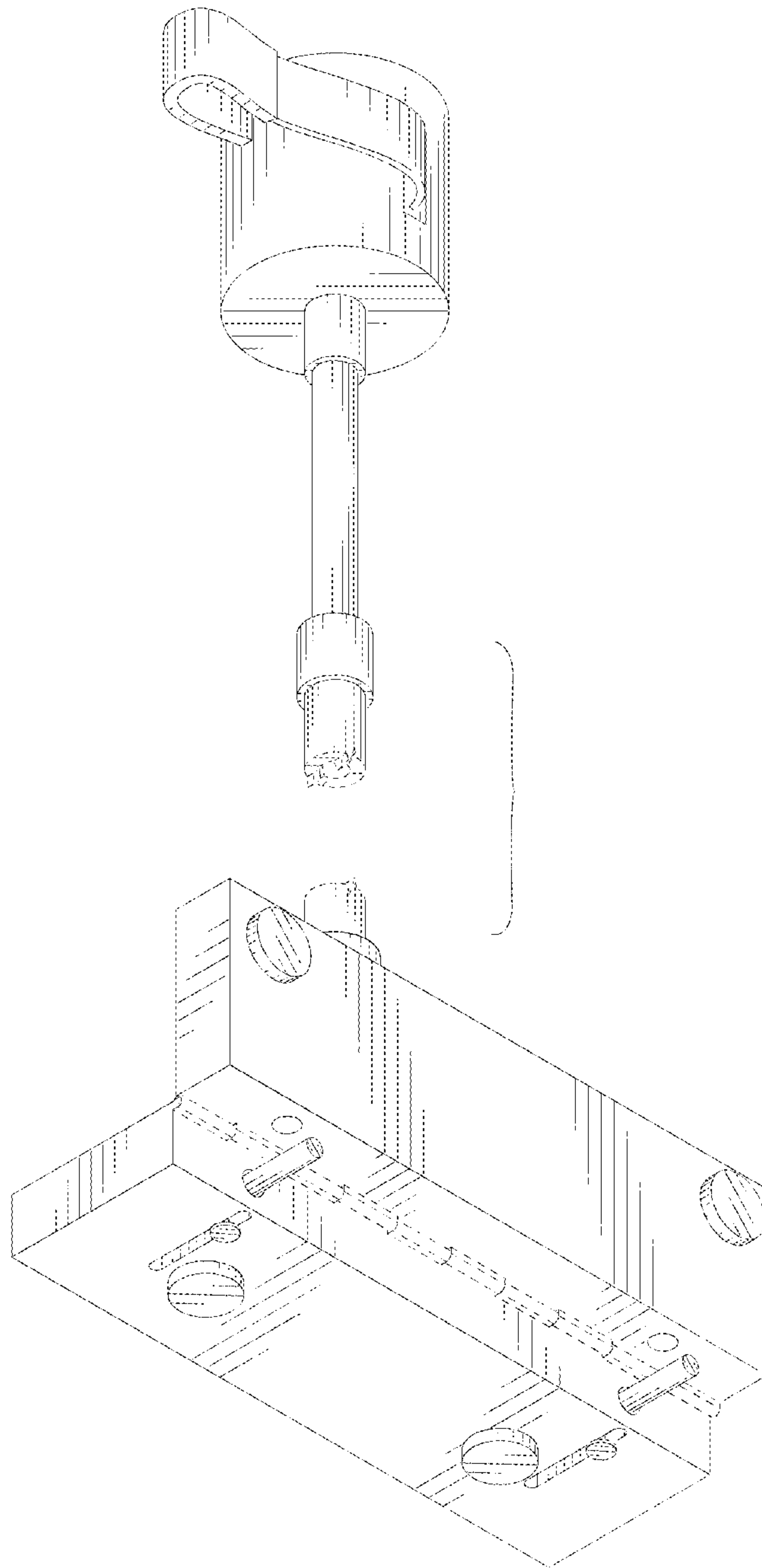


FIG. 10