



US00D968122S

(12) **United States Design Patent** (10) **Patent No.:** **US D968,122 S**  
**Xia** (45) **Date of Patent:** **\*\* Nov. 1, 2022**

(54) **PAPER TOWEL HOLDER**  
(71) Applicant: **Tianyou Xia**, Shenzhen (CN)  
(72) Inventor: **Tianyou Xia**, Shenzhen (CN)  
(\*\*) Term: **15 Years**

(21) Appl. No.: **29/842,246**  
(22) Filed: **Jun. 10, 2022**  
(51) **LOC (13) Cl.** ..... **06-06**  
(52) **U.S. Cl.**  
USPC ..... **D6/521**  
(58) **Field of Classification Search**  
USPC ..... D6/515-523, 527, 549  
CPC ..... A47K 10/025; A47K 10/16; A47K 10/18;  
A47K 10/22; A47K 10/24; A47K 10/38;  
A47K 10/42; A47K 10/3836; A47K  
2010/3206; A47K 2010/324; A47K  
2010/326; A47K 2010/3266  
See application file for complete search history.

(56) **References Cited**  
U.S. PATENT DOCUMENTS

|                |         |           |       |                         |
|----------------|---------|-----------|-------|-------------------------|
| D390,054 S *   | 2/1998  | Goodman   | ..... | D6/521                  |
| 6,405,973 B1 * | 6/2002  | Hollinger | ..... | A47K 10/38<br>242/591   |
| 6,443,388 B1 * | 9/2002  | Hollinger | ..... | A47K 10/3836<br>242/591 |
| D474,361 S *   | 5/2003  | Ancona    | ..... | D6/521                  |
| D474,633 S *   | 5/2003  | Ancona    | ..... | D6/521                  |
| D522,292 S     | 6/2006  | Goodman   |       |                         |
| D548,504 S *   | 8/2007  | Yang      | ..... | D6/521                  |
| D576,825 S *   | 9/2008  | Goodman   | ..... | D6/521                  |
| D628,836 S *   | 12/2010 | Guindi    | ..... | D6/521                  |
| D667,662 S *   | 9/2012  | Goodman   | ..... | D6/521                  |
| D699,046 S     | 2/2014  | Goodman   |       |                         |
| D793,760 S *   | 8/2017  | Goodman   | ..... | D6/521                  |
| D821,779 S *   | 7/2018  | Goodman   | ..... | D6/521                  |
| D852,535 S *   | 7/2019  | Goodman   | ..... | D6/521                  |

|                   |         |       |       |                           |
|-------------------|---------|-------|-------|---------------------------|
| D932,208 S *      | 10/2021 | Chen  | ..... | D6/521                    |
| 2007/0194168 A1 * | 8/2007  | Yang  | ..... | A47K 10/3836<br>242/597.7 |
| 2016/0174780 A1 * | 6/2016  | Bowen | ..... | A47K 10/3836<br>242/597.7 |

OTHER PUBLICATIONS

Black Paper Towel Holder Countertop, available in Amazon.com, first available date of Jul. 17, 2022, site visited Aug. 30, 2022, URL:https://www.amazon.com/dp/B0B6SL2PWR/ (Year: 2022).\*  
Etior® Premium Kitchen Napkin Holder, available in Amazon.in, site visited on Sep. 6, 2022, URL:https://www.amazon.in/Etior®-Premium-Kitchen-Households-Vintage/dp/B0826RWZGP (Year: 2022).\*  
Paper Towel Holder Countertop, available in amazon.com, date first available Jun. 20, 2021, site visited on Aug. 30, 2022, URL:https://www.amazon.com/dp/B092MBCTDF?ref=vse\_pfo\_cp\_widget&th=1 (Year: 2021).\*

\* cited by examiner

*Primary Examiner* — Mary Ann Calabrese  
*Assistant Examiner* — Mark David Wolfley  
(74) *Attorney, Agent, or Firm* — Jeenam Park

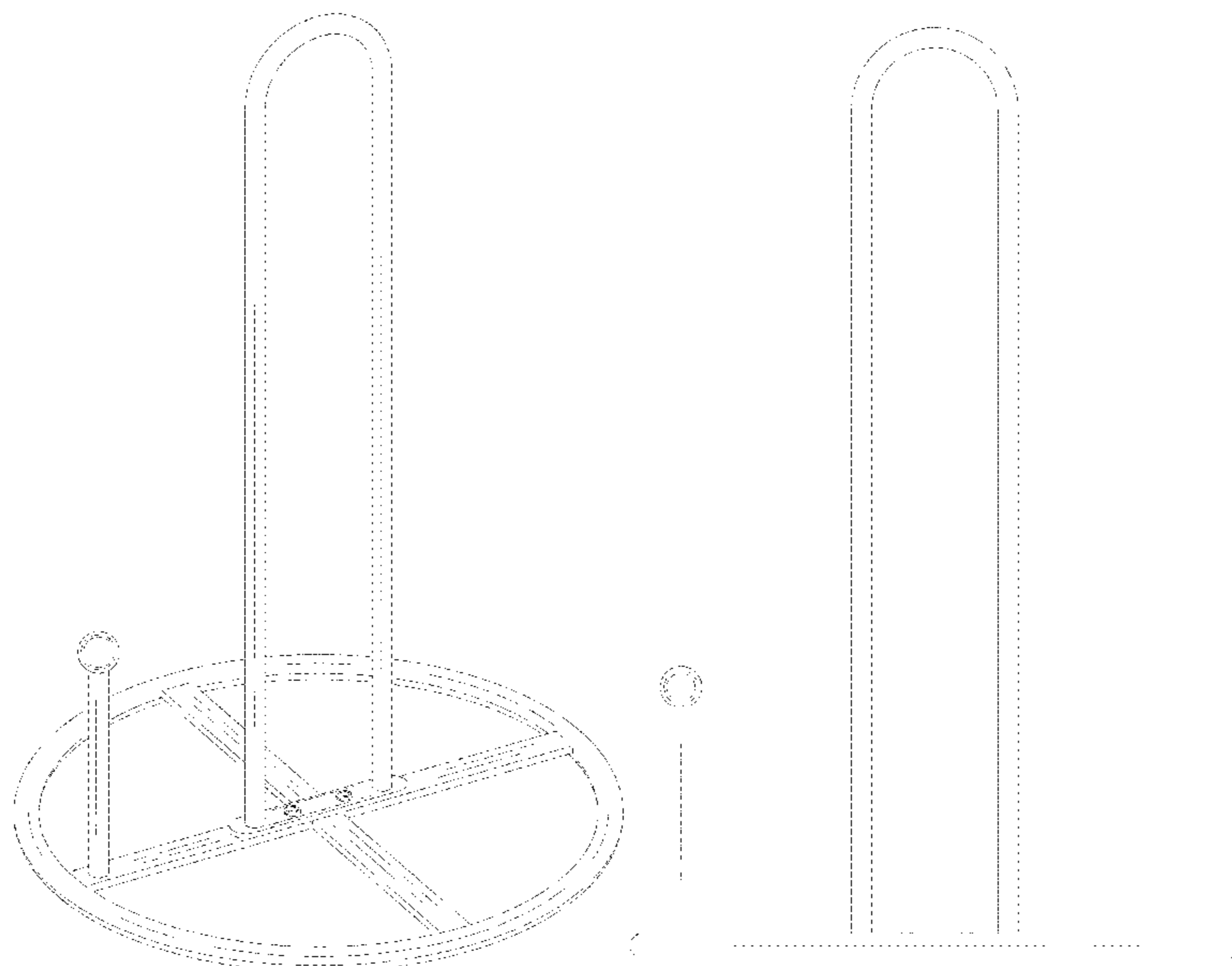
(57) **CLAIM**

The ornamental design for a paper towel holder, as shown and described.

**DESCRIPTION**

FIG. 1 is a perspective view of a paper towel holder, showing my new design;  
FIG. 2 is a front view thereof;  
FIG. 3 is a rear view thereof;  
FIG. 4 is a left side view thereof;  
FIG. 5 is a right side view thereof;  
FIG. 6 is a top plan view thereof; and,  
FIG. 7 is a bottom plan view thereof.  
The broken lines in the drawings illustrate portions of the paper towel holder that form no part of the claimed design.

**1 Claim, 7 Drawing Sheets**



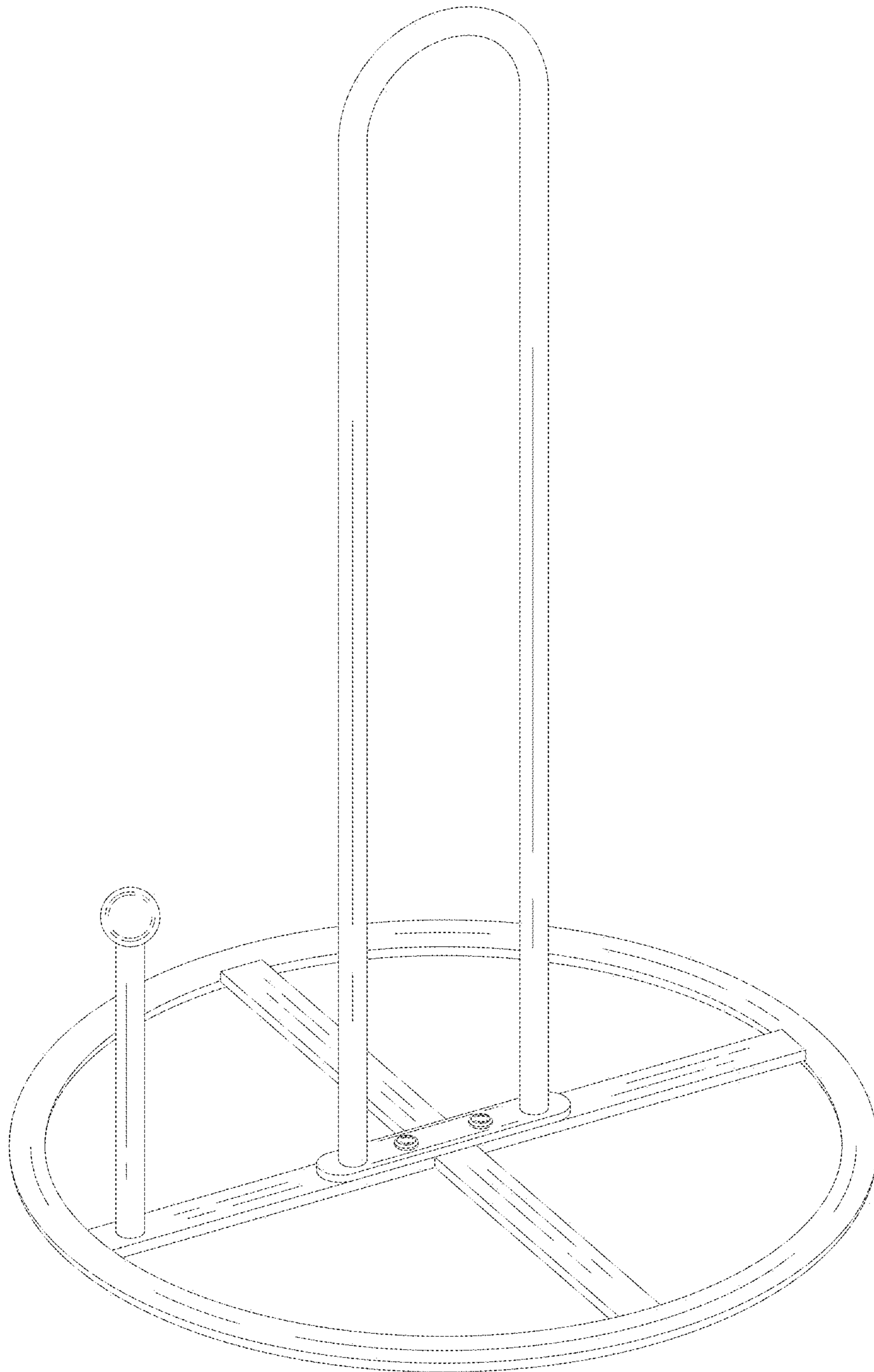


FIG. 1

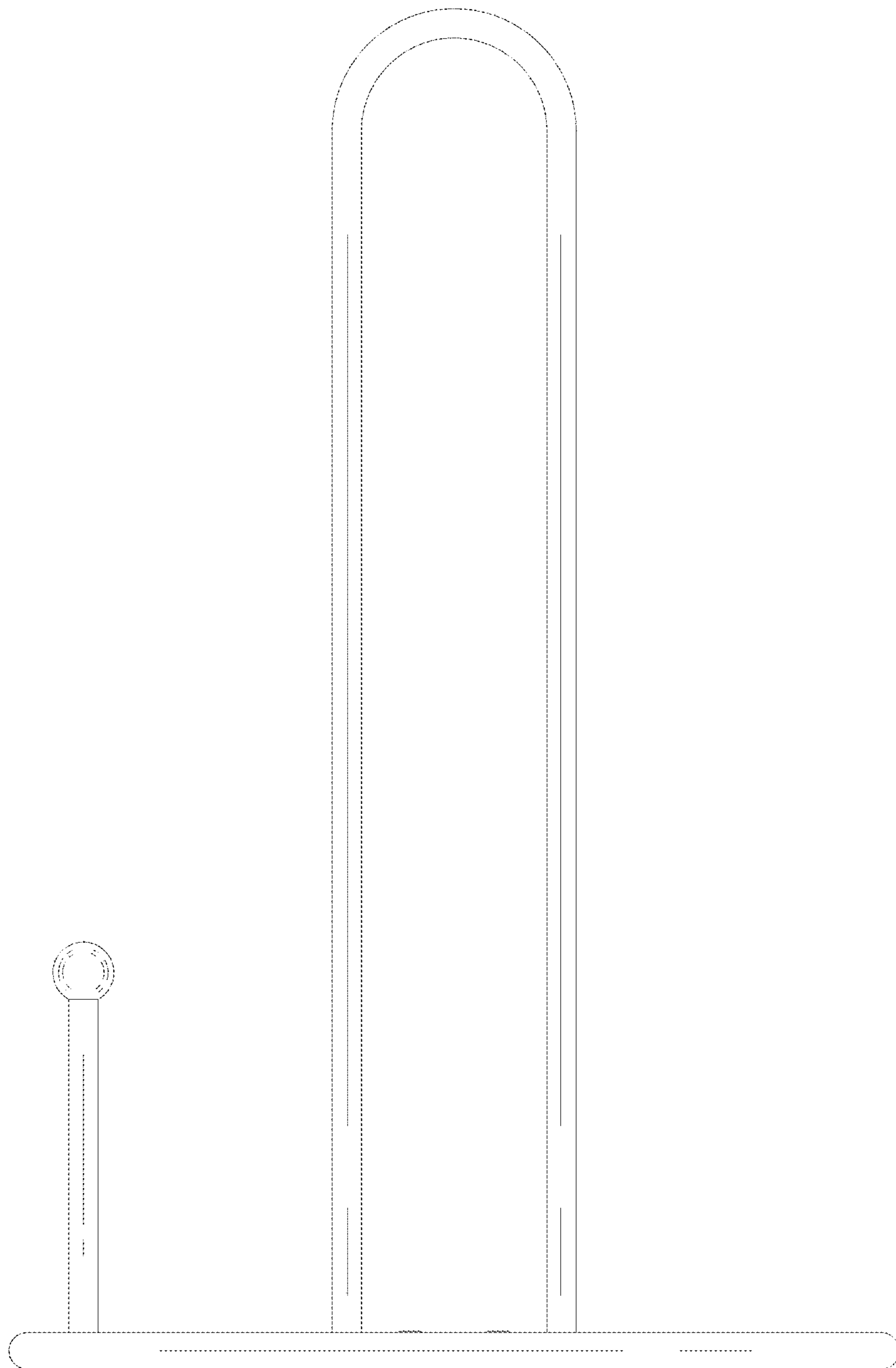


FIG. 2

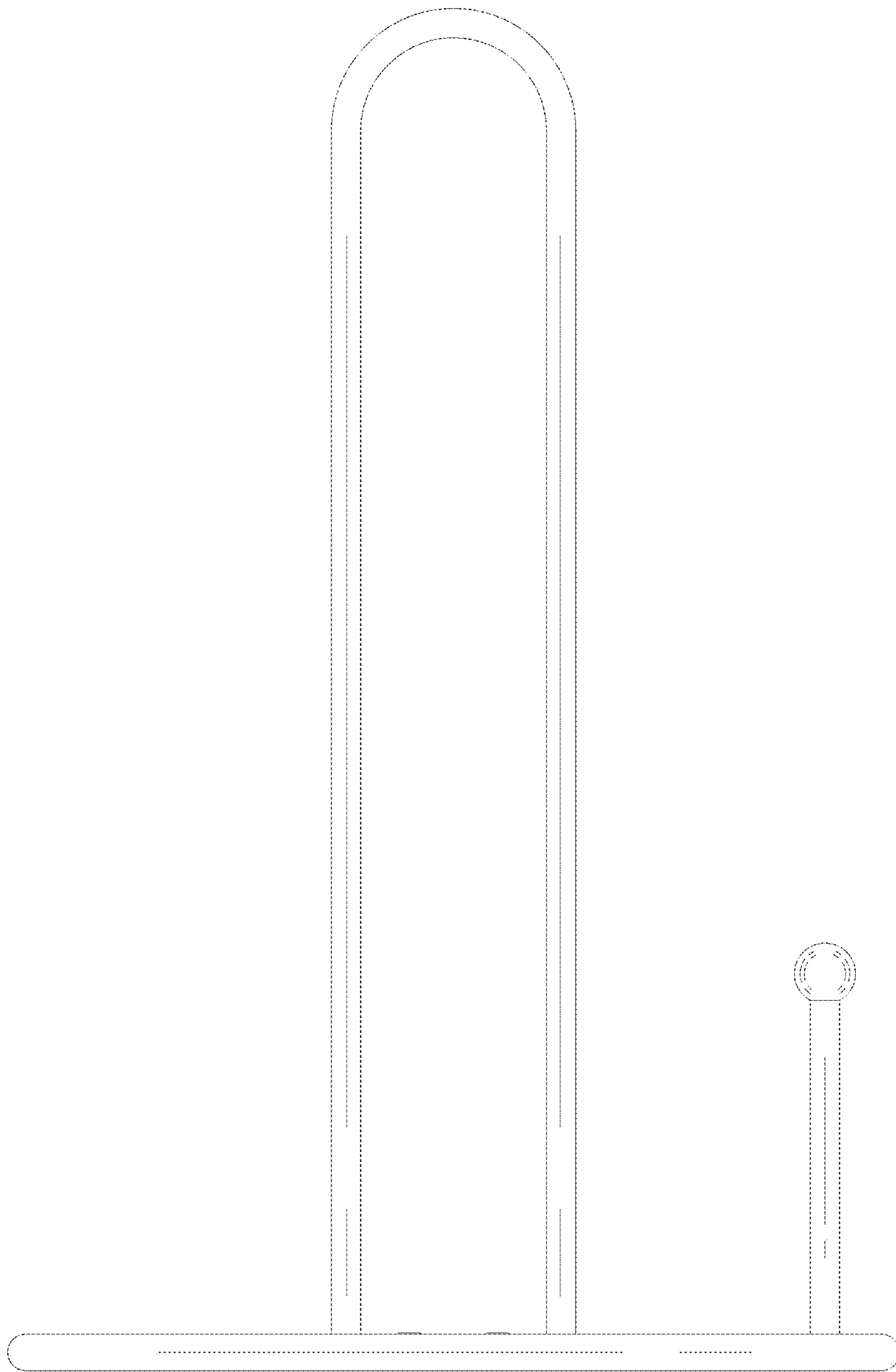


FIG. 3

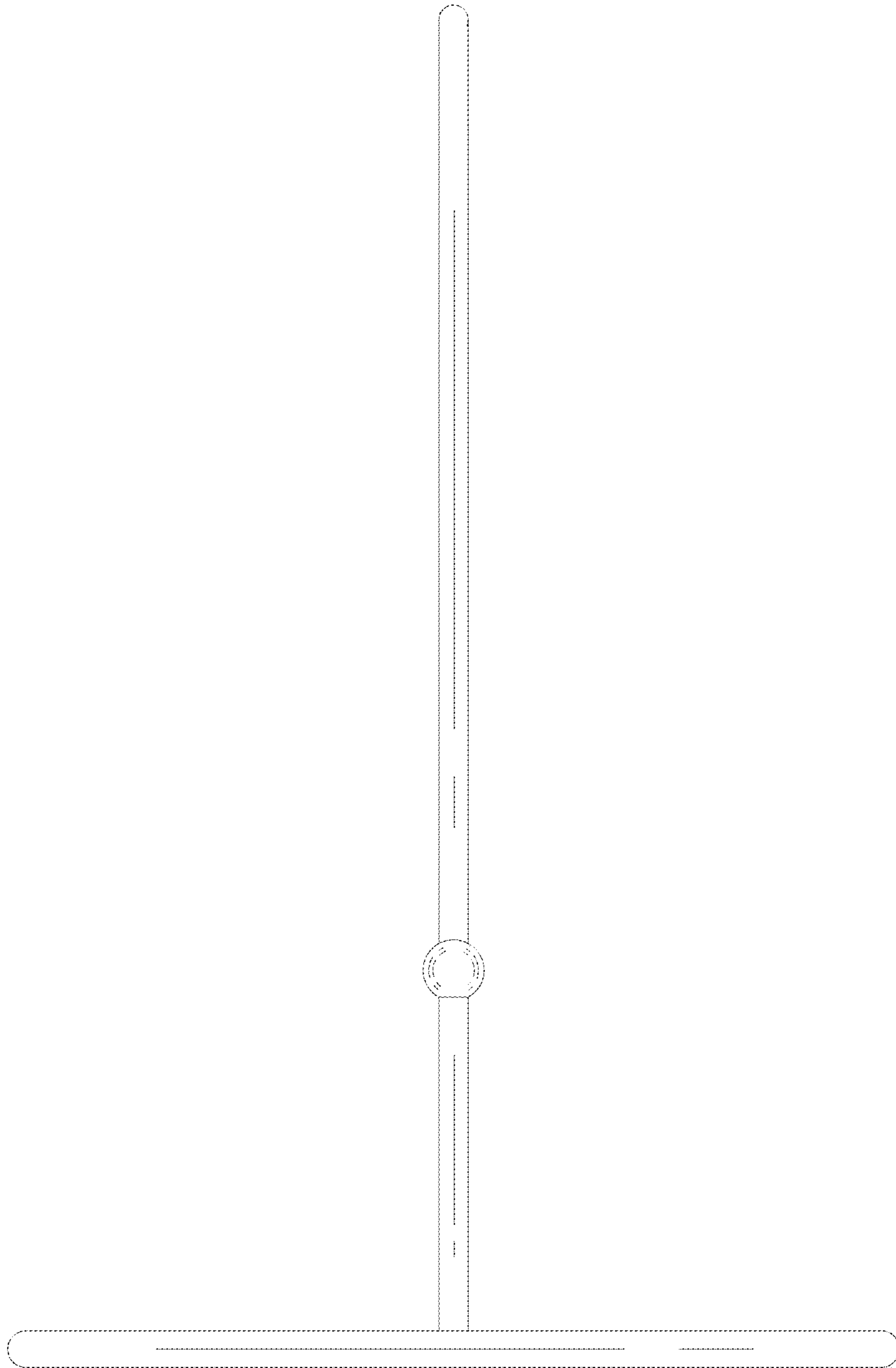


FIG. 4

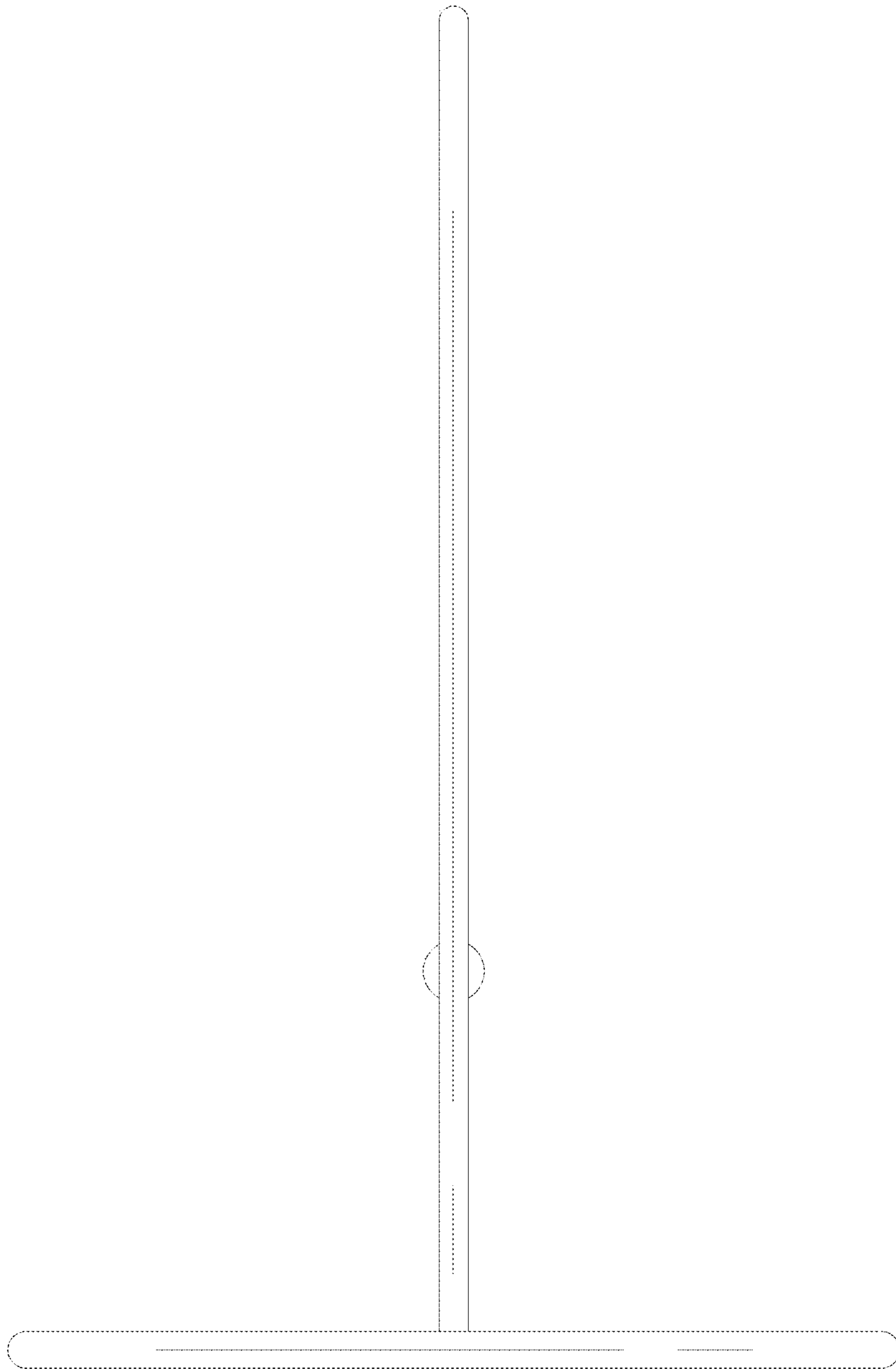


FIG. 5

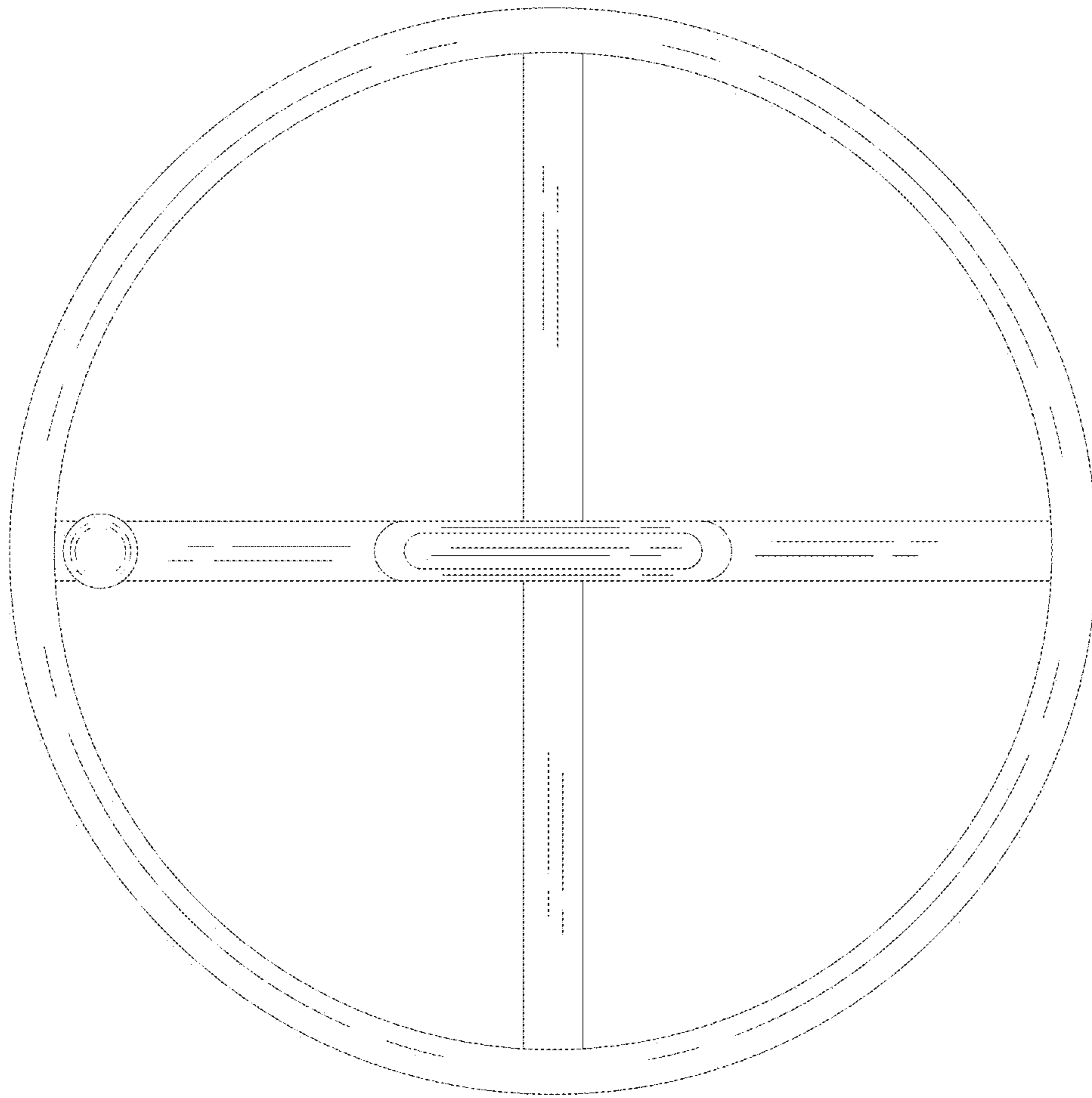


FIG. 6

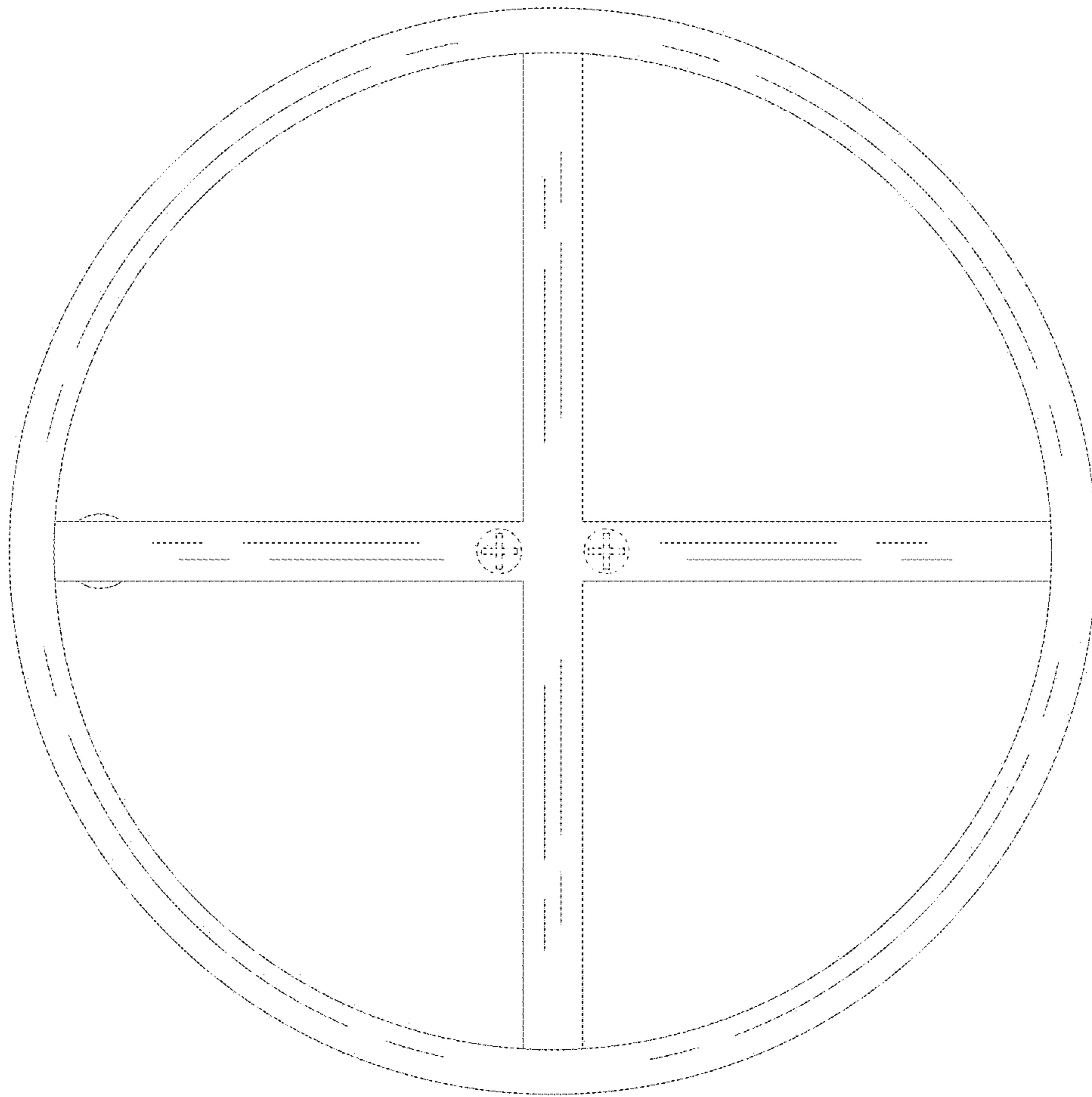


FIG. 7