



US00D968121S

(12) **United States Design Patent** (10) **Patent No.:** **US D968,121 S**
Xia (45) **Date of Patent:** **** Nov. 1, 2022**

(54) **PAPER TOWEL HOLDER**
(71) Applicant: **Tianyou Xia**, Shenzhen (CN)
(72) Inventor: **Tianyou Xia**, Shenzhen (CN)
(**) Term: **15 Years**

(21) Appl. No.: **29/842,245**
(22) Filed: **Jun. 10, 2022**
(51) **LOC (13) Cl.** **20-02**
(52) **U.S. Cl.**
USPC **D6/521**
(58) **Field of Classification Search**
USPC D6/515-523, 527, 549
CPC A47K 10/025; A47K 10/16; A47K 10/18;
A47K 10/22; A47K 10/24; A47K 10/38;
A47K 10/42; A47K 10/3836; A47K
2010/3206; A47K 2010/324; A47K
2010/326; A47K 2010/3266
See application file for complete search history.

(56) **References Cited**

U.S. PATENT DOCUMENTS

D390,054 S * 2/1998 Goodman D6/521
6,405,973 B1 * 6/2002 Hollinger A47K 10/38
242/591
6,443,388 B1 * 9/2002 Hollinger A47K 10/3836
242/591
D474,361 S * 5/2003 Ancona D6/521
D474,633 S * 5/2003 Ancona D6/521
D522,292 S 6/2006 Goodman
D548,504 S * 8/2007 Yang D6/521
D576,825 S * 9/2008 Goodman D6/521
D628,836 S * 12/2010 Guindi D6/521
D667,662 S * 9/2012 Goodman D6/521
D699,046 S 2/2014 Goodman
D793,760 S * 8/2017 Goodman D6/521
D821,779 S * 7/2018 Goodman D6/521

D852,535 S * 7/2019 Goodman D6/521
D932,208 S * 10/2021 Chen D6/521
2007/0194168 A1 * 8/2007 Yang A47K 10/3836
242/597.7
2016/0174780 A1 * 6/2016 Bowen A47K 10/3836
242/597.7

OTHER PUBLICATIONS

Paper Towel Holder Countertop, available in walmart.com, site visited Aug. 30, 2022, URL:https://www.walmart.com/ip/Paper-Towel-Holder-Holder-Countertop-Farmhouse-Stand-Real-Wood-Base-Holders-Kitchen-Dining-Table-Home-D-cor/214890564?wmlspartner=wlpa&selectedSellerId=10%E2%80%A6 (Year: 2022).*

* cited by examiner

Primary Examiner — Mary Ann Calabrese
Assistant Examiner — Mark David Wolfley
(74) *Attorney, Agent, or Firm* — Jeenam Park

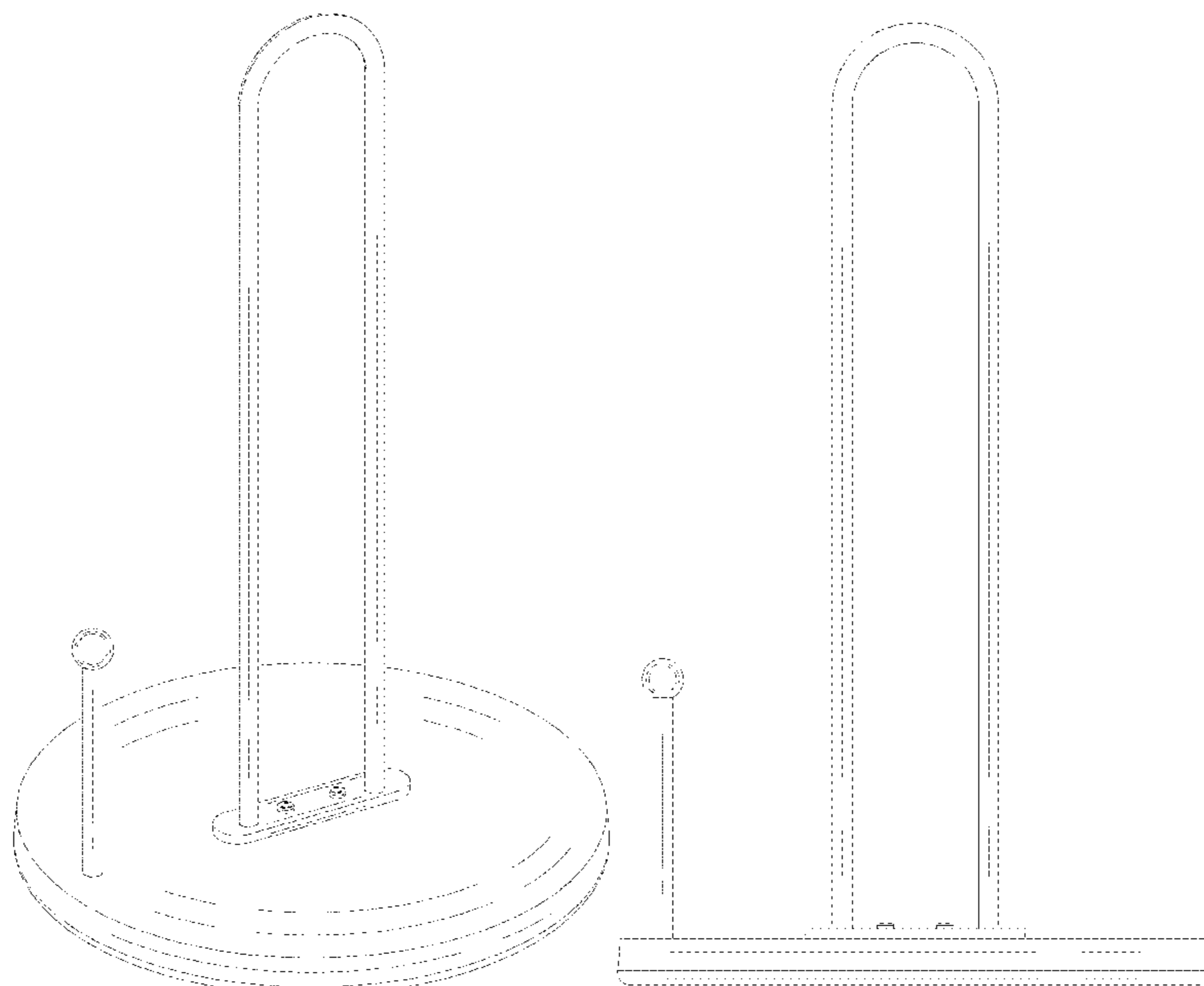
(57) **CLAIM**

The ornamental design for a paper towel holder, as shown and described.

DESCRIPTION

FIG. 1 is a perspective view of a paper towel holder, showing my new design;
FIG. 2 is a front view thereof;
FIG. 3 is a rear view thereof;
FIG. 4 is a left side view thereof;
FIG. 5 is a right side view thereof;
FIG. 6 is a top plan view thereof; and,
FIG. 7 is a bottom plan view thereof.
The broken lines in the drawings illustrate portions of the paper towel holder that form no part of the claimed design.

1 Claim, 7 Drawing Sheets



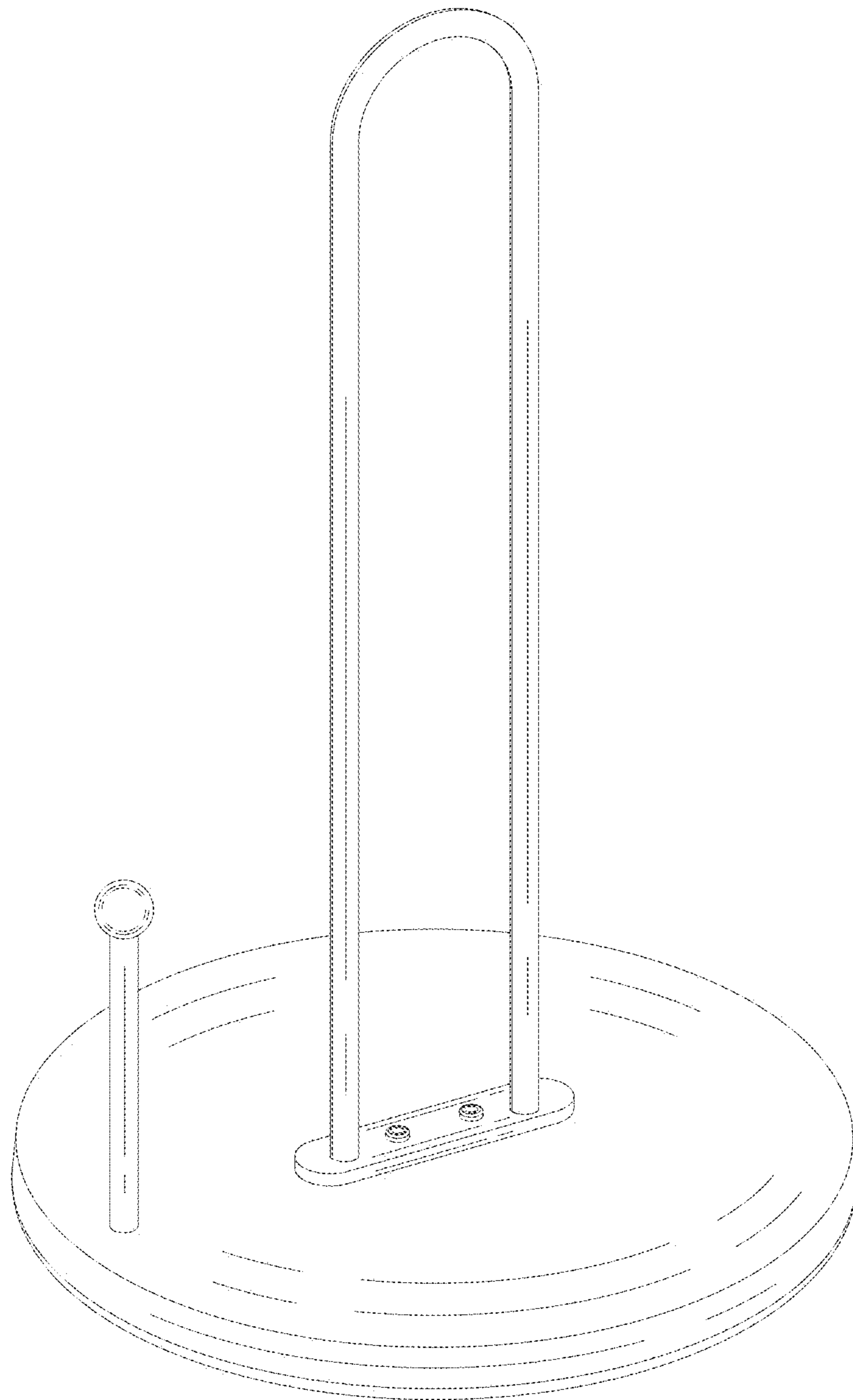


FIG. 1

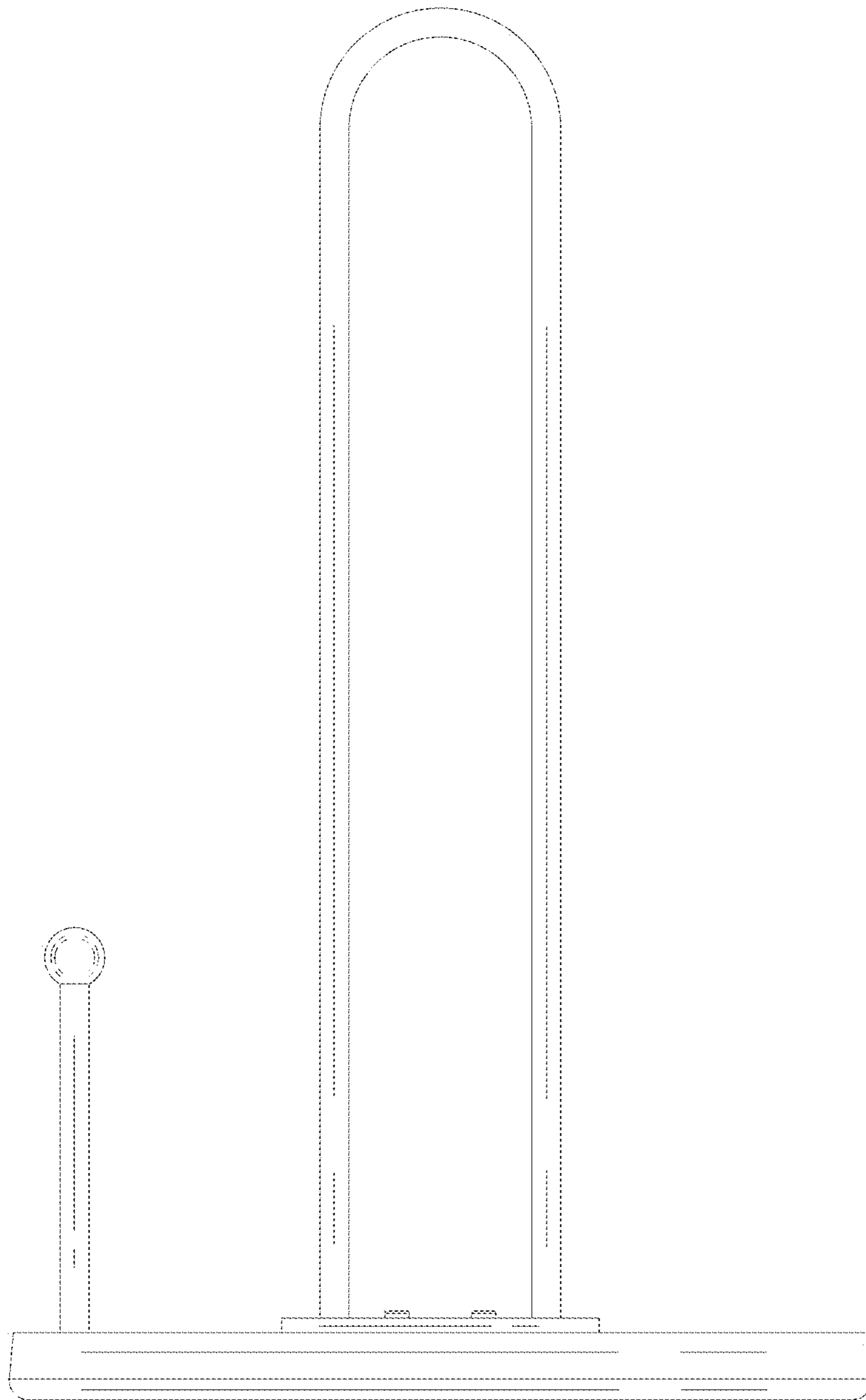


FIG. 2

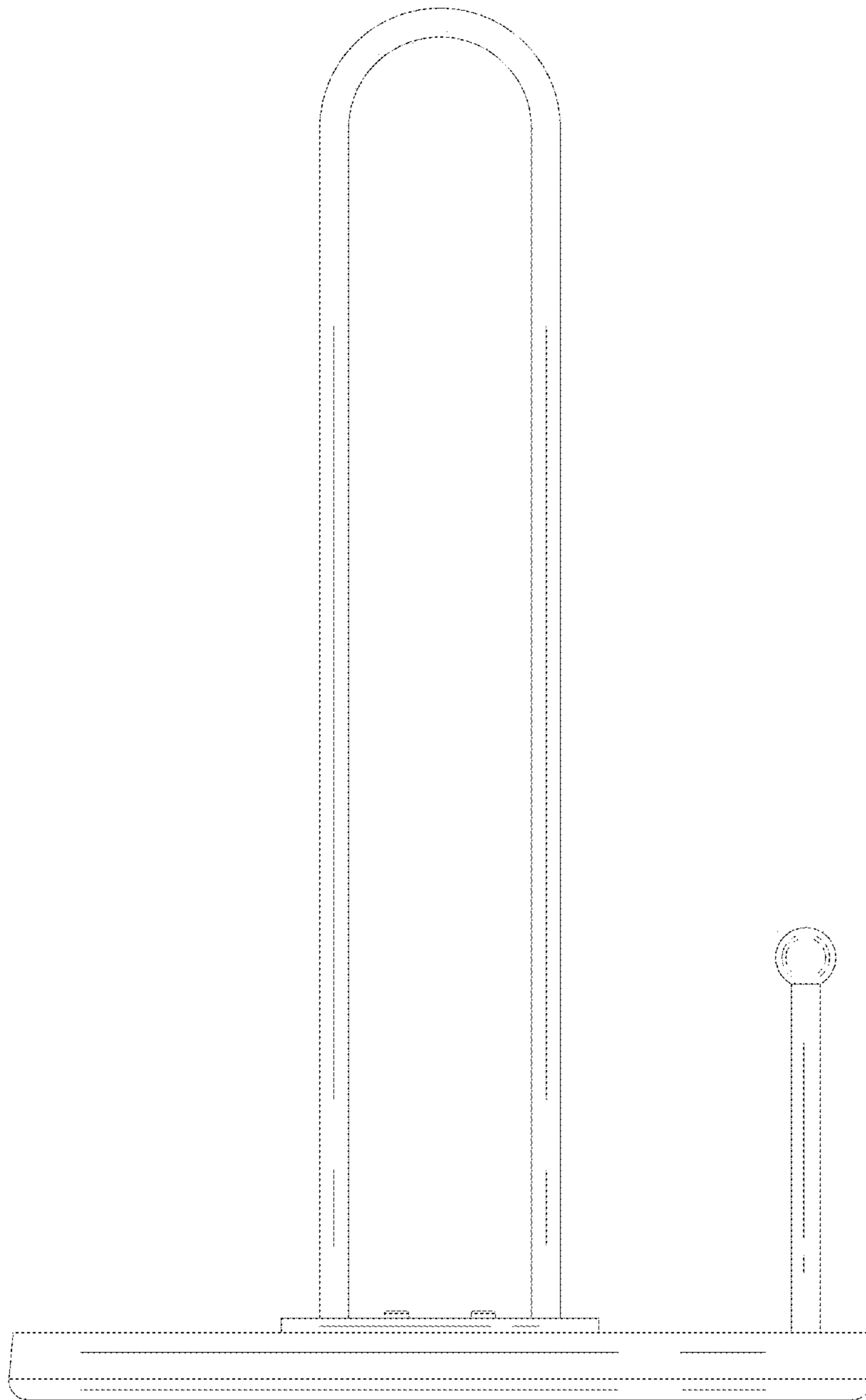


FIG. 3

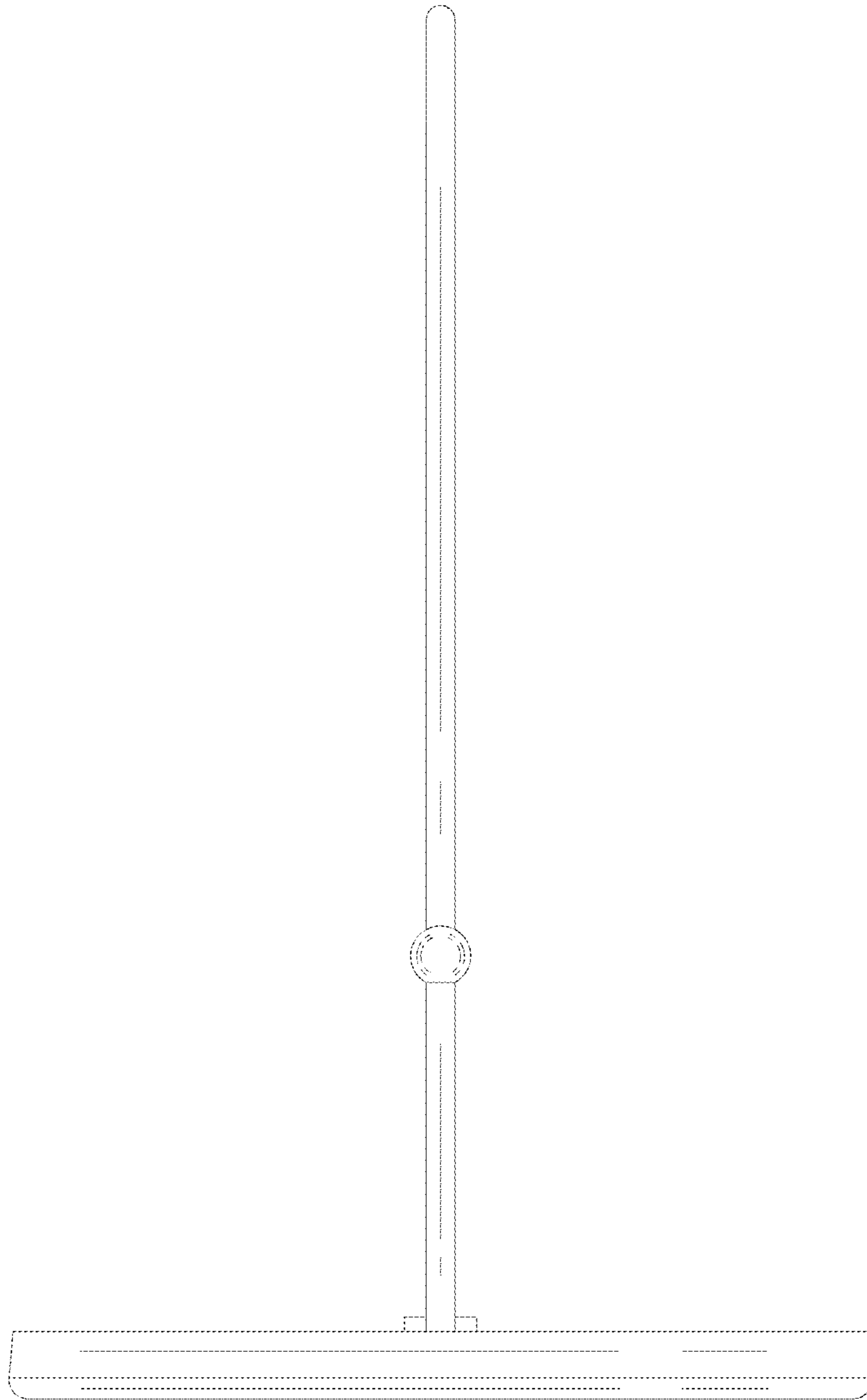


FIG. 4

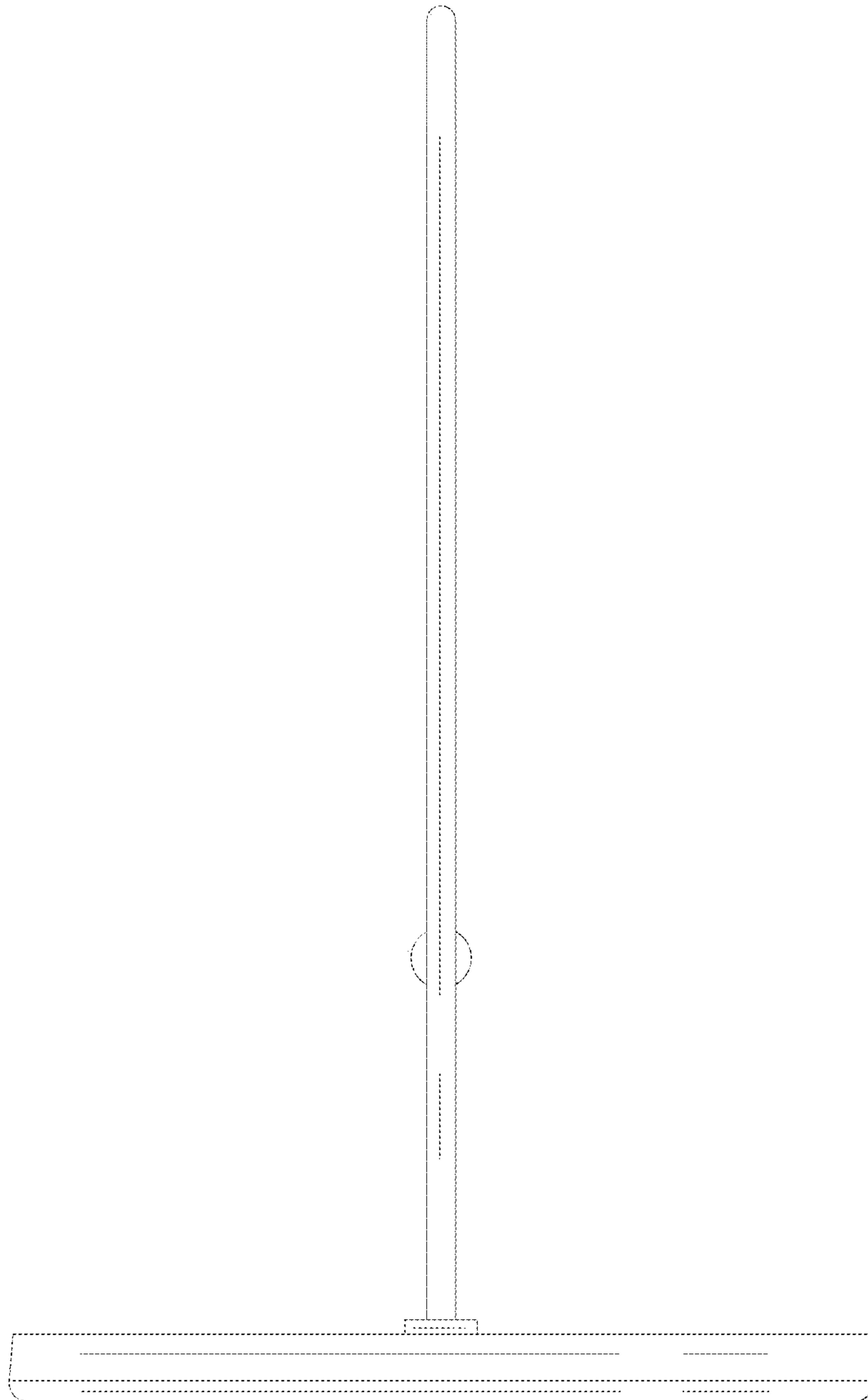


FIG. 5

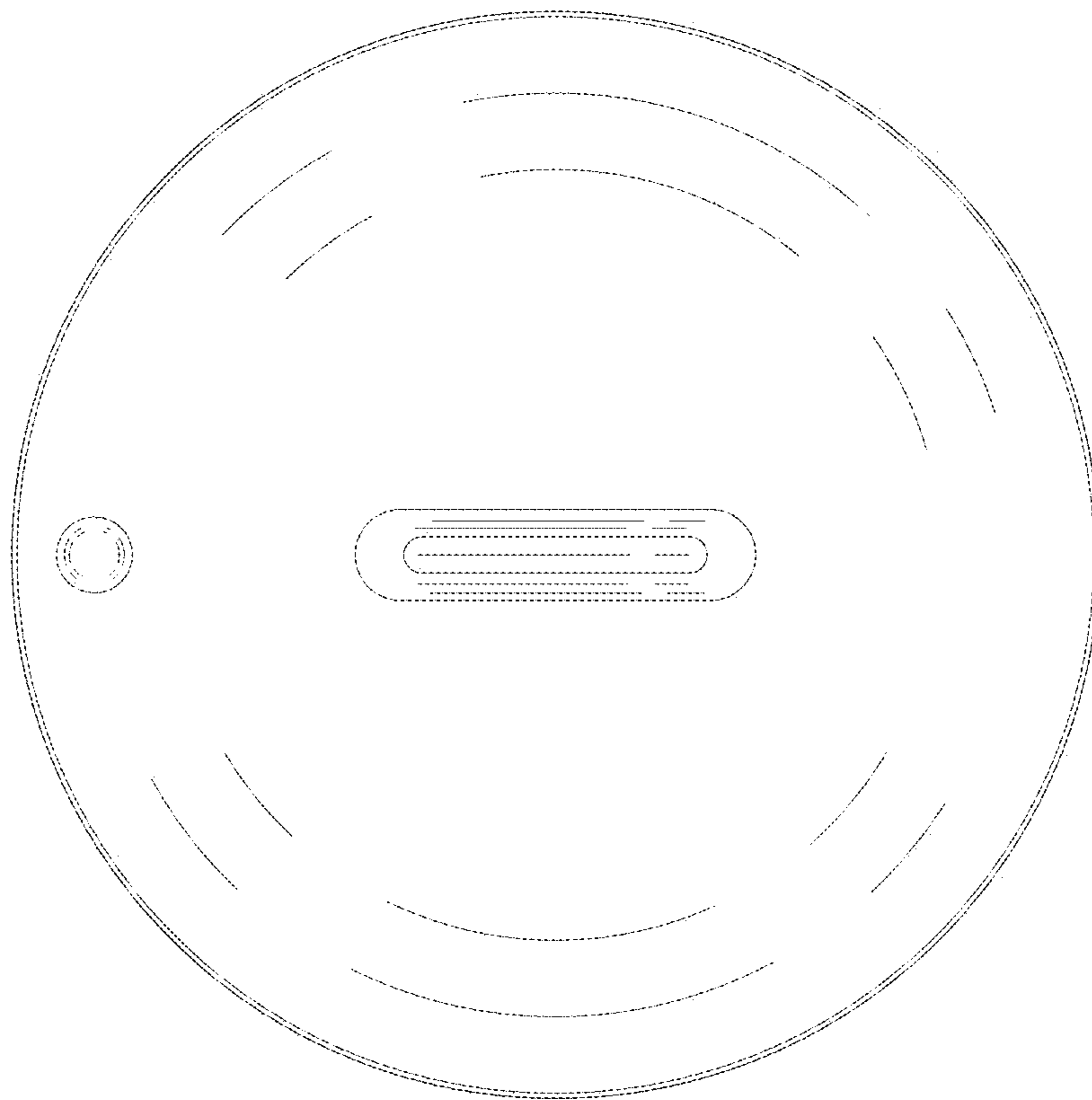


FIG. 6

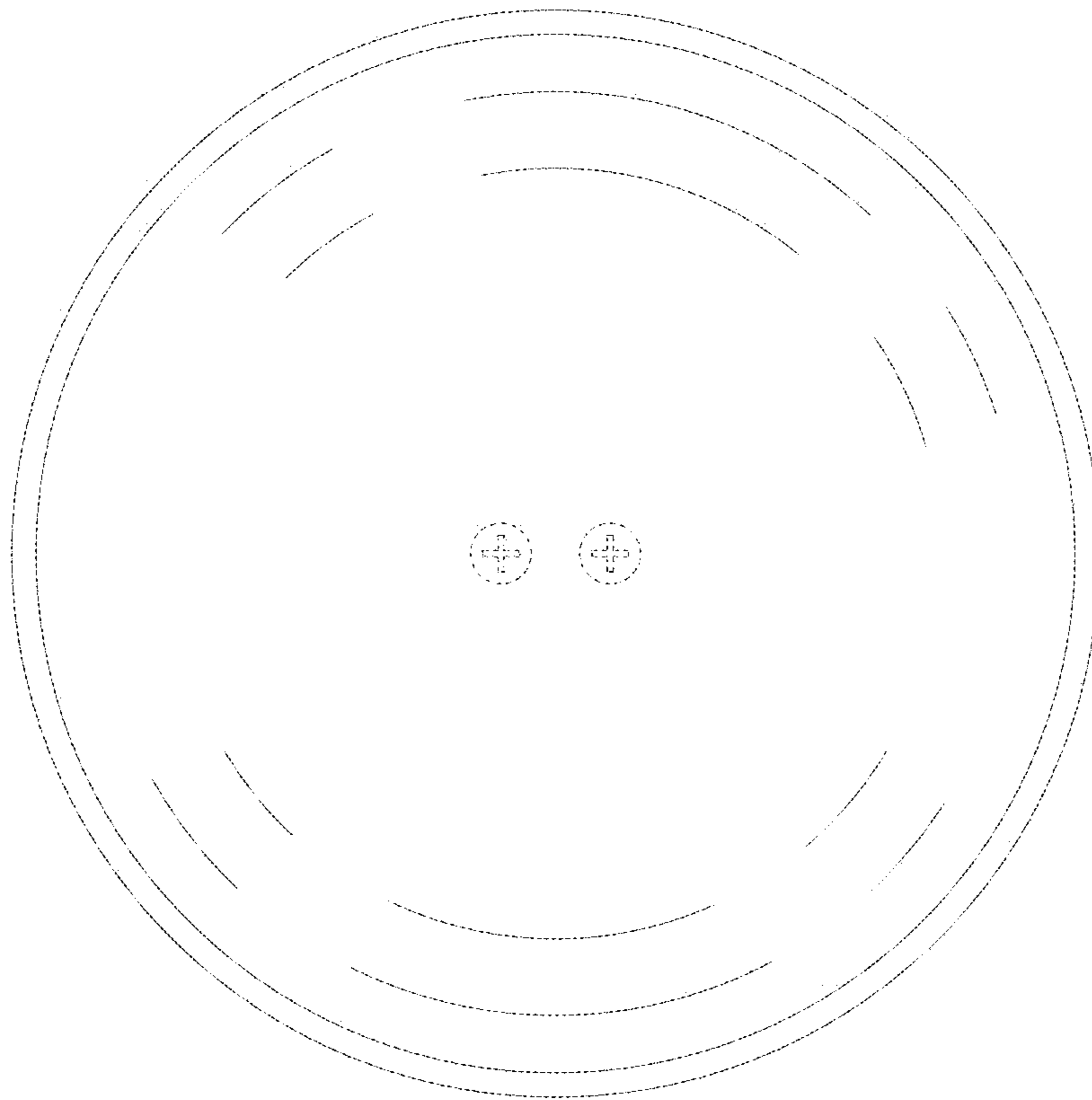


FIG. 7