



US00D968118S

(12) **United States Design Patent**
Huang

(10) **Patent No.:** **US D968,118 S**
(45) **Date of Patent:** **** Nov. 1, 2022**

(54) **METAL BED FRAME**

(71) Applicant: **Qingxia Huang**, Putian (CN)

(72) Inventor: **Qingxia Huang**, Putian (CN)

(**) Term: **15 Years**

(21) Appl. No.: **29/822,764**

(22) Filed: **Jan. 12, 2022**

(51) **LOC (13) Cl.** **06-02**

(52) **U.S. Cl.**
USPC **D6/395**

(58) **Field of Classification Search**
USPC D6/329, 382, 383, 384, 393, 394, 395,
D6/718, 718.13

CPC A47C 19/02; A47C 19/022; A47C 19/00;
A47C 19/025; A47C 31/00

See application file for complete search history.

(56) **References Cited**

U.S. PATENT DOCUMENTS

D26,449 S	*	12/1896	Merritt	D6/395
D26,450 S	*	12/1896	Merritt	D6/395
D26,854 S	*	3/1897	Foster	D6/395
D26,855 S	*	3/1897	Foster	D6/395
D35,528 S	*	12/1901	Barcalo	D6/395
D41,568 S	*	7/1911	Moore	D6/394
D41,571 S	*	7/1911	Moore	D6/395
1,781,807 A	*	11/1930	De Leon	A47C 19/025 5/8
D547,565 S	*	7/2007	Peterson	D6/718.21
D660,046 S	*	5/2012	al-Rawi	D6/393
D690,527 S	*	10/2013	al-Rawi	D6/393
D739,157 S		9/2015	Everson		
D763,594 S		8/2016	Everson		
D764,204 S		8/2016	Medley		
D791,495 S		7/2017	Everson		
D848,176 S		5/2019	Christiansen		
D868,495 S		12/2019	Lee		
D911,059 S	*	2/2021	Fang	D6/394

(Continued)

OTHER PUBLICATIONS

“Braxton Studio Ginette Vintage Platform Bed.” Found online Aug. 24, 2022 at www.amazon.com. Product first available Jun. 6, 2018. Retrieved from URL: <https://www.amazon.com/Baxton-Studio-Industrial-Finished-Platform/dp/B07DKW47MC> (Year: 2018).*

(Continued)

Primary Examiner — Michael C Stout

Assistant Examiner — Katelin G Kloberg

(74) *Attorney, Agent, or Firm* — Rumit Ranjit Kanakia

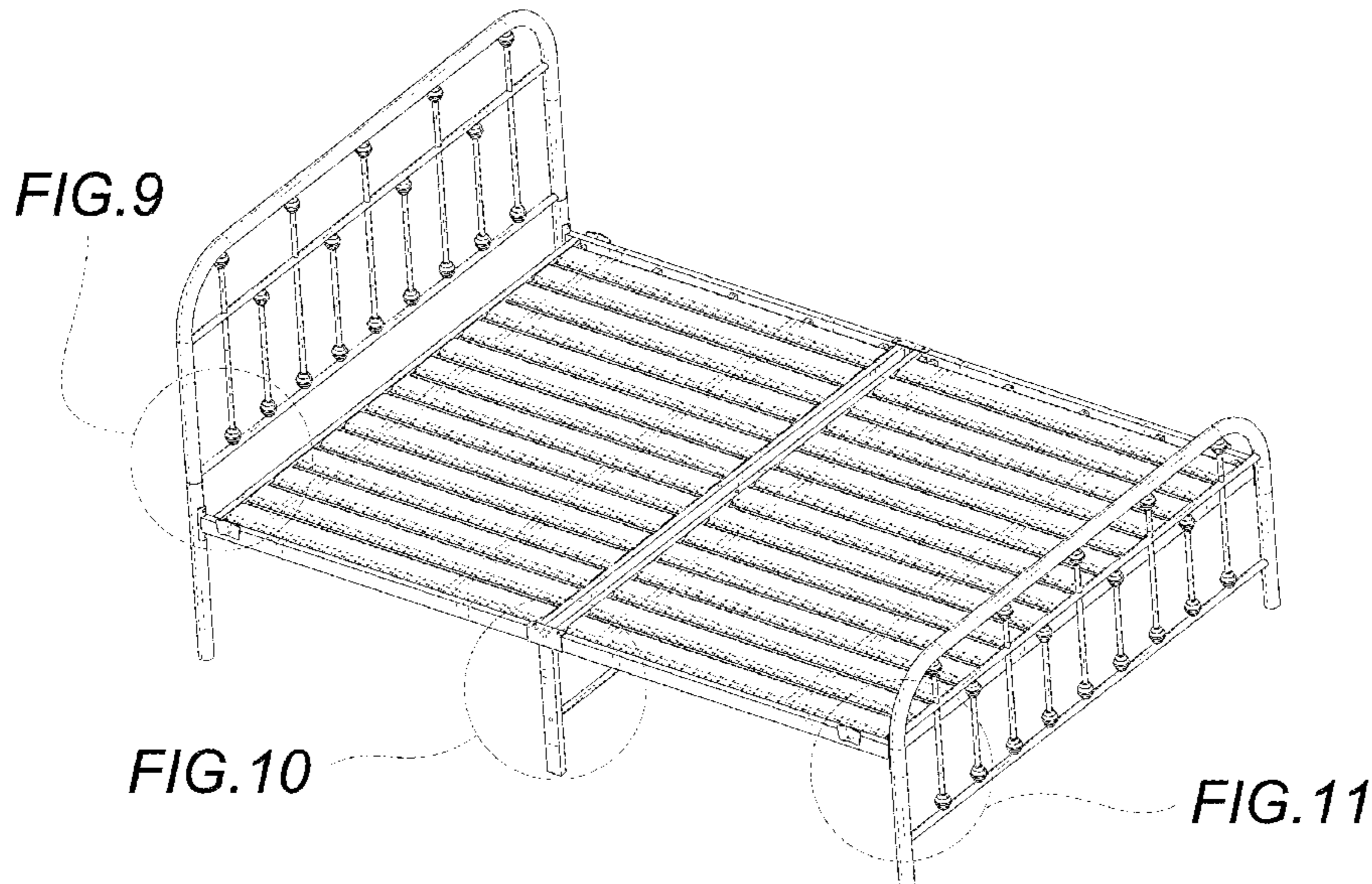
(57) **CLAIM**

The ornamental design for a metal bed frame, as shown and described.

DESCRIPTION

FIG. 1 is a top, front, right side perspective view of a lifting table, showing my new design;
FIG. 2 is a bottom, rear, left side perspective view thereof; and;
FIG. 3 is a front elevational view thereof;
FIG. 4 is a rear elevational view thereof;
FIG. 5 is a left elevational view thereof;
FIG. 6 is a right side view thereof;
FIG. 7 is a top side view thereof;
FIG. 8 is a bottom plan view thereof;
FIG. 9 is an enlarged view of detail 9 in FIG. 1;
FIG. 10 is an enlarged view of detail 10 in FIG. 1;
FIG. 11 is an enlarged view of detail 11 in FIG. 1;
FIG. 12 is an enlarged view of detail 12 in FIG. 2;
FIG. 13 is an enlarged view of detail 13 in FIG. 2;
FIG. 14 is an enlarged view of detail 14 in FIG. 2; and,
FIG. 15 is an enlarged view of detail 15 in FIG. 3.
The broken lines in the figures are for the purposes of illustrating portions of the metal bed frame, which form no part of the claimed design.

1 Claim, 12 Drawing Sheets



(56)

References Cited

U.S. PATENT DOCUMENTS

D917,193 S 4/2021 Shen
D917,194 S 4/2021 Shen
D917,195 S 4/2021 Shen
D917,196 S 4/2021 Shen
D933,994 S * 10/2021 Li D6/395
2020/0375367 A1* 12/2020 Qiu A47C 19/005

OTHER PUBLICATIONS

“Full Platform Metal Bed Frame.” Found online Aug. 24, 2022 at www.amazon.com. Product first available Jul. 1, 2019. Retrieved from URL: <https://www.amazon.com/URODECOR-Headboard-Footerboard-Victorian-Foundation/dp/B07TS35GHW> (Year: 2019).*

“Modway Alessia Modern Farmhouse Metal Headboard.” Found online Aug. 24, 2022 at www.amazon.com. Product first available May 19, 2022. Retrieved from URL: <https://www.amazon.com/Modway-Alessia-Modern-Farmhouse-Headboard/dp/B088TY6G53> (Year: 2022).*

“Yaheetech Classic Metal Platform Bed Frame.” Found online Aug. 24, 2022 at www.amazon.com. Product first available Feb. 2, 2021. Retrieved from URL: <https://www.amazon.com/YAHEETECH-Foundation-Victorian-Headboard-Footerboard/dp/B08VN6W69N> (Year: 2021).*

* cited by examiner

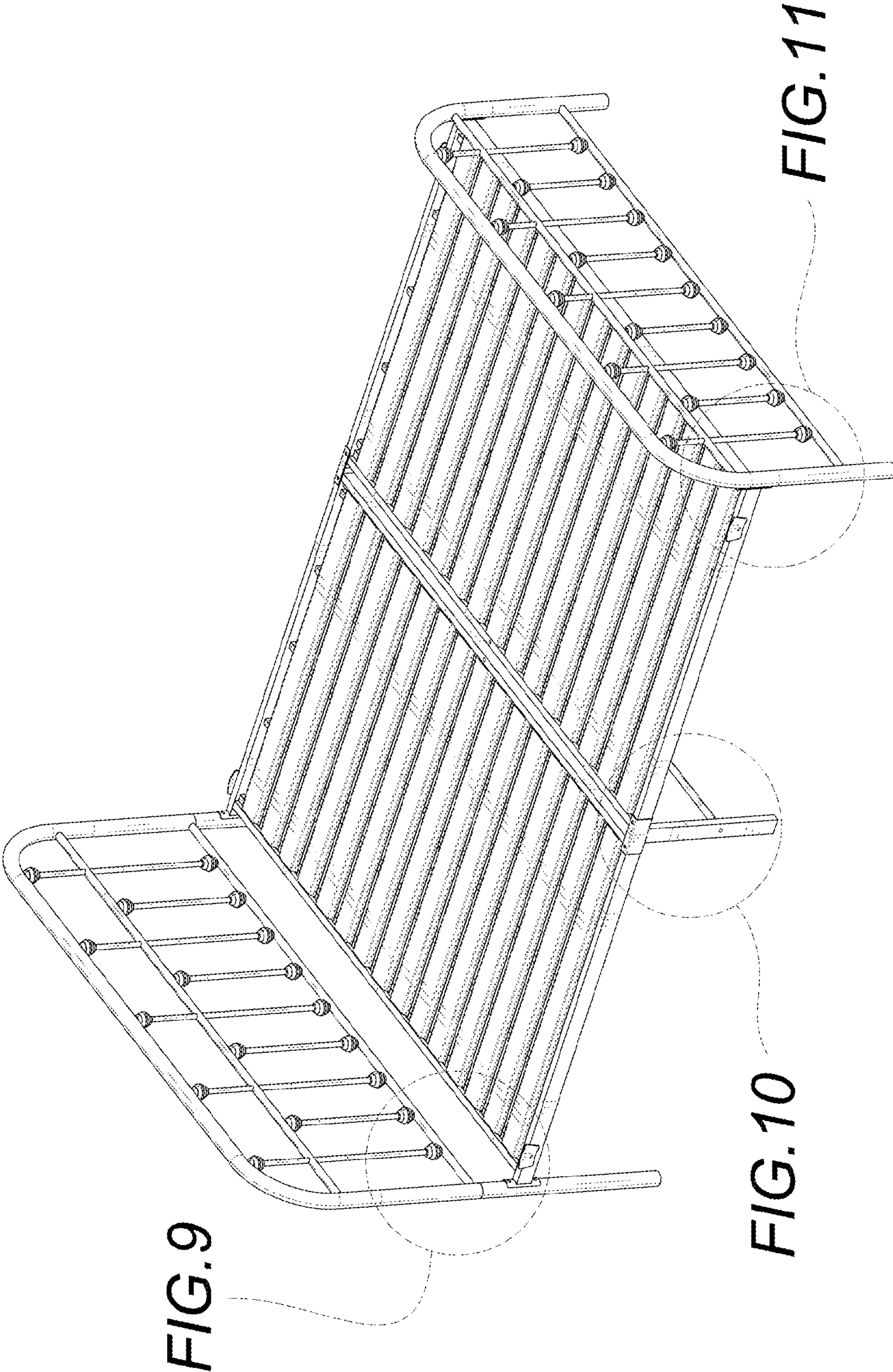


FIG. 9

FIG. 10

FIG. 11

FIG. 1

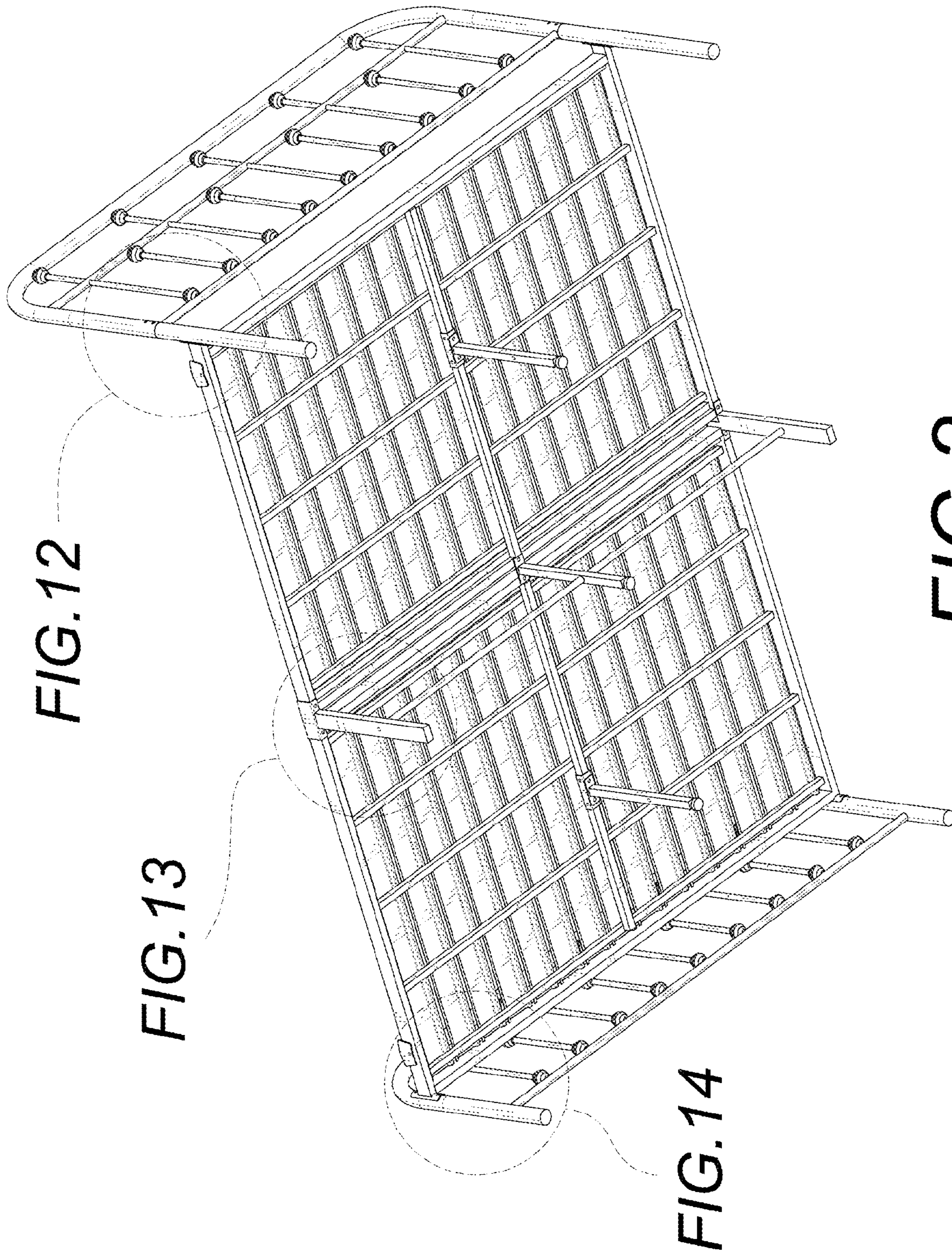


FIG. 12

FIG. 13

FIG. 14

FIG. 2

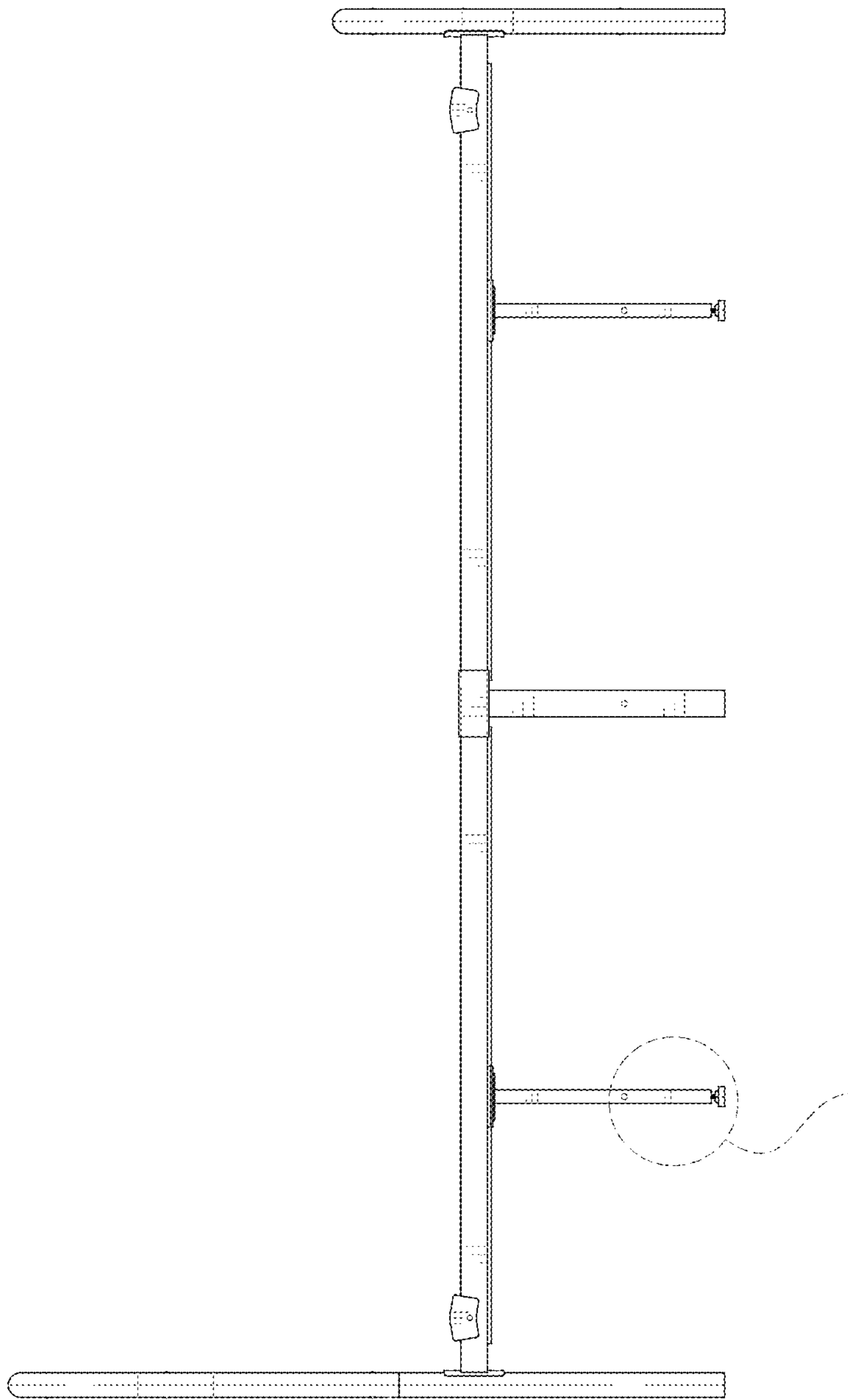


FIG. 15

FIG. 3

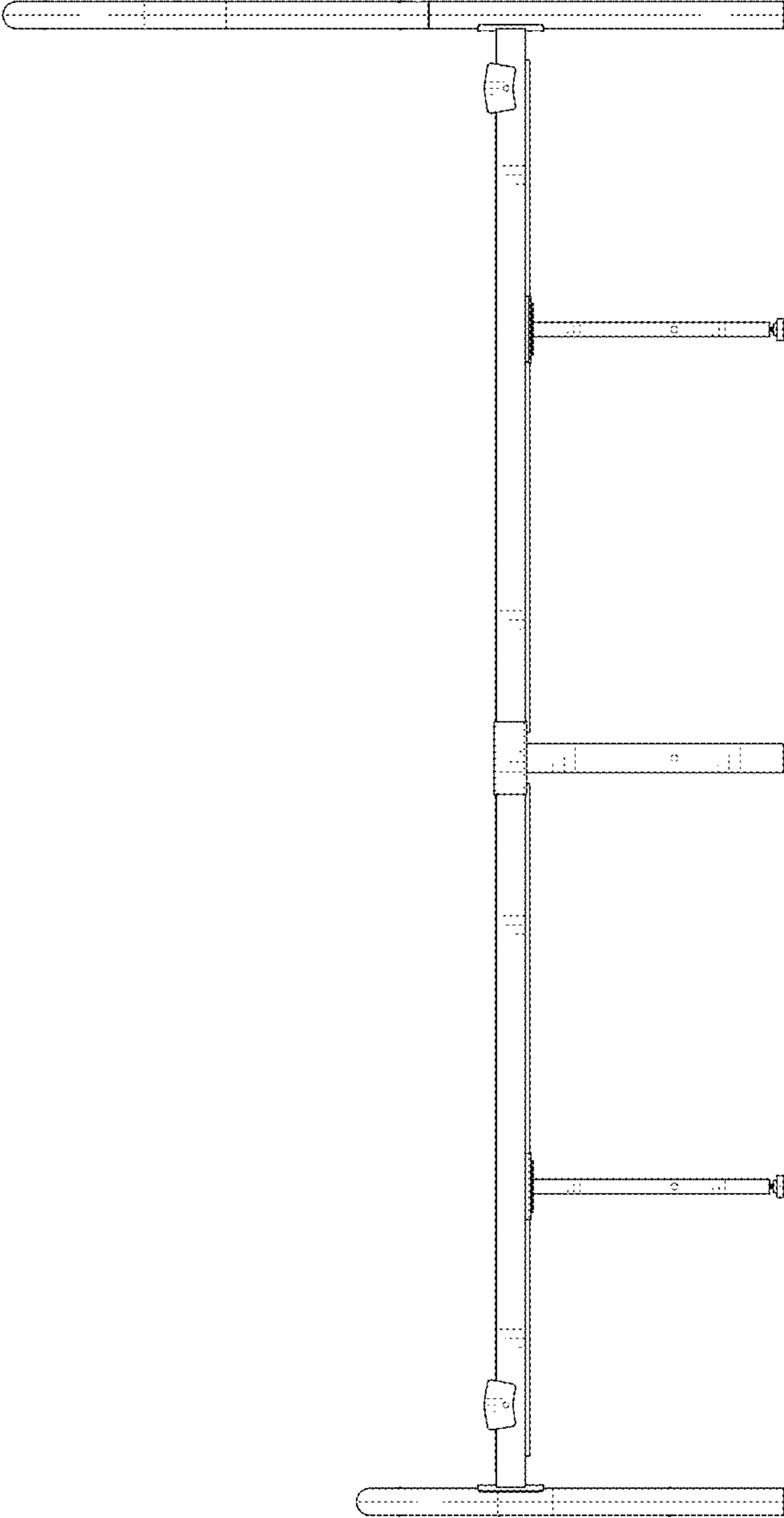


FIG. 4

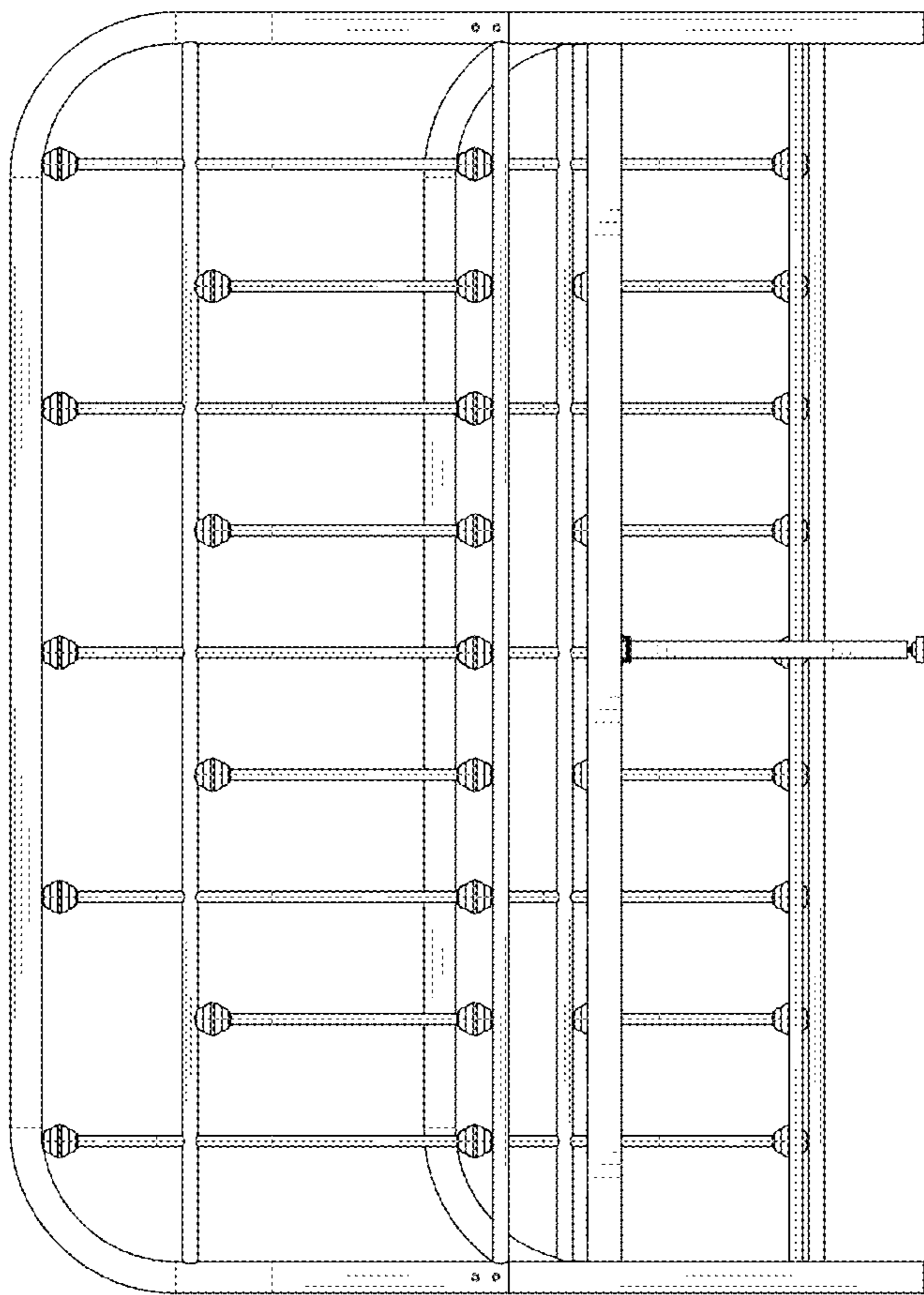


FIG. 5

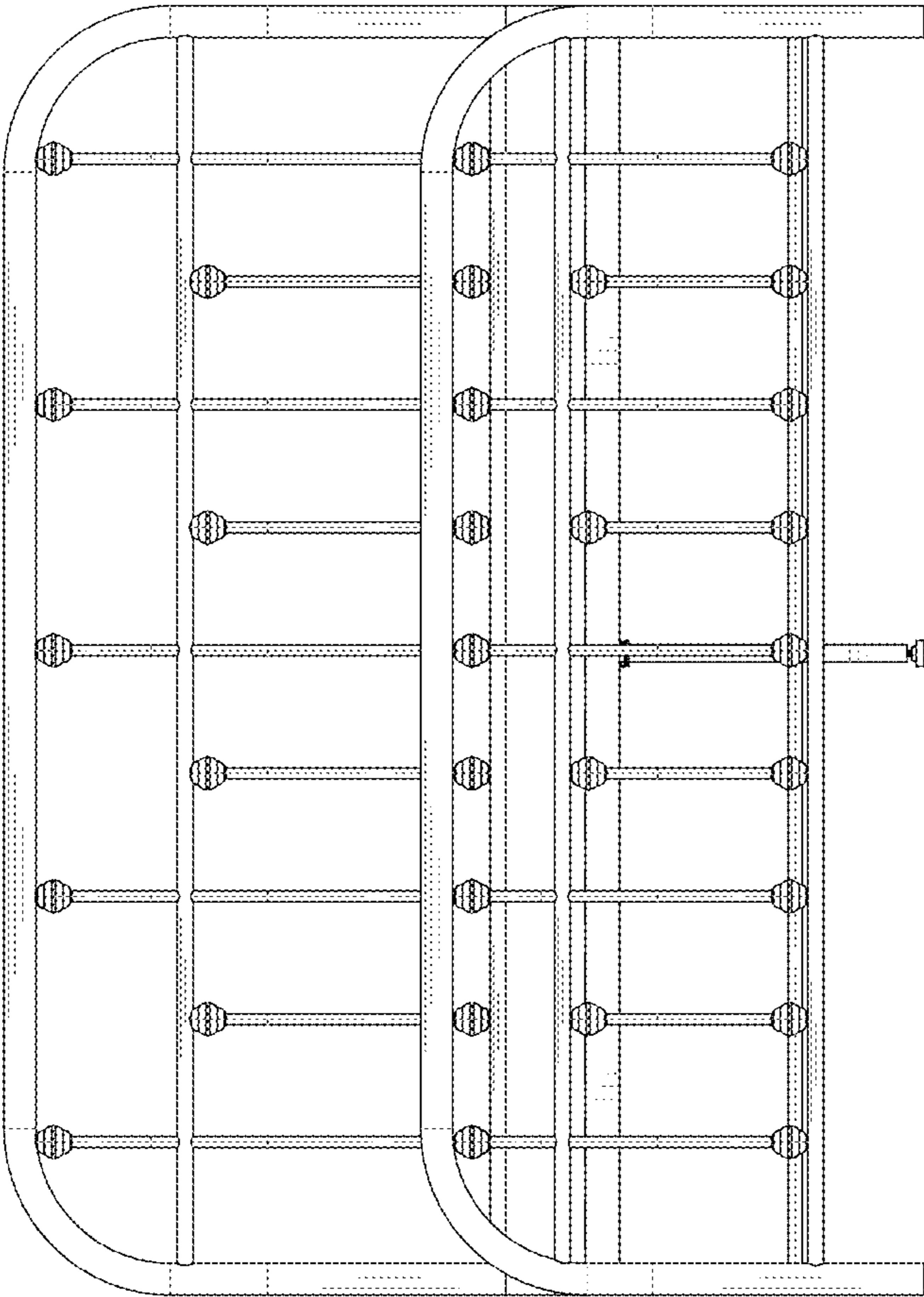


FIG. 6

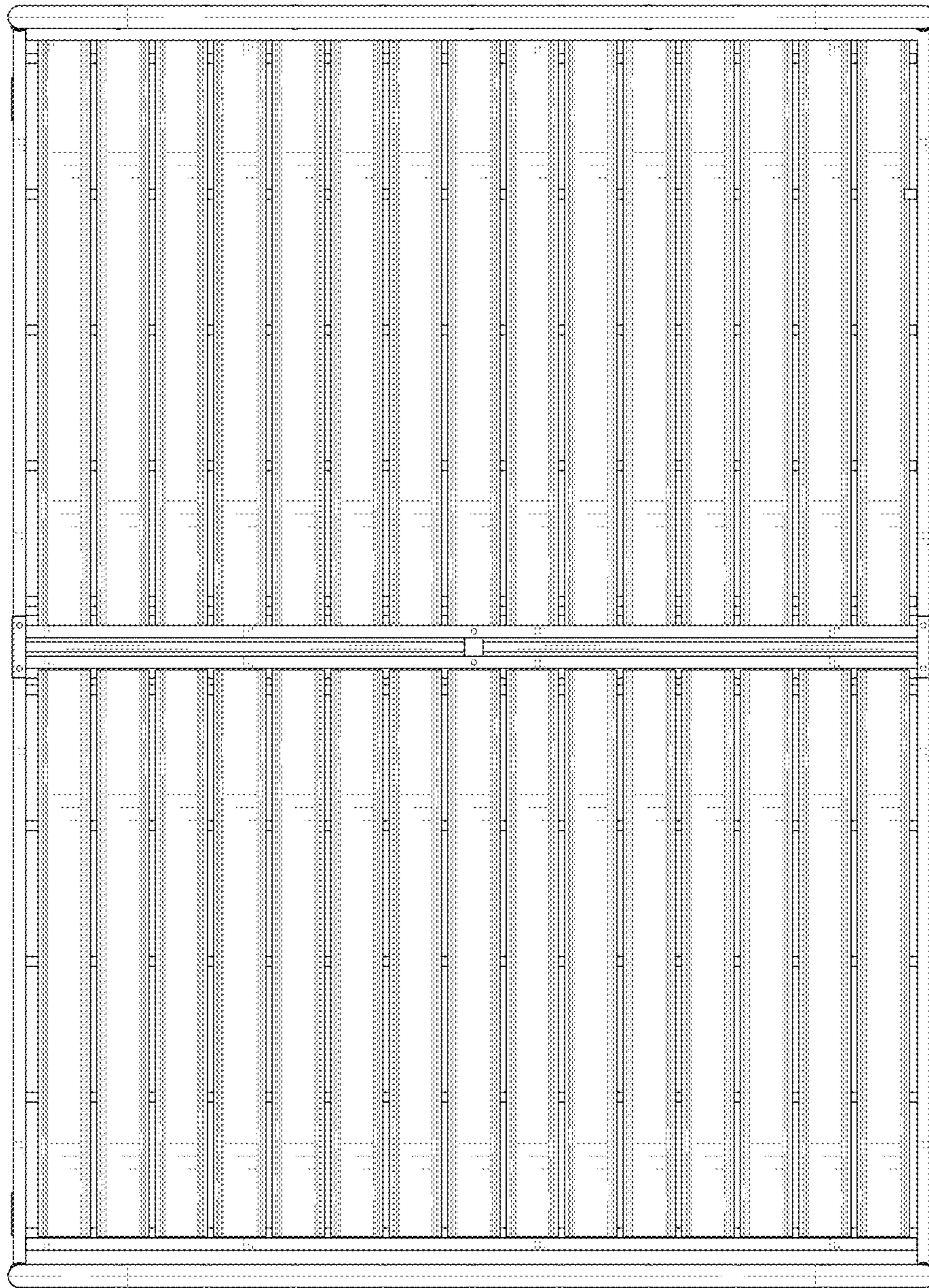


FIG. 7

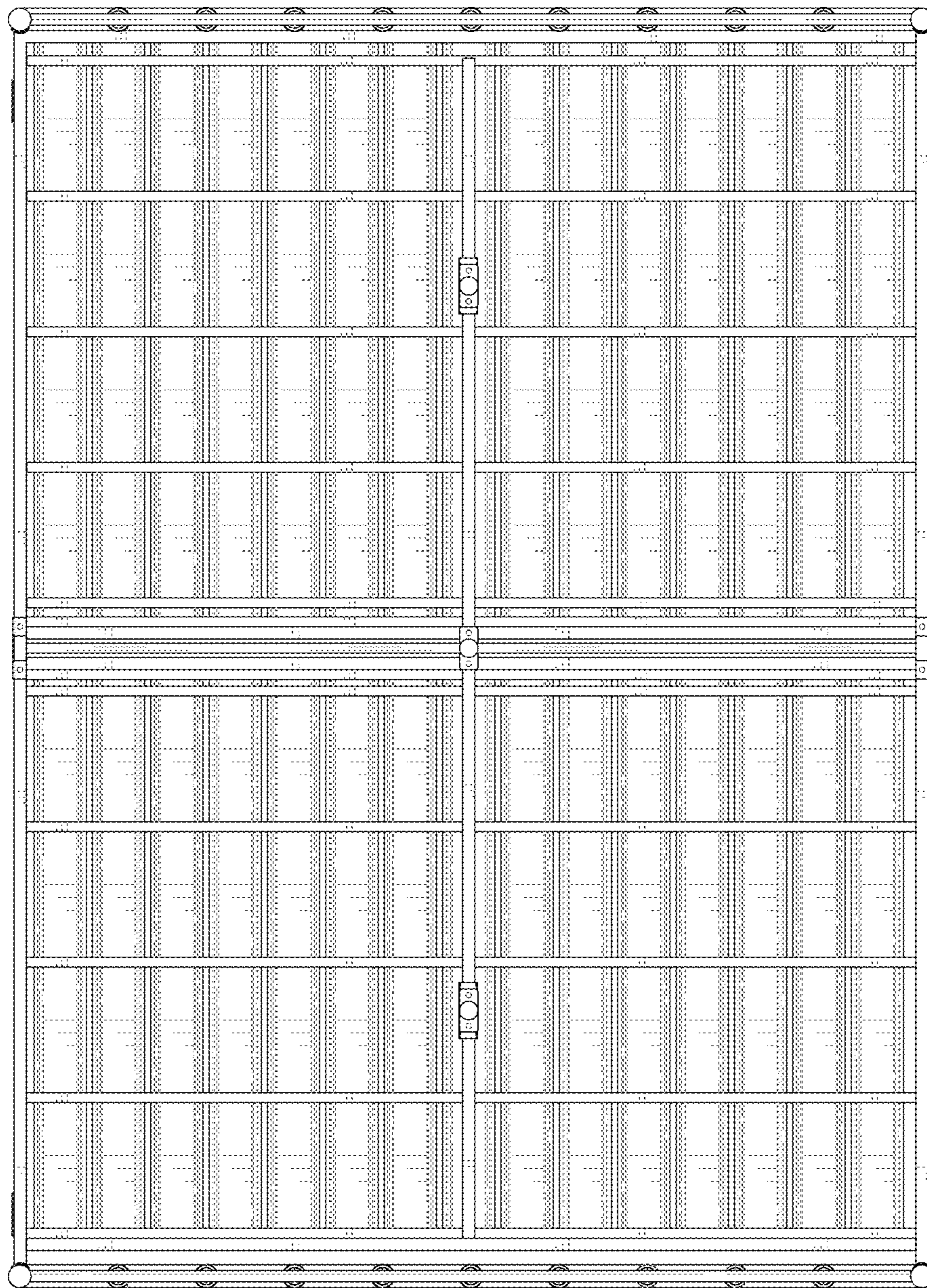


FIG. 8

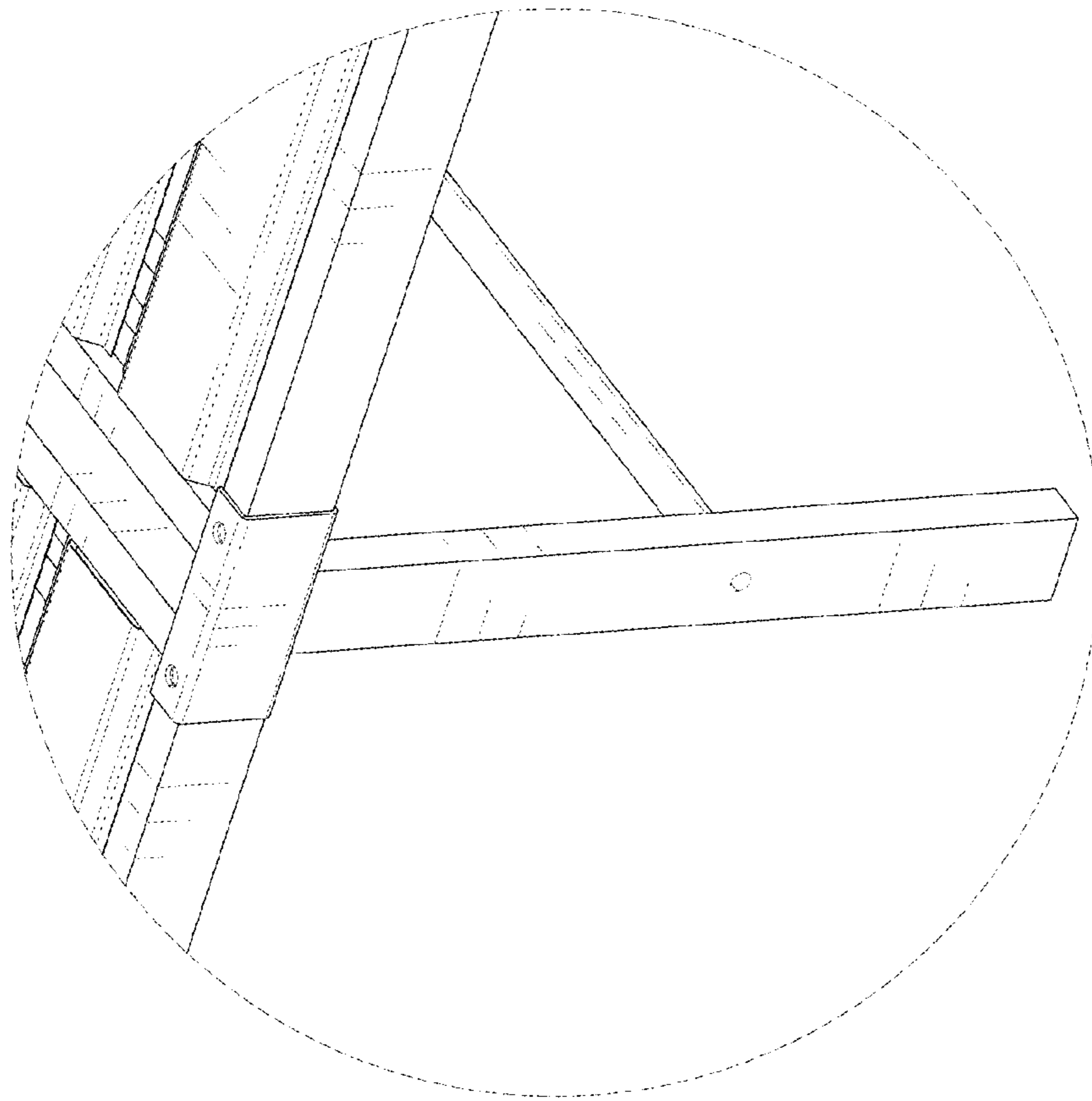


FIG. 10

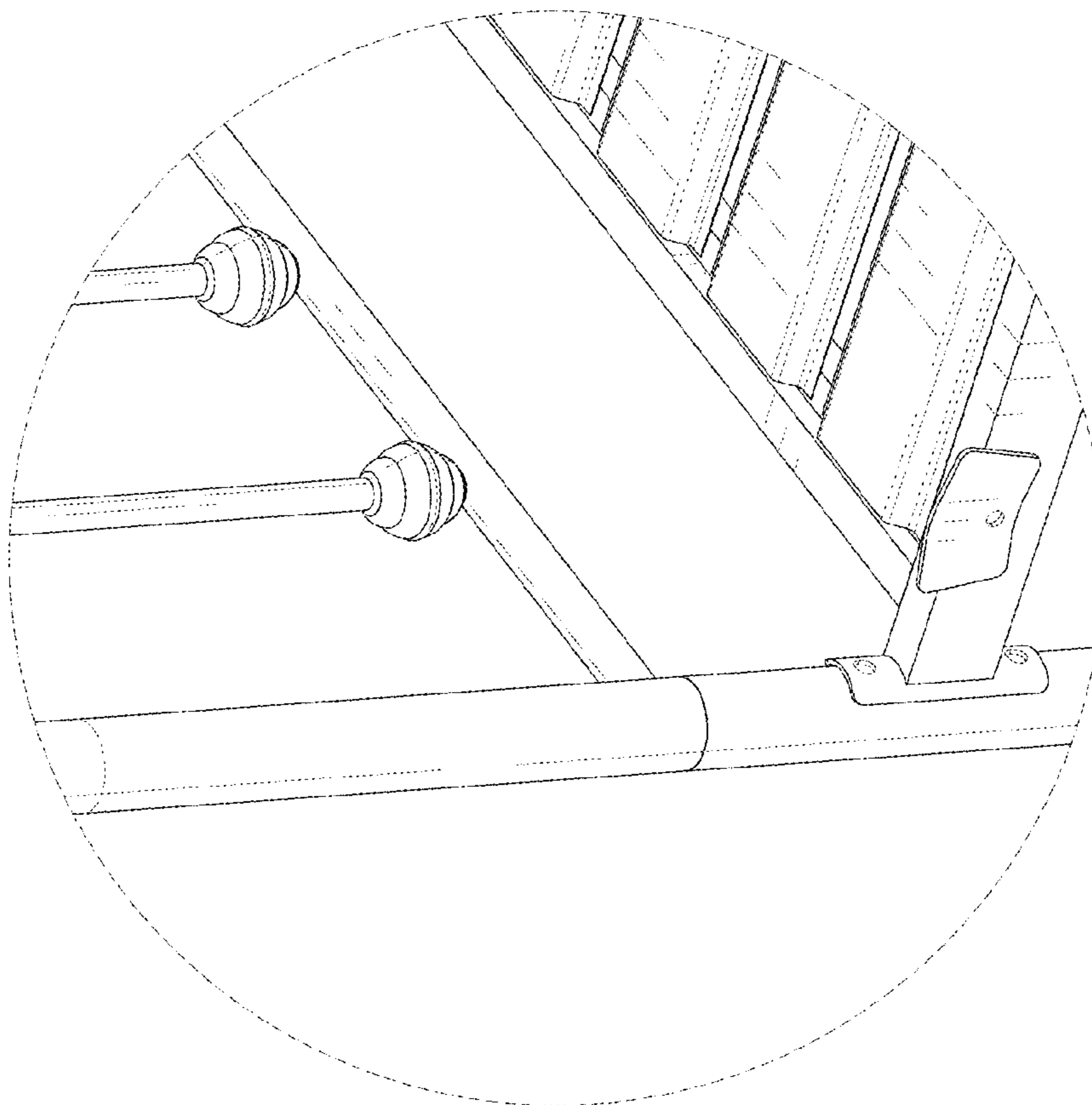


FIG. 9

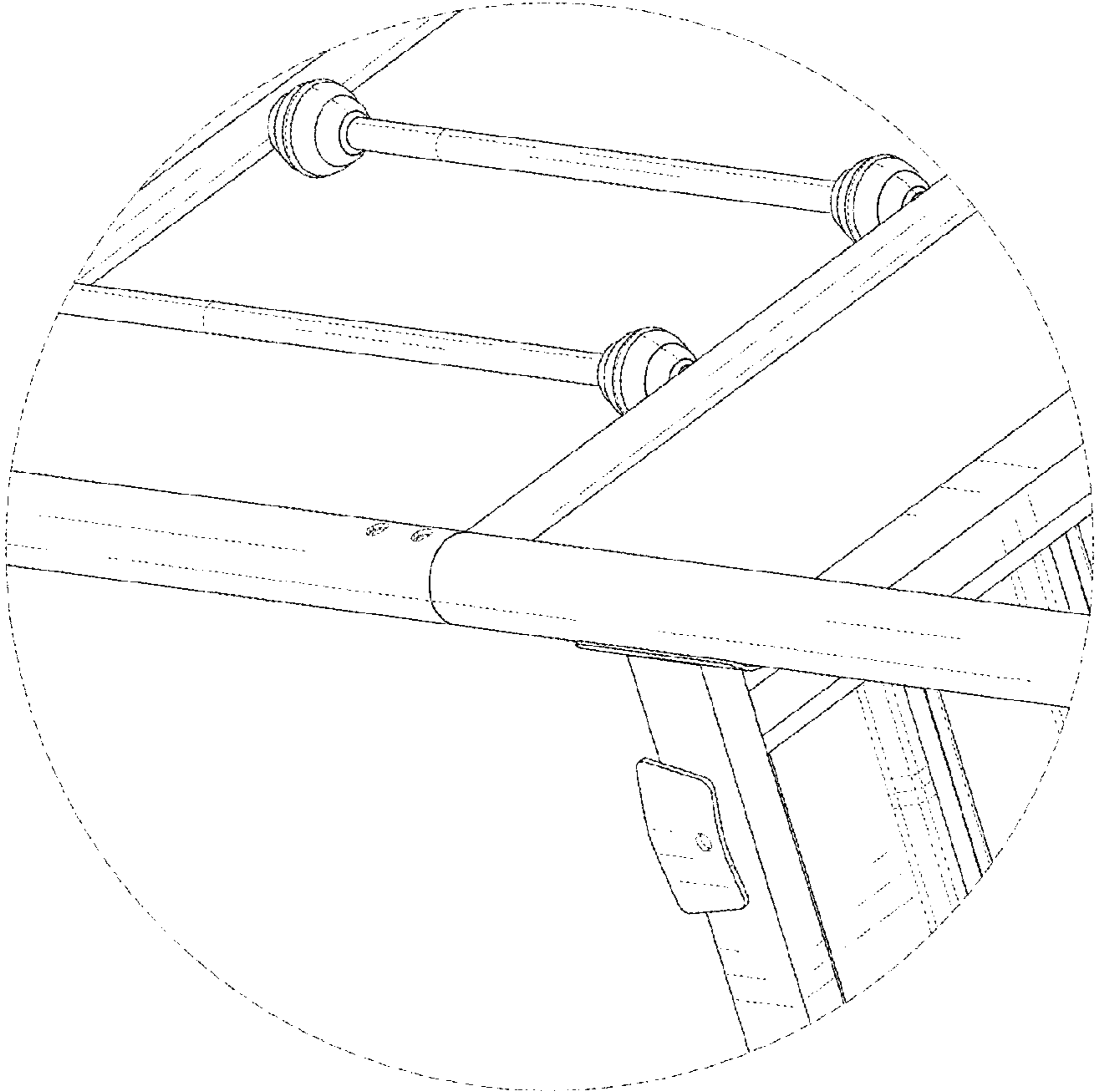


FIG. 11

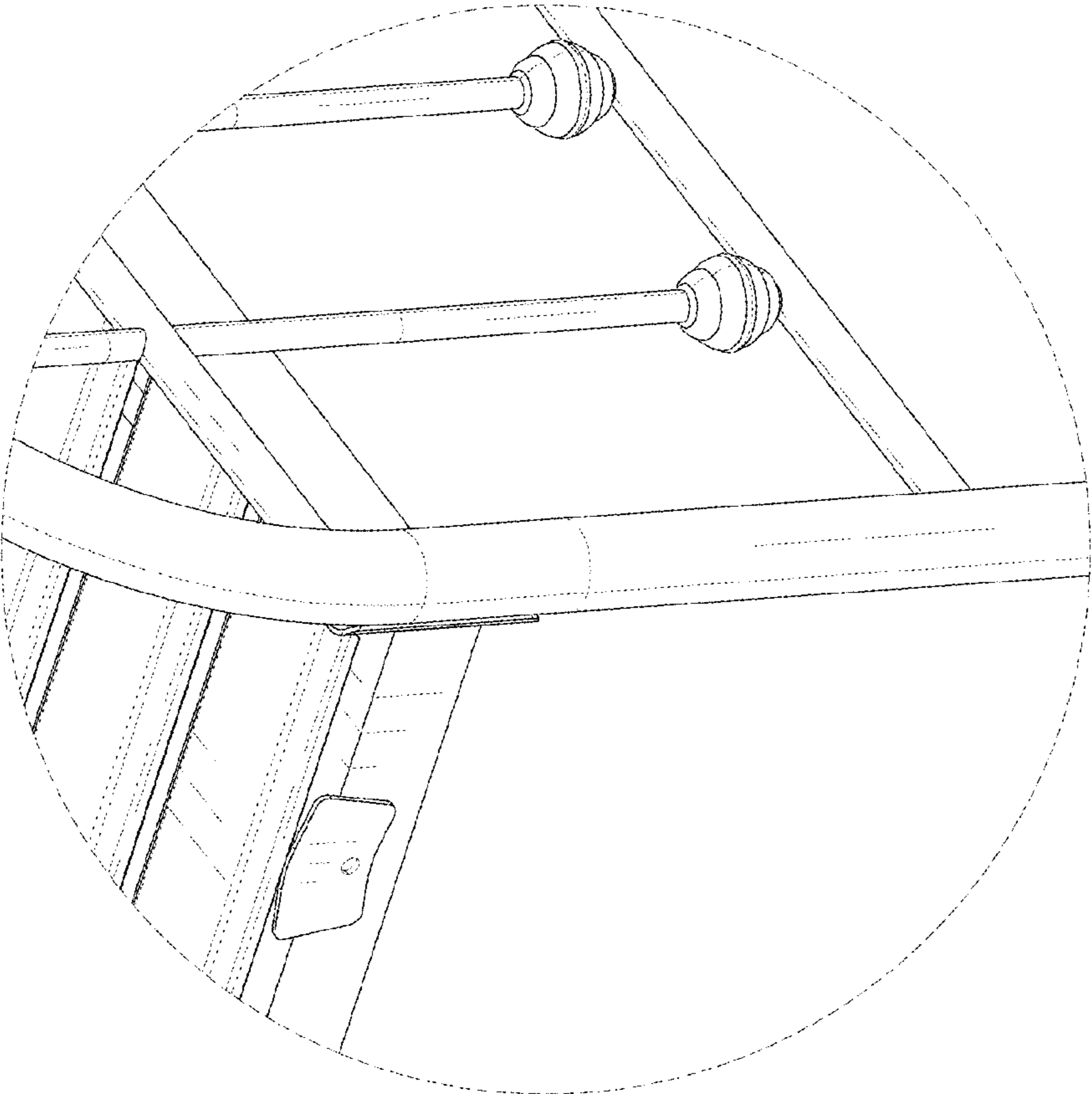


FIG. 12

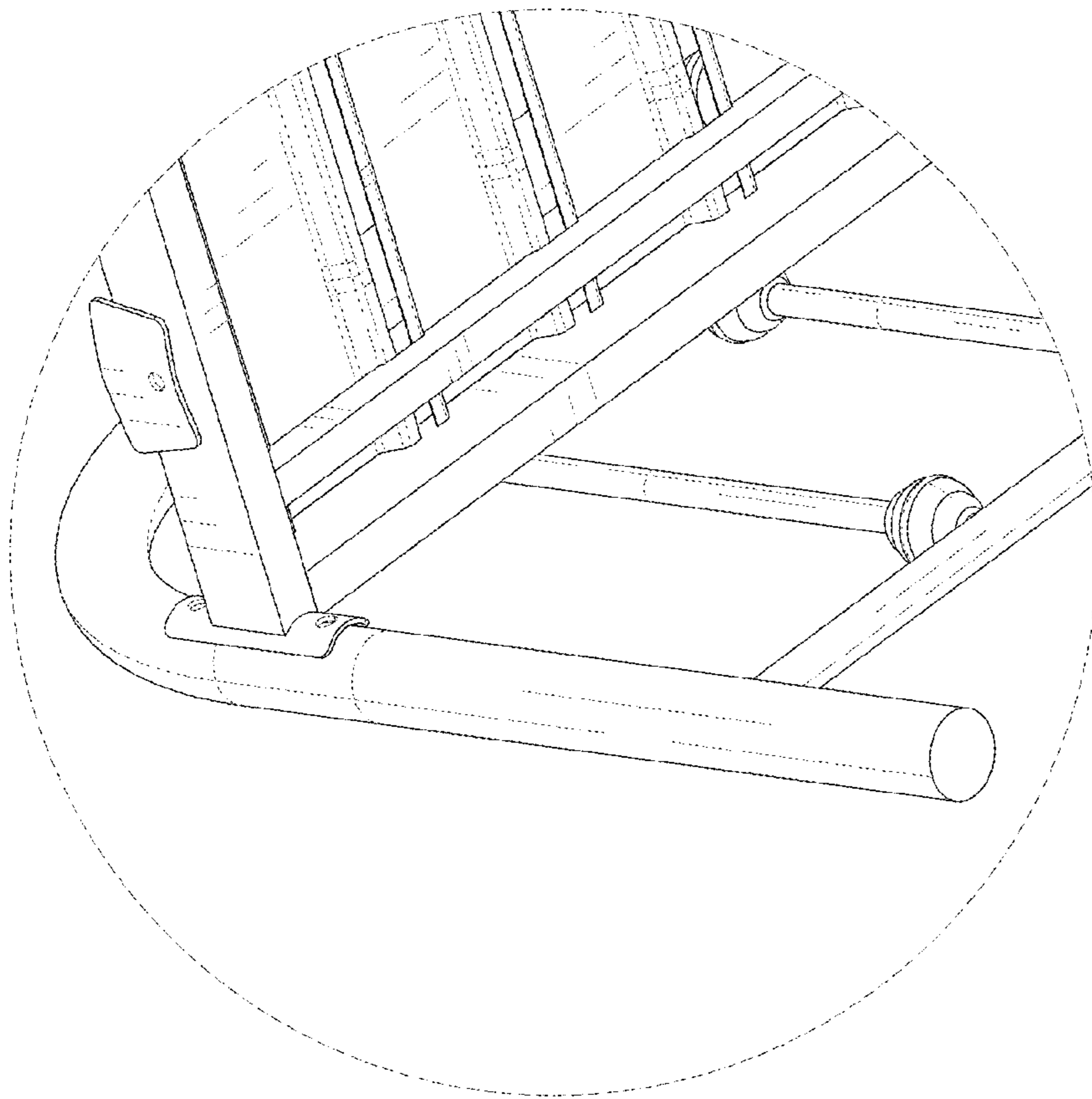


FIG. 13

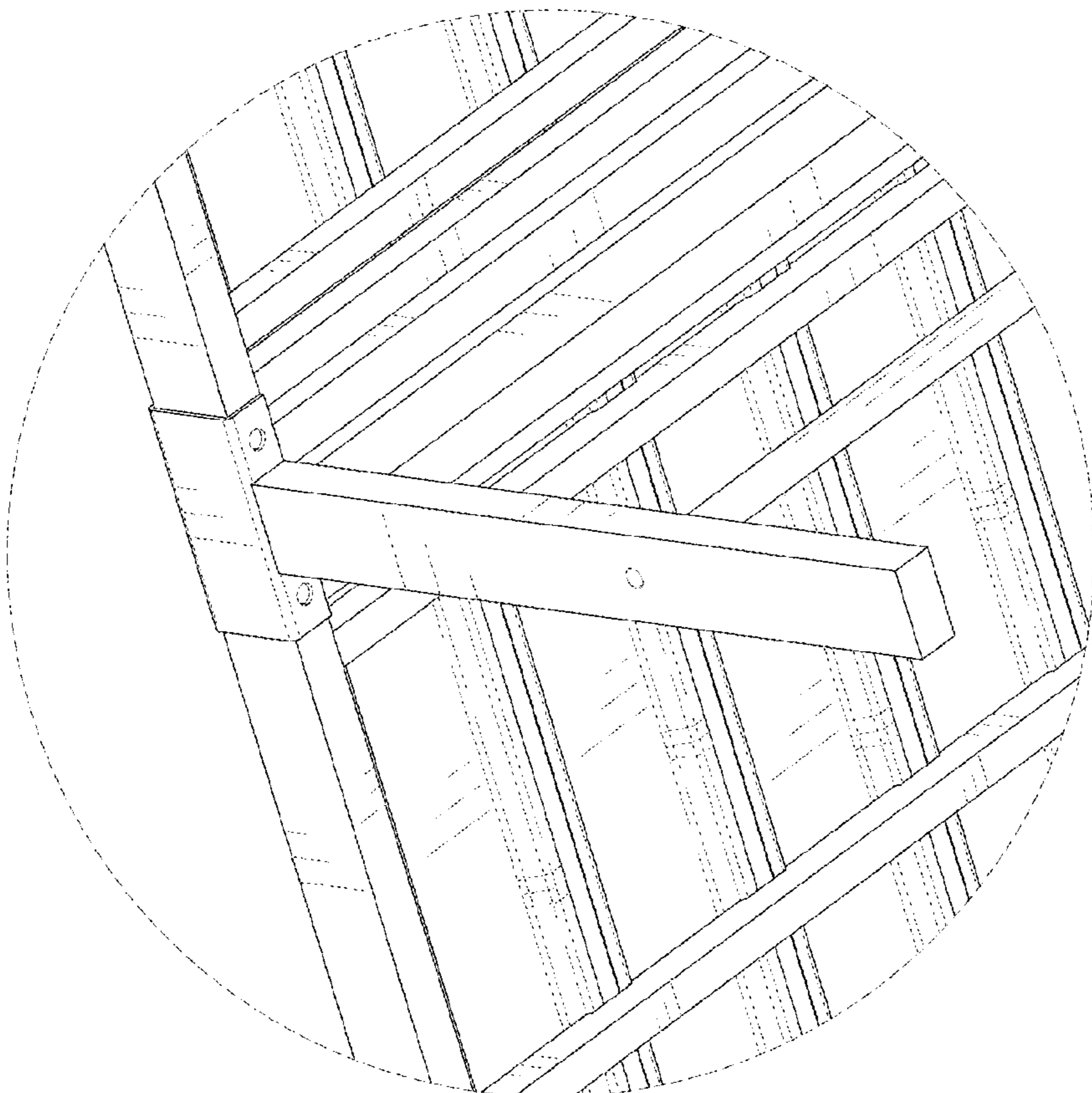


FIG. 14

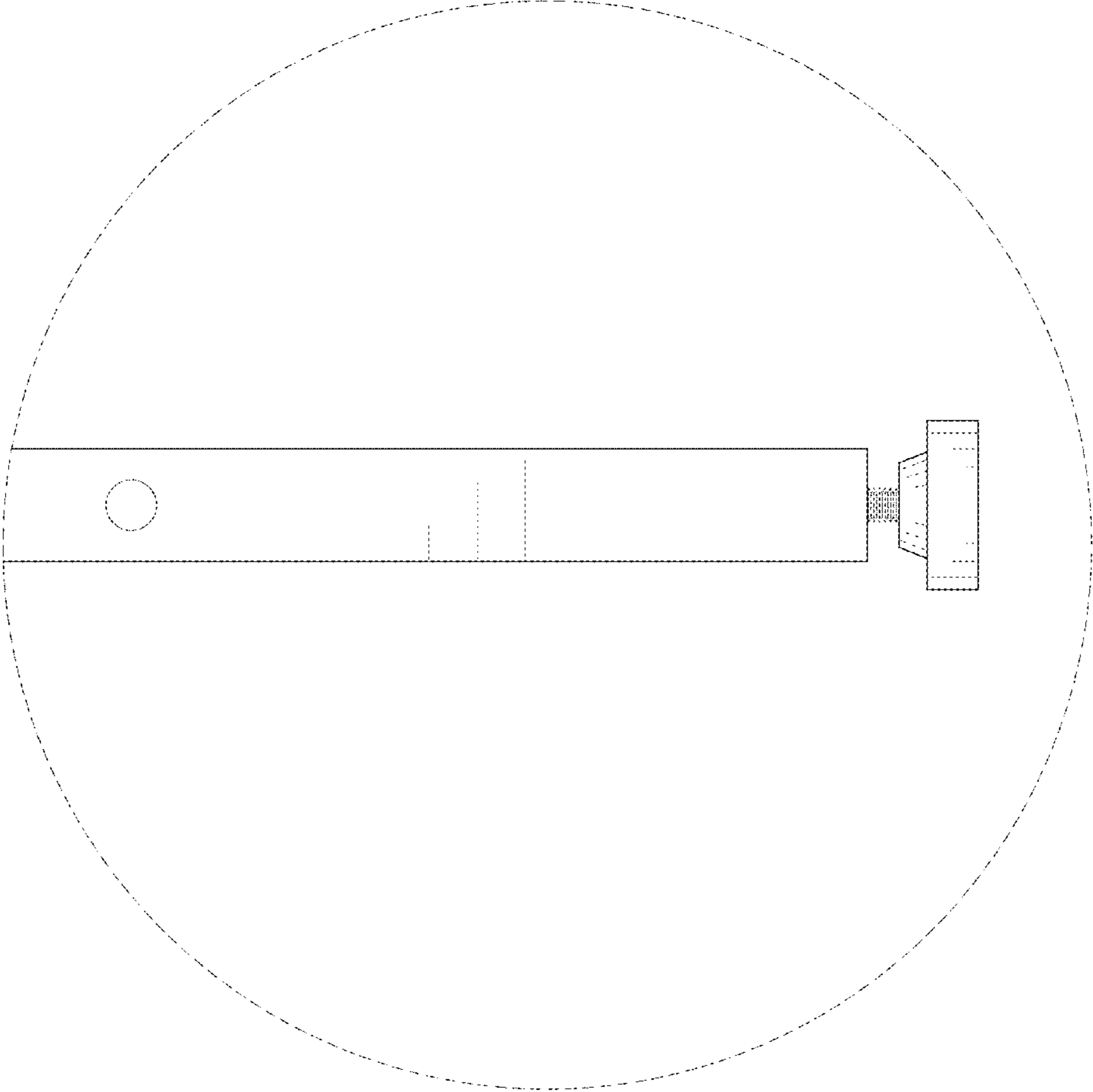


FIG. 15