



US00D968117S

(12) **United States Design Patent** (10) **Patent No.:** **US D968,117 S**
Kreps et al. (45) **Date of Patent:** **** Nov. 1, 2022**

(54) **BABY CHANGING DEVICE**

(71) Applicants: **Thomas Peter Kreps**, Madison, AL (US); **Lauren Heatherly Kreps**, Madison, AL (US)

(72) Inventors: **Thomas Peter Kreps**, Madison, AL (US); **Lauren Heatherly Kreps**, Madison, AL (US)

(**) Term: **15 Years**

(21) Appl. No.: **29/755,445**

(22) Filed: **Oct. 20, 2020**

(51) **LOC (13) Cl.** **06-02**

(52) **U.S. Cl.**
USPC **D6/391**

(58) **Field of Classification Search**
USPC D6/390–392, 555, 567, 574, 331, 333,
D6/336, 349, 353, 368, 691, 691.6,
D6/708.16, 718

(Continued)

(56) **References Cited**

U.S. PATENT DOCUMENTS

D523,655 S * 6/2006 Giampavolo D6/391
D523,656 S * 6/2006 Giampavolo D6/391
(Continued)

Primary Examiner — Abraham Bahta

(74) *Attorney, Agent, or Firm* — Ryan J. Letson; Andrew Tuggle; Bradley Arant Boult Cummings LLP

(57) **CLAIM**

The ornamental design for a baby changing device, substantially as shown and described.

DESCRIPTION

FIG. 1 is a front-top perspective view of a baby changing device.

FIG. 2 is a rear-top perspective view of the baby changing device .

FIG. 3 is a front-bottom perspective view of the baby changing device of FIG. 1, showing a pivoting member of the device in a recessed position for purposes of illustration.

FIG. 4 is a rear-bottom perspective view of the baby changing of FIG. 1, showing the pivoting member in the recessed position for purposes of illustration.

FIG. 5 is a front view of the baby changing device of FIG. 1.

FIG. 6 is a rear view of the baby changing device of FIG. 1.

FIG. 7 is a side view of the baby changing device of FIG. 1.

FIG. 8 is a top view of the baby changing device of FIG. 1.

FIG. 9 is a bottom view of the baby changing device of FIG. 1, showing the pivoting member in the recessed position for purposes of illustration.

FIG. 10 is a front-top perspective view of the baby changing device of FIG. 1, showing the pivoting member extended for purposes of illustration.

FIG. 11 is a rear-top perspective view of the baby changing device of FIG. 1, showing the pivoting member extended for purposes of illustration.

FIG. 12 is a front-bottom perspective view of the baby changing device of FIG. 1, showing the pivoting member extended for purposes of illustration.

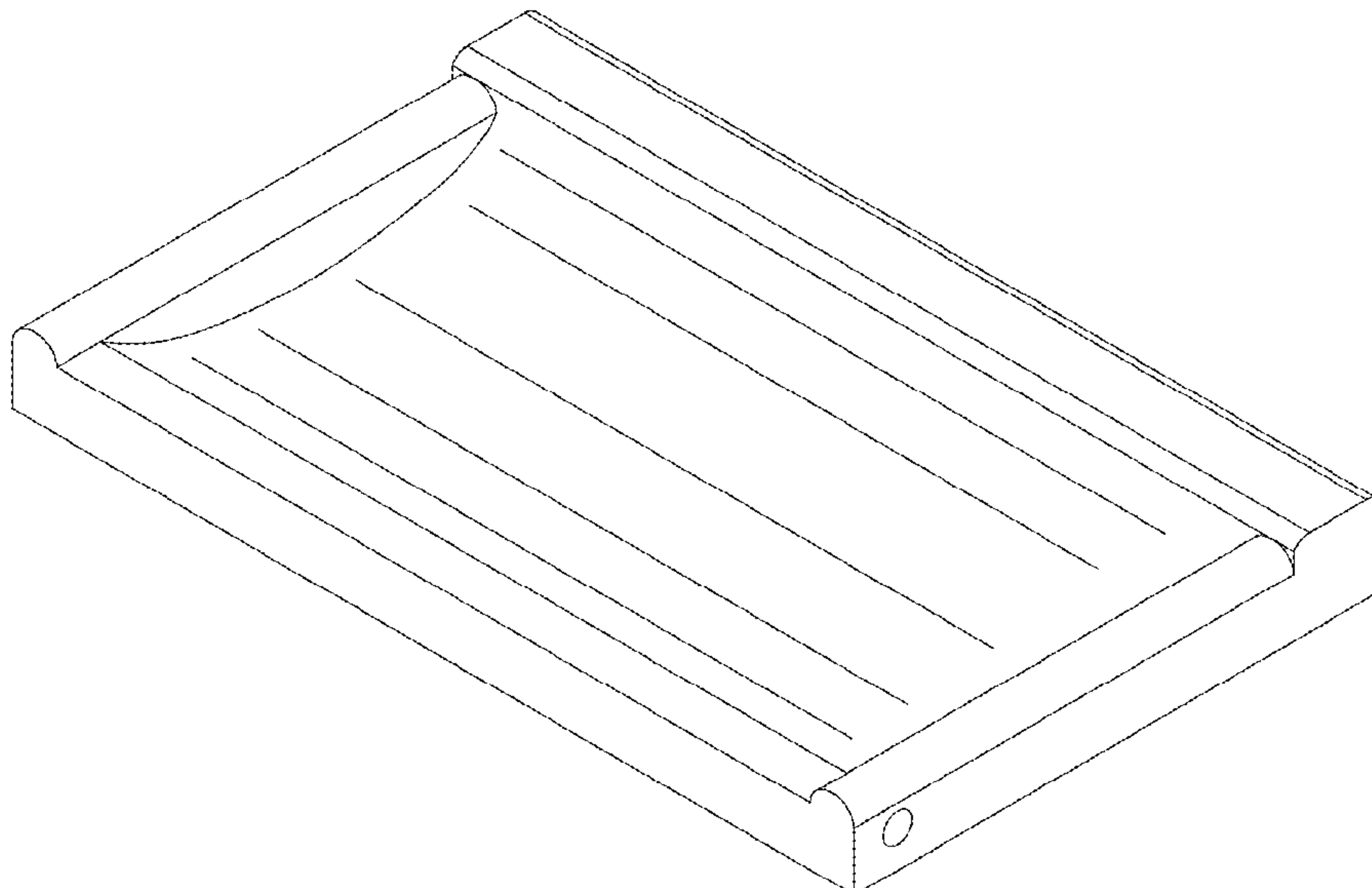
FIG. 13 is a rear-bottom perspective view of the baby changing device of FIG. 1, showing the pivoting member extended for purposes of illustration.

FIG. 14 is a front view of the baby changing device of FIG. 1, showing the pivoting member extended for purposes of illustration.

FIG. 15 is a rear view of the baby changing device of FIG. 1, showing the pivoting member extended for purposes of illustration; and,

FIG. 16 is a side view of the baby changing device of FIG. 1, showing the pivoting member extended for purposes of illustration.

1 Claim, 7 Drawing Sheets



(58) **Field of Classification Search**

CPC A47D 5/00; A47D 5/003; A47D 5/006;
A47D 9/005; A47D 13/063; A47D
15/008; A47B 2003/025; A47B 2003/045;
A47B 4/02; A47B 13/16; A47B 37/04;
A47C 9/10; A47C 4/283

See application file for complete search history.

(56) **References Cited**

U.S. PATENT DOCUMENTS

D624,329	S	*	9/2010	Presnell	D6/391
D624,724	S	*	9/2010	Uhl	D34/17
D842,000	S	*	3/2019	Benedito Graells	D6/391
D923,352	S	*	6/2021	Gong	D6/391

* cited by examiner

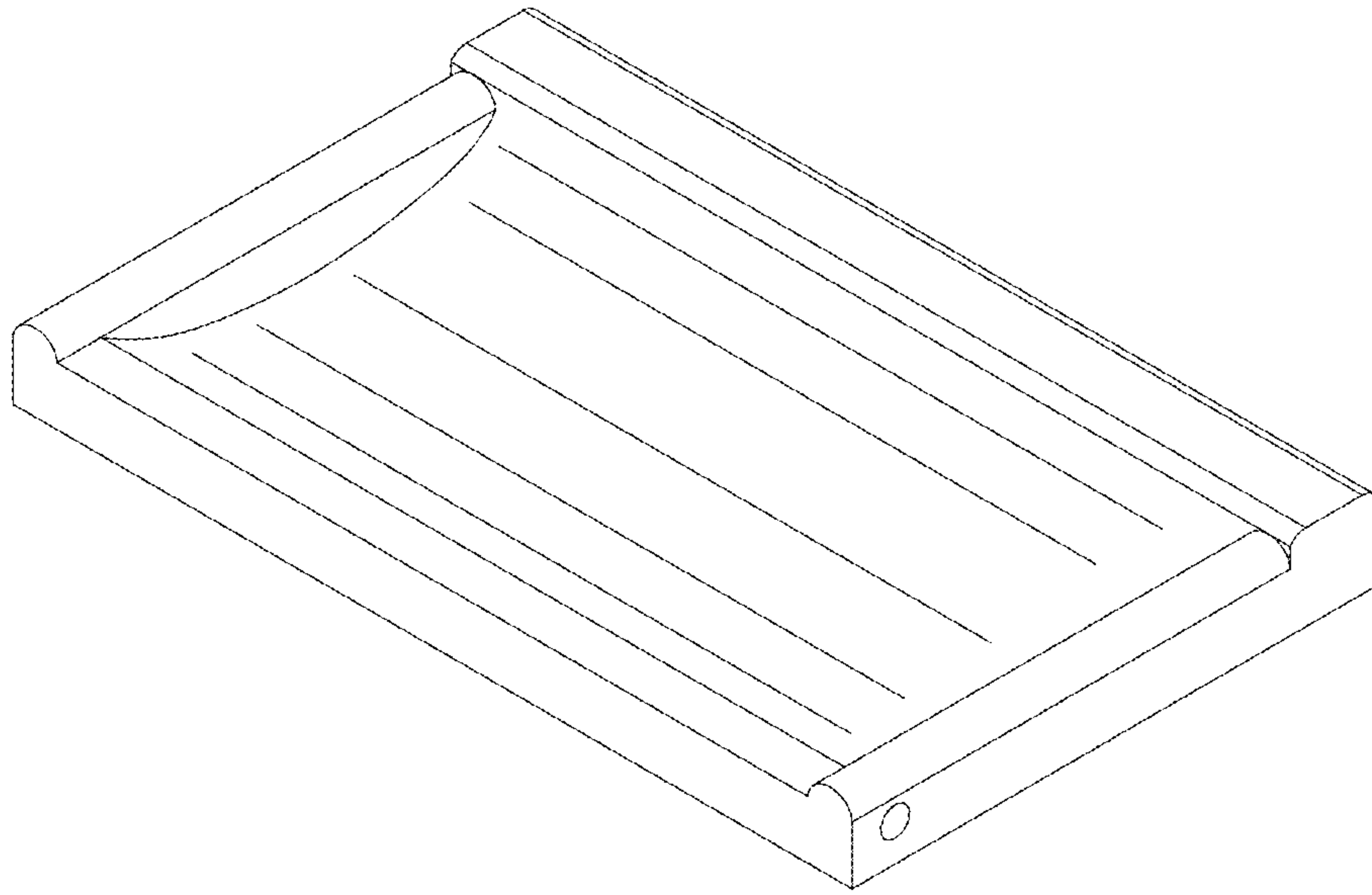


FIG. 1

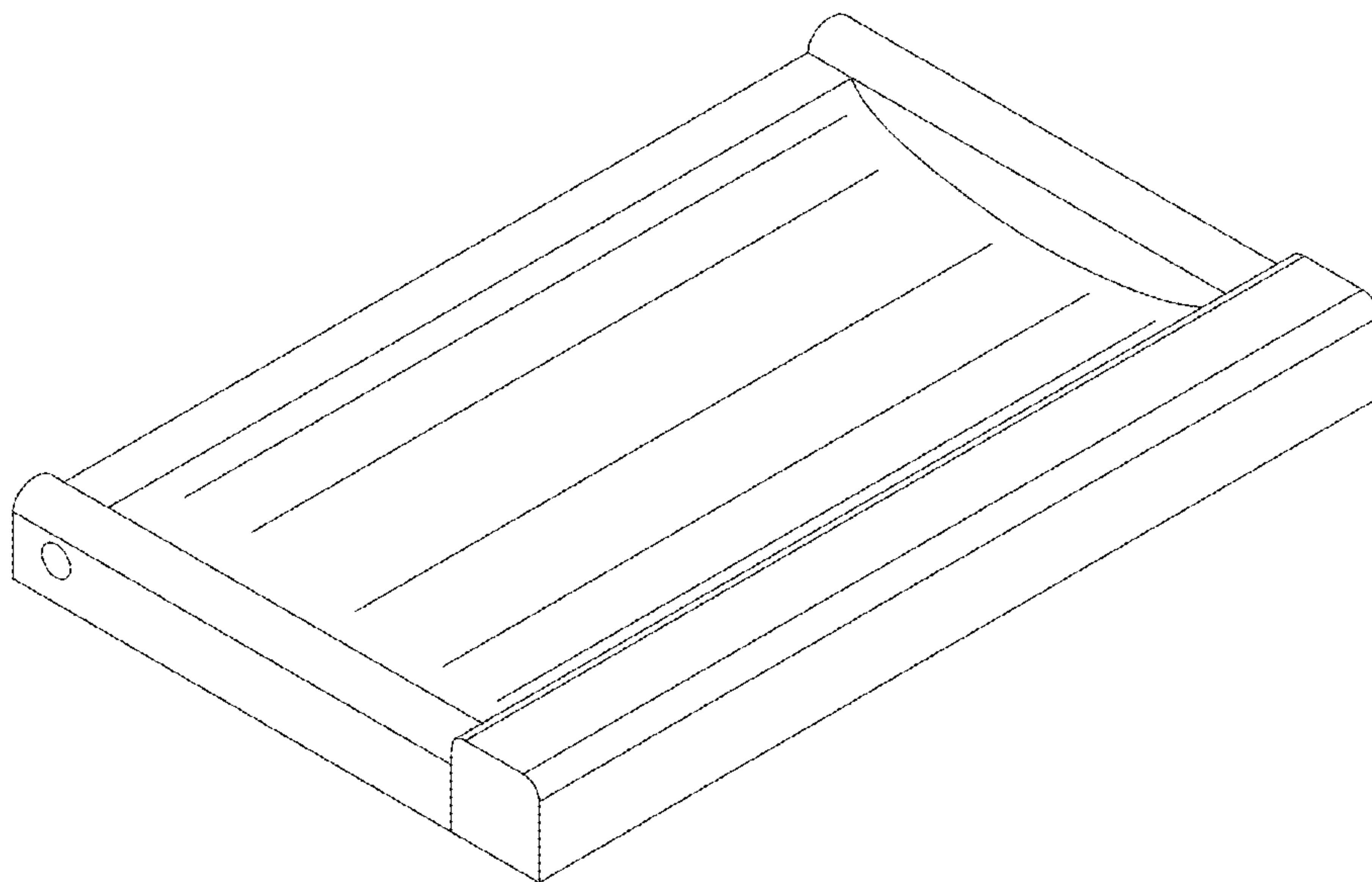


FIG. 2

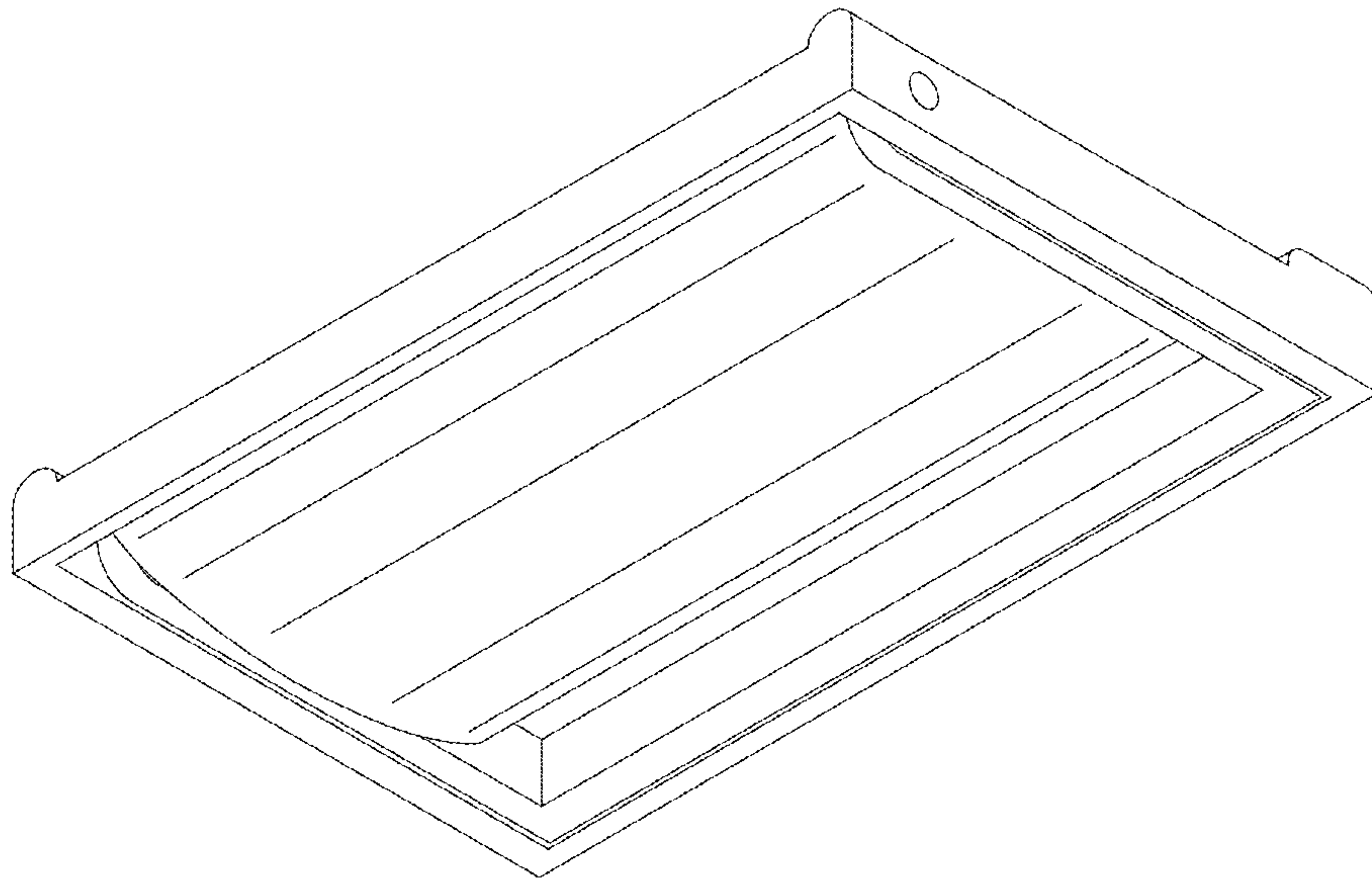


FIG. 3

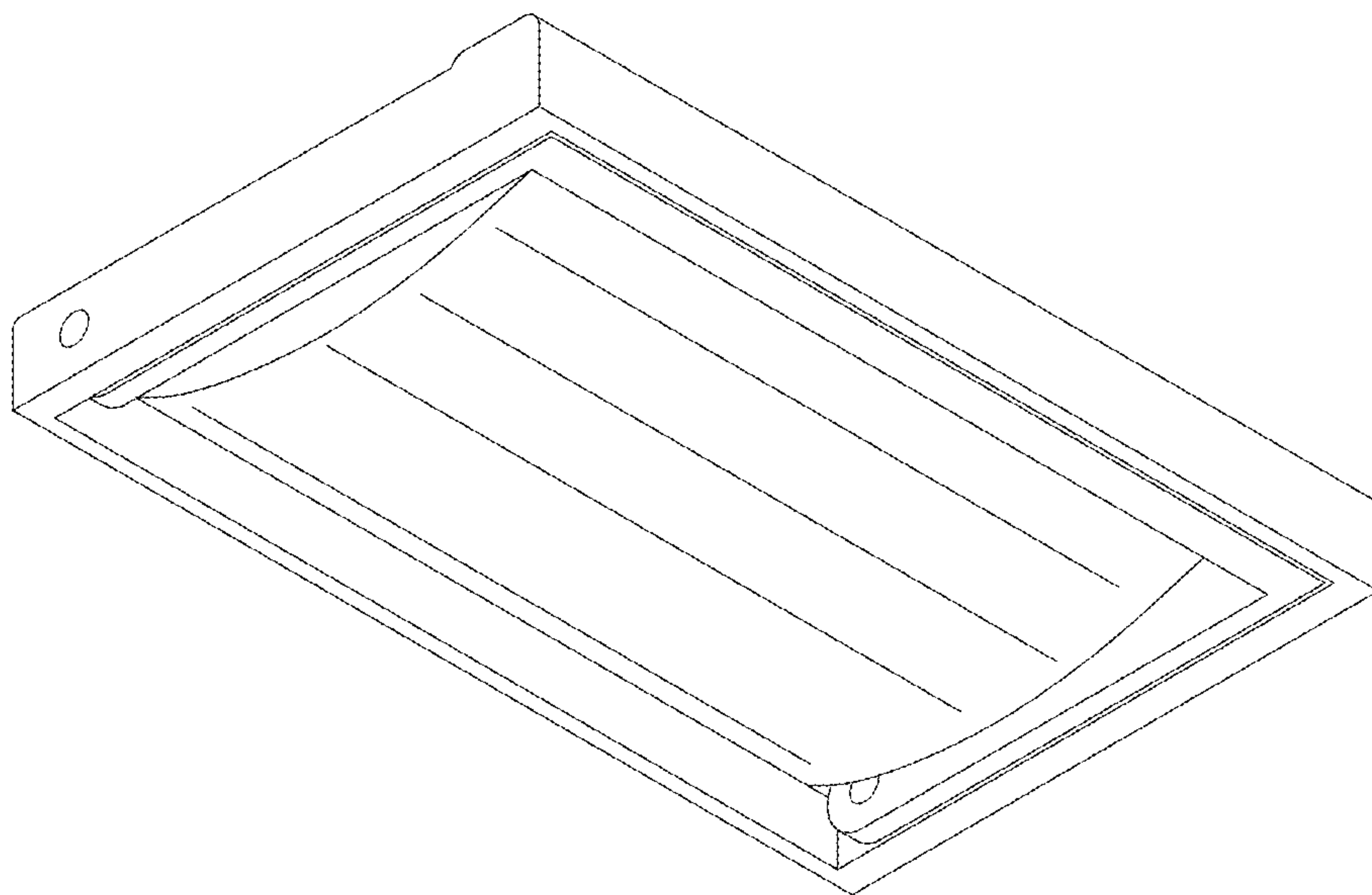


FIG. 4



FIG. 5



FIG. 6

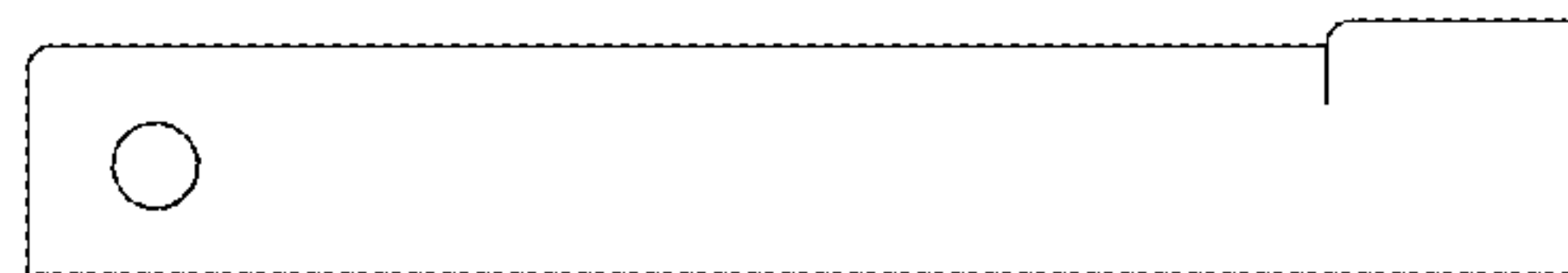


FIG. 7

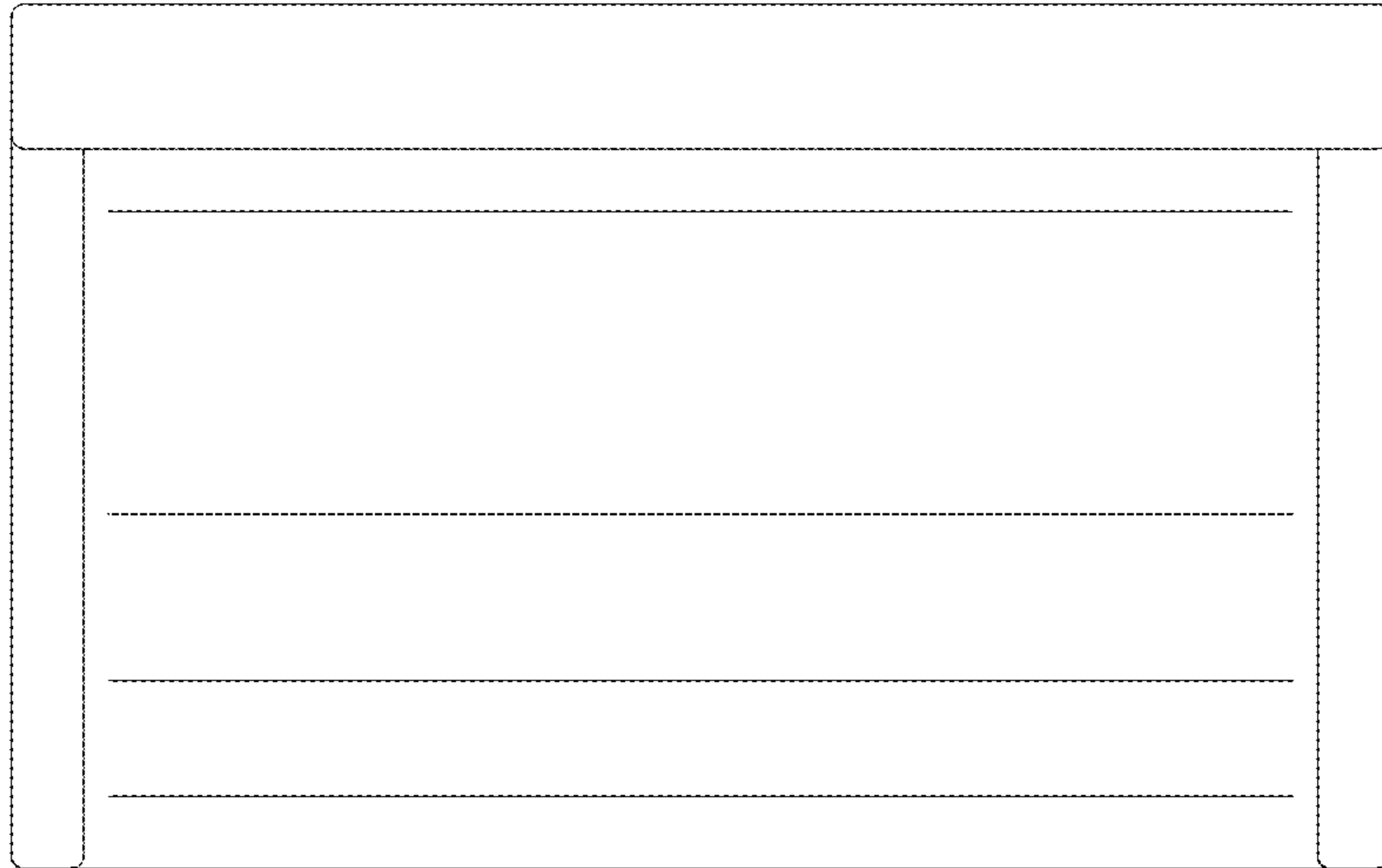


FIG. 8

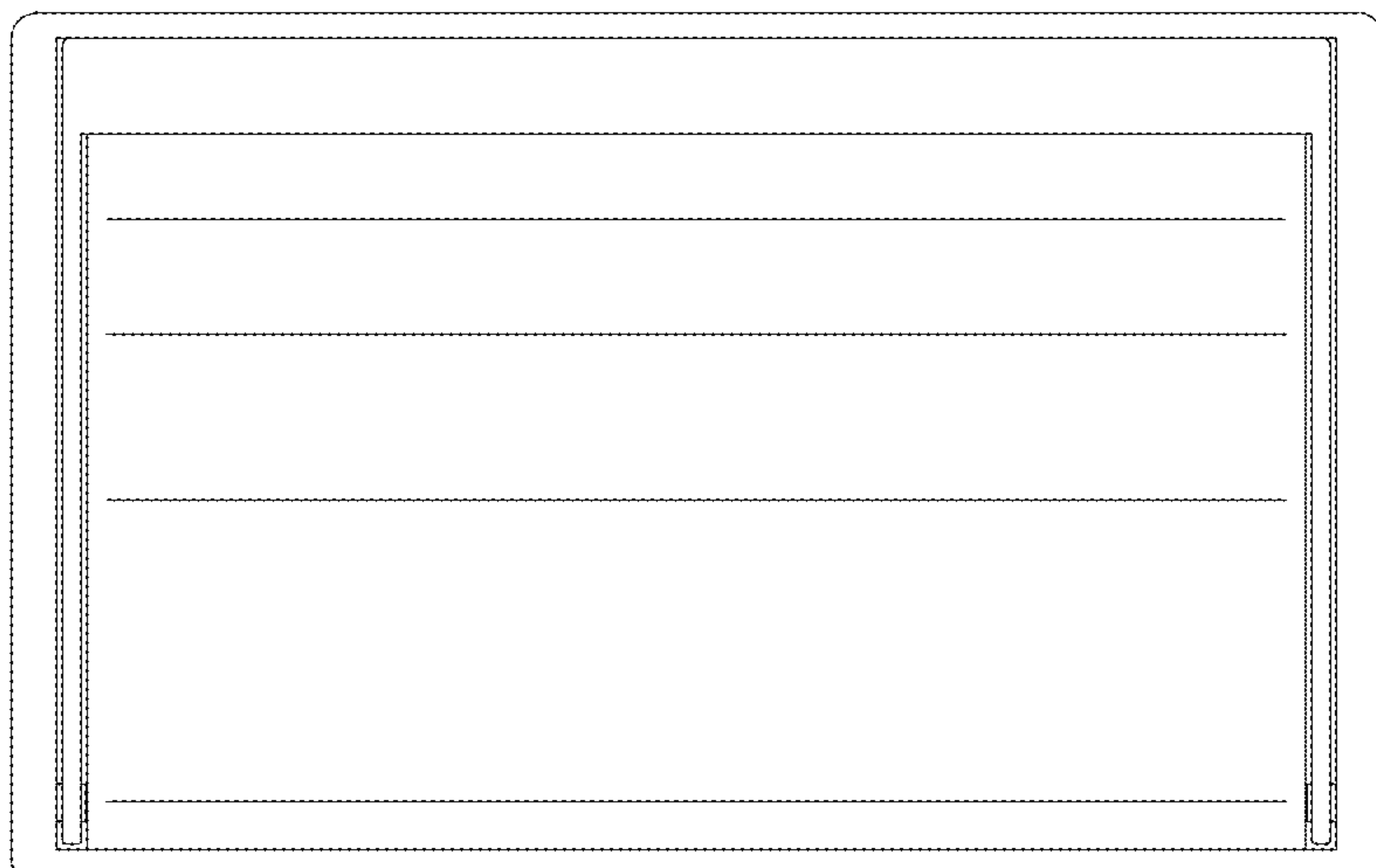


FIG. 9

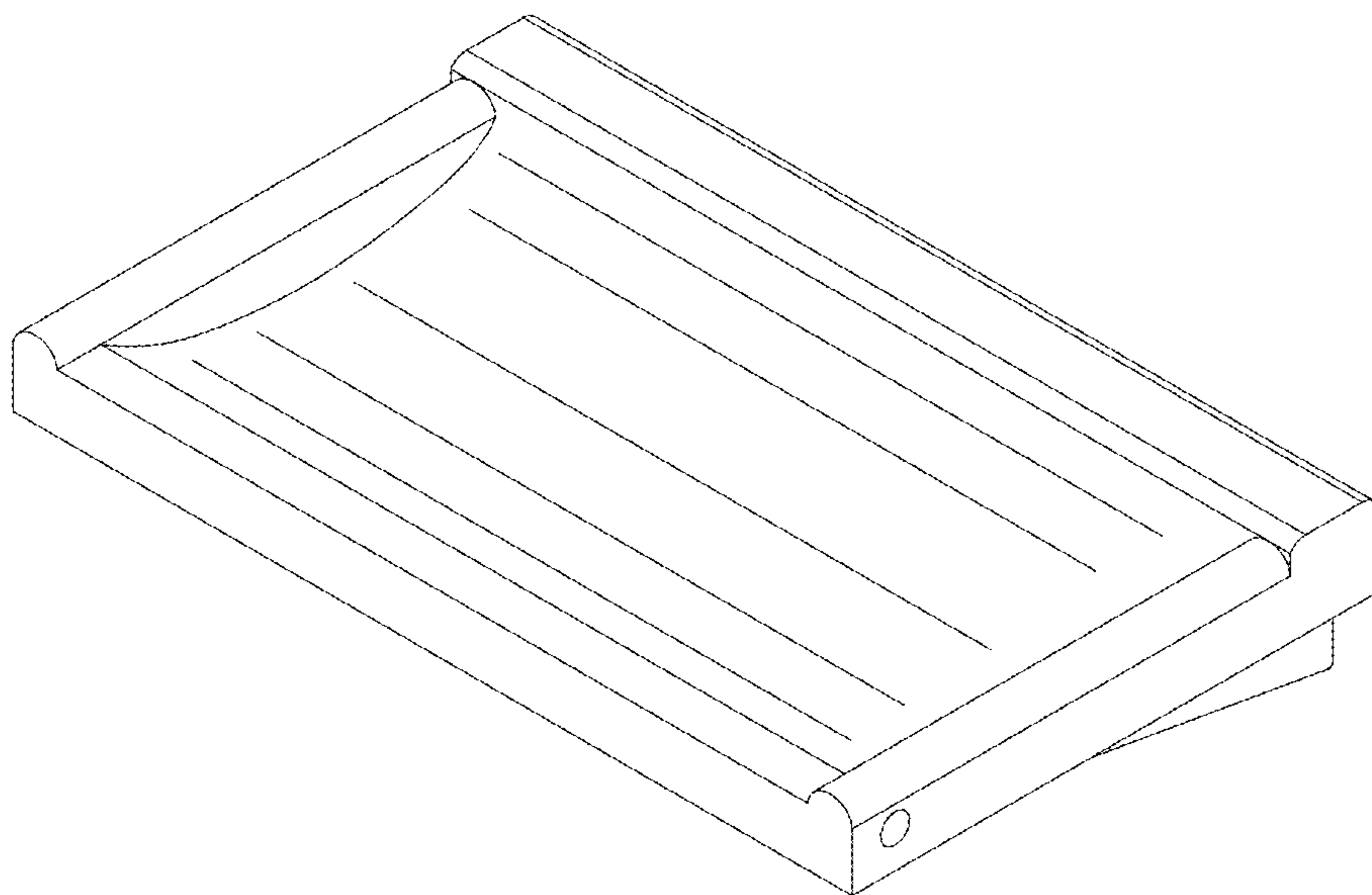


FIG. 10

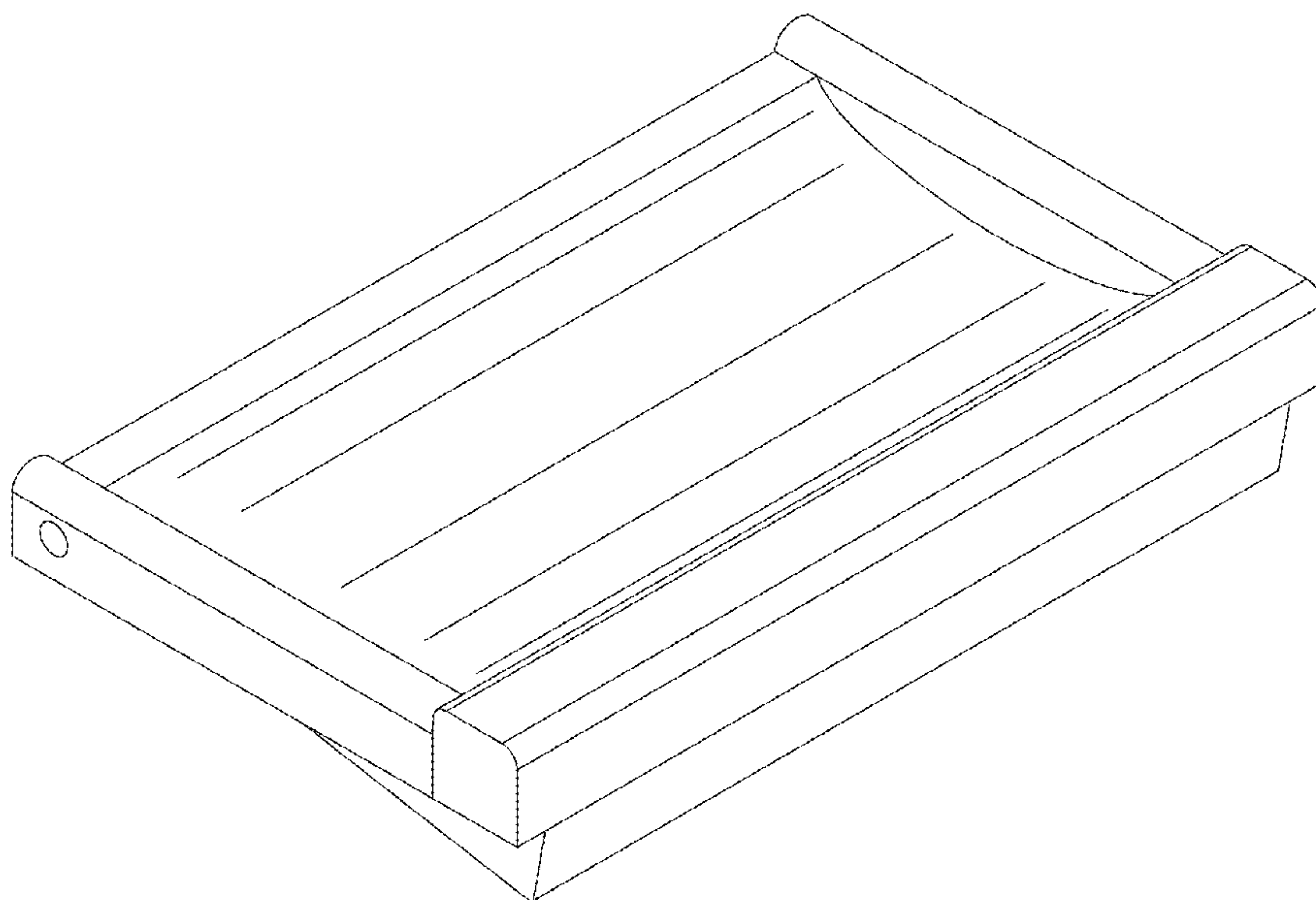


FIG. 11

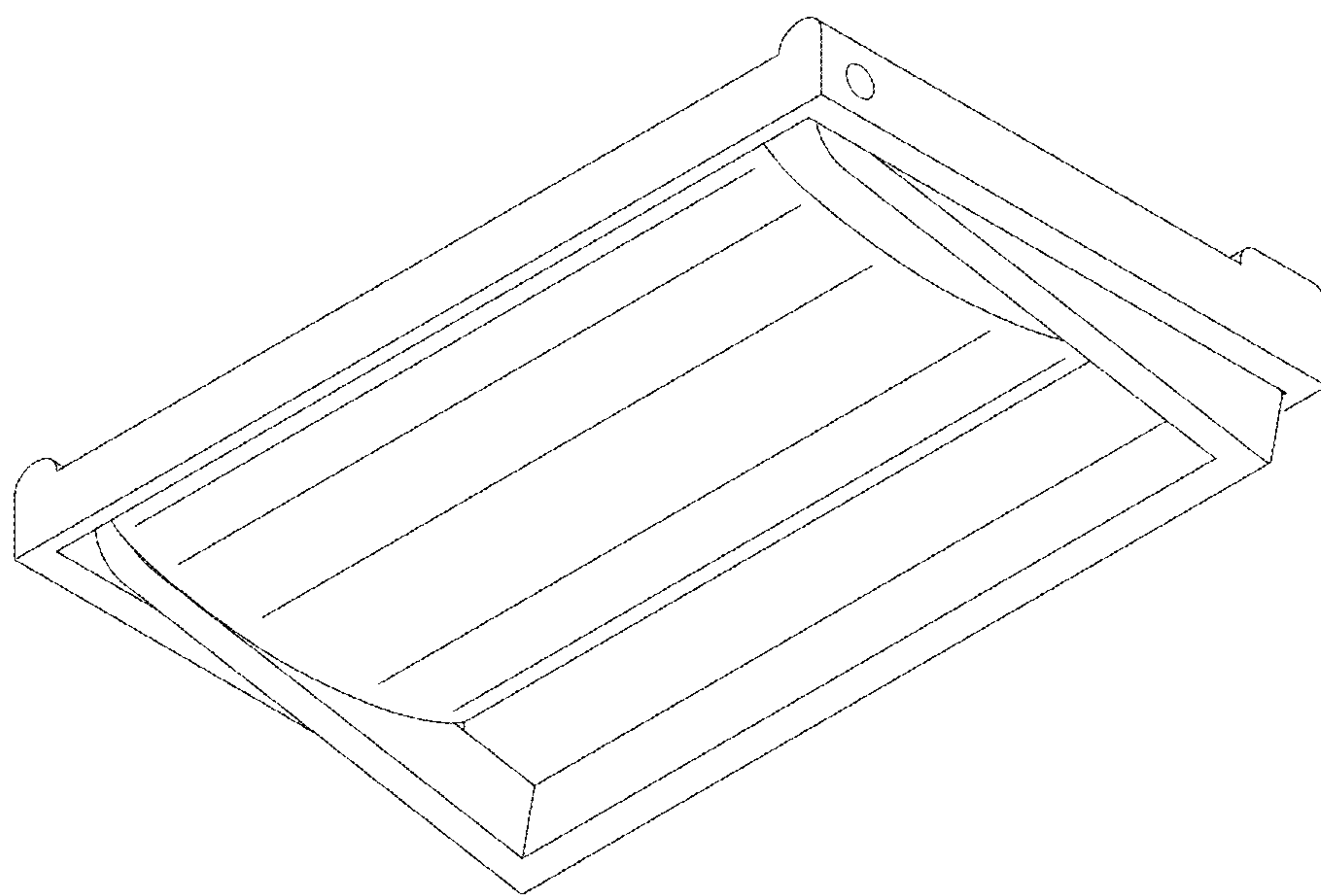


FIG. 12

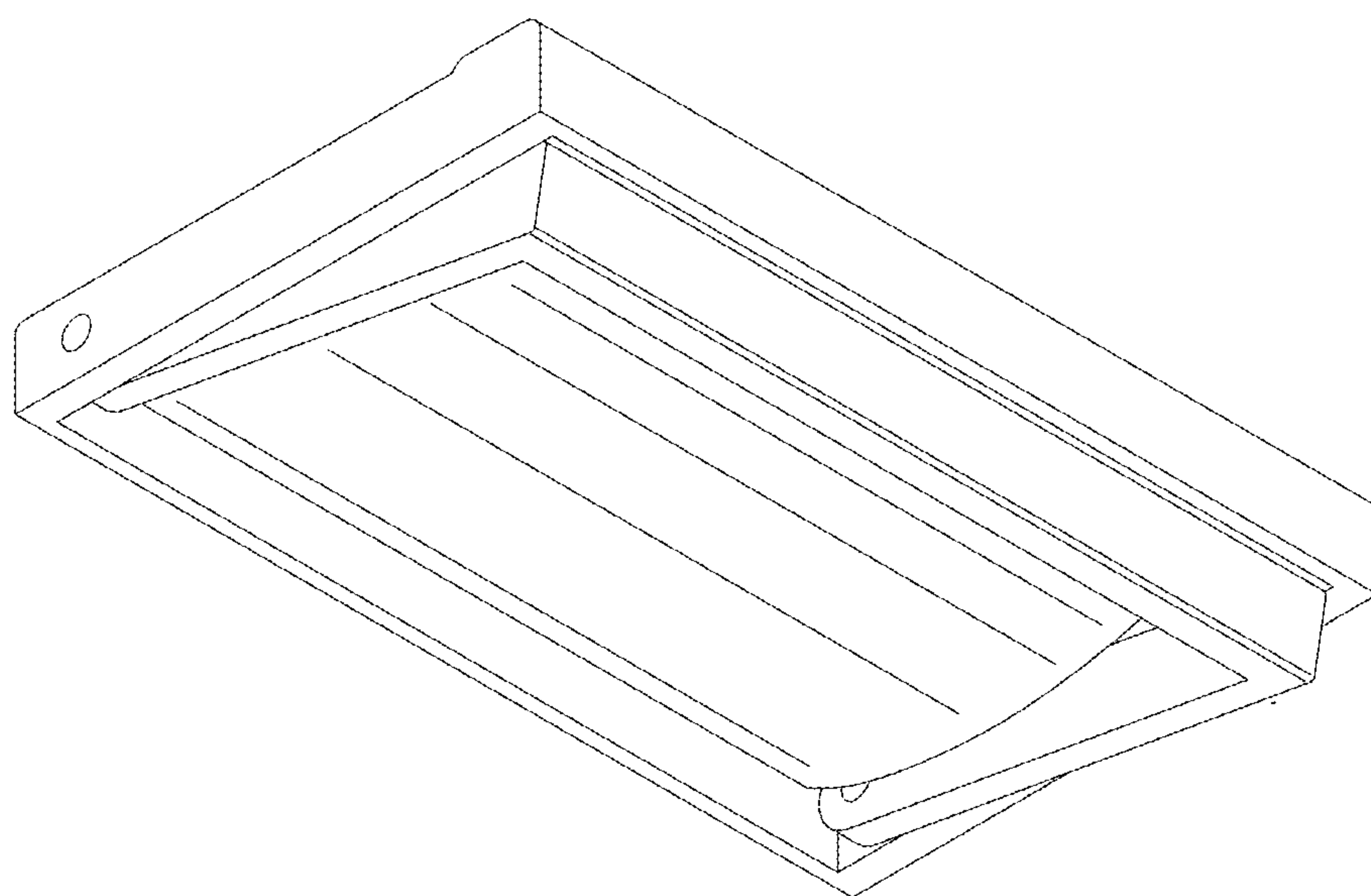


FIG. 13

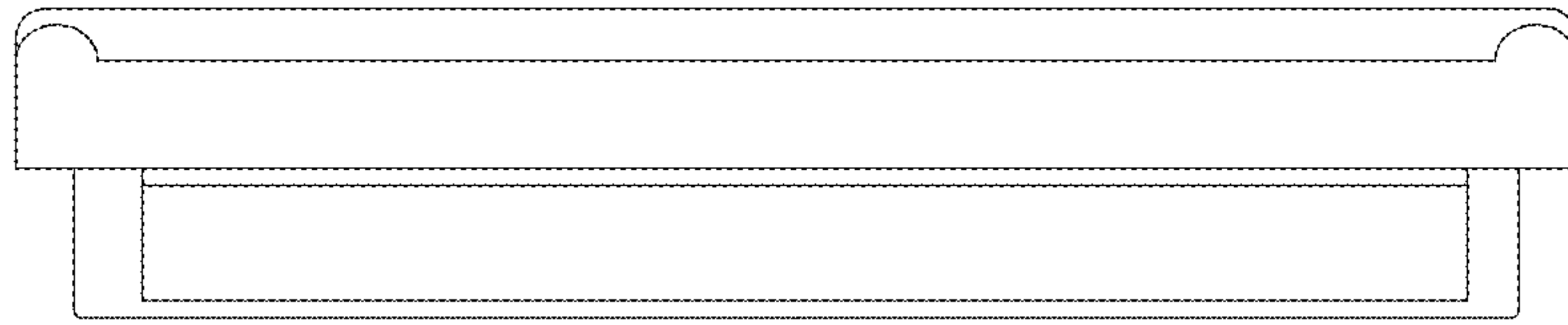


FIG. 14

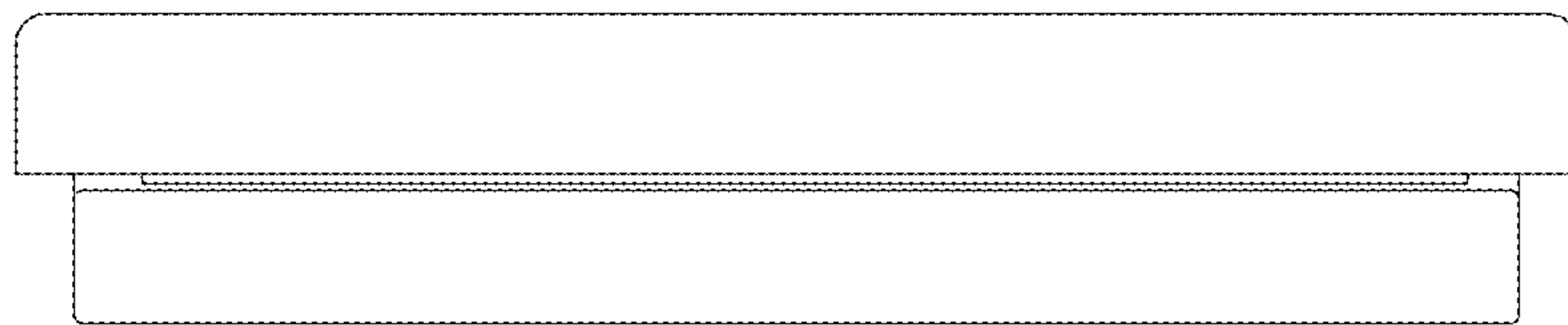


FIG. 15

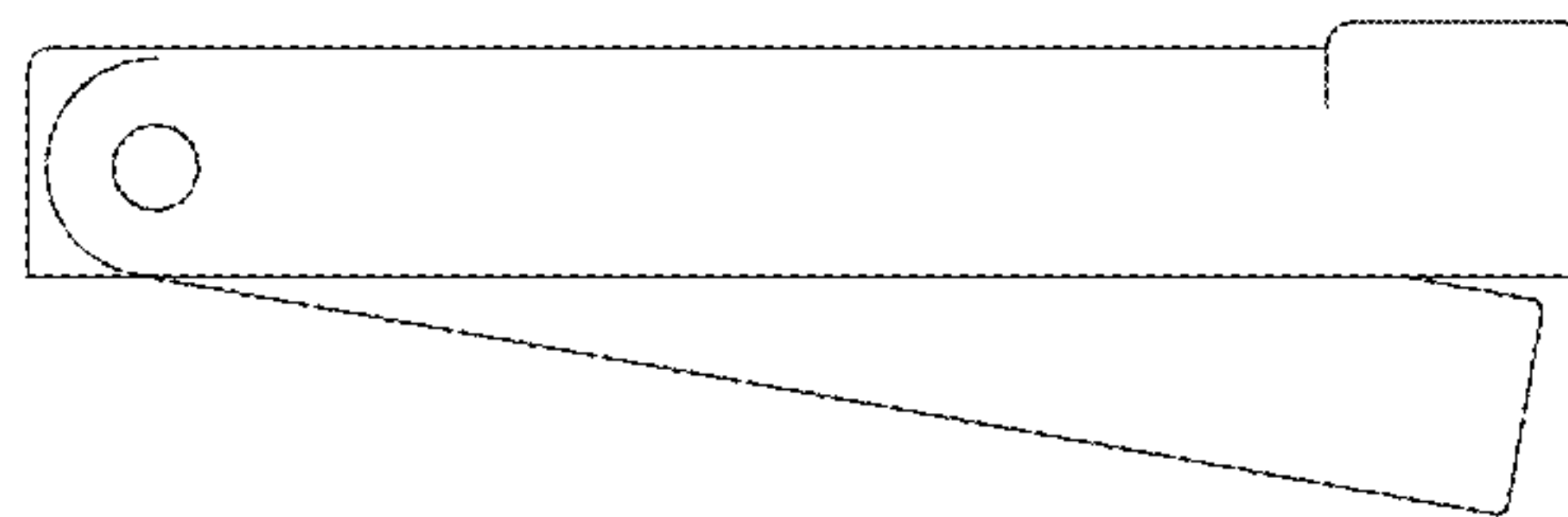


FIG. 16