



US00D968111S

(12) **United States Design Patent** (10) **Patent No.:** **US D968,111 S**
Kim et al. (45) **Date of Patent:** **** Nov. 1, 2022**

(54) **VEHICLE FRONT SEAT** 2/686; B60N 2/688; B60N 2/46; B60N 2/30; F16B 2/08; F16B

(71) Applicant: **Canoo Technologies Inc.**, Torrance, CA (US) (Continued)

(72) Inventors: **Richard Kim**, Los Angeles, CA (US); **Taeho Kim**, South Pasadena, CA (US); **Arthur Henrique Martins Junior**, Los Angeles, CA (US); **Cameron Bresn**, Redondo Beach, CA (US); **Jarrad Adams**, Hermosa Beach, CA (US)

(56) **References Cited**

U.S. PATENT DOCUMENTS

1,978,494 A 10/1934 Junkers
D216,391 S * 12/1969 Israel D6/367
(Continued)

(73) Assignee: **Canoo Technologies Inc.**, Torrance, CA (US)

OTHER PUBLICATIONS

Non-final Office Action dated Feb. 18, 2022, in connection with U.S. Appl. No. 29/706,603, 16 pages.

(**) Term: **15 Years**

(Continued)

(21) Appl. No.: **29/791,947**

Primary Examiner — Paul D Bohannon

(22) Filed: **Feb. 21, 2022**

Related U.S. Application Data

(62) Division of application No. 29/706,603, filed on Sep. 20, 2019.

(51) **LOC (13) Cl.** **06-01**

(52) **U.S. Cl.**

USPC **D6/356**

(58) **Field of Classification Search**

USPC D6/334, 356, 360, 369, 370, 374, 376, D6/716, 716.1, 716.2, 716.3, 716.4, D6/716.5, 716.7, 366, 335, 342, 364, 375, D6/702, 703, 703.1, 381, 367; D21/521, D21/533, 548; D12/133, 7, 85, 187, 400, D12/195, 169; D14/172

CPC A61H 2201/0149; B60N 2/06; B60N 2/20; B60N 2/22; B60N 2/58; B60N 2/68; B60N 2/80; B60N 2/643; B60N 2/888; B60N 2/859; B60N 2/1615; B60N 2/7035; B60N 2/42745; B60N 2002/0272; B60N 2205/35; B60N 2/44; B60N 2/56; B60N 2/206; B60N 2/366; B60N 2/933; B60N 2/2222; B60N 2/2245; B60N

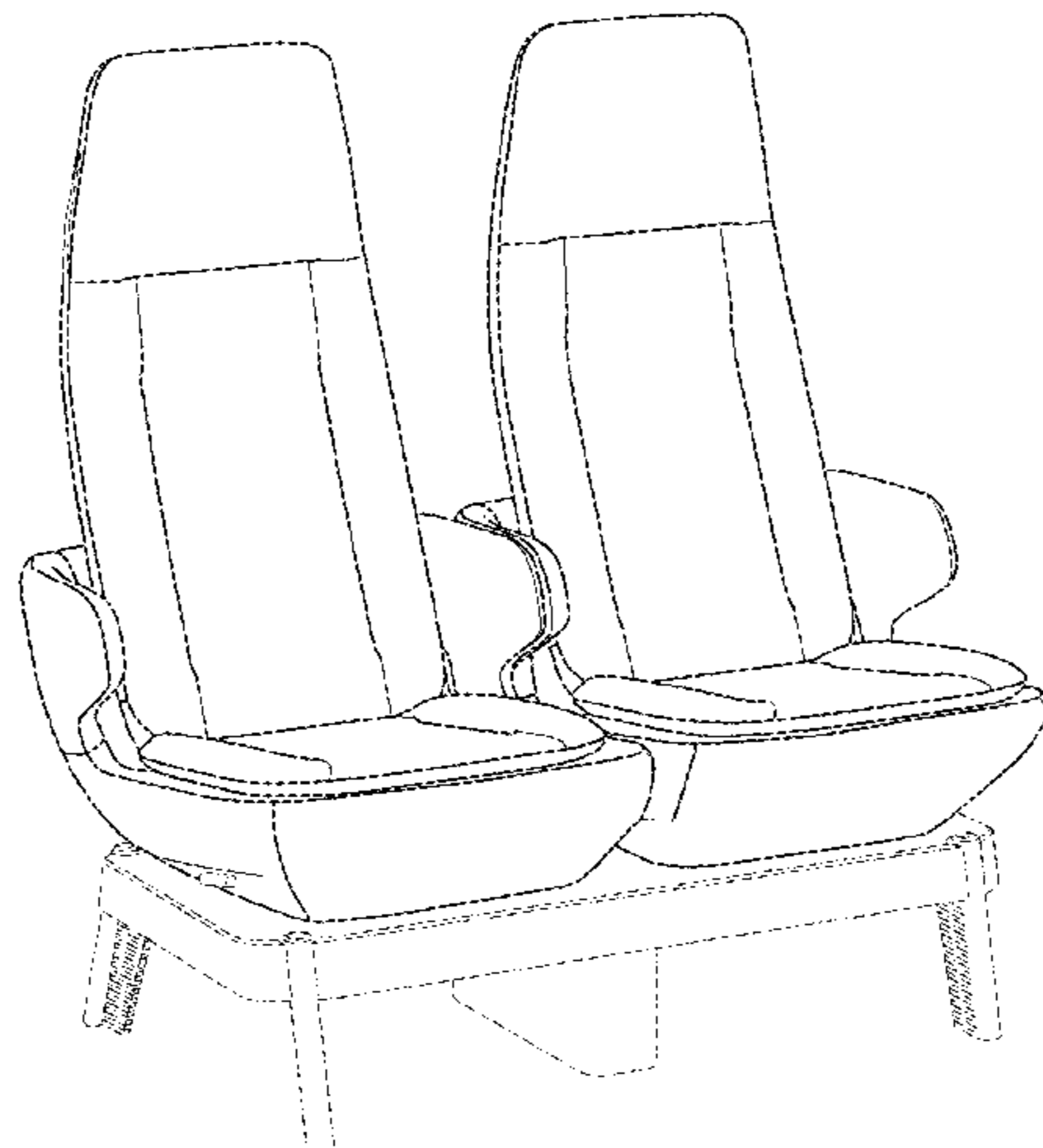
(57) **CLAIM**

The ornamental design for a vehicle front seat, as shown and described.

DESCRIPTION

FIG. 1 is a first perspective view of a vehicle front seat, where the vehicle front seat is shown in a first position of use, according to the present invention.
FIG. 2 is a second perspective view thereof.
FIG. 3 is a side view thereof.
FIG. 4 is a front view thereof.
FIG. 5 is a top view thereof.
FIG. 6 is a bottom view thereof.
FIG. 7 is a third perspective view thereof, where the vehicle front seat is shown in a second position of use.
FIG. 8 is a side view thereof.
FIG. 9 is a fourth perspective view thereof; and,
FIG. 10 is a fifth perspective view thereof.
Mirror images of side views are within the scope of the claimed design even if not illustrated.

(Continued)



Features shown in broken lines do not form part of the claimed design.

1 Claim, 10 Drawing Sheets

(58) Field of Classification Search

CPC 2/803; F16B 45/00; B60K 35/00; B60K 37/06; B60K 2026/026; B60K 2370/685; B60K 2370/744

See application file for complete search history.

(56) References Cited

U.S. PATENT DOCUMENTS

3,795,418	A	3/1974	Barenyi et al.	
D250,071	S *	10/1978	Dickerson	D6/381
D264,774	S *	6/1982	McGirk	D6/367
D274,613	S	7/1984	Yamashita	
D426,392	S *	6/2000	Ott	D6/356
D513,132	S	12/2005	Yamazaki et al.	
D577,499	S *	9/2008	Tsay	D6/356
D583,723	S	12/2008	Murakami	
D590,612	S	4/2009	Zhang et al.	
D612,163	S *	3/2010	Wagener	D6/356
D617,104	S *	6/2010	Wagener	D6/356
7,758,129	B2	7/2010	Maruno et al.	
D650,189	S	12/2011	Nakaminami et al.	
D651,002	S *	12/2011	Fleming	D6/356
D651,004	S *	12/2011	Fleming	D6/356
D672,160	S *	12/2012	Wagener	D6/356

D707,047	S *	6/2014	Carter	D6/356
D707,048	S *	6/2014	Nishida	D6/356
D711,125	S *	8/2014	Nishida	D6/356
D723,822	S *	3/2015	Cai	D6/356
D726,426	S *	4/2015	Carter	D6/356
D747,891	S *	1/2016	Kasparian	D6/356
D755,531	S	5/2016	Ahn et al.	
D774,319	S	12/2016	Ingenlath et al.	
D778,080	S	2/2017	Ahn et al.	
D798,623	S *	10/2017	Demirel	D6/356
D822,397	S *	7/2018	Waterhouse	D6/356
D841,348	S	2/2019	Hodder et al.	
D861,364	S	10/2019	Pinder	
D862,099	S	10/2019	Hodder et al.	
10,569,882	B2 *	2/2020	Scott	B64D 11/0601
D915,090	S	4/2021	Zhang et al.	
D924,583	S	7/2021	Kang et al.	
11,230,208	B2	1/2022	Flick et al.	
11,235,719	B2	2/2022	Onuma	
2002/0070594	A1	6/2002	Mochizuki et al.	
2022/0041083	A1	2/2022	Mondragon	

OTHER PUBLICATIONS

Non-final Office Action dated May 4, 2022, in connection with U.S. Appl. No. 29/791,945, 15 pages.
 Non-final Office Action dated May 5, 2022, in connection with U.S. Appl. No. 29/791,946, 9 pages.
 Notice of Allowance dated May 4, 2022, in connection with U.S. Appl. No. 29/706,603, 7 pages.
 Restriction Requirement dated Jan. 27, 2022, in connection with U.S. Appl. No. 29/706,603, 7 pages.

* cited by examiner

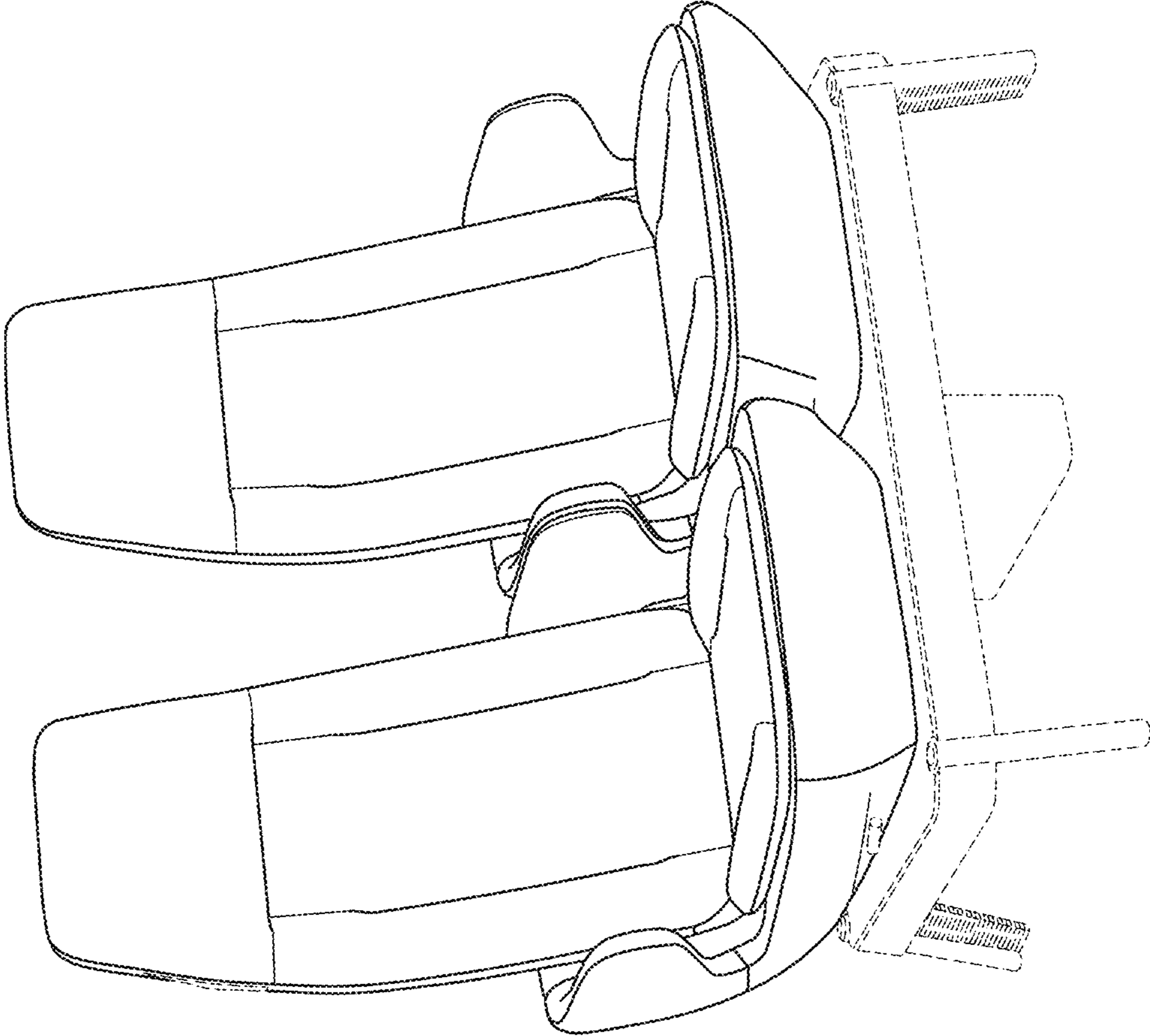


FIG. 1

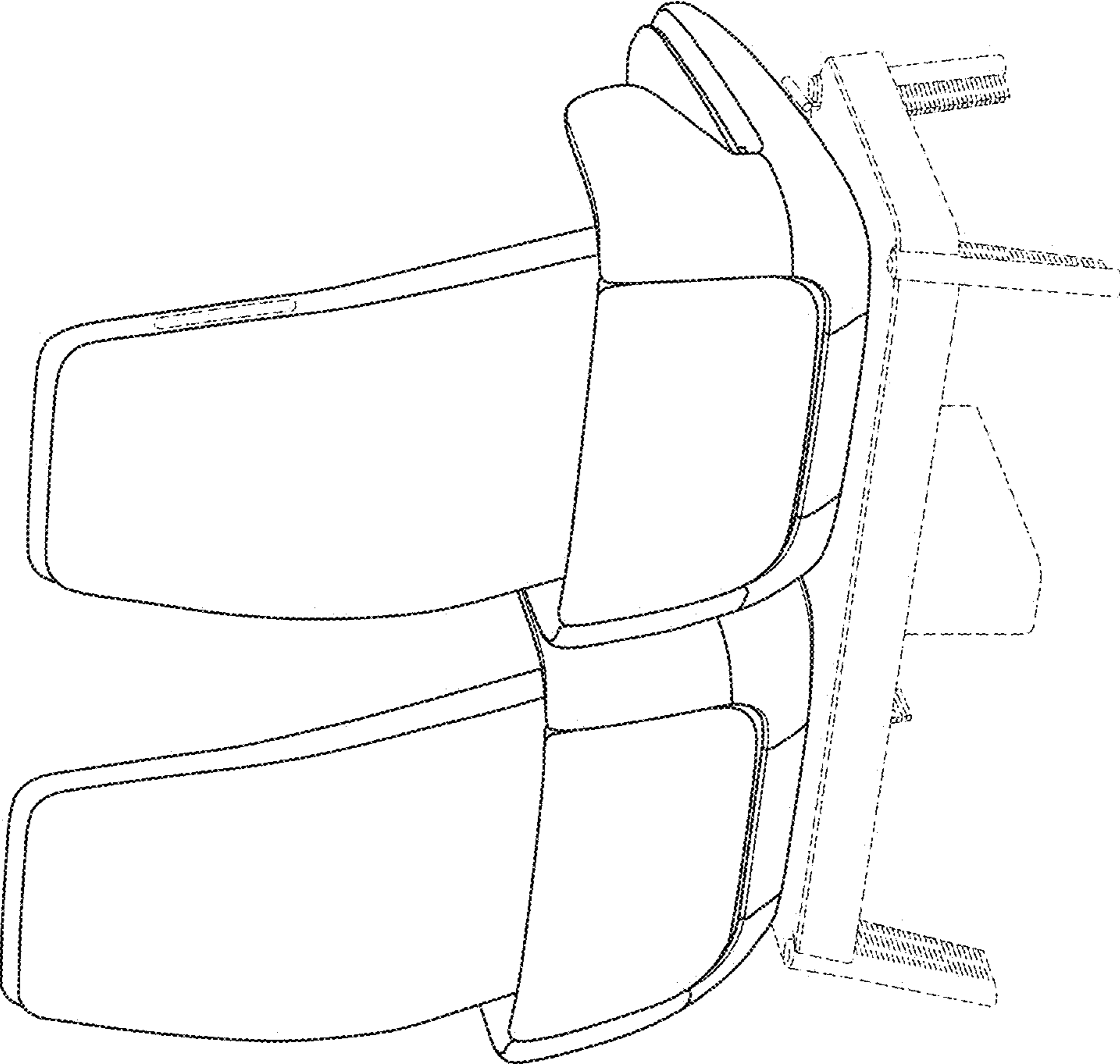


FIG. 2

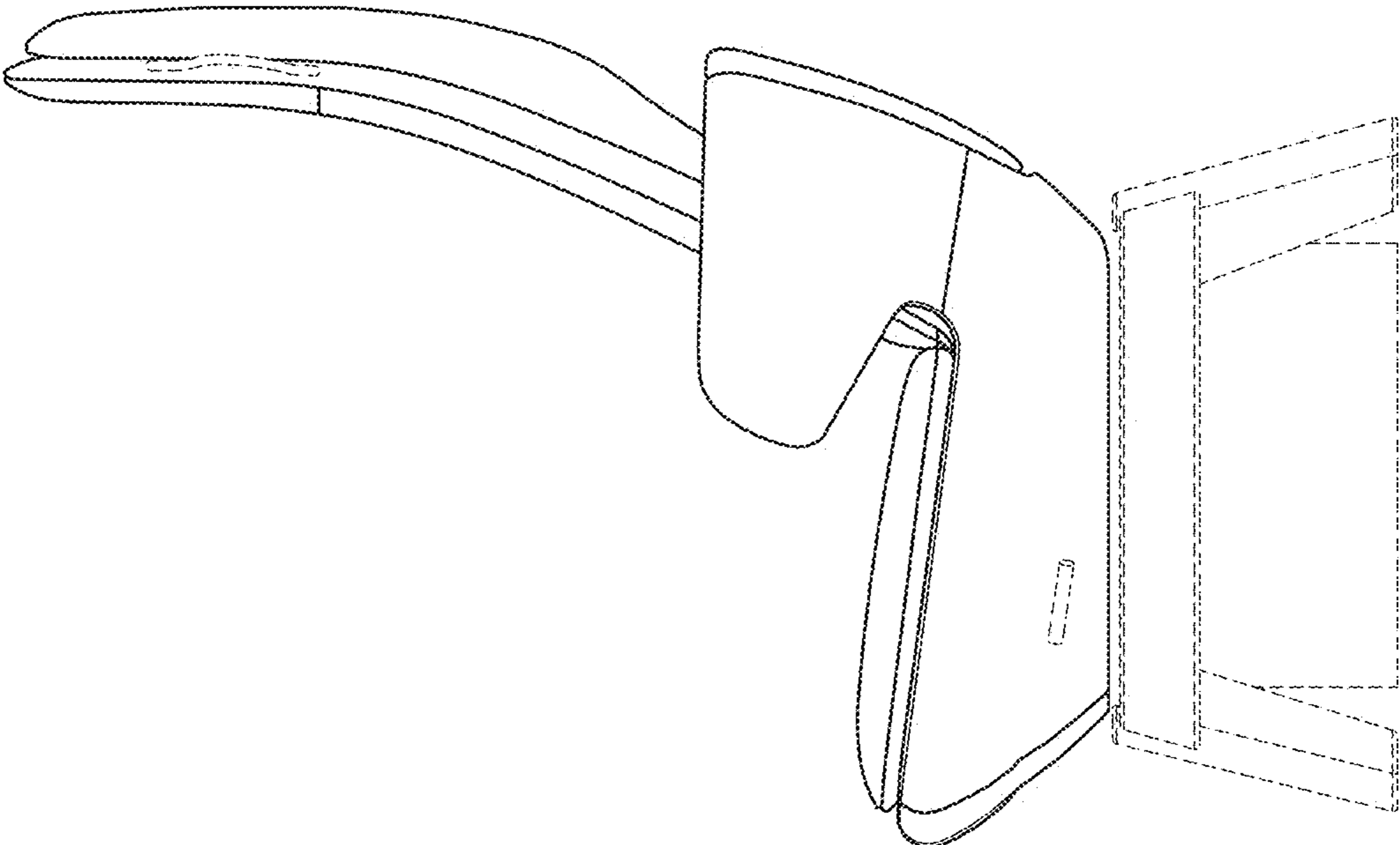


FIG. 3

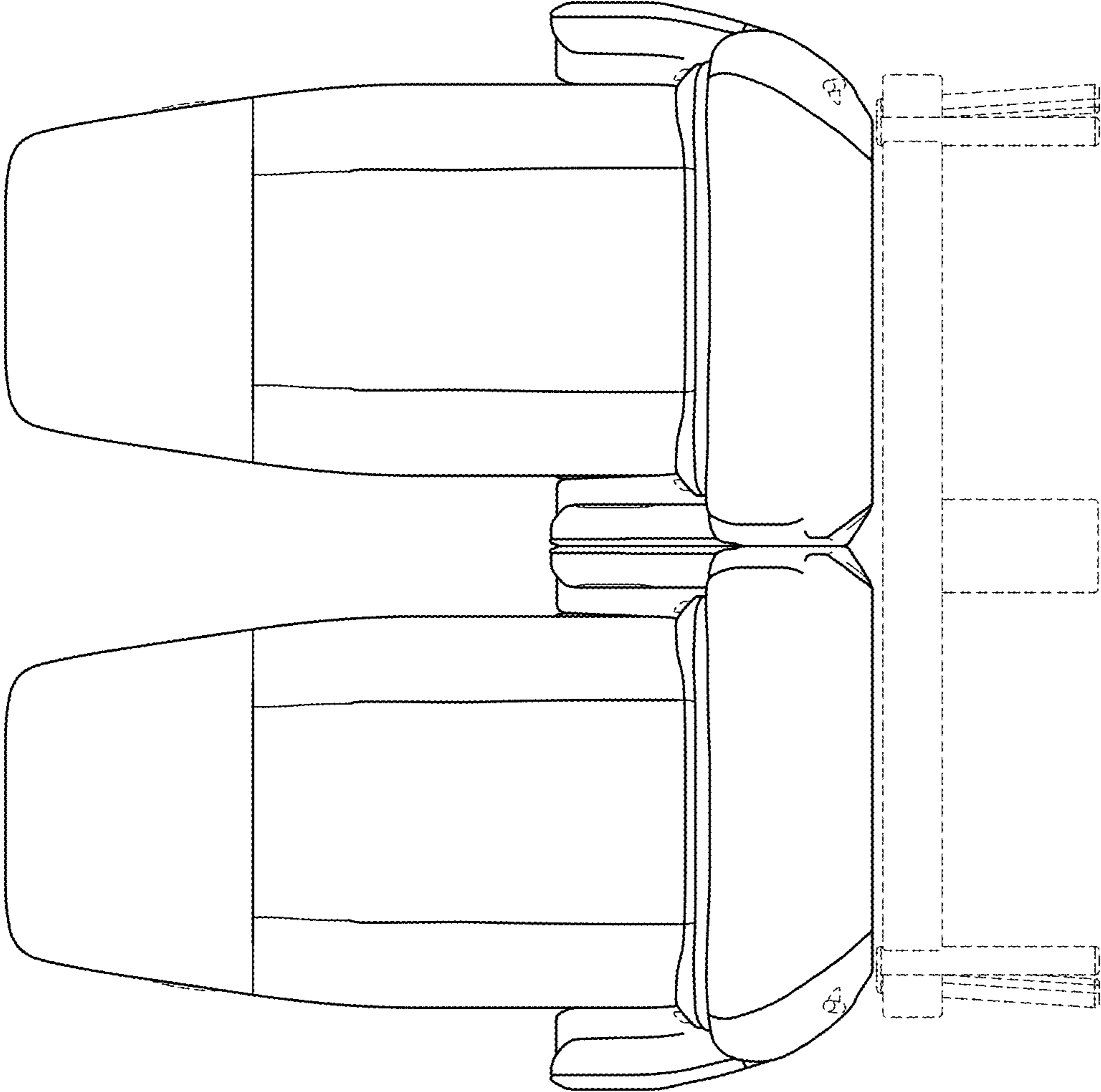


FIG. 4

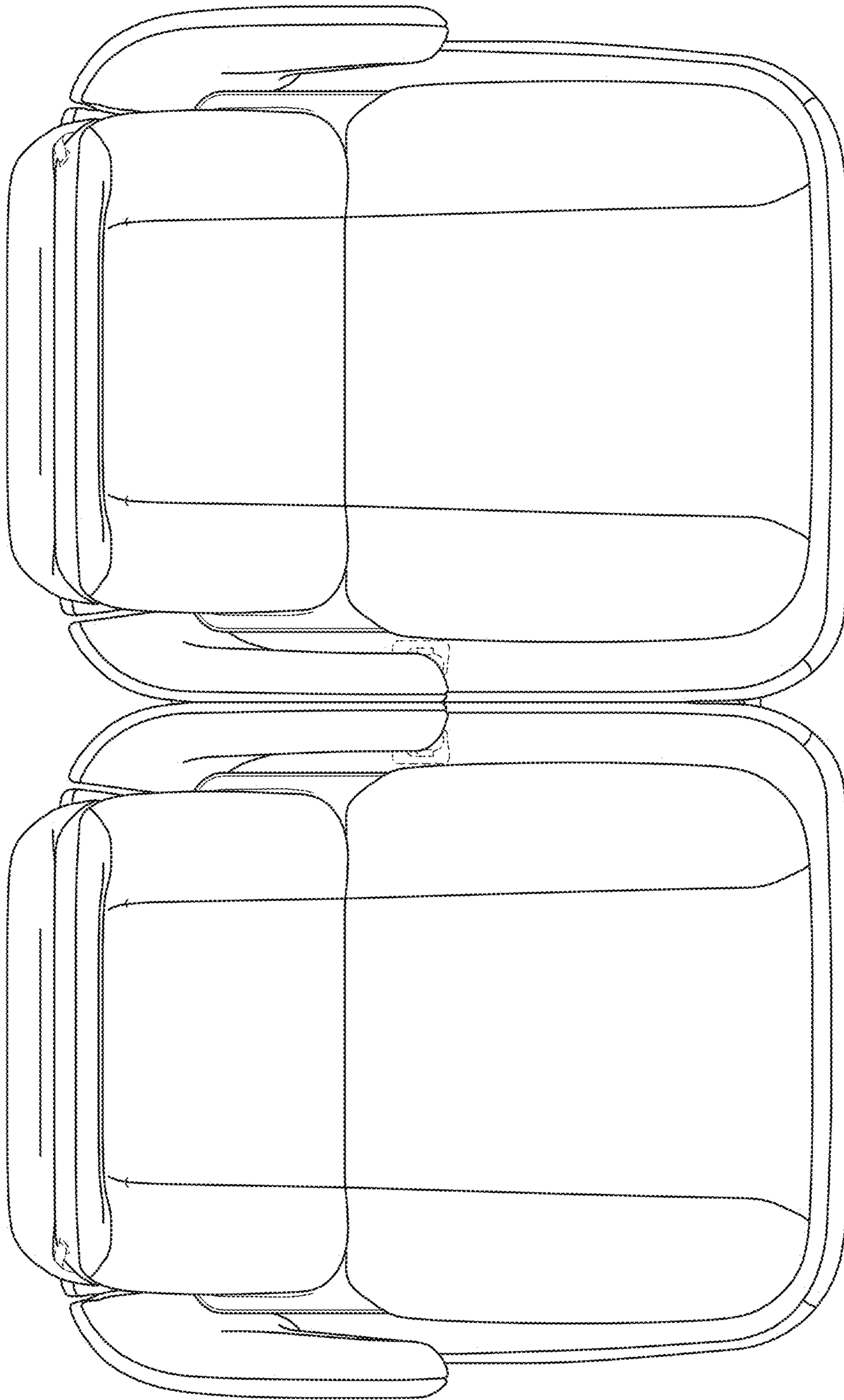


FIG. 5

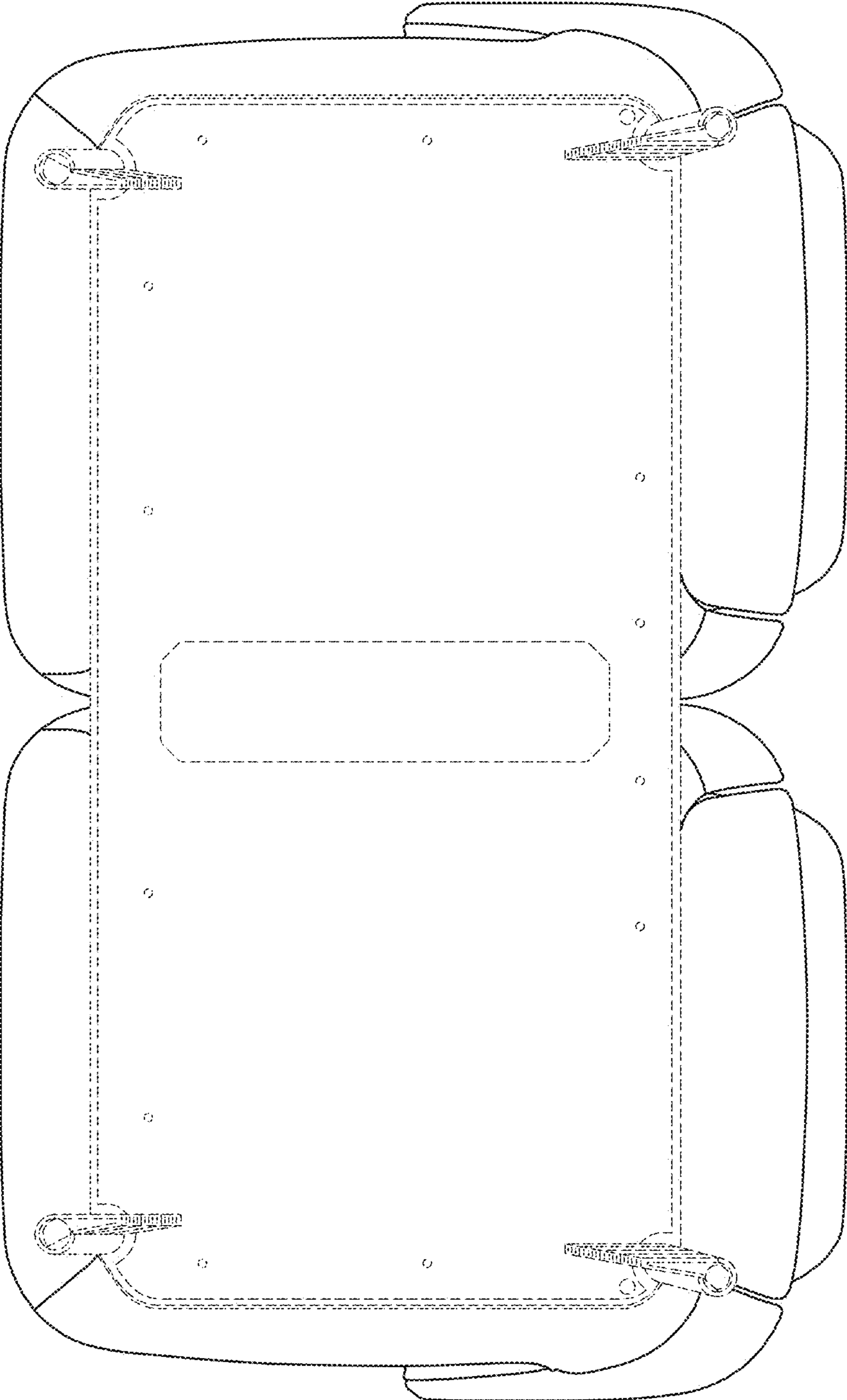


FIG. 6

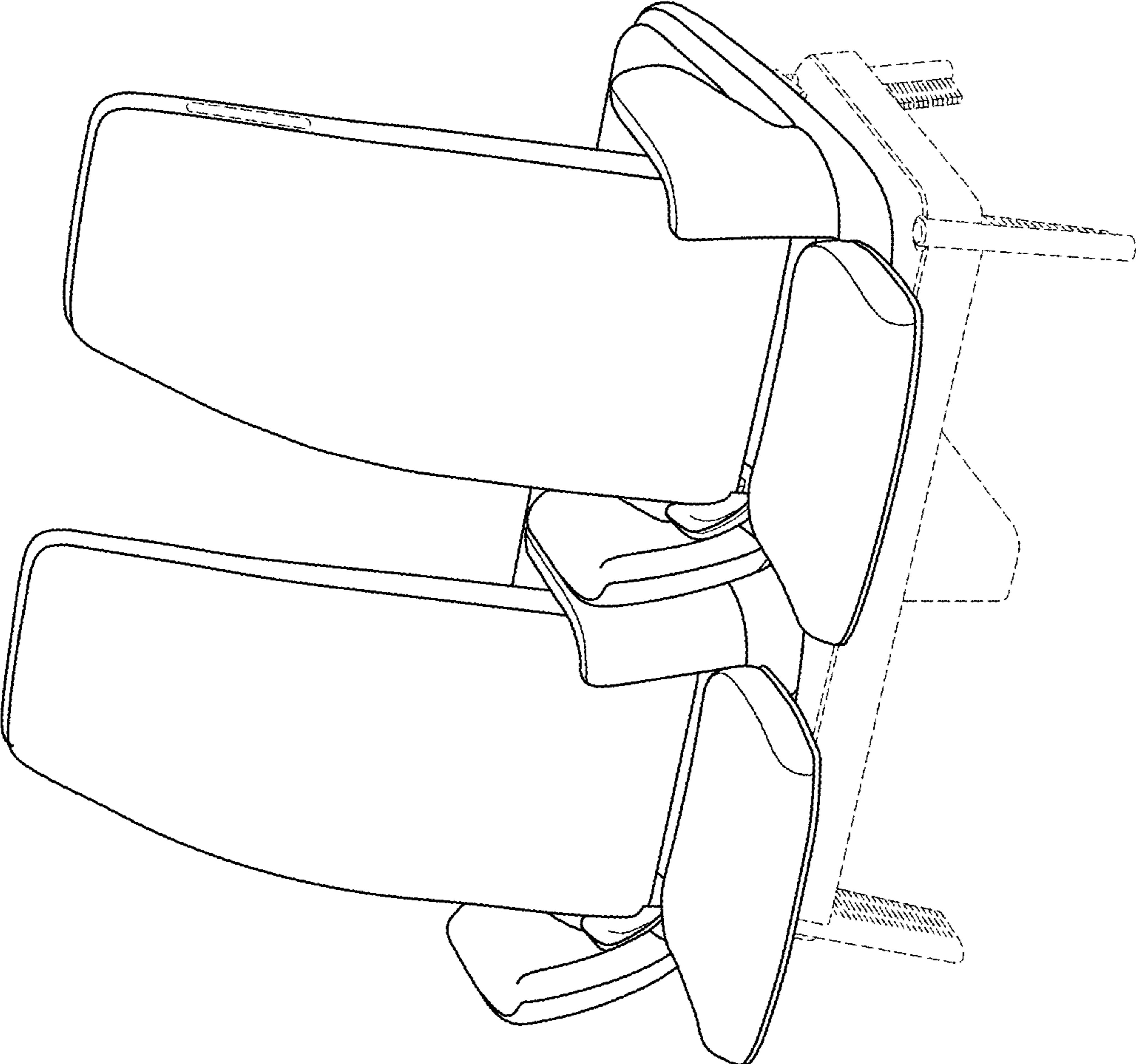


FIG. 7

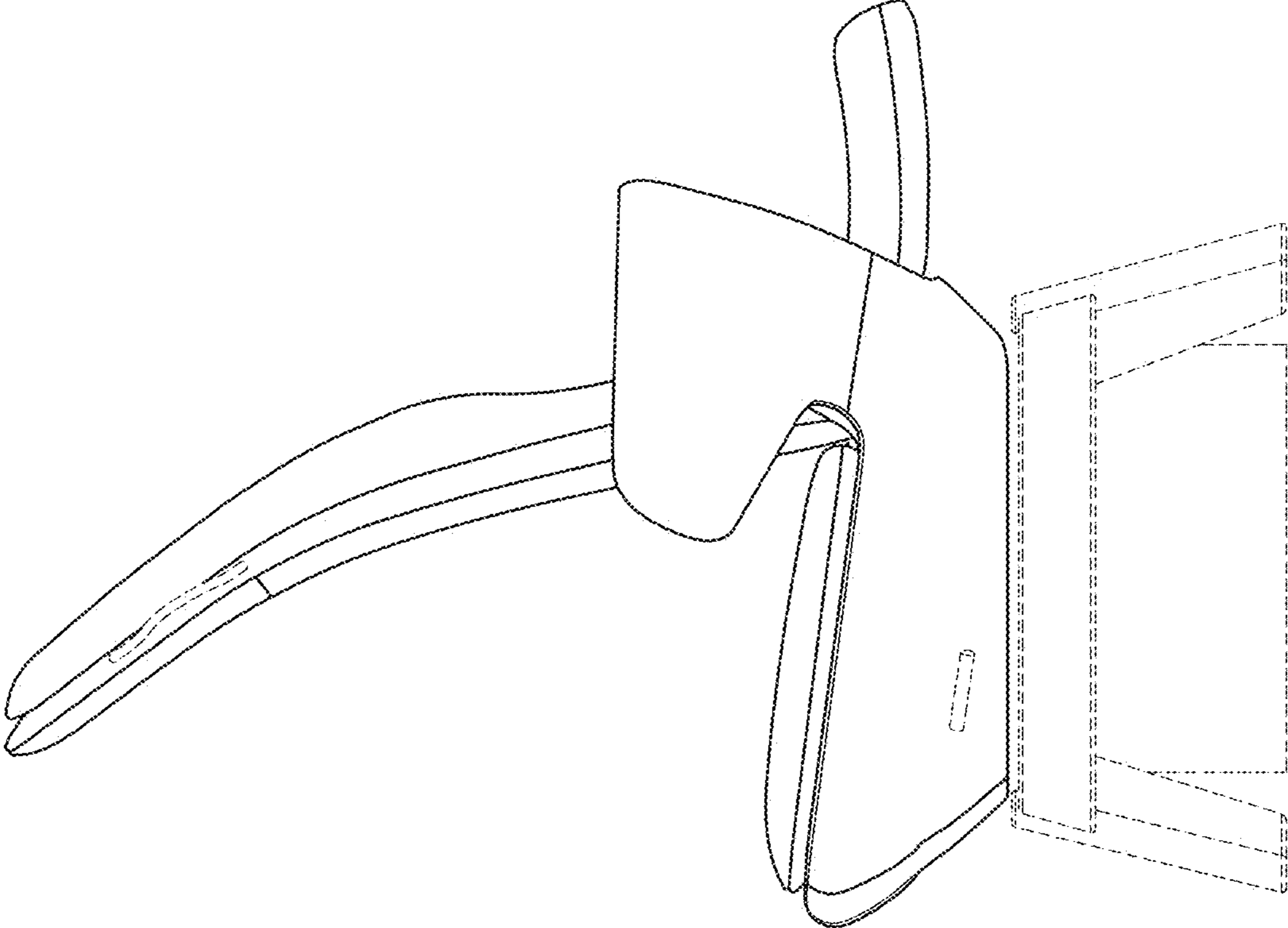


FIG. 8

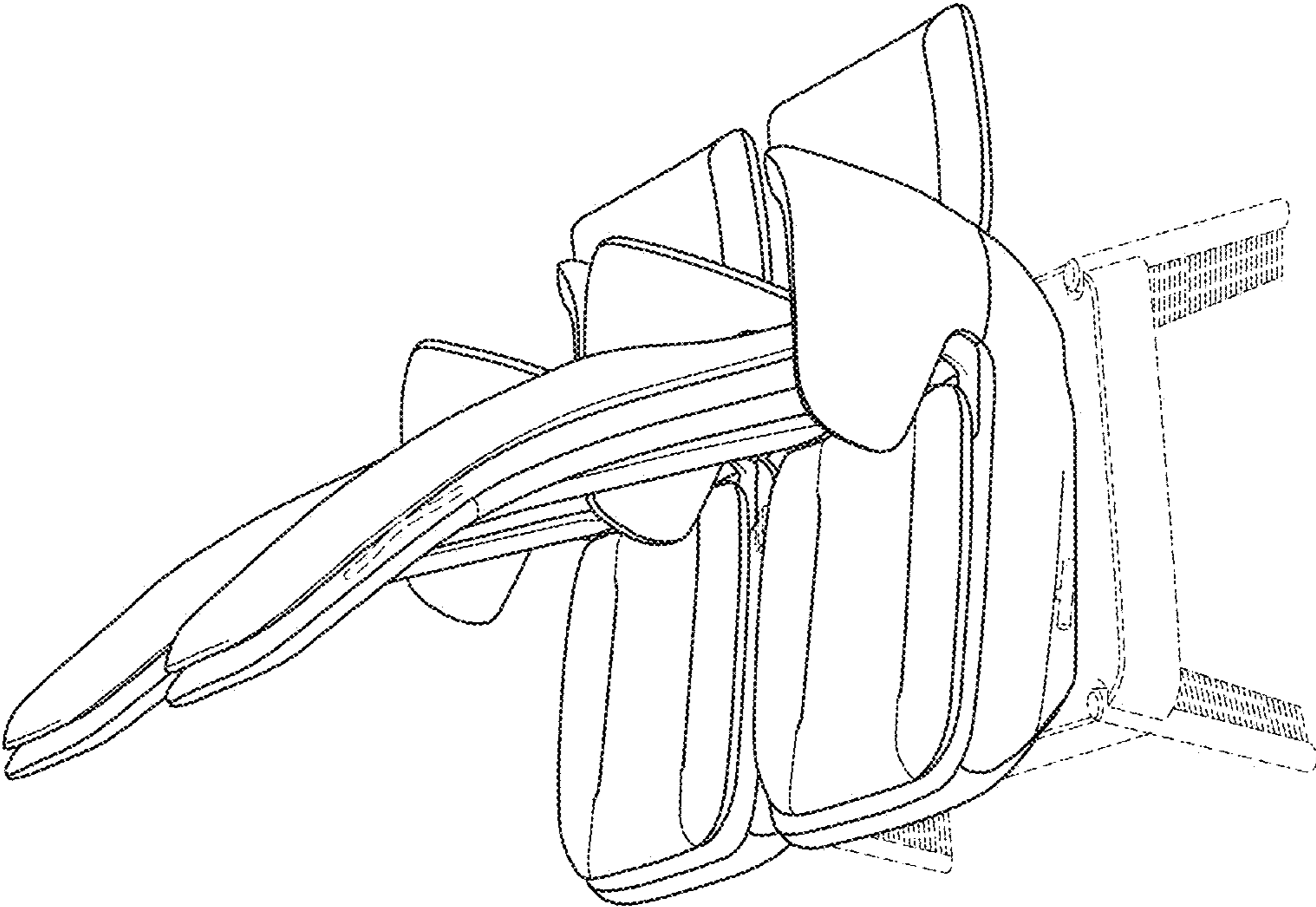


FIG. 9

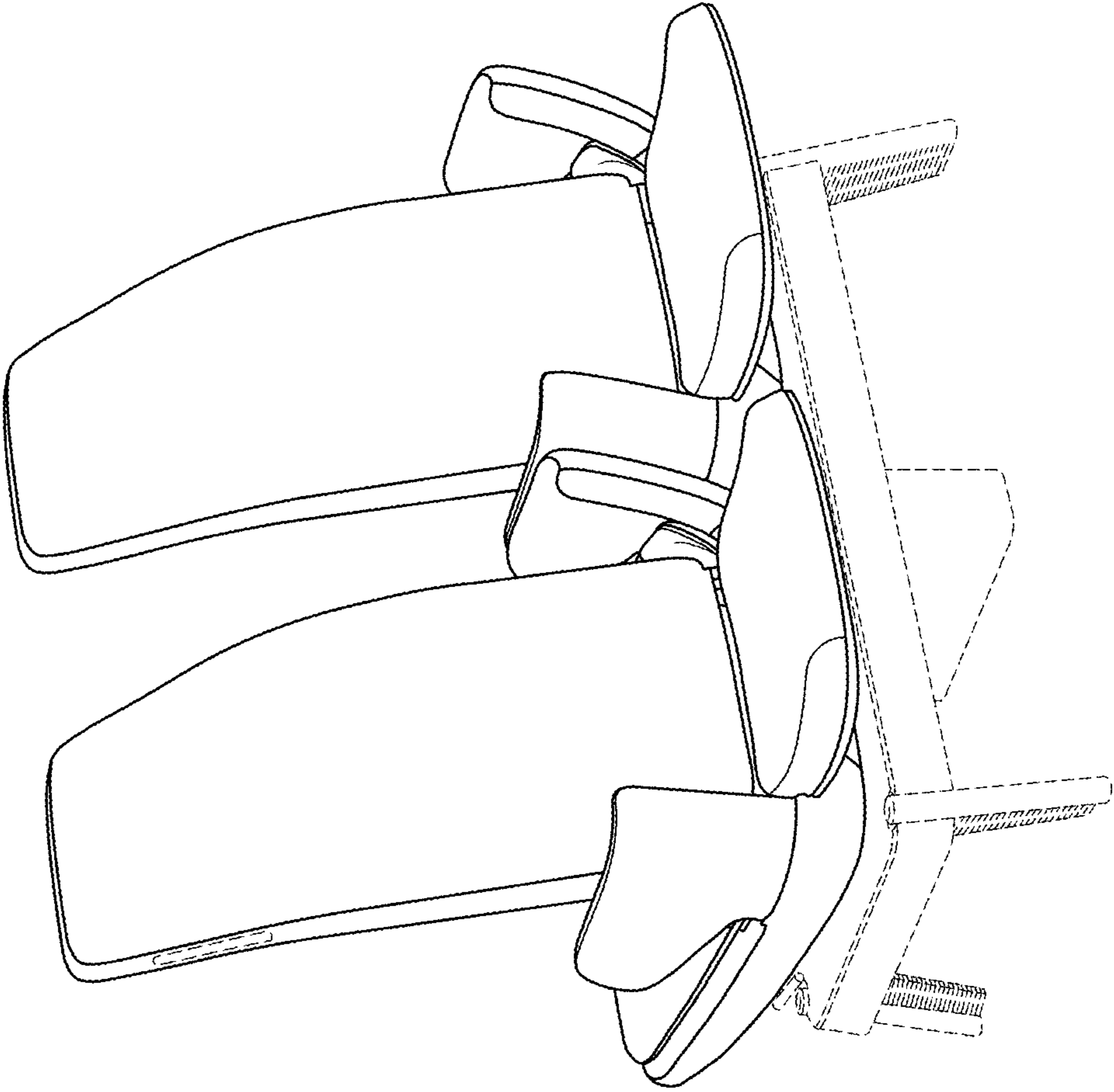


FIG. 10