



US00D968109S

(12) **United States Design Patent** (10) **Patent No.:** **US D968,109 S**  
**Xu** (45) **Date of Patent:** **\*\* Nov. 1, 2022**

(54) **FOLDABLE FOOTSTOOL**

D897,125 S 9/2020 Baptiste  
D902,612 S \* 11/2020 Hu ..... D6/349  
2017/0290413 A1\* 10/2017 Hu ..... A47B 9/16

(71) Applicant: **Weihai Xu**, Ningbo (CN)

(72) Inventor: **Weihai Xu**, Ningbo (CN)

(\*\*) Term: **15 Years**

(21) Appl. No.: **29/820,852**

(22) Filed: **Dec. 23, 2021**

(51) **LOC (13) Cl.** ..... **06-01**

(52) **U.S. Cl.**  
USPC ..... **D6/353**

(58) **Field of Classification Search**  
USPC ..... D6/353, 328, 333-338, 349-351, 355,  
D6/357, 663, 684, 685, 687, 691,  
D6/691.7-691.9, 709.2, 716; D21/522,  
D21/671, 826, 685; D25/64, 65, 29,  
D25/126-129; D23/290, 309, 335  
CPC ..... A47C 16/025; A47C 12/02; A47B 9/16  
See application file for complete search history.

(56) **References Cited**

**U.S. PATENT DOCUMENTS**

D152,998 S *	3/1949	Martin	38/DIG. 2
D194,032 S *	11/1962	Scruci	D6/353
D195,621 S *	7/1963	Langbaum	297/423.46
D330,234 S *	10/1992	Saunders	D21/671
D348,784 S *	7/1994	Hassel	D6/349
D350,450 S *	9/1994	Hassel	D6/349
D389,327 S *	1/1998	King	D24/212
5,765,921 A *	6/1998	Chuang	A47C 16/025 297/423.46
D514,175 S *	1/2006	Sugiyama	D21/685
D599,452 S *	9/2009	Israel	D23/335
9,635,929 B1 *	5/2017	Wu	A47B 23/043
D834,342 S	11/2018	Naik	
D841,995 S *	3/2019	Zioni	D6/353

**OTHER PUBLICATIONS**

Kalnweis Adjustable Office Foot Rest, available in Amazon.com, date first available Jan. 19, 2017 [online], Retrieved on Jul. 21, 2022 from URL: <https://www.amazon.com/dp/B0B1PZKZWX/> (Year: 2017).\*

\* cited by examiner

*Primary Examiner* — Vy N Koenig  
*Assistant Examiner* — Michelle M Reeves

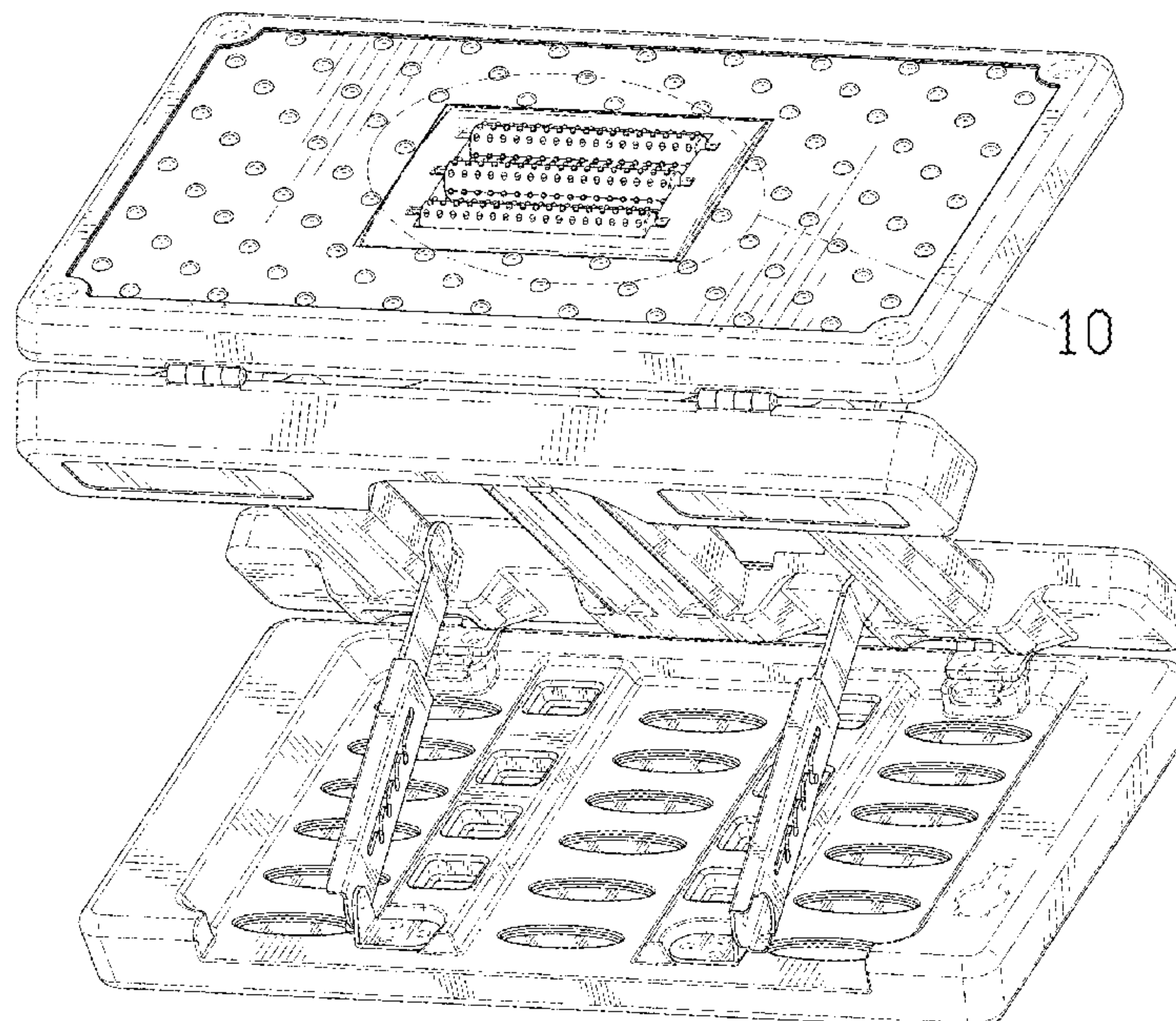
(57) **CLAIM**

The ornamental design for a foldable footstool, as shown and described.

**DESCRIPTION**

FIG. 1 is a perspective view of a foldable footstool showing my new design;  
FIG. 2 is another perspective view thereof;  
FIG. 3 is a front elevational view thereof;  
FIG. 4 is a rear elevational view thereof;  
FIG. 5 is a left side elevational view thereof;  
FIG. 6 is a right side elevational view thereof;  
FIG. 7 is a top plan view thereof;  
FIG. 8 is a bottom plan view thereof;  
FIG. 9 is a perspective view of the foldable footstool where the foldable footstool is in a folded state; and,  
FIG. 10 is an enlarged view of portion 10 shown in FIG. 1. The dash-dash broken lines in the drawings depict portions of the foldable footstool that form no part of the claimed design. The dot-dash broken lines represent the boundary of the enlarged portion and form no part of the claimed design.

**1 Claim, 10 Drawing Sheets**





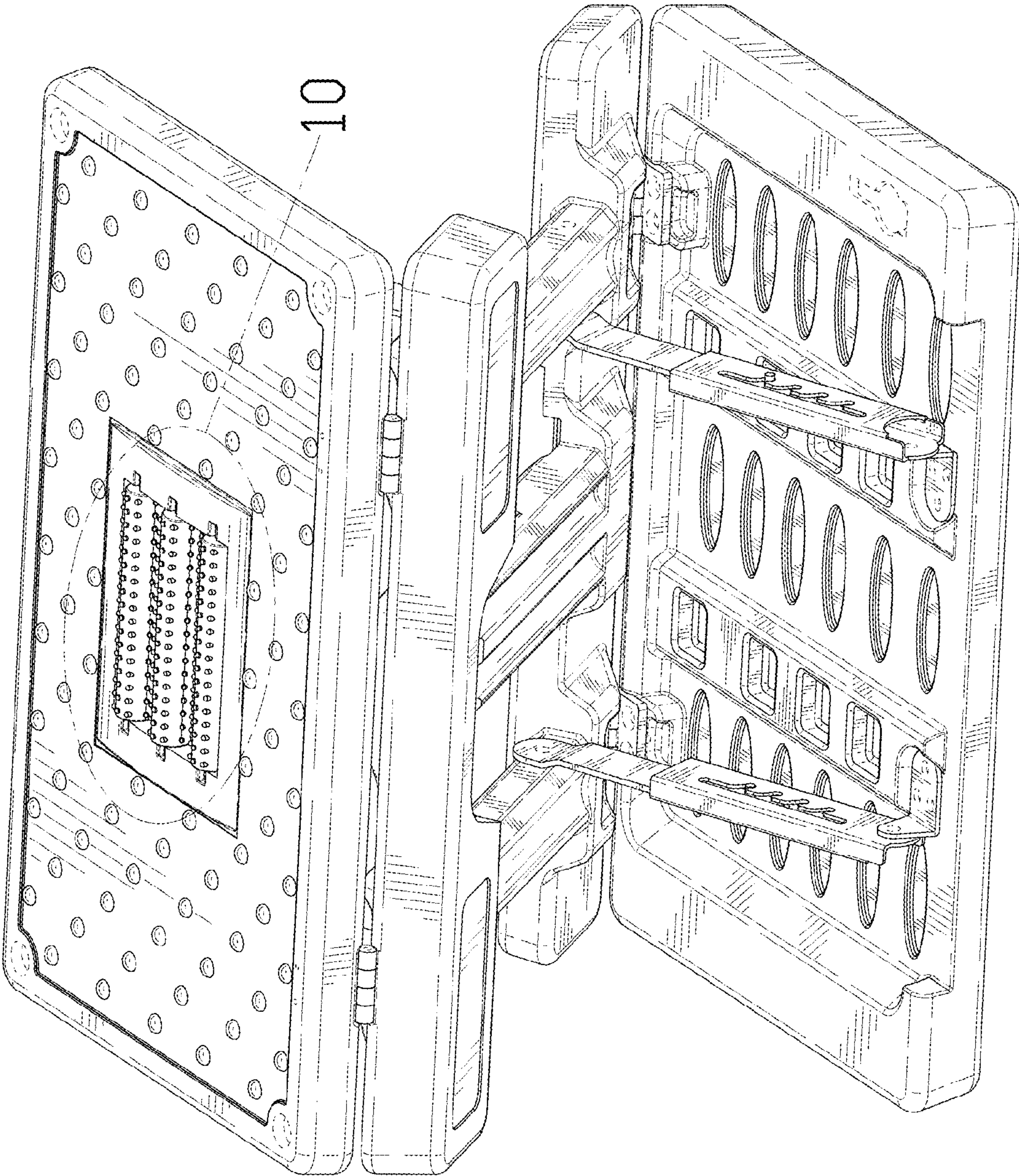


FIG. 1



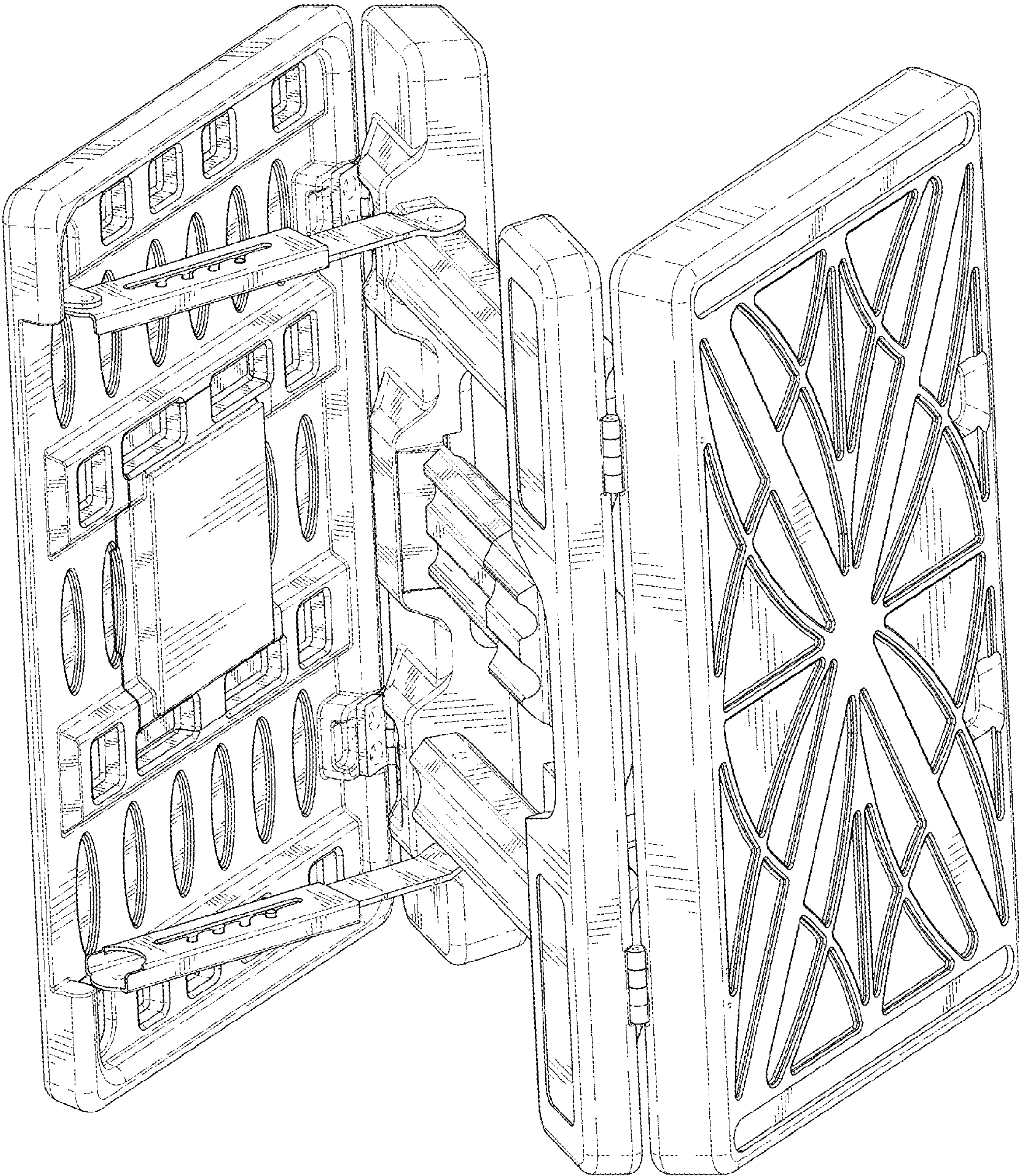


FIG. 2

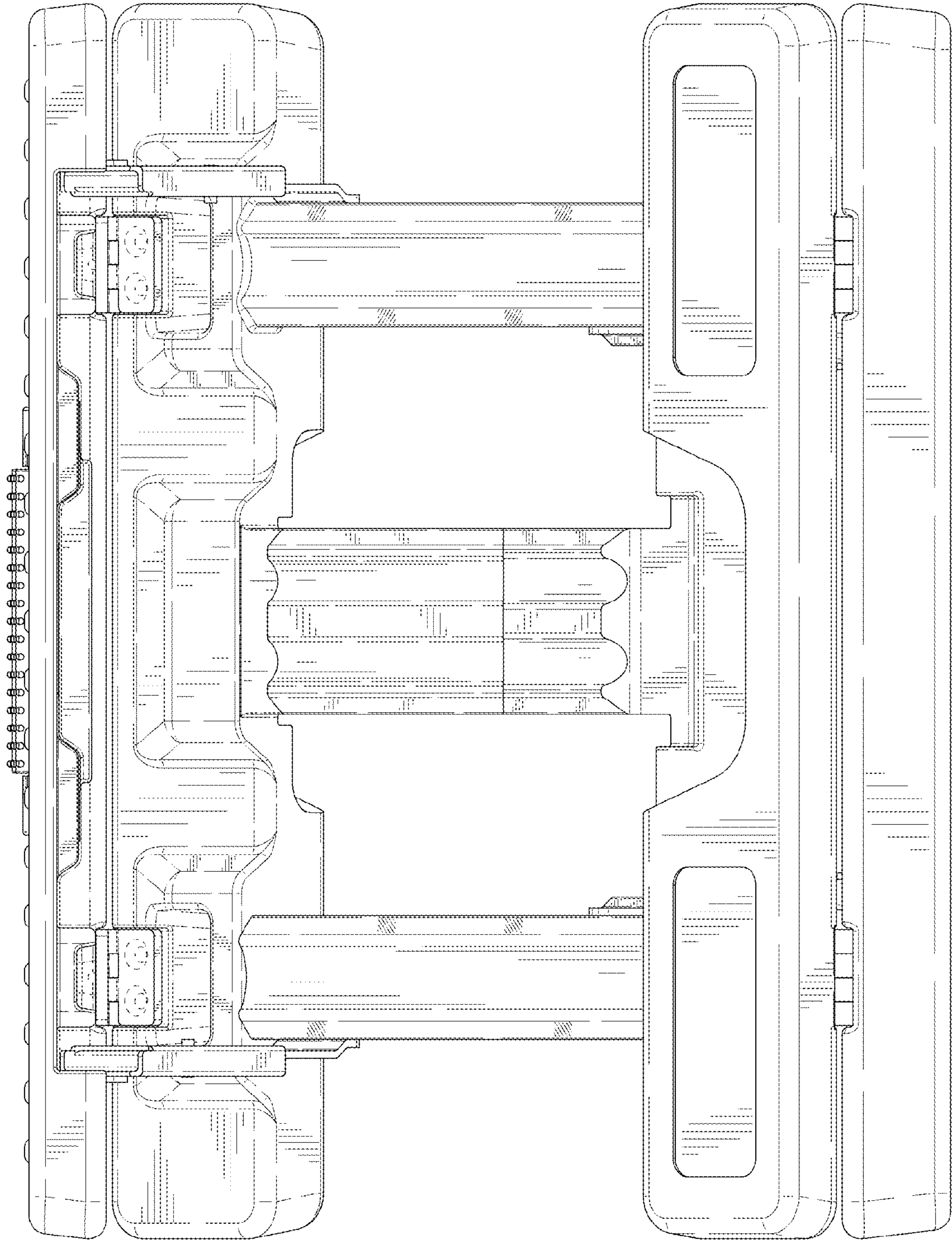


FIG. 3



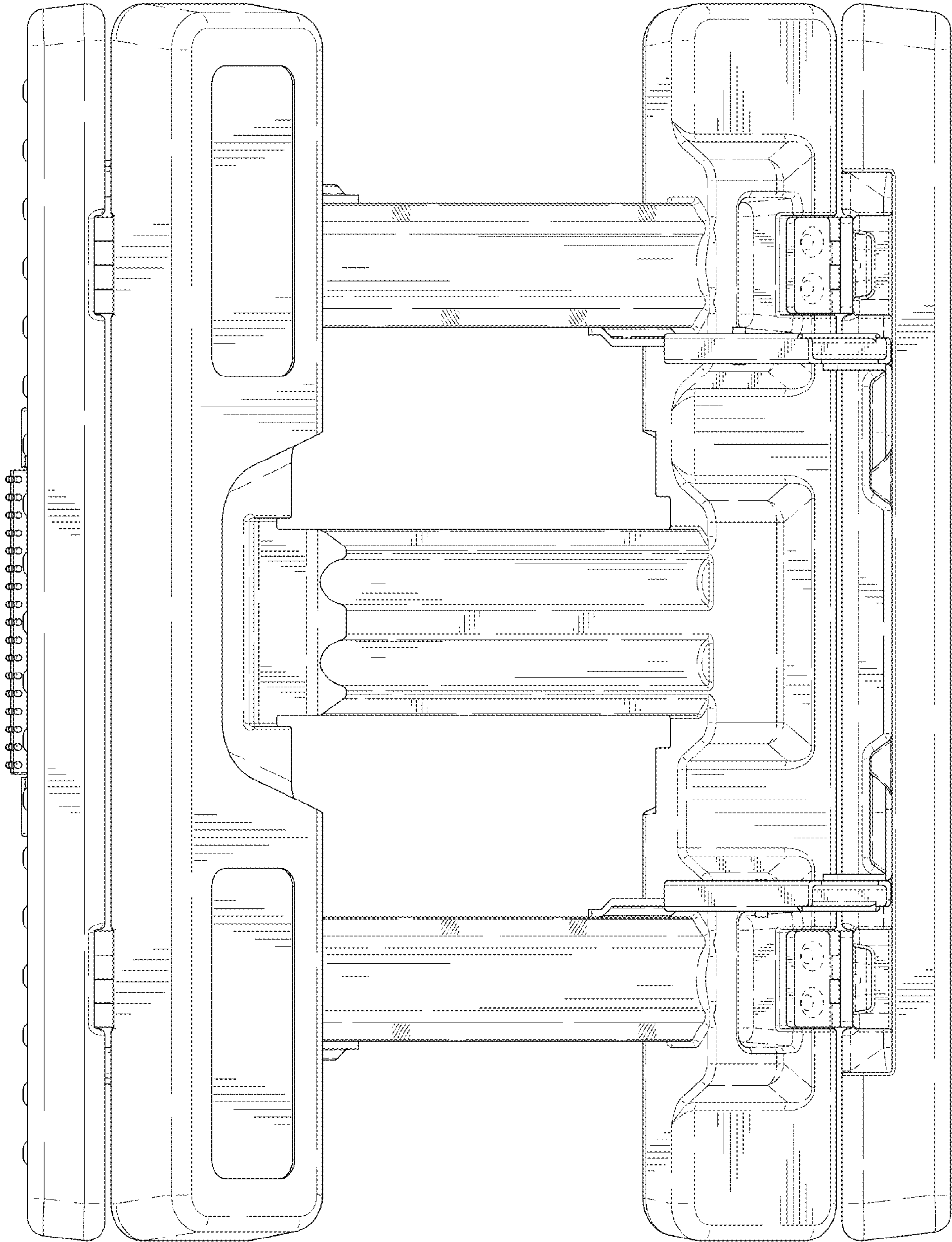


FIG. 4

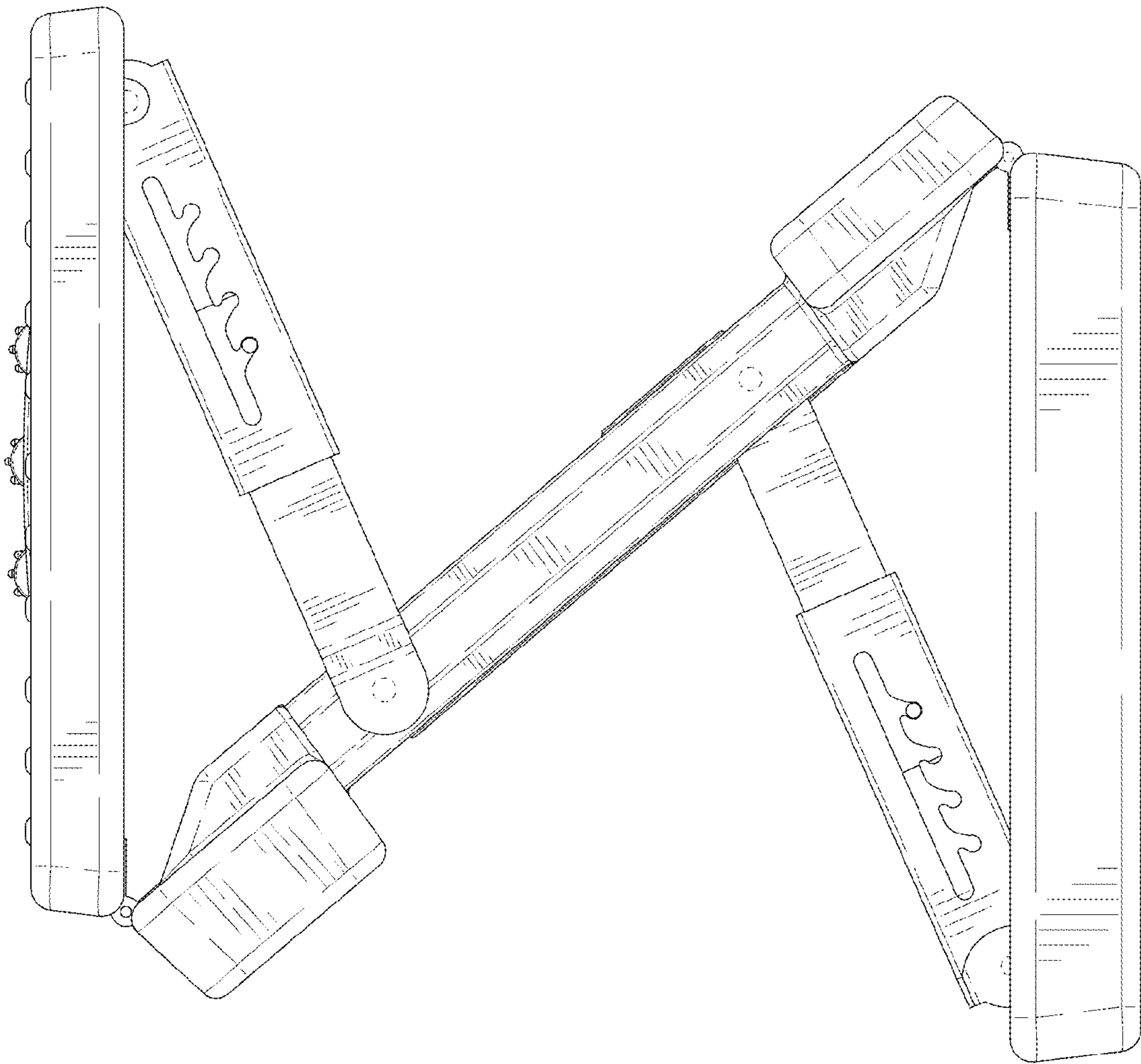


FIG. 5

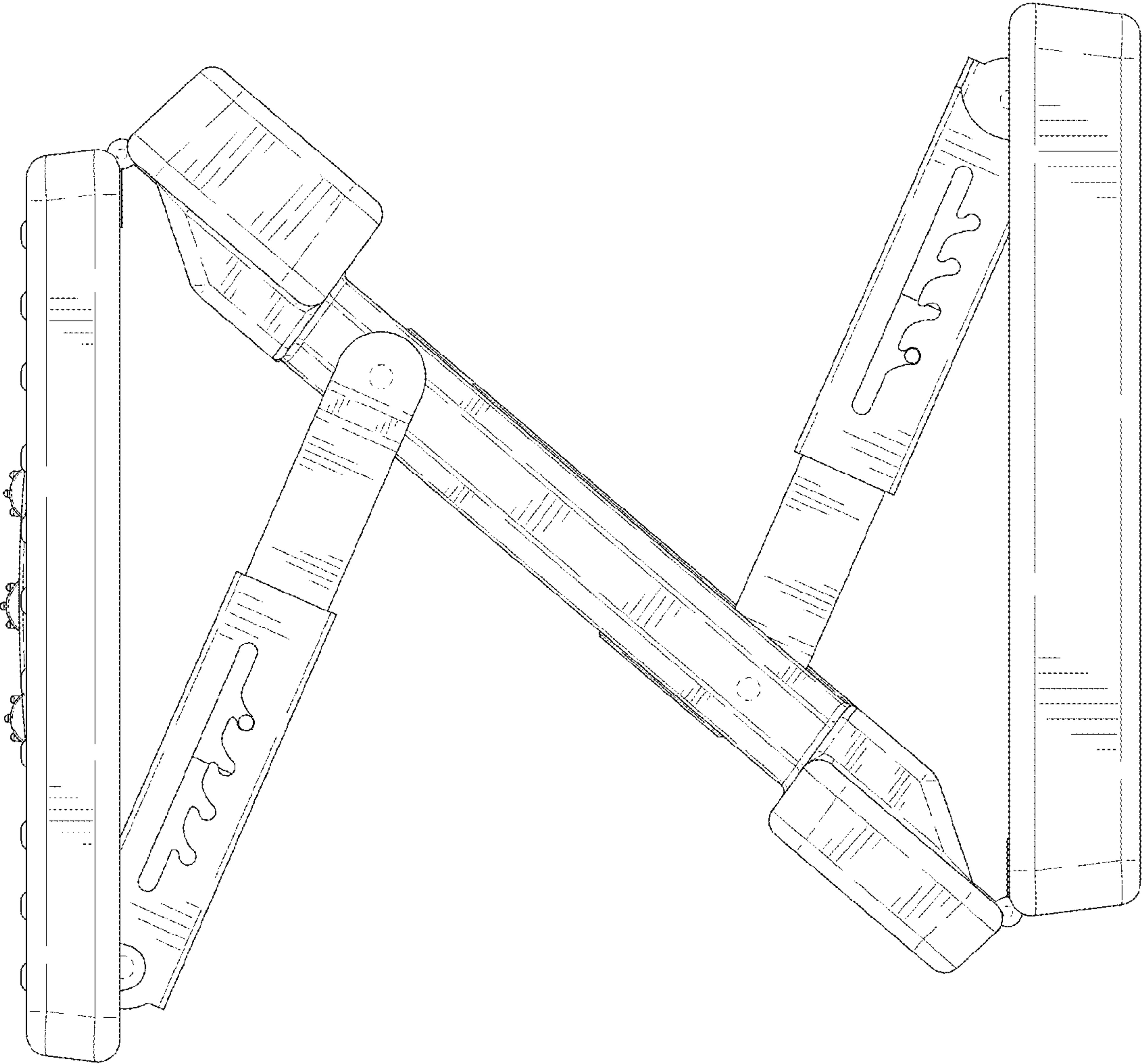


FIG. 6



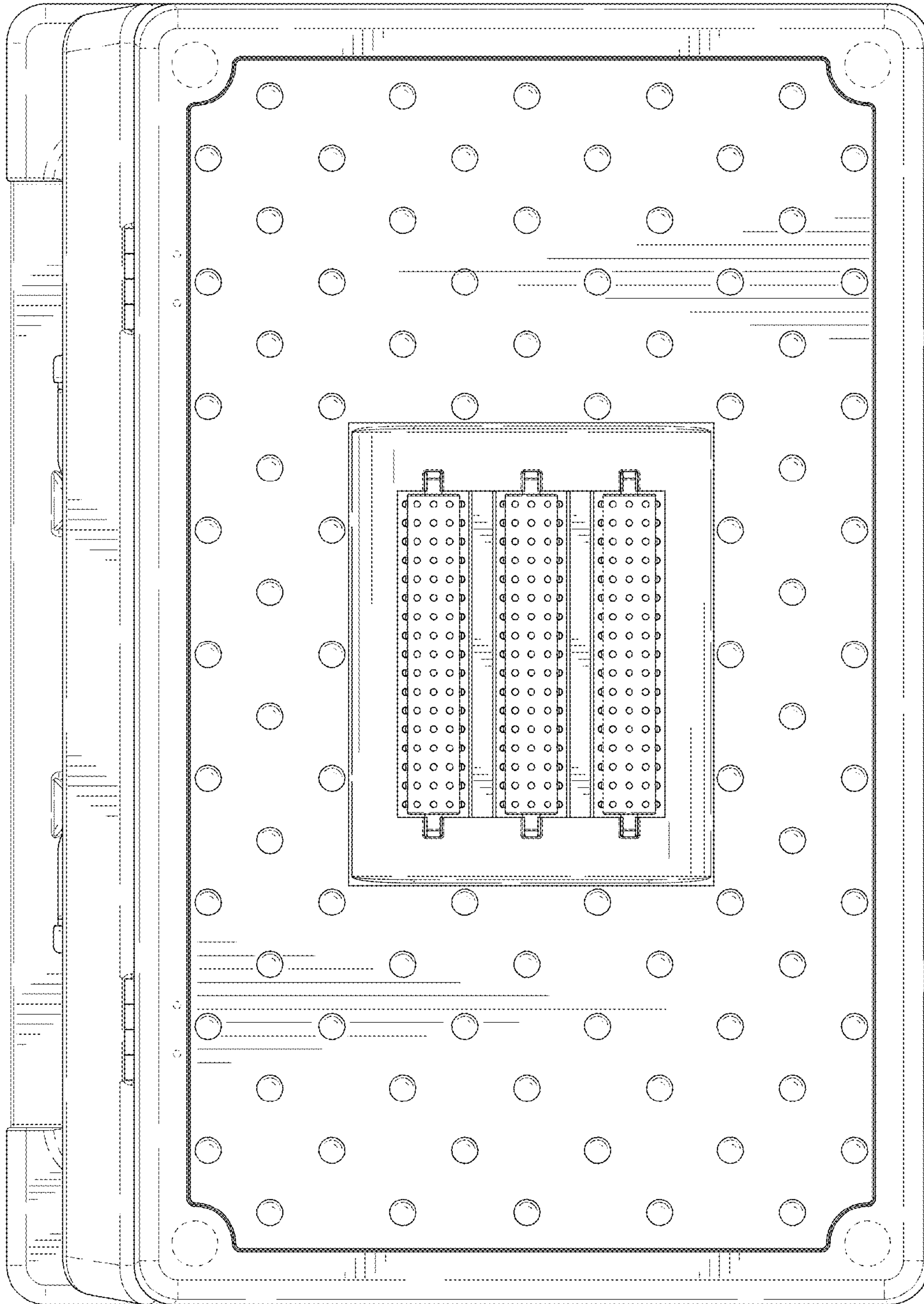


FIG. 7



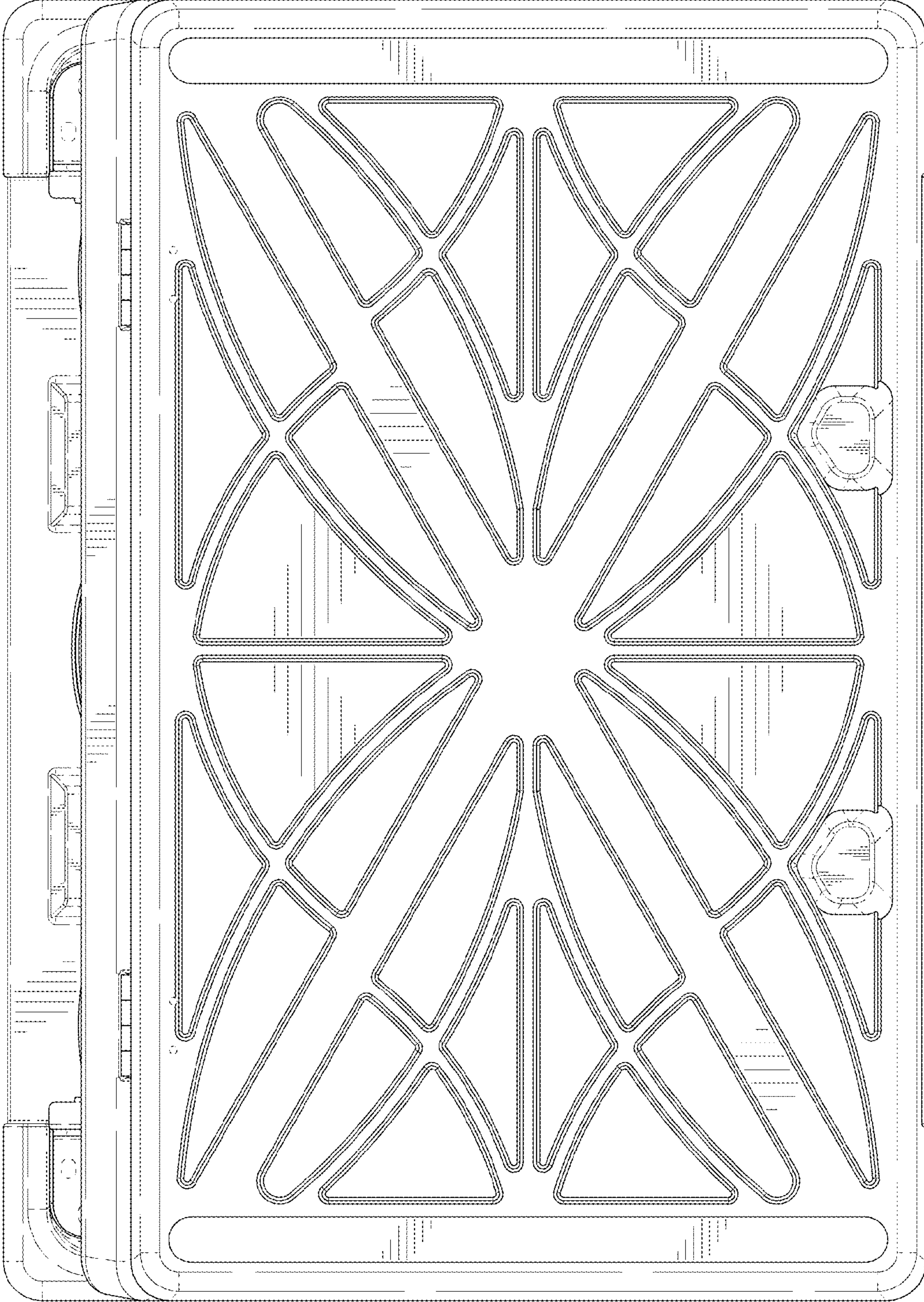


FIG. 8



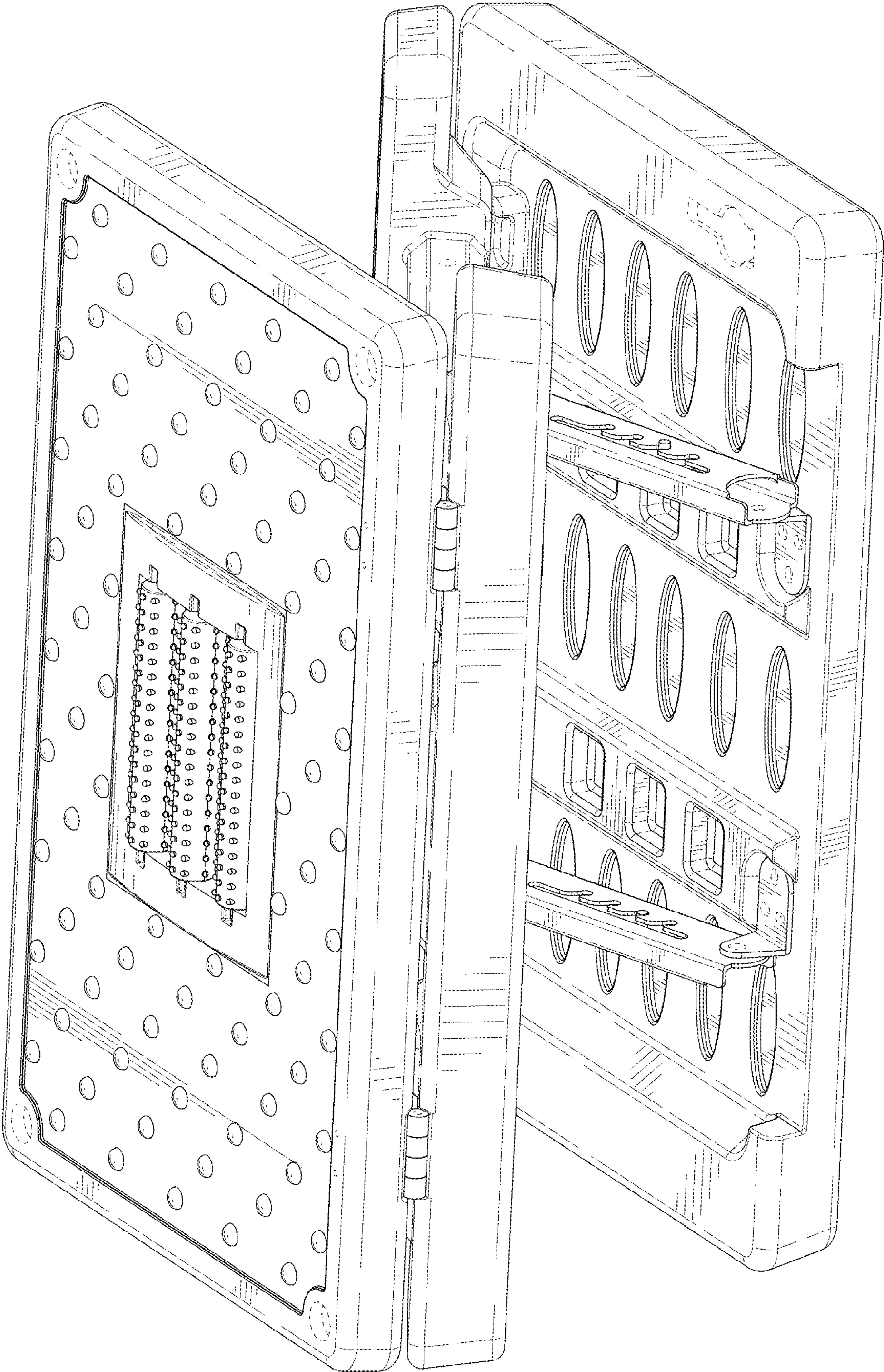


FIG. 9



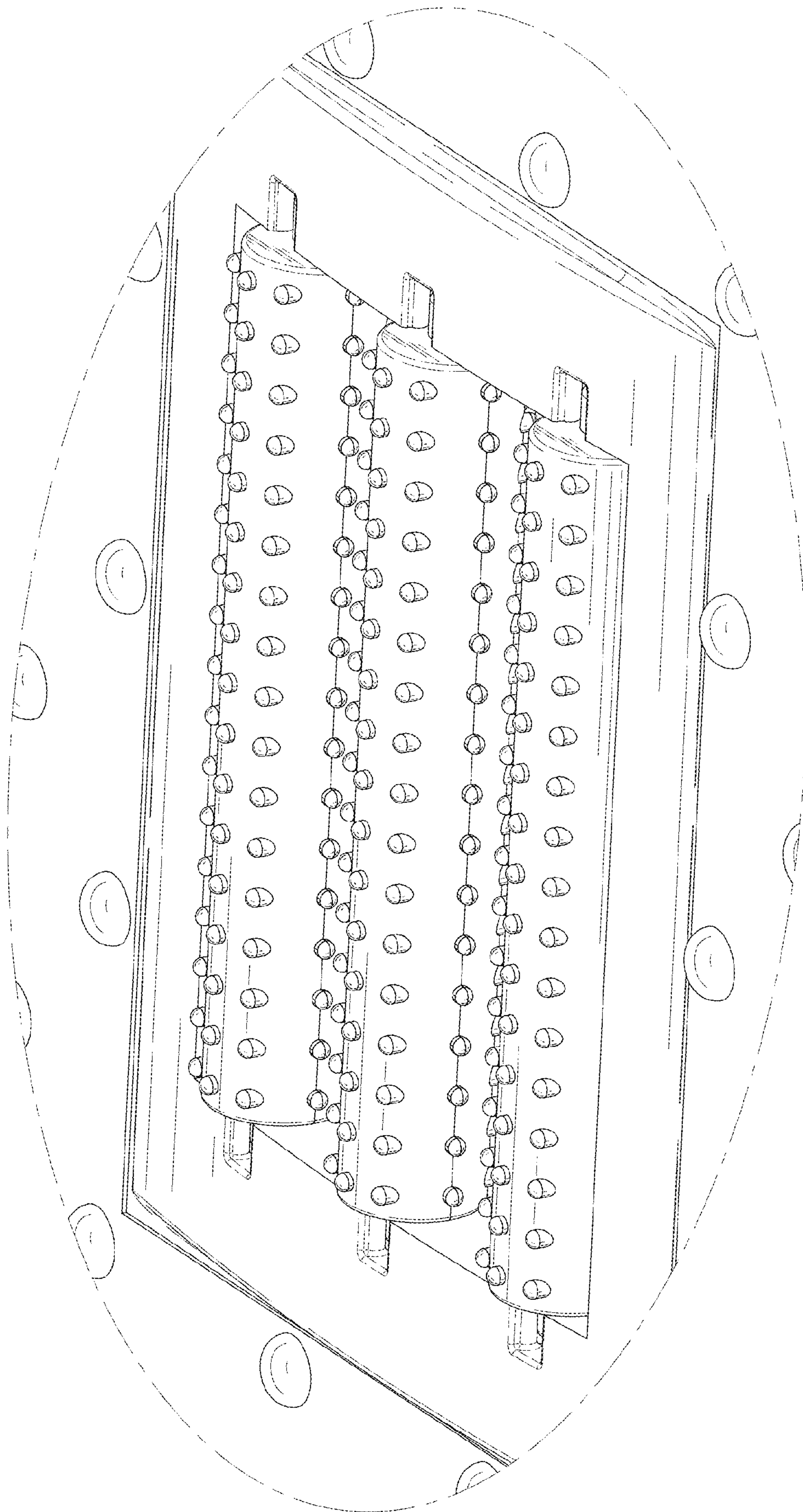


FIG. 10