



US00D968107S

(12) **United States Design Patent**
Johnson et al.

(10) **Patent No.:** **US D968,107 S**
(45) **Date of Patent:** **** Nov. 1, 2022**

(54) **STEP STOOL**

D434,855 S * 12/2000 Ullum D25/65
D447,572 S * 9/2001 Rosko D25/65
6,347,687 B1 * 2/2002 Alim E06C 1/393
182/159

(71) Applicant: **Polder Products, LLC**, Oxford, CT
(US)

(Continued)

(72) Inventors: **Luke Johnson**, Huntington, CT (US);
Kerry Cooper, Pleasantville, NY (US)

OTHER PUBLICATIONS

(73) Assignee: **Polder Products, LLC**, Oxford, CT
(US)

Easy-Close 2-Step Stool. [online] Retrieved May 31, 2022 from
URL: <https://polder.com/products/easy-close-2-step-stool?variant=31715308109913> (Year: 2022).*

(Continued)

(**) Term: **15 Years**

Primary Examiner — Vy N Koenig

(21) Appl. No.: **29/735,669**

(74) *Attorney, Agent, or Firm* — Duane Morris LLP

(22) Filed: **May 22, 2020**

(57) **CLAIM**

(51) **LOC (13) Cl.** **06-01**

The ornamental design for a step stool, as shown and described.

(52) **U.S. Cl.**

DESCRIPTION

USPC **D6/350**; D25/65

(58) **Field of Classification Search**

USPC D6/334, 335, 344, 348, 349–353,
D6/364–365, 691–691.9, 692–692.6, 694,
D6/698, 700, 707.2, 708, 708.17, 708.25,
D6/716–716.1, 716.11; D25/65
CPC ... A47C 12/00; A47C 13/00; A47C 16/02–04;
A47K 17/02; A47K 17/028

See application file for complete search history.

FIG. 1 is a perspective view of a step stool in an unfolded configuration;

FIG. 2 is a front view of the step stool illustrated in FIG. 1;

FIG. 3 is a rear view of the step stool illustrated in FIG. 1;

FIG. 4 is a first side view of the step stool illustrated in FIG. 1;

FIG. 5 is a second side view of the step stool illustrated in FIG. 1;

FIG. 6 is a top view of the step stool illustrated in FIG. 1;

FIG. 7 is a bottom of the step stool illustrated in FIG. 1;

FIG. 8 is a side view of the step stool illustrated in FIG. 1, in a folded configuration;

FIG. 9 is a front view of the folded step stool illustrated in FIG. 8; and,

FIG. 10 is a rear view of the folded step stool illustrated in FIG. 8.

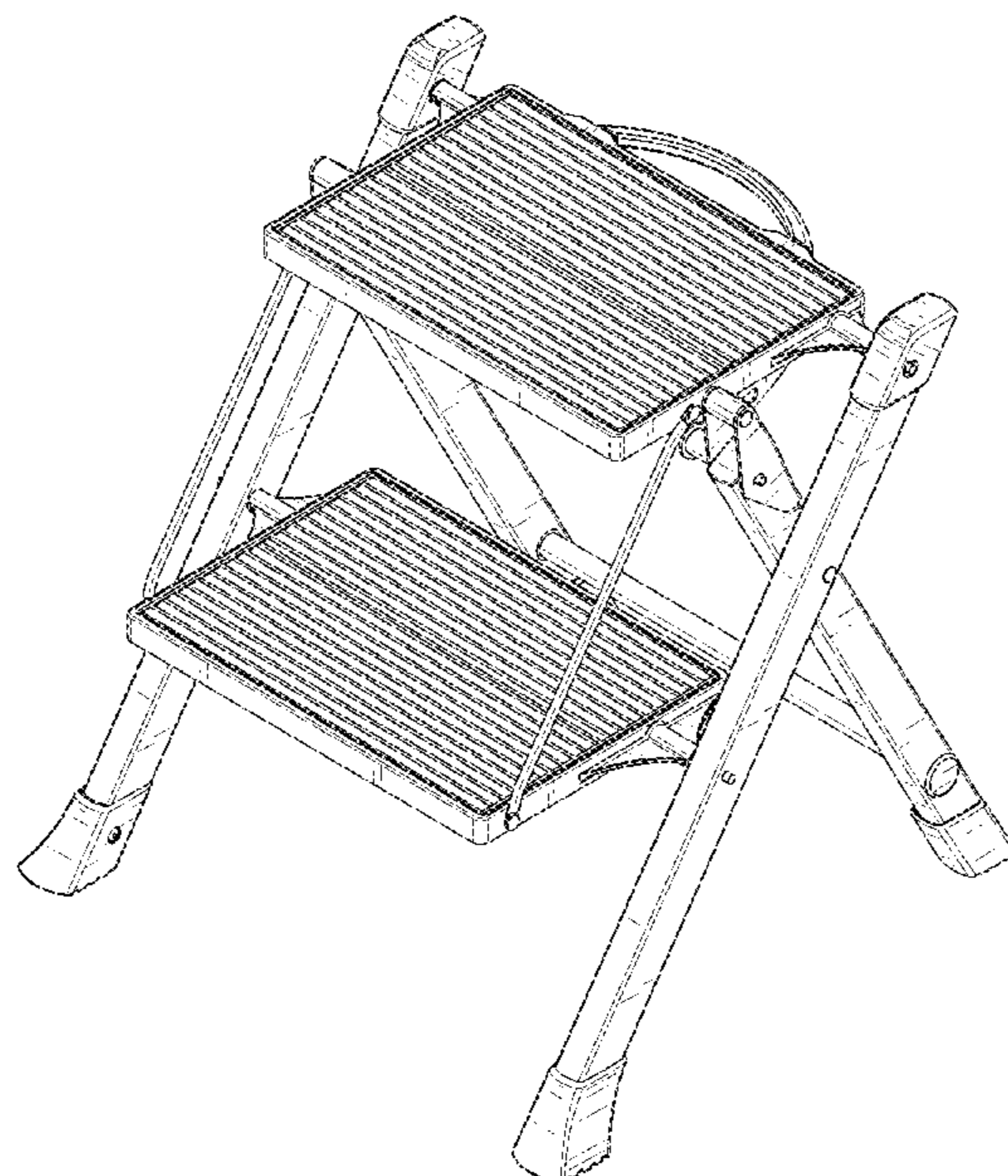
The broken lines in the drawings depict portions of the step stool that form no part of the claimed design.

(56) **References Cited**

U.S. PATENT DOCUMENTS

D132,676 S * 6/1942 Roberts D6/350
D225,493 S * 12/1972 Rossi D6/350
D236,244 S * 8/1975 Lay D6/350
D238,320 S * 1/1976 Smith et al. D6/350
4,502,564 A * 3/1985 Kümmerlin E06C 1/16
182/161
D307,800 S * 5/1990 Hradisky D6/350
5,762,163 A * 6/1998 Kain E06C 1/393
182/162

1 Claim, 10 Drawing Sheets



(56)

References Cited

U.S. PATENT DOCUMENTS

D458,385	S *	6/2002	Rosko	D25/64
D532,118	S *	11/2006	Reese	D25/65
D564,674	S *	3/2008	Farber	D25/65
D565,745	S *	4/2008	Meyers	D25/65
D594,135	S *	6/2009	Jane Stopp	D25/65
D764,073	S *	8/2016	Wang	D25/65
D838,386	S *	1/2019	Woodward	D25/64
2008/0251319	A1 *	10/2008	Meyers	E06C 1/397
					182/152
2011/0209946	A1 *	9/2011	Leng	E06C 1/393
					182/129

OTHER PUBLICATIONS

Hailo MK80 ComfortLine | Aluminum step stool. [online] First available on Amazon Oct. 30, 2014. Retrieved from URL: https://www.amazon.com/Hailo-ComfortLine-integrated-unlocking-Soft-grip/dp/B00IPYS0NC/ref=asc_df_B00IPYS0NC (Year: 2014).*

Campmoon Small Step Ladder . . . [online] First available on Amazon.com.au May 8, 2020. Retrieved from URL: <https://www.amazon.com.au/CAMPMOON-Ladder-Kitchen-Folding-Anti-Slip/dp/B088D5F6PH> (Year: 2020).*

* cited by examiner

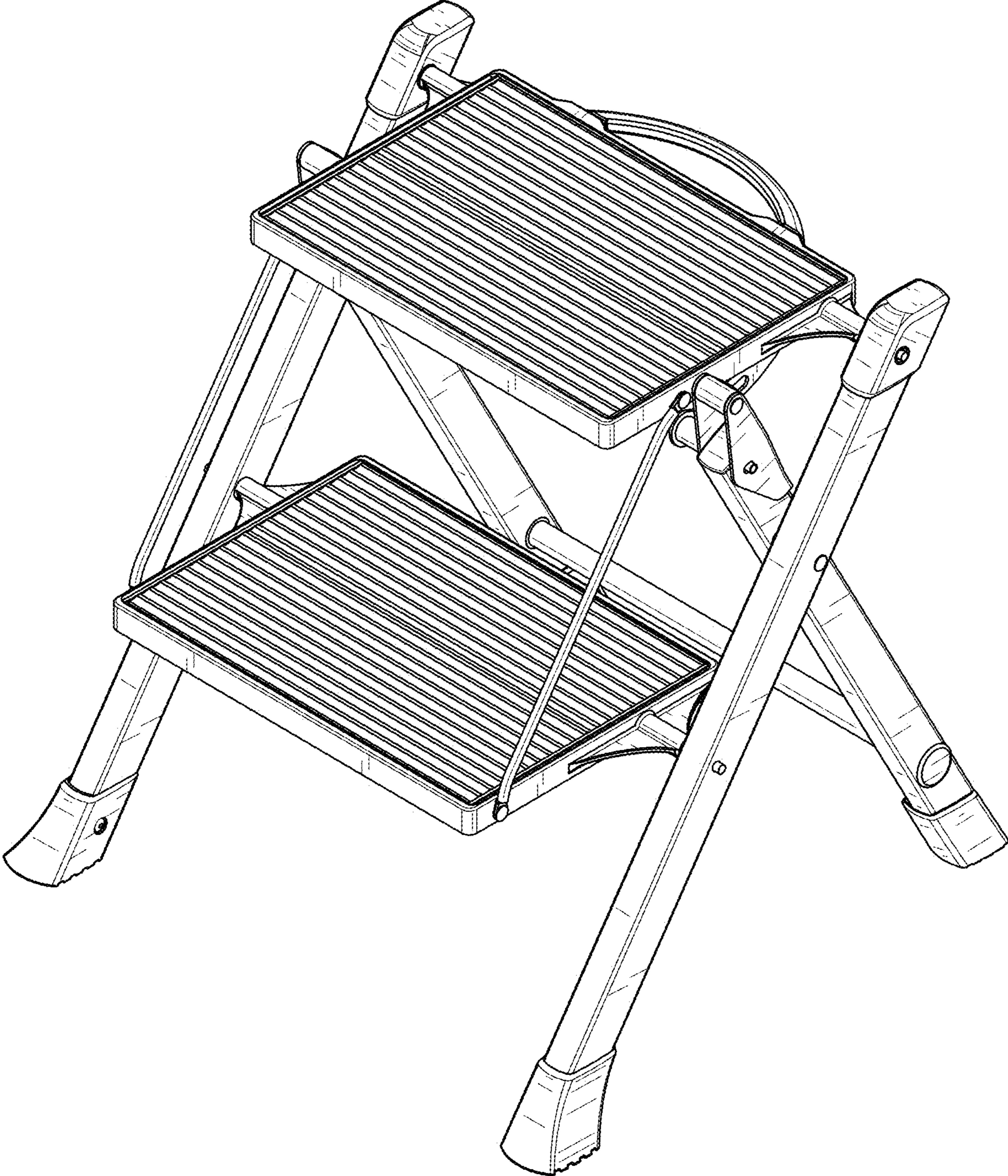


FIG. 1

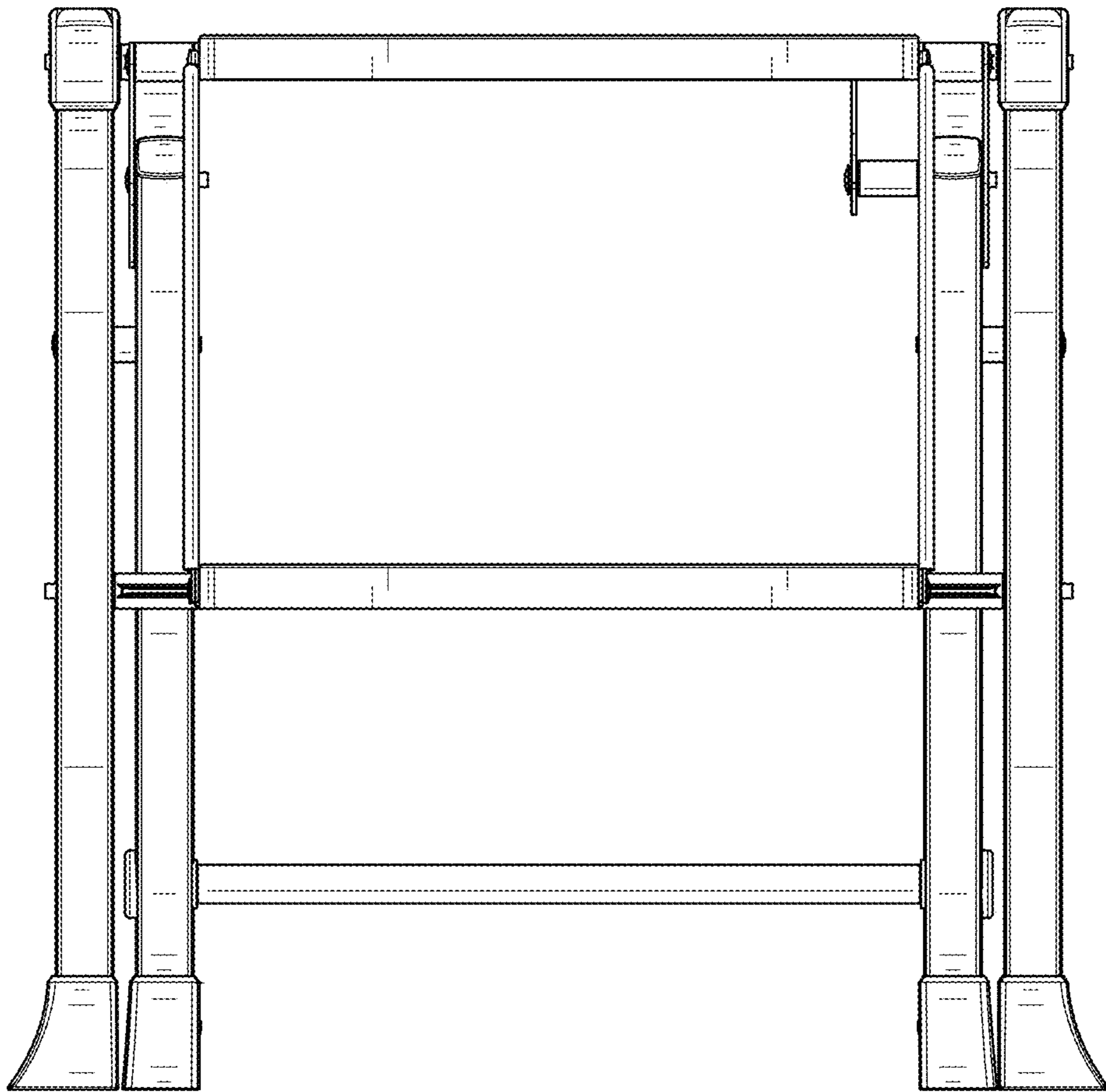


FIG. 2

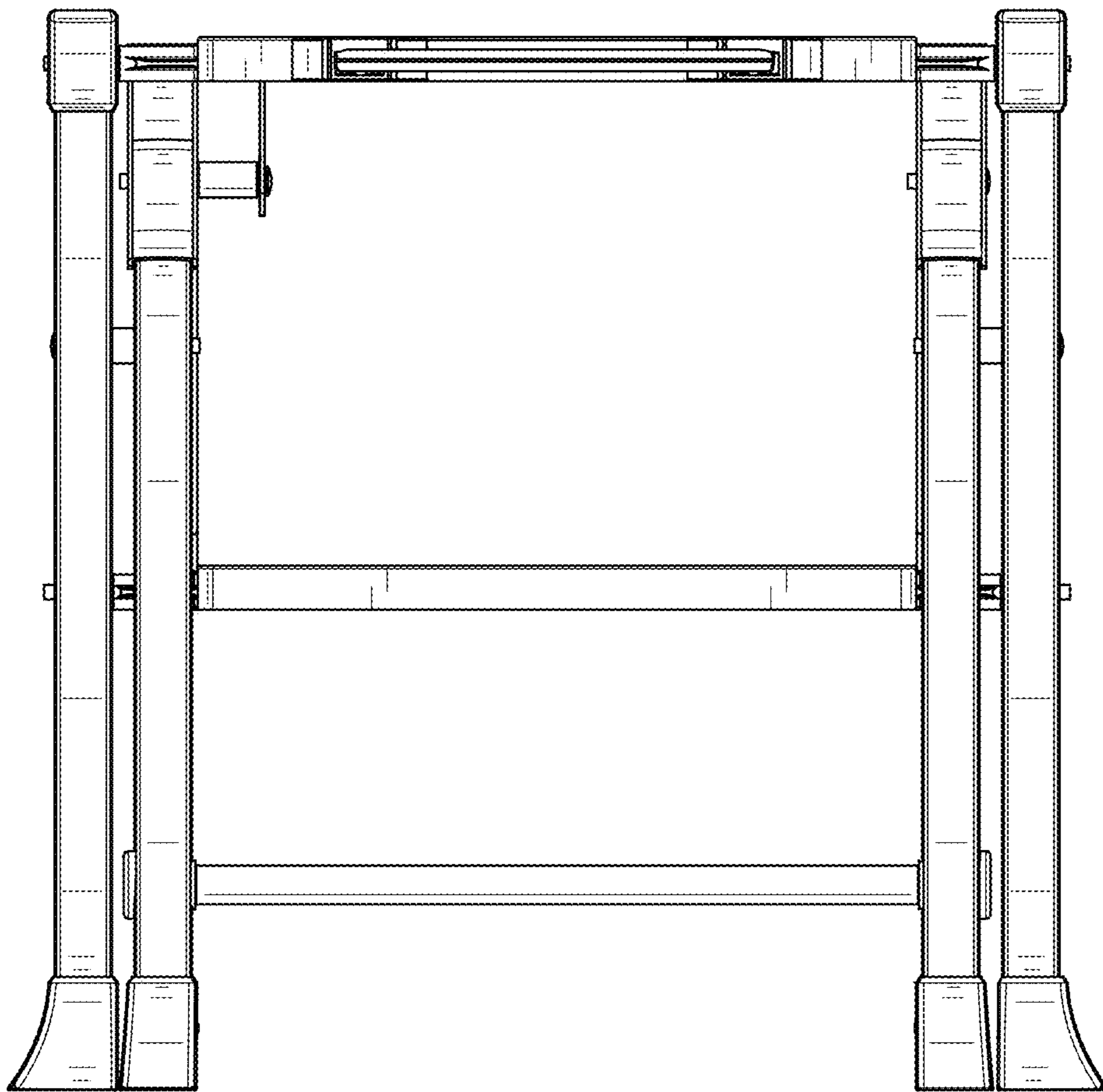


FIG. 3

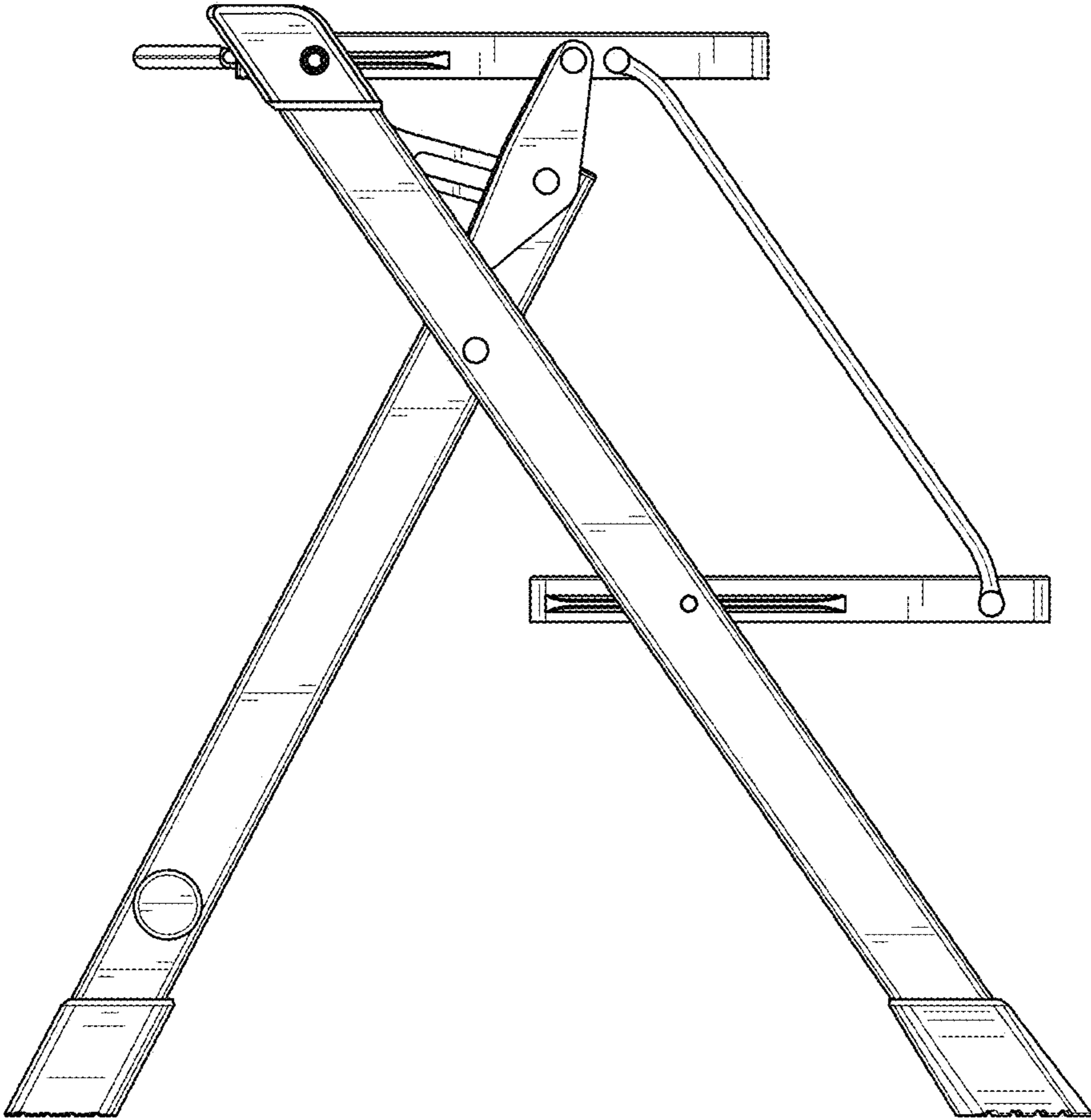


FIG. 4

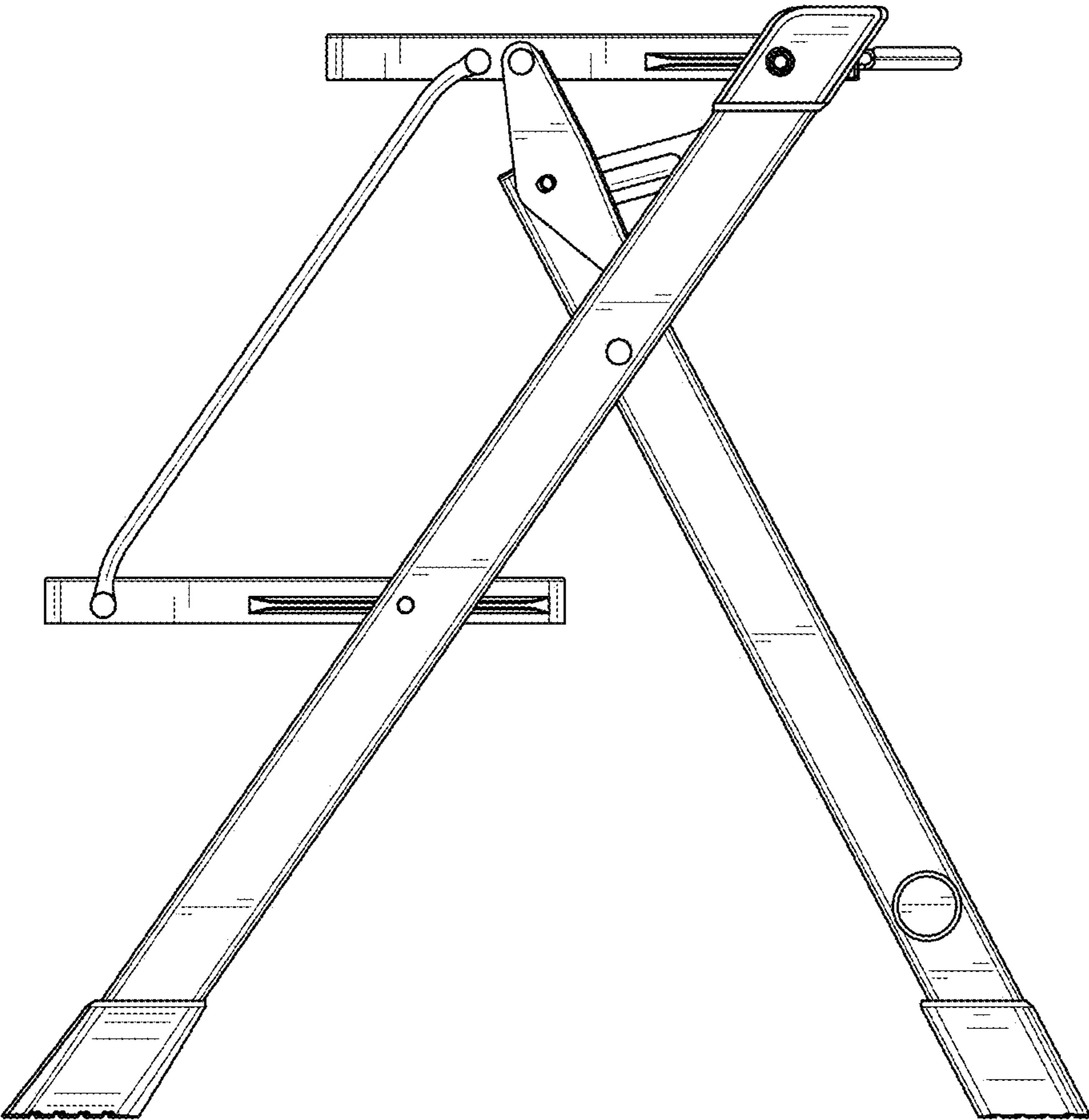


FIG. 5

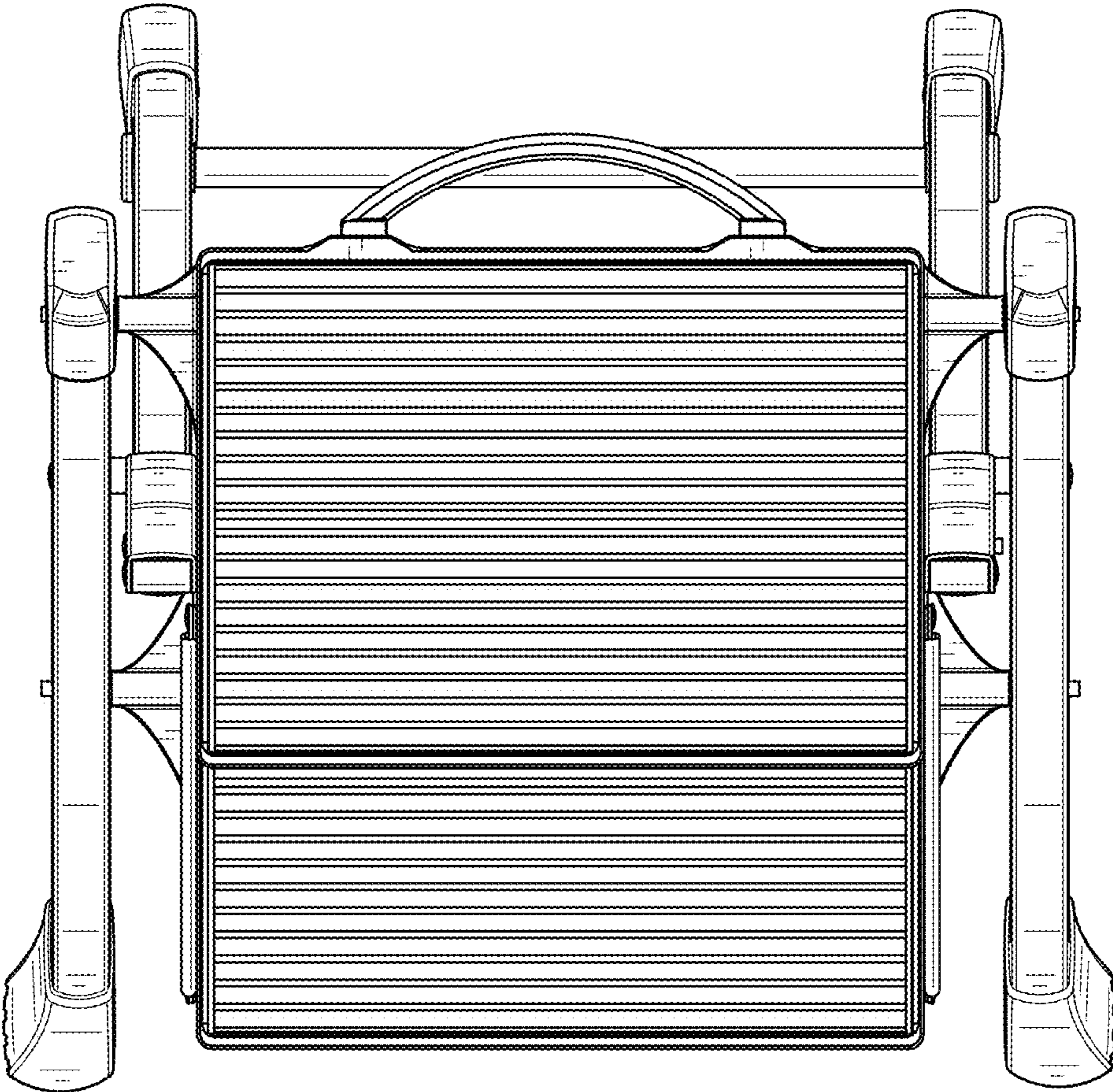


FIG. 6

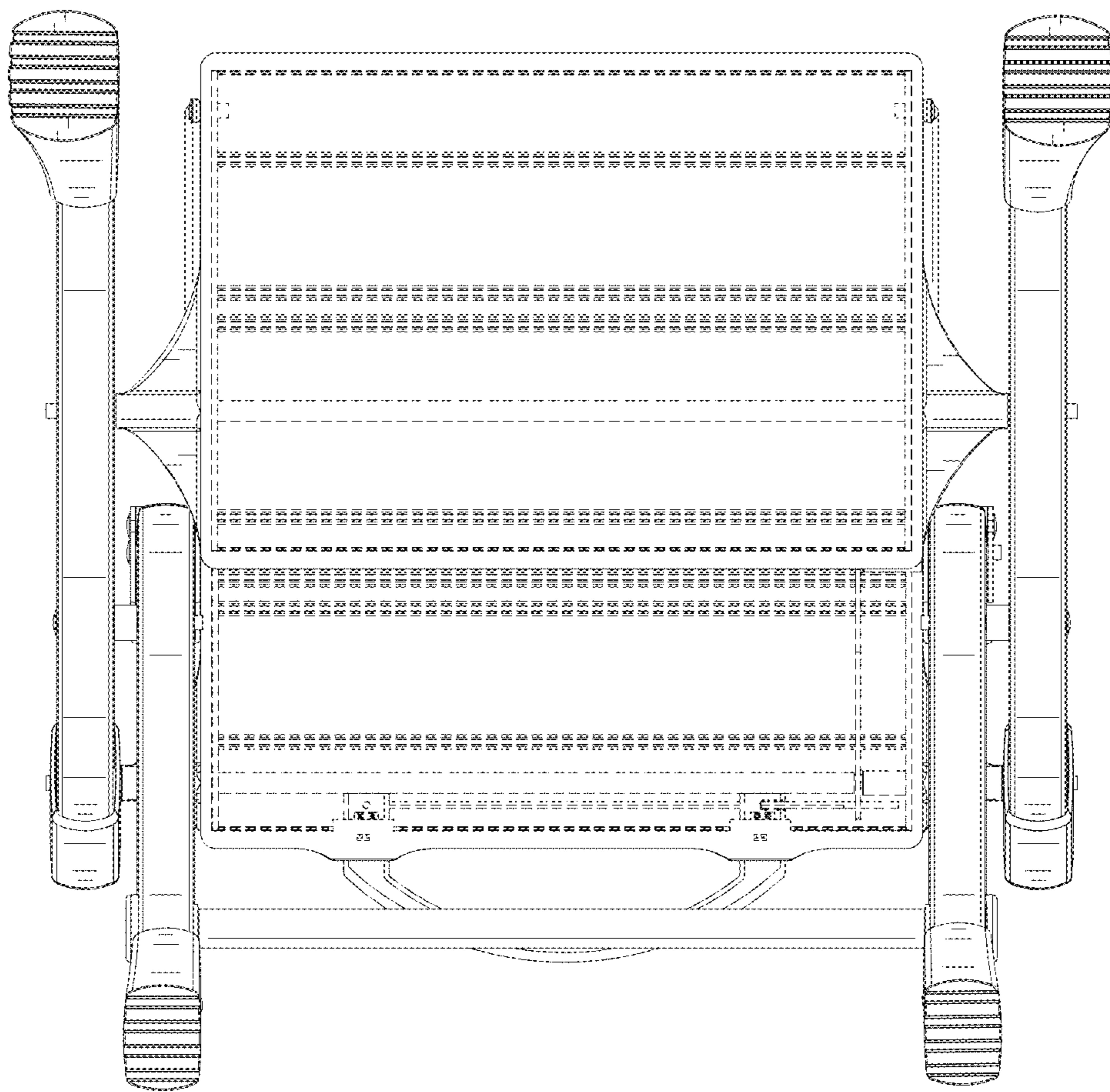


FIG. 7

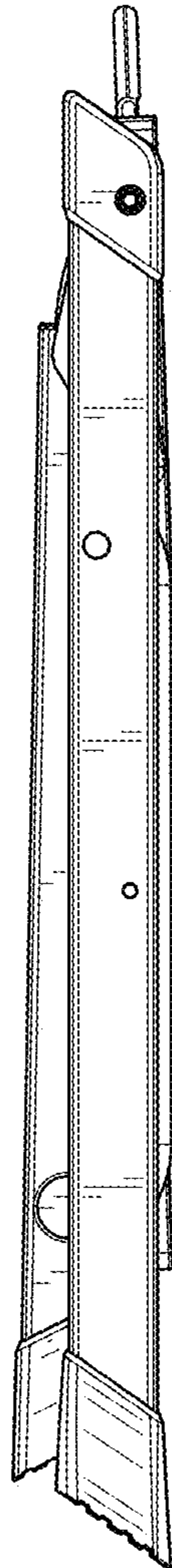


FIG. 8

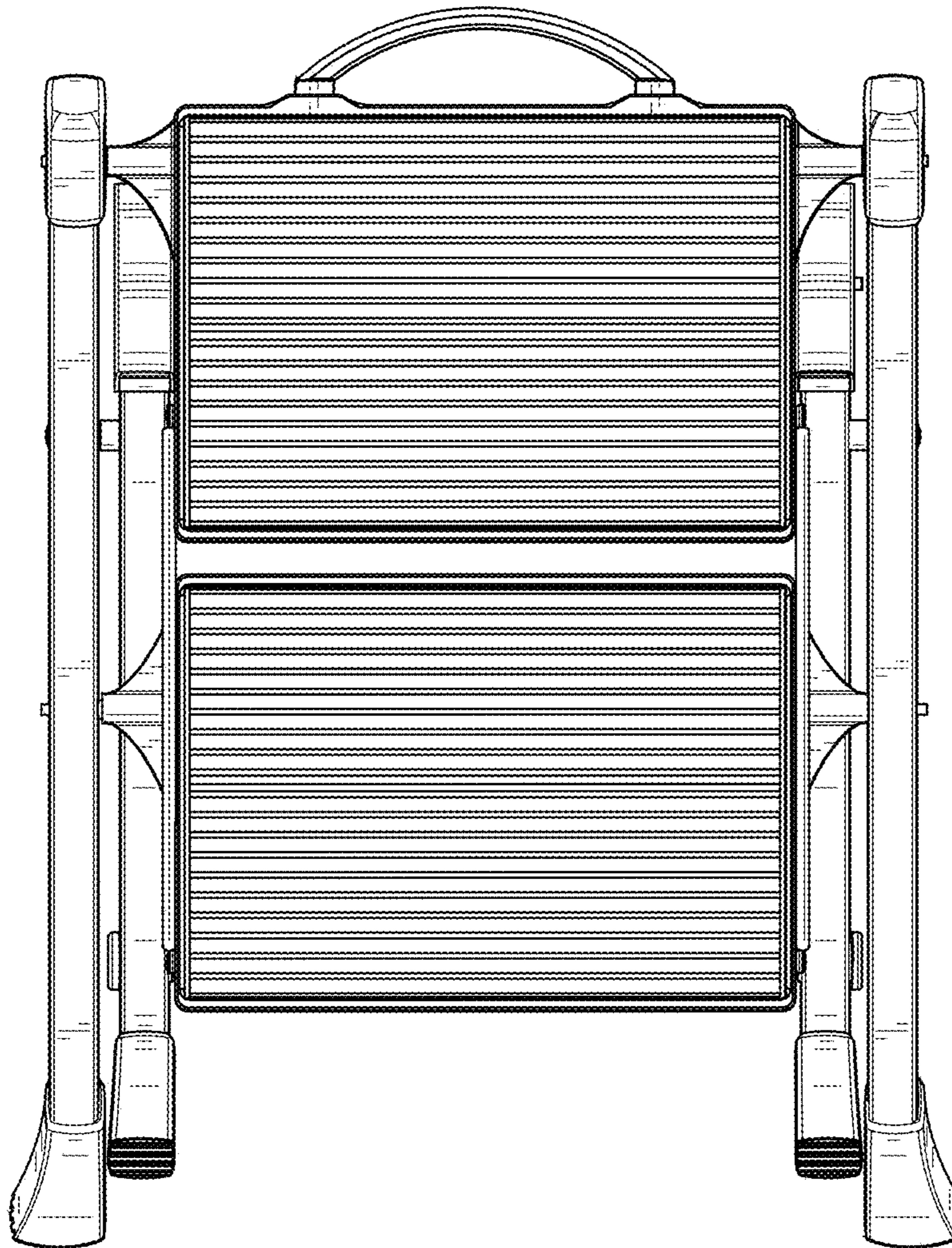


FIG. 9

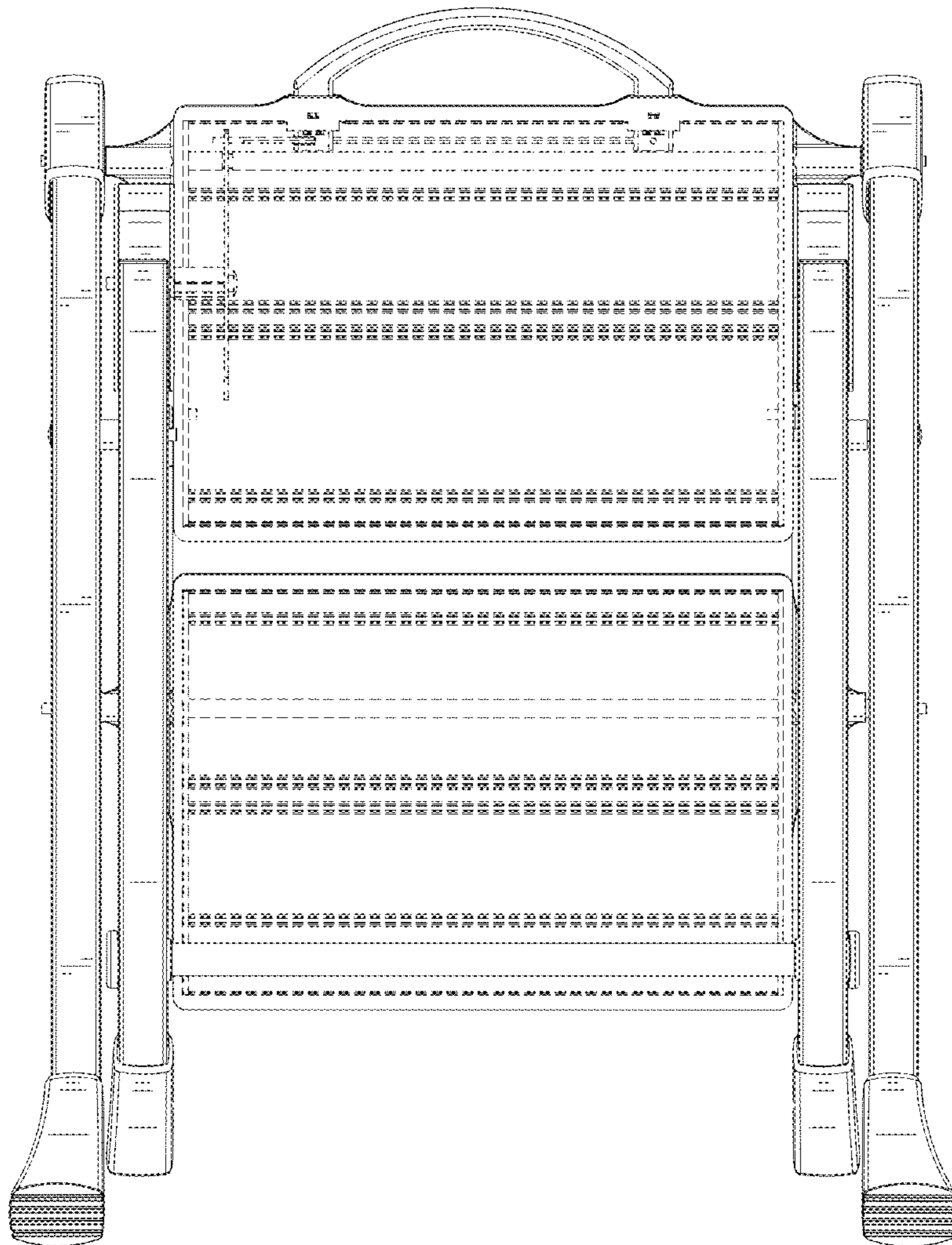


FIG. 10