



US00D968104S

(12) **United States Design Patent** (10) **Patent No.:** **US D968,104 S**  
**Casnovsky** (45) **Date of Patent:** **\*\* Nov. 1, 2022**

(54) **TABLE AND BENCH ASSEMBLY**  
(71) Applicant: **William Casnovsky**, Elgin, TX (US)  
(72) Inventor: **William Casnovsky**, Elgin, TX (US)  
(\*\*) Term: **15 Years**  
(21) Appl. No.: **29/727,811**  
(22) Filed: **Mar. 13, 2020**  
(51) **LOC (13) Cl.** ..... **06-01**  
(52) **U.S. Cl.**  
USPC ..... **D6/337**  
(58) **Field of Classification Search**  
USPC ..... D6/334–338, 340–343, 349–353, 355,  
D6/358, 360, 364–365, 367, 370,  
D6/371–373, 381, 596, 597, 601, 604,  
D6/691–691.9, 692–692.6, 708.2, 708,  
D6/716–716.1  
CPC ..... A47C 4/02; A47C 4/021; A47C 4/024;  
A47C 4/025; A47C 4/027; A47C 4/03;  
A47C 4/08; A47C 7/16; A47C 11/00  
See application file for complete search history.

(56) **References Cited**  
**U.S. PATENT DOCUMENTS**  
D235,394 S \* 6/1975 Ruth ..... 297/157.1  
D246,683 S \* 12/1977 Cagle ..... D6/370  
D248,903 S \* 8/1978 O'Connor ..... D6/337  
D425,320 S \* 5/2000 Lindsay ..... D6/335  
D699,452 S \* 2/2014 Clodfelter ..... D6/338  
(Continued)

**FOREIGN PATENT DOCUMENTS**  
EM 004539864-0001 \* 12/2017

**OTHER PUBLICATIONS**  
Signature Design by Ashley Kelton Contemporary Coffee Table  
with 2 Upholstered Nesting Stools [online], [site visited Mar. 10,

2022]. Available from internet, URL: <<https://www.amazon.com/Ashley-Furniture-Signature-Design-Cocktail/dp/B006YVGZBW?th=1>> (Year: 2018).\*

(Continued)

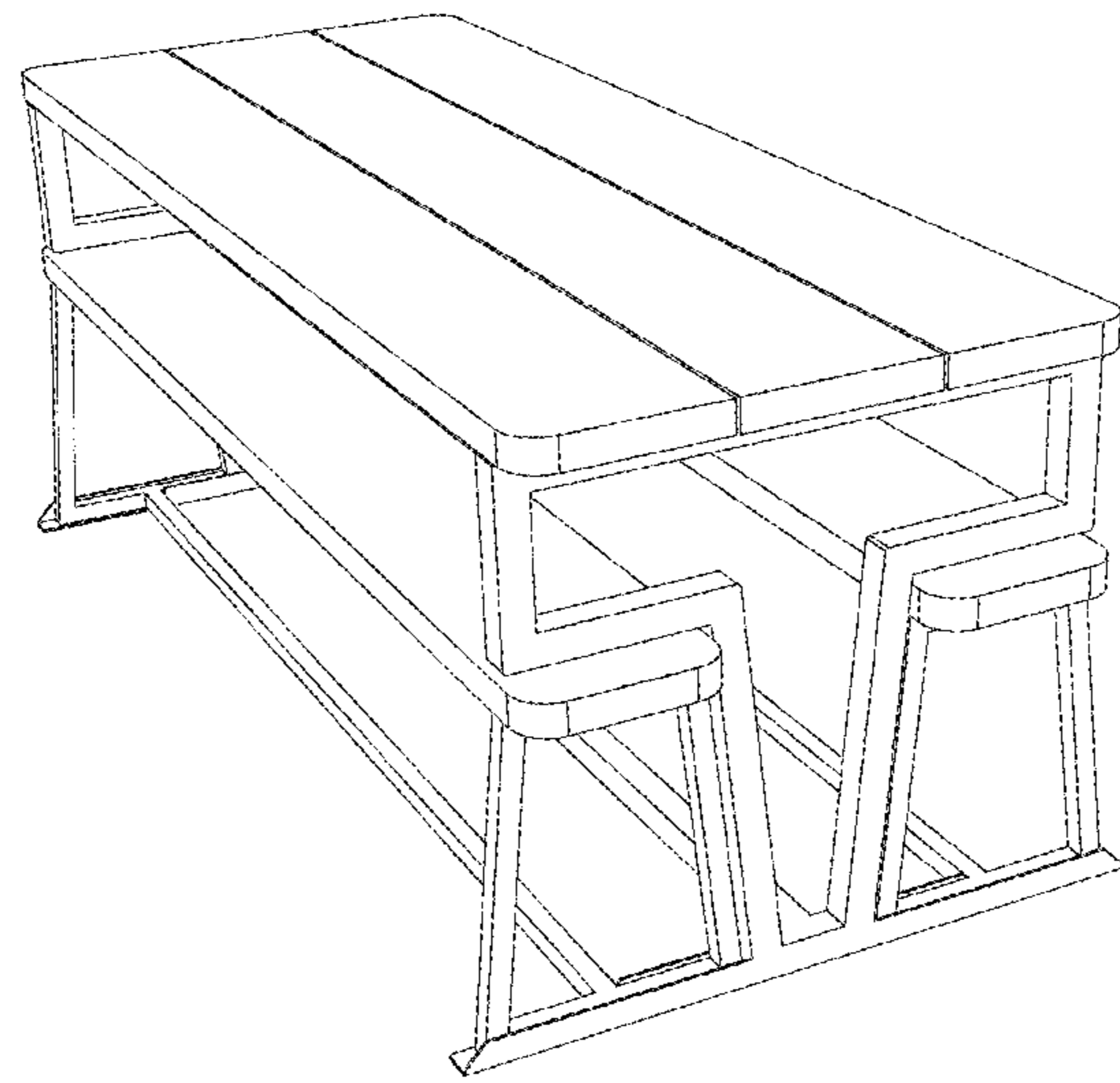
*Primary Examiner* — Cynthia Ramirez  
*Assistant Examiner* — Xavier Marti-Santos  
(74) *Attorney, Agent, or Firm* — Pierson Intellectual  
Property LLC

(57) **CLAIM**  
The ornamental design for a table and bench assembly, as  
shown and described.

**DESCRIPTION**

FIG. 1 is a perspective view of a table and bench assembly  
showing my new design thereof;  
FIG. 2 a back view thereof,  
FIG. 3 a front view thereof,  
FIG. 4 a left side view thereof,  
FIG. 5 a right side view thereof,  
FIG. 6 a top view thereof,  
FIG. 7 a bottom view thereof,  
FIG. 8 is a perspective view of the bench of the table  
assembly and bench assembly, shown separately for ease of  
disclosure;  
FIG. 9 a back view thereof,  
FIG. 10 a front view thereof,  
FIG. 11 a left side view thereof,  
FIG. 12 a right side view thereof,  
FIG. 13 a top view thereof,  
FIG. 14 a bottom view of the first portion thereof,  
FIG. 15 is a perspective view of the table of the table  
assembly and bench assembly, shown separately for ease of  
disclosure;  
FIG. 16 a back view thereof,  
FIG. 17 a front view thereof,  
FIG. 18 a left side view thereof,  
FIG. 19 a right side view thereof,  
FIG. 20 a top view thereof; and,  
FIG. 21 a bottom view thereof.

**1 Claim, 21 Drawing Sheets**



(56)

**References Cited**

U.S. PATENT DOCUMENTS

D718,541 S \* 12/2014 Pedersen ..... D6/337  
D812,386 S \* 3/2018 Asner ..... D6/337  
D866,228 S \* 11/2019 Pedersen ..... D6/675.1  
D874,839 S \* 2/2020 Krouwel ..... D6/337  
D902,609 S \* 11/2020 Contois ..... D6/337  
D920,690 S \* 6/2021 Leng ..... D6/353  
D929,754 S \* 9/2021 Kong ..... D6/337

OTHER PUBLICATIONS

Town Wood Outdoor Dining Table Set [online], [site visited Mar. 10, 2022]. Available from internet, URL: <[https://www.mmffurniture.com/town-wood-outdoor-dining-table-set-set-of-3/?utm\\_source=googleshopping&utm\\_medium=cse&gclid=CjwKCAiA4KaRBhBdEiwAZi1zzrgHL3Mafp0Bo6nx6f0mlKSEe03JJilPxCs4HMxs4NETm39U8hXGwxoCf\\_oQAvD\\_BwE](https://www.mmffurniture.com/town-wood-outdoor-dining-table-set-set-of-3/?utm_source=googleshopping&utm_medium=cse&gclid=CjwKCAiA4KaRBhBdEiwAZi1zzrgHL3Mafp0Bo6nx6f0mlKSEe03JJilPxCs4HMxs4NETm39U8hXGwxoCf_oQAvD_BwE)>. (Year: 2022).\*

\* cited by examiner

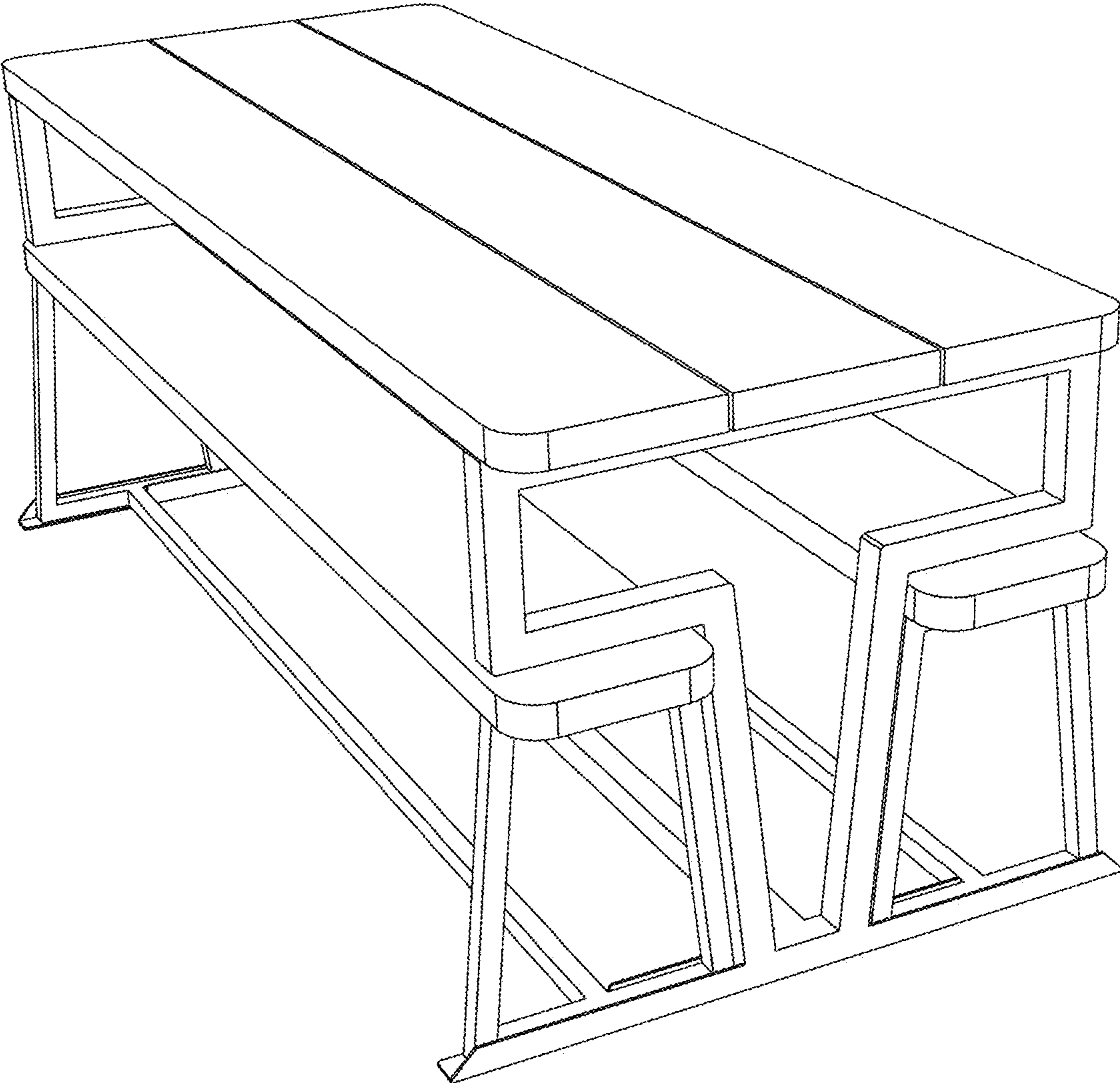


FIG. 1

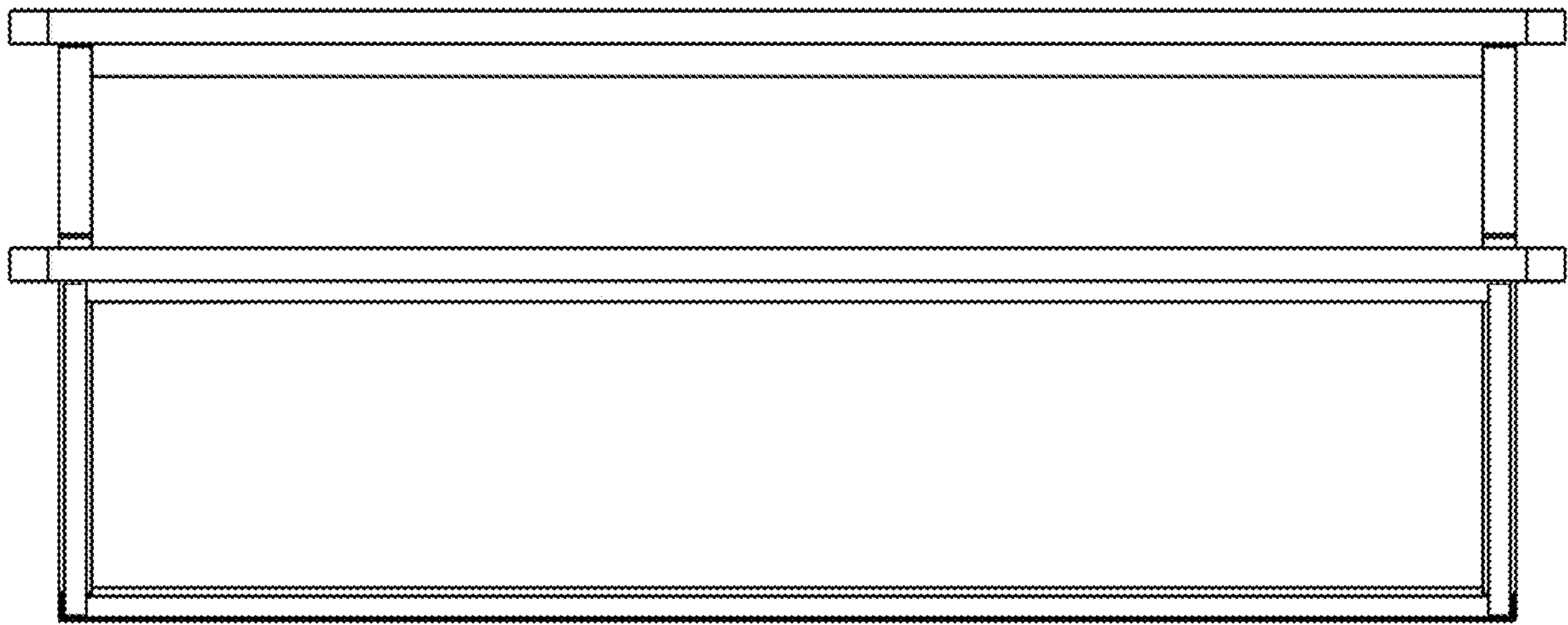


FIG. 2

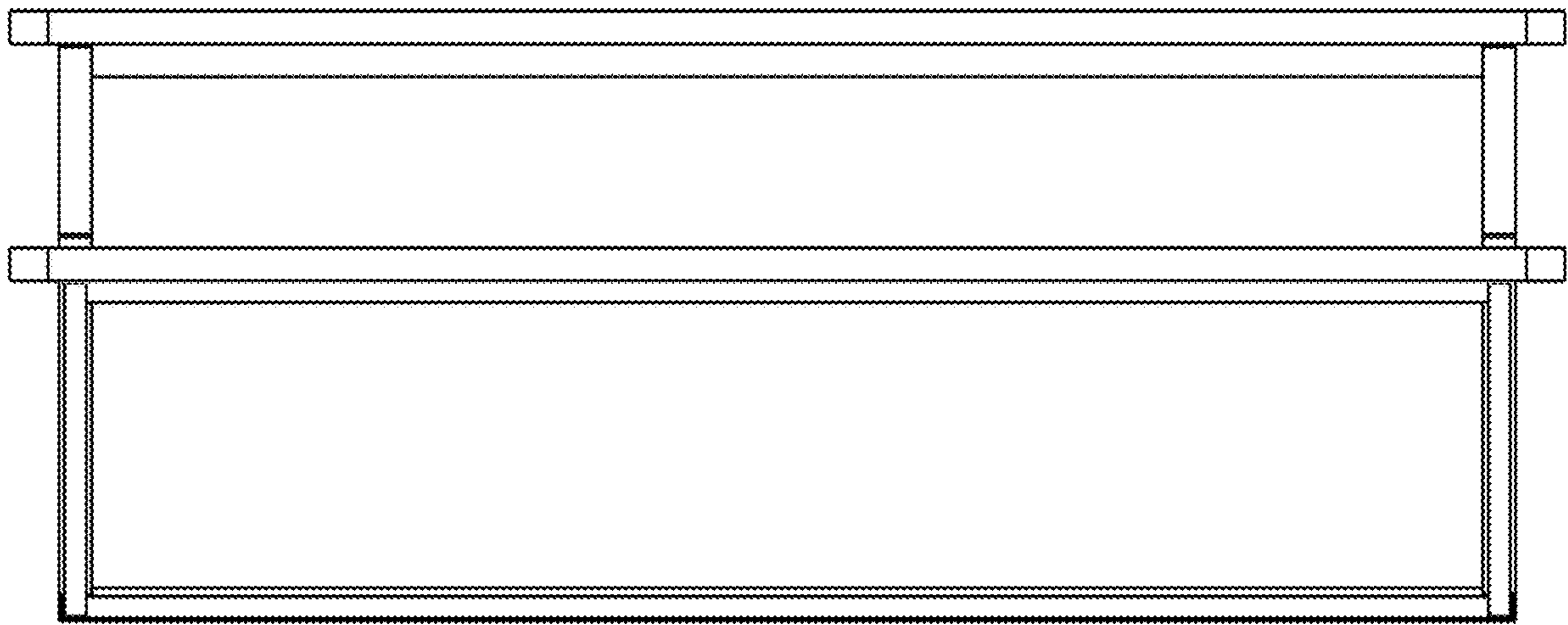


FIG. 3



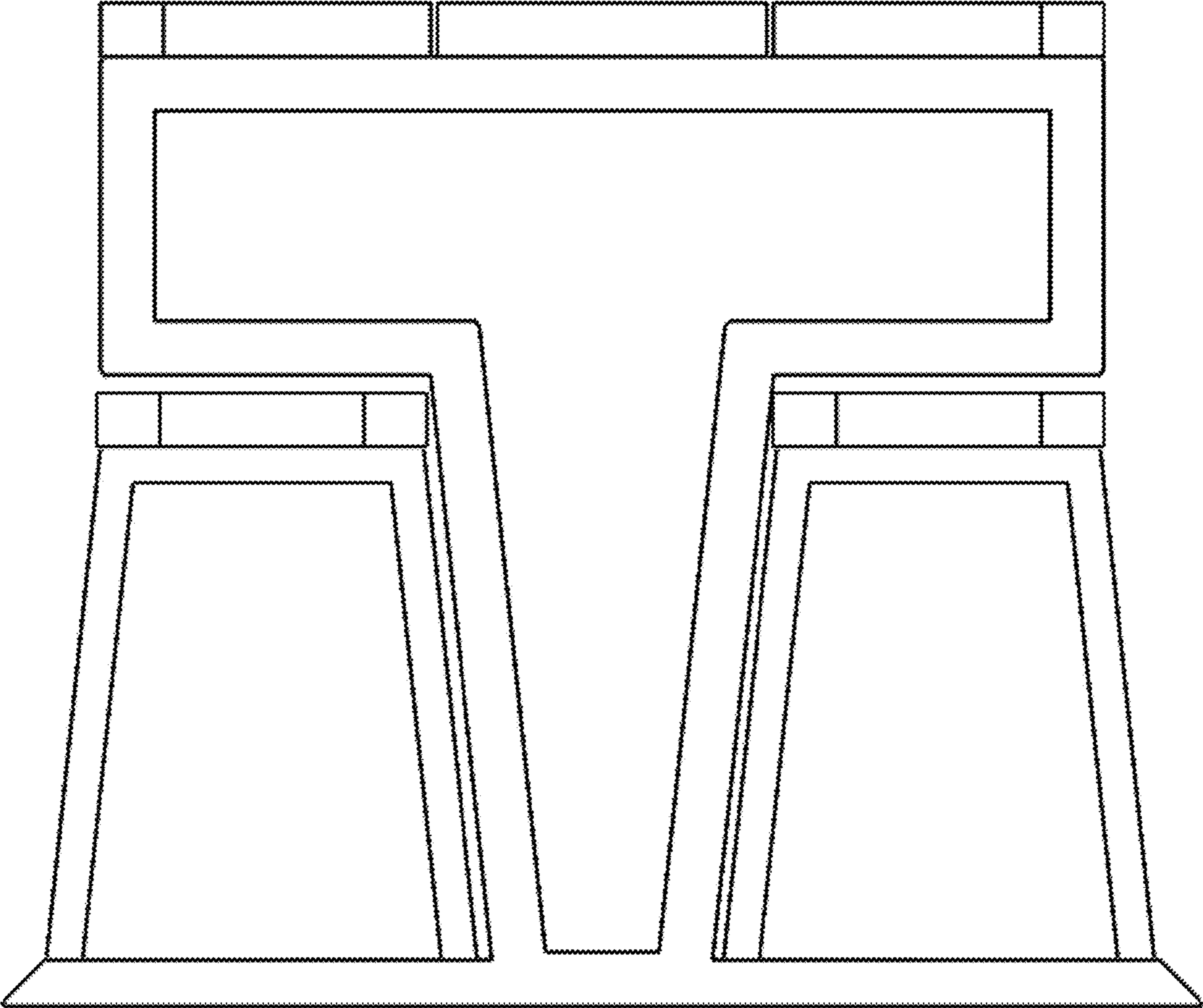


FIG. 4

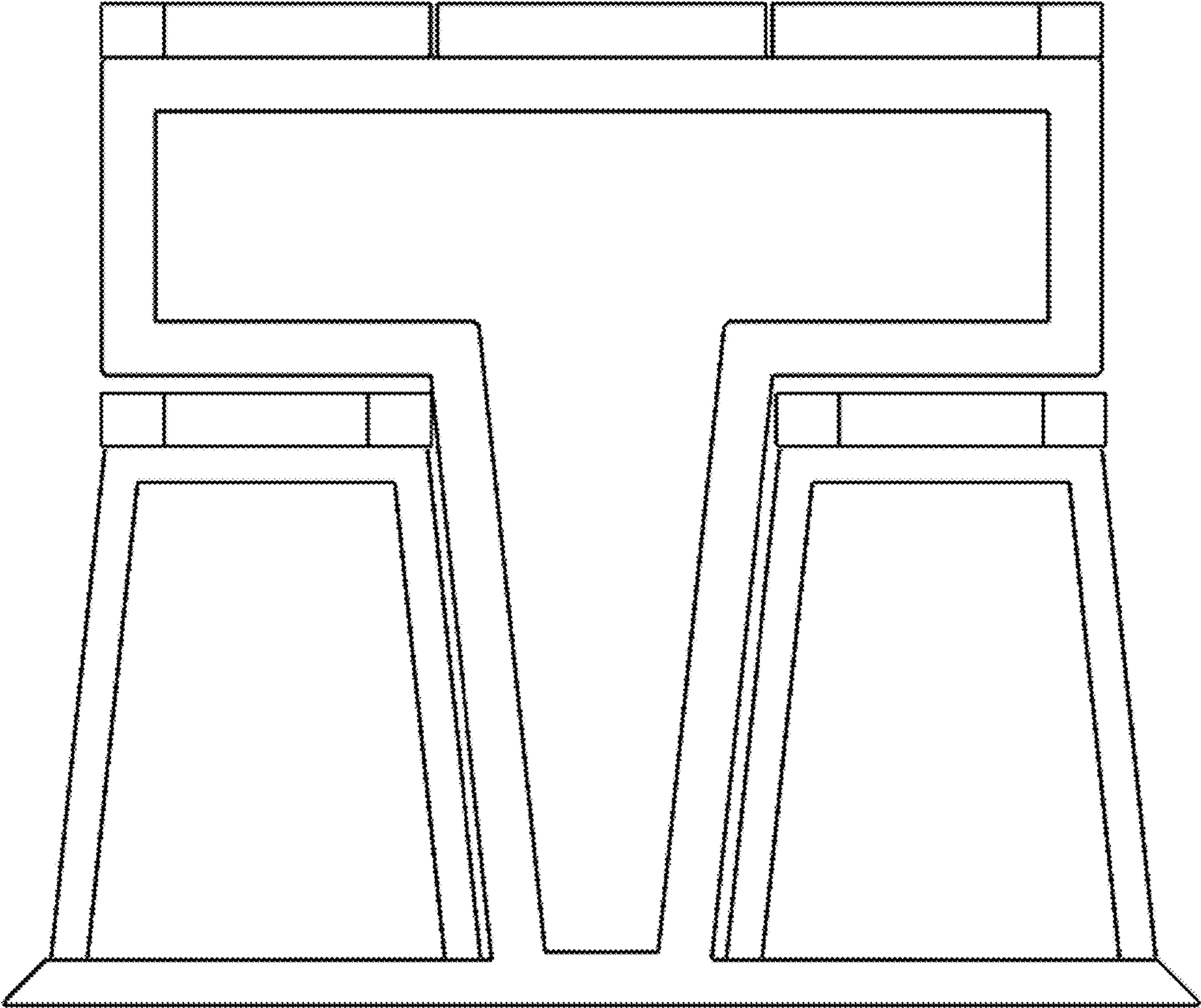


FIG. 5

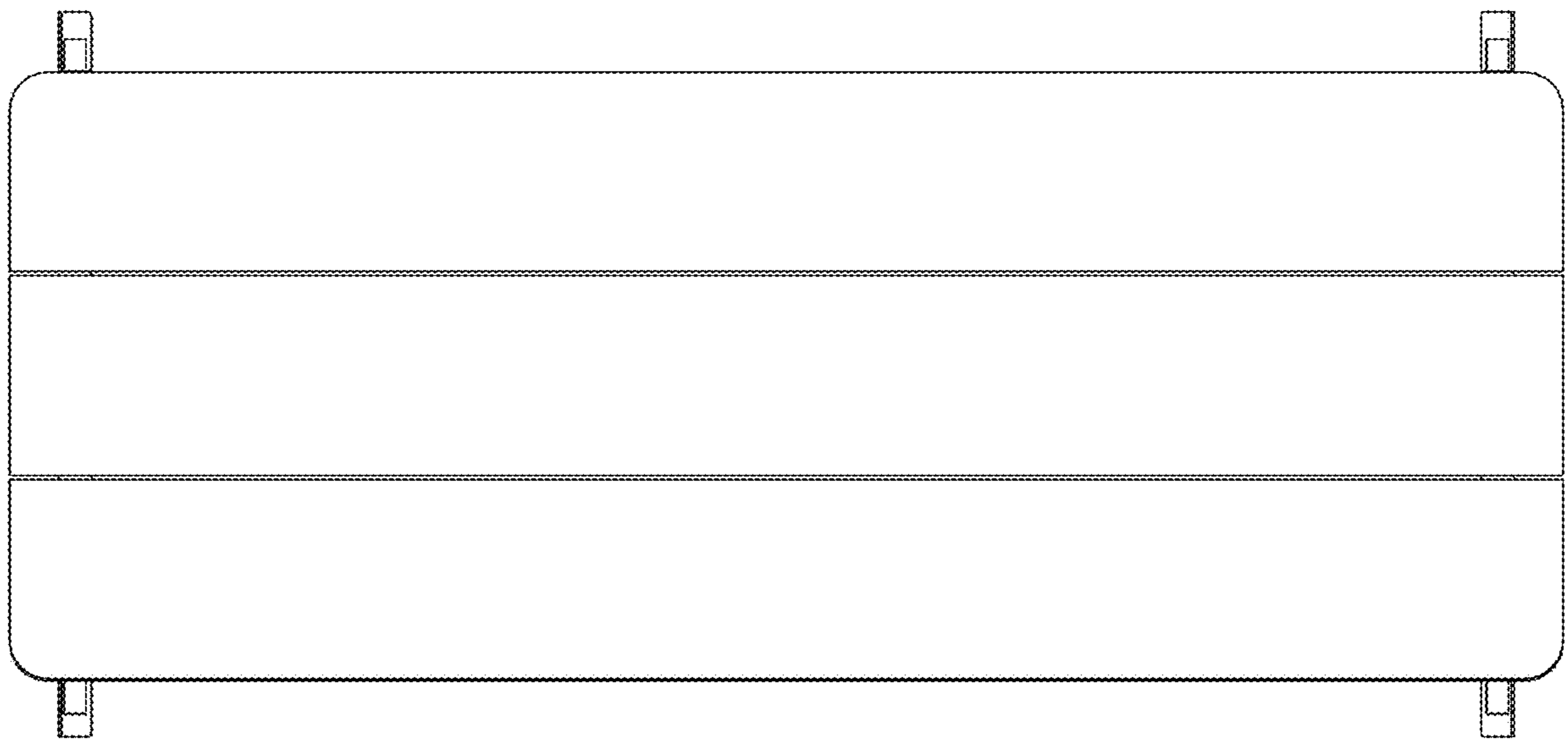


FIG. 6



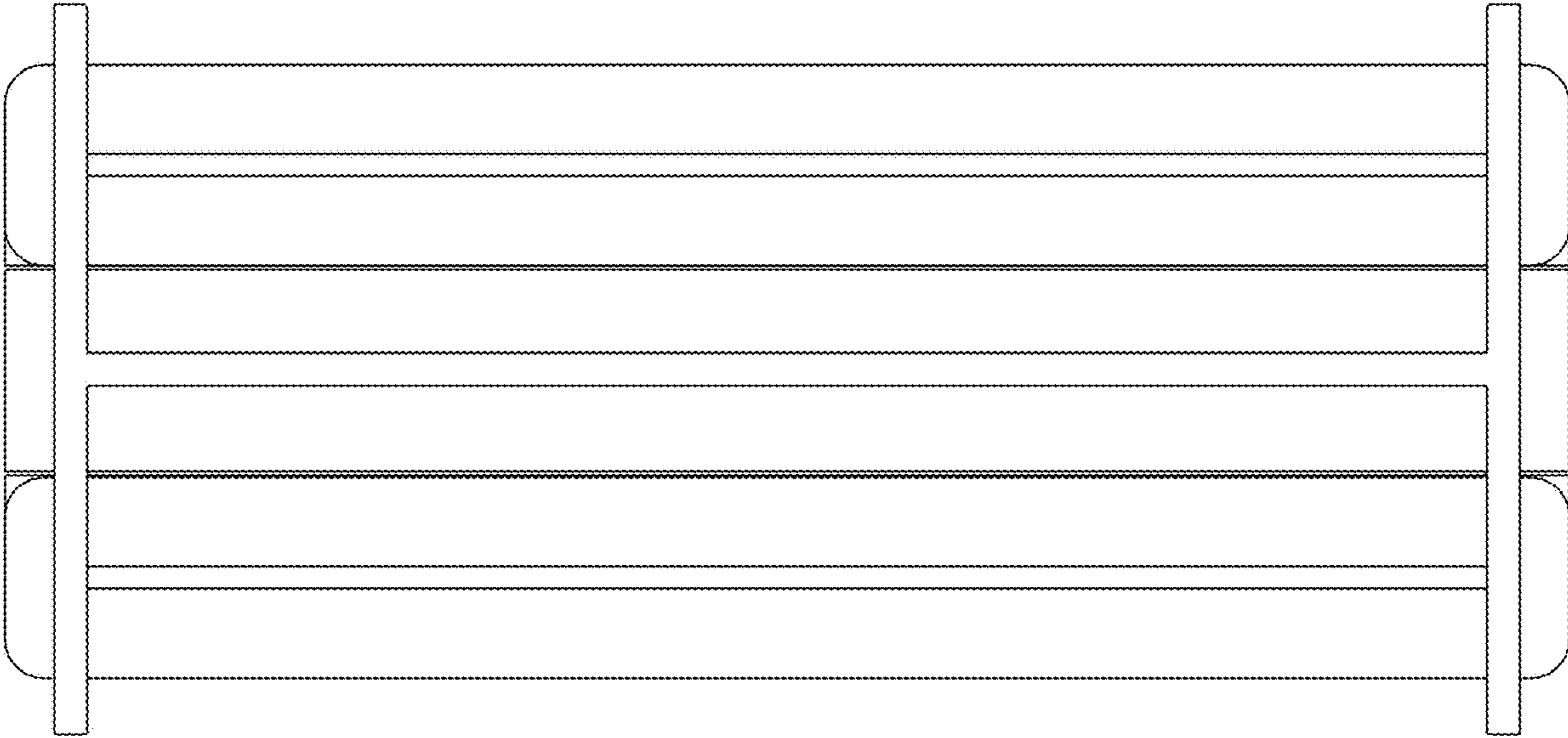


FIG. 7

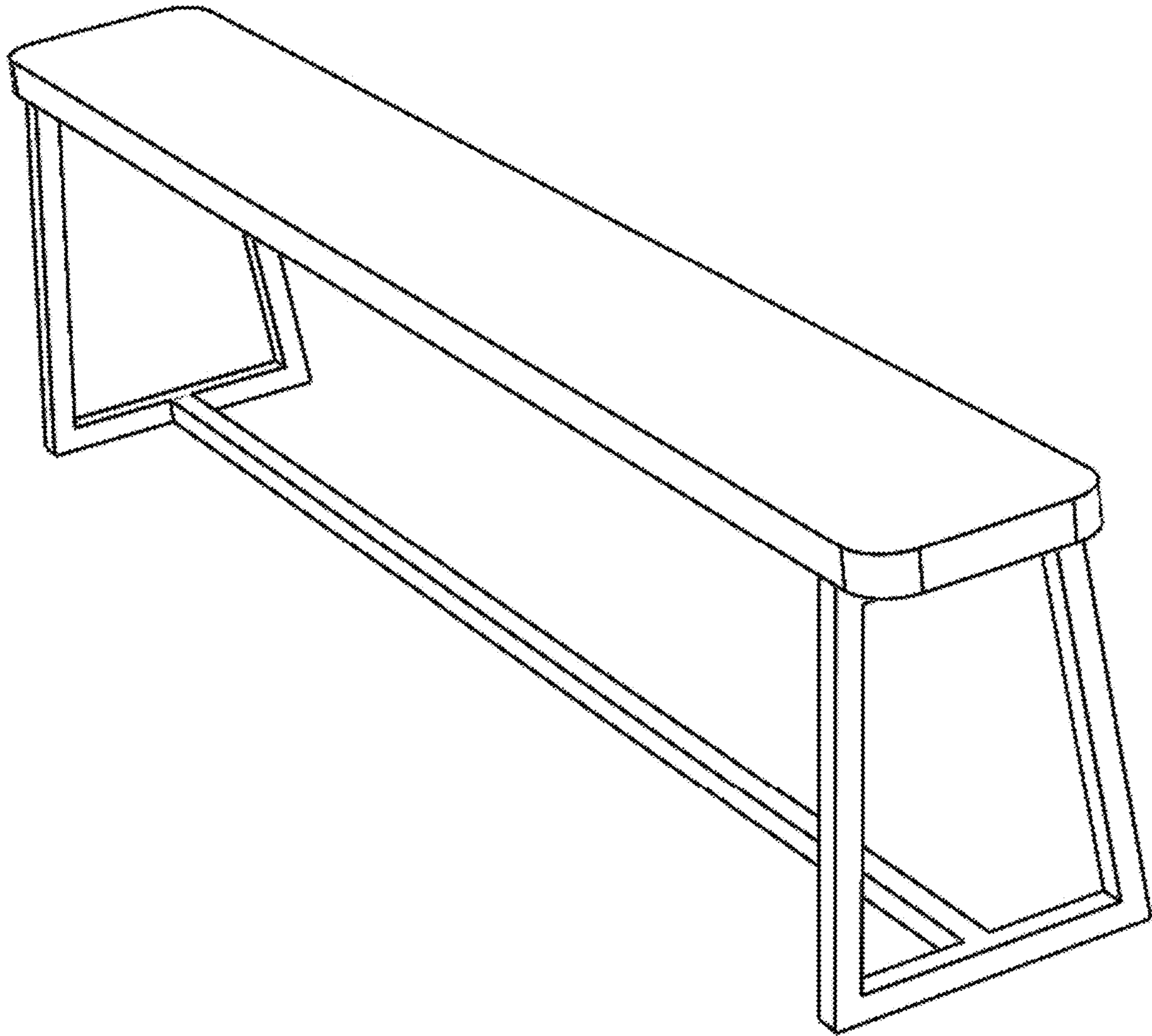


FIG. 8

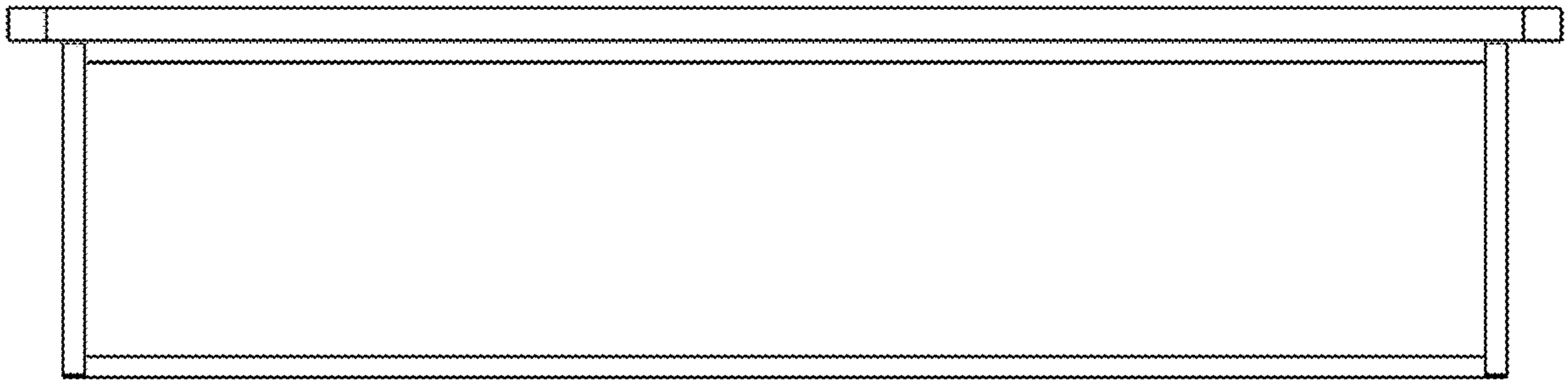


FIG. 9

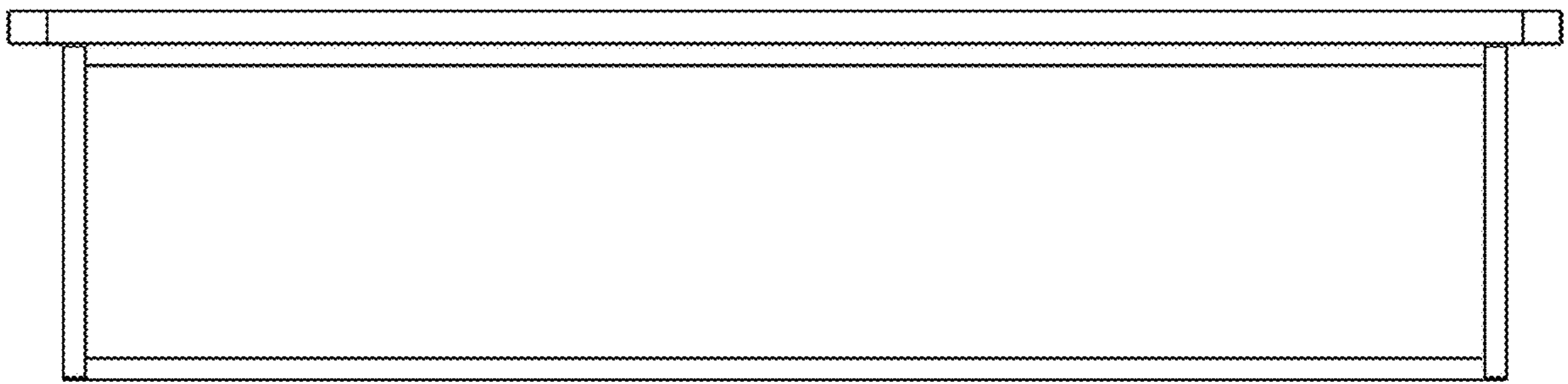


FIG. 10

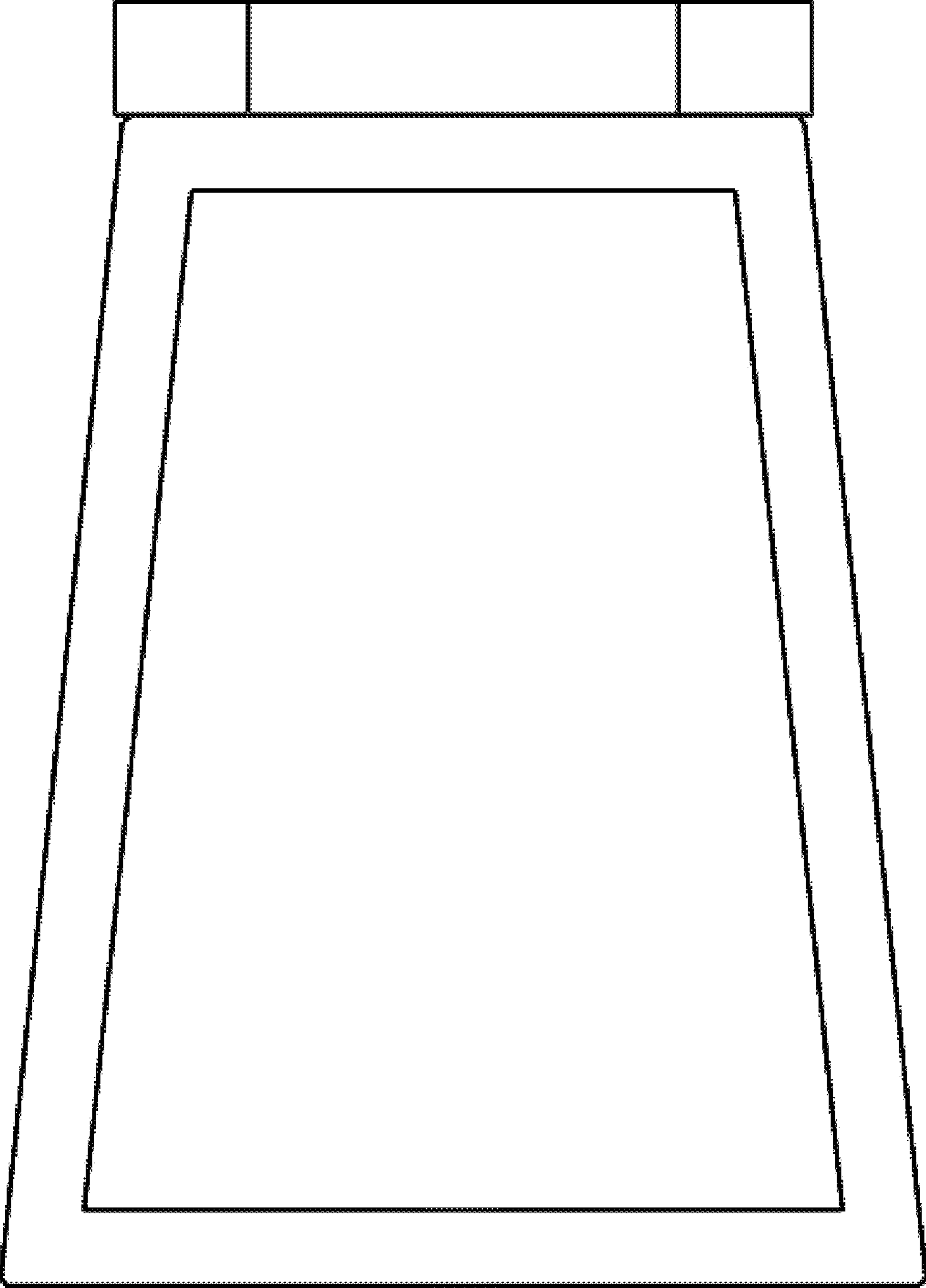


FIG. 11

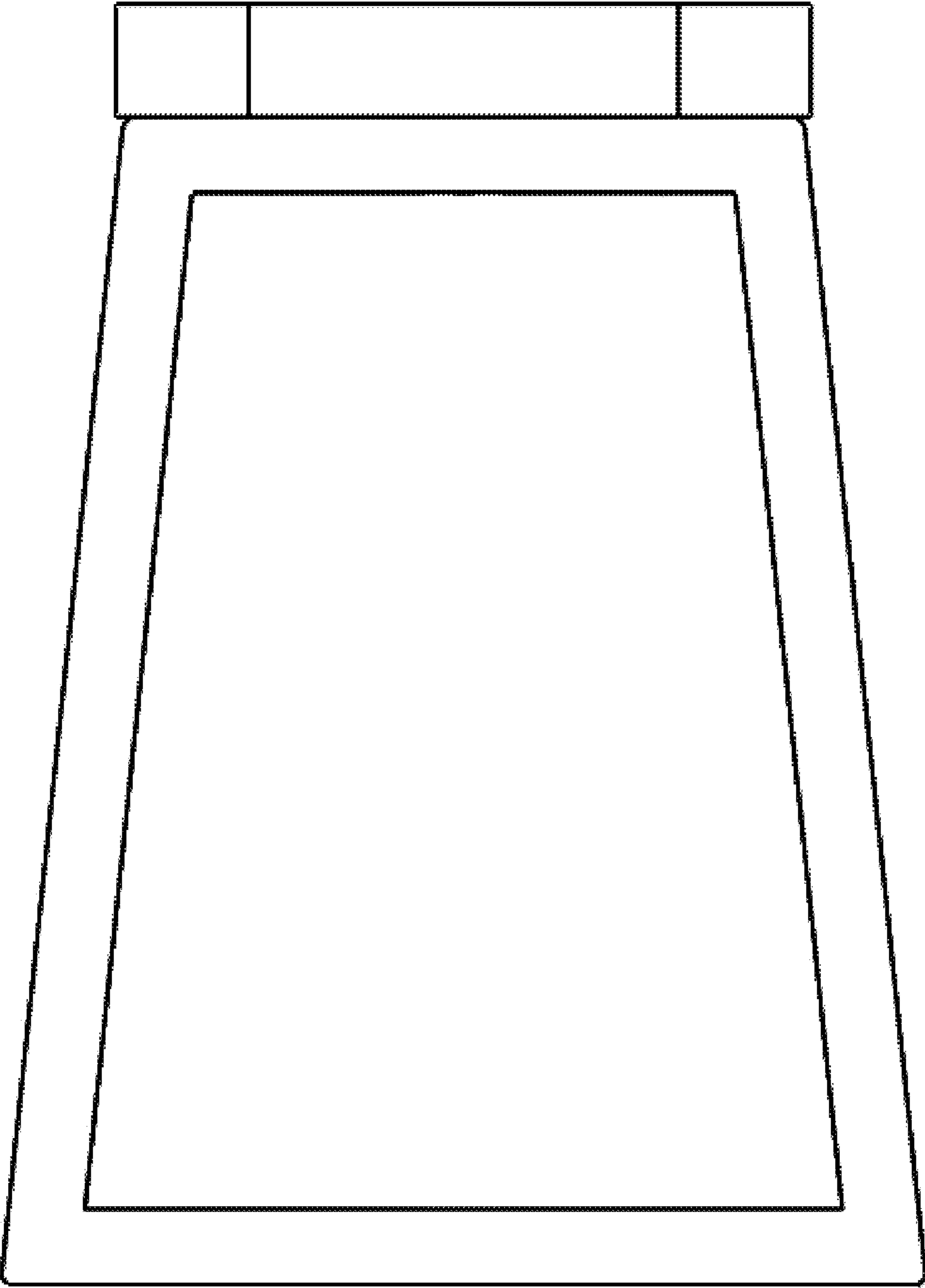


FIG. 12





FIG. 13

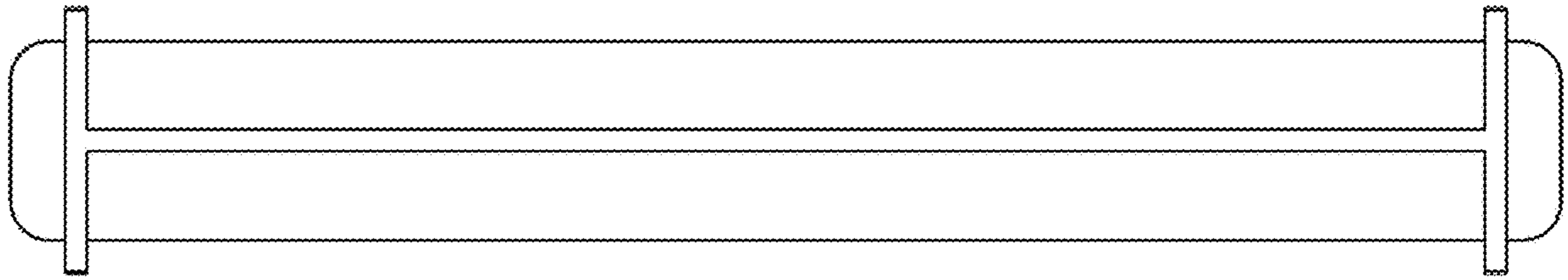


FIG. 14

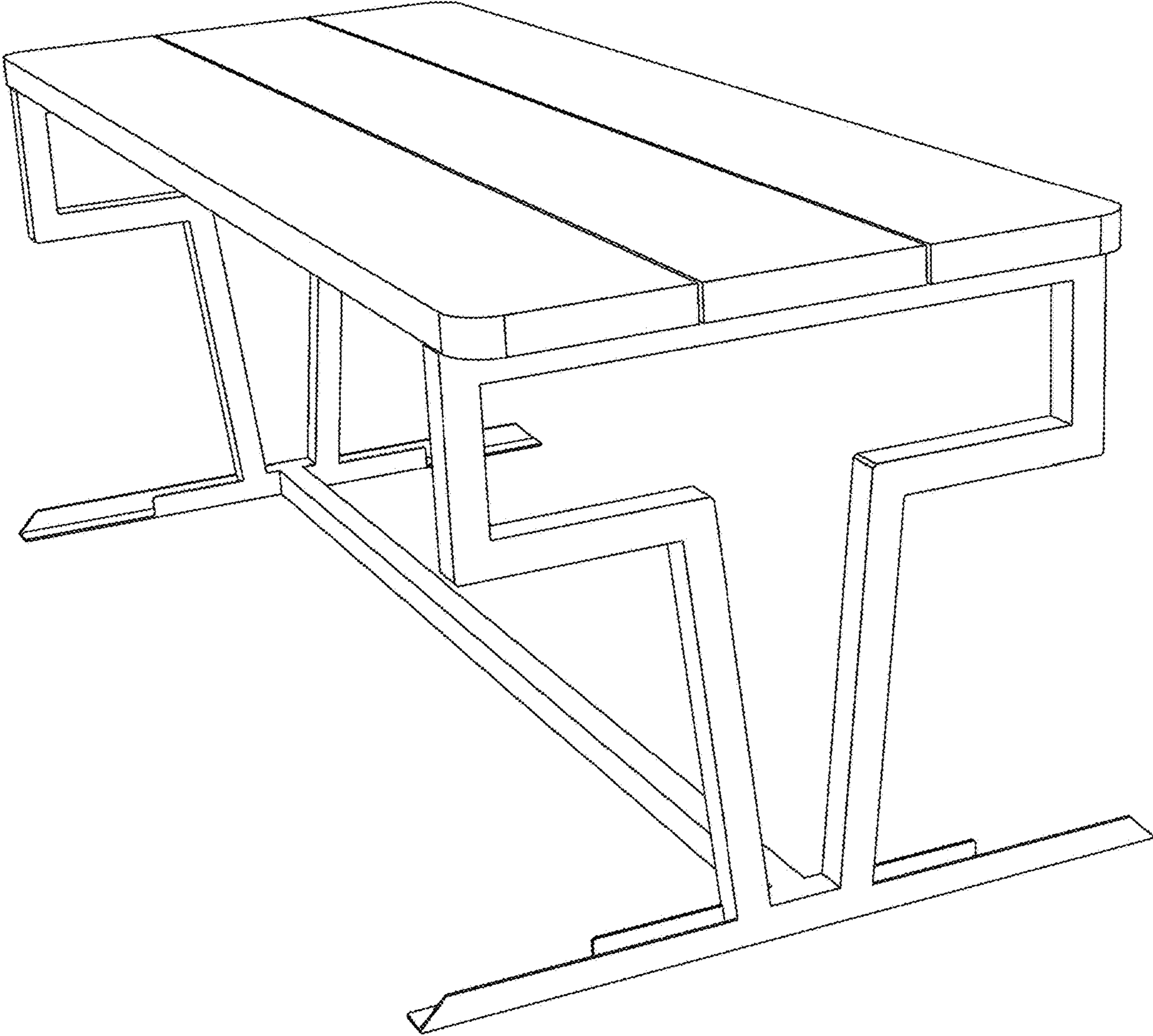


FIG. 15

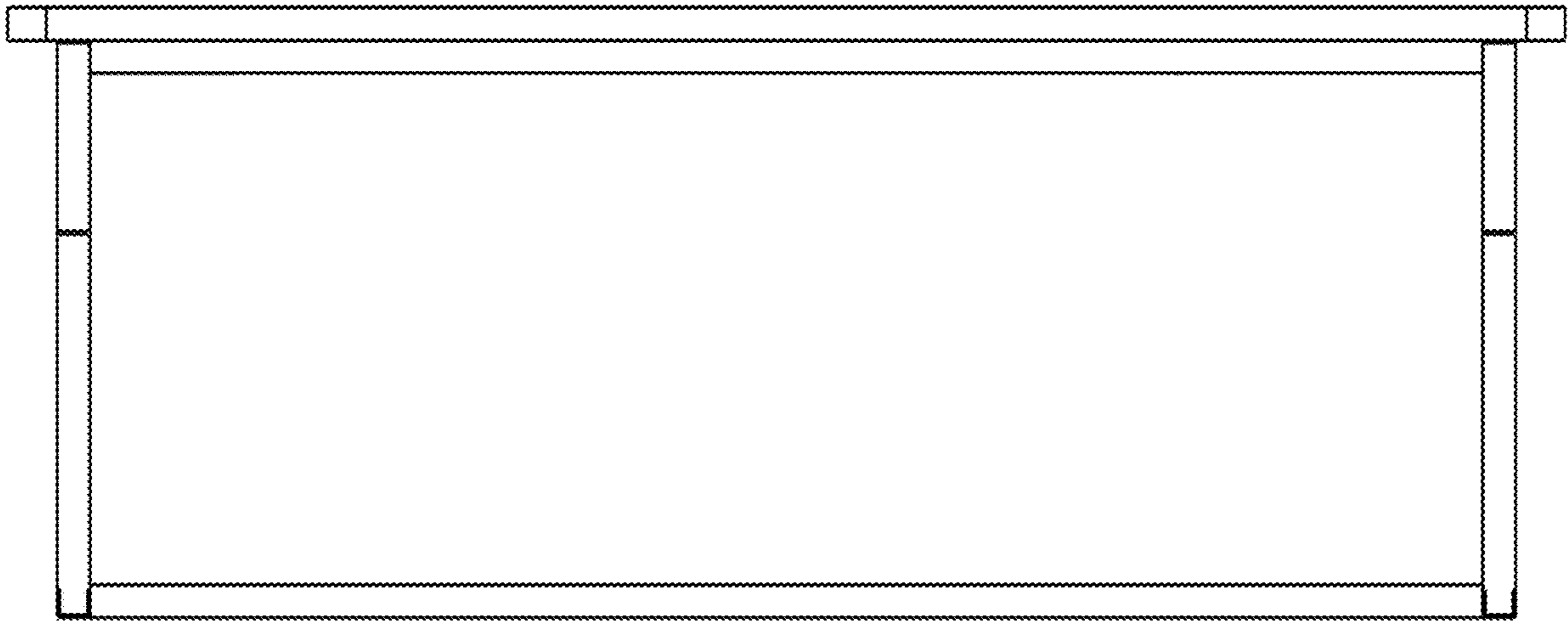


FIG. 16

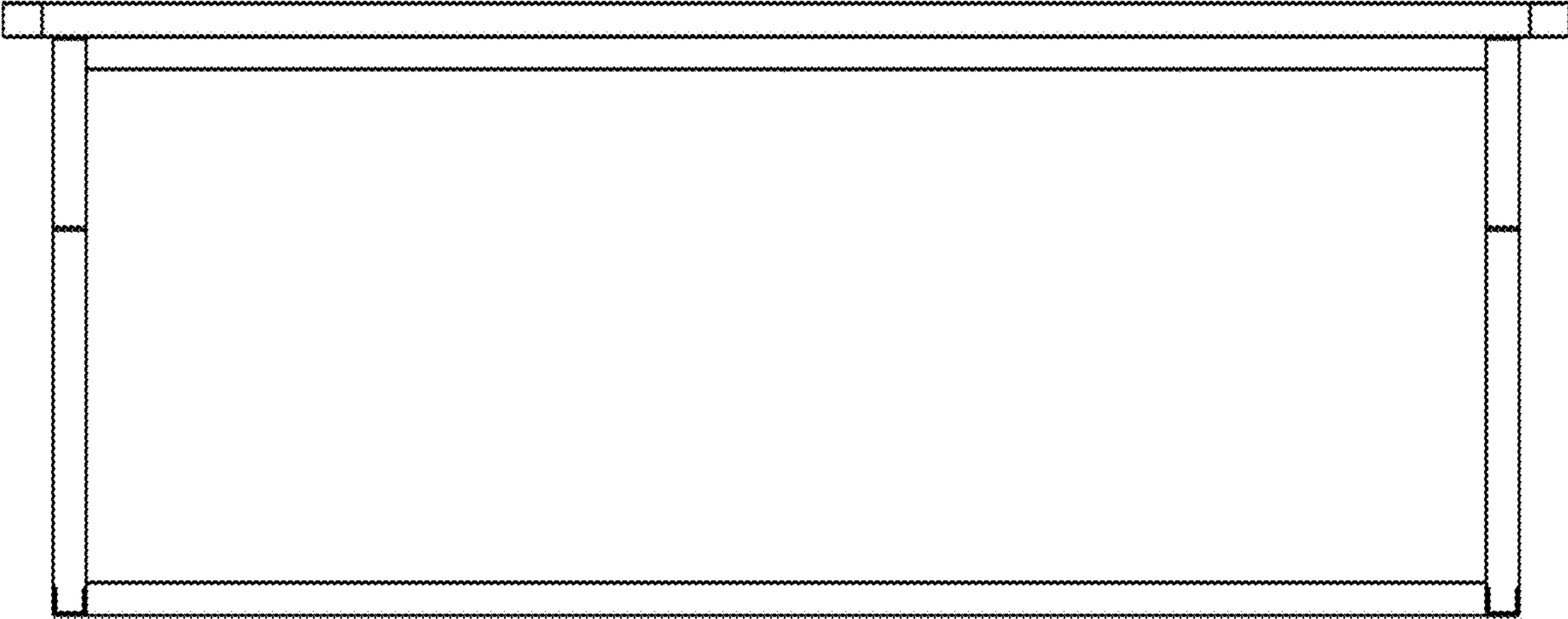


FIG. 17

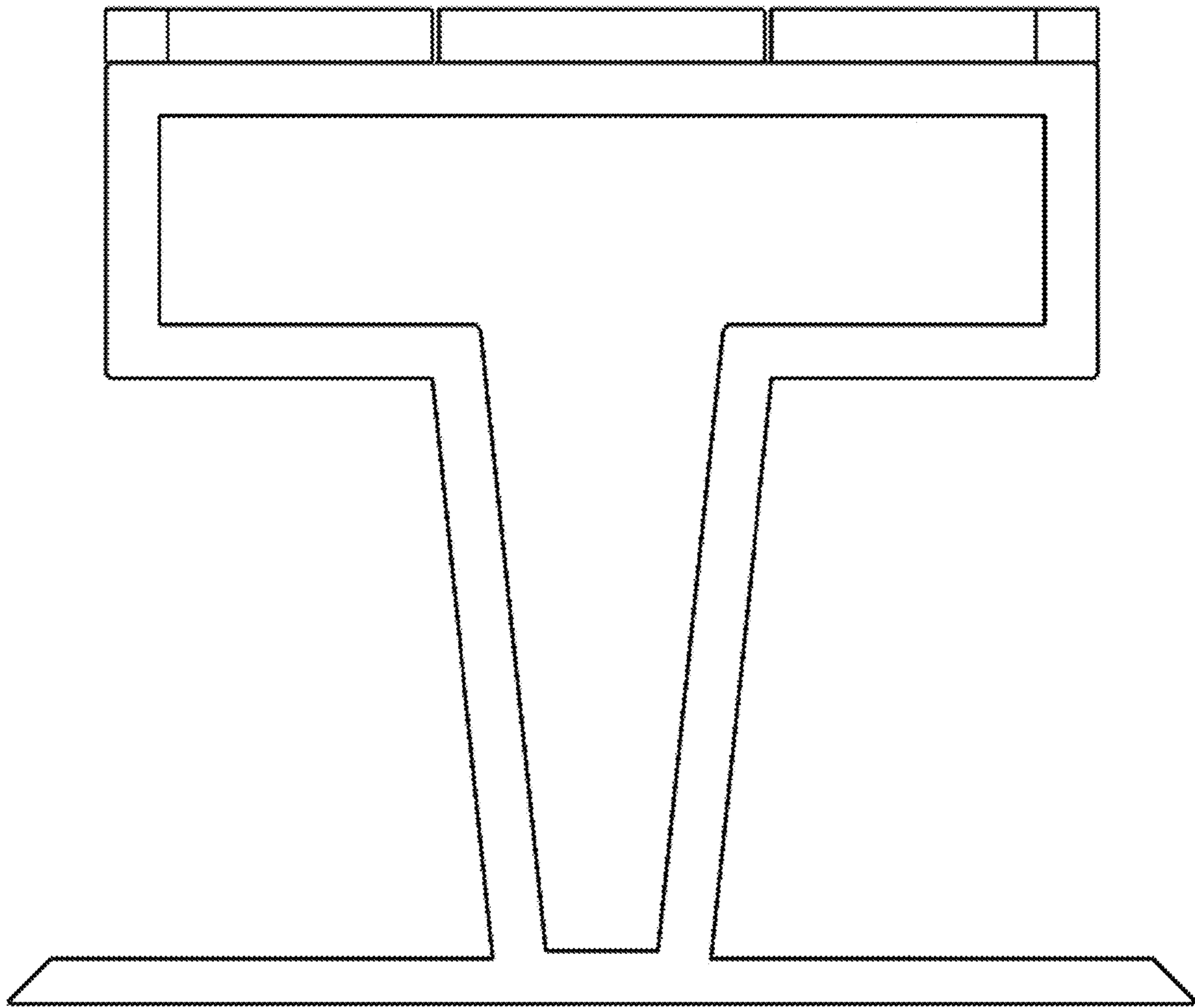


FIG. 18



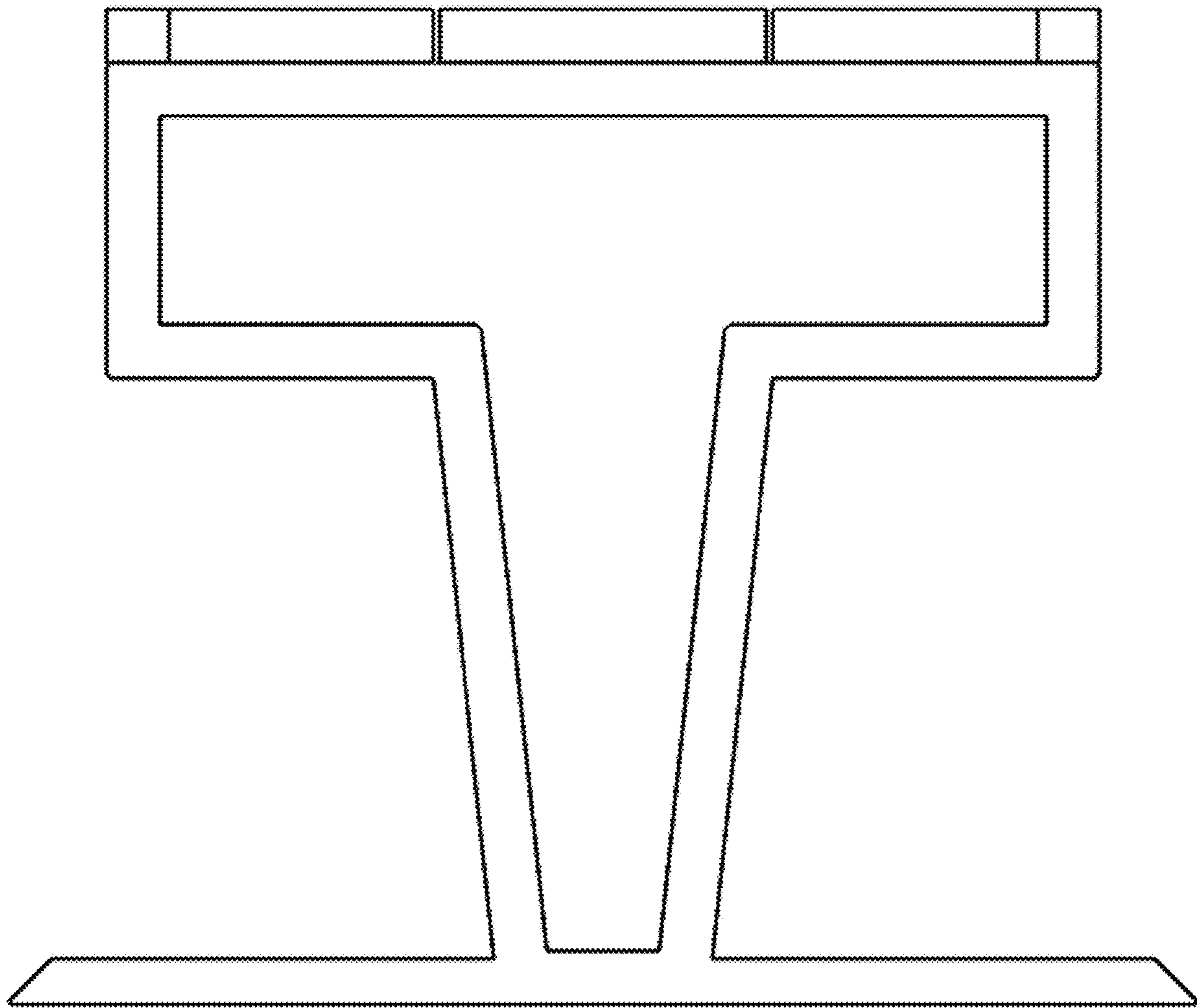


FIG. 19

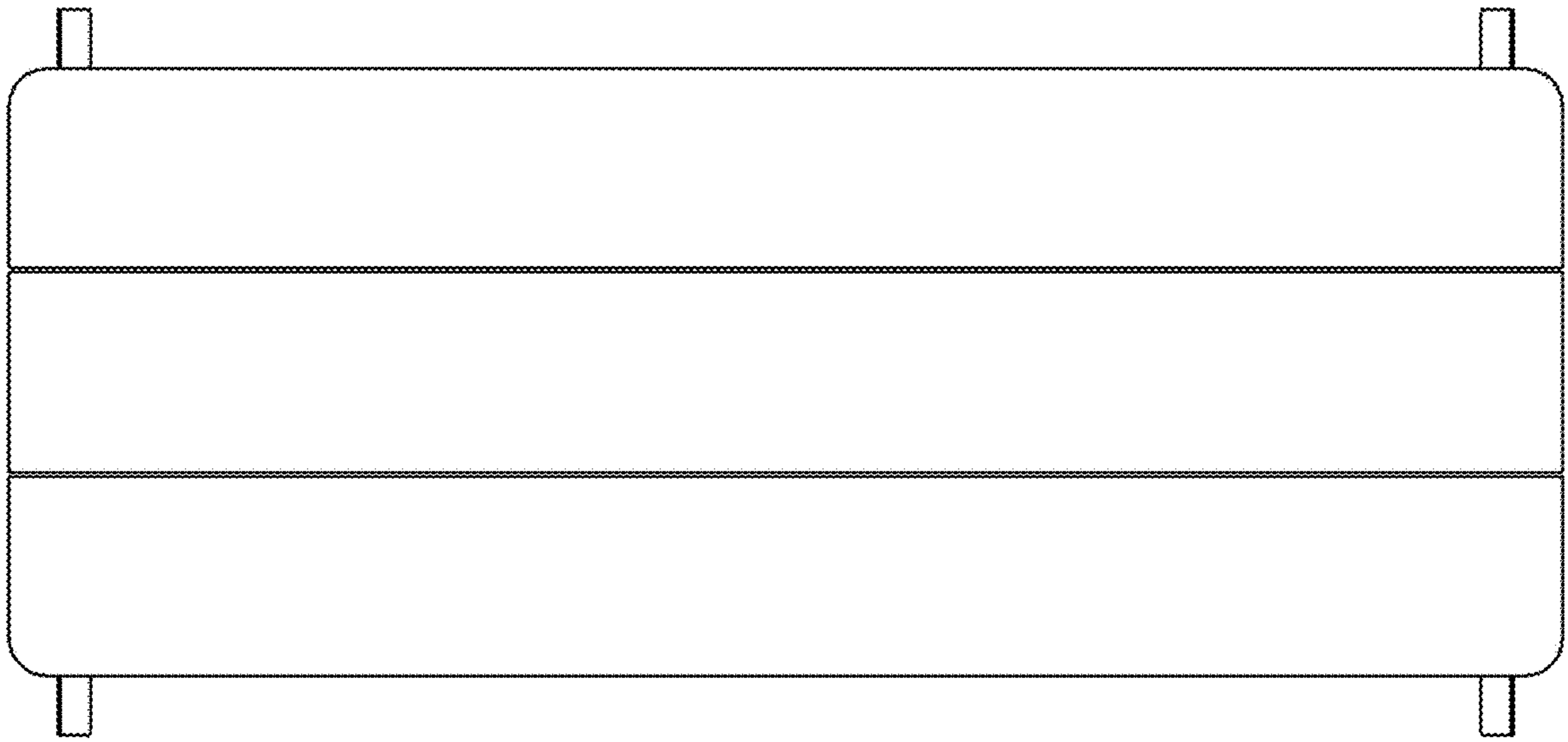


FIG. 20

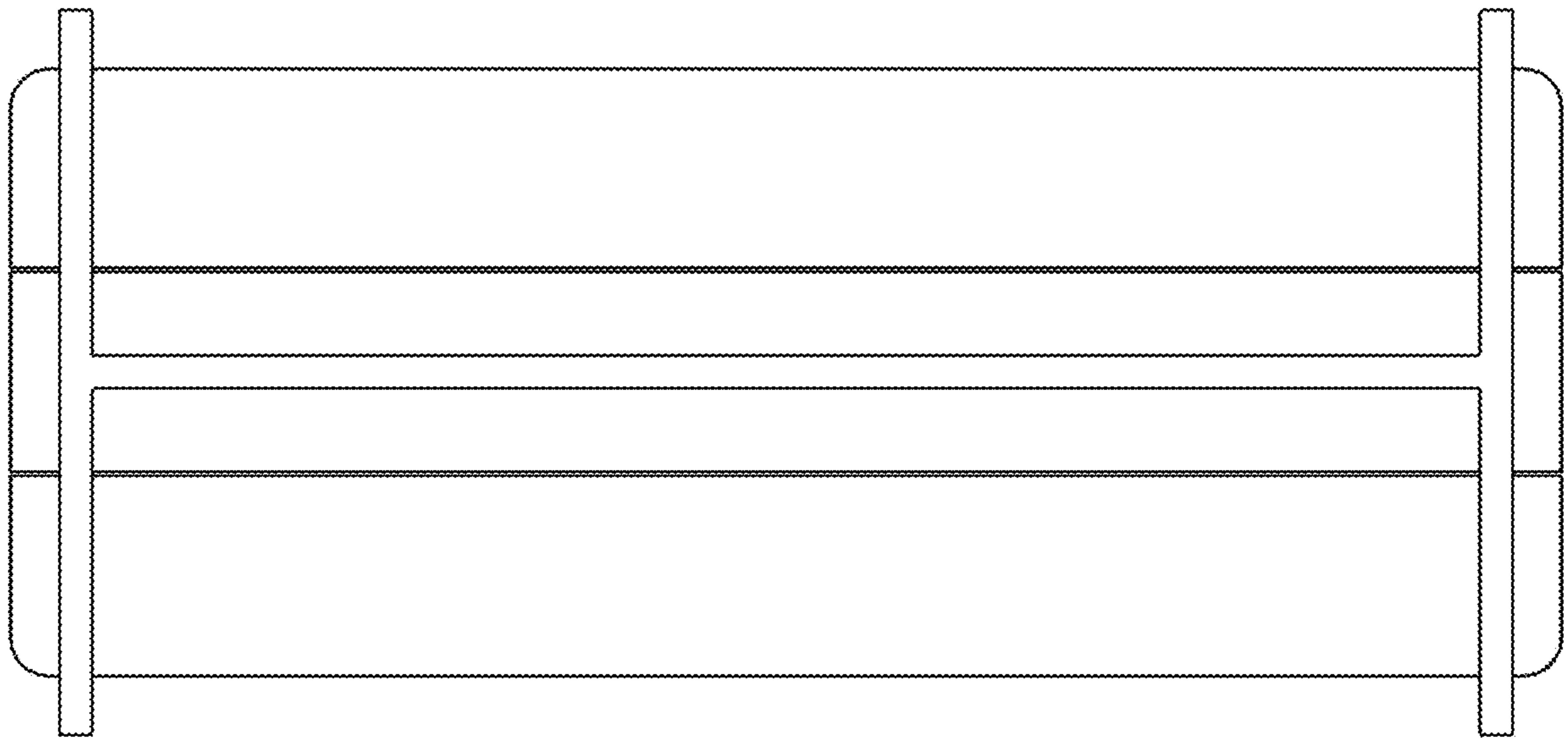


FIG. 21