



US00D968101S

(12) **United States Design Patent** (10) **Patent No.:** **US D968,101 S**  
**Liu** (45) **Date of Patent:** **\*\* Nov. 1, 2022**

(54) **MAKEUP MIRROR**  
(71) Applicant: **Fuguang Liu**, Guangzhou (CN)  
(72) Inventor: **Fuguang Liu**, Guangzhou (CN)  
(\*\*) Term: **15 Years**  
(21) Appl. No.: **29/821,099**  
(22) Filed: **Dec. 28, 2021**  
(51) **LOC (13) Cl.** ..... **06-07**  
(52) **U.S. Cl.**  
USPC ..... **D6/308**  
(58) **Field of Classification Search**  
USPC ..... D6/300–314  
CPC .. A47G 1/00; A47G 2001/002; F21V 33/004;  
A45D 42/10  
See application file for complete search history.

(56) **References Cited**

**U.S. PATENT DOCUMENTS**

1,778,728 A \* 10/1930 Raskin ..... A47G 1/14  
248/474  
D611,990 S \* 3/2010 Badinger ..... D19/113  
D779,835 S \* 2/2017 Zhang ..... D6/300  
D809,806 S \* 2/2018 Ghiorghie ..... D6/312  
D812,384 S 3/2018 Zhu  
D859,393 S \* 9/2019 Dang ..... D12/415  
D880,171 S 4/2020 Yang  
D882,279 S \* 4/2020 Zhu ..... D6/310  
D889,856 S \* 7/2020 Liu ..... D6/310  
D898,017 S \* 10/2020 Zhang ..... D14/447

(Continued)

**OTHER PUBLICATIONS**

“Vanity Mirror with Lights Hollywood Mirror Lighted Makeup Mirror with Phone Holder,3 Color Lighting Modes Detachable 10X Magnification Mirror,14×21 Inch,Touch Control,360° Rotation”

product listing on Amazon.com. Listed as first available on Jan. 19, 2021. Accessed on Jul. 25, 2022 at www.amazon.com/dp/B08TC9KG16 (Year: 2021).\*

(Continued)

*Primary Examiner* — Deanna L Pratt

(57) **CLAIM**

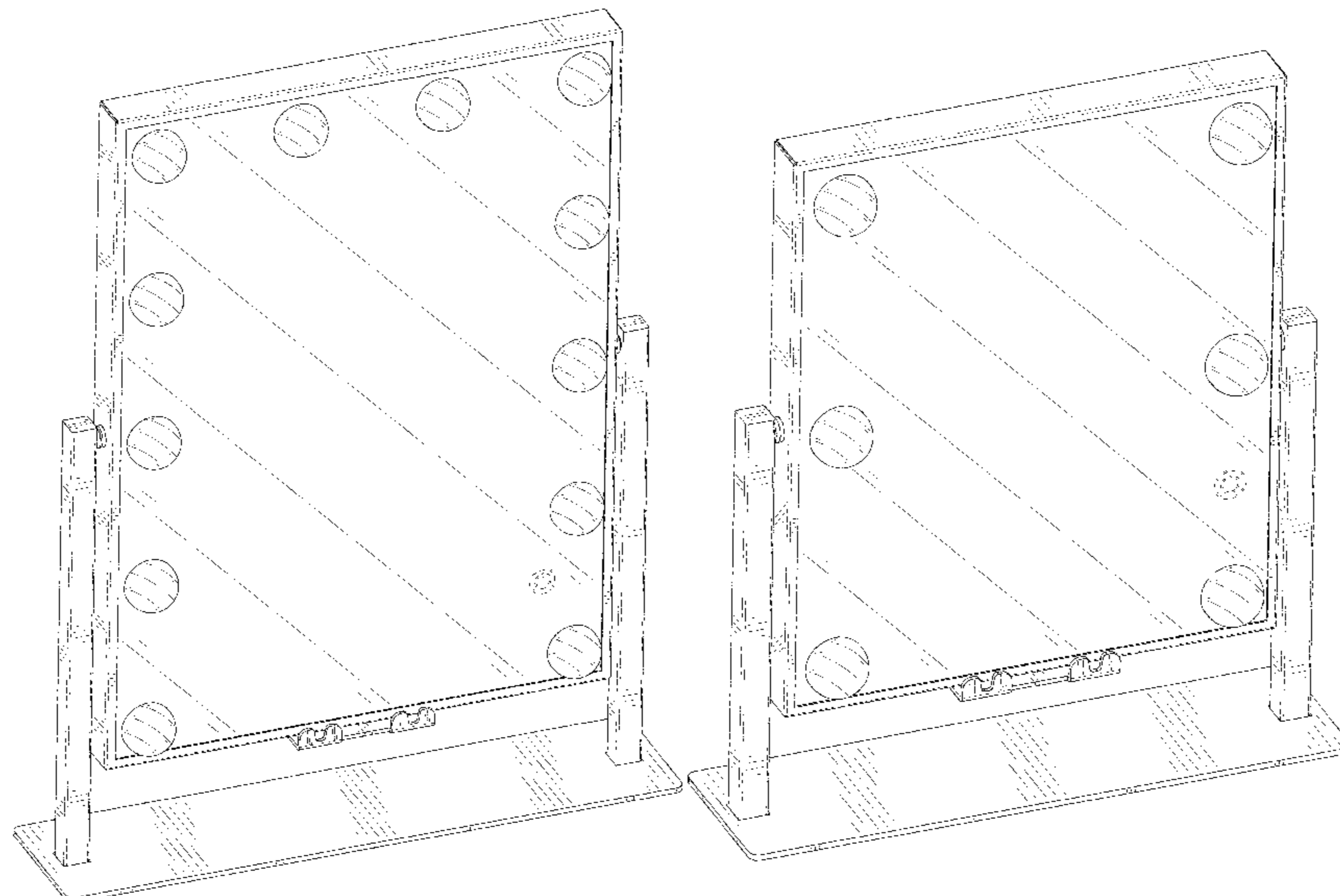
The ornamental design for a makeup mirror, as shown and described.

**DESCRIPTION**

FIG. 1 is a perspective view of a first embodiment of a makeup mirror showing my new design;  
FIG. 2 is another perspective view thereof;  
FIG. 3 is a front elevational view thereof;  
FIG. 4 is a rear elevational view thereof;  
FIG. 5 is a left side elevational view thereof;  
FIG. 6 is a right side elevational view thereof;  
FIG. 7 is a top plan view thereof;  
FIG. 8 is a bottom plan view thereof;  
FIG. 9 is a perspective view of a second embodiment of the makeup mirror;  
FIG. 10 is another perspective view thereof;  
FIG. 11 is a front elevational view thereof;  
FIG. 12 is a rear elevational view thereof;  
FIG. 13 is a left side elevational view thereof;  
FIG. 14 is a right side elevational view thereof;  
FIG. 15 is a top plan view thereof;  
FIG. 16 is a bottom plan view thereof;  
FIG. 17 is a perspective view of a third embodiment of the makeup mirror;  
FIG. 18 is another perspective view thereof;  
FIG. 19 is a front elevational view thereof;  
FIG. 20 is a rear elevational view thereof;  
FIG. 21 is a left side elevational view thereof;  
FIG. 22 is a right side elevational view thereof;  
FIG. 23 is a top plan view thereof; and,  
FIG. 24 is a bottom plan view thereof.

The broken lines in the drawings depict portions of the makeup mirror that form no part of the claimed design.

**1 Claim, 24 Drawing Sheets**



(56)

**References Cited**

U.S. PATENT DOCUMENTS

D898,384 S	*	10/2020	Liu	.....	D6/308
D902,217 S	*	11/2020	Zhang	.....	D14/447
D902,607 S	*	11/2020	Liu	.....	D6/310
D918,601 S	*	5/2021	Liu	.....	D6/300
D923,945 S	*	7/2021	Du	.....	D6/308
D929,749 S	*	9/2021	Choi	.....	D6/301
D946,492 S	*	3/2022	Qu	.....	D12/415
D950,255 S	*	5/2022	Choi	.....	D6/308
D955,118 S	*	6/2022	Liang	.....	D6/308

OTHER PUBLICATIONS

“BWLLNI Lighted Makeup Mirror Hollywood Mirror Vanity Mirror with Lights, Touch Control Design 3 Colors Dimable LED Bulbs, Detachable 10X Magnification, 360° Rotation, White” product listing on Amazon.com. Listed as first available on Oct. 19, 2020. Accessed on Jul. 25, 2022 at [www.amazon.com/dp/B08LDJPG3N](http://www.amazon.com/dp/B08LDJPG3N) (Year: 2020).\*

“Misavanity Rotating Vanity Mirror with Lights and Wireless Charger, 22"x21" Adjustable Hollywood Mirror with Magnifying Mirror, 14 Dimmable Bulbs, 3 Color Light Settings, Touch Screen, Sturdy Base” product listing on Amazon.com. Listed as first available on Dec. 25, 2020. Accessed on Jul. 25, 2022 at [www.amazon.com/dp/B08R9RBFLG](http://www.amazon.com/dp/B08R9RBFLG) (Year: 2020).\*

\* cited by examiner

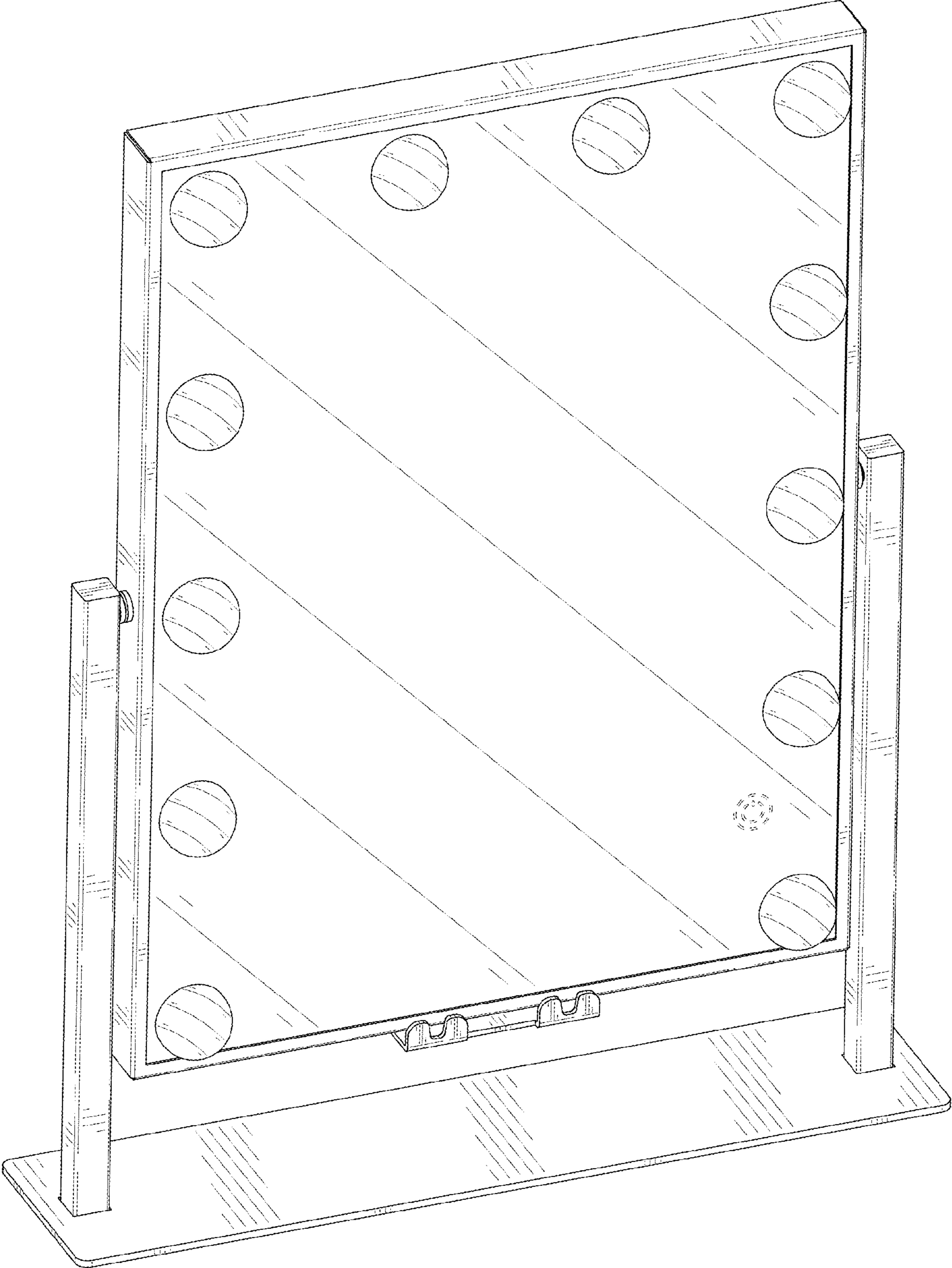


FIG. 1

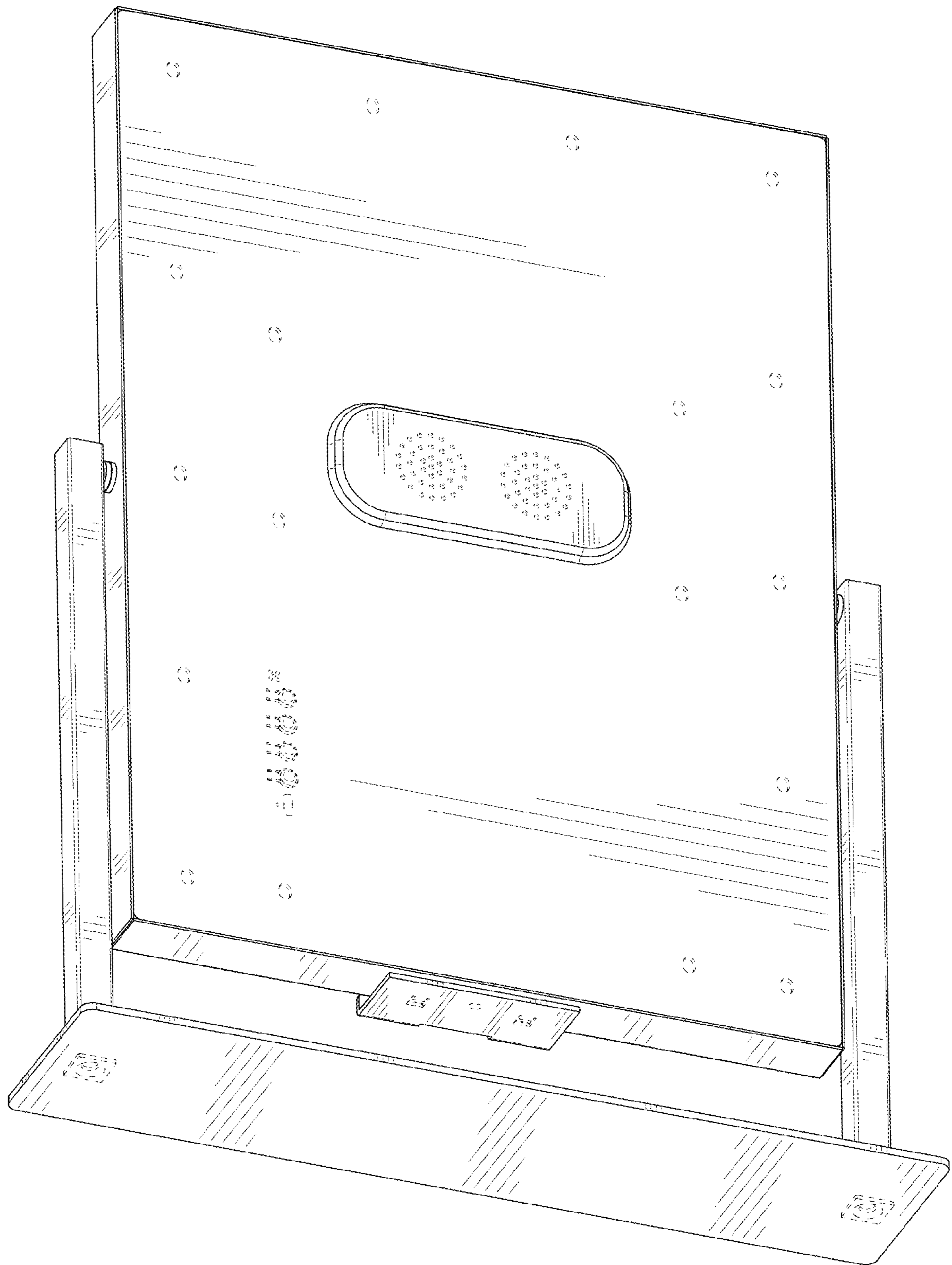


FIG. 2

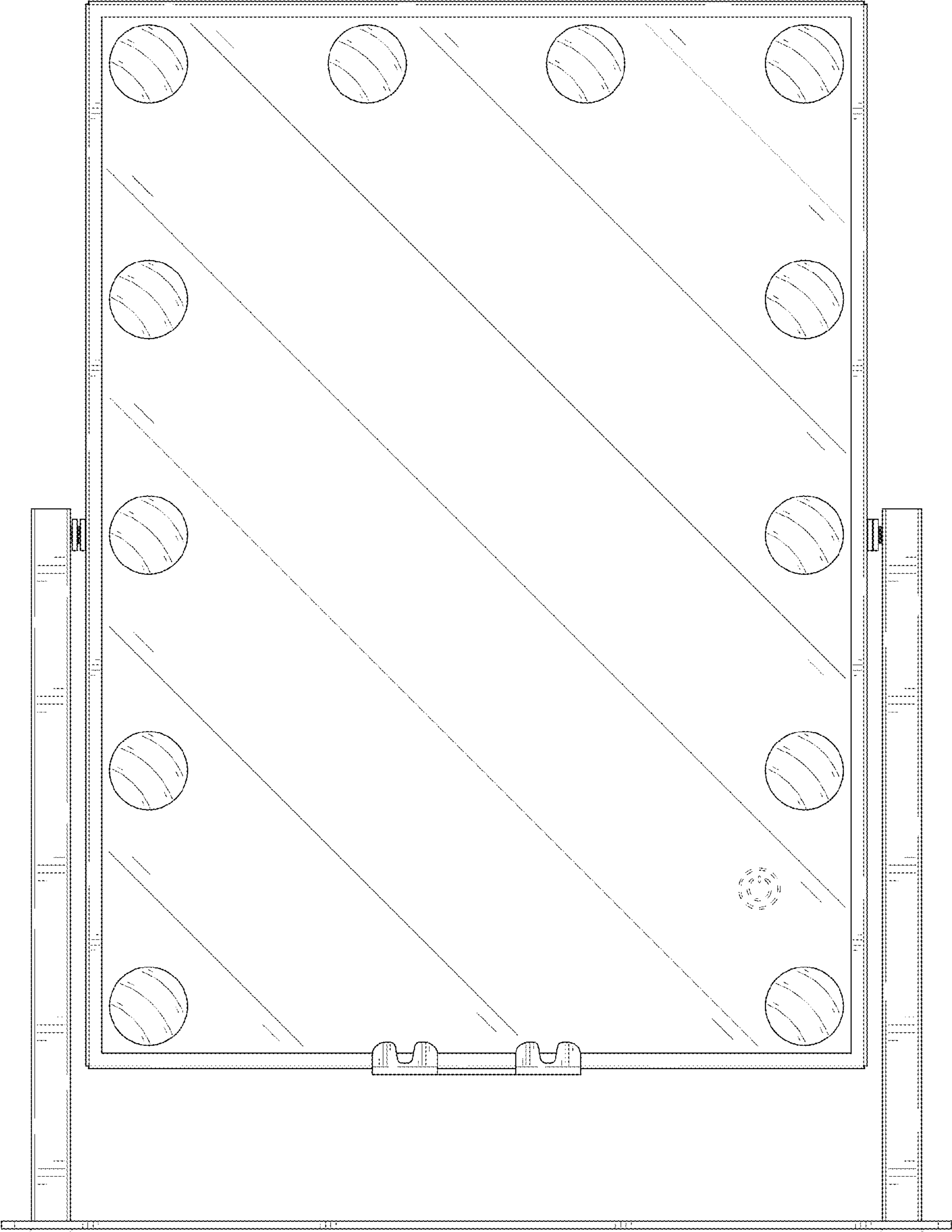


FIG. 3

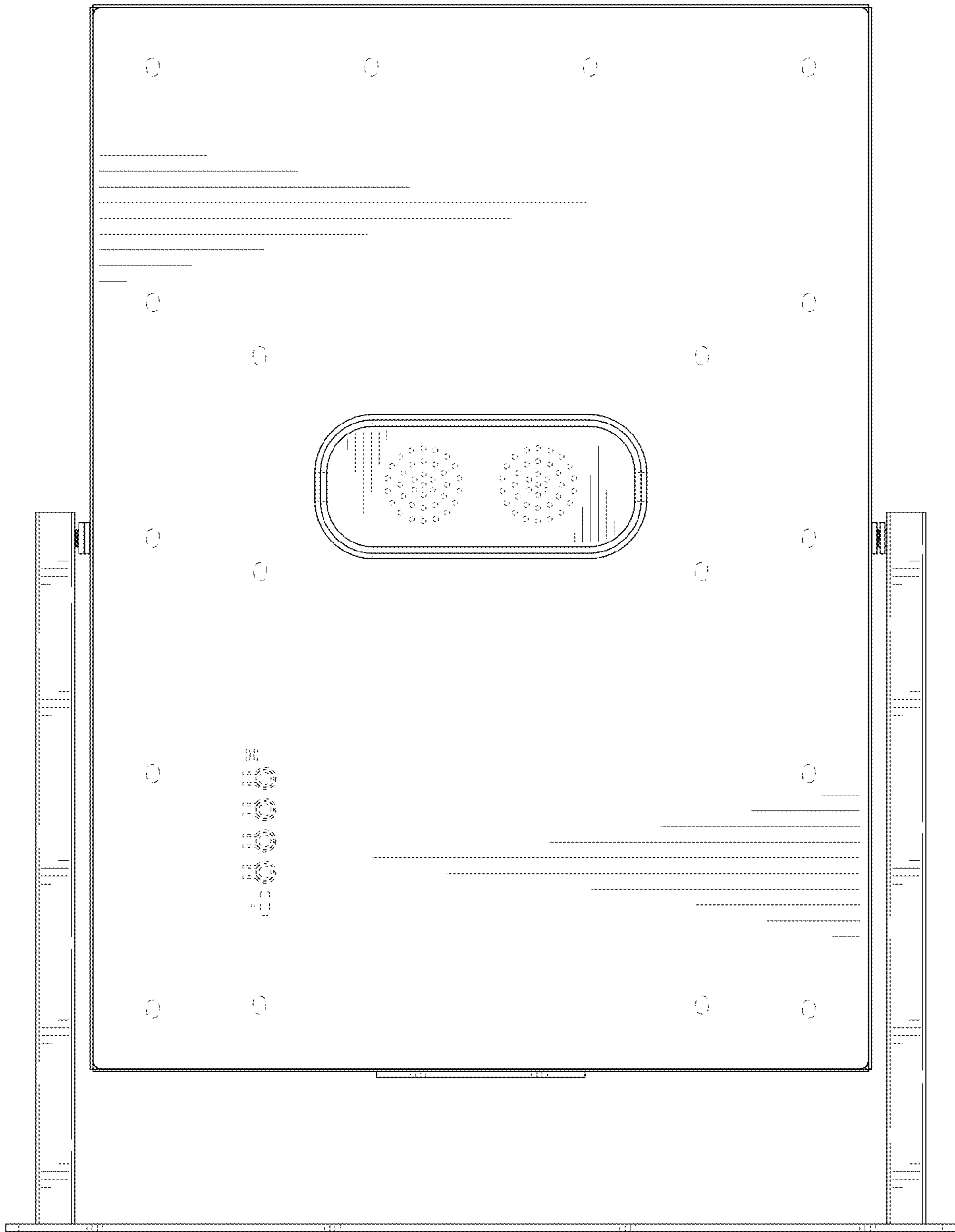


FIG. 4

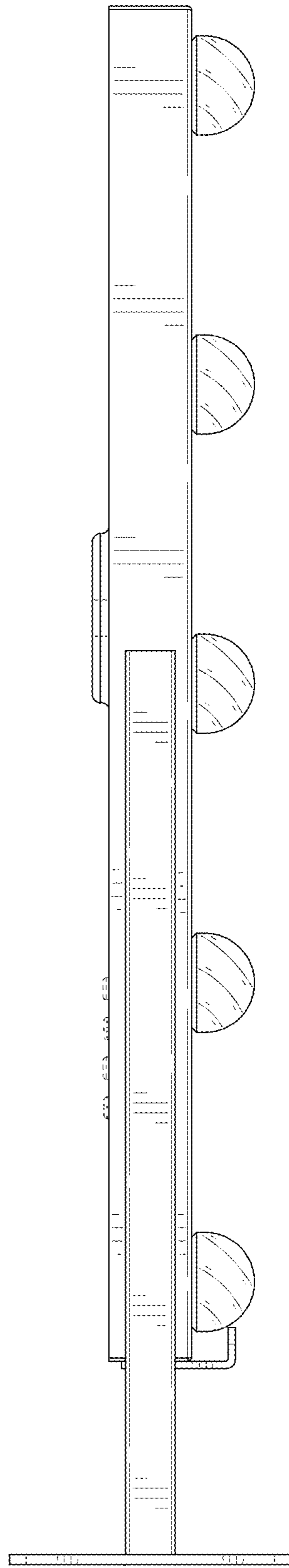


FIG. 5

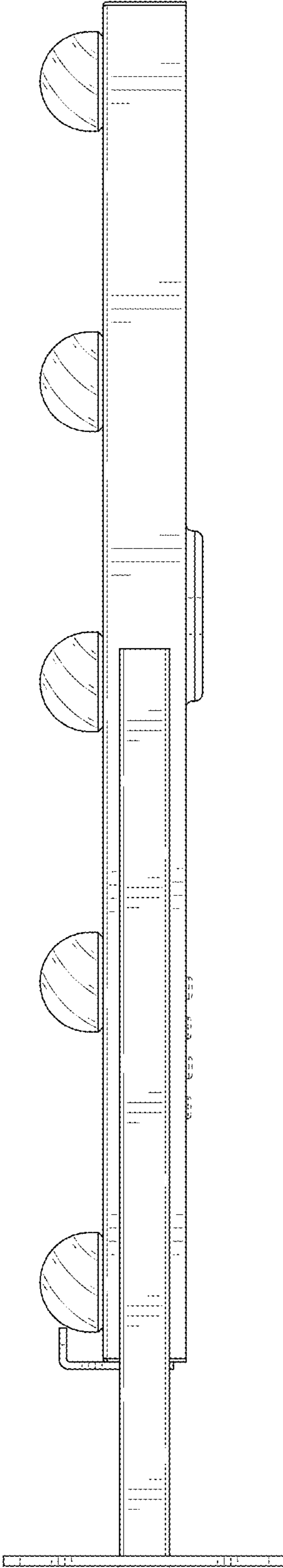


FIG. 6



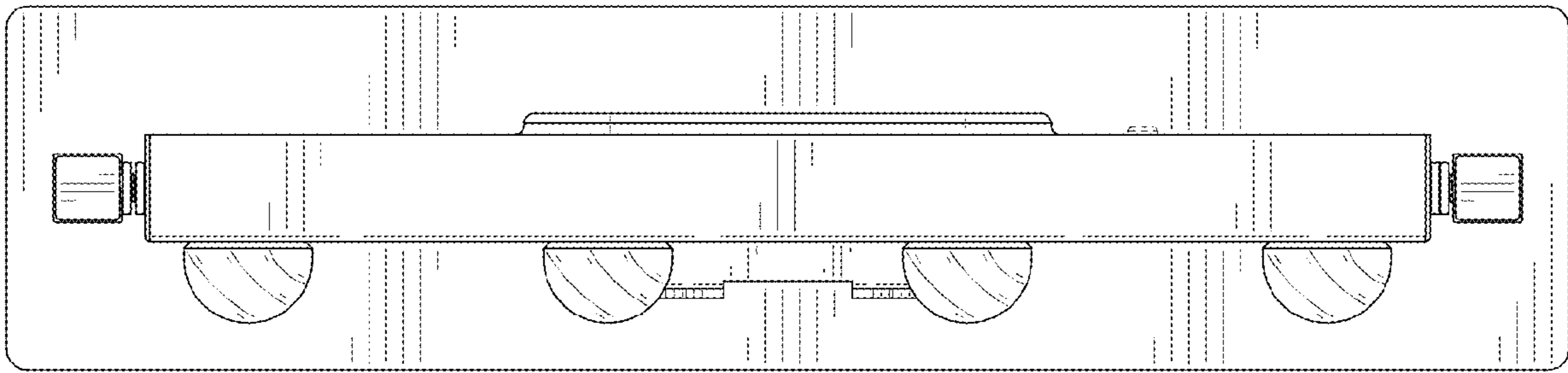


FIG. 7

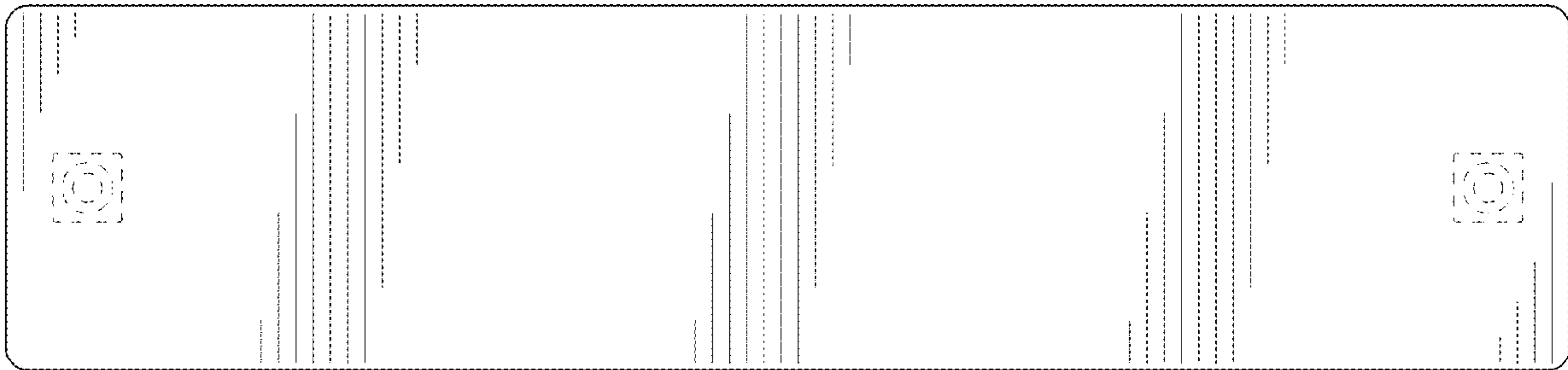


FIG. 8

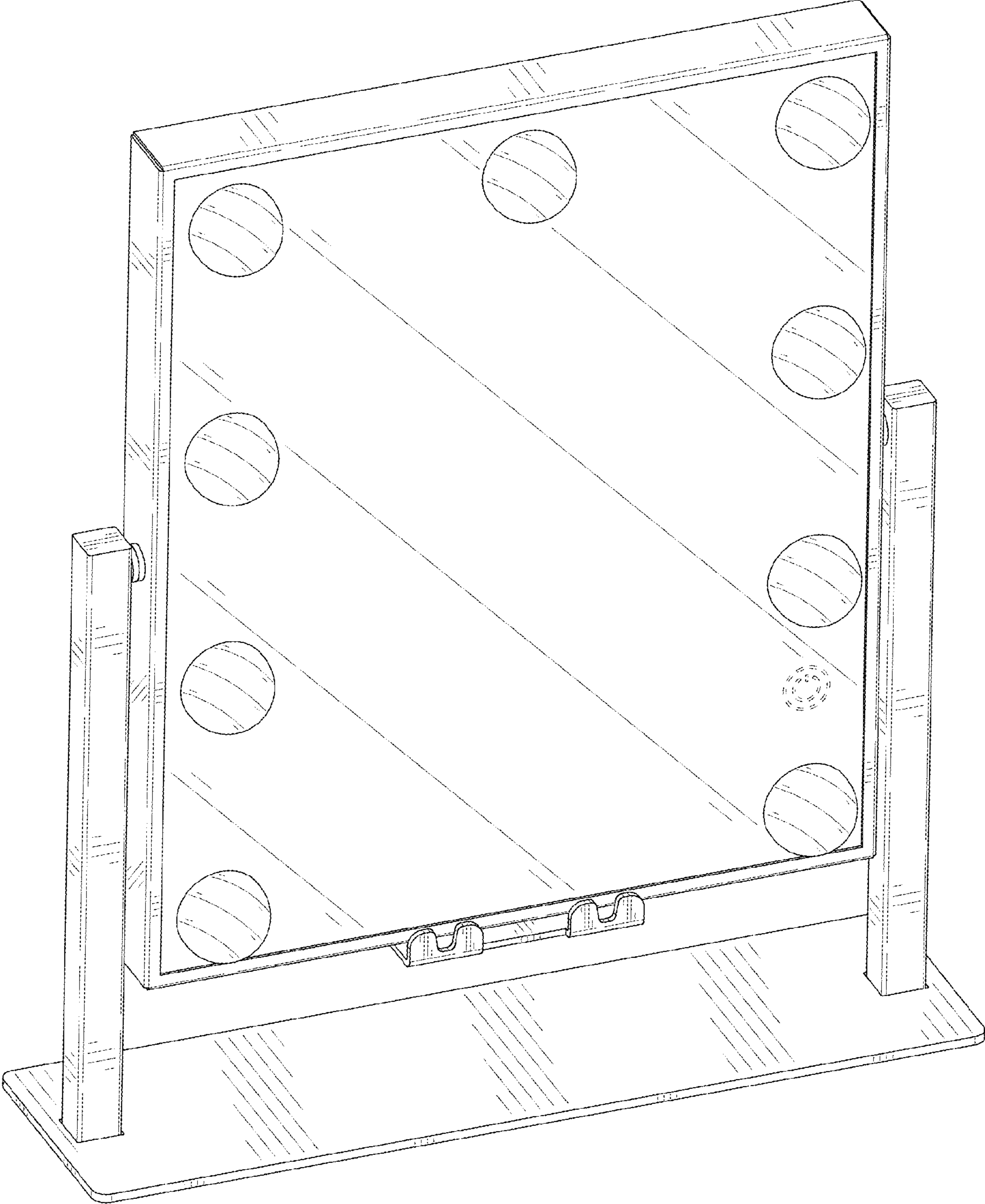


FIG. 9

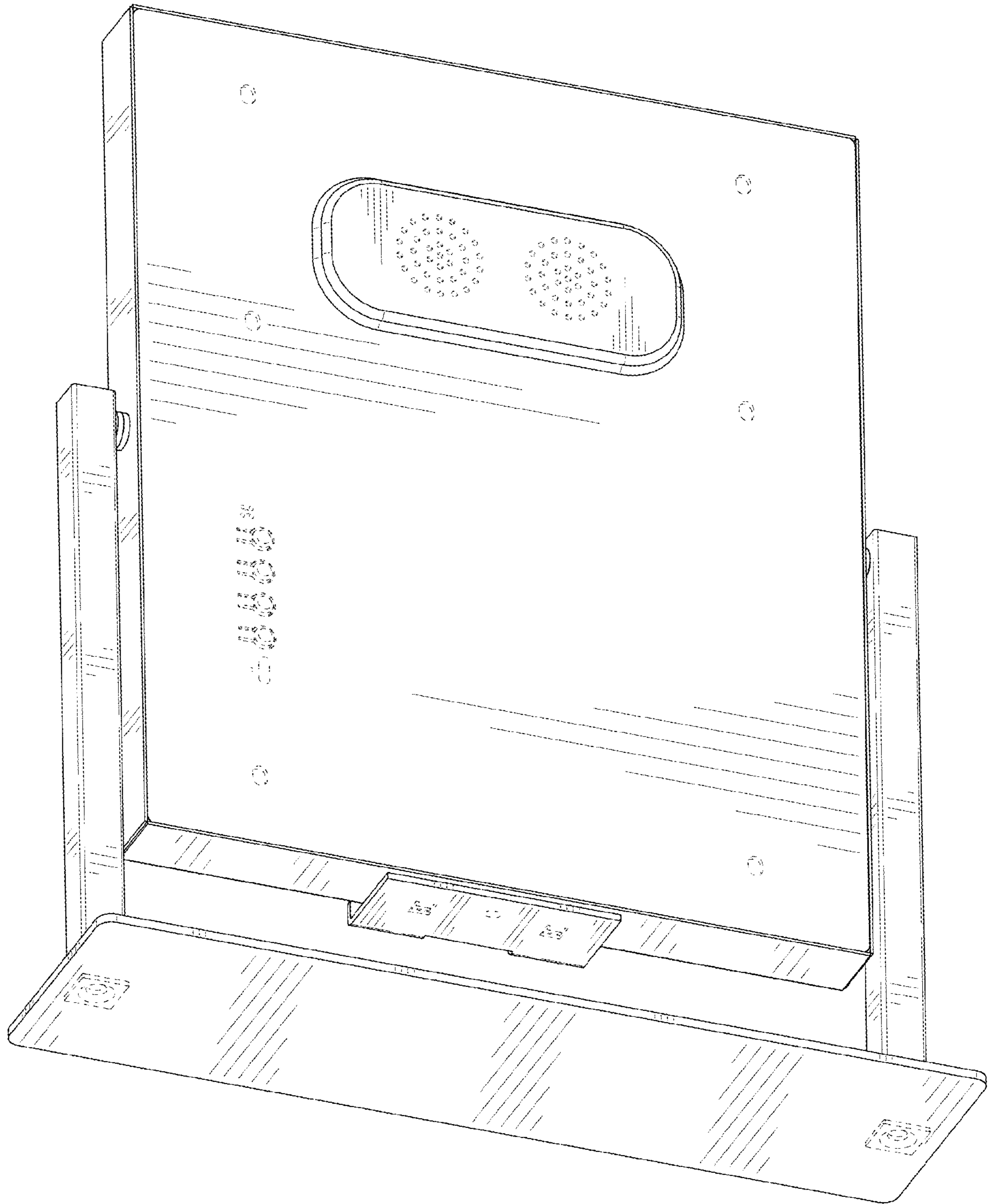


FIG. 10

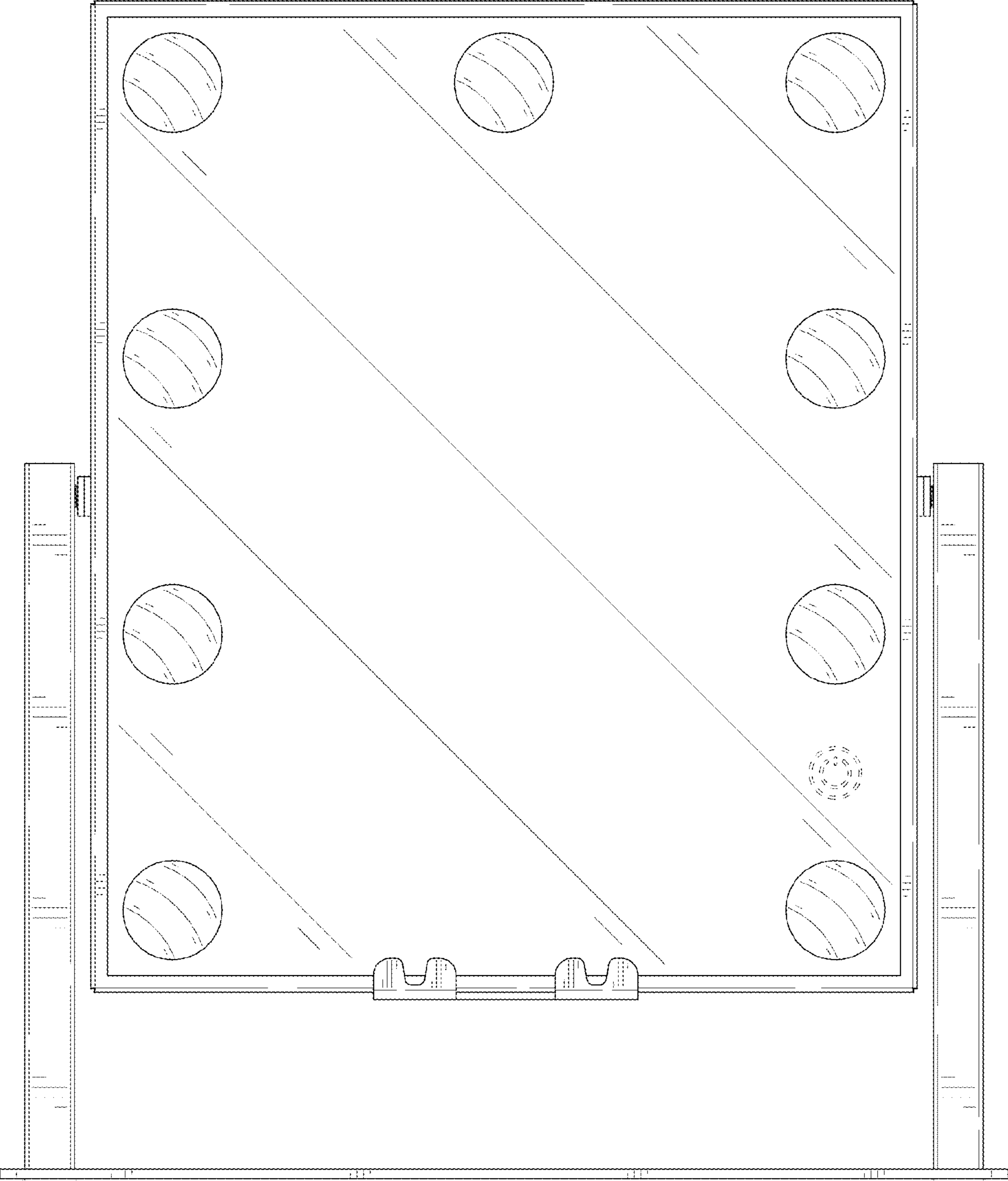


FIG. 11

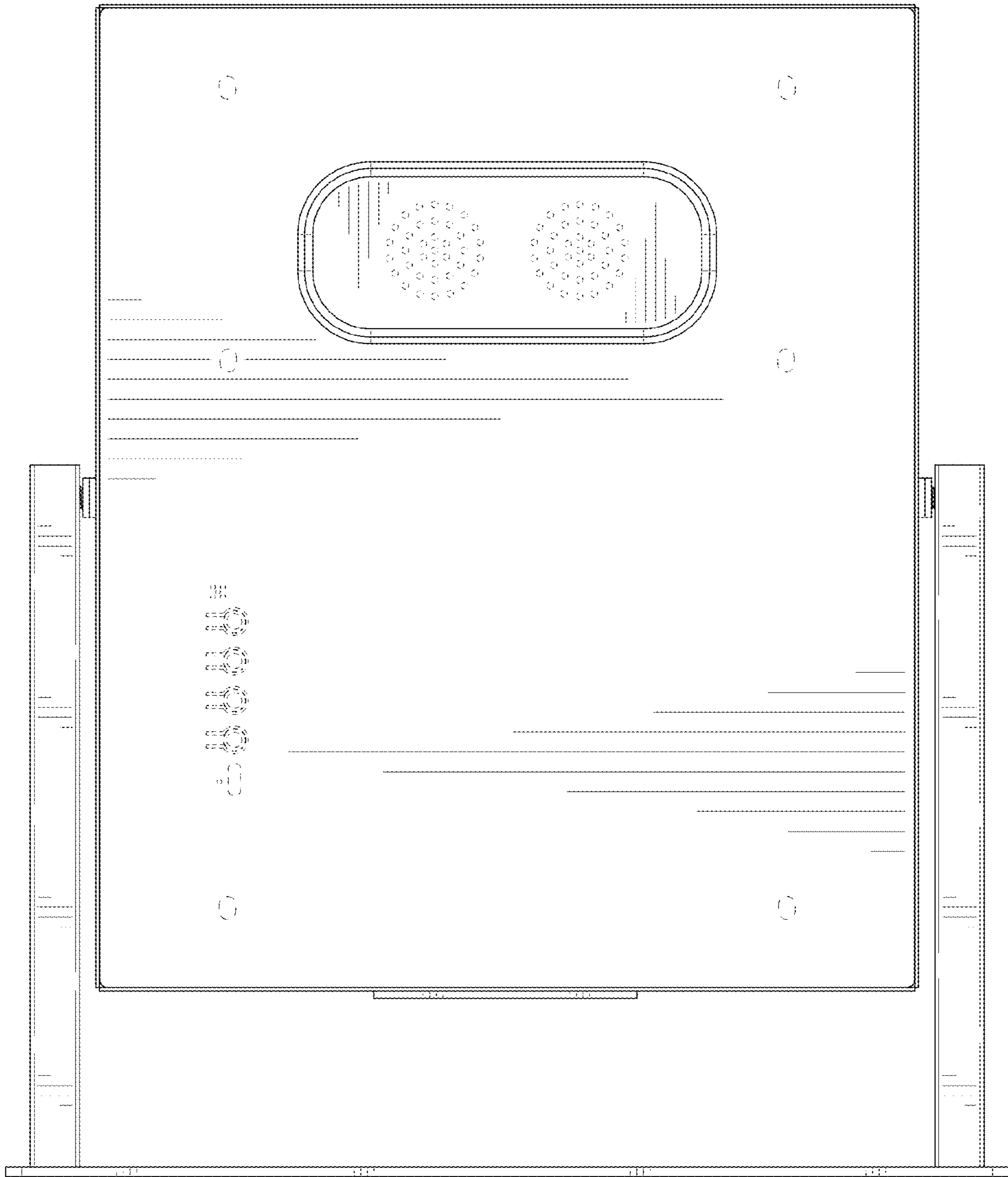


FIG. 12

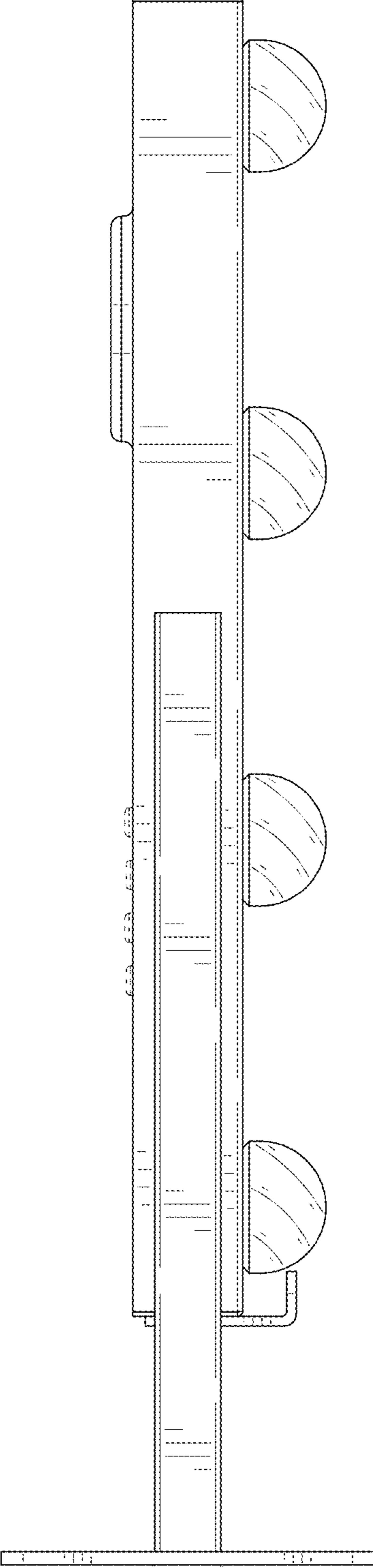


FIG. 13

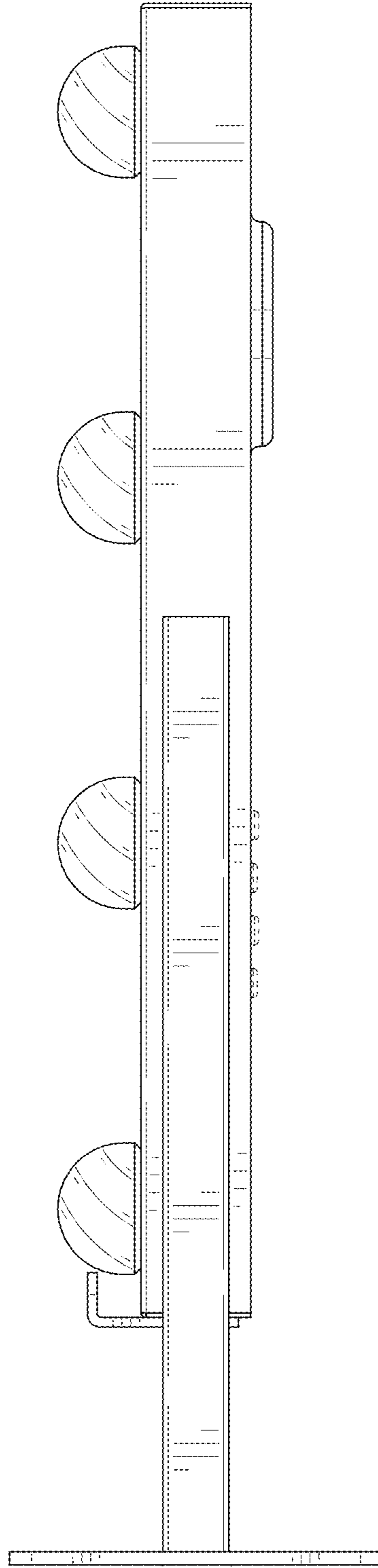


FIG. 14



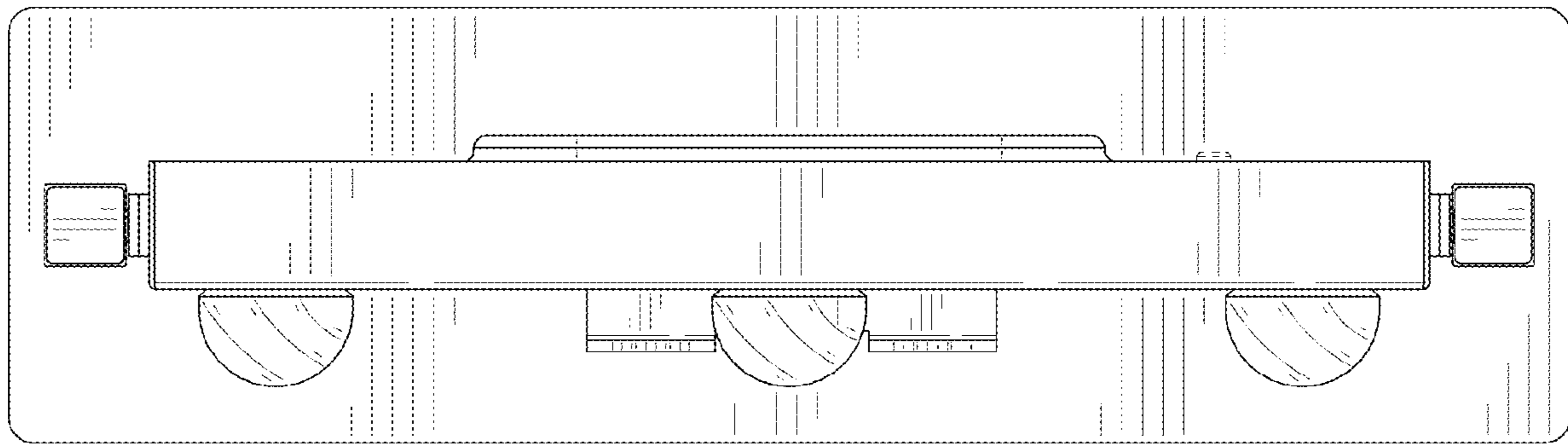


FIG. 15

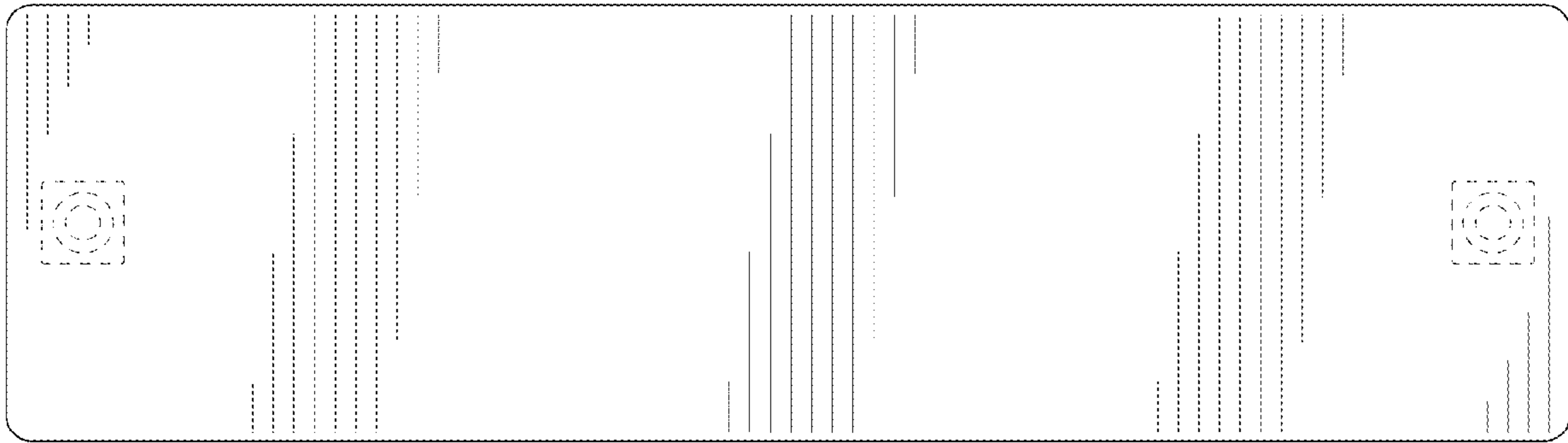


FIG. 16

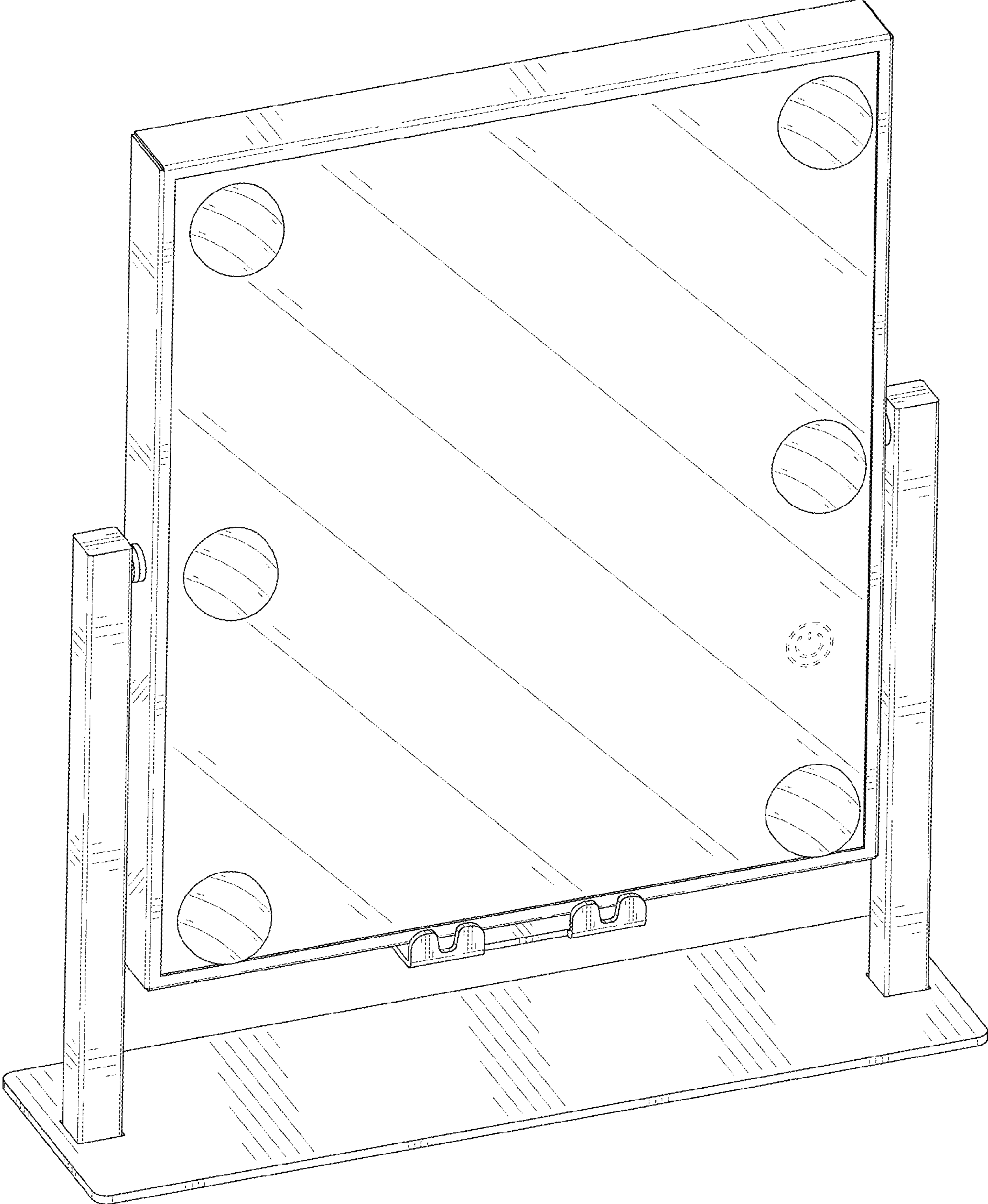


FIG. 17

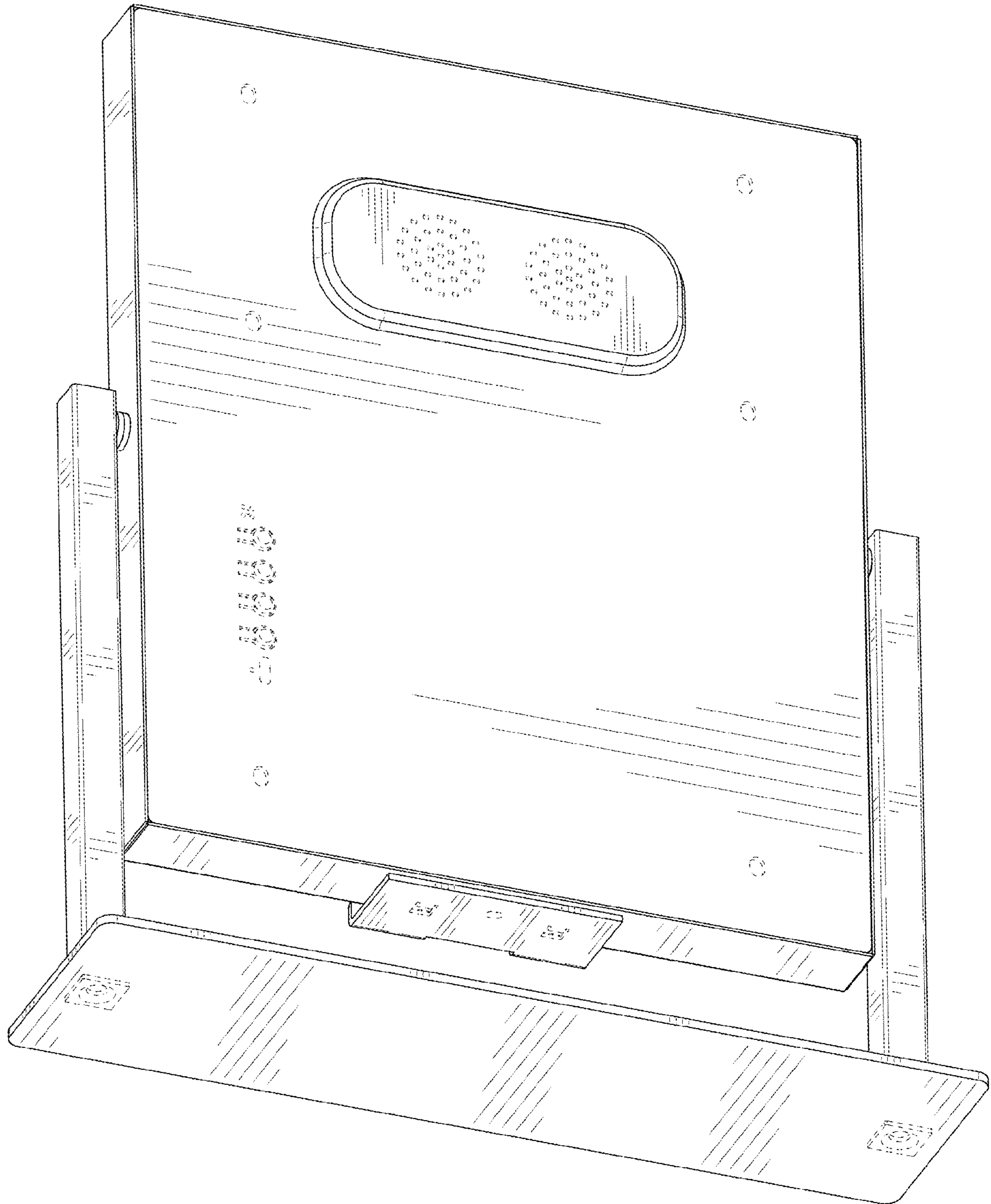


FIG. 18

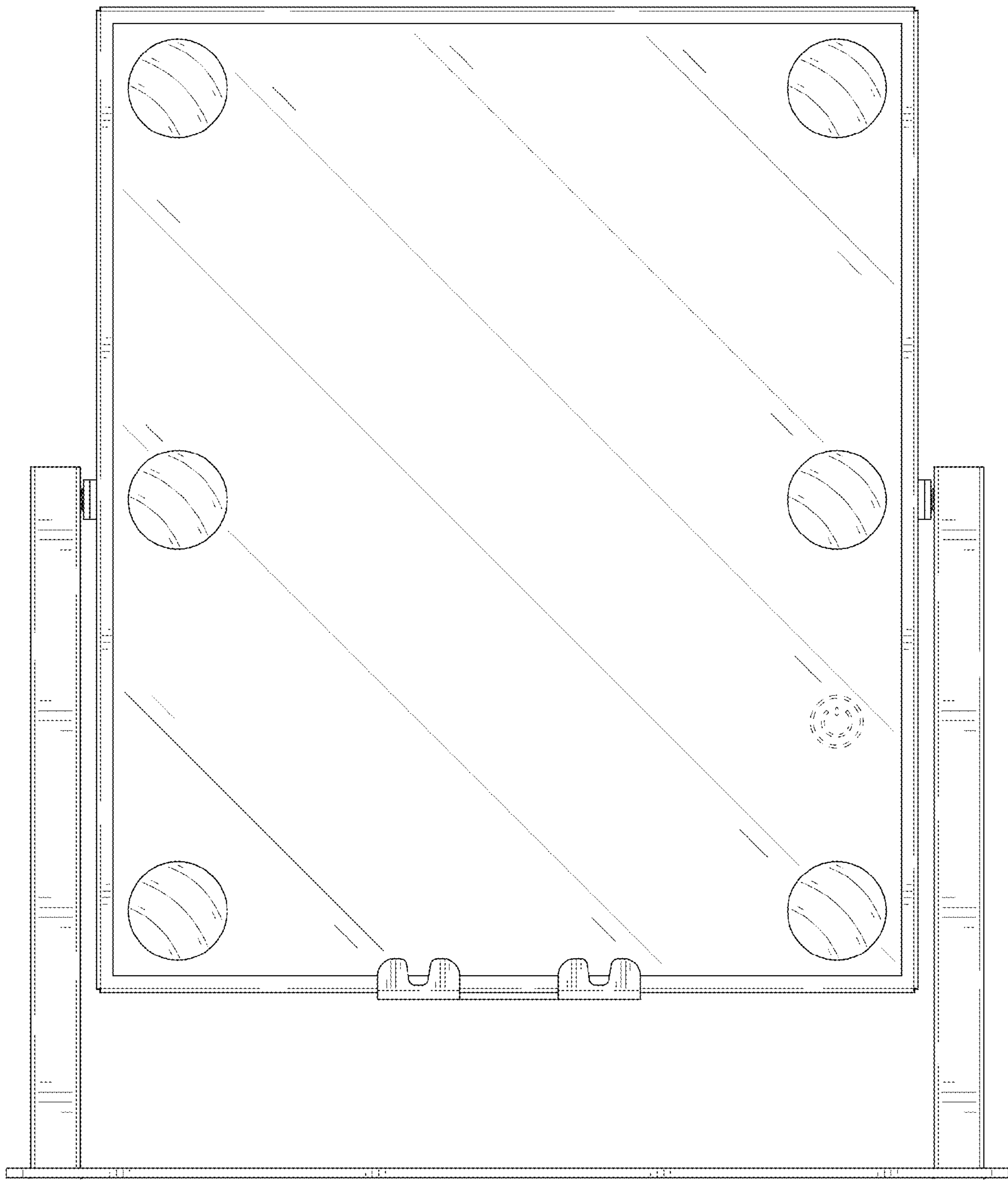


FIG. 19

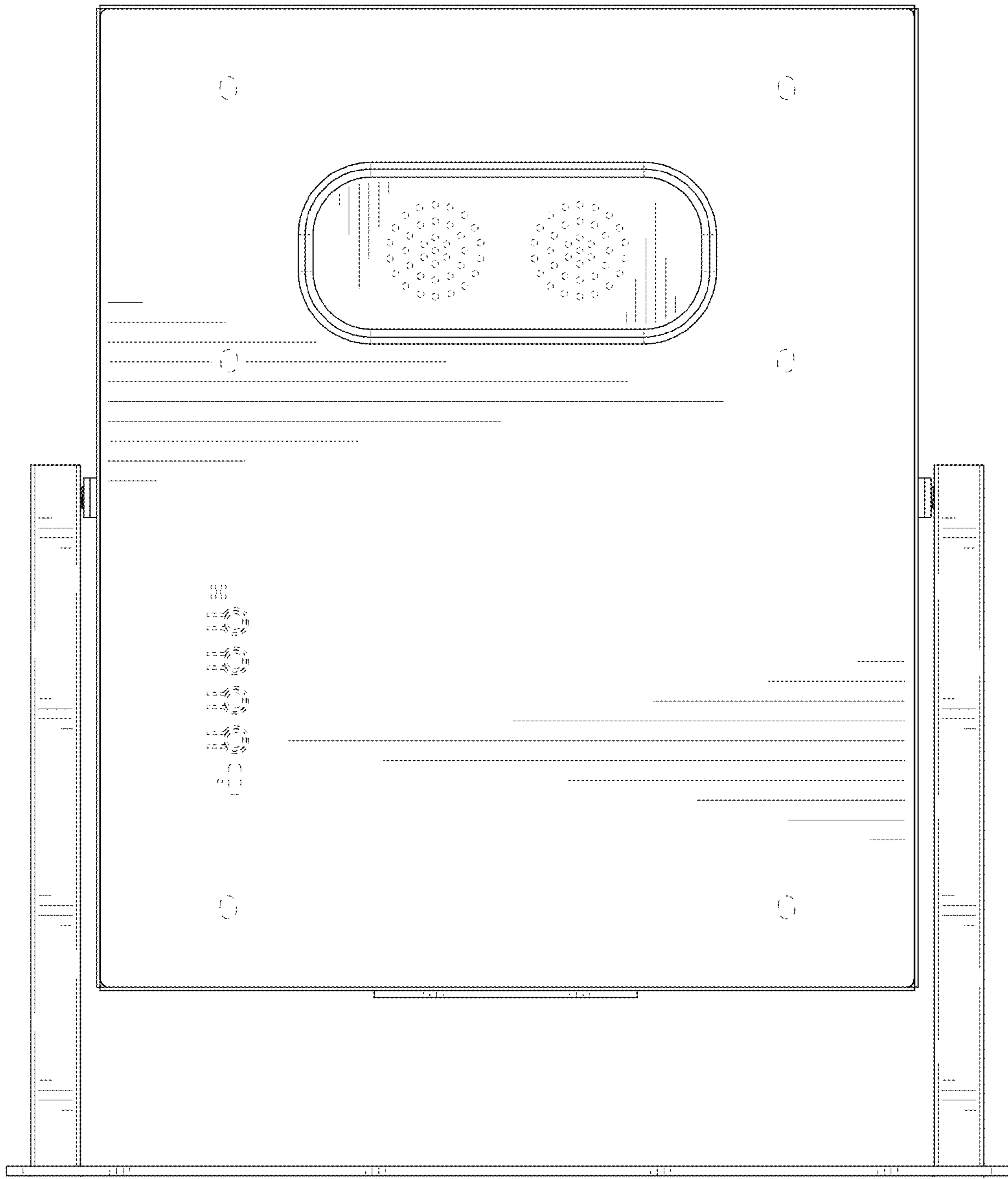


FIG. 20

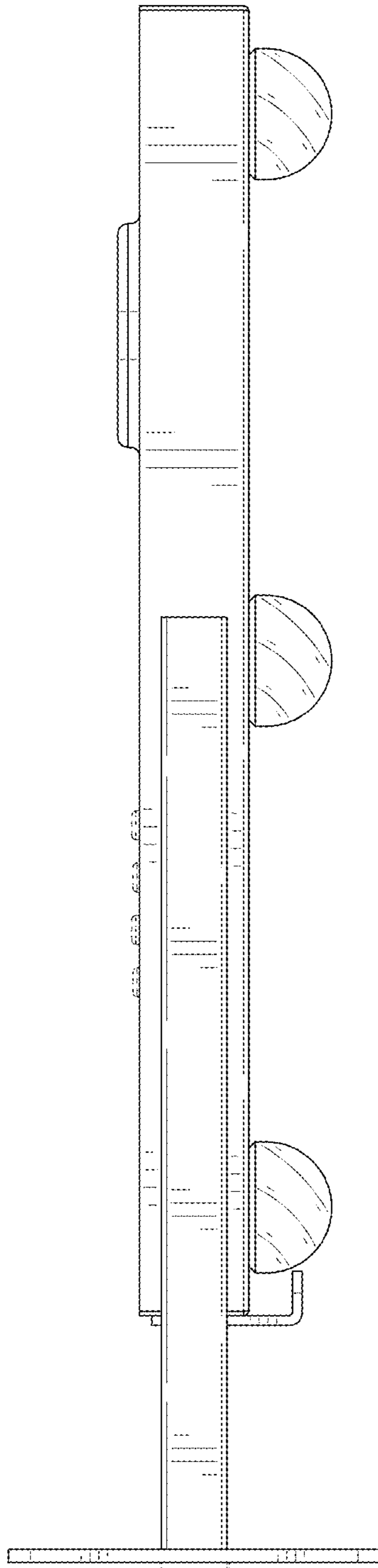


FIG. 21

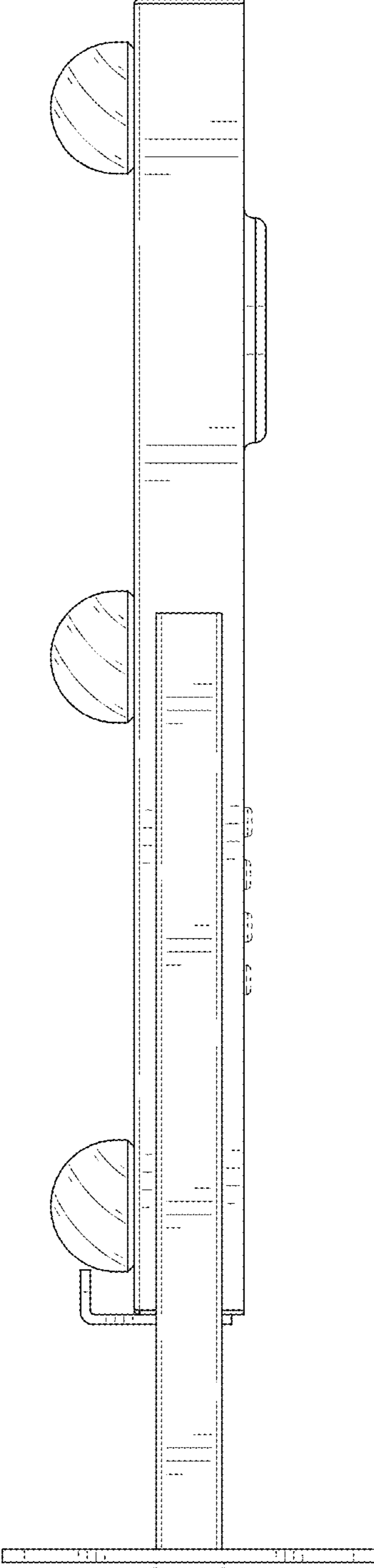


FIG. 22



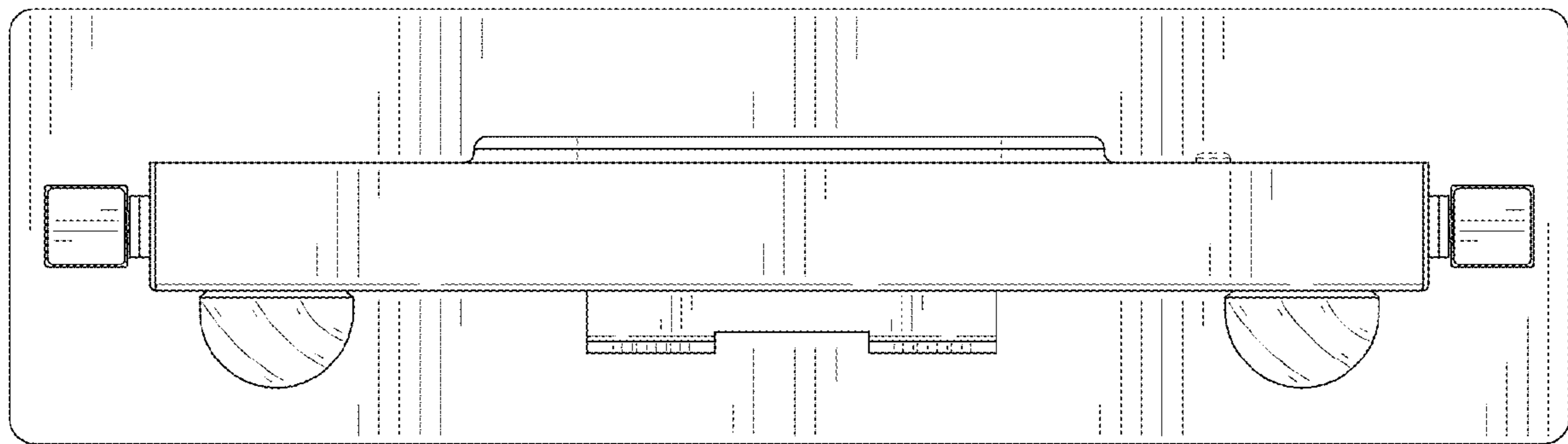


FIG. 23

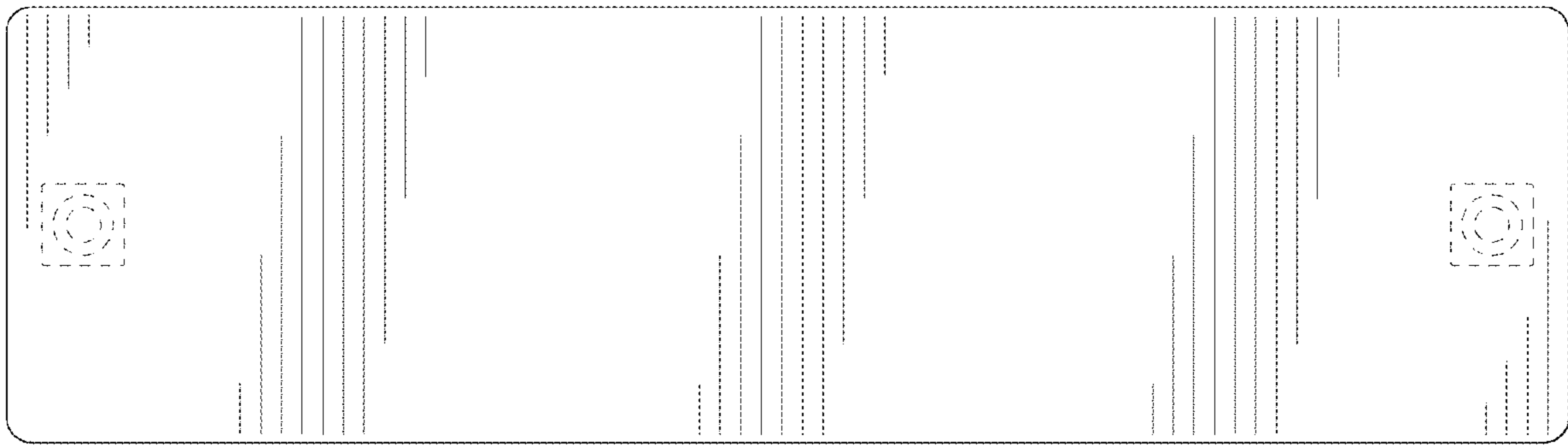


FIG. 24