



US00D968100S

(12) **United States Design Patent** (10) **Patent No.:** **US D968,100 S**
Gurreri et al. (45) **Date of Patent:** **** Nov. 1, 2022**

(54) **PAD PAINTER**

(71) Applicant: **SWIMC LLC**, Cleveland, OH (US)

(72) Inventors: **Christopher Nicholas Gurreri**,
Cleveland, OH (US); **Jennifer S. Kitchen**,
Cleveland, OH (US); **Michael C. Lambertson, Jr.**,
Cleveland, OH (US); **Connie M. McKinney**,
Cleveland, OH (US)

(73) Assignee: **SWIMC LLC**, Cleveland, OH (US)

(**) Term: **15 Years**

(21) Appl. No.: **29/738,160**

(22) Filed: **Jun. 15, 2020**

(51) **LOC (13) Cl.** **04-99**

(52) **U.S. Cl.**
USPC **D4/138**

(58) **Field of Classification Search**
USPC **D4/117-138; D7/688; D19/110**

(Continued)

(56) **References Cited**

U.S. PATENT DOCUMENTS

2,955,308 A 10/1960 Nelson
3,389,418 A 6/1968 Sencabaugh
(Continued)

FOREIGN PATENT DOCUMENTS

GB 6110030 * 12/2020

OTHER PUBLICATIONS

Dexter Russell, announced Sep. 2021 [online], [site visited Aug. 30, 2021]. Available from internet, URL: <https://www.webstaurantstore.com/dexter-russell-31641-4-x-2-1-2-solid-turner-plastic-handle/69333970.html> (Year: 2021).*

(Continued)

Primary Examiner — Cynthia Ramirez

Assistant Examiner — Tamara L Hahn

(74) *Attorney, Agent, or Firm* — Tucker Ellis LLP

(57) **CLAIM**

The ornamental design for a pad painter, as shown and described.

DESCRIPTION

FIG. 1 is a top-front perspective view of a pad painter according to a first embodiment of our new design;

FIG. 2 is a front view thereof;

FIG. 3 is a rear view thereof;

FIG. 4 is a right-side view thereof;

FIG. 5 is a left-side view thereof;

FIG. 6 is a top view thereof;

FIG. 7 is a bottom view thereof;

FIG. 8 is a rear-bottom perspective view;

FIG. 9 is a top-front perspective view of a pad painter according to a second embodiment of our new design;

FIG. 10 is a front view thereof;

FIG. 11 is a rear view thereof;

FIG. 12 is a right-side view thereof;

FIG. 13 is a left-side view thereof;

FIG. 14 is a top view thereof;

FIG. 15 is a bottom view thereof;

FIG. 16 is a rear-bottom perspective view;

FIG. 17 is a top-front perspective view of a pad painter according to a third embodiment of our new design;

FIG. 18 is a front view thereof;

FIG. 19 is a rear view thereof;

FIG. 20 is a right-side view thereof;

FIG. 21 is a left-side view thereof;

FIG. 22 is a top view thereof;

FIG. 23 is a bottom view thereof;

FIG. 24 is a rear-bottom perspective view;

FIG. 25 is a top-front perspective view of a pad painter according to a fourth embodiment of our new design;

FIG. 26 is a front view thereof;

FIG. 27 is a rear view thereof;

FIG. 28 is a right-side view thereof;

FIG. 29 is a left-side view thereof;

(Continued)

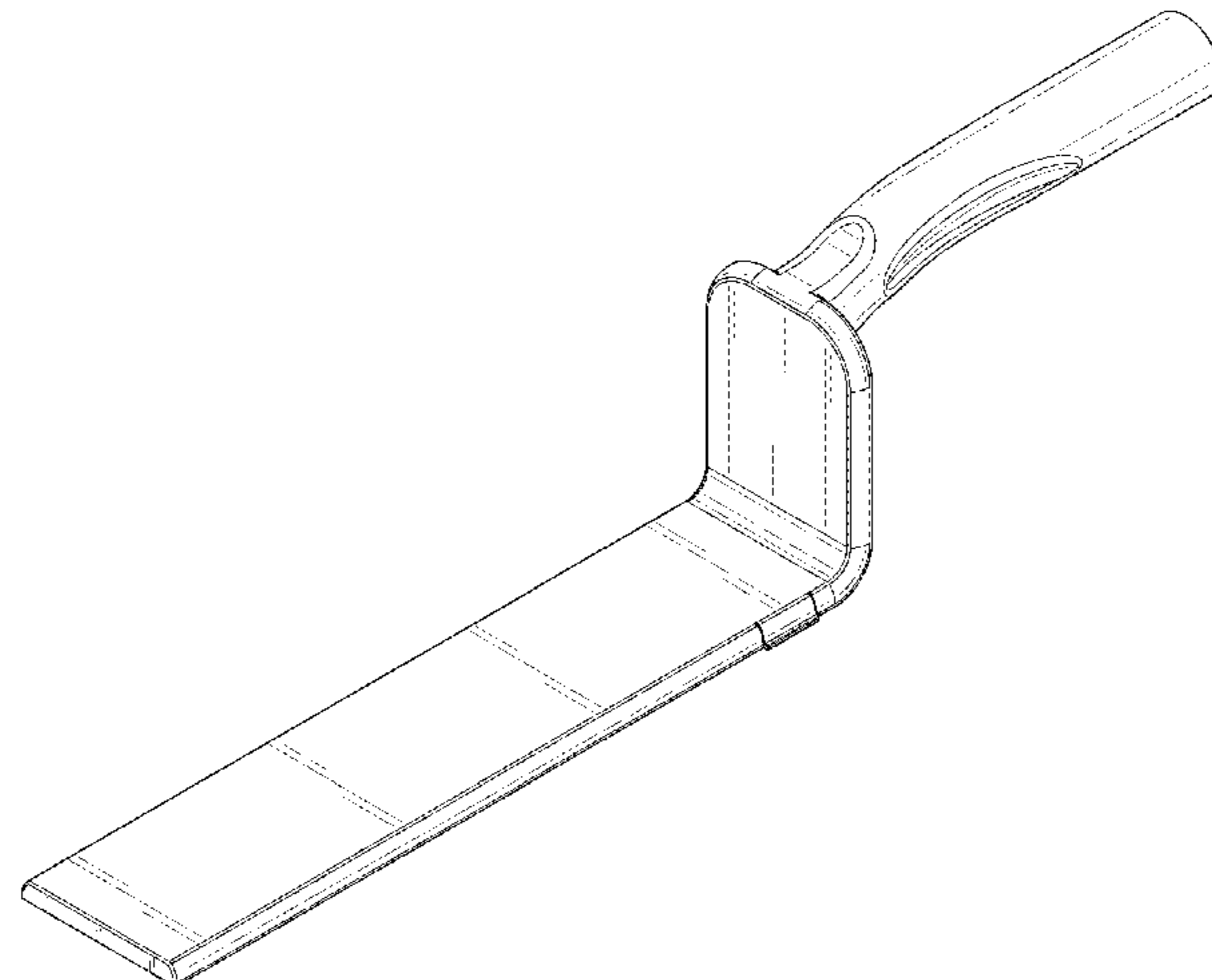


FIG. 30 is a top view thereof;
 FIG. 31 is a bottom view thereof;
 FIG. 32 is a rear-bottom perspective view;
 FIG. 33 is a top-front perspective view of a pad painter according to a fifth embodiment of our new design;
 FIG. 34 is a front view thereof;
 FIG. 35 is a rear view thereof;
 FIG. 36 is a right-side view thereof;
 FIG. 37 is a left-side view thereof;
 FIG. 38 is a top view thereof;
 FIG. 39 is a bottom view thereof;
 FIG. 40 is a rear-bottom perspective view;
 FIG. 41 is a top-front perspective view of a pad painter according to a sixth embodiment of our new design;
 FIG. 42 is a front view thereof;
 FIG. 43 is a rear view thereof;
 FIG. 44 is a right-side view thereof;
 FIG. 45 is a left-side view thereof;
 FIG. 46 is a top view thereof;
 FIG. 47 is a bottom view thereof; and,
 FIG. 48 is a rear-bottom perspective view.

1 Claim, 48 Drawing Sheets

(58) **Field of Classification Search**

CPC A47J 43/288; A47J 43/0727
 See application file for complete search history.

(56)

References Cited

U.S. PATENT DOCUMENTS

D224,713	S	9/1972	Schmitz et al.	
4,224,713	A	9/1980	Trent	
5,774,925	A	7/1998	Pryor, III	
6,012,750	A *	1/2000	Swartz	A47J 43/288 294/7
7,076,826	B2	7/2006	Hochanandel	
7,412,742	B2	8/2008	Esquivel et al.	
9,180,479	B1	11/2015	Ries	
D828,087	S *	9/2018	Munari	D7/395
10,165,900	B1 *	1/2019	Rankin, V	A47J 43/288
10,166,569	B1	1/2019	Ries et al.	
D851,942	S *	6/2019	Lee	D4/138
D925,042	S *	7/2021	Thao	D24/176
D948,222	S *	4/2022	Gurreri	D4/138
2007/0157408	A1	7/2007	Bargiel et al.	
2018/0353989	A1	12/2018	Ries	

OTHER PUBLICATIONS

Williams Sonoma, announced 2021 [online], [site visited Aug. 30, 2021], Available from internet, URL: <https://www.williams-sonoma.com/products/open-kitchen-by-williams-sonoma-stainless-steel-spatula/> (Year: 2021).*

* cited by examiner

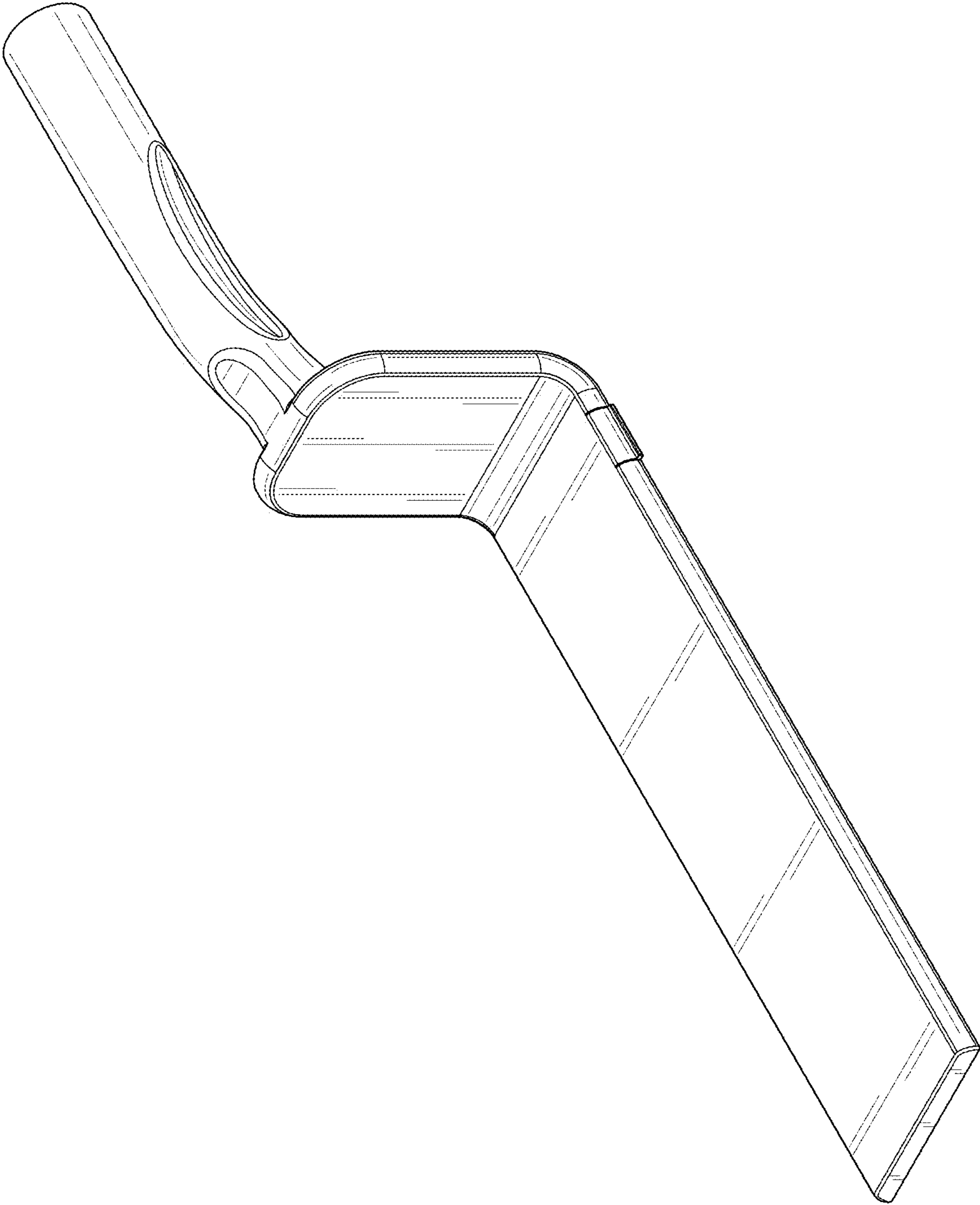


FIG. 1

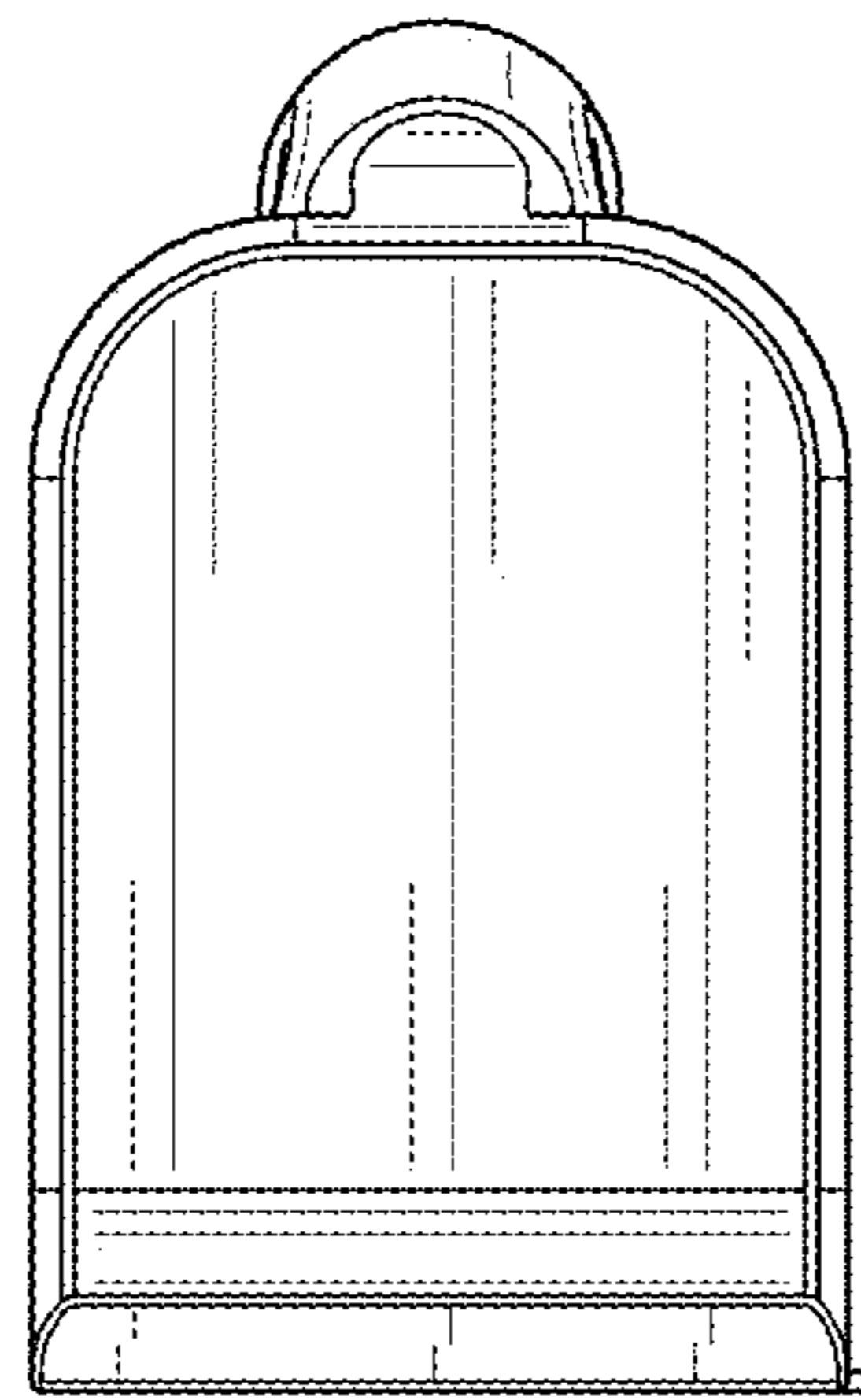


FIG. 2

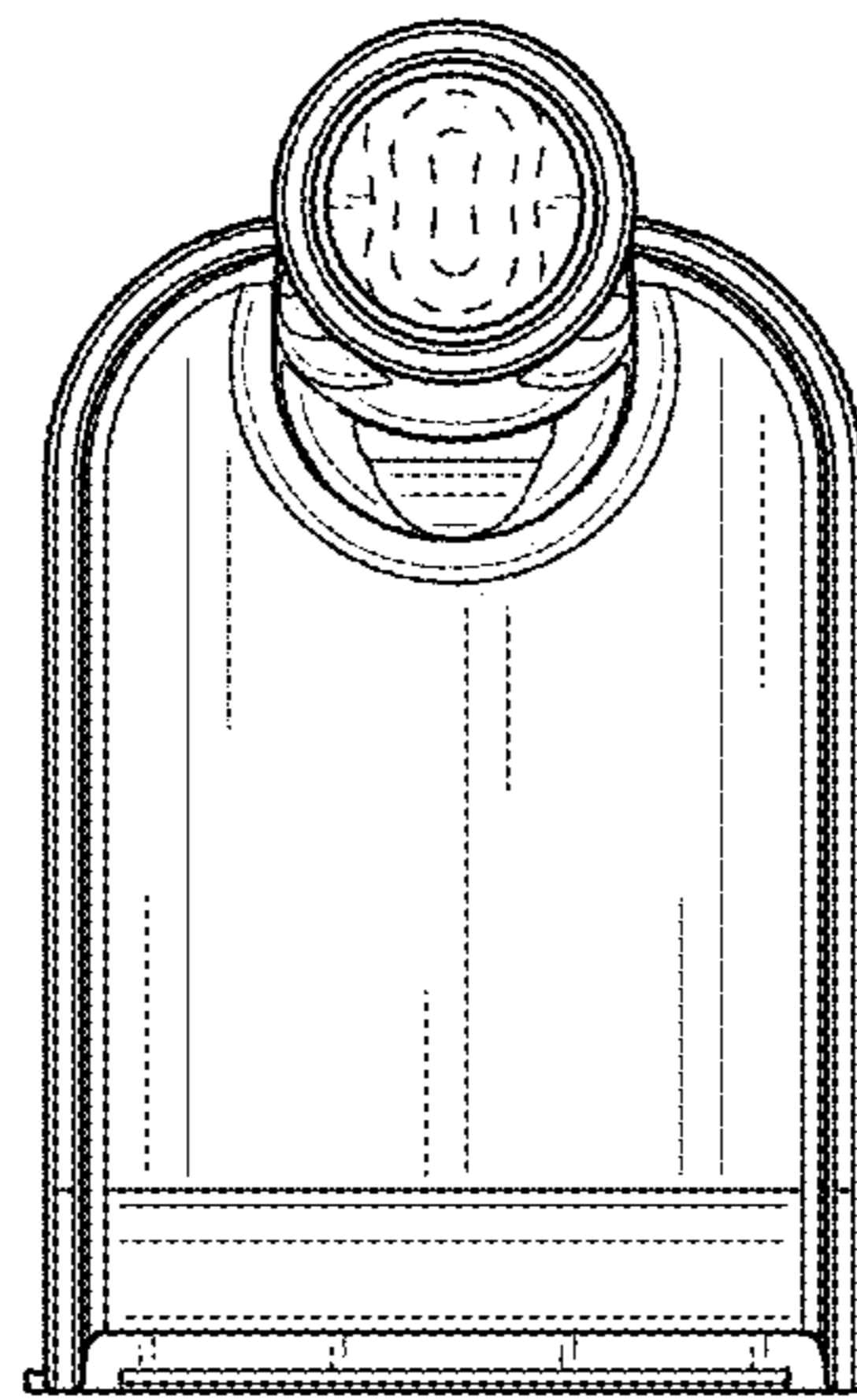


FIG. 3

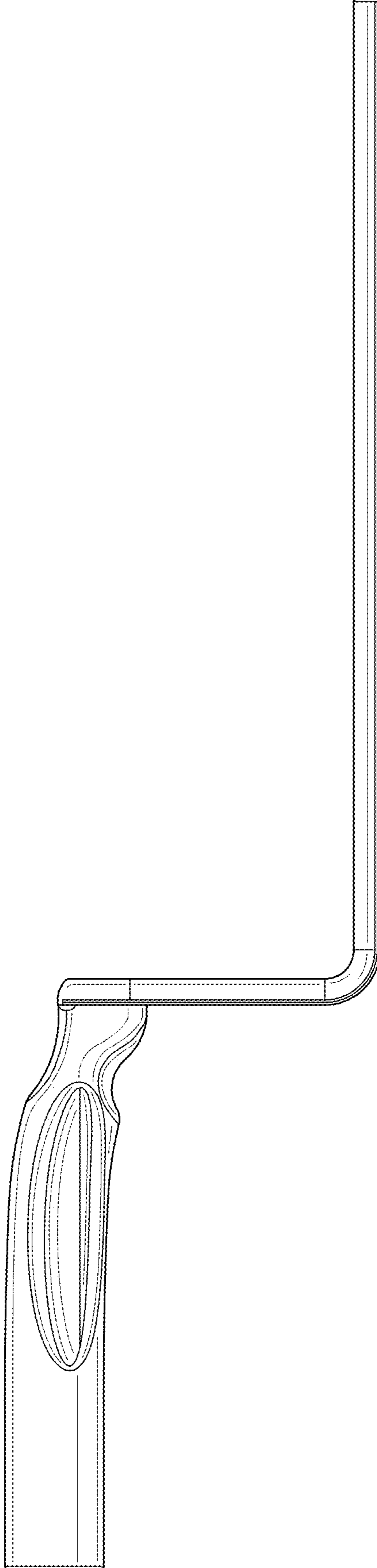


FIG. 4

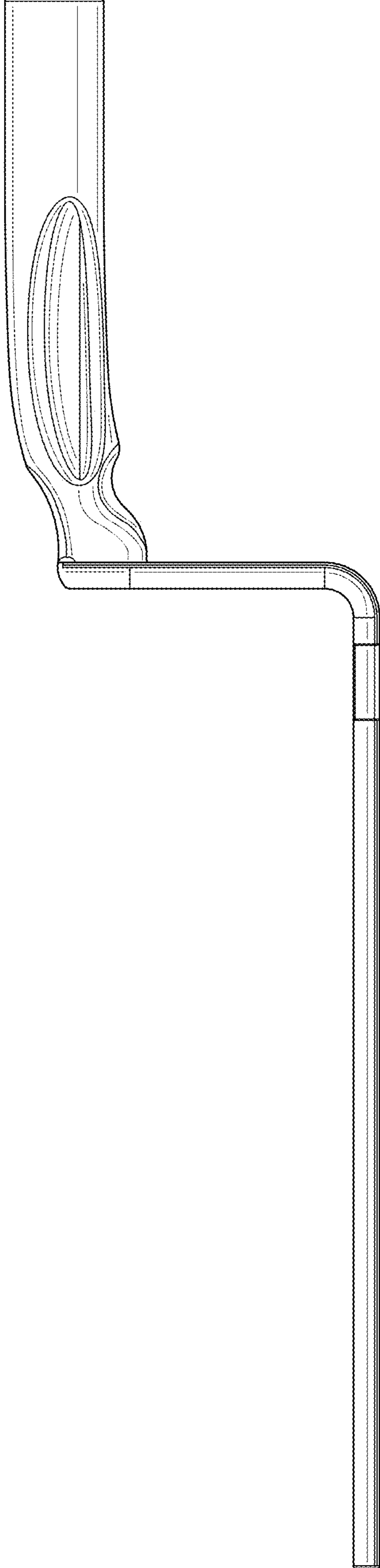


FIG. 5

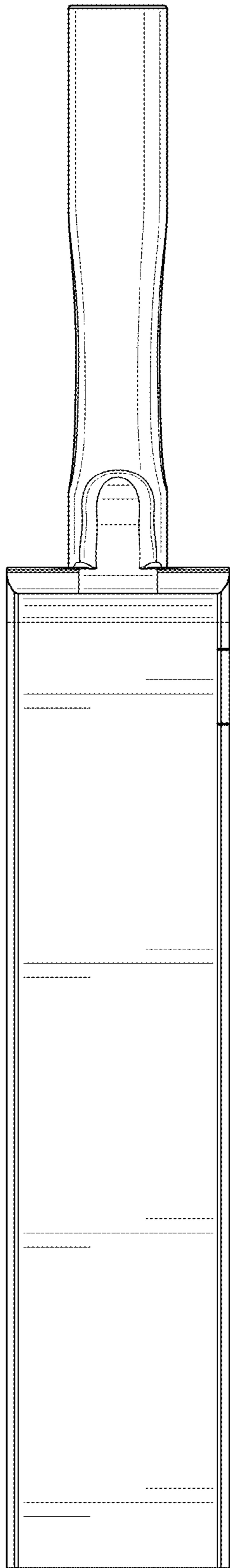


FIG. 6

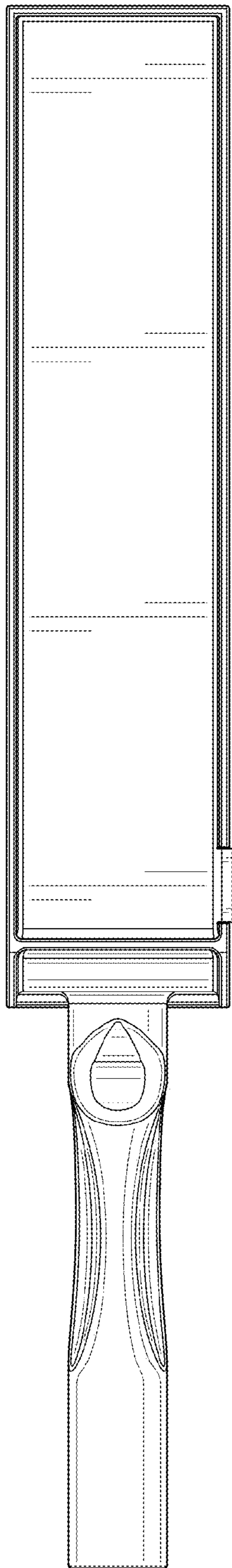


FIG. 7

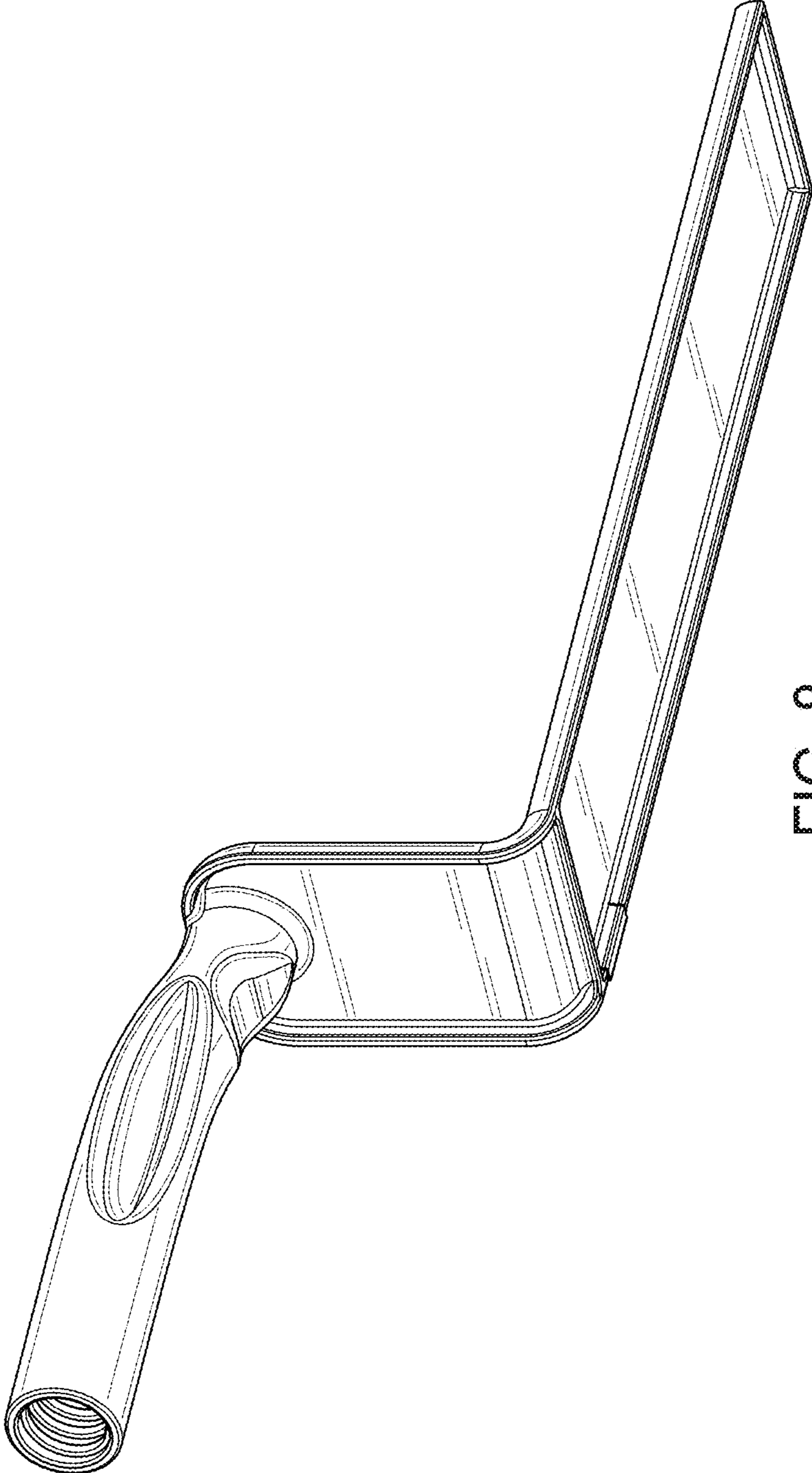


FIG. 8

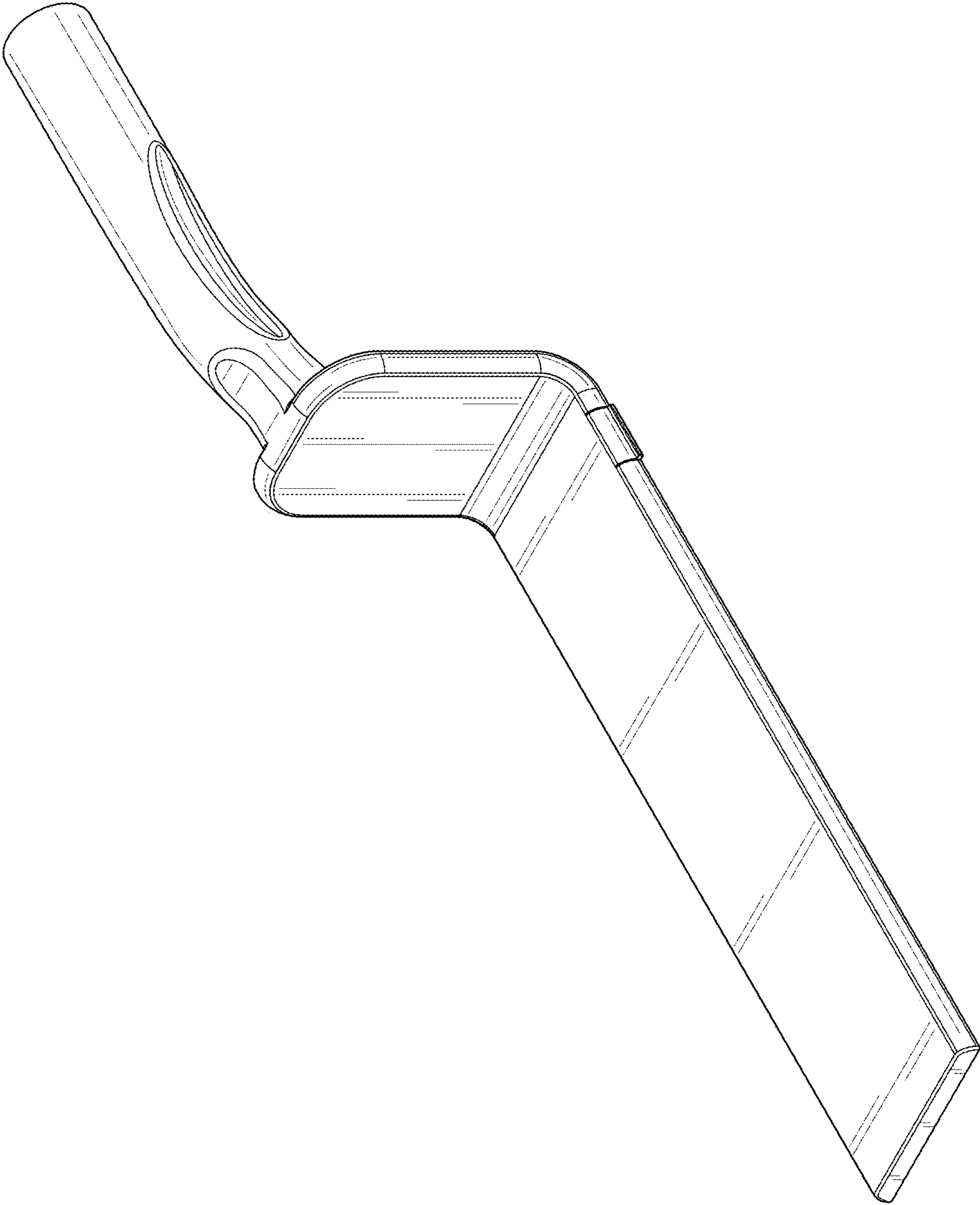


FIG. 9

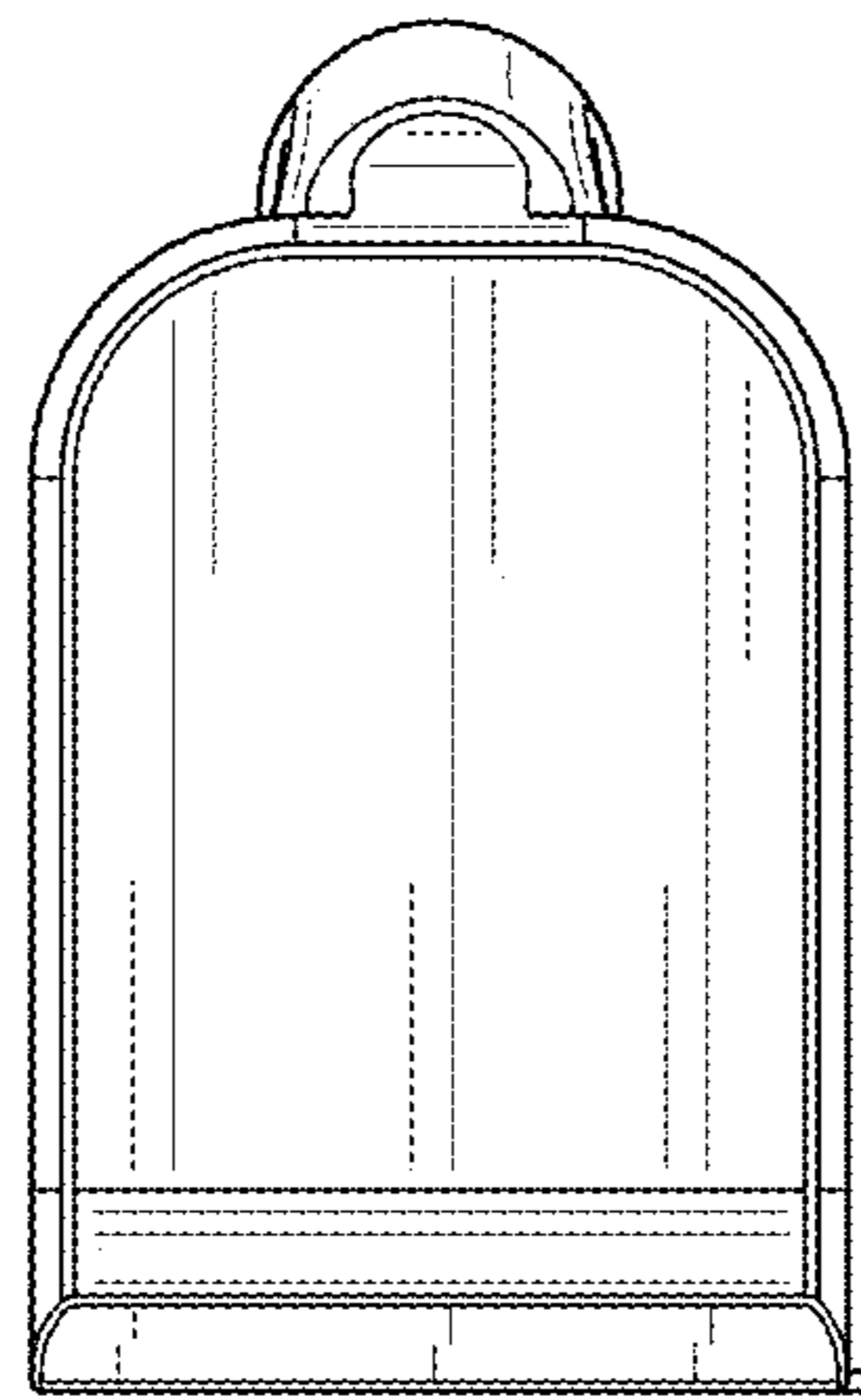


FIG. 10

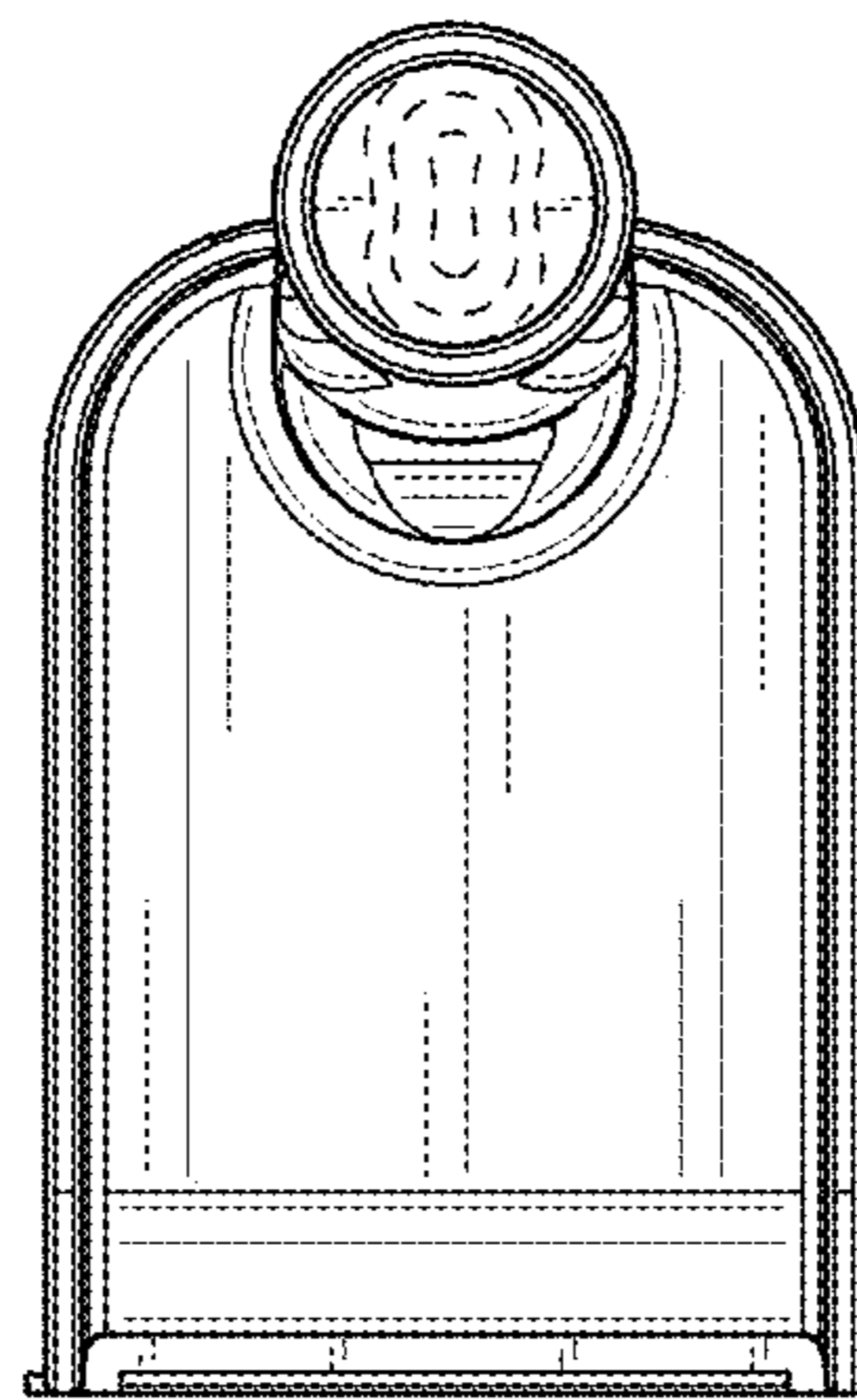


FIG. 11

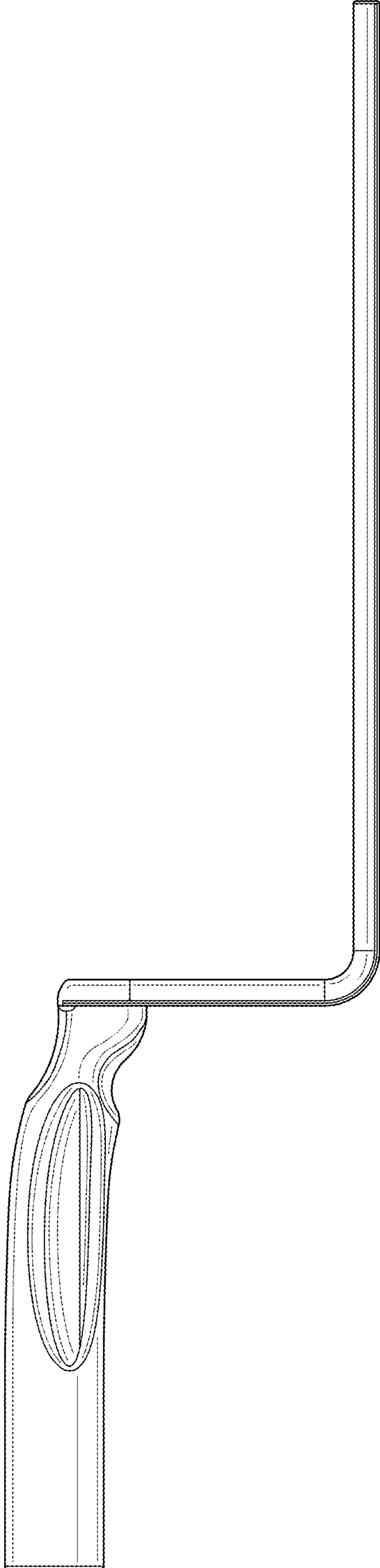


FIG. 12

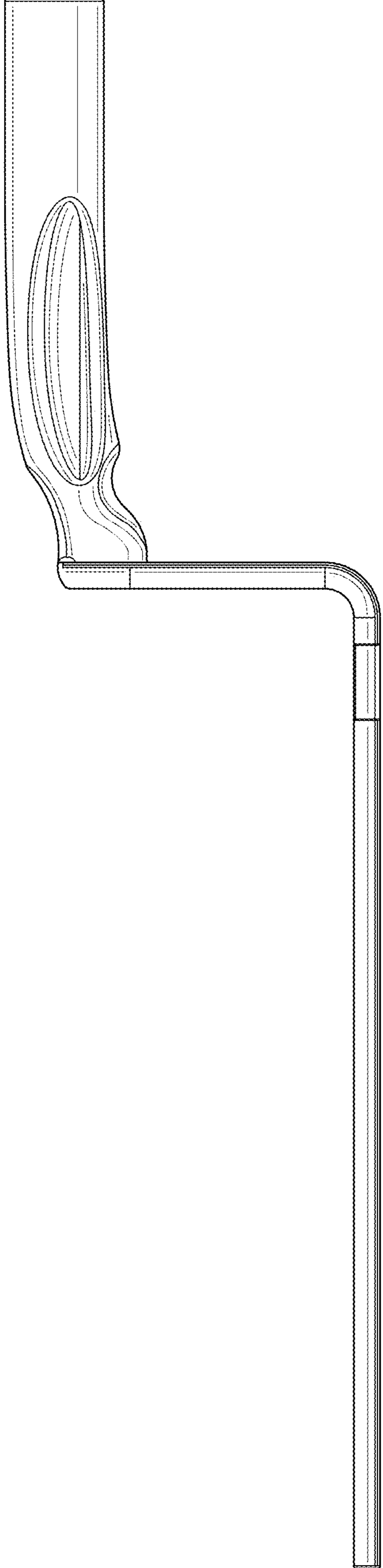


FIG. 13

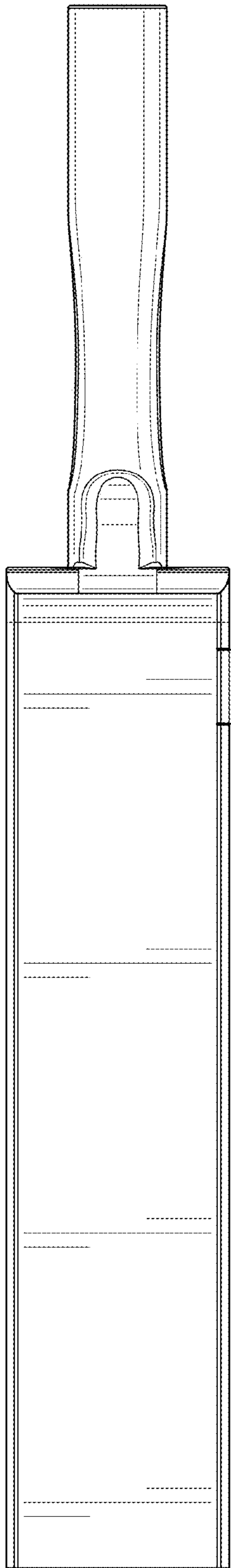


FIG. 14

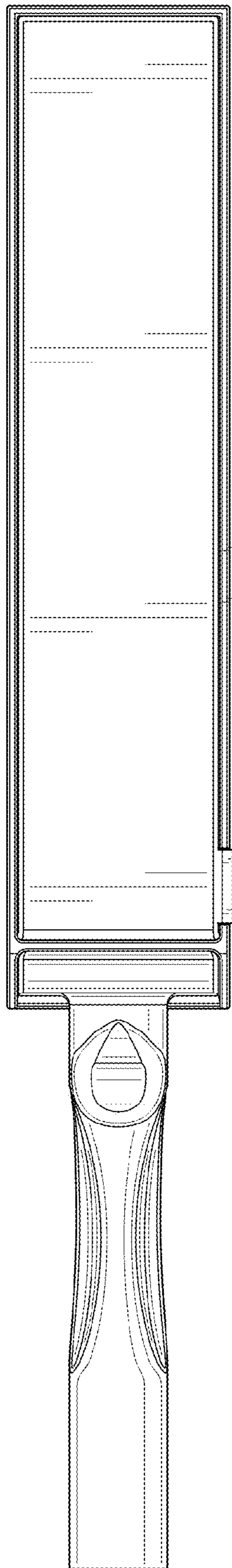


FIG. 15

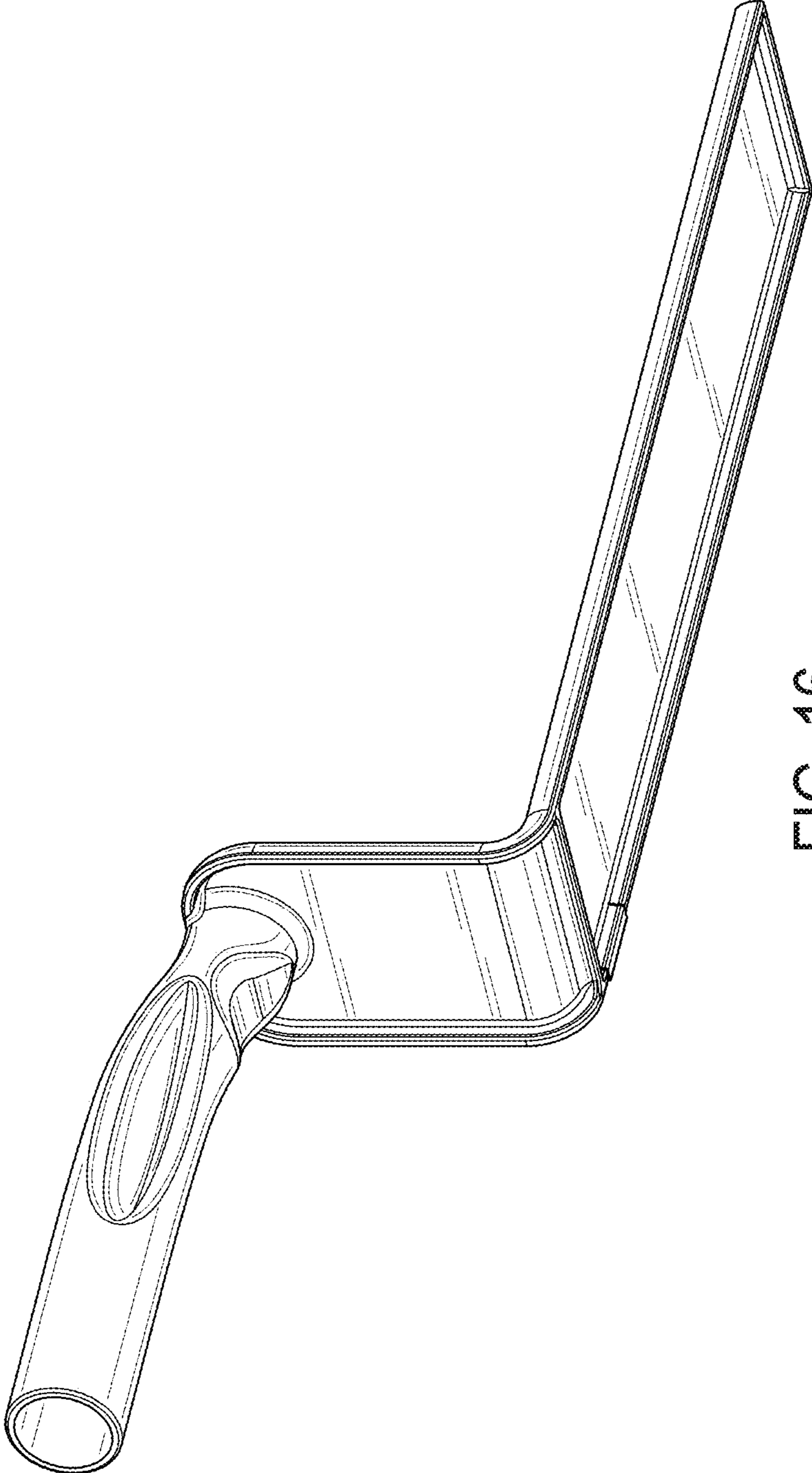


FIG. 16

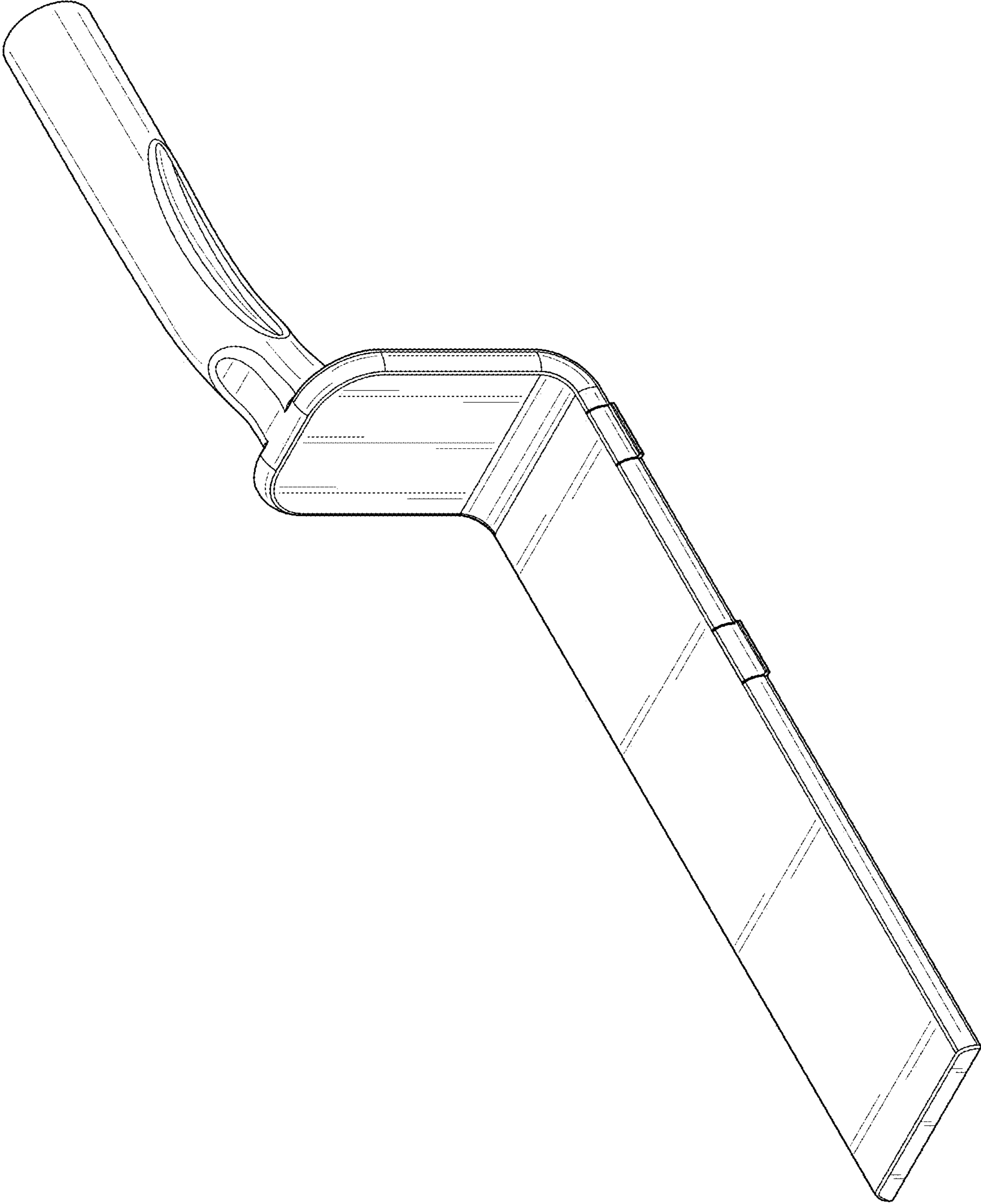


FIG. 17

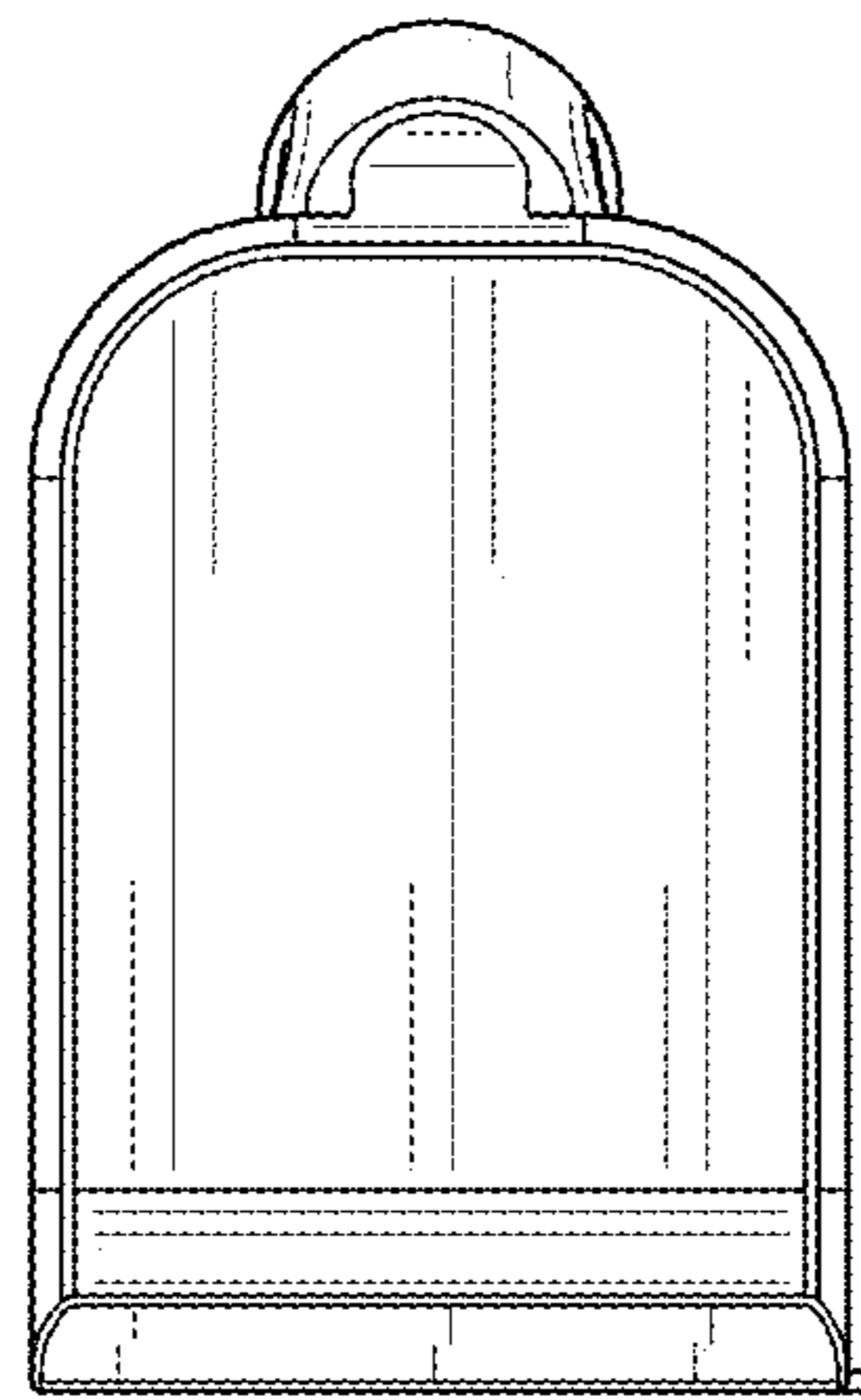


FIG. 18

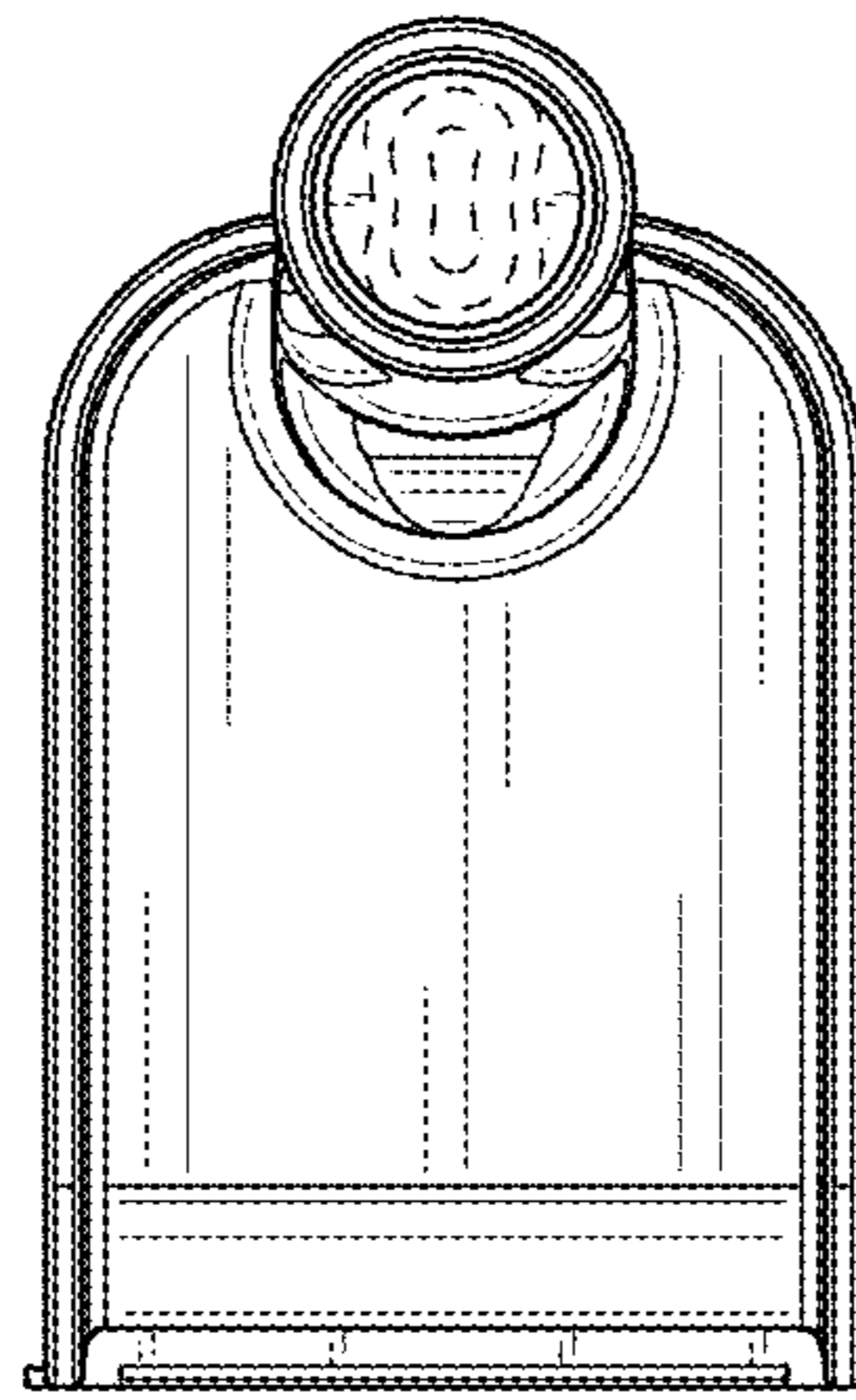


FIG. 19

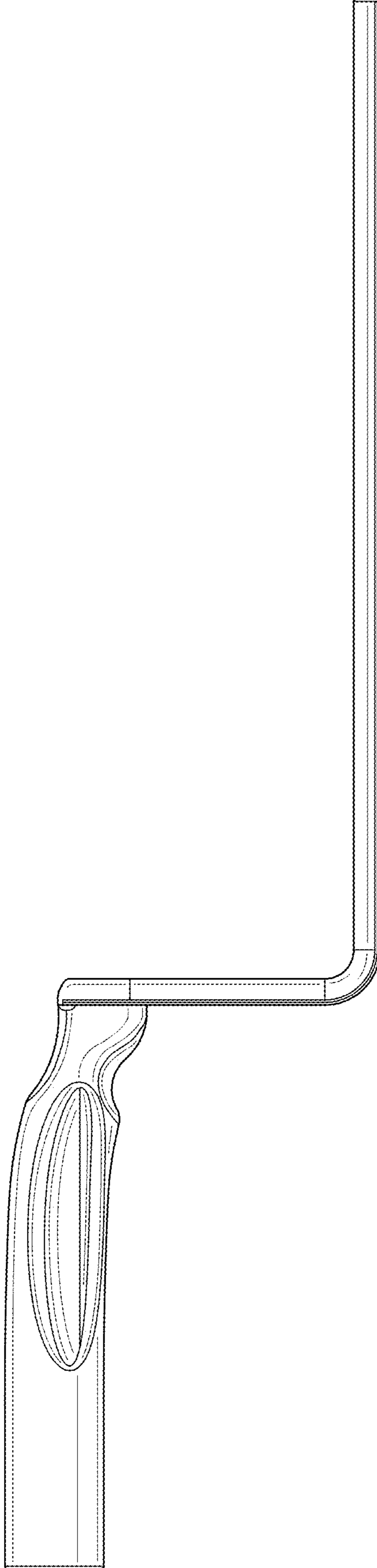


FIG. 20

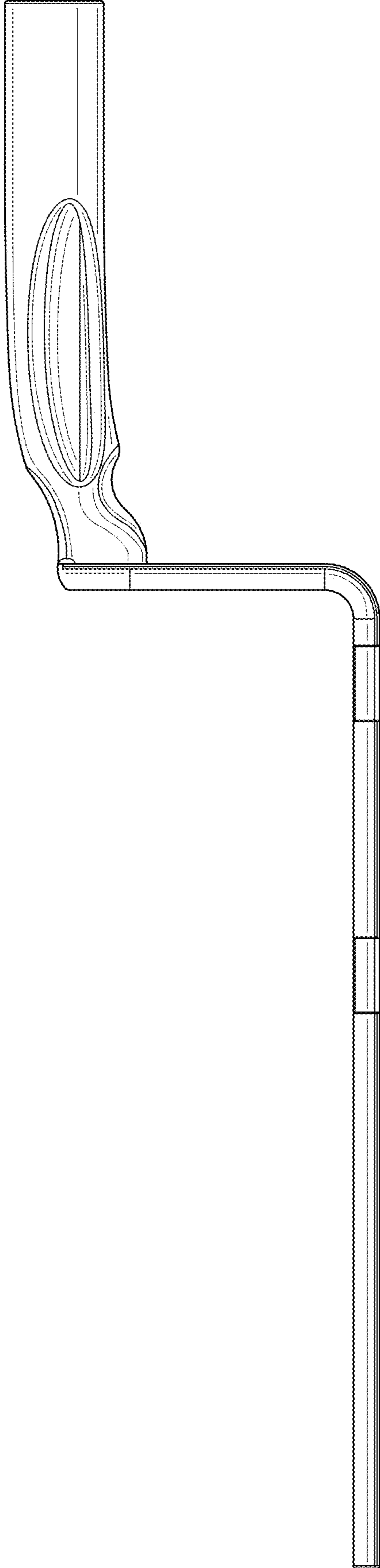


FIG. 21

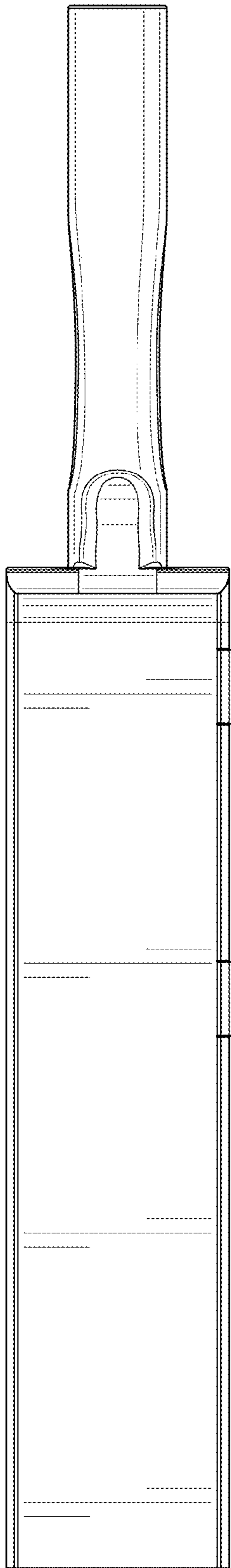


FIG. 22

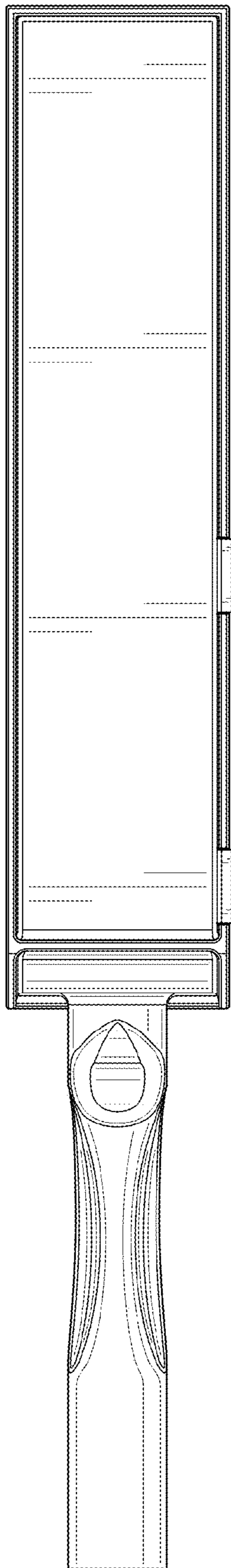


FIG. 23

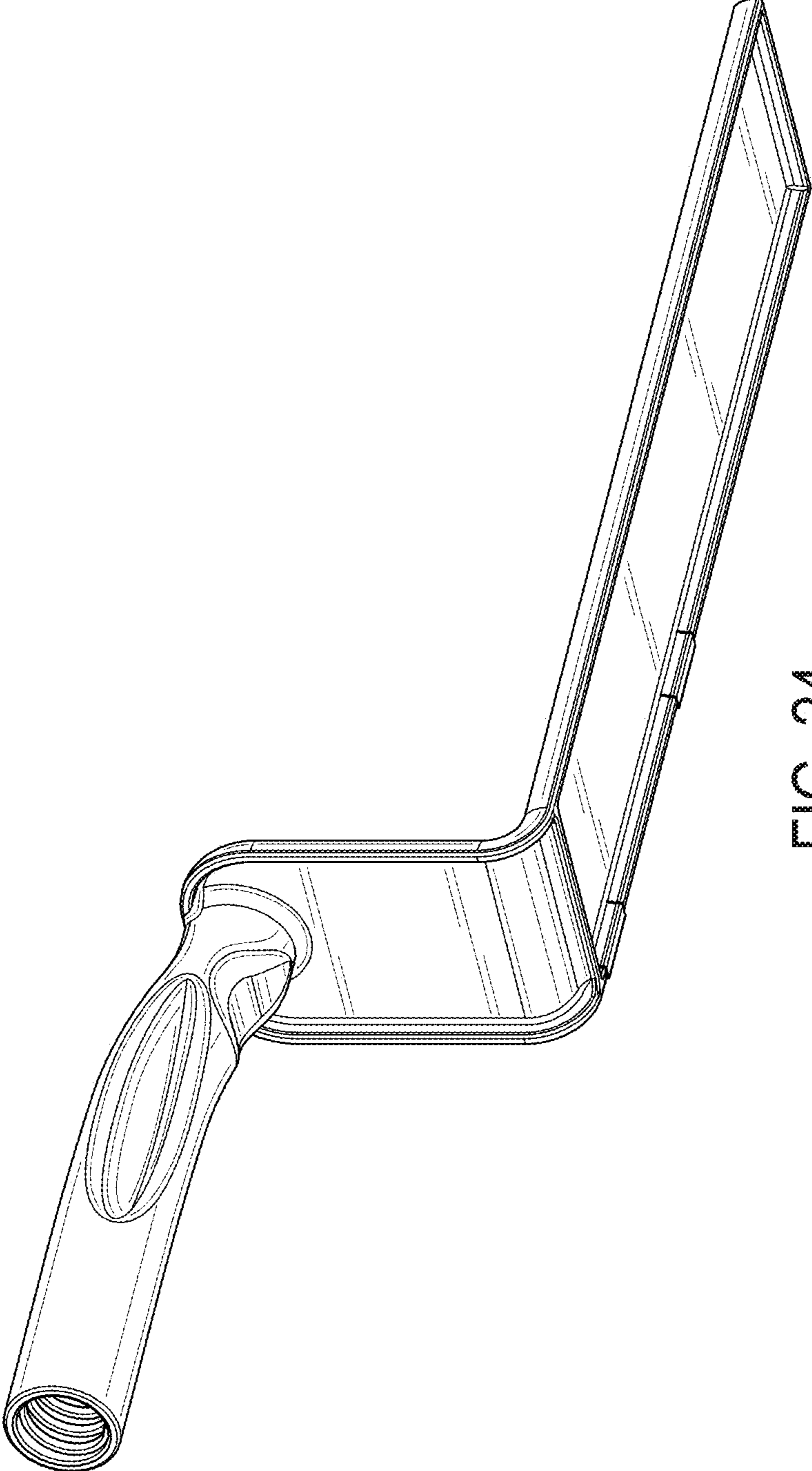


FIG. 24

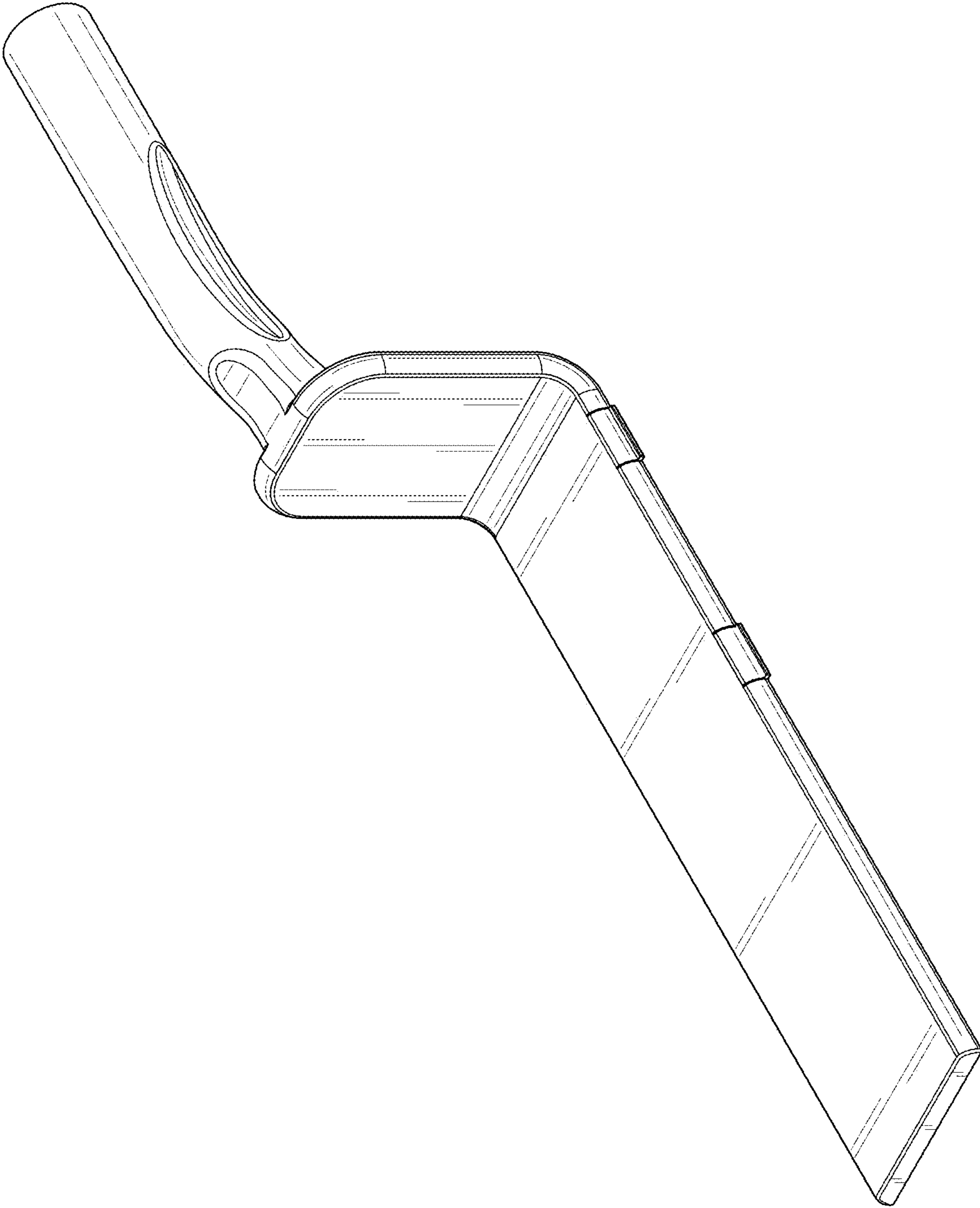


FIG. 25

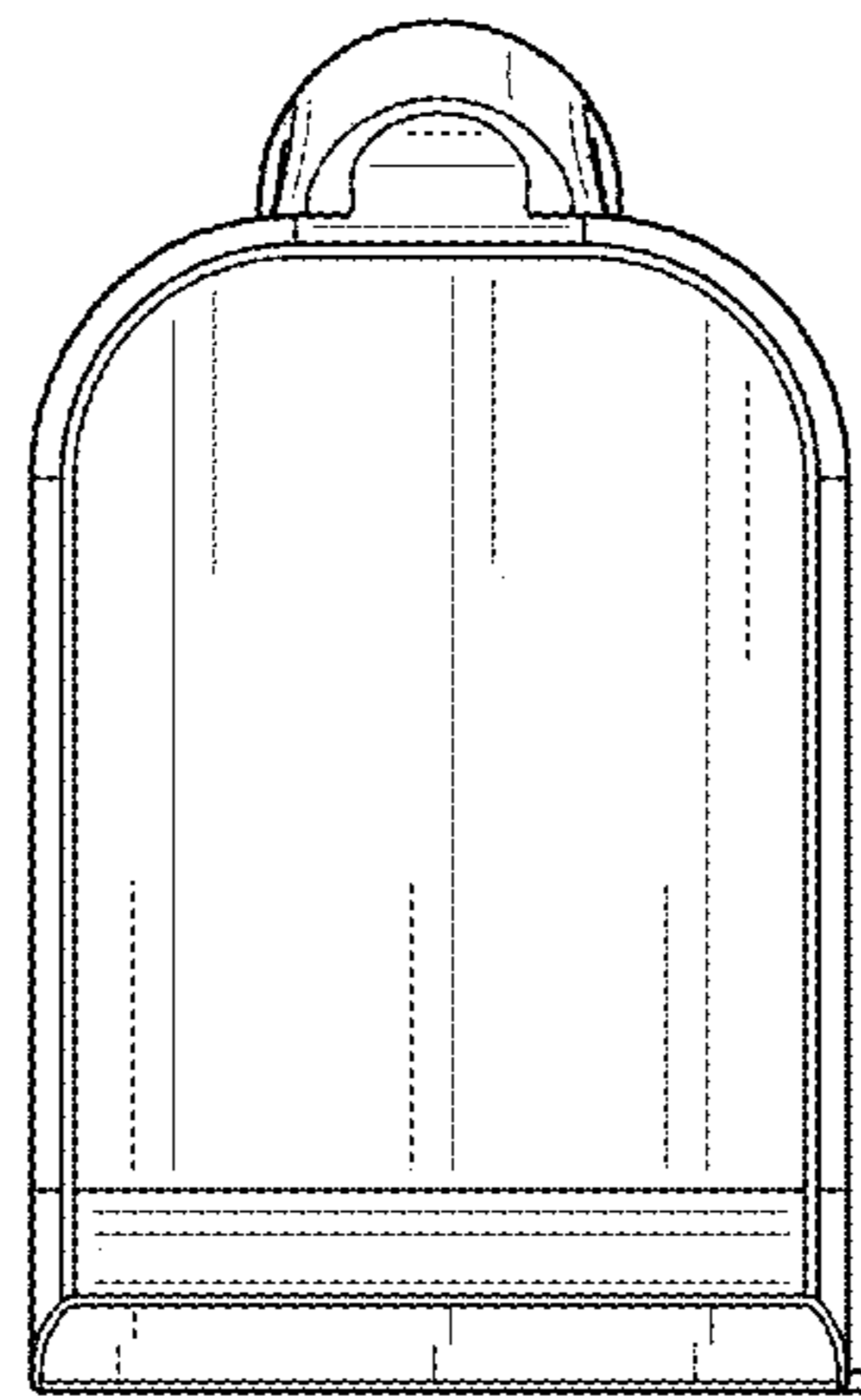


FIG. 26

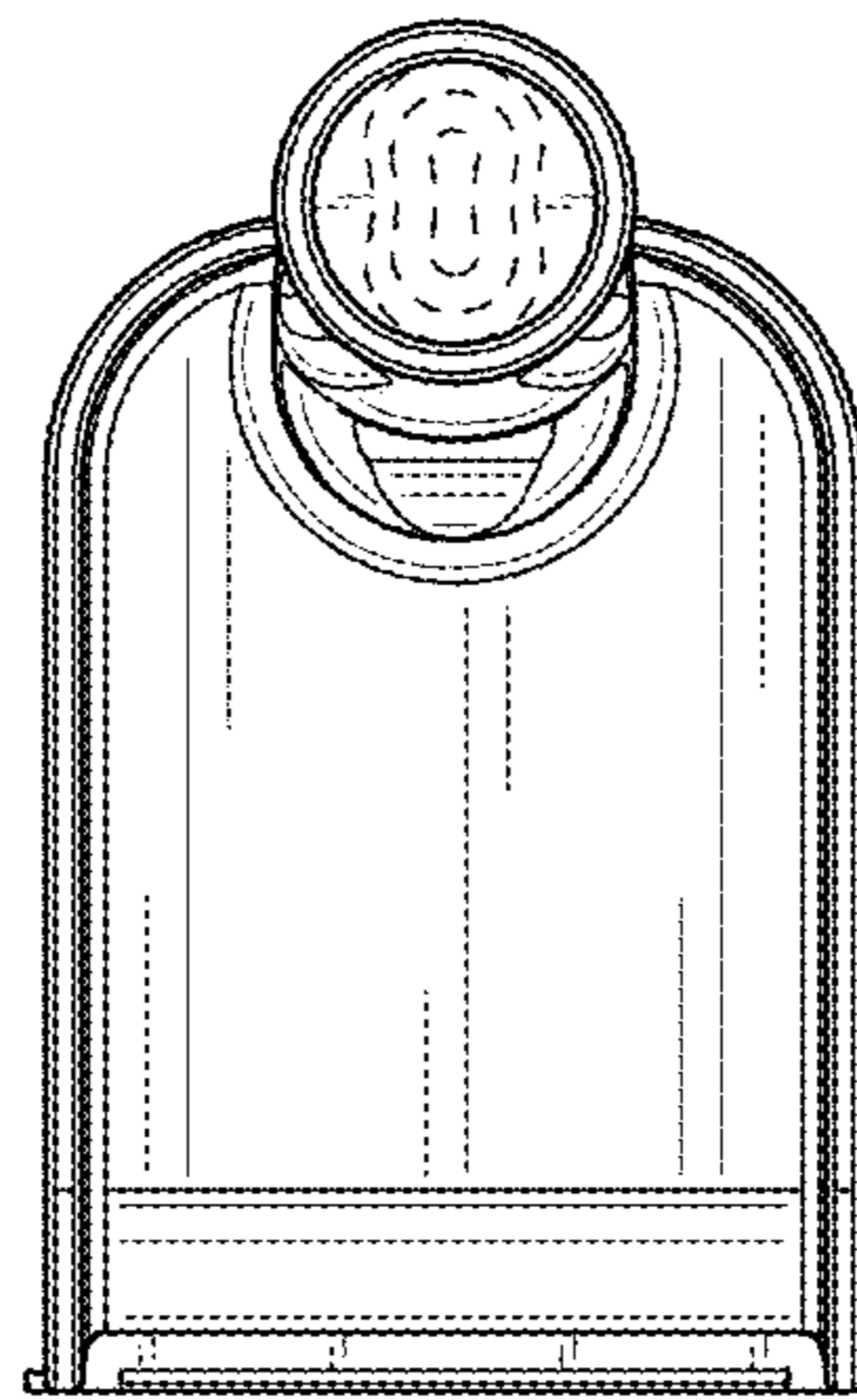


FIG. 27

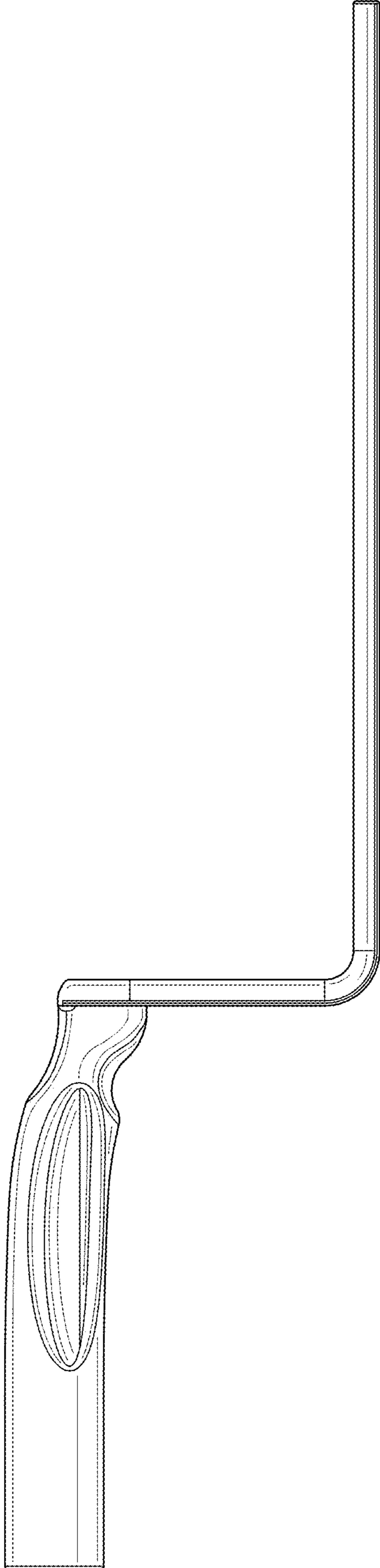


FIG. 28

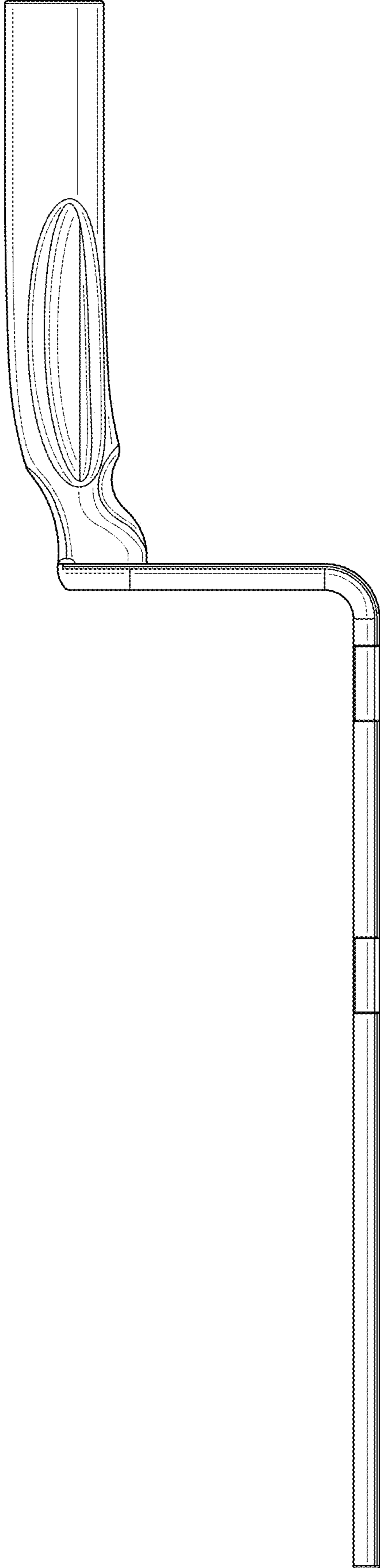


FIG. 29

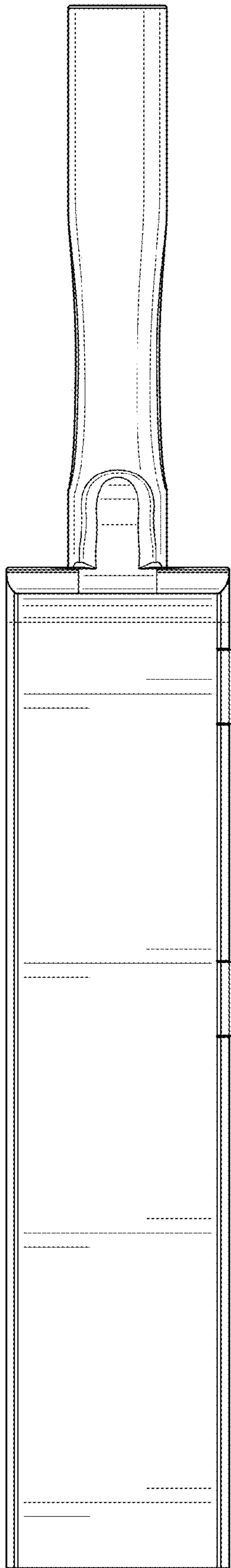


FIG. 30

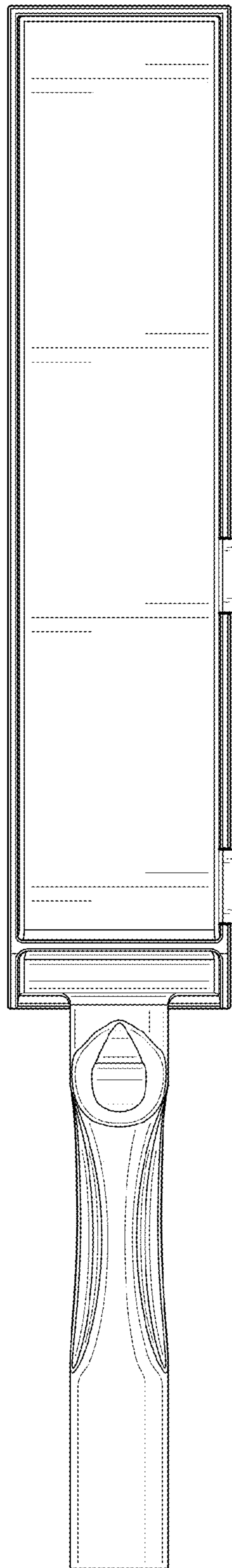


FIG. 31

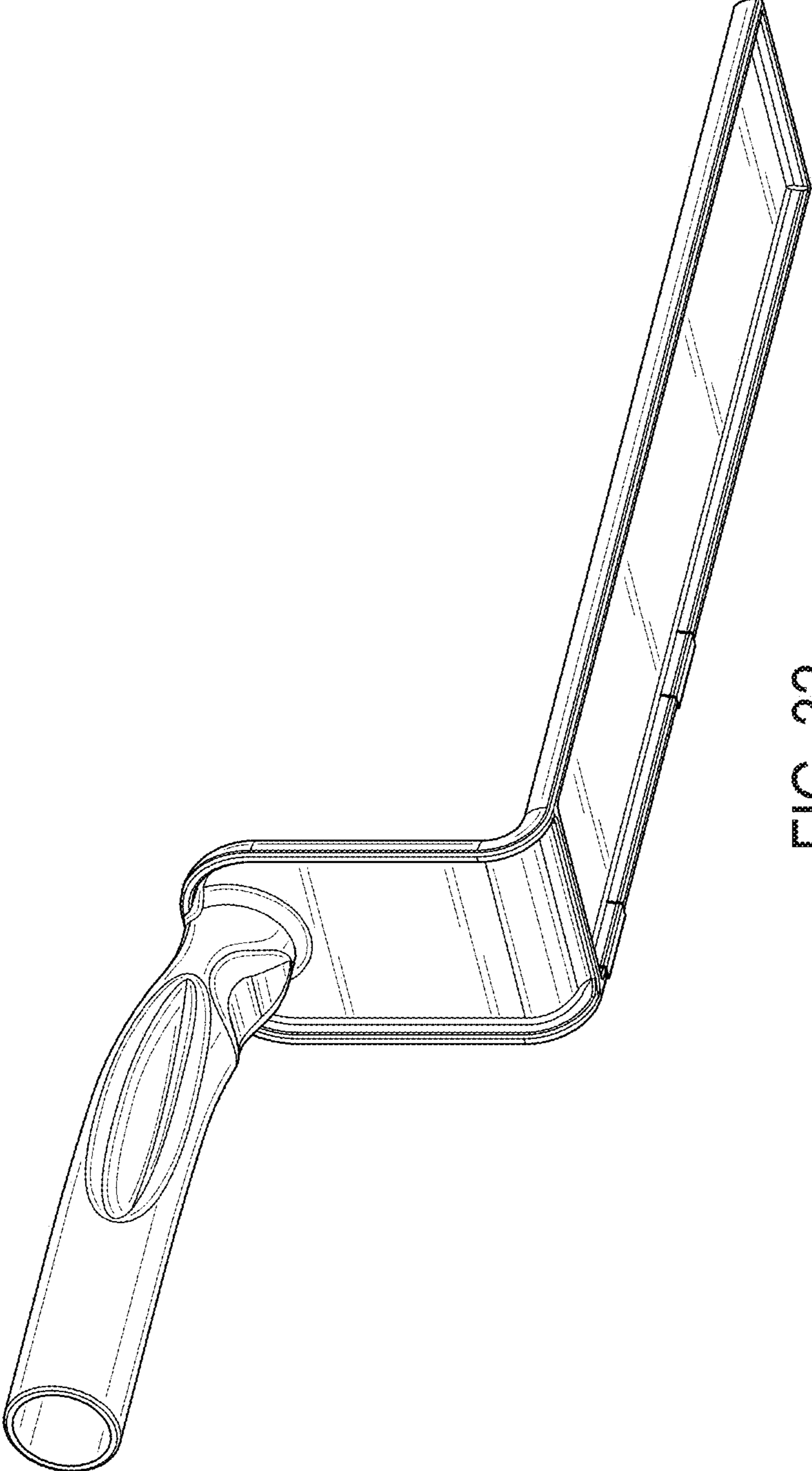


FIG. 32

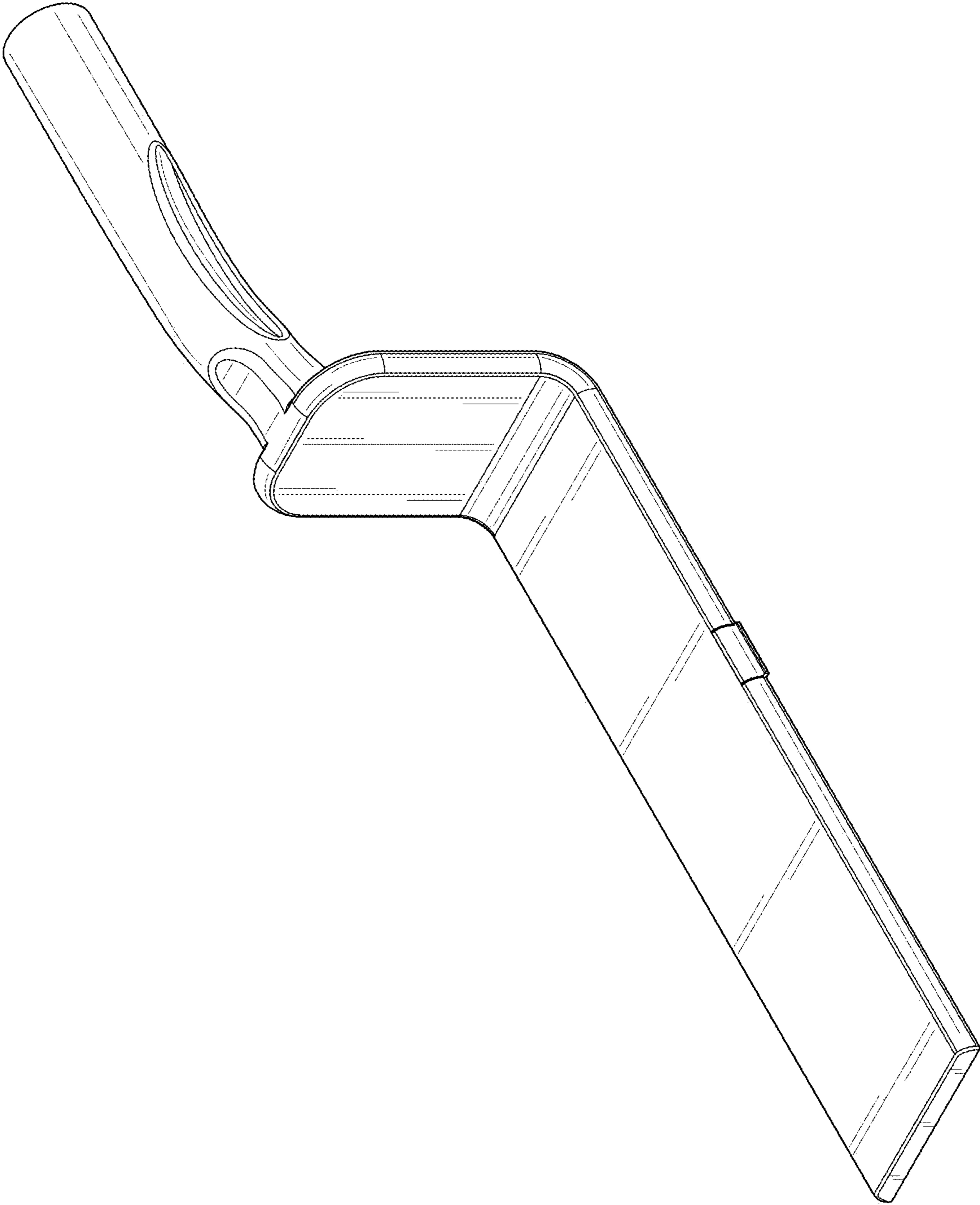


FIG. 33

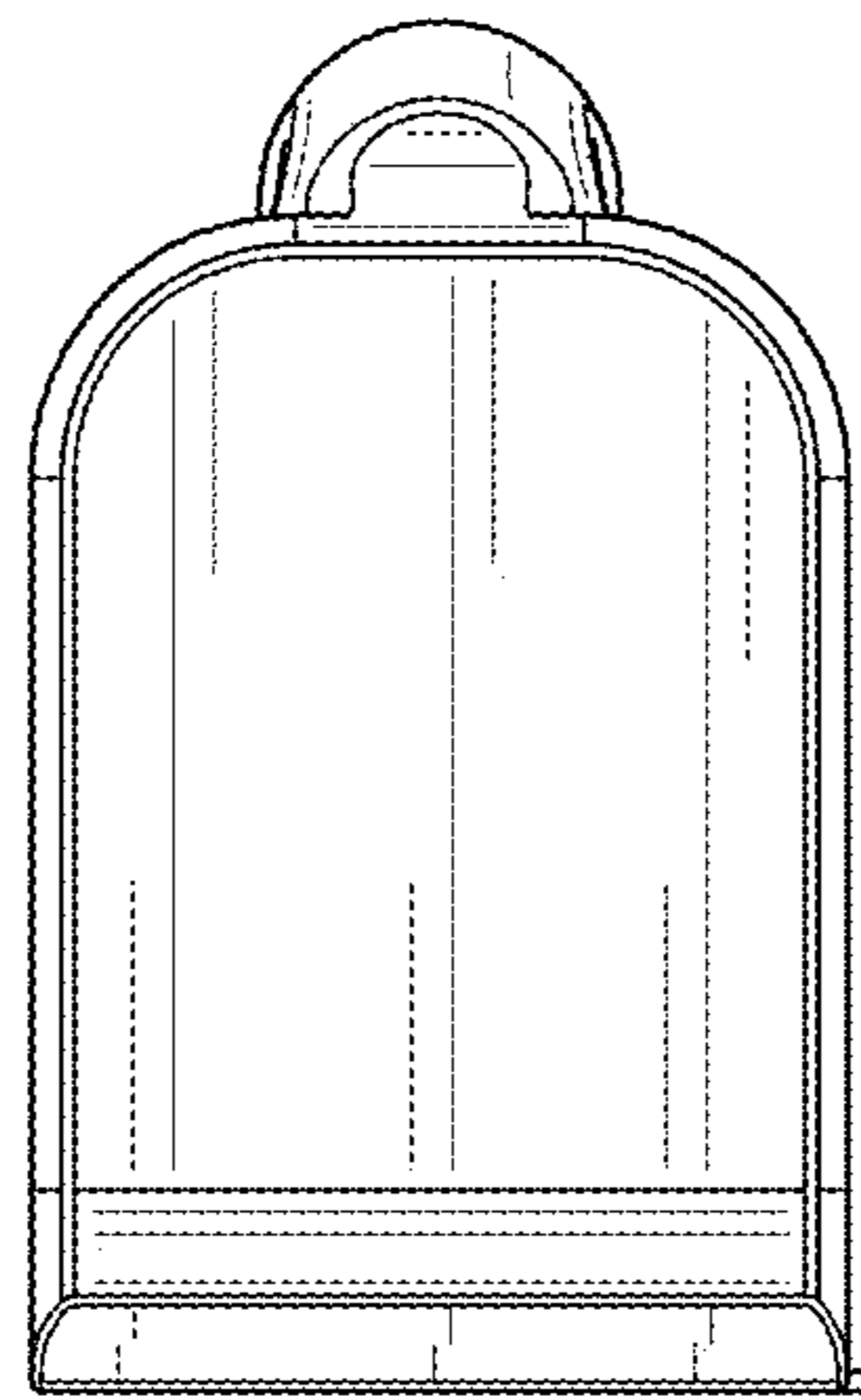


FIG. 34

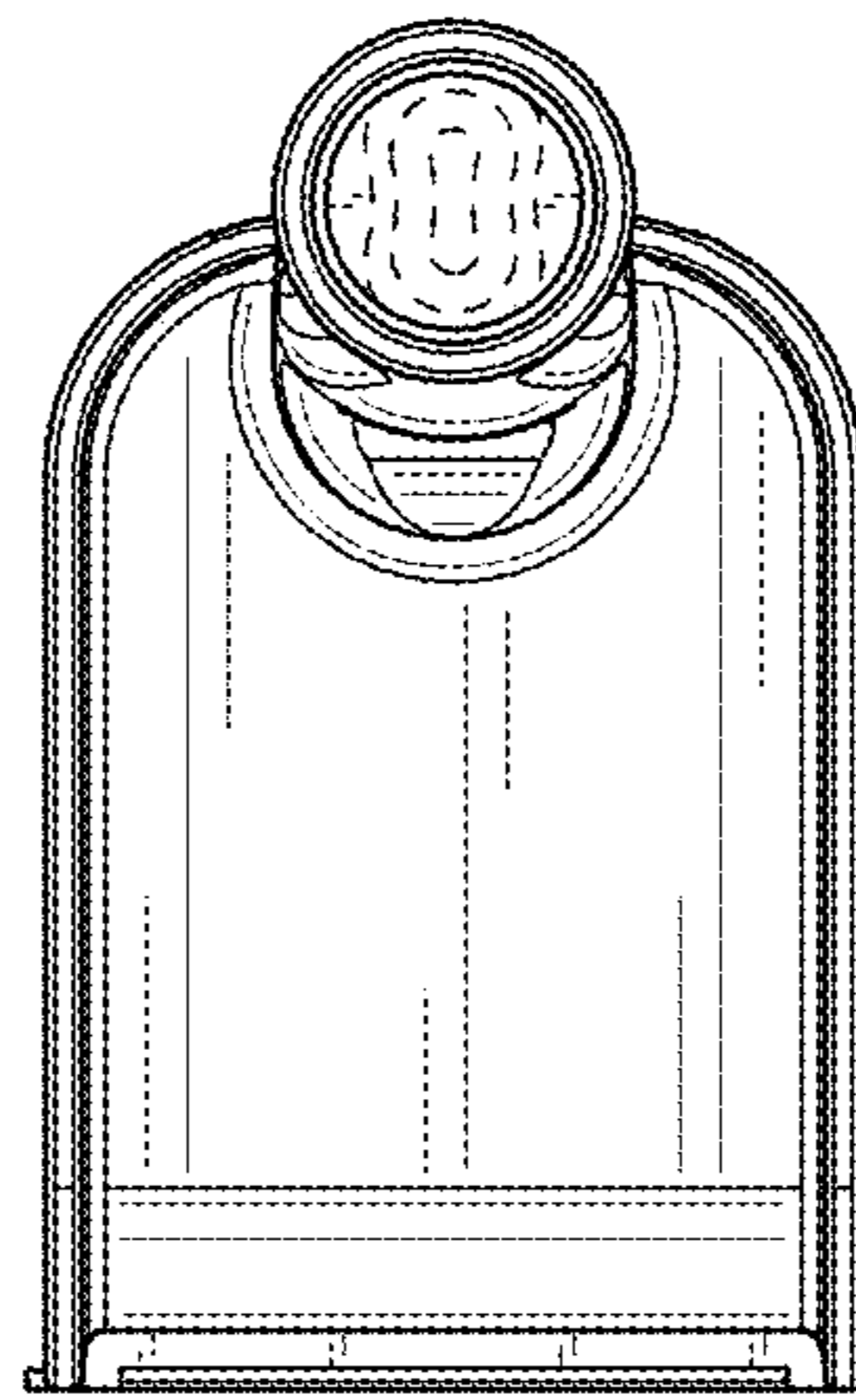


FIG. 35

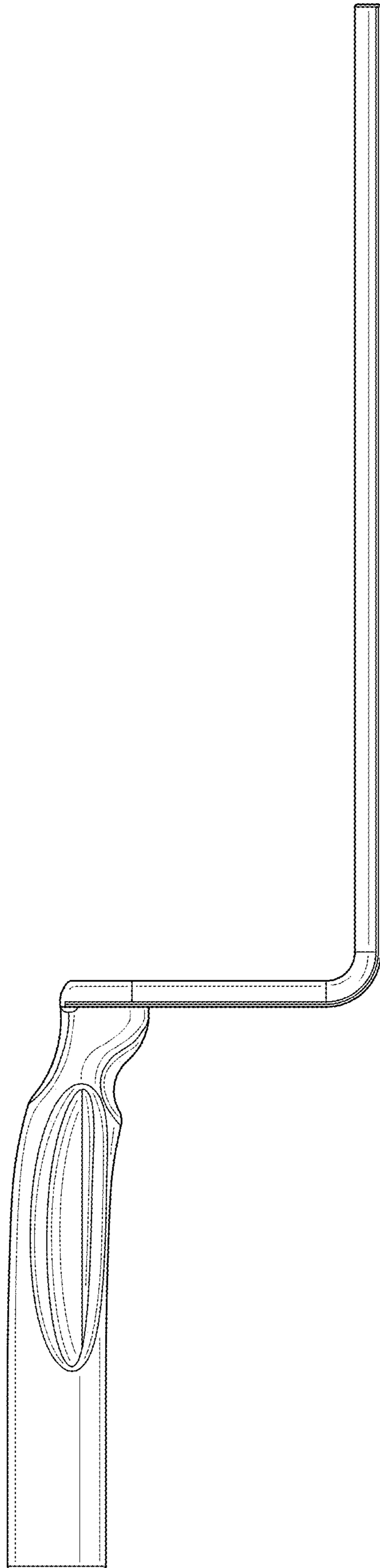


FIG. 36

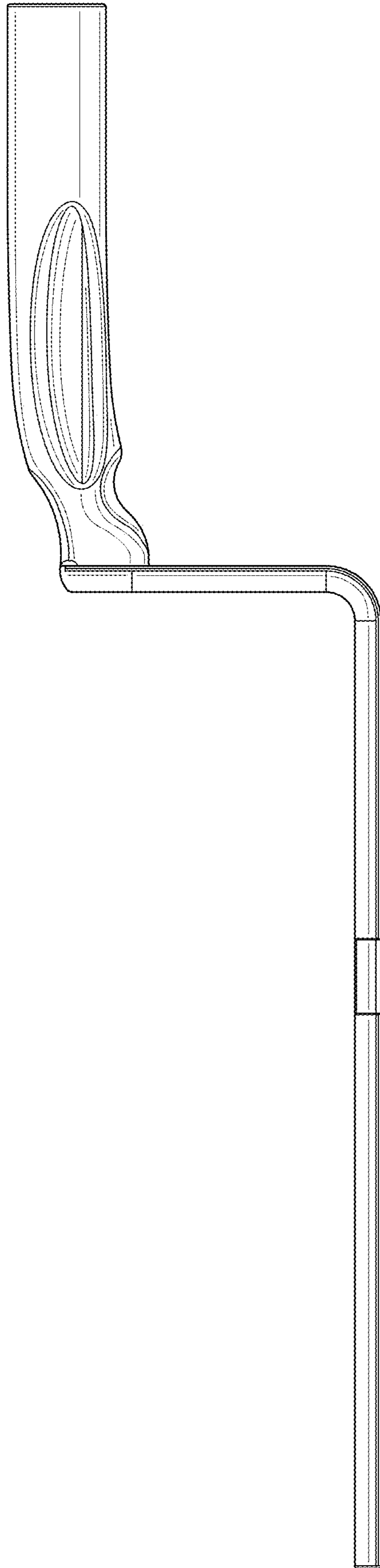


FIG. 37

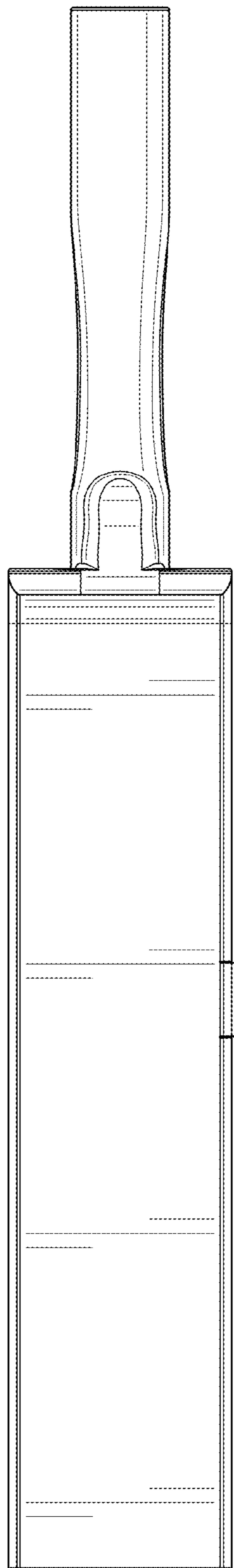


FIG. 38

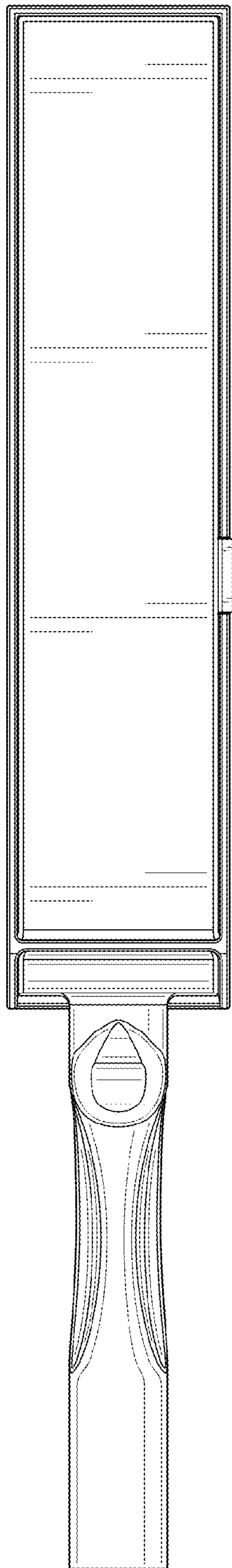


FIG. 39

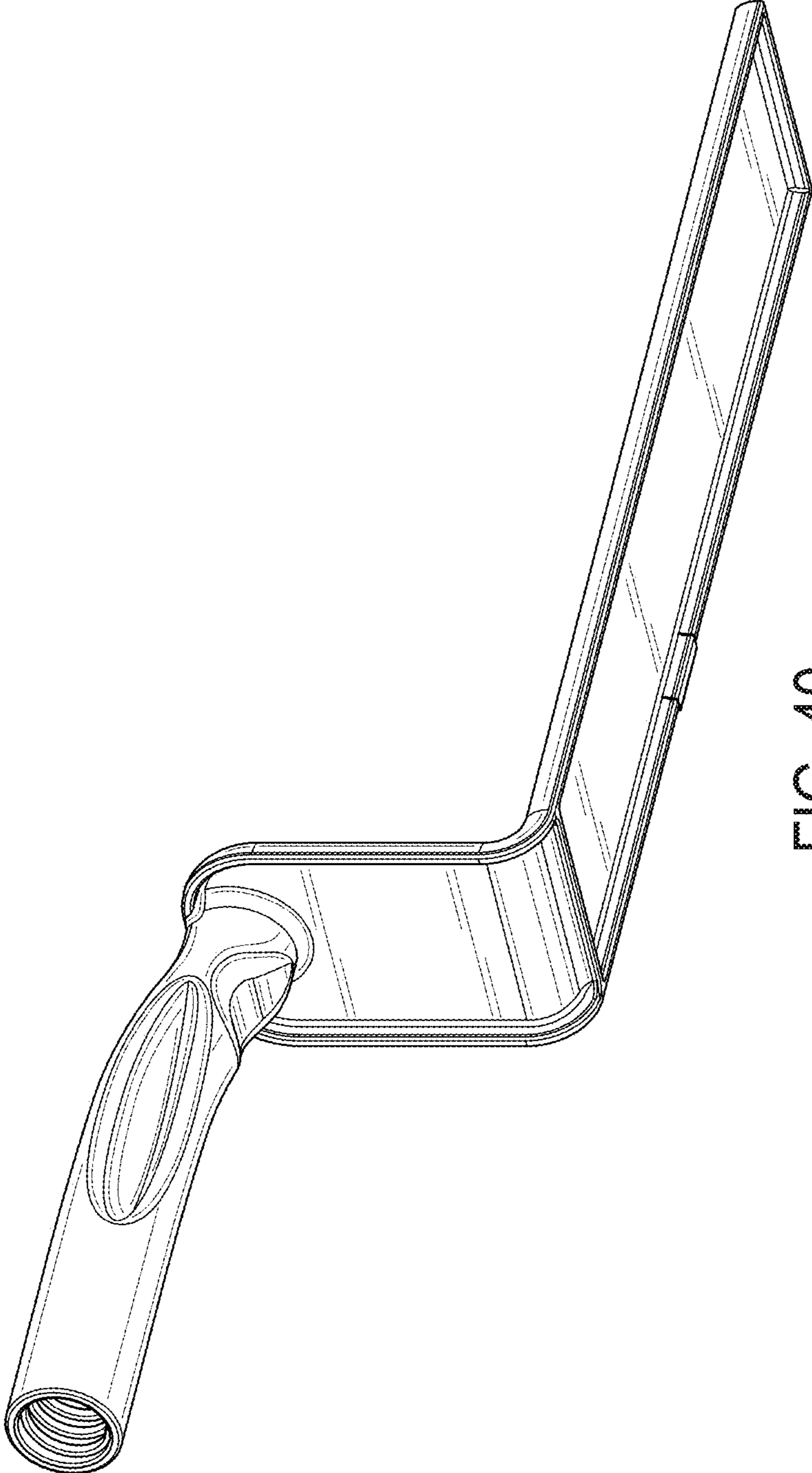


FIG. 40

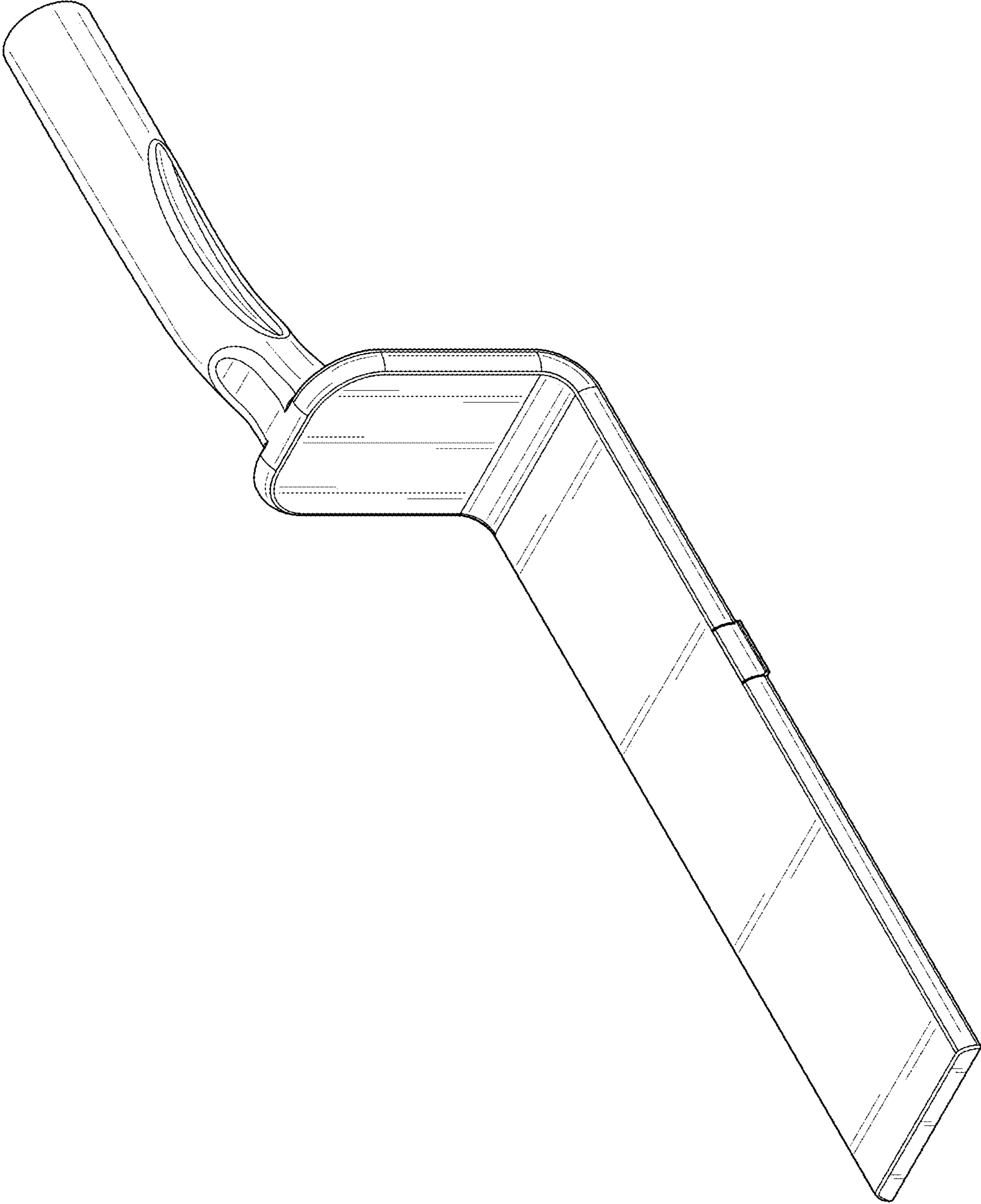


FIG. 41

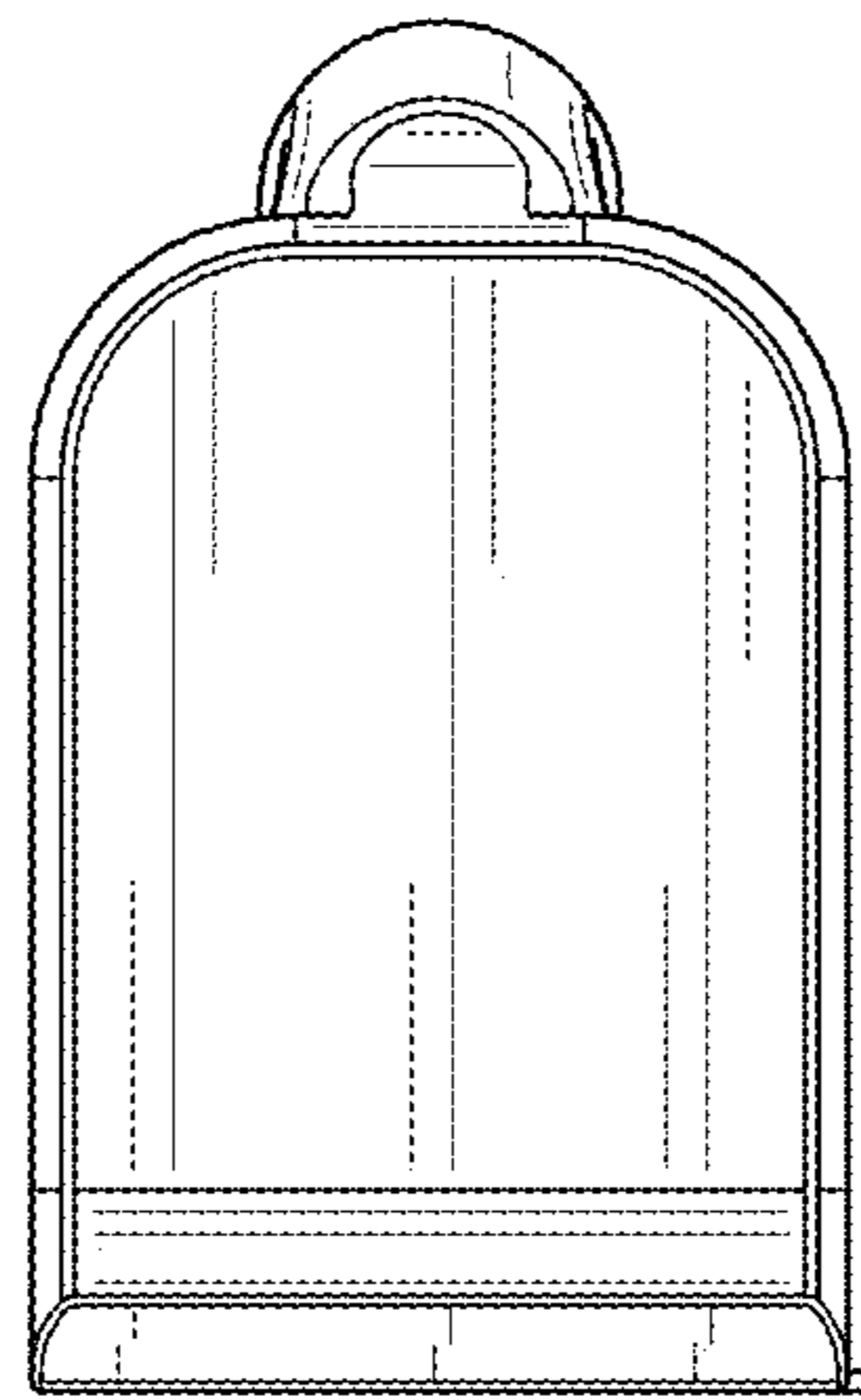


FIG. 42

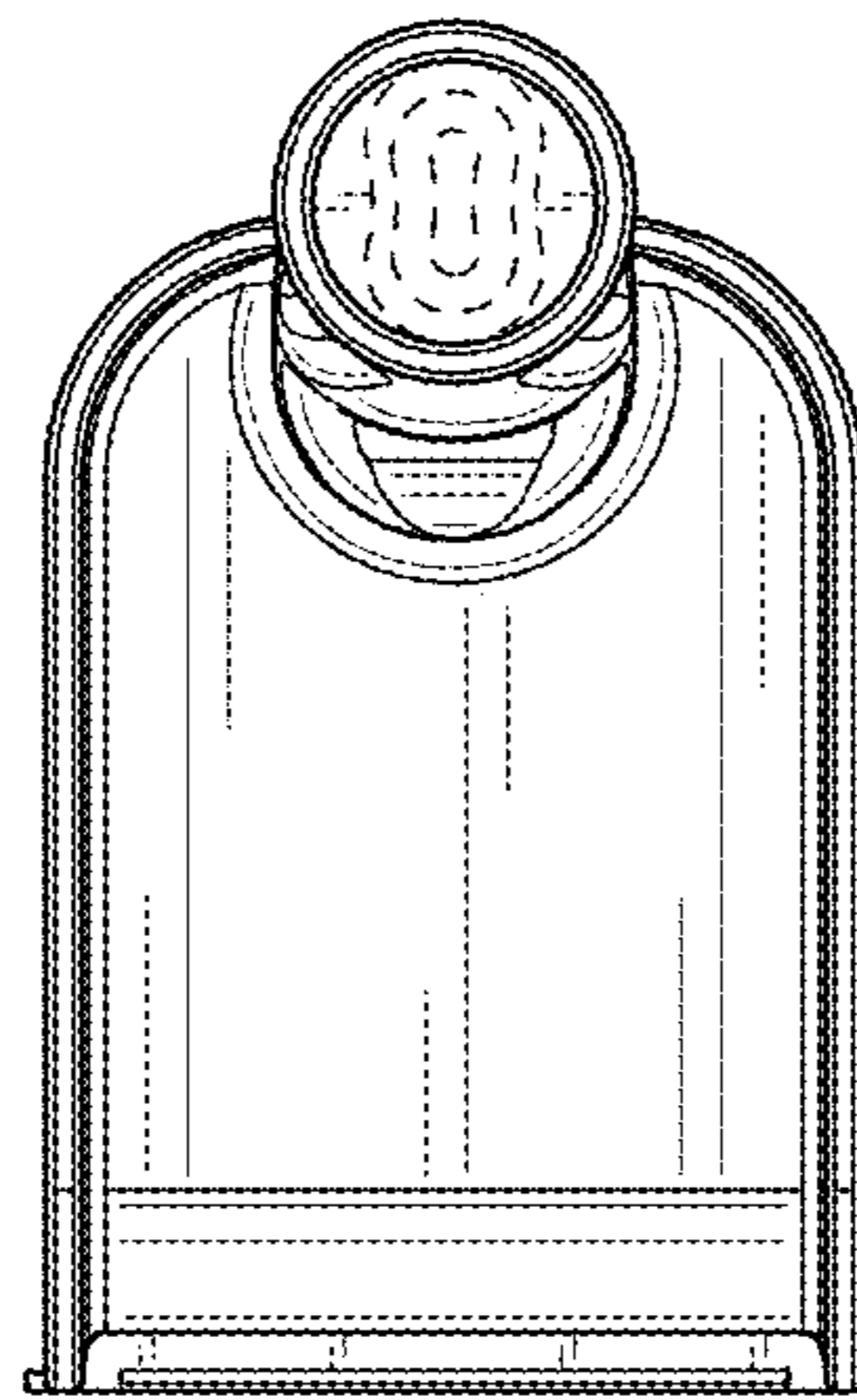


FIG. 43

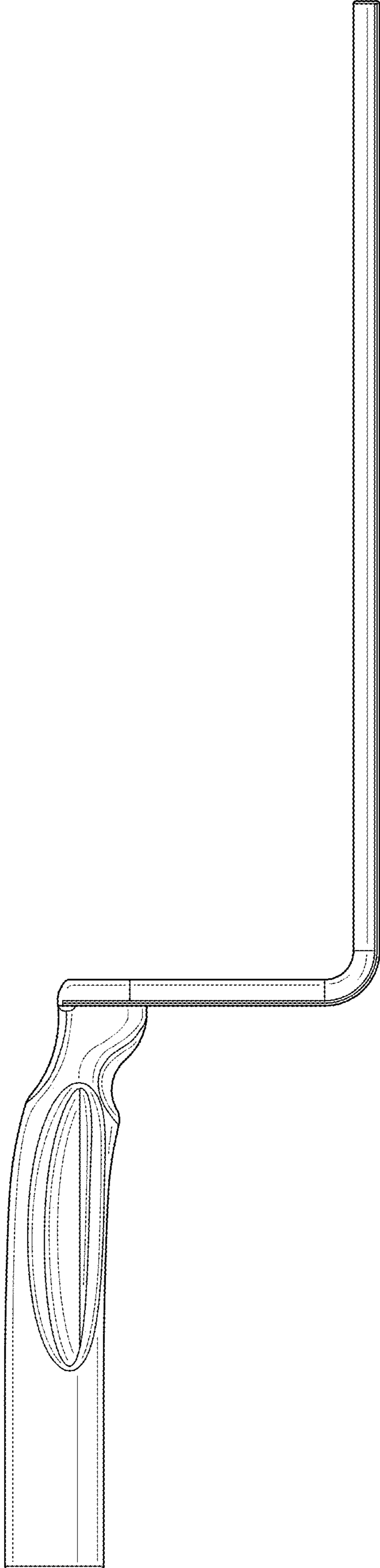


FIG. 44

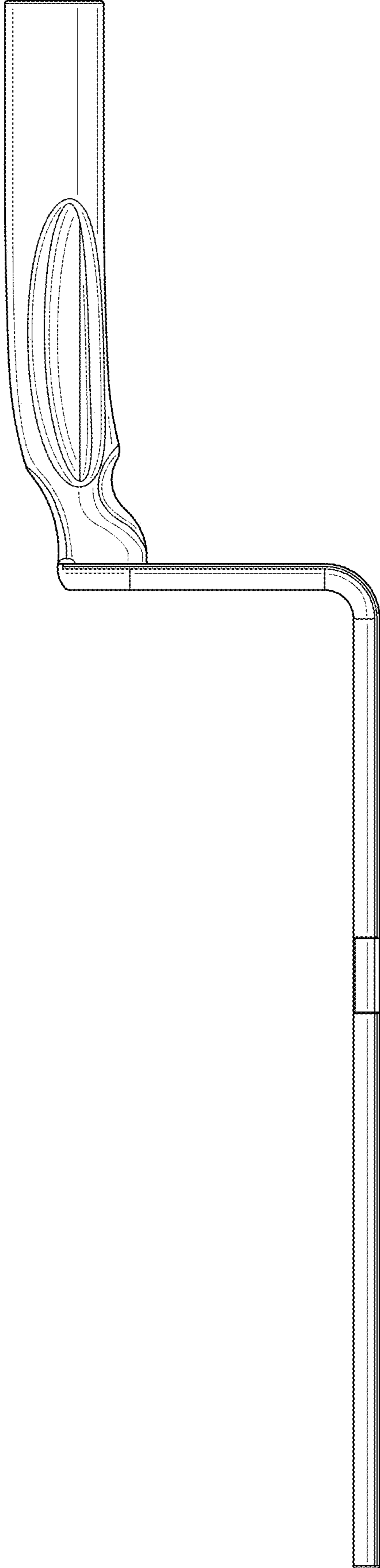


FIG. 45

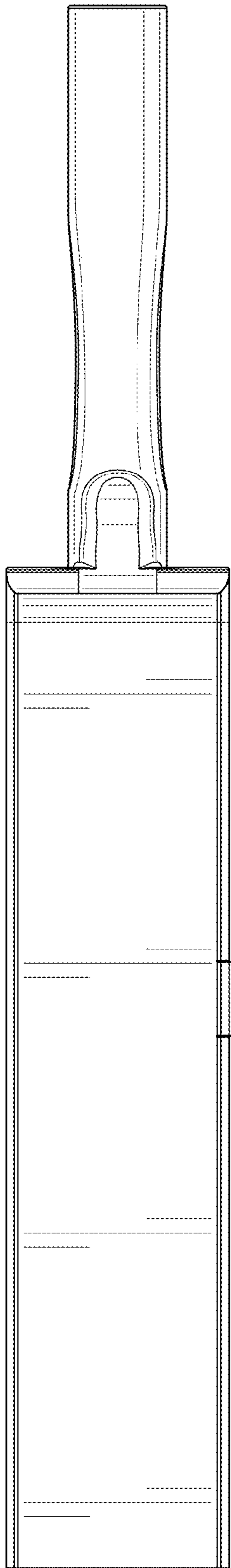


FIG. 46

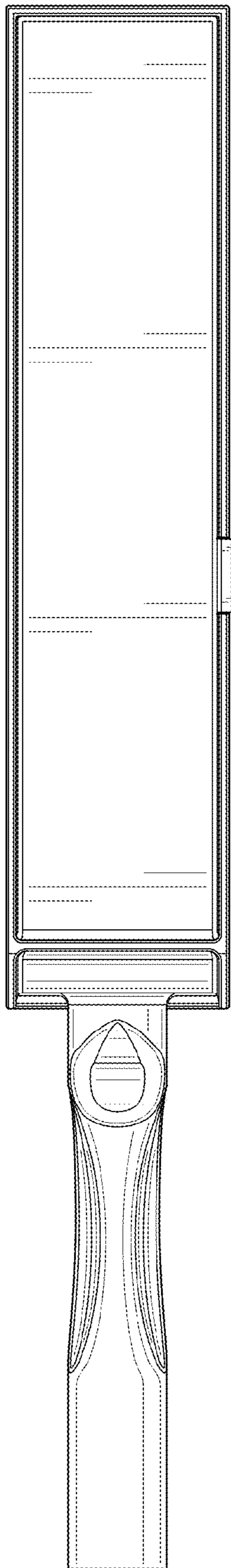


FIG. 47

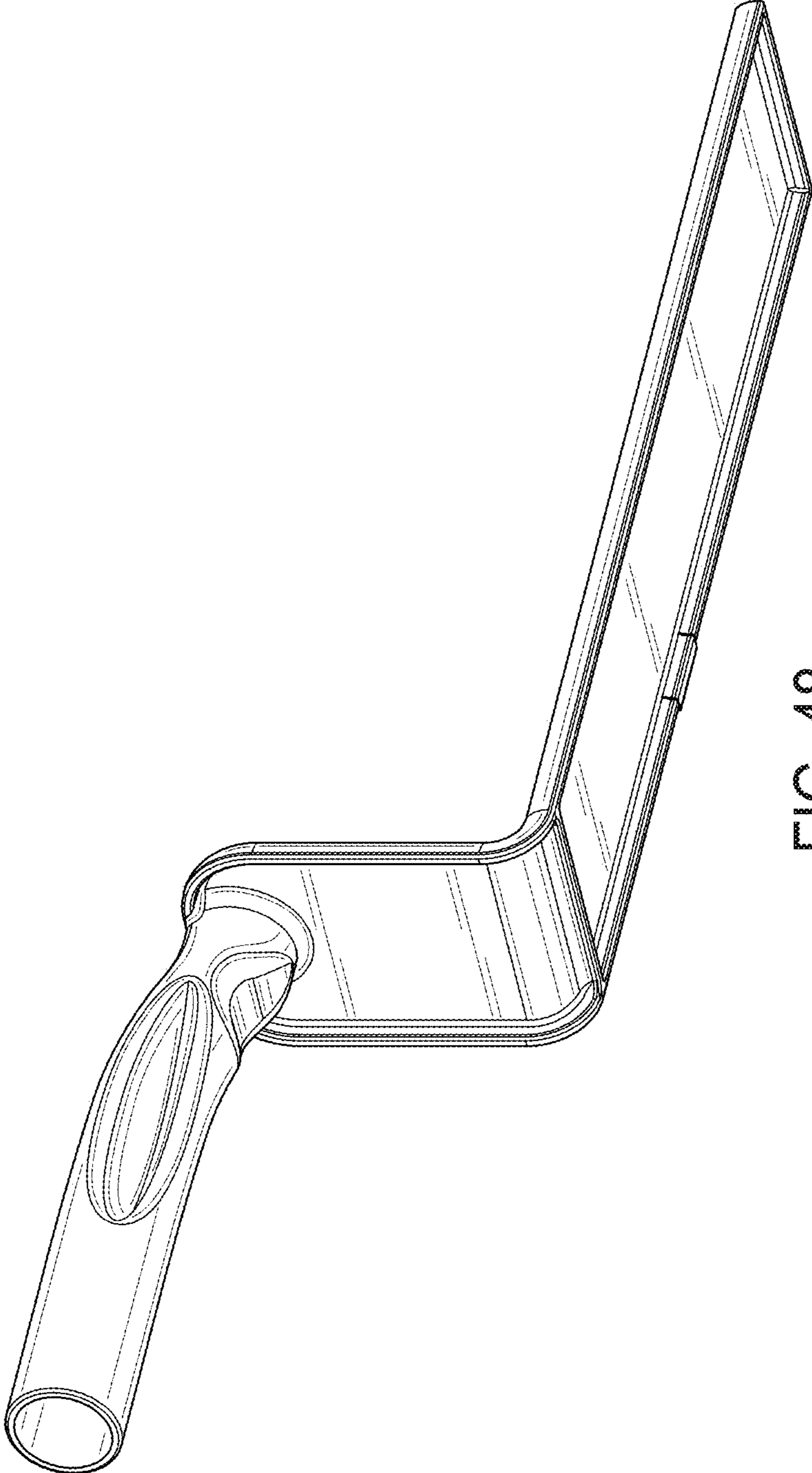


FIG. 48