



US00D968099S

(12) **United States Design Patent** (10) **Patent No.:** **US D968,099 S**
Russo (45) **Date of Patent:** **** Nov. 1, 2022**

(54) **BRUSH**
(71) Applicant: **J & D Brush Co., LLC**, Commack, NY (US)
(72) Inventor: **Melissa Russo**, Commack, NY (US)
(73) Assignee: **J & D Brush Co., LLC**, Commack, NY (US)

(**) Term: **15 Years**
(21) Appl. No.: **29/757,130**

(22) Filed: **Nov. 3, 2020**
(51) **LOC (13) Cl.** **04-02**
(52) **U.S. Cl.**
USPC **D4/134**
(58) **Field of Classification Search**
None
See application file for complete search history.

(56) **References Cited**

U.S. PATENT DOCUMENTS

D60,615 S *	3/1922	Halinka et al.	132/120
D105,165 S *	6/1937	Dean	D4/117
2,963,729 A *	12/1960	Thonbo	A46B 7/04 15/176.1
D206,791 S *	1/1967	Martin	D4/137
4,118,823 A *	10/1978	Axelrod	A46B 3/20 15/186
D354,169 S *	1/1995	Roberts	D4/137
7,861,360 B2 *	1/2011	Malka	A46B 17/06 132/121
8,127,773 B2 *	3/2012	DiPippo	A46B 17/06 15/169
D708,857 S *	7/2014	Brown	D4/133
9,402,460 B2 *	8/2016	Hickey	A46B 9/023
D781,596 S *	3/2017	Chang	D4/134
10,028,574 B2 *	7/2018	Rennette	A45D 20/52
D830,704 S *	10/2018	Treeby	D4/134
D839,607 S *	2/2019	Kuo	D4/134

D848,063 S *	5/2019	Tappenden	D28/18
D848,066 S *	5/2019	Coulton	D28/18
D859,003 S *	9/2019	Robbins	D4/138
D864,586 S *	10/2019	Robbins	D4/134
D917,175 S *	4/2021	Rimoshytus	D4/137
D929,746 S *	9/2021	Russo	D4/133
D930,993 S *	9/2021	Russo	D4/133
D930,995 S *	9/2021	Russo	D4/138
D940,468 S *	1/2022	Sommer	D4/134
D941,586 S *	1/2022	Russo	D4/120

FOREIGN PATENT DOCUMENTS

KR	953292 Y *	4/1995
WO	WO-D214195-002 *	9/2021

* cited by examiner

Primary Examiner — Karen E Eldridge Powers
(74) *Attorney, Agent, or Firm* — Gloria Tsui-Yip; Gottlieb, Rackman & Reisman, P.C.

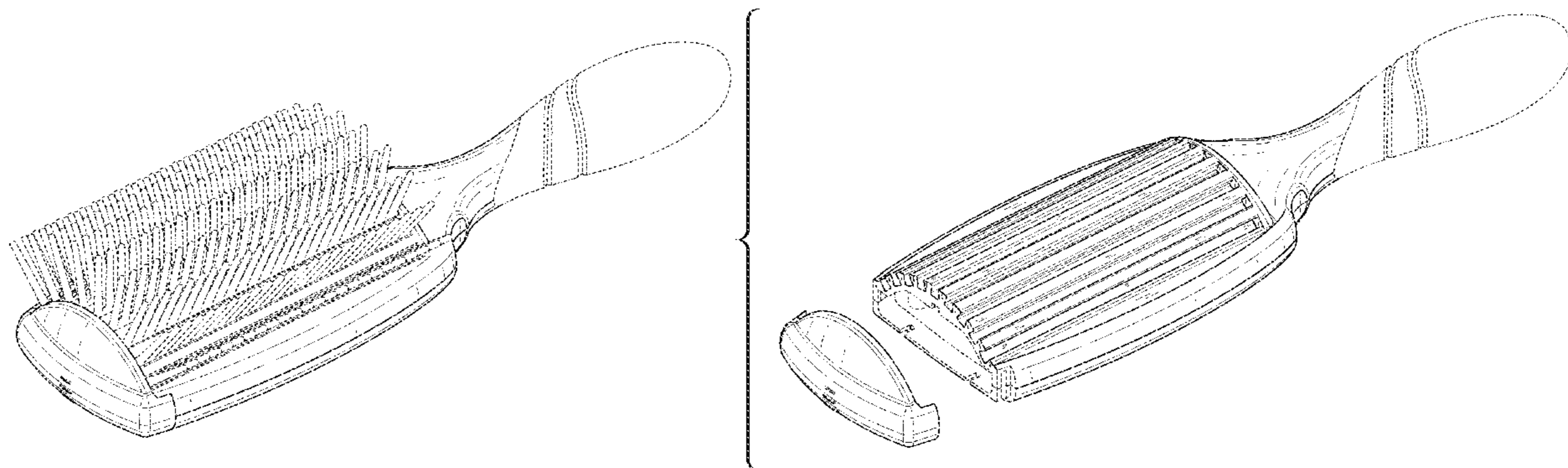
(57) **CLAIM**

The ornamental design for a brush, as shown and described.

DESCRIPTION

FIG. 1 is a top, front and left side perspective view of the brush of my new design;
FIG. 2 is a left side elevational view thereof;
FIG. 3 is a top plan view thereof;
FIG. 4 is a right side elevational view thereof;
FIG. 5 is a bottom plan view thereof;
FIG. 6 is a front elevational view thereof;
FIG. 7 is a rear elevational view thereof;
FIG. 8 is a bottom, rear and right side perspective view thereof; and,
FIG. 9 is an exploded view of the brush illustrated in FIG. 1.
The broken lines in the drawings depict portions of the brush that form no part of the claimed design.

1 Claim, 6 Drawing Sheets



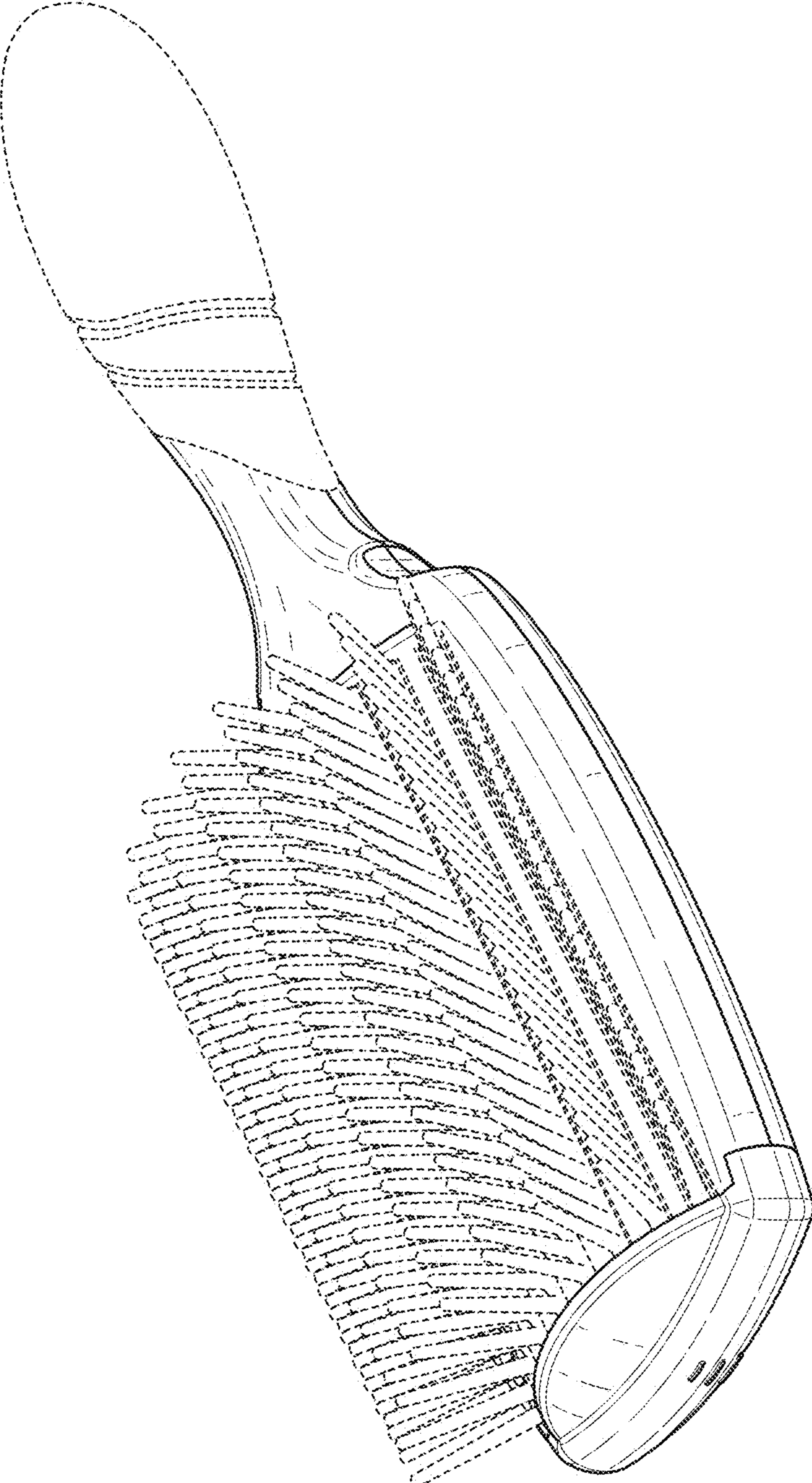


FIG.1

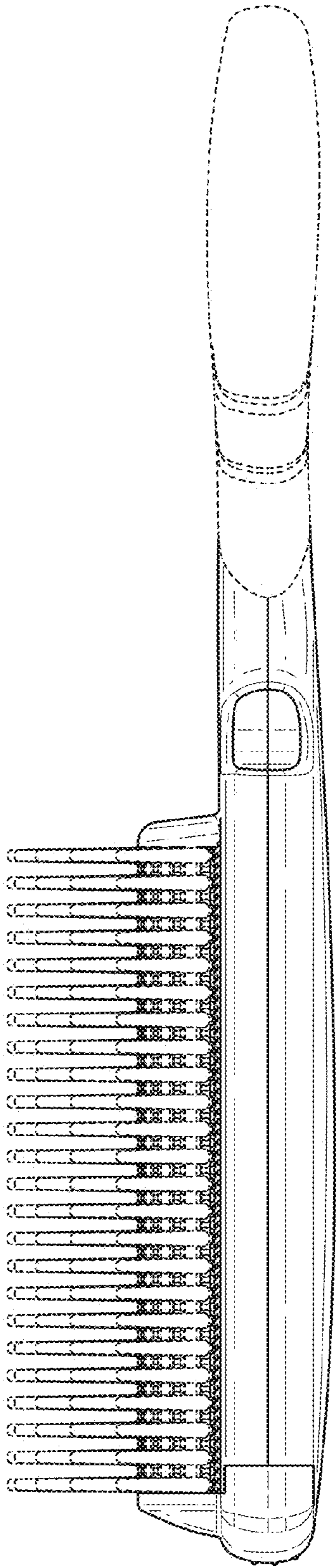


FIG. 2

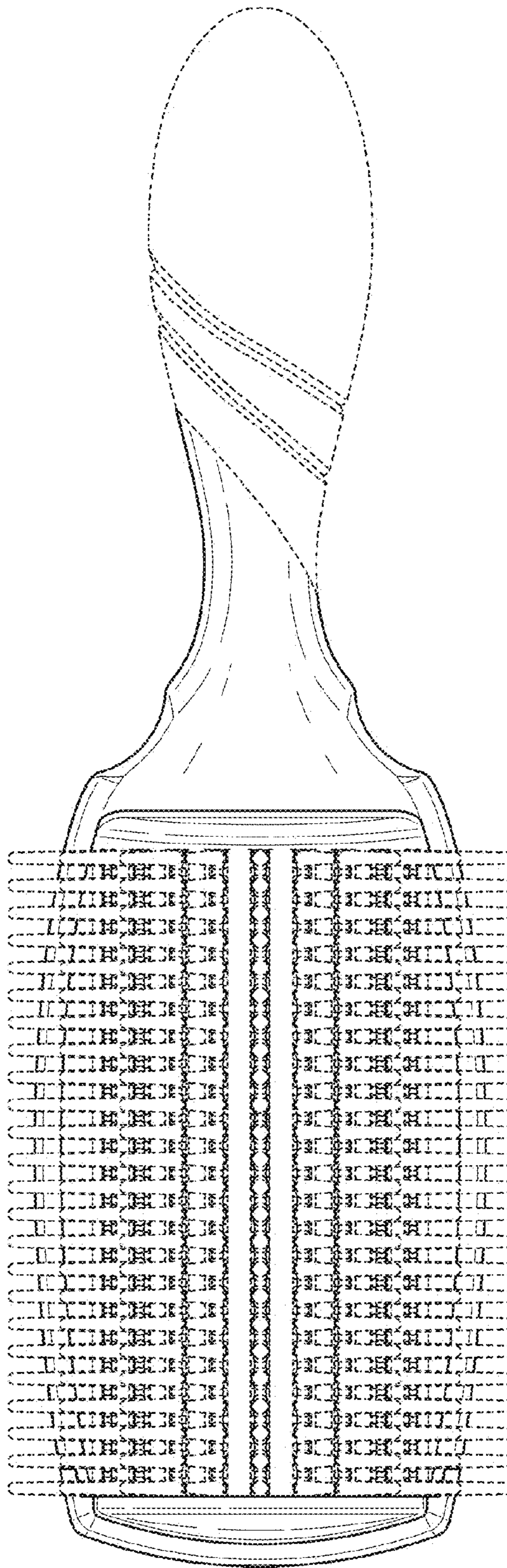


FIG. 3

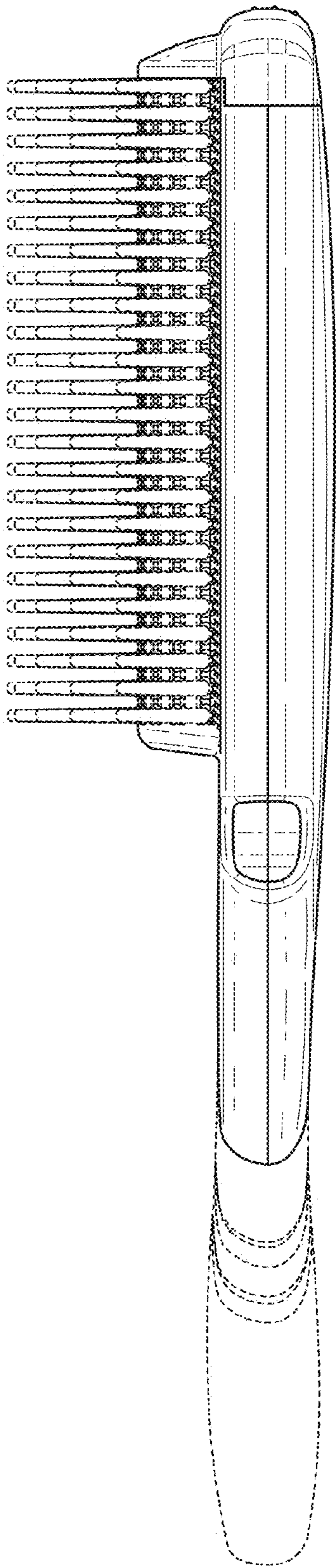


FIG. 4

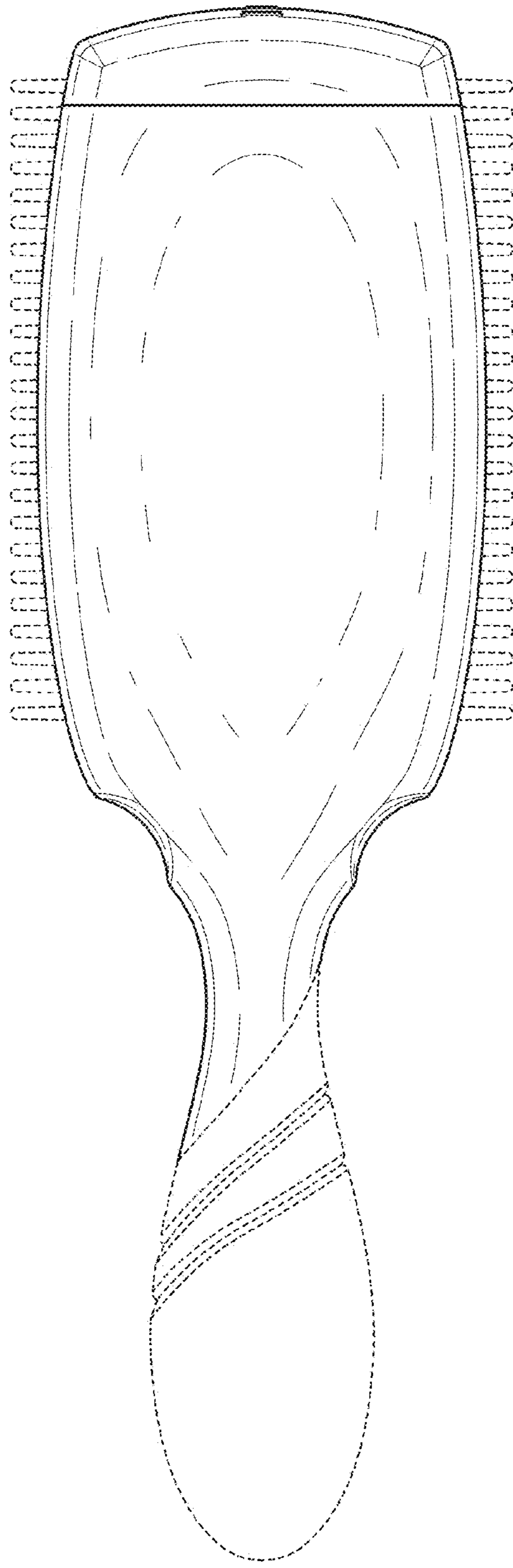


FIG. 5

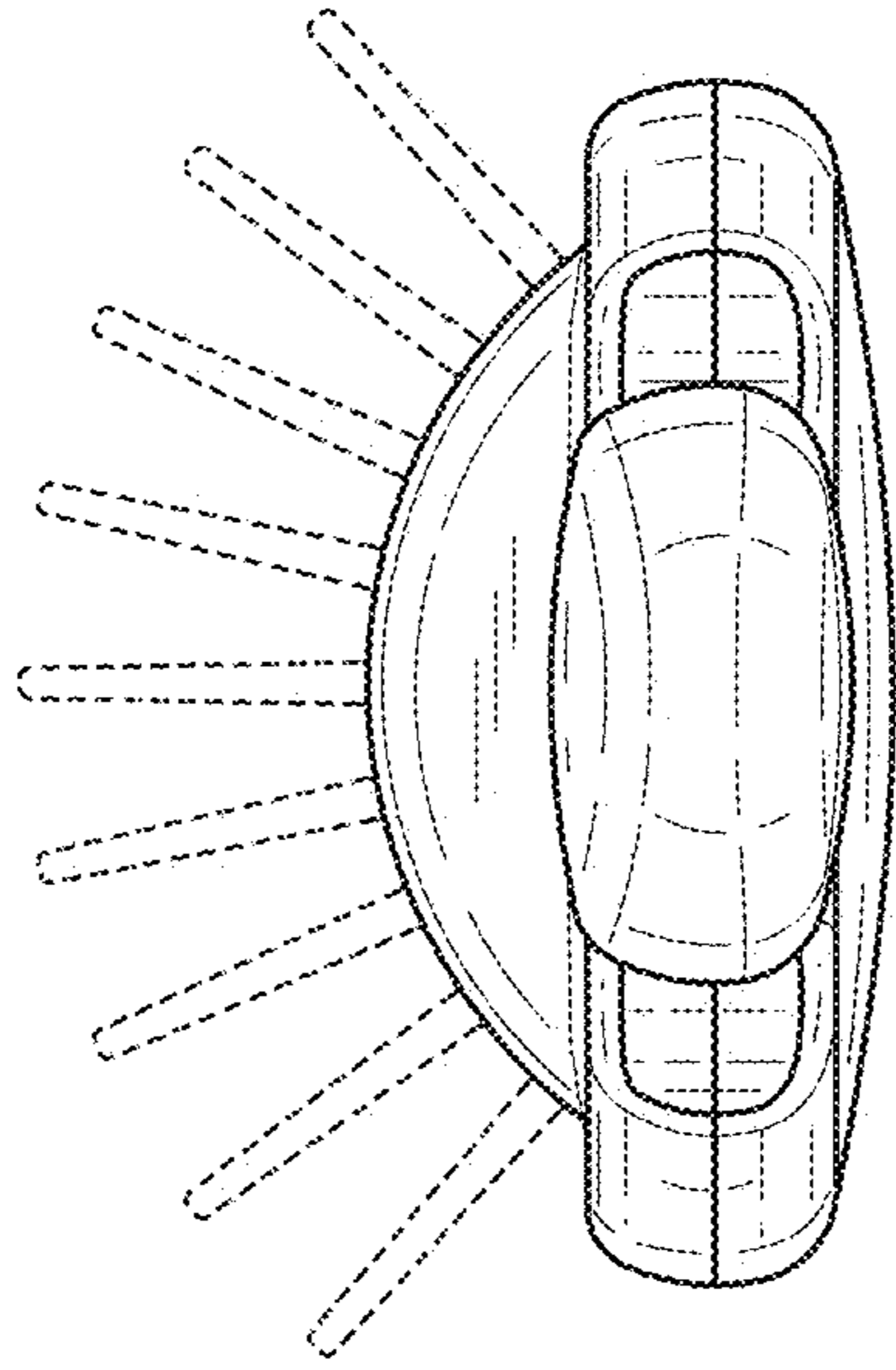


FIG.7

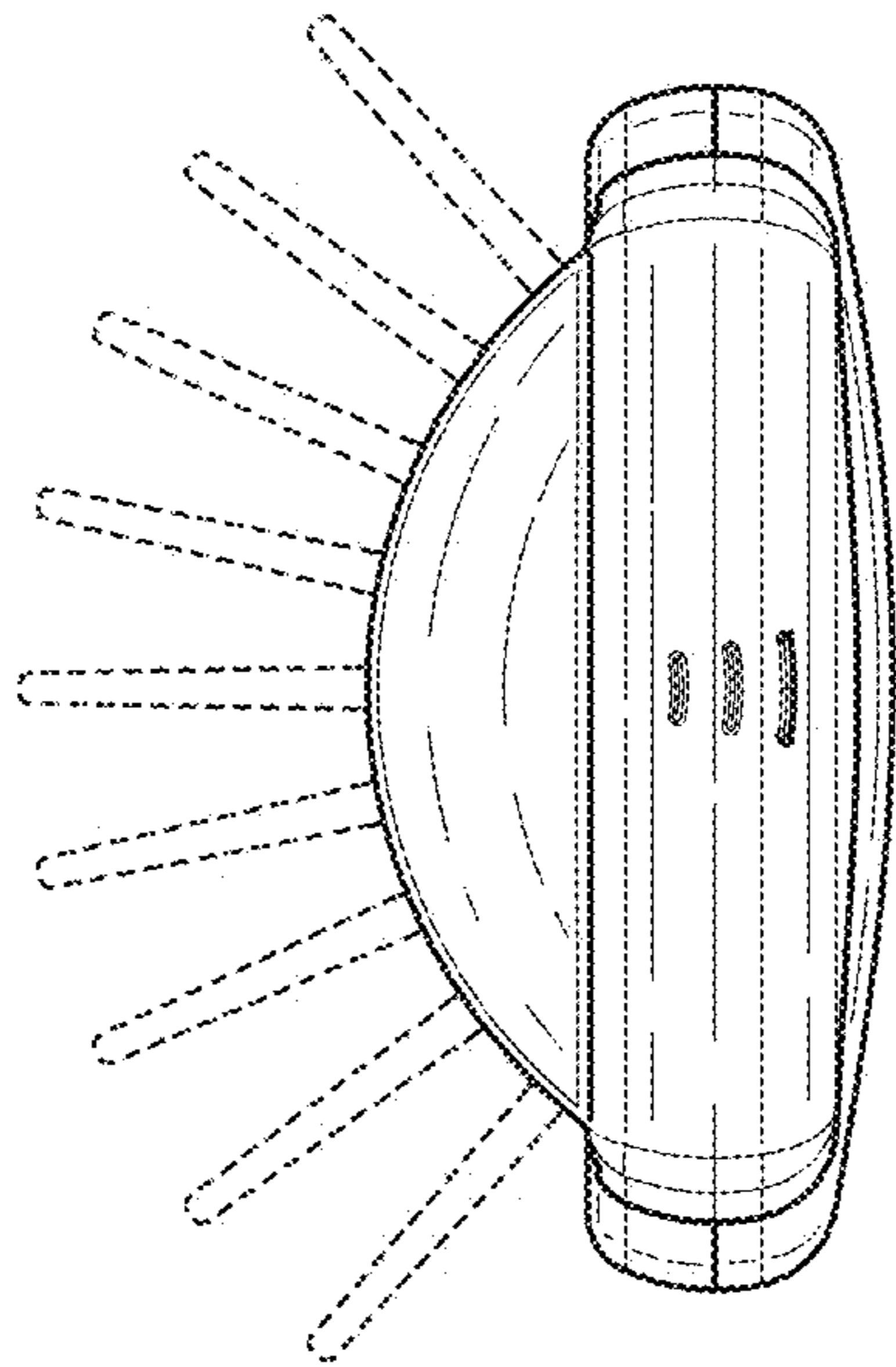


FIG.6

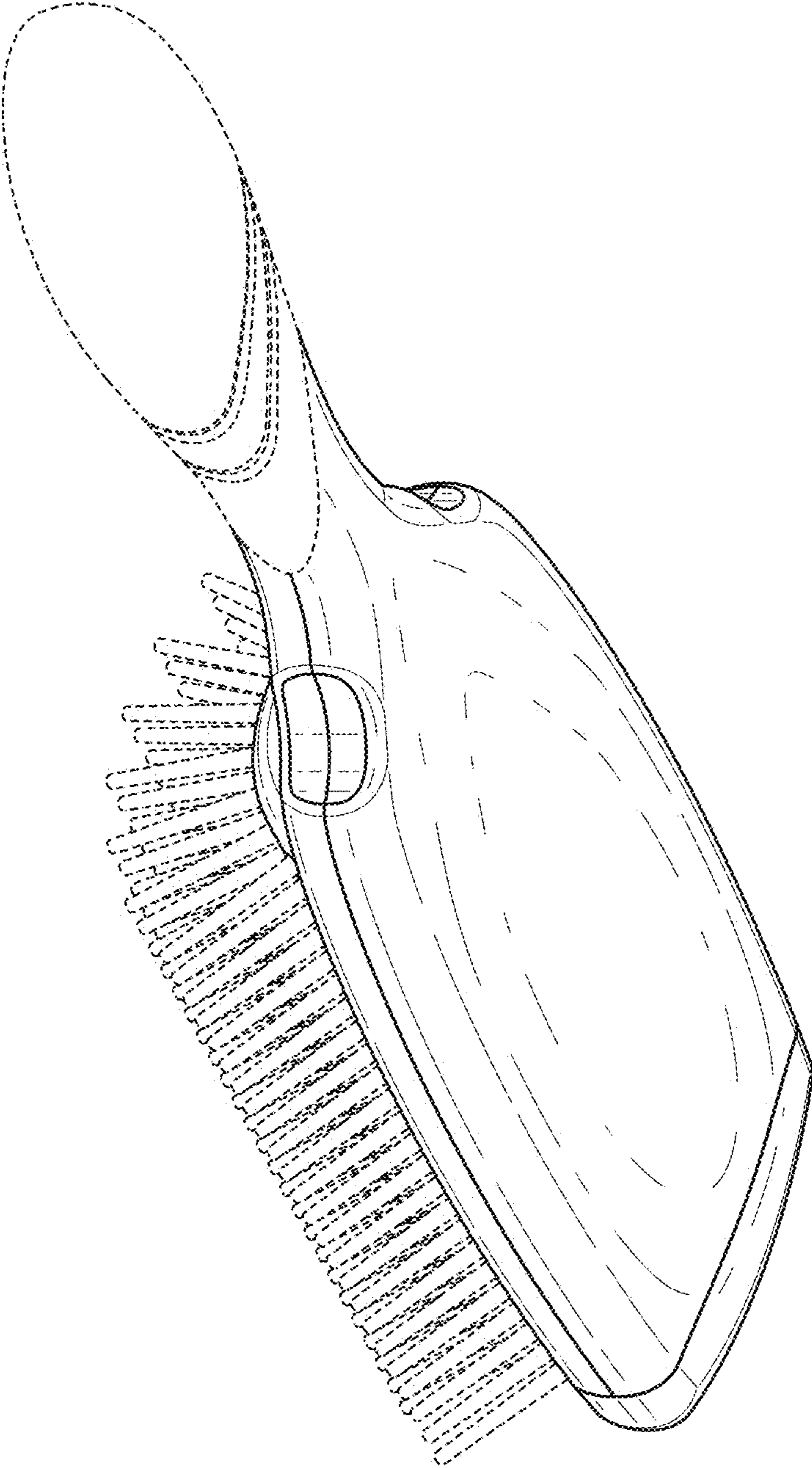


FIG.8

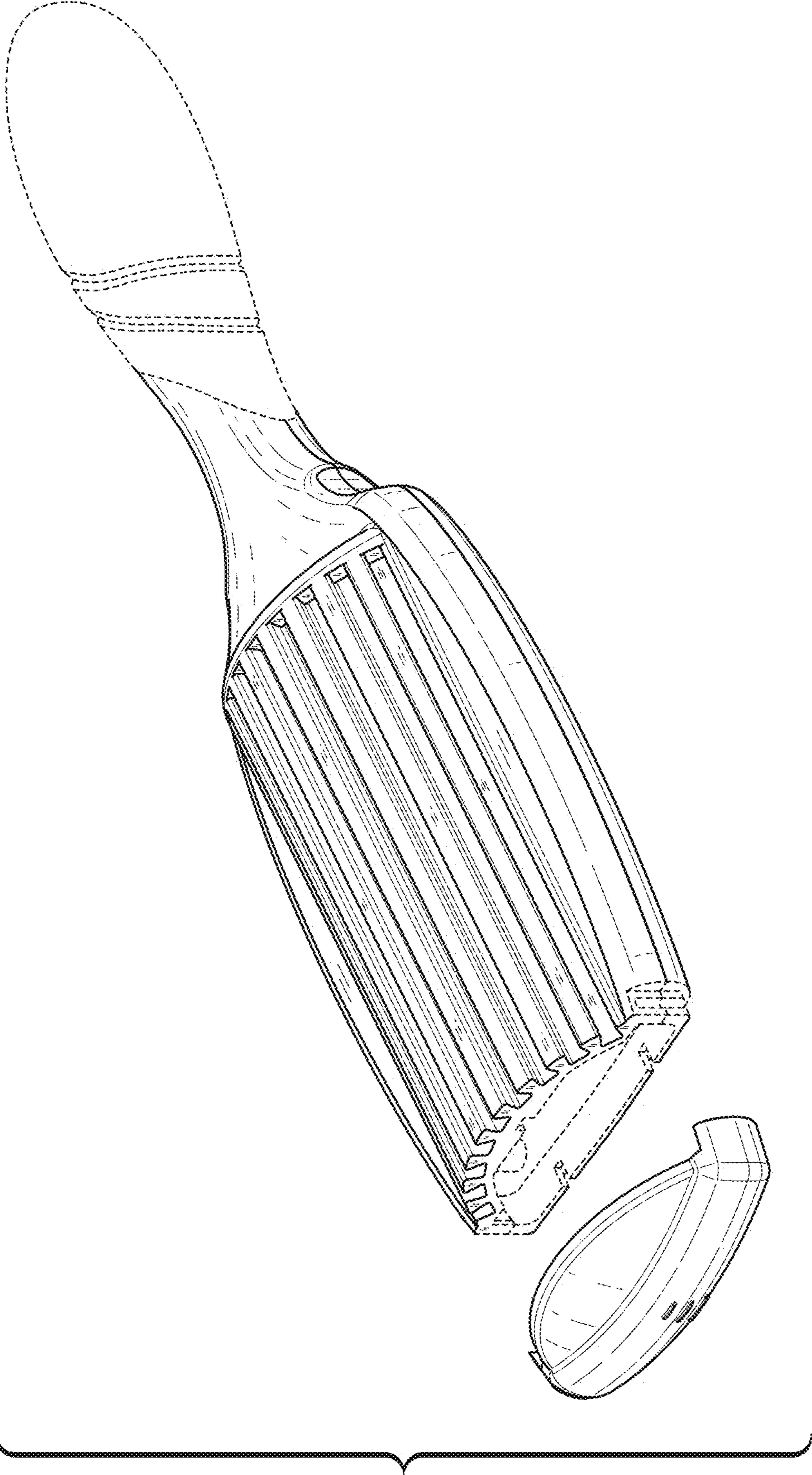


FIG.9