



US00D968095S

(12) **United States Design Patent** (10) **Patent No.:** **US D968,095 S**
Workman (45) **Date of Patent:** **** Nov. 1, 2022**

(54) **RETAINER LID**
(71) Applicant: **Jeanne Workman**, Provo, UT (US)
(72) Inventor: **Jeanne Workman**, Provo, UT (US)
(**) Term: **15 Years**
(21) Appl. No.: **29/752,611**
(22) Filed: **Sep. 28, 2020**
(51) **LOC (13) Cl.** **03-01**
(52) **U.S. Cl.**
USPC **D3/318**
(58) **Field of Classification Search**
USPC D3/201, 273, 318, 319, 323; D7/505,
D7/507, 509, 511, 601, 602, 387, 391,
D7/392, 396.1, 396.2, 396; D9/723, 724,
D9/434, 435, 436, 439, 440, 442, 447,
D9/452, 454, 455, 456; D23/206, 238,
D23/249, 259, 260; D34/7, 10
CPC B65D 51/28; B65D 41/56; B65D 43/01;
B65D 43/0212; B65D 47/08; B65D
21/0213; B65D 1/26; B65D 1/34; B65D
1/36; B65D 21/083; B65D 25/06; B65D
25/2891; B65D 55/16; A47G 19/2211;
A47G 19/22; A47G 19/06; A47G
19/2222; A45F 3/16; B67C 11/02
See application file for complete search history.

D407,591 S * 4/1999 Bologna D6/627
D451,660 S * 12/2001 Segerstrom D6/407
D497,776 S * 11/2004 Berger D7/707
D592,402 S * 5/2009 Ahlgrim D3/318
D654,693 S * 2/2012 Freeman D3/318
D821,807 S * 7/2018 Yap D7/391
D833,149 S * 11/2018 Sofy D3/323
10,478,963 B1 * 11/2019 Workman A45C 13/023
D899,253 S * 10/2020 Natsume D9/456
11,247,830 B2 * 2/2022 Uchida B65D 85/48
D952,464 S * 5/2022 Collins D9/454
2008/0160143 A1 * 7/2008 Edwards B65D 43/0218
426/106
2020/0277122 A1 * 9/2020 Uchida B65D 85/48
2021/0147113 A1 * 5/2021 Workman B65D 55/16

OTHER PUBLICATIONS

Kootoo Customizable Organizer: Announced [Sep. 4, 2020 (online)].
Site Visited [Jun. 14, 2022]. Available from Internet URL: <https://www.amazon.com/CUSTOMIZABLE-ORGANIZER-CONTAINER-DIVIDERS-arranged/dp/B08KJ3R1YH?th=1>.*

* cited by examiner

Primary Examiner — Catherine S Posthauer
(74) *Attorney, Agent, or Firm* — David R. Conklin;
Kirton McConkie

(57) **CLAIM**

The ornamental design for a retainer lid, as shown and described.

(56) **References Cited**

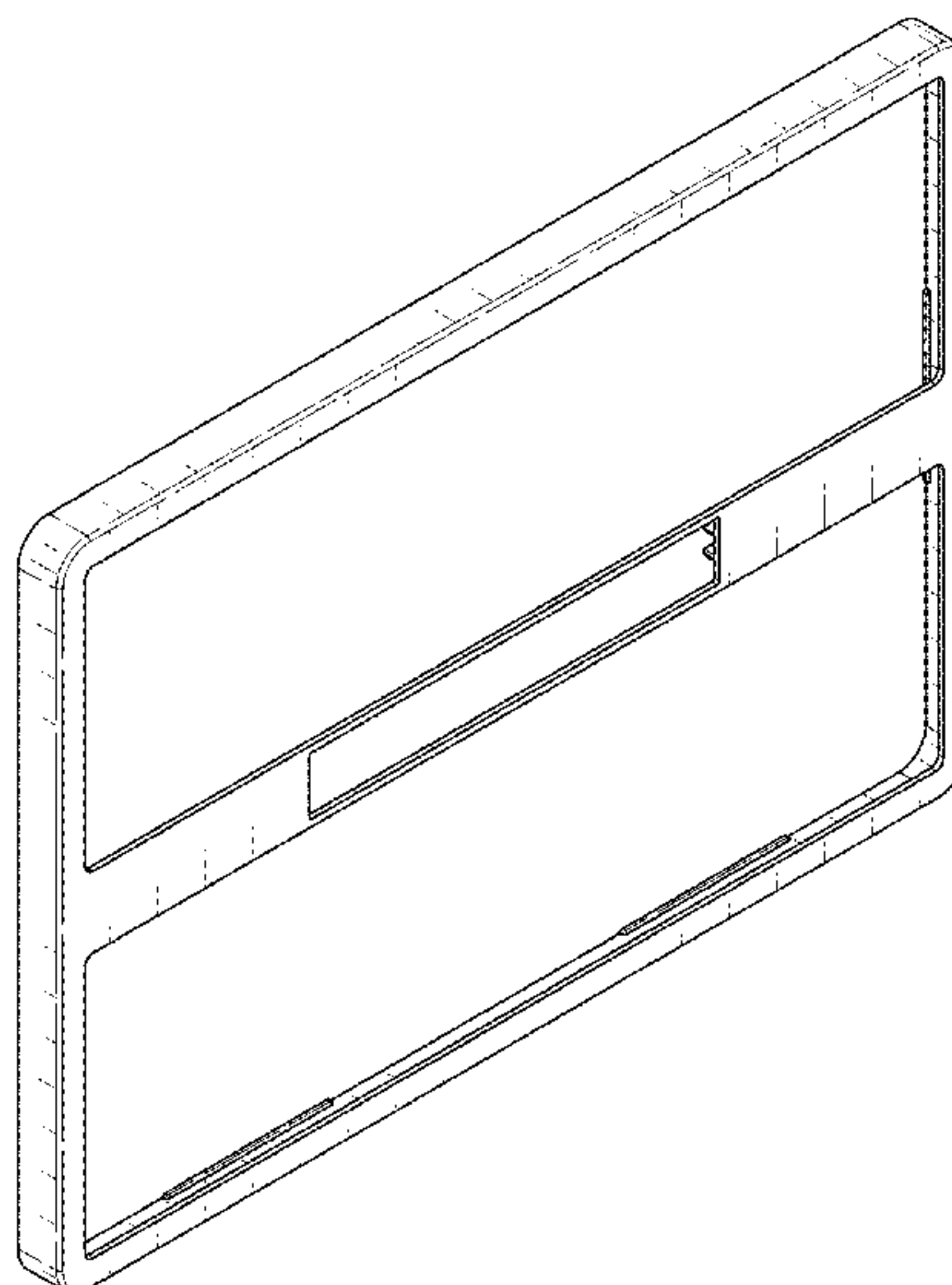
U.S. PATENT DOCUMENTS

D26,685 S * 2/1897 Smith D9/456
D65,395 S * 8/1924 Connor D9/434
D201,398 S * 6/1965 Burns et al. D9/425
D311,688 S * 10/1990 Hodge D9/435
D312,214 S * 11/1990 Hodge D3/323
D319,977 S * 9/1991 Curry D3/312
D321,456 S * 11/1991 Wolff D7/391
D358,768 S * 5/1995 Berggren D9/435
D365,986 S * 1/1996 Holsken D9/435
D377,865 S * 2/1997 Kristoffersson D3/323

DESCRIPTION

FIG. 1 is a top, left and back perspective view of a retainer lid.
FIG. 2 is a top plan view thereof.
FIG. 3 is a bottom plan view thereof.
FIG. 4 is a front elevation view, the back-elevation view being a mirror image thereof; and,
FIG. 5 is a left elevation view, the right elevation view being a mirror image thereof.

1 Claim, 3 Drawing Sheets



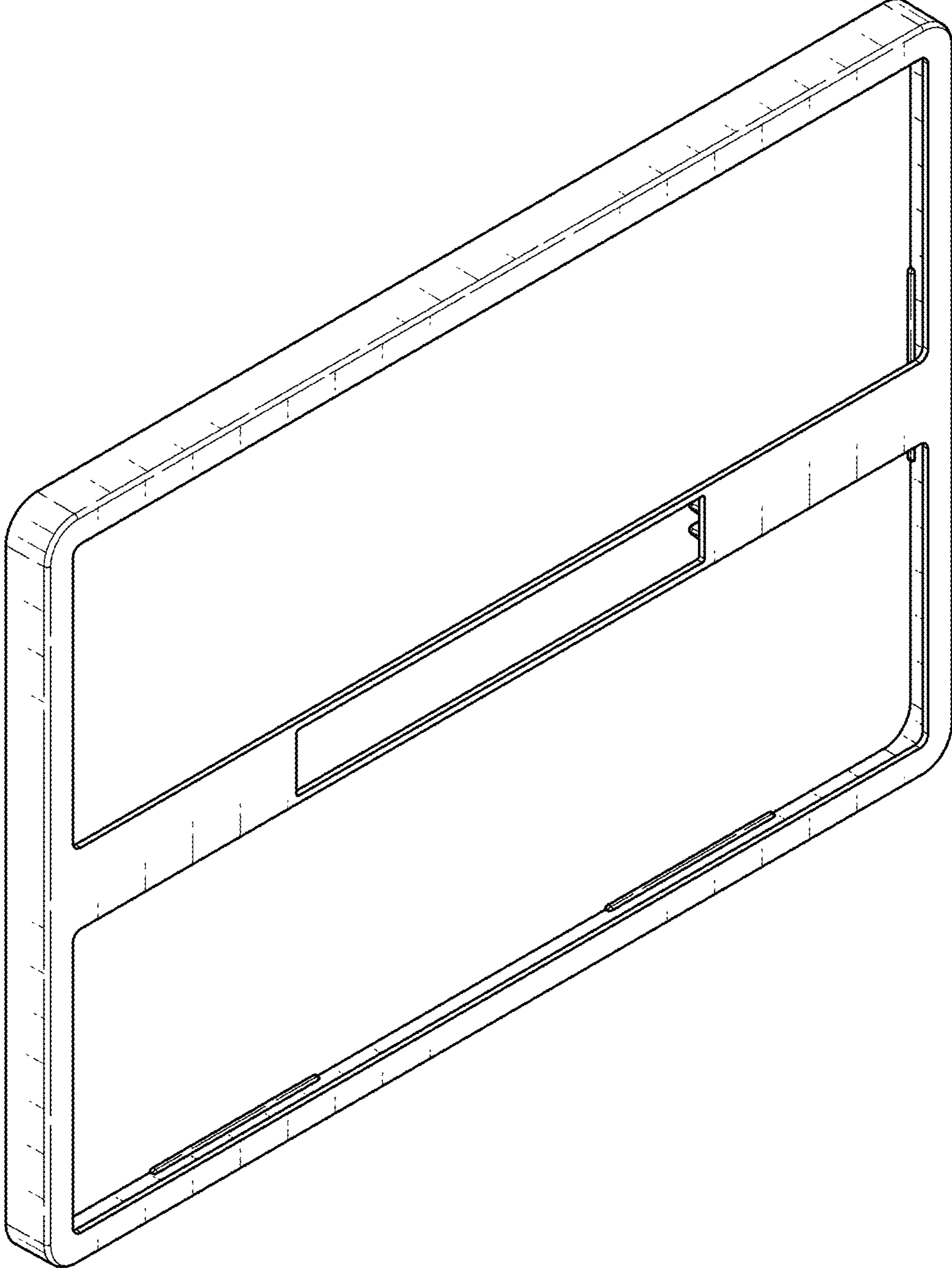


FIG. 1

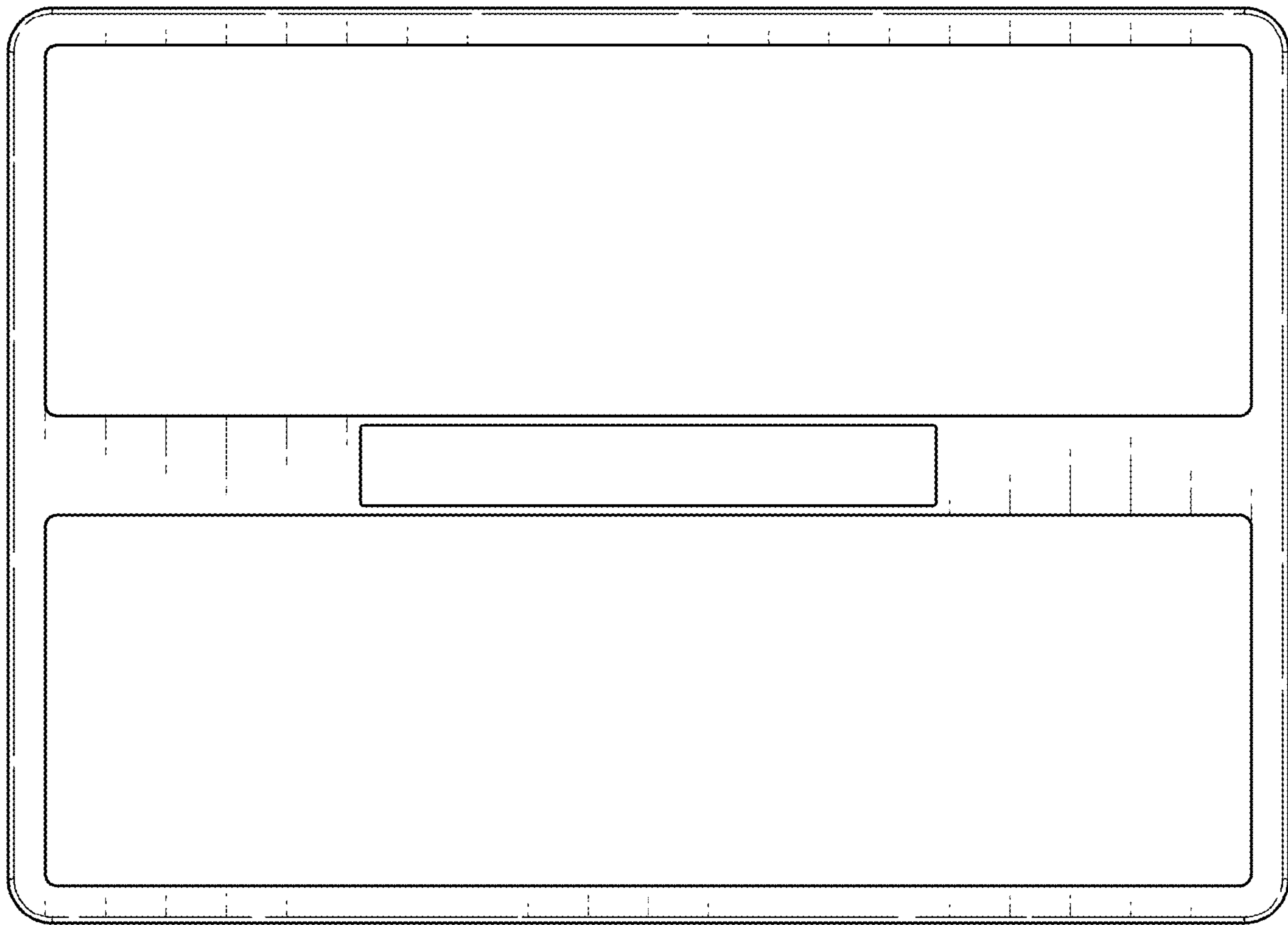


FIG. 2

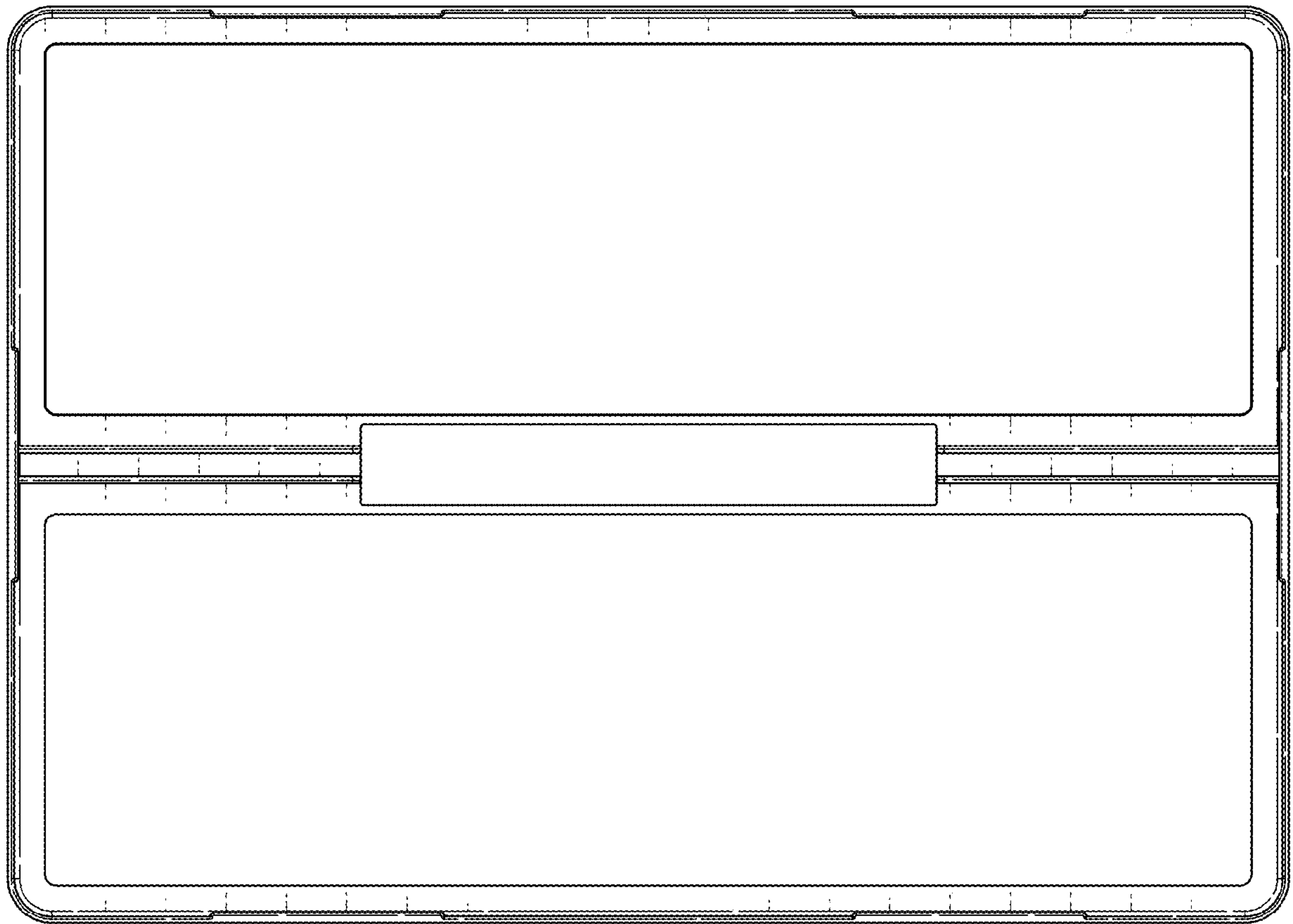


FIG. 3



FIG. 4

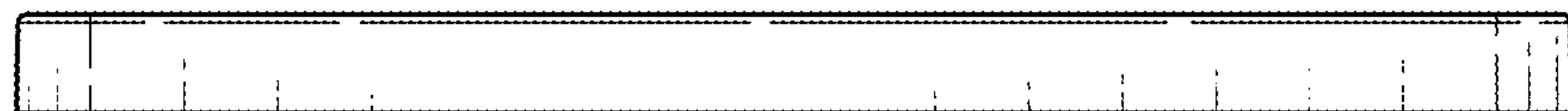


FIG. 5