



US00D968093S

(12) **United States Design Patent** (10) **Patent No.:** **US D968,093 S**
Malinky (45) **Date of Patent:** **** Nov. 1, 2022**

(54) **OIL BOTTLE HOLDER**

(71) Applicant: **LOWBROW CUSTOMS, LLC**,
Brunswick, OH (US)
(72) Inventor: **Tyler Malinky**, Brunswick, OH (US)
(73) Assignee: **LOWBROW CUSTOMS, LLC**,
Brunswick, OH (US)
(**) Term: **15 Years**

(21) Appl. No.: **29/728,405**

(22) Filed: **Mar. 18, 2020**

(51) **LOC (13) Cl.** **03-01**

(52) **U.S. Cl.**
USPC **D3/303**

(58) **Field of Classification Search**
USPC D3/203.1, 203.5–203.8, 215, 226–228,
D3/230, 232, 245–247, 273, 276,
D3/283–291, 299, 301, 303
CPC ... A45C 5/00; A45C 11/20; A45F 5/00; A45F
5/021
See application file for complete search history.

(56) **References Cited**

U.S. PATENT DOCUMENTS

D335,957 S *	6/1993	Cantrell	D3/229
D339,034 S *	9/1993	Walcott	D7/607
D419,392 S *	1/2000	Schlebusch	D7/619.1
D509,354 S *	9/2005	Tannenhauser	D3/229
D531,858 S *	11/2006	Johnson	D7/620
D540,030 S *	4/2007	Schnackenberg	D3/202
D540,031 S *	4/2007	Bouchard	A45F 3/02
				D3/202
D547,618 S *	7/2007	Exler	D7/619.1
D705,536 S *	5/2014	Moreau	D3/228
D792,104 S *	7/2017	Candell	D3/316
D808,165 S *	1/2018	Currier	D3/289
D839,592 S *	2/2019	Balchunas	D3/229
D923,427 S *	6/2021	Malinky	D7/624.2

(Continued)

OTHER PUBLICATIONS

Quart Oil Bottle Carrier—Black, unknown first available date, lowbrocustoms.com [online], [site visited Mar. 22, 2022], Available at URL: https://www.lowbrocustoms.com/products/quart-oil-bottle-carrier-black?_pos=1&_sid=894981c6b&_ss=r (Year: 2022).*

(Continued)

Primary Examiner — Michelle E. Wilson

Assistant Examiner — Caitlin A Laverty

(74) *Attorney, Agent, or Firm* — Renner, Otto, Boisselle & Sklar, LLP

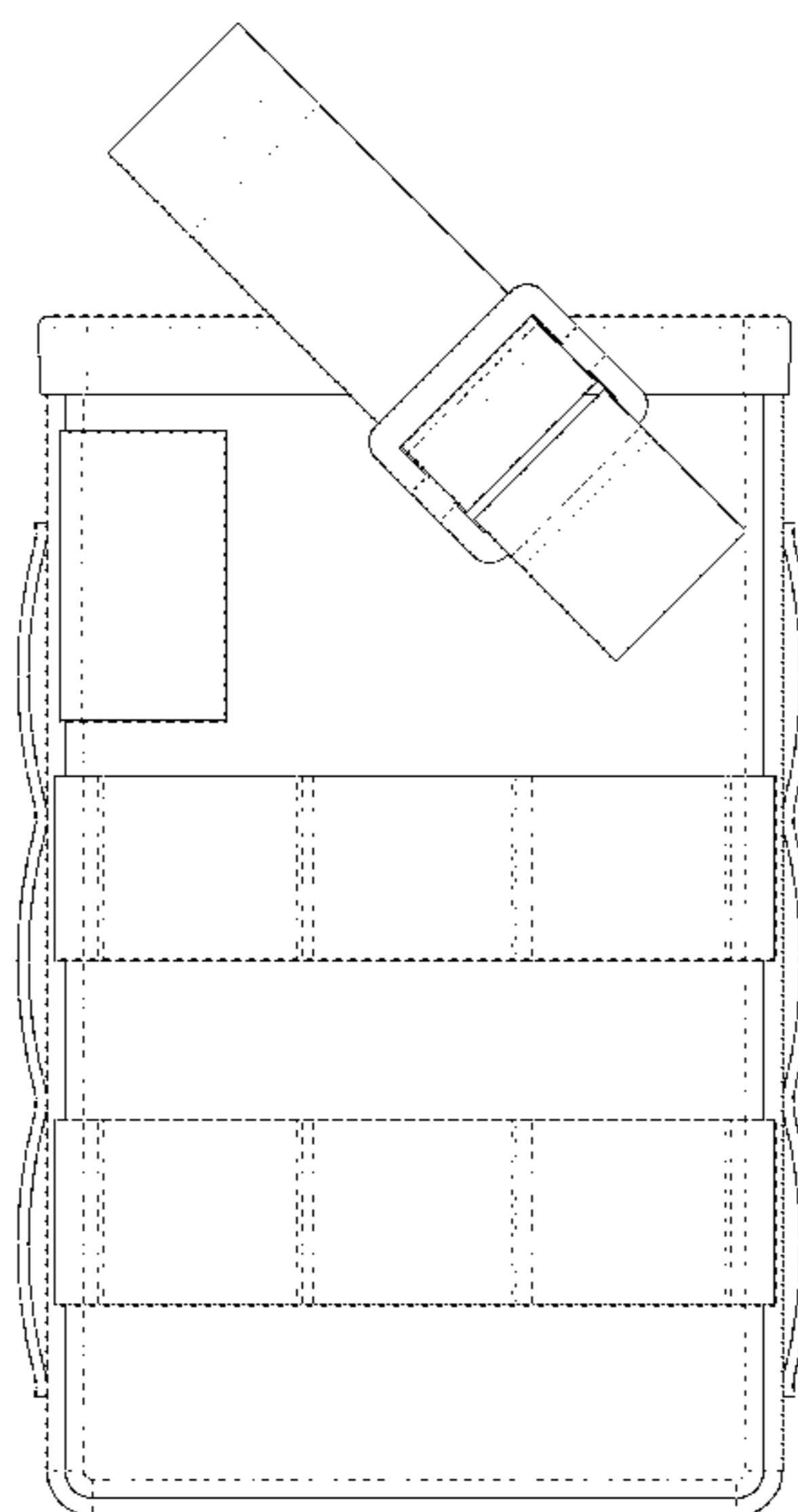
(57) **CLAIM**

The ornamental design for an oil bottle holder, as shown and described.

DESCRIPTION

FIG. 1 is a front elevation view of an oil bottle holder showing my new design;
FIG. 2 is a right side elevation view thereof;
FIG. 3 is a rear elevation view thereof;
FIG. 4 is a left side elevation view thereof;
FIG. 5 is a top, front perspective view thereof;
FIG. 6 is a top, right perspective view thereof;
FIG. 7 is a top, rear perspective view thereof;
FIG. 8 is a top, left perspective view thereof;
FIG. 9 is a bottom, front perspective view thereof;
FIG. 10 is a bottom, right perspective view thereof;
FIG. 11 is a bottom, rear perspective view thereof;
FIG. 12 is a bottom, left perspective view thereof;
FIG. 13 is a top plan view thereof; and,
FIG. 14 is a bottom plan view thereof.
The long-short-short dashed line showing of stitching is included for the purpose of illustrating environment and forms no part of the claimed design.

1 Claim, 14 Drawing Sheets



(56)

References Cited

U.S. PATENT DOCUMENTS

D932,318 S * 10/2021 Chen D9/711

OTHER PUBLICATIONS

Bottle Holder of Oil 1 Liter In Black Leather, unknown first available date, spaciobiker.com [online], [site visited Mar. 22, 2022], Available at URL: <https://www.spaciobiker.com/en/custom-saddlebags/70145-bottle-holder-of-oil-1-liter-in-black-leather.html> (Year: 2022).*

* cited by examiner

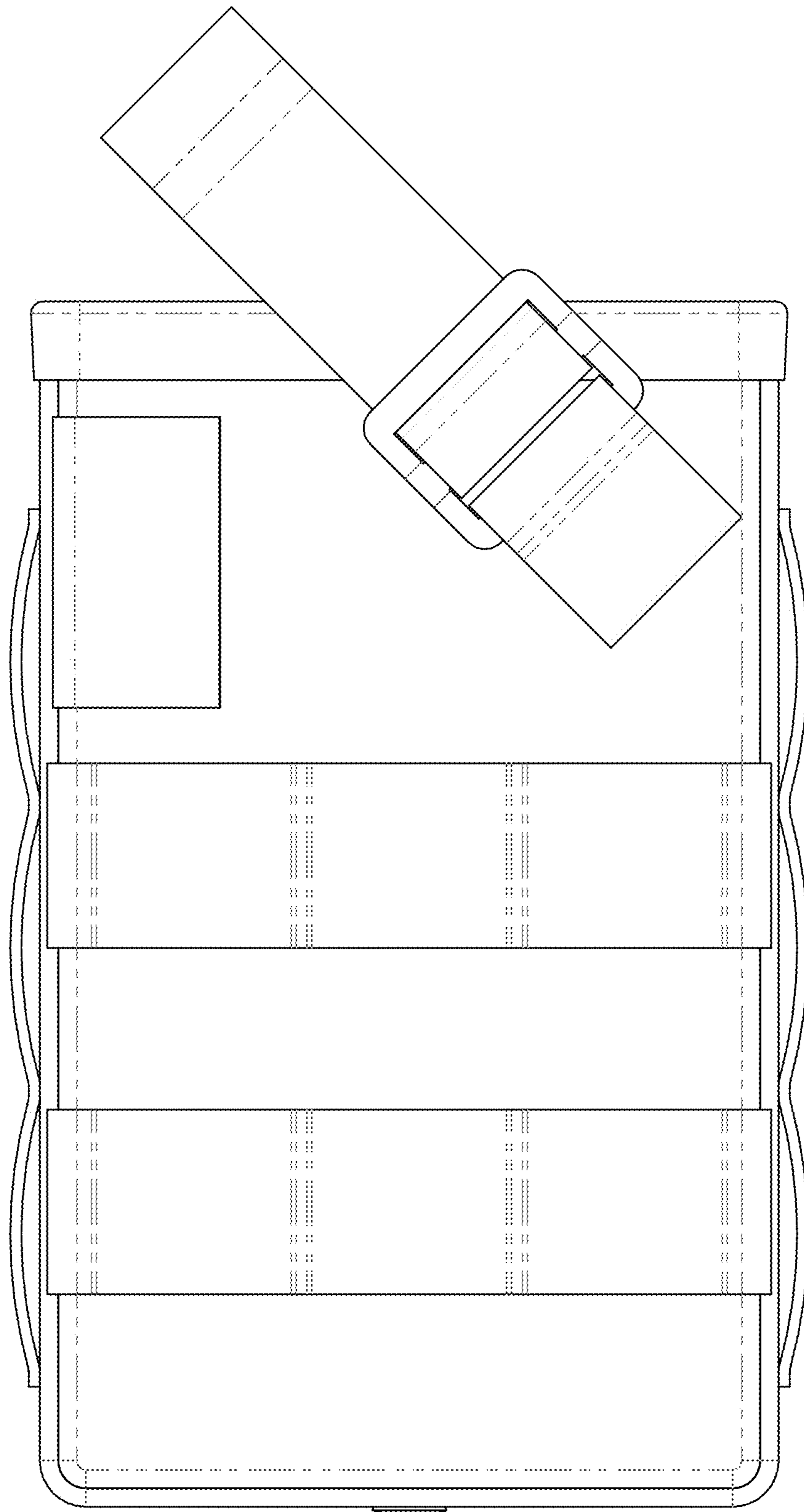


FIG. 1

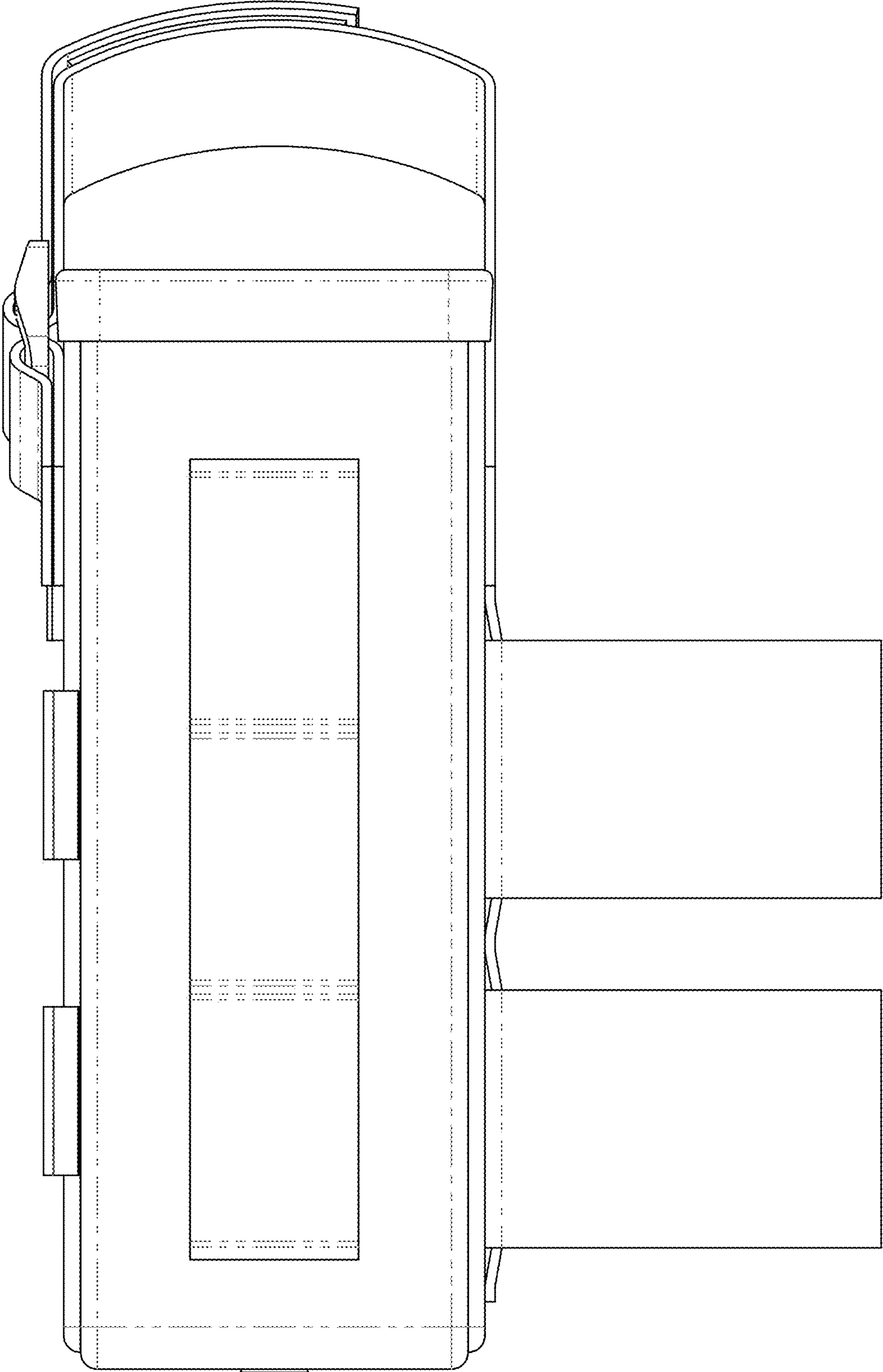


FIG. 2

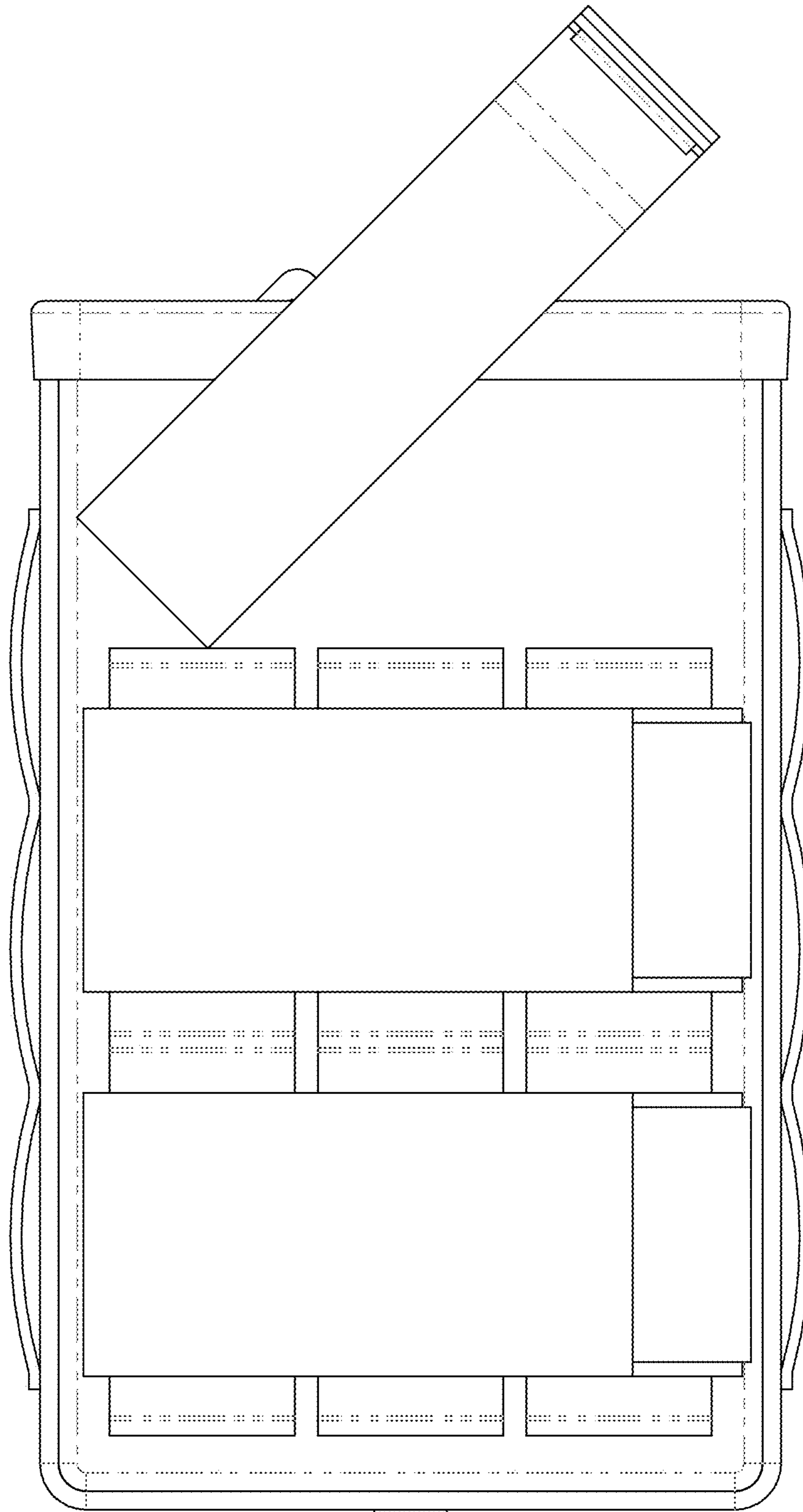


FIG. 3

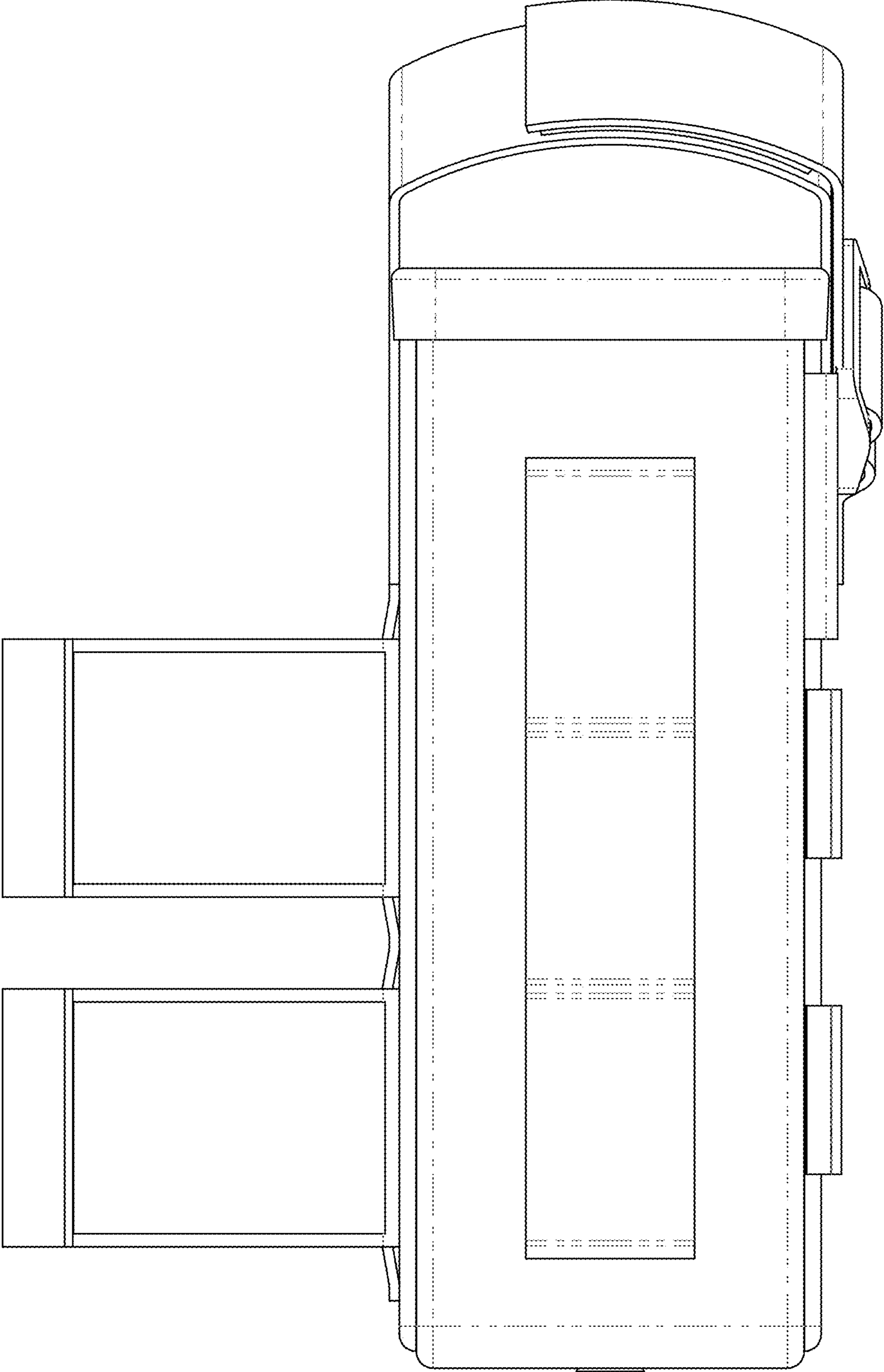


FIG. 4

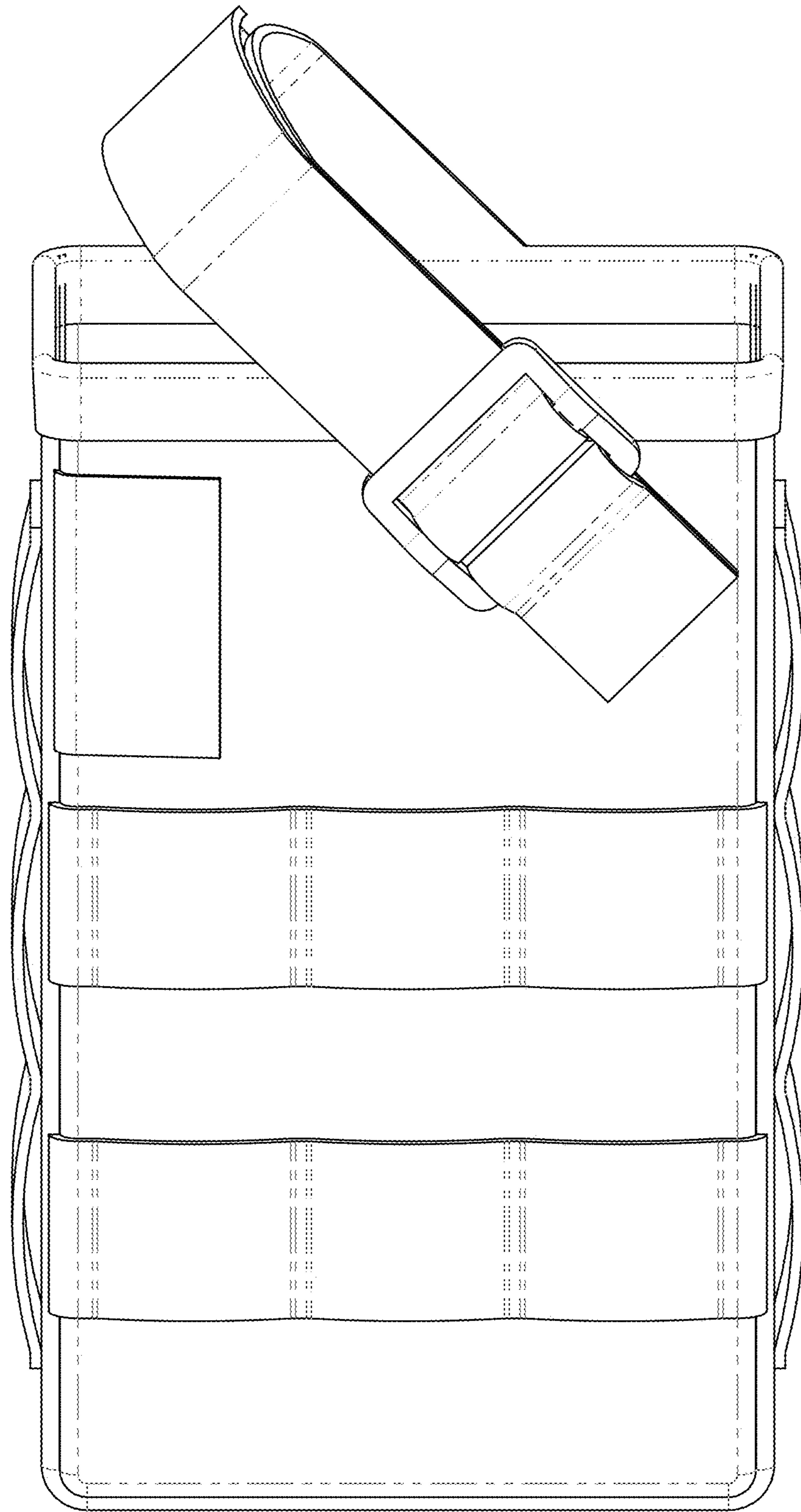


FIG. 5

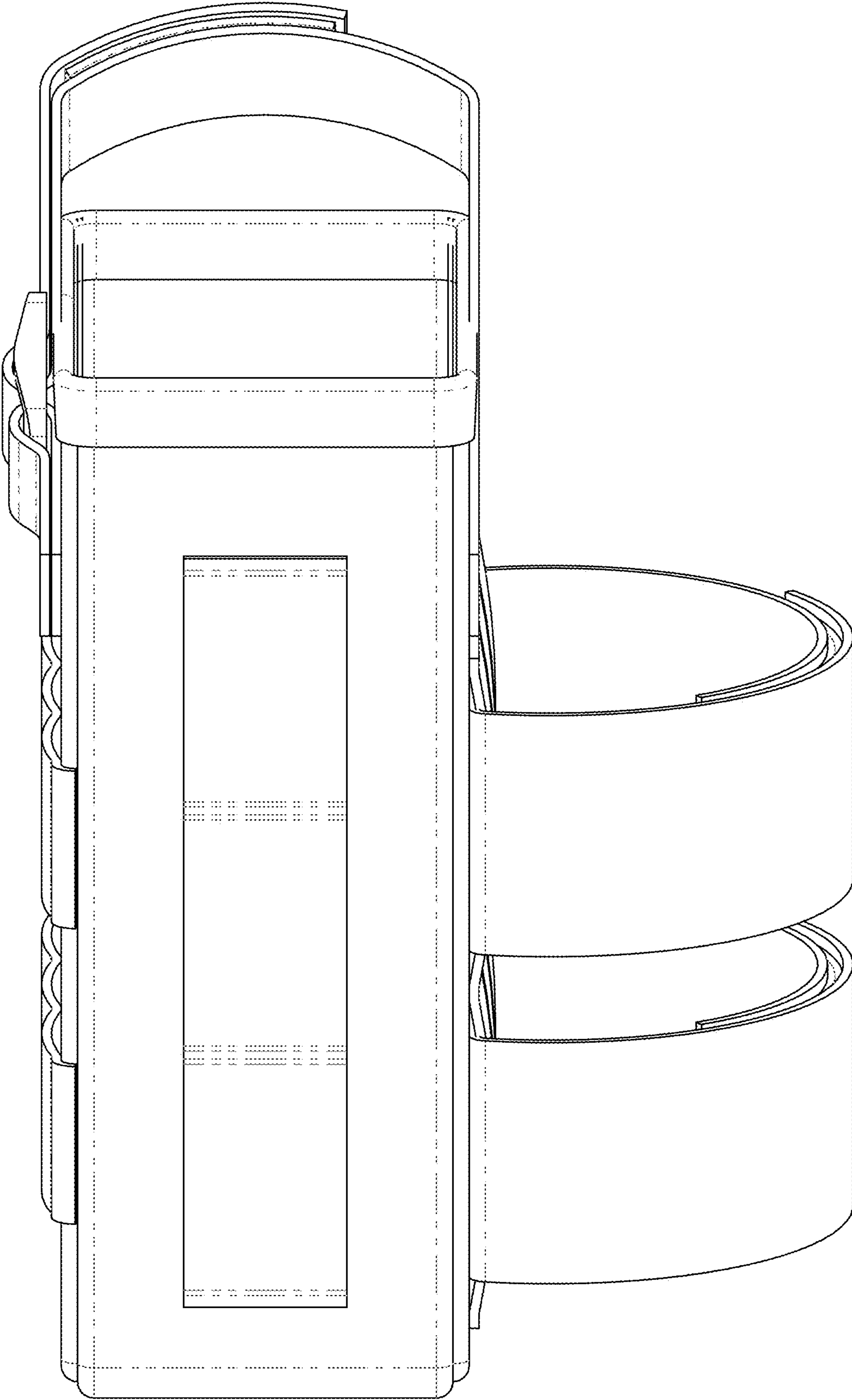


FIG. 6

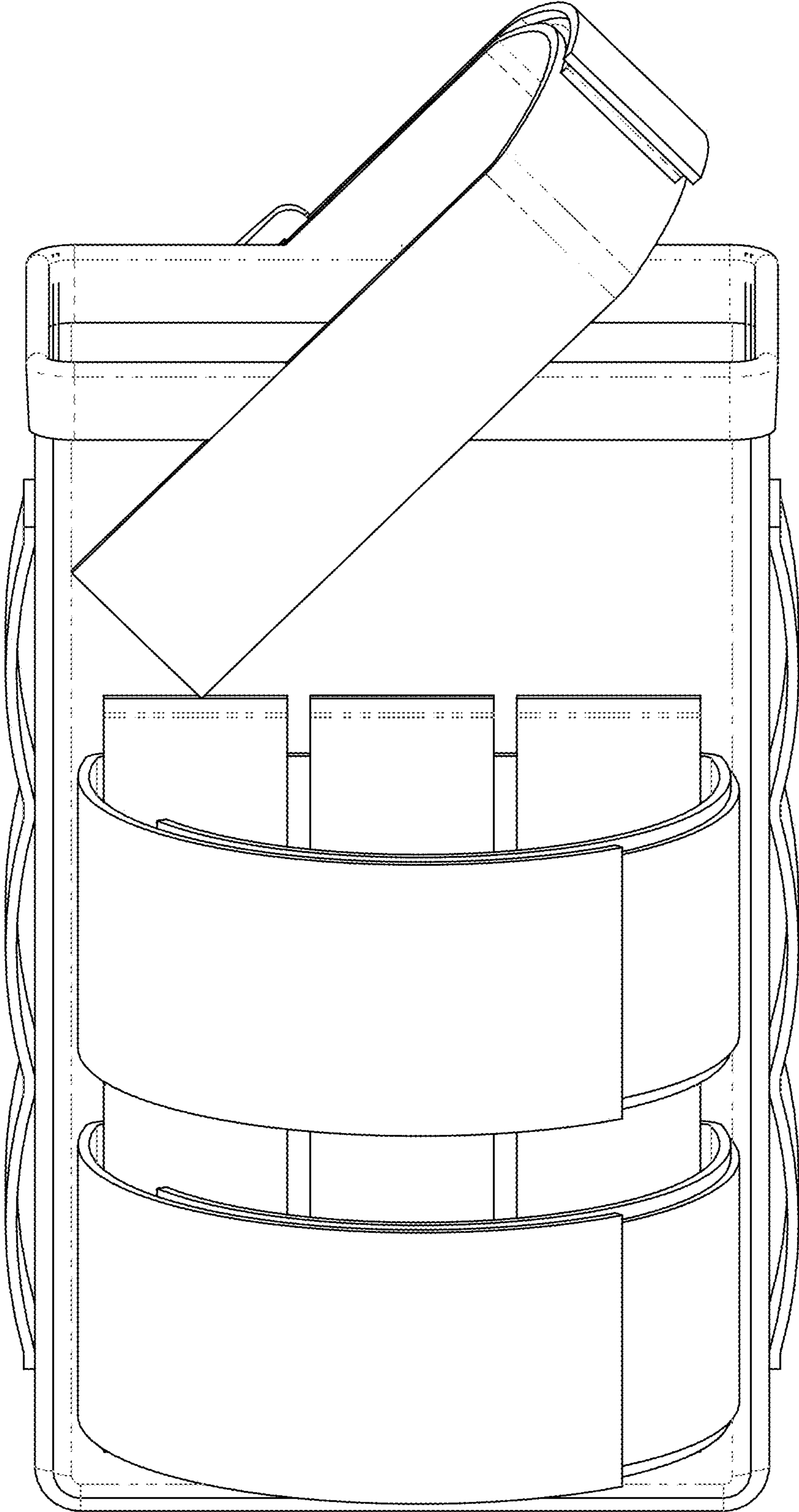


FIG. 7

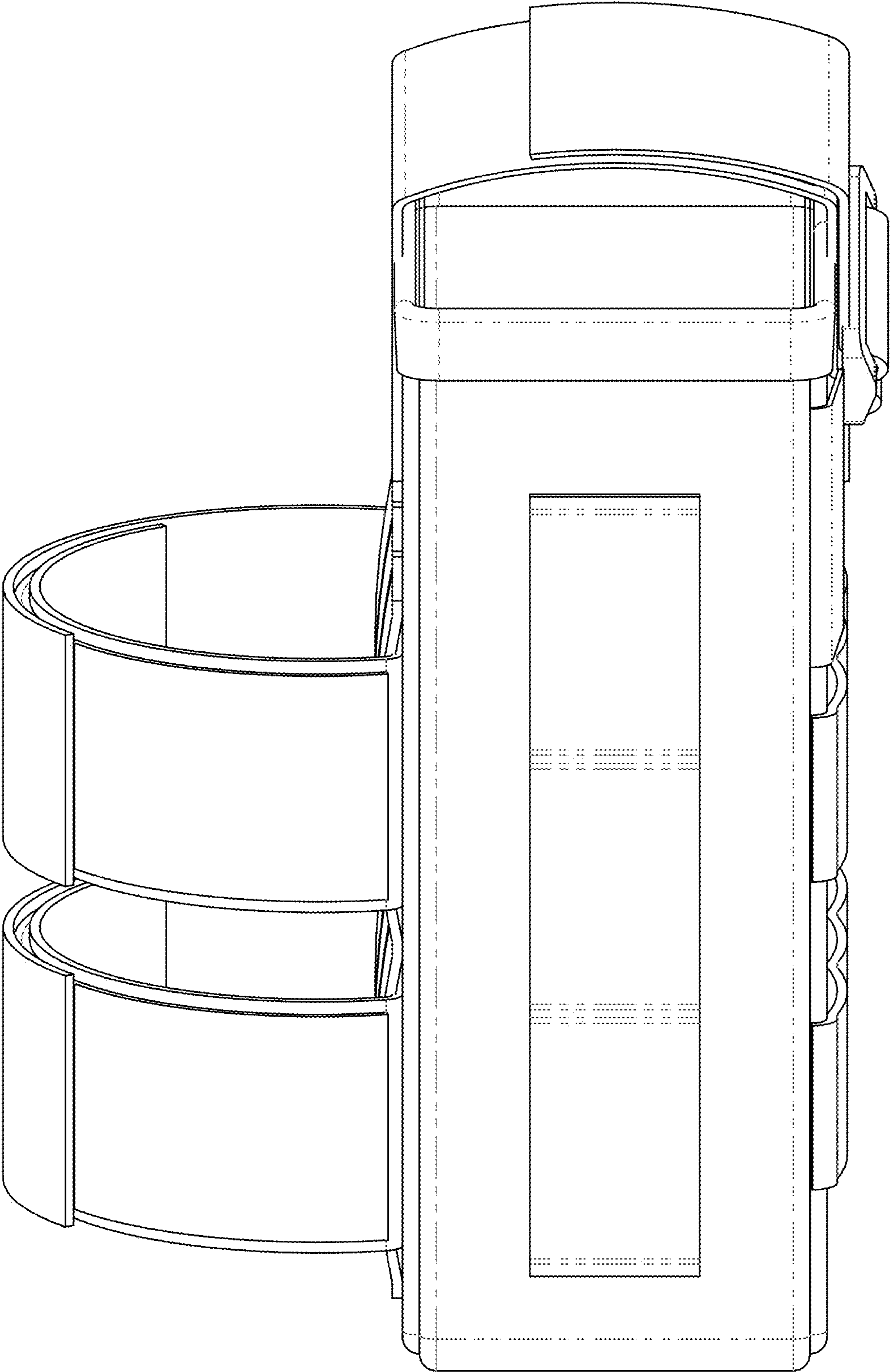


FIG. 8

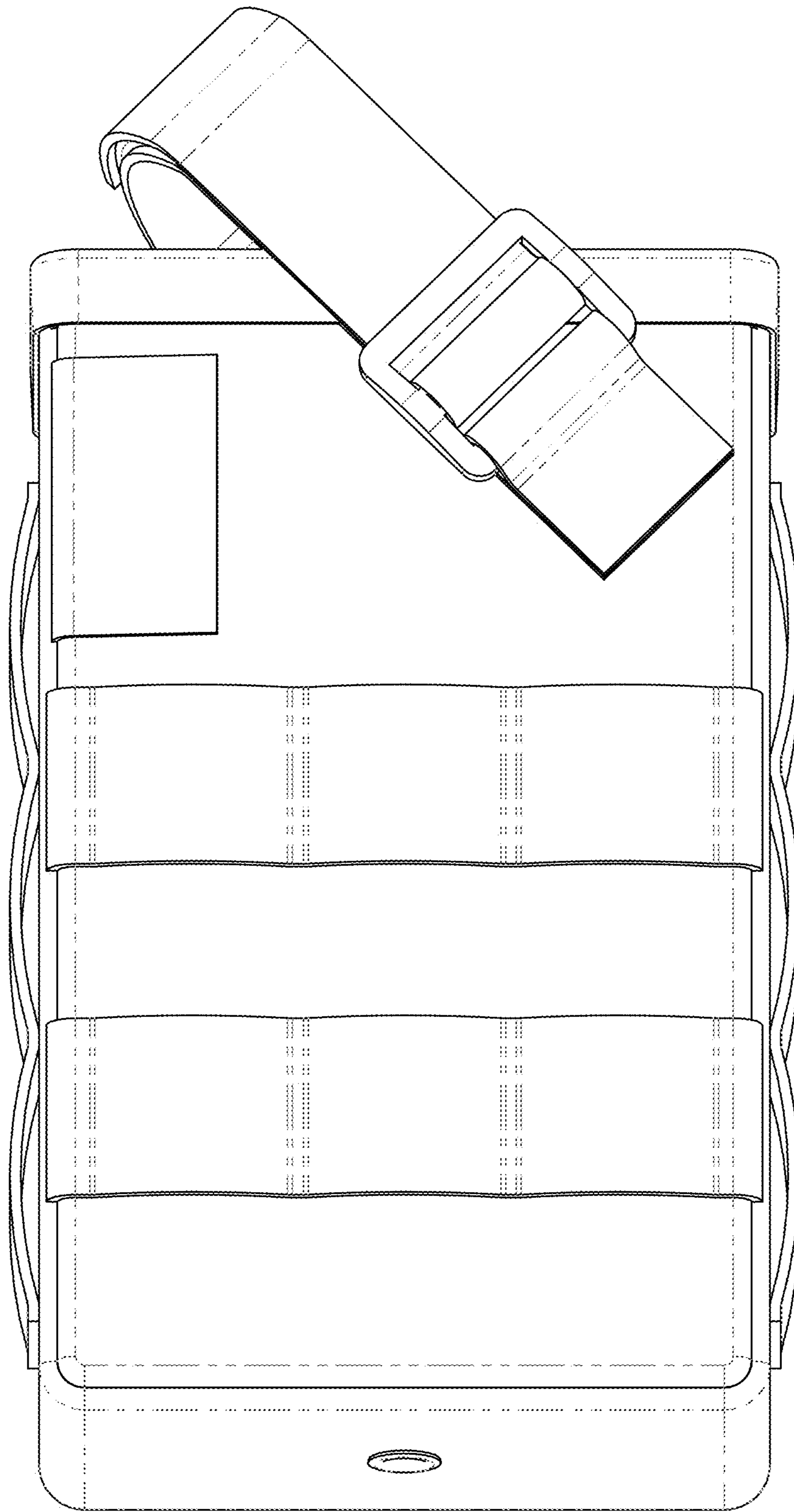


FIG. 9

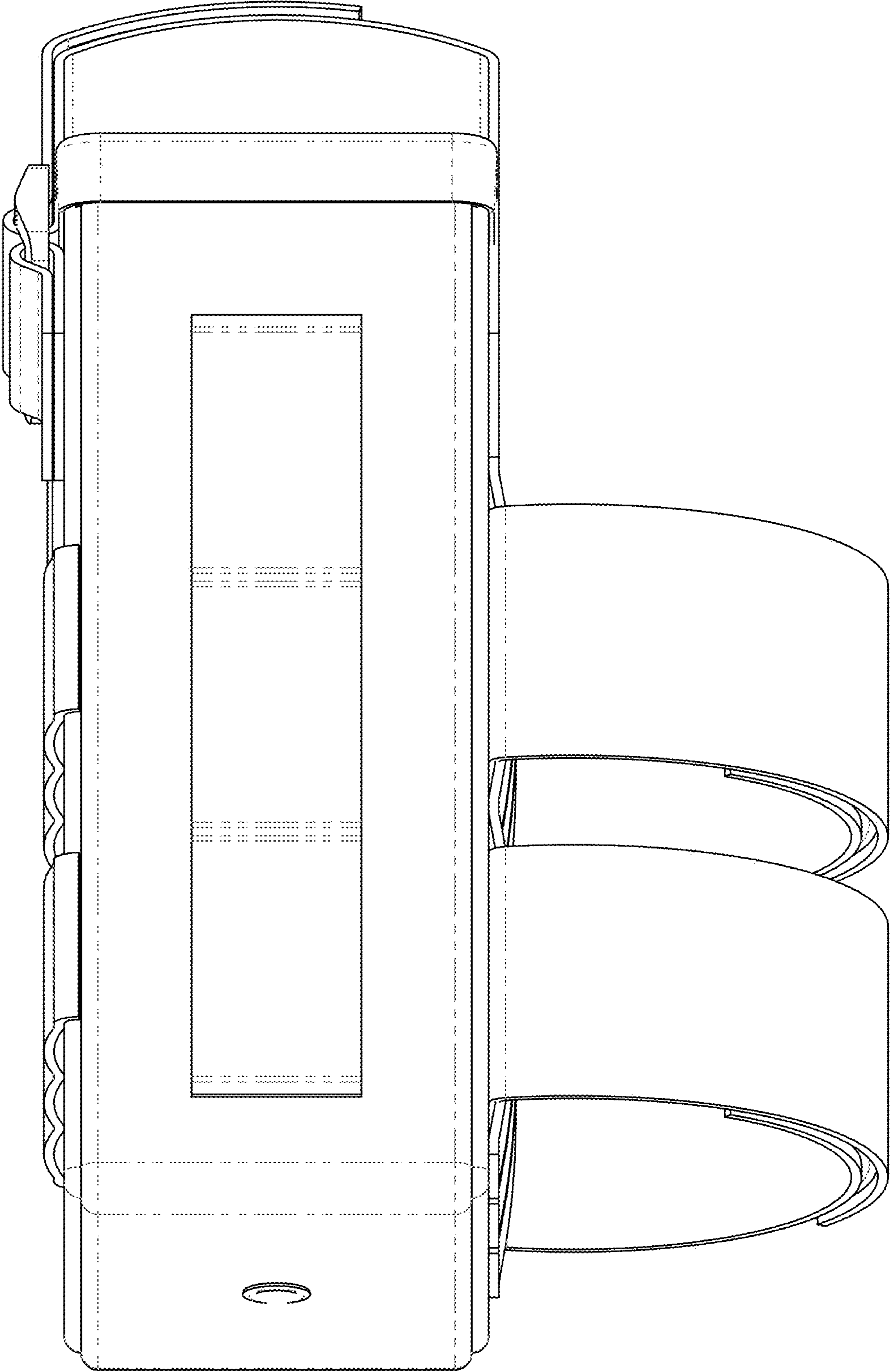


FIG. 10

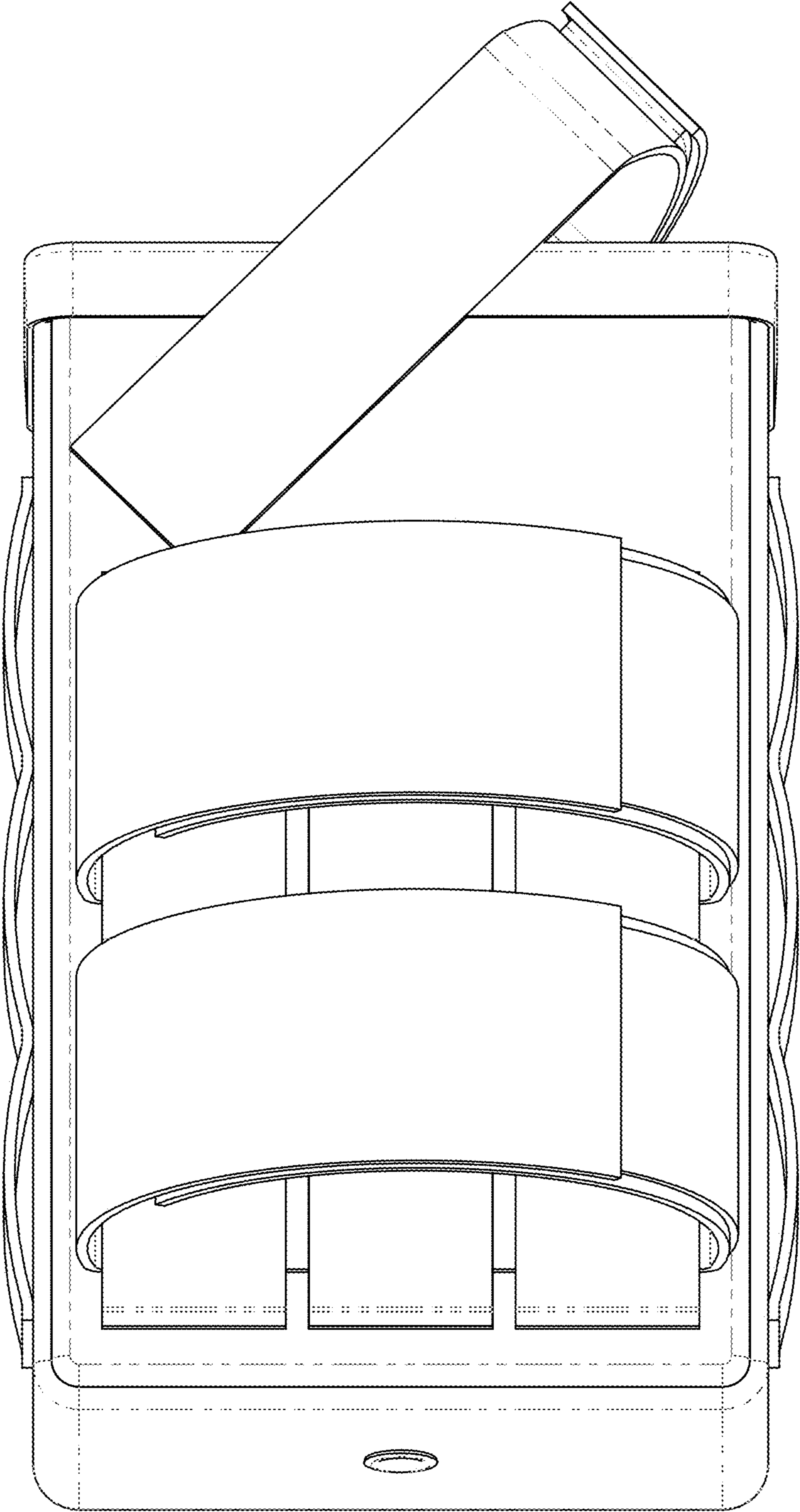


FIG. 11

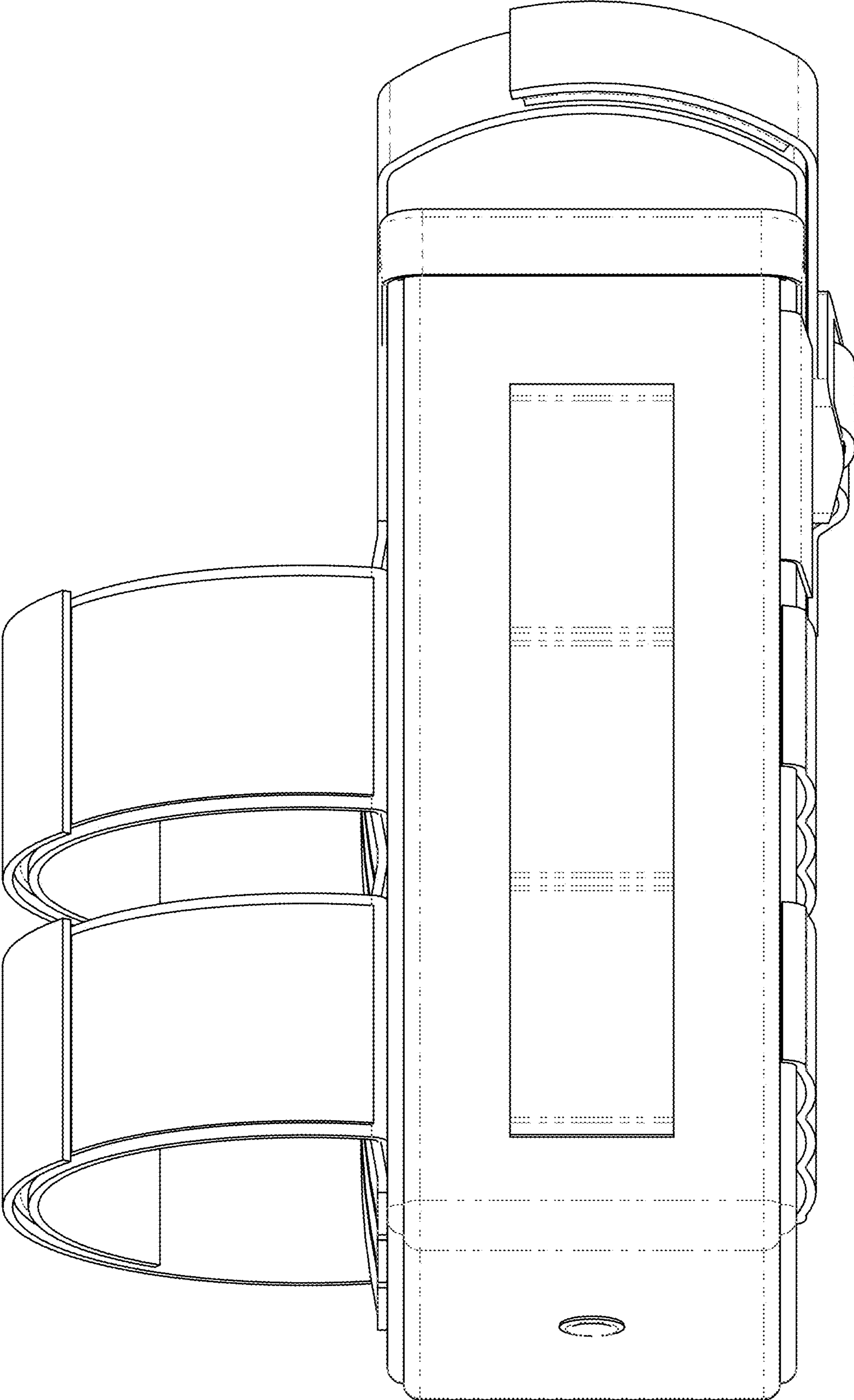


FIG. 12

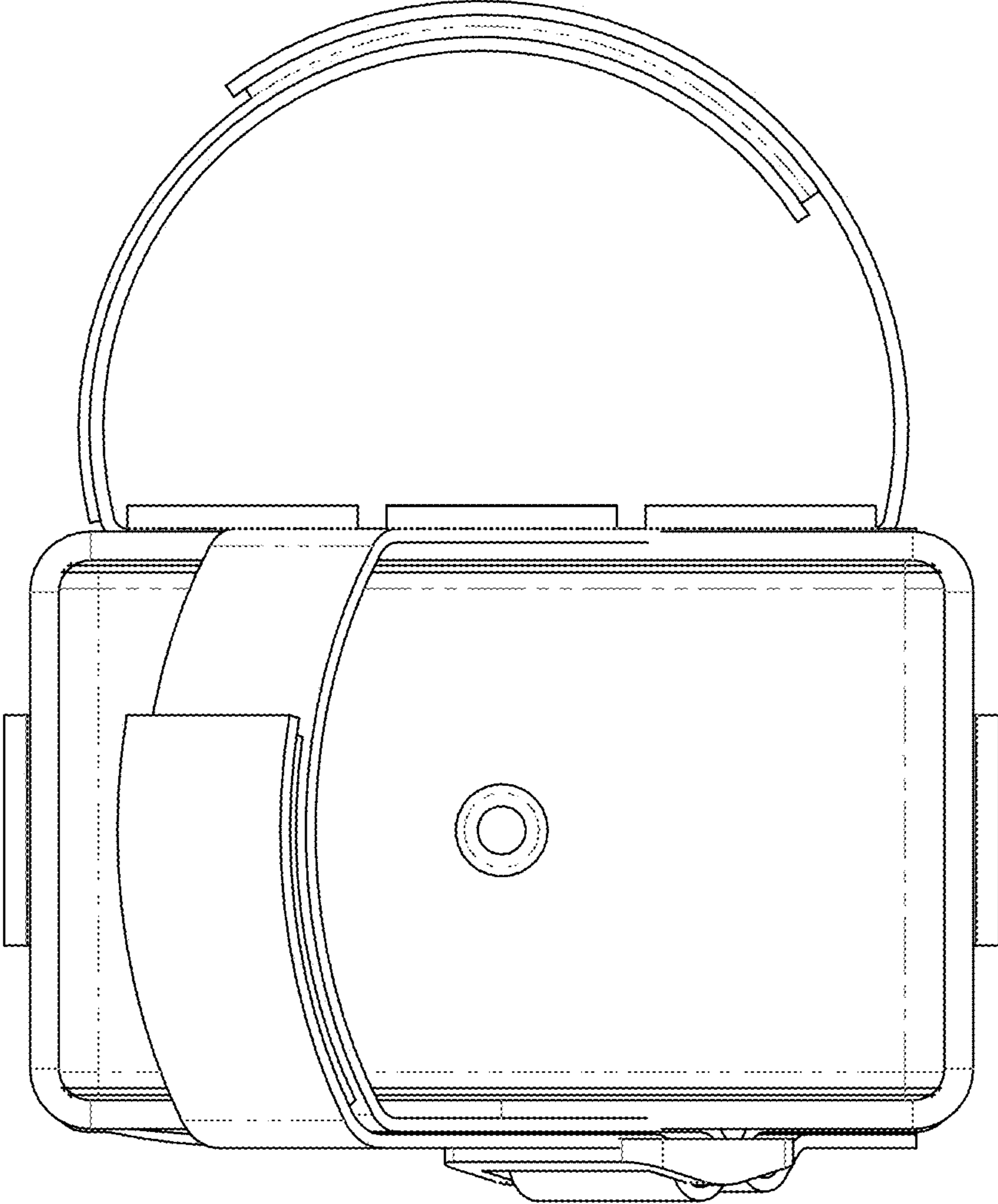


FIG. 13

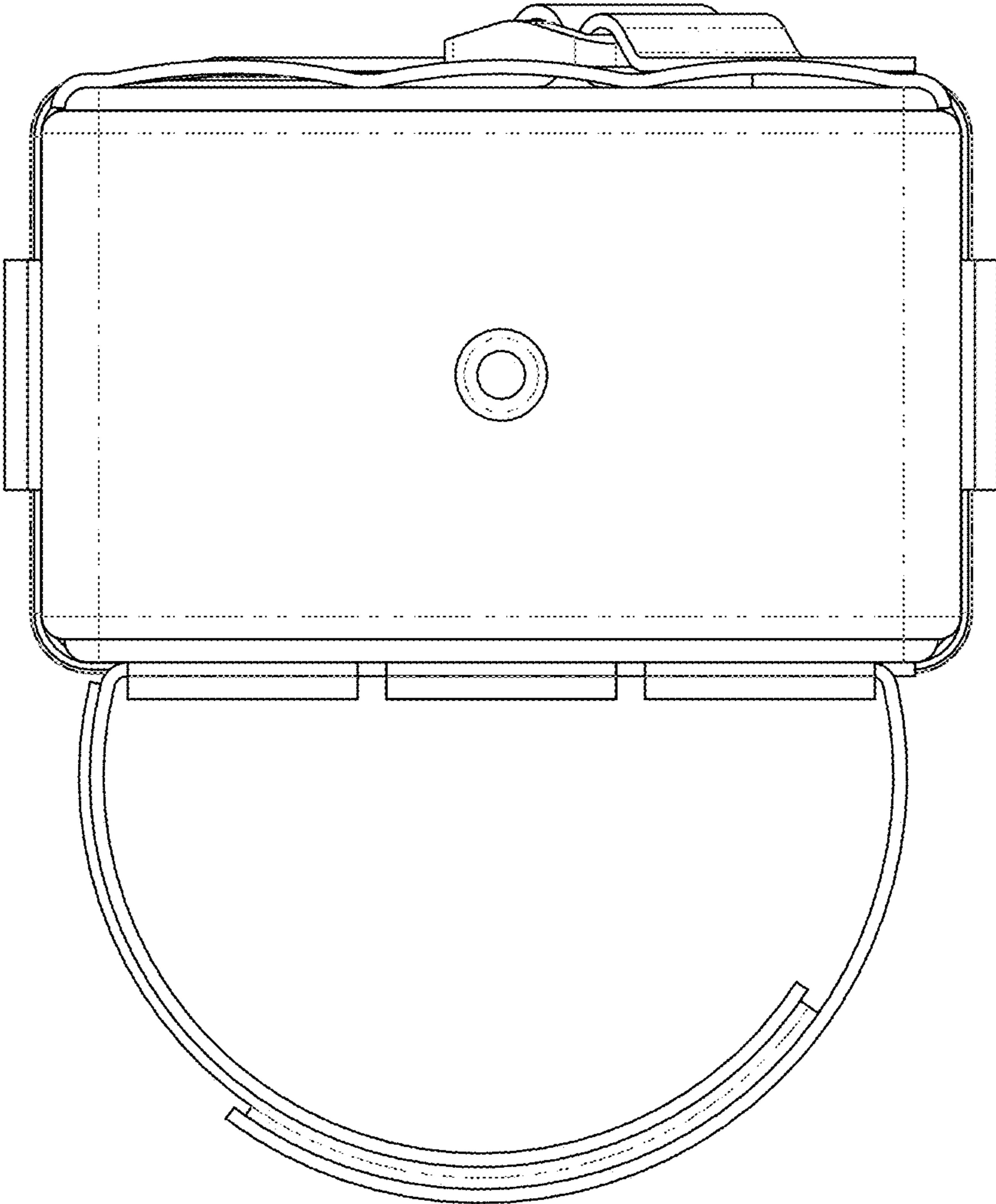


FIG. 14