



US00D968092S

(12) **United States Design Patent** (10) **Patent No.:** **US D968,092 S**
Hsu (45) **Date of Patent:** **** Nov. 1, 2022**

(54) **CONTAINER**

(71) Applicant: **L&F PLASTICS, CO., LTD.**, Miaoli County (TW)

(72) Inventor: **Mu-Chuan Hsu**, Miaoli County (TW)

(73) Assignee: **L&F PLASTICS, CO., LTD.**, Tainan (TW)

(**) Term: **15 Years**

(21) Appl. No.: **29/756,289**

(22) Filed: **Oct. 27, 2020**

Related U.S. Application Data

(62) Division of application No. 29/683,547, filed on Mar. 14, 2019, now Pat. No. Des. 919,972.

(51) **LOC (13) Cl.** **03-01**

(52) **U.S. Cl.**
USPC **D3/302**

(58) **Field of Classification Search**
USPC D3/905, 273, 276, 280, 282, 284, 294,
D3/298, 302, 304, 279

CPC B25H 3/00; B25H 3/003; B25H 3/006;
B25H 3/02; B25H 3/06; B65D 21/0222
See application file for complete search history.

(56) **References Cited**

U.S. PATENT DOCUMENTS

D381,513 S	7/1997	Brauner	
D382,112 S *	8/1997	Egan	D3/273
D424,299 S	5/2000	Varfeldt	
D505,262 S	5/2005	Chinni	
D511,624 S *	11/2005	Rosine	D3/273
7,104,414 B2	9/2006	Apps et al.	
D600,019 S	9/2009	Cope	
H2235 H	4/2010	Manounian	
D643,629 S *	8/2011	Sofy	D3/302
D645,248 S *	9/2011	Osiecki	D3/276

D661,901 S	6/2012	Orgeldinger	
D801,686 S	11/2017	Park	
D826,557 S *	8/2018	Han	D3/282
D859,836 S	9/2019	Ritzberger	
D879,471 S *	3/2020	Nelson	D3/282
D927,853 S *	8/2021	Hsu	D3/302
11,117,714 B2 *	9/2021	Green	B65D 21/0222
2006/0011627 A1	1/2006	Overholt et al.	
2015/0131039 A1	5/2015	Wang et al.	

OTHER PUBLICATIONS

Keyway, "Hynix pulley storage box", Accessed Dec. 29, 2021. (https://keyway.com.tw/content/product/pro_cont.aspx?SiteID=1&MSid=712144026177531577&SID=1001044701626633652) (Year: 2021).*

(Continued)

Primary Examiner — April Rivas

(74) *Attorney, Agent, or Firm* — Millen, White, Zelano & Branigan, P.C.; William Nixon; Wan-Ching Montfort

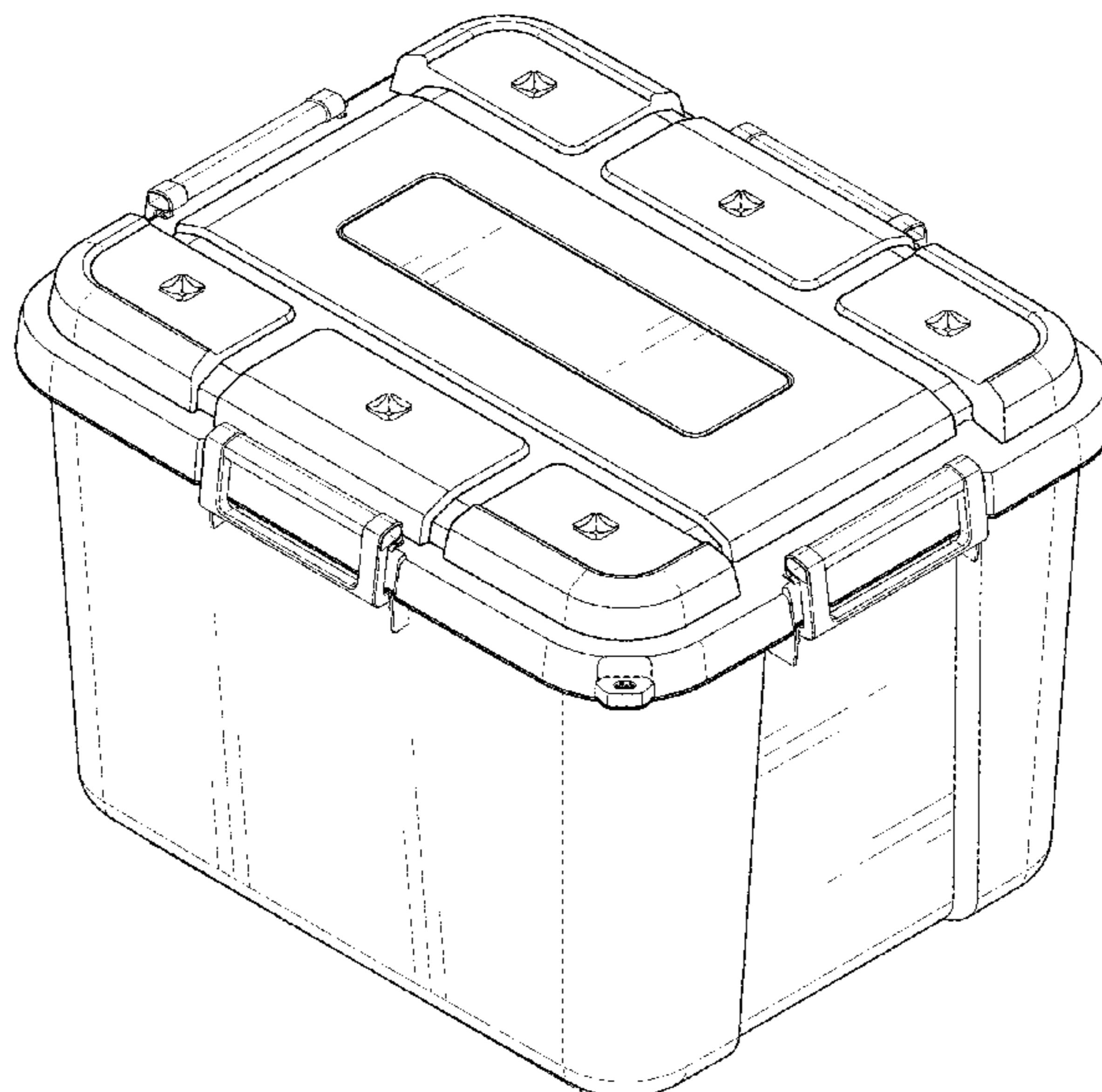
(57) **CLAIM**

The ornamental design for a container, as shown and described.

DESCRIPTION

FIG. 1 is a front perspective view of a container showing my new design;
FIG. 2 is a front view thereof and the rear view thereof being a same image;
FIG. 3 is a right side view thereof and the left side view thereof being a same image;
FIG. 4 is an enlarged view of the encircled portion 4 in FIG. 3;
FIG. 5 is a top view thereof; and,
FIG. 6 is a bottom view thereof.
The broken lines in the figures show portions of the container that form no part of the claimed design.

1 Claim, 6 Drawing Sheets



(56)

References Cited

OTHER PUBLICATIONS

Shopee.tw, “[Hynix pulley storage box] 60/90L optional storage box”, First reviewed Aug. 3, 2019 [Link shortened due to incompatibility with Chinese characters, please see printed document for original] (<https://bit.ly/3qA1pj6>) (Year: 2019).*

Amazon, “QTJH Collapsible Storage Bin/Containe . . .”, First on sale Jul. 17, 2020. (<https://www.amazon.com/dp/B08D6D2KJ9/>) (Year: 2020).

Keyway, “Hynix 800 folding basket”, Accessed Jan. 21, 2021. (http://www.keyway.com.tw/content/praduct/pro_cont.aspx?SiteID=2&MSid=701725301405576515&SID=1035401050103605676) (Year: 2021).

Form-892 in corresponding U.S. Appl. No. 29/683,547 (1 page).

* cited by examiner

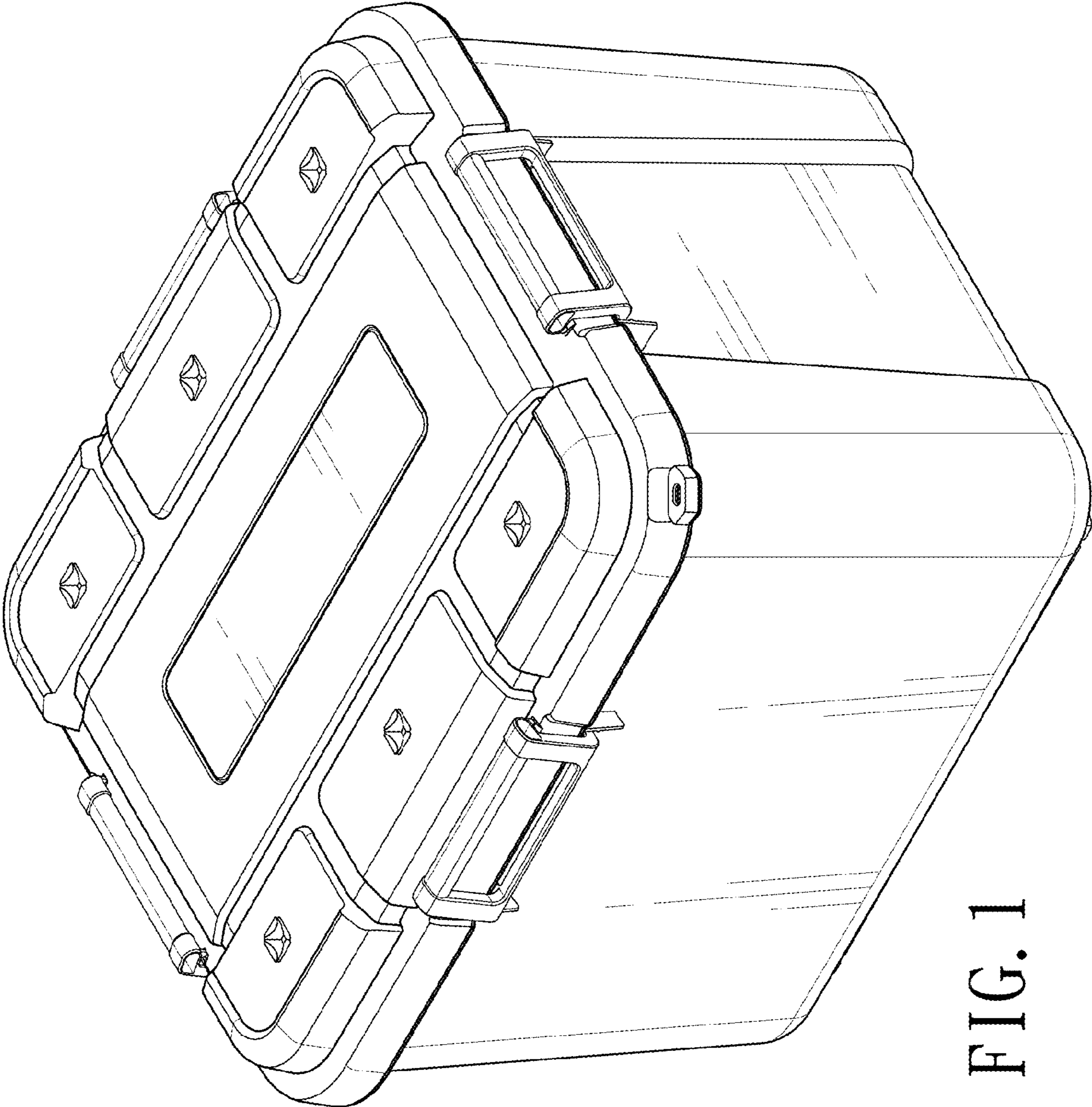


FIG. 1

FIG. 2

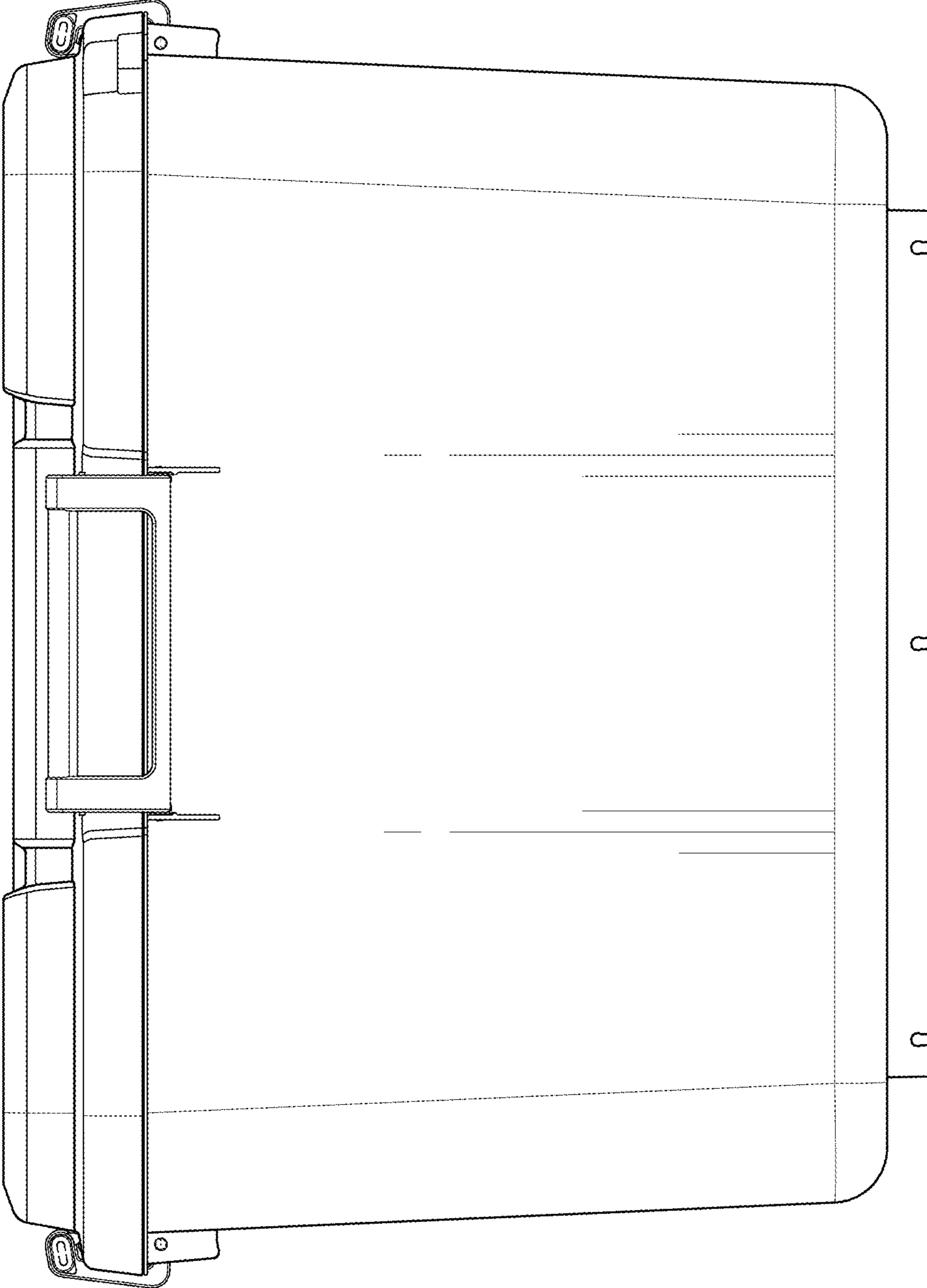


FIG. 3

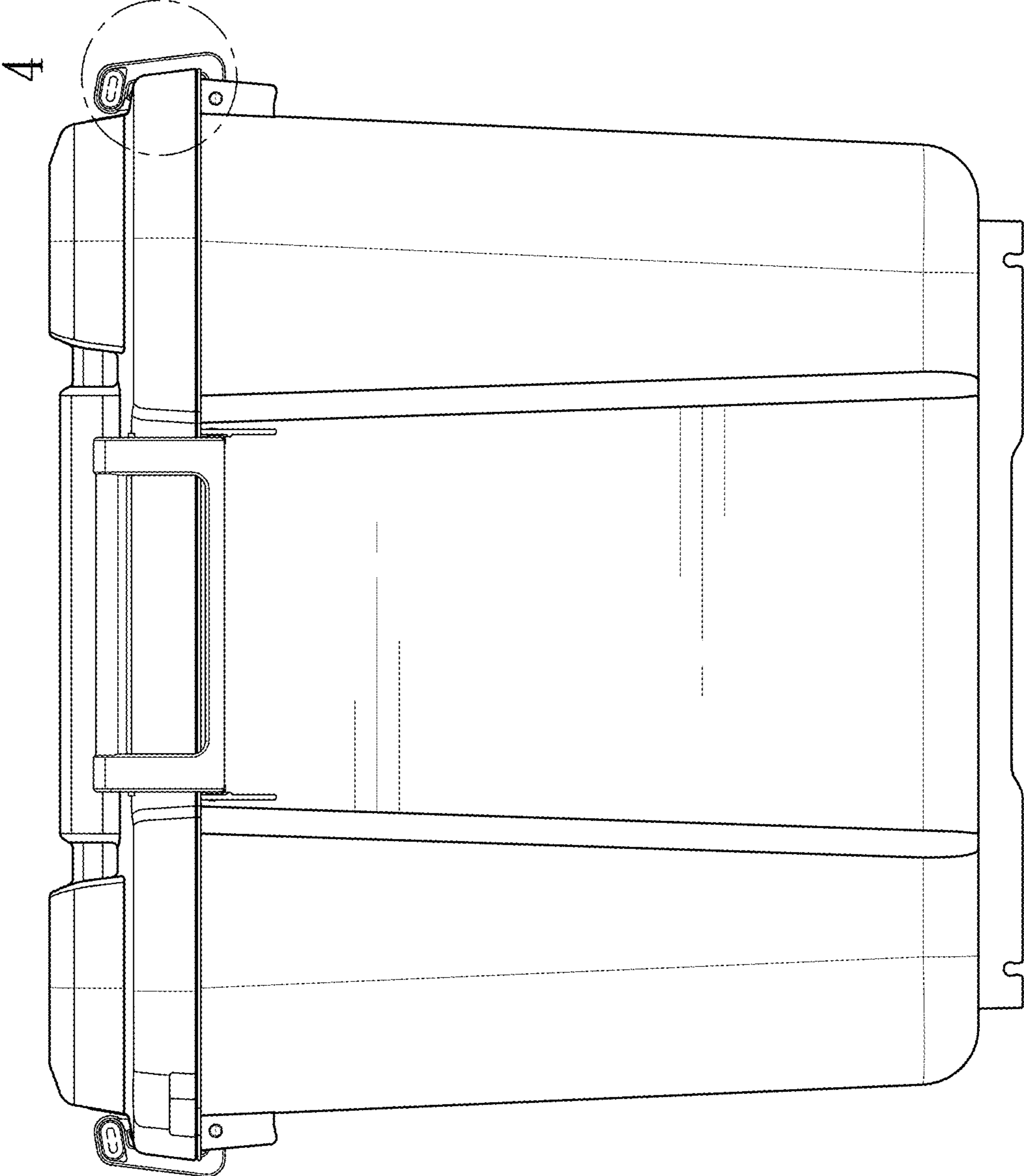


FIG. 4

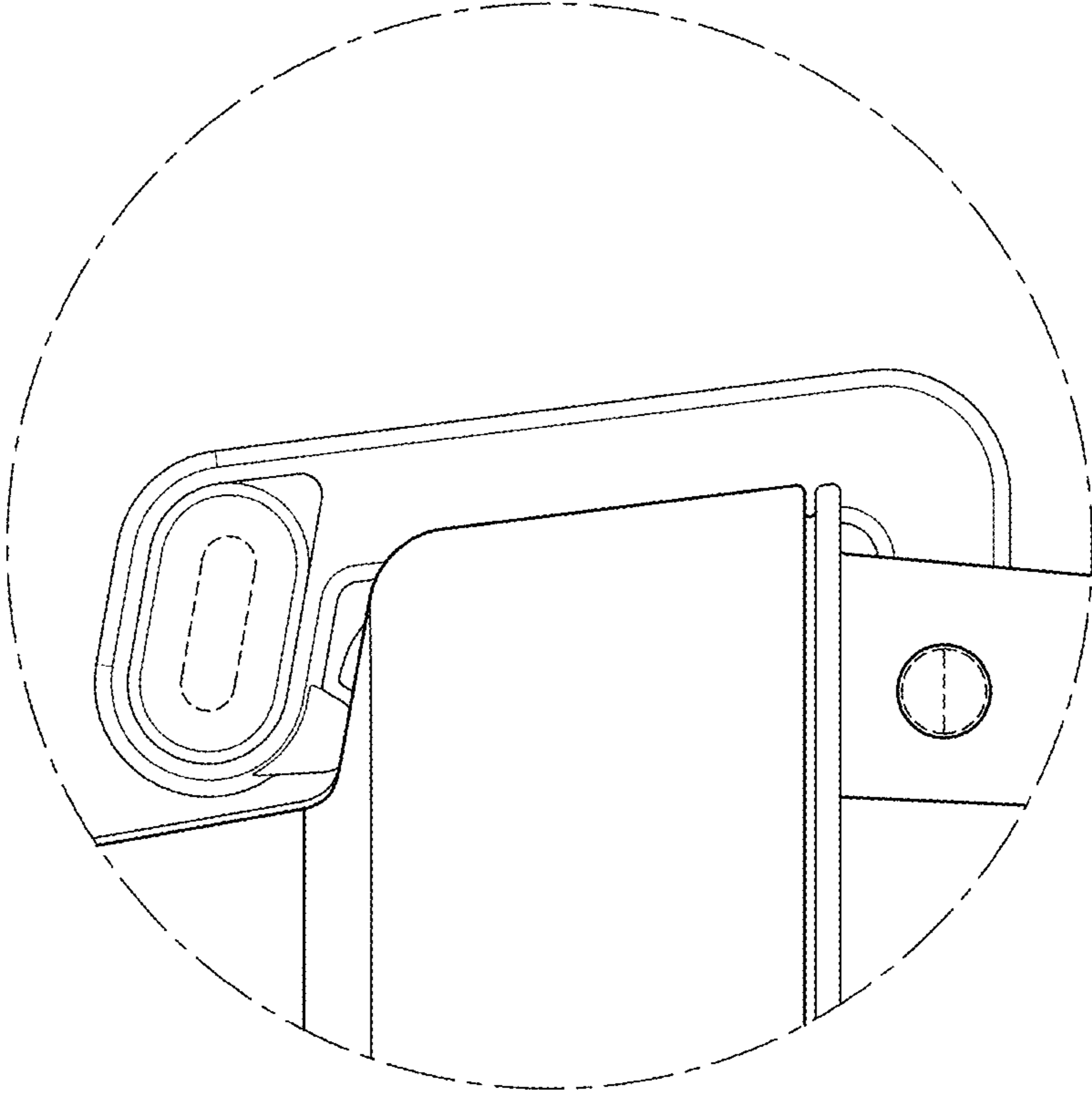


FIG. 5

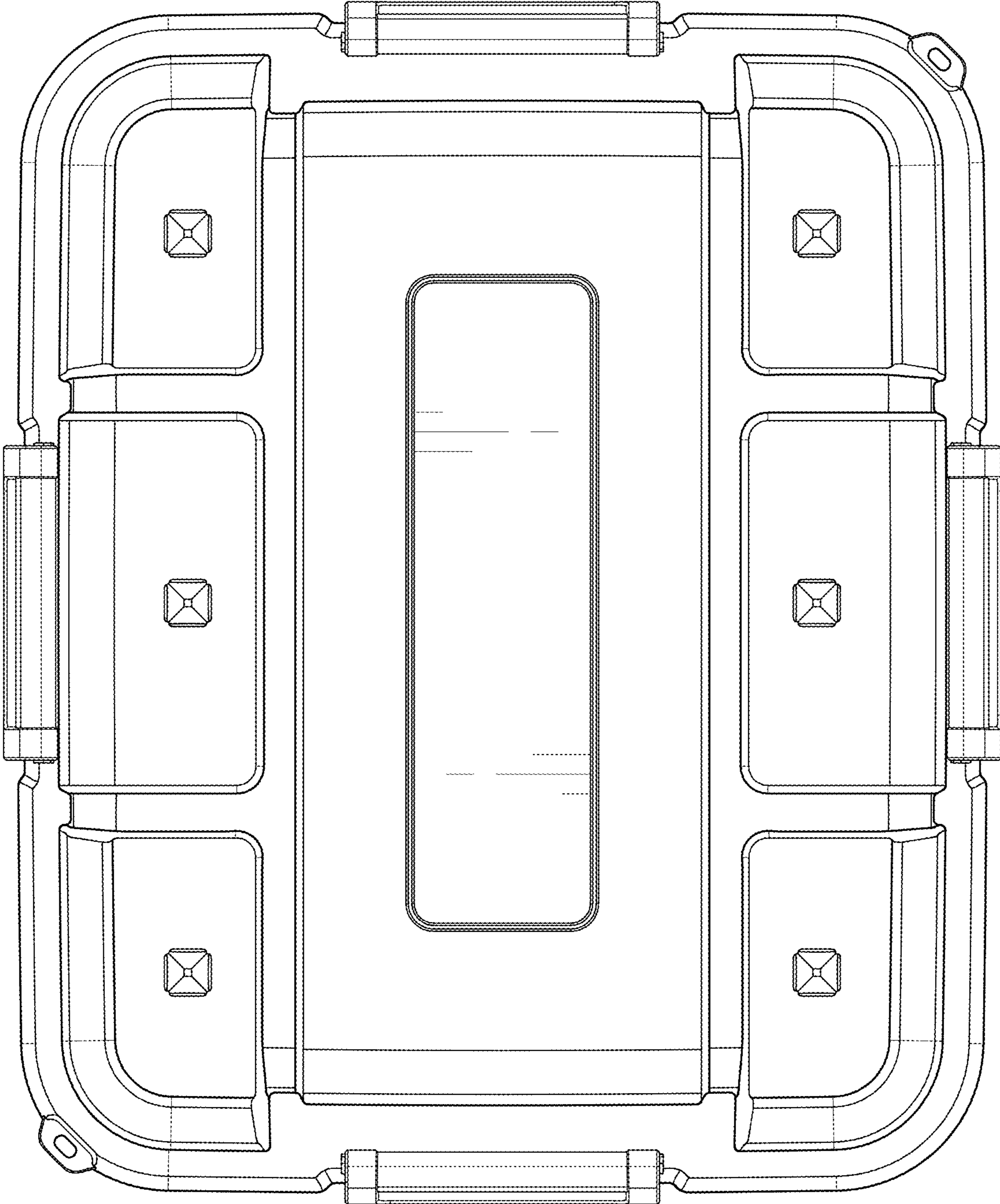


FIG. 6

