



US00D968091S

(12) **United States Design Patent** (10) **Patent No.:** **US D968,091 S**
Schilling et al. (45) **Date of Patent:** **** Nov. 1, 2022**

(54) PACKAGING FOR JEWELRY	1,666,001 A * 4/1928 Catala A45C 11/16 206/754
(71) Applicant: LXL Group Inc. , Grand Cayman (KY)	2,052,432 A 8/1936 Warner D151,956 S 12/1948 Baud
(72) Inventors: Frank Schilling , Grand Cayman (KY); Sait Bozkurt , Istanbul (TR); Onur Kirtay , Istanbul (TR)	2,673,642 A 3/1954 Smalley 2,702,117 A 2/1955 Thompson 2,711,820 A 6/1955 Young D257,800 S * 1/1981 Pedersen D3/275 4,732,269 A 3/1988 Roy D381,198 S 7/1997 Just D401,146 S 11/1998 Srinual D408,145 S 4/1999 Au 6,193,066 B1 2/2001 Kilmartin, III 6,776,281 B2 8/2004 Ovadia D513,568 S 1/2006 Au D844,326 S 4/2019 Routh D878,113 S 3/2020 Leonorovitz
(73) Assignee: LXL Group Inc. , Grand Cayman (KY)	
(**) Term: 15 Years	
(21) Appl. No.: 29/652,713	
(22) Filed: Oct. 29, 2020	

Related U.S. Application Data

(62) Division of application No. 29/690,531, filed on May 8, 2019.

(51) **LOC (13) Cl.** **03-01**

(52) **U.S. Cl.**
USPC **D3/294**; D3/903; D9/420

(58) **Field of Classification Search**
USPC D3/201, 205, 203.1, 218, 242, 263,
D3/273-276, 279-282, 284, 292, 294,
D3/295, 296, 299, 301, 302, 318, 321,
D3/905, 901, 903, 271.4; D9/423, 420,
D9/430, 432; D28/76, 77, 78, 81, 83, 91;
206/6.1
CPC A45C 5/00; A45C 5/005; A45C 2005/032;
A45C 2005/035; A45C 2005/307; A45C
11/00; A45C 13/002; A45C 11/16; A47F
7/03
See application file for complete search history.

References Cited

U.S. PATENT DOCUMENTS

D9,689 S 1/1877 Morgan
D45,251 S 2/1914 Chodorkow et al.

OTHER PUBLICATIONS

U.S. trademark application No. 88160099, filed Oct. 18, 2018.

* cited by examiner

Primary Examiner — Mary Shannon Malley
(74) *Attorney, Agent, or Firm* — Oppedahl Patent Law Firm LLC

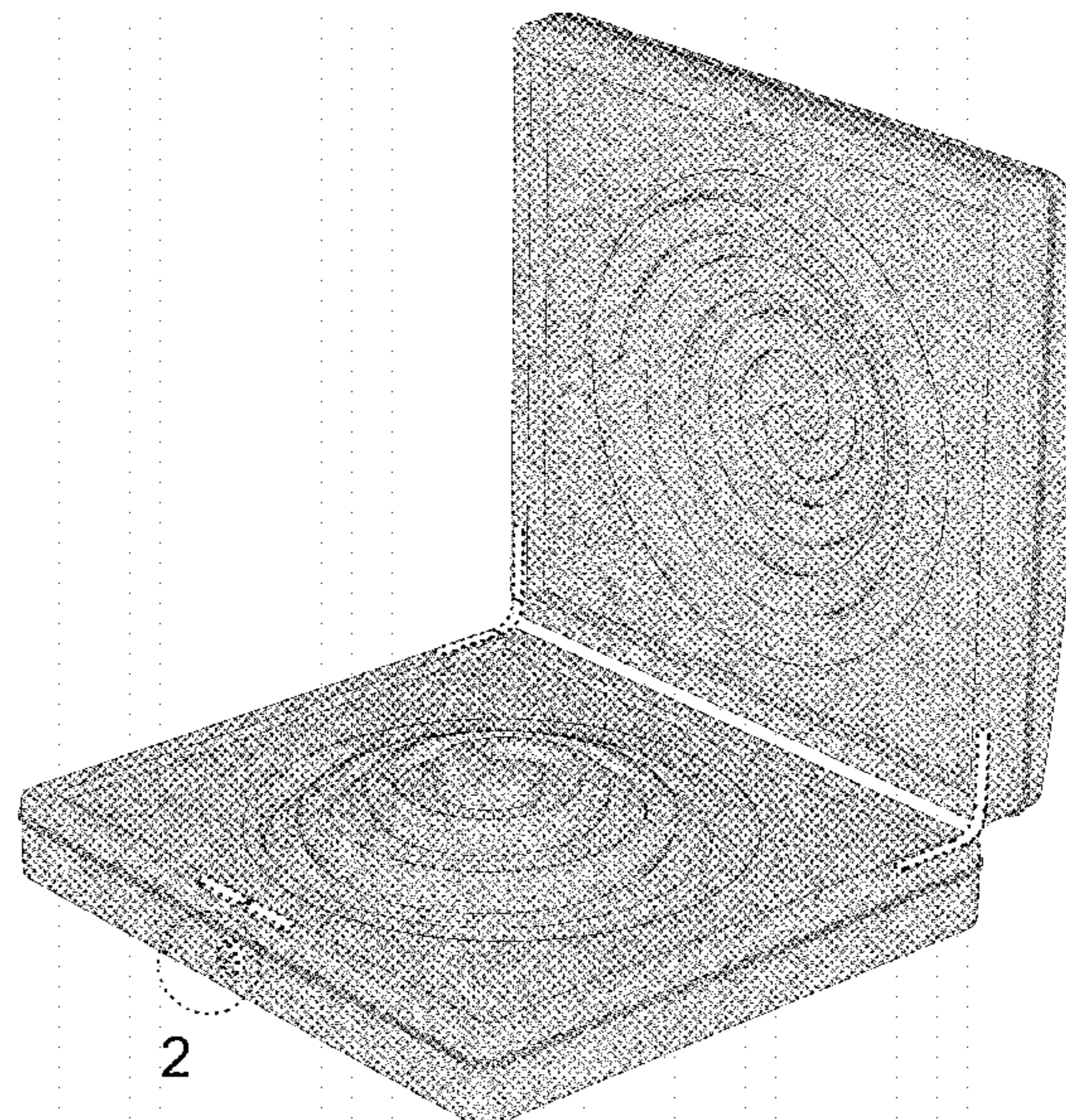
(57) **CLAIM**

The ornamental design for packaging for jewelry, as shown and described.

DESCRIPTION

FIG. 1 is a front perspective view of the new design for packaging for jewelry; and,
FIG. 2 is an enlarged view of the region indicated in FIG. 1. The circular broken line in FIG. 2 illustrates the bounds of the enlargement taken from FIG. 1 and forms no part of the claimed design. The remaining broken lines depict portions of the packaging for jewelry that form no part of the claimed design.

1 Claim, 2 Drawing Sheets



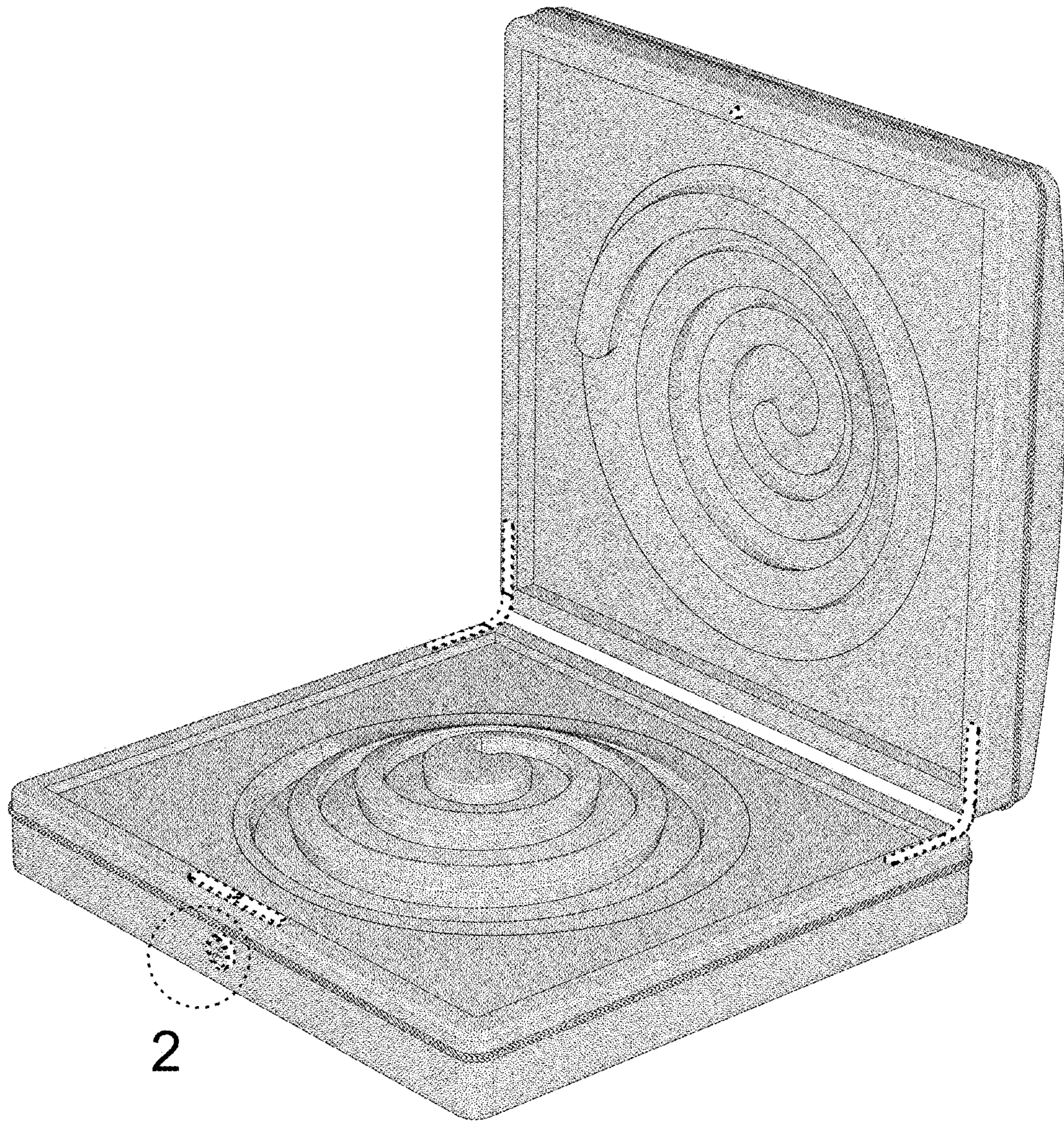


FIG. 1

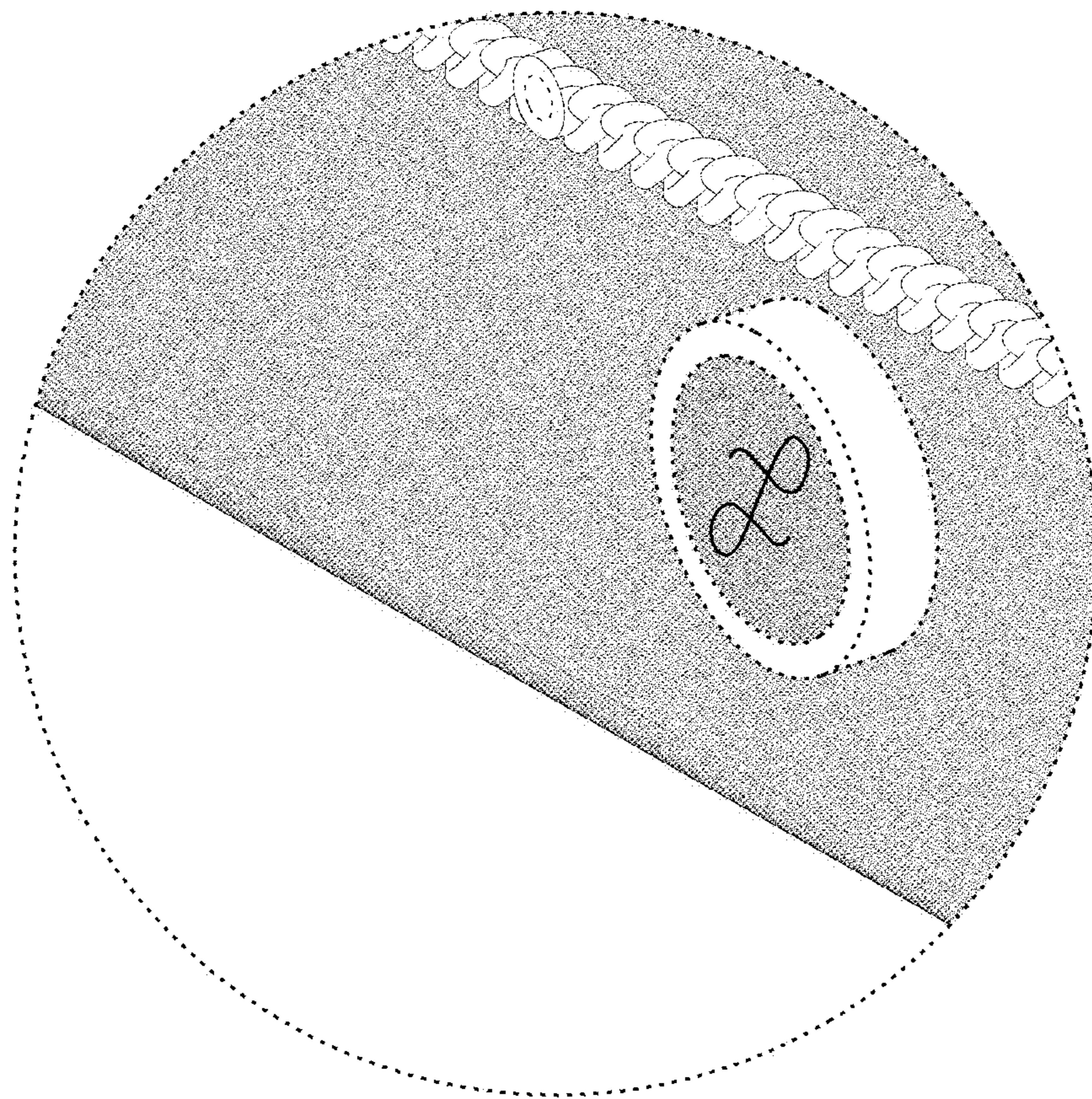


FIG. 2