



US00D968090S

(12) **United States Design Patent** (10) **Patent No.:** **US D968,090 S**  
**Schilling et al.** (45) **Date of Patent:** **\*\* Nov. 1, 2022**

(54) **PACKAGING FOR JEWELRY** 1,666,001 A \* 4/1928 Catala ..... A45C 11/16  
206/754  
(71) Applicant: **LXL Group Inc.**, Grand Cayman (KY) 2,052,432 A 8/1936 Warner  
D151,956 S 12/1948 Baud  
(72) Inventors: **Frank Schilling**, Grand Cayman (KY); 2,673,642 A 3/1954 Smalley  
**Sait Bozkurt**, Istanbul (TR); **Onur** 2,702,117 A 2/1955 Thompson  
**Kirtay**, Istanbul (TR) 2,711,820 A 6/1955 Young  
D257,800 S \* 1/1981 Pedersen ..... D3/275  
4,732,269 A 3/1988 Roy  
(73) Assignee: **LXL Group Inc.**, Grand Cayman (KY) (Continued)

(\*\*) Term: **15 Years**

(21) Appl. No.: **29/652,712**

(22) Filed: **Oct. 29, 2020**

**Related U.S. Application Data**

(62) Division of application No. 29/690,531, filed on May 8, 2019.

(51) **LOC (13) Cl.** ..... **03-01**

(52) **U.S. Cl.**  
USPC ..... **D3/294**; D3/903; D9/420

(58) **Field of Classification Search**  
USPC ..... D3/201, 205, 203.1, 218, 242, 263,  
D3/273-276, 279-282, 284, 292, 294,  
D3/295, 296, 299, 301, 302, 318, 321,  
D3/905, 901, 903, 271.4; D9/423, 420,  
D9/430, 432; D28/76, 77, 78, 81, 83, 91;  
206/6.1  
CPC ..... A45C 5/00; A45C 5/005; A45C 2005/032;  
A45C 2005/035; A45C 2005/307; A45C  
11/00; A45C 13/002; A45C 11/16; A47F  
7/03

See application file for complete search history.

(56) **References Cited**

**U.S. PATENT DOCUMENTS**

D9,689 S 1/1877 Morgan  
D45,251 S 2/1914 Chodorkow

**OTHER PUBLICATIONS**

US trademark application No. 88160099 filed Oct. 18, 2018.

*Primary Examiner* — Mary Shannon Malley  
(74) *Attorney, Agent, or Firm* — Oppedahl Patent Law Firm LLC

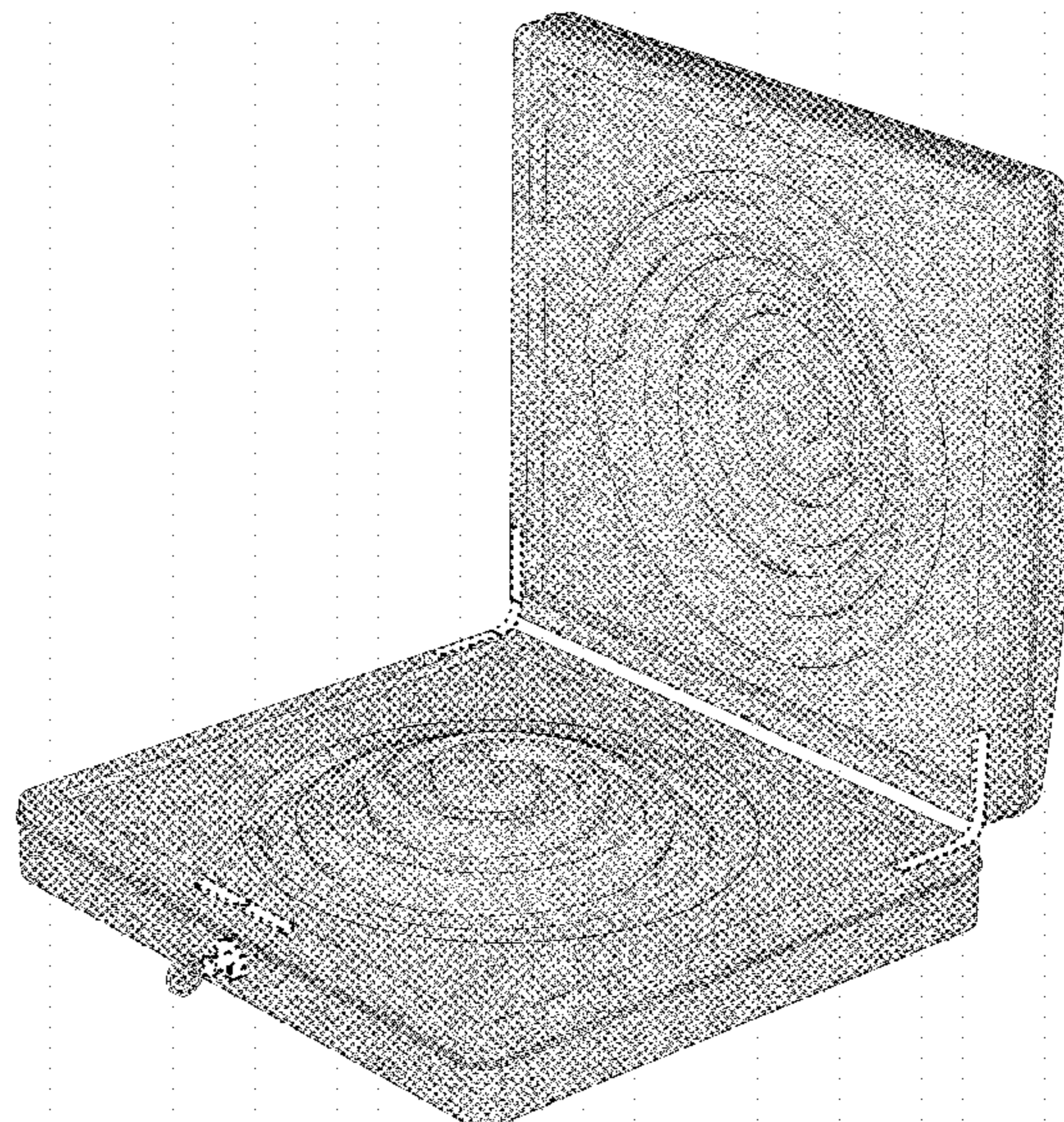
(57) **CLAIM**

The ornamental design for packaging for jewelry, as shown and described.

**DESCRIPTION**

FIG. 1 is a front perspective view of the new design for a packaging for jewelry shown with the key inserted into the lock;  
FIG. 2 is another perspective view thereof, with the key shown removed from the lock;  
FIG. 3 is another front perspective view thereof, identifying the region for the enlarged view in FIG. 4;  
FIG. 4 is an enlarged view of the region indicated in FIG. 3;  
FIG. 5 is another front perspective view thereof, identifying the region for the enlarged view in FIG. 6; and,  
FIG. 6 is an enlarged view of the region indicated in FIG. 5. The circular broken lines in FIGS. 4 and 6 illustrate the bounds of the enlargements taken from FIGS. 3 and 5 and form no part of the claimed design. The remaining broken lines depict portions of the packaging for jewelry that form no part of the claimed design.

**1 Claim, 6 Drawing Sheets**



(56)

**References Cited**

U.S. PATENT DOCUMENTS

D381,198 S	7/1997	Just
D401,146 S	11/1998	Srinual
D408,145 S	4/1999	Au
6,193,066 B1	2/2001	Kilmartin, III
6,776,281 B2	8/2004	Ovadia
D513,568 S	1/2006	Au
D844,326 S	4/2019	Routh
D878,113 S	3/2020	Leonorovitz

\* cited by examiner



FIG. 1

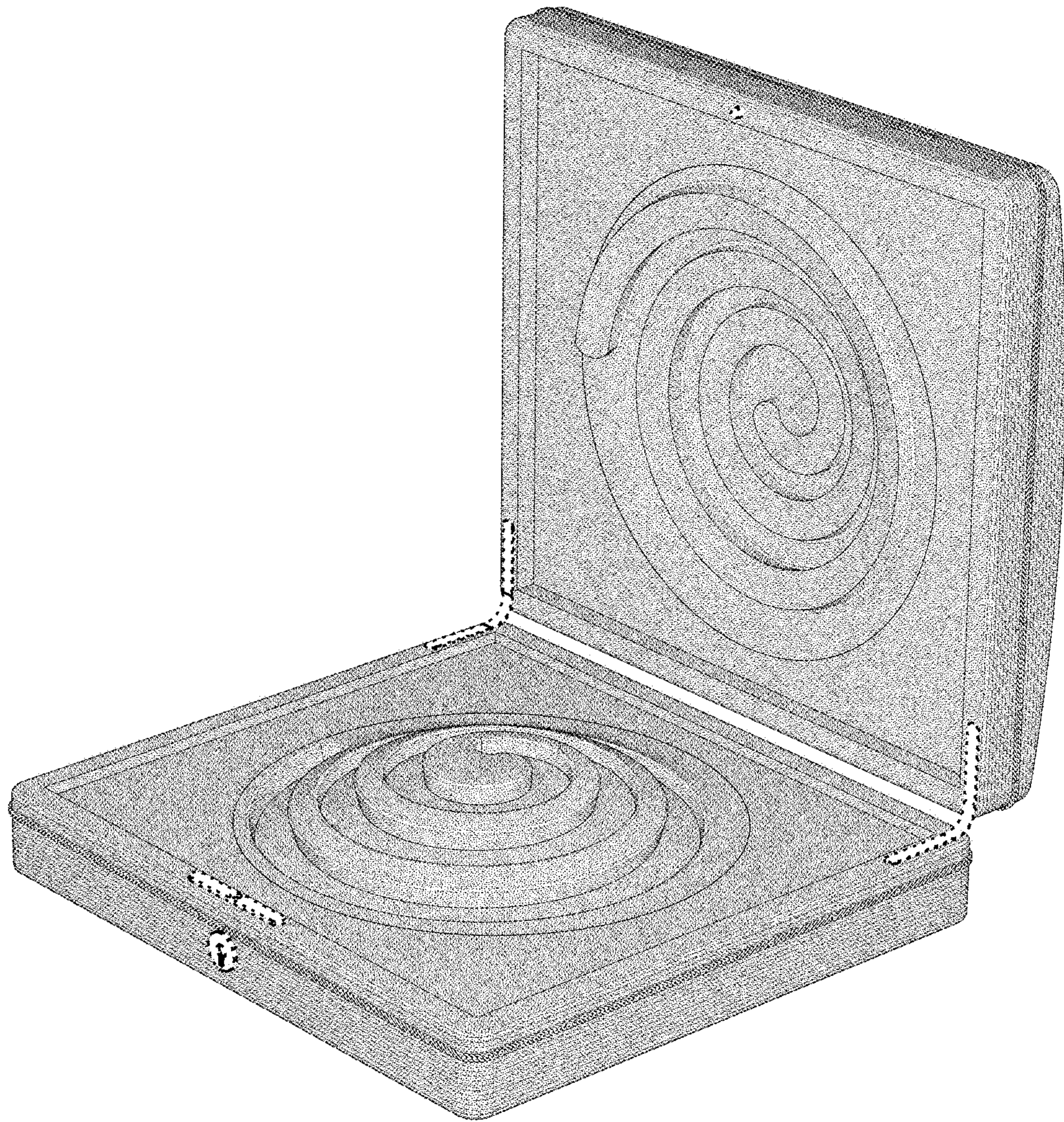


FIG. 2

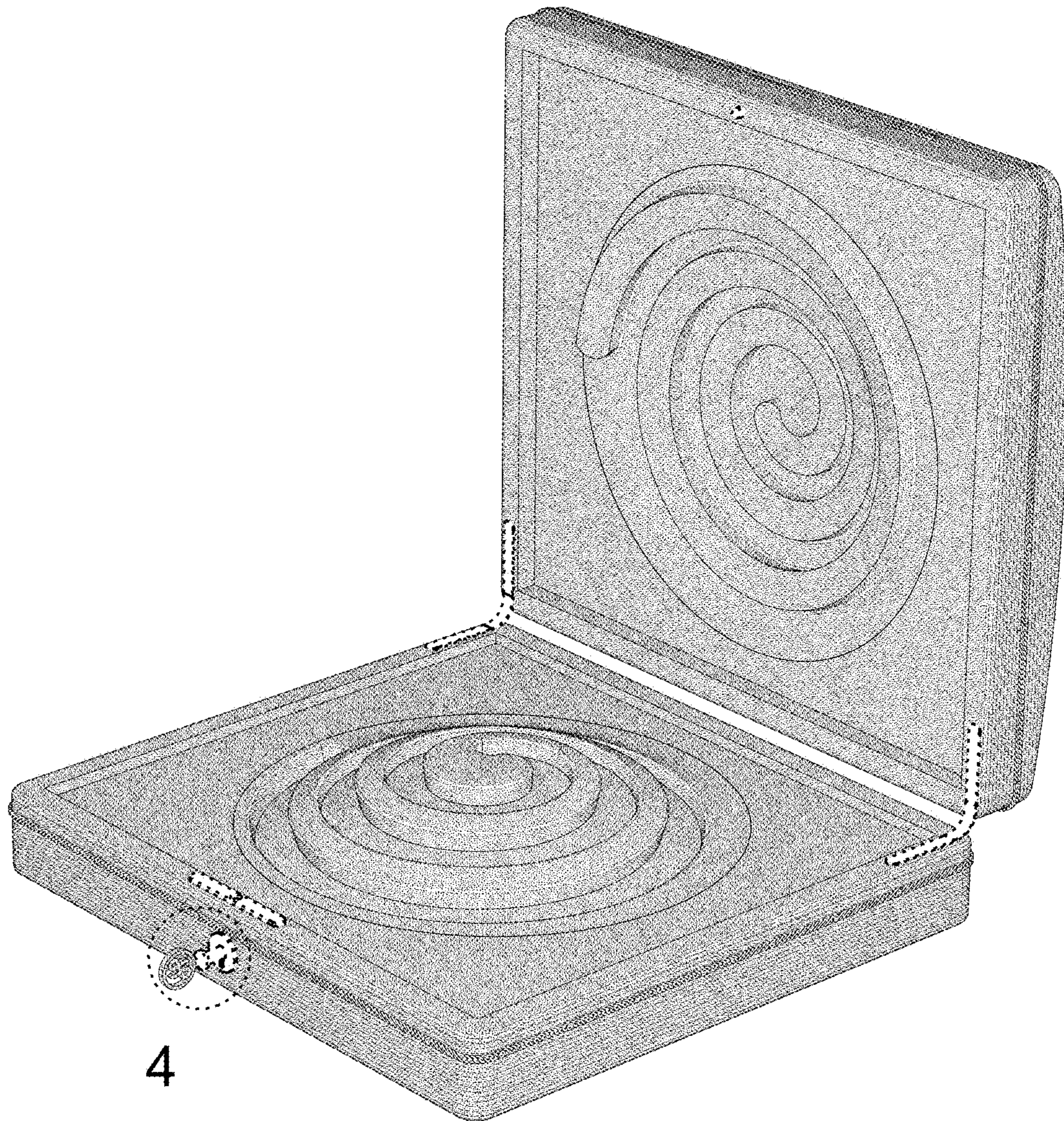


FIG. 3

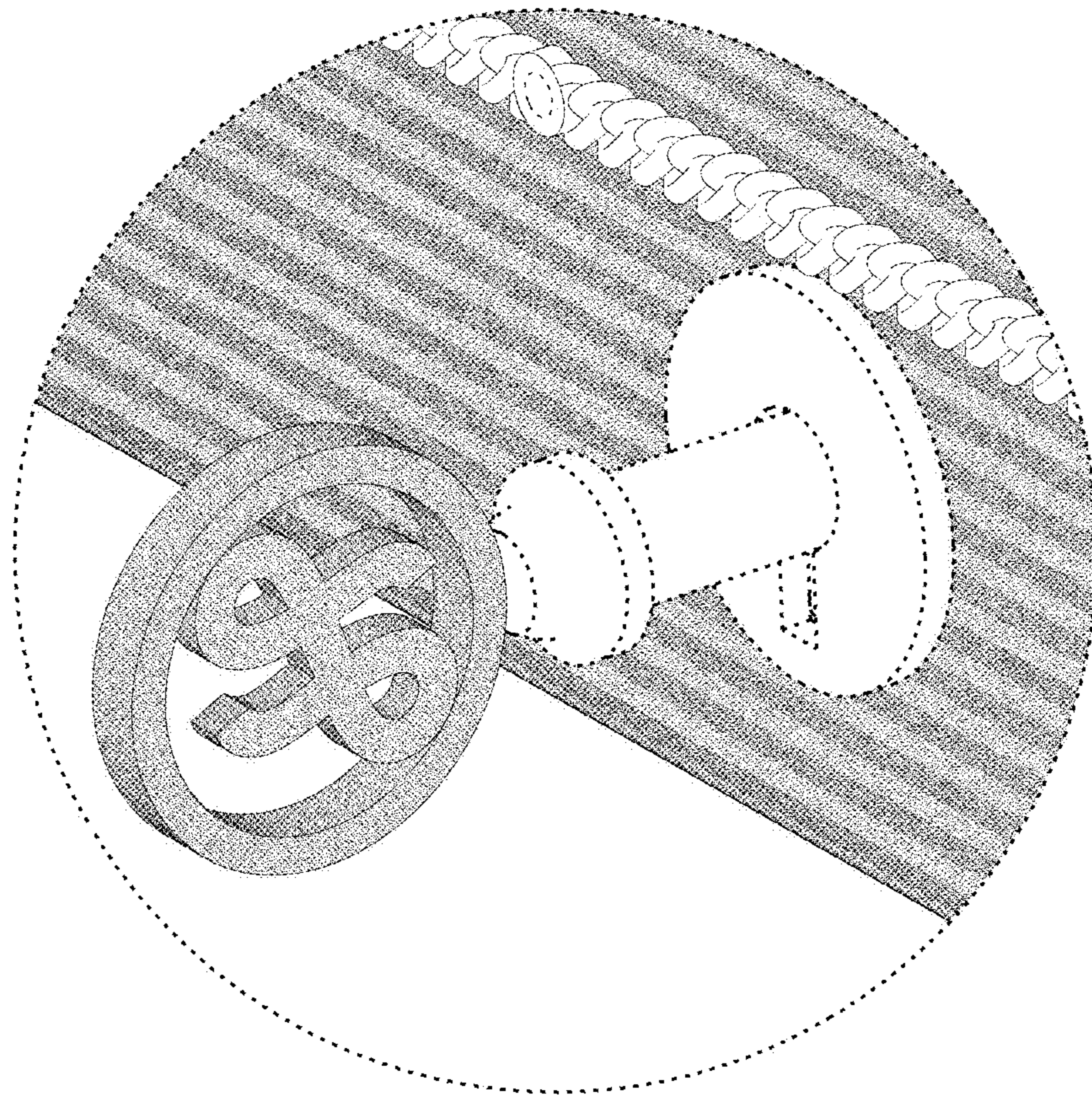


FIG. 4

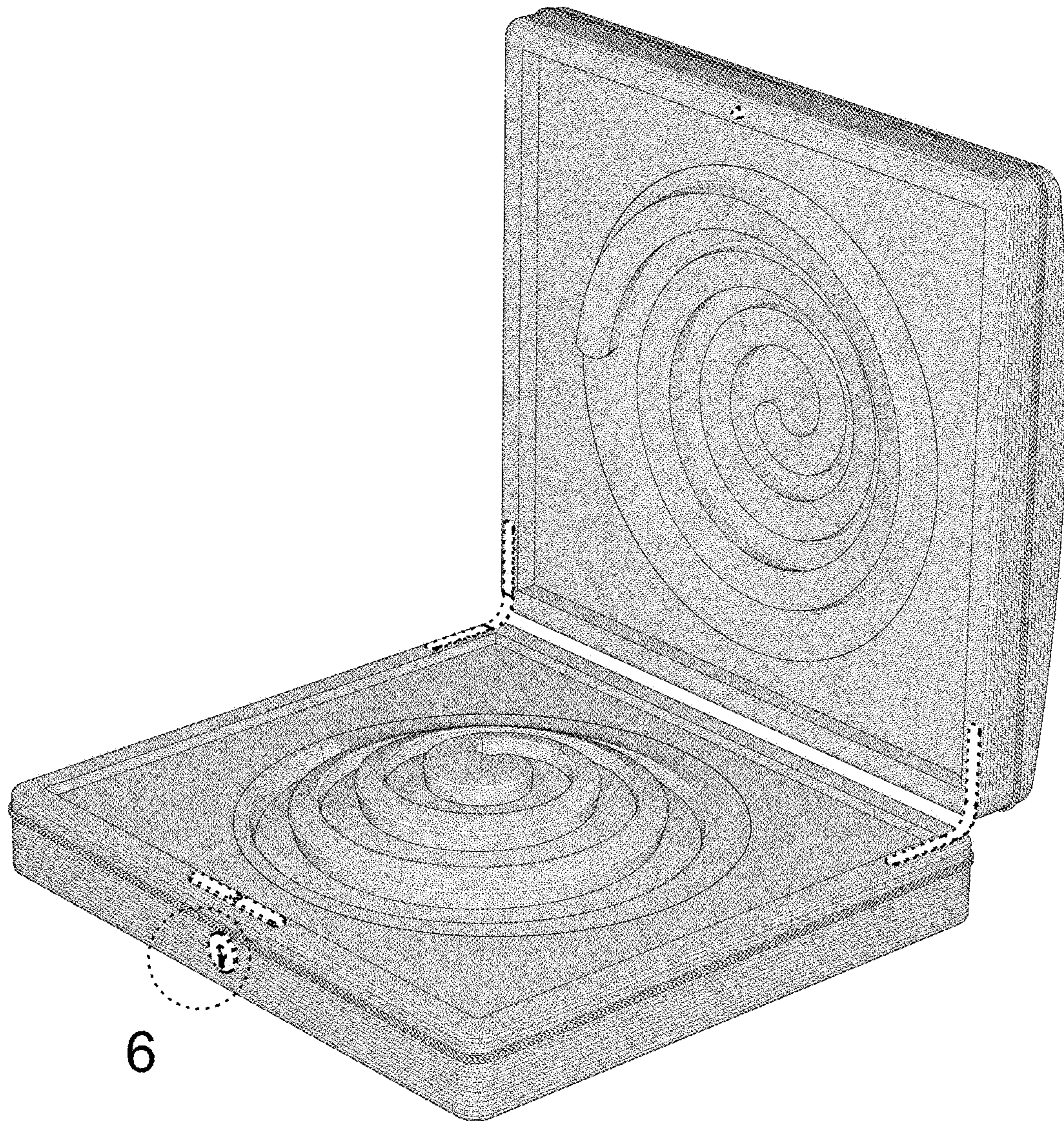


FIG. 5

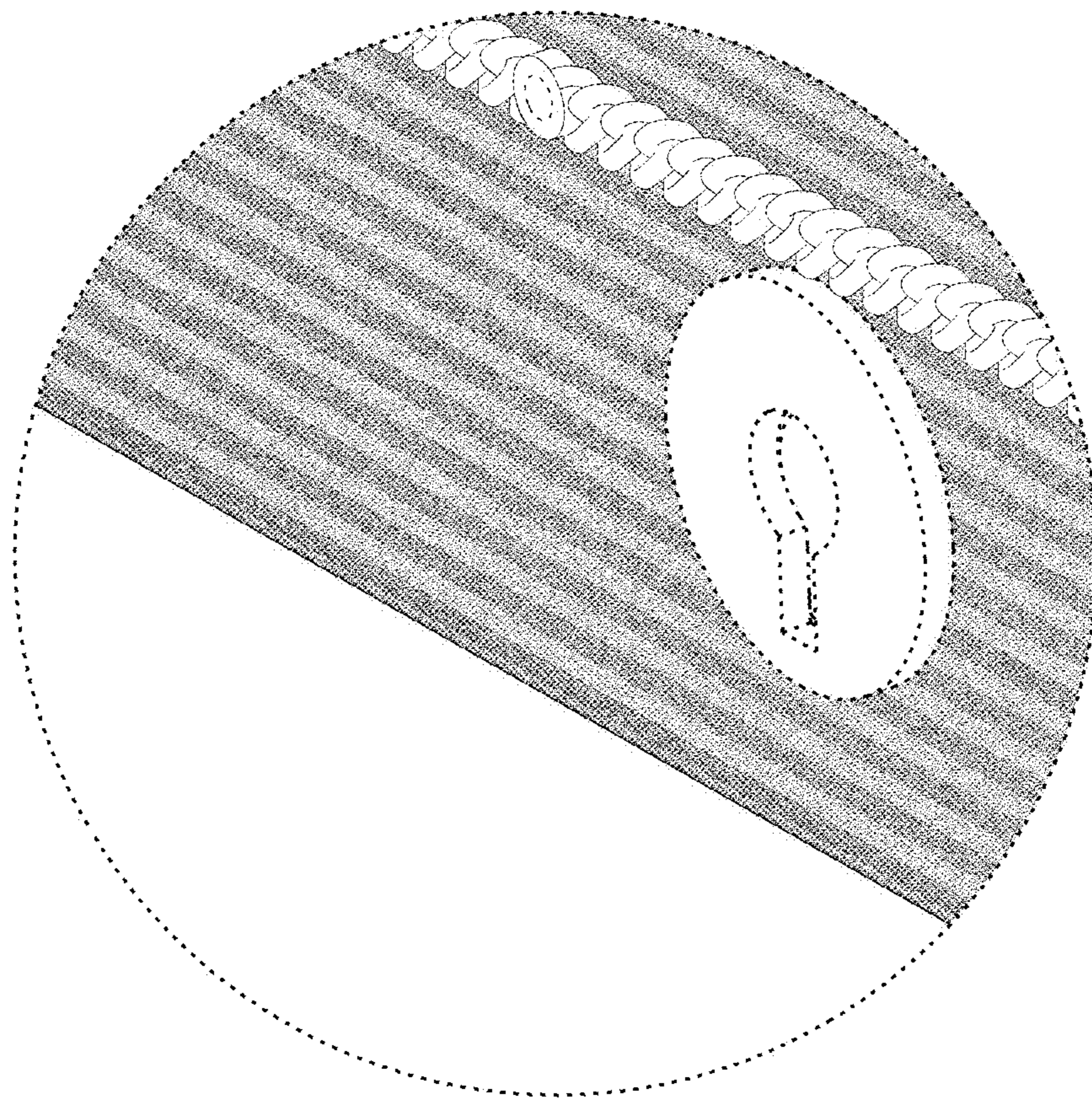


FIG. 6