



US00D968089S

(12) **United States Design Patent**
Zhang

(10) **Patent No.: US D968,089 S**

(45) **Date of Patent: ** Nov. 1, 2022**

(54) **MAKEUP TOOLS BAG**

(71) Applicant: **Shenzhen Wanendou Science and Technology Co., LTD.**, Guangdong (CN)

(72) Inventor: **Pan Zhang**, Shenzhen (CN)

(73) Assignee: **Shenzhen Wanendou Science and Technology Co., LTD.**, Shenzhen (CN)

(**) Term: **15 Years**

(21) Appl. No.: **29/750,397**

(22) Filed: **Sep. 14, 2020**

(51) **LOC (13) Cl.** **03-01**

(52) **U.S. Cl.**
USPC **D3/289**; D3/901; D3/226

(58) **Field of Classification Search**
USPC D3/201, 273, 276, 279, 284, 294, 295,
D3/901, 903, 217, 228, 285, 226;
D6/667
CPC A45C 11/12; A45C 11/10; A45C 11/16
See application file for complete search history.

(56) **References Cited**

U.S. PATENT DOCUMENTS

D409,376 S *	5/1999	Golenz	D3/217
D435,967 S *	1/2001	Tiramani	D3/273
D476,154 S *	6/2003	Lovett	D3/276
D502,811 S *	3/2005	Premper	D3/273
D857,376 S *	8/2019	Thibadeau	D3/217
D859,819 S *	9/2019	Mather	D3/217
D877,494 S *	3/2020	Roure	D3/217
D881,555 S *	4/2020	Iezdin	D3/217

D883,660 S *	5/2020	He	D3/217
D914,360 S *	3/2021	Guyon	D3/217
D922,761 S *	6/2021	Smith	D3/217
D944,005 S *	2/2022	Haskins	D3/217

OTHER PUBLICATIONS

Amazon, "Makeup Brush Case Stand-up . . .", First reviewed Nov. 27, 2020. (<https://www.amazon.com/dp/B08HWPFQ9C/?th=1>) (Year: 2020).*

* cited by examiner

Primary Examiner — April Rivas

(74) *Attorney, Agent, or Firm* — Banner & Witcoff, Ltd.

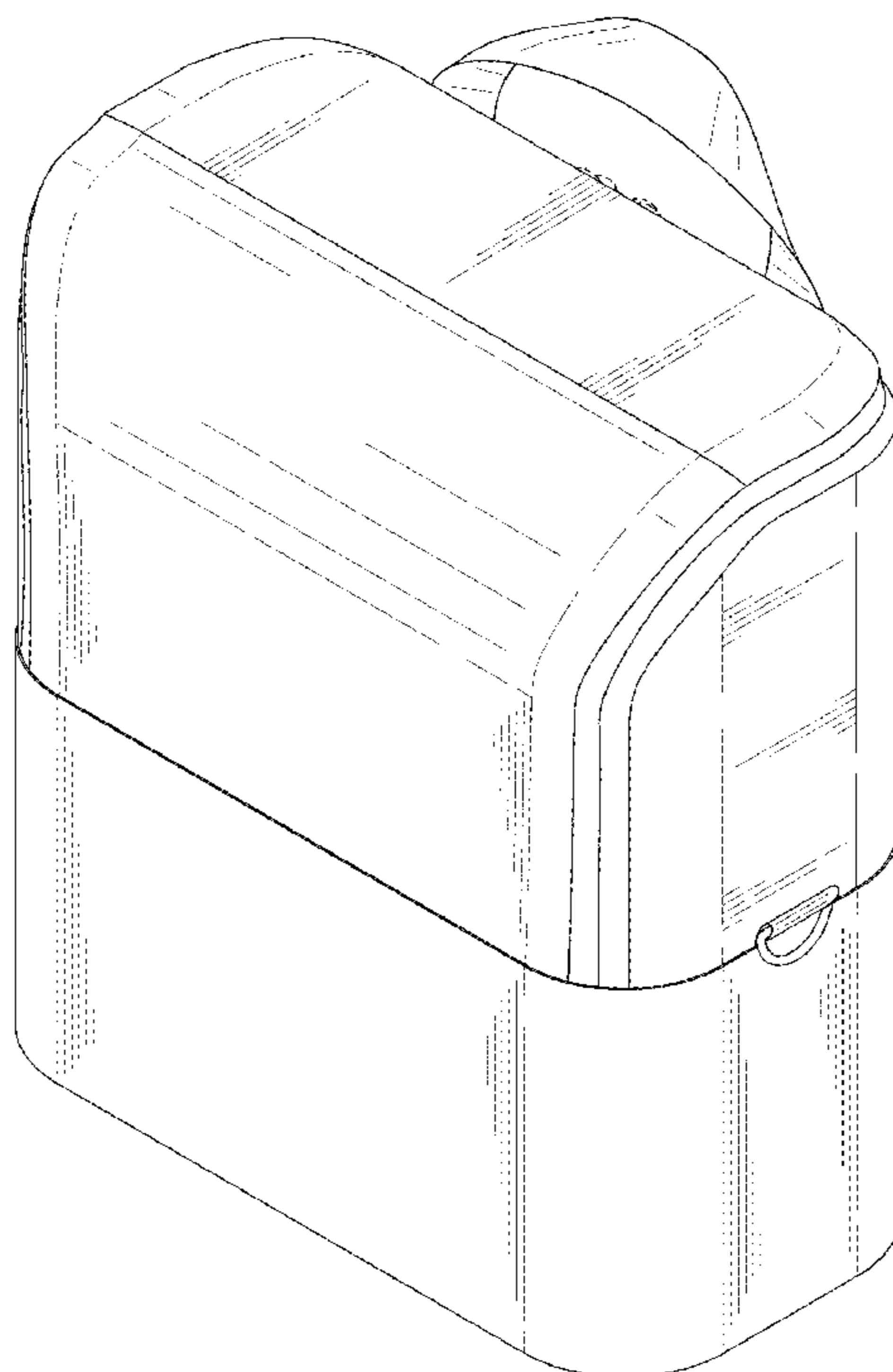
(57) **CLAIM**

The ornamental design for a makeup tools bag, as shown and described.

DESCRIPTION

FIG. 1 is a side perspective view of the new design of an makeup tools bag according to an embodiment;
FIG. 2 is another side perspective view thereof;
FIG. 3 is a front elevation view thereof;
FIG. 4 is a rear elevation view thereof;
FIG. 5 is a left side view thereof;
FIG. 6 is a right side view thereof;
FIG. 7 is a top view thereof;
FIG. 8 is a bottom view thereof; and,
FIG. 9 is a side perspective view thereof, illustrating that the makeup tools bag is in an opened state.
The broken (dashed) lines show portions of the makeup tools bag that form no part of the claimed design.

1 Claim, 9 Drawing Sheets



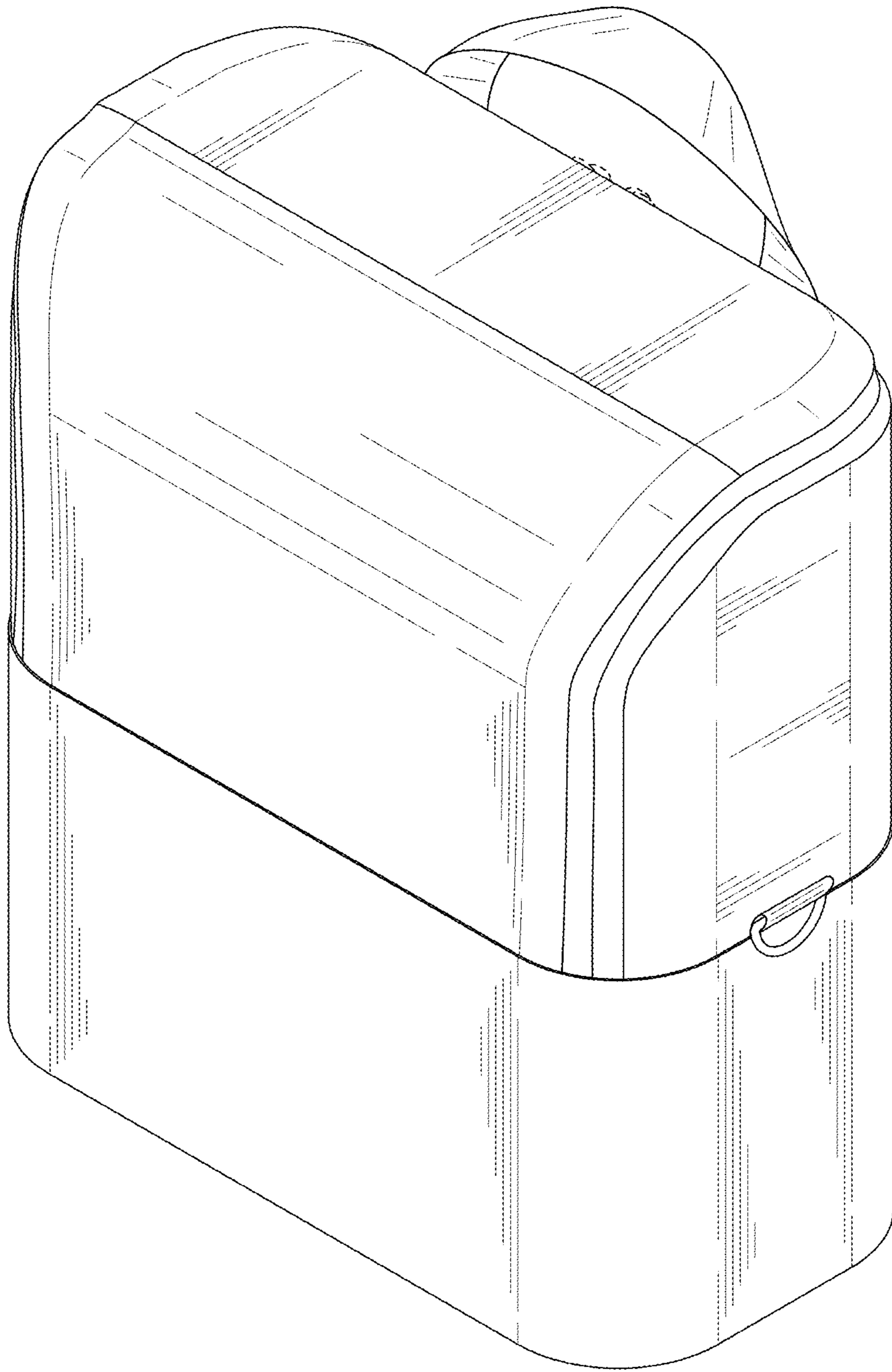


FIG. 1

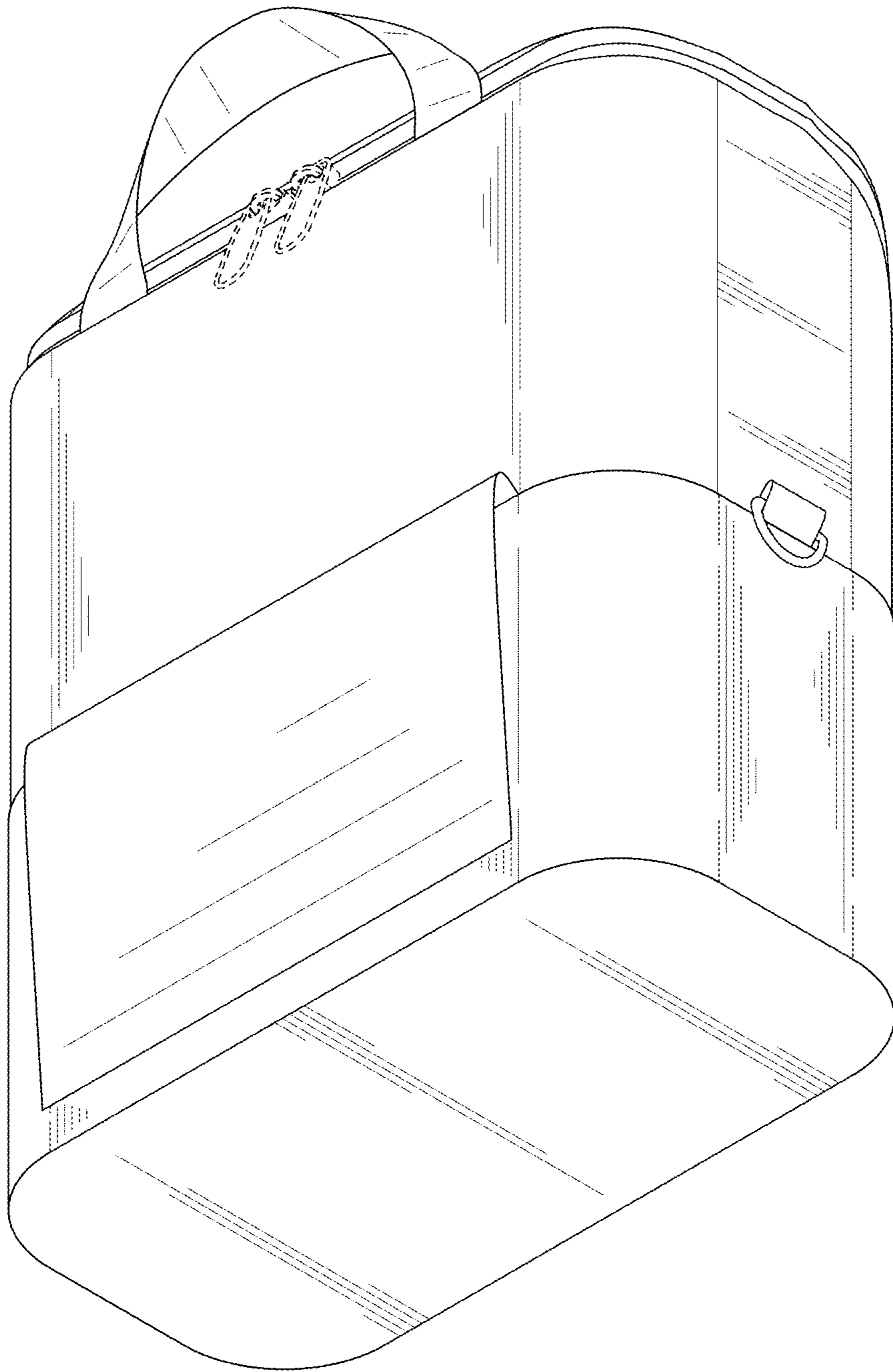


FIG. 2

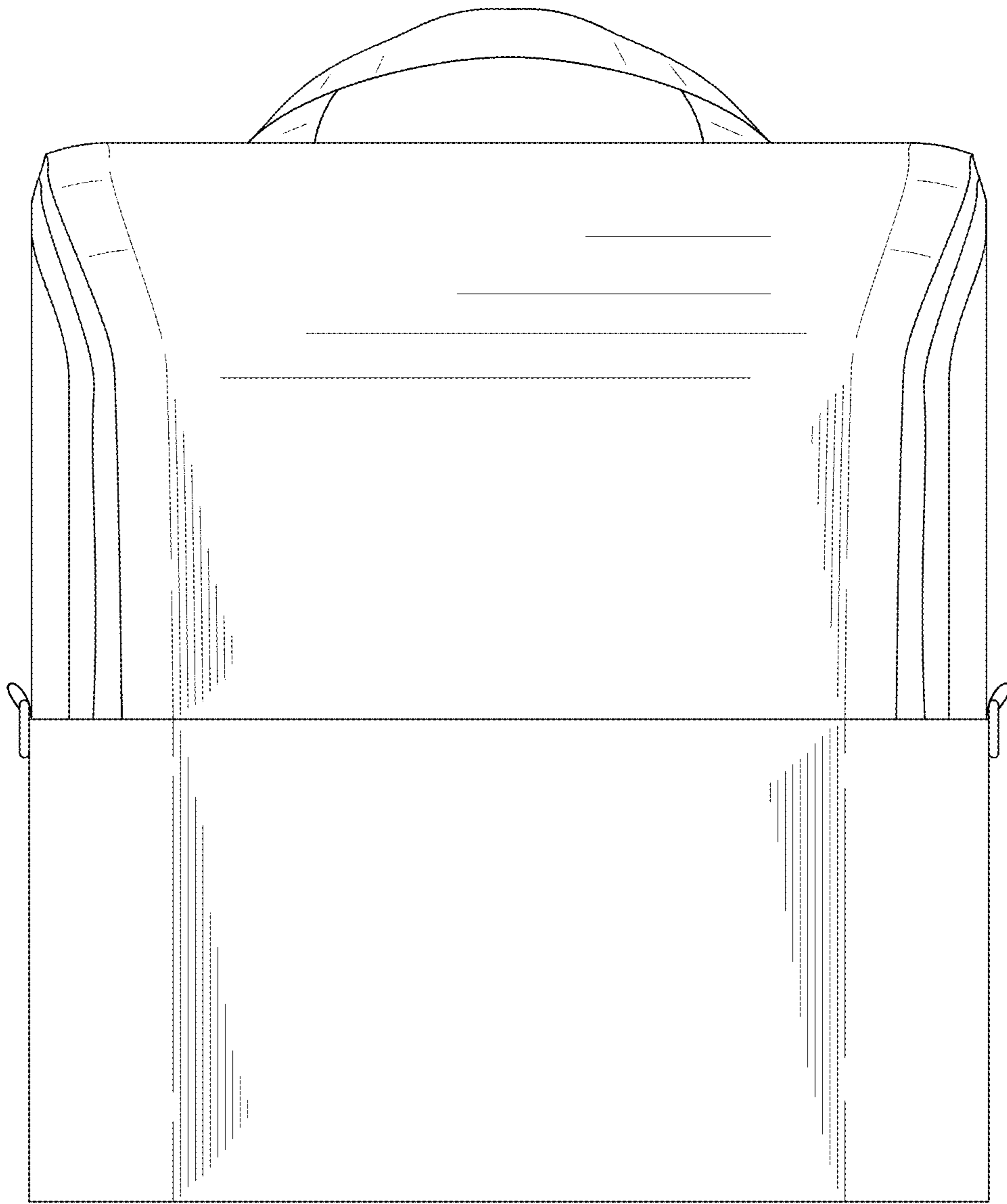


FIG. 3

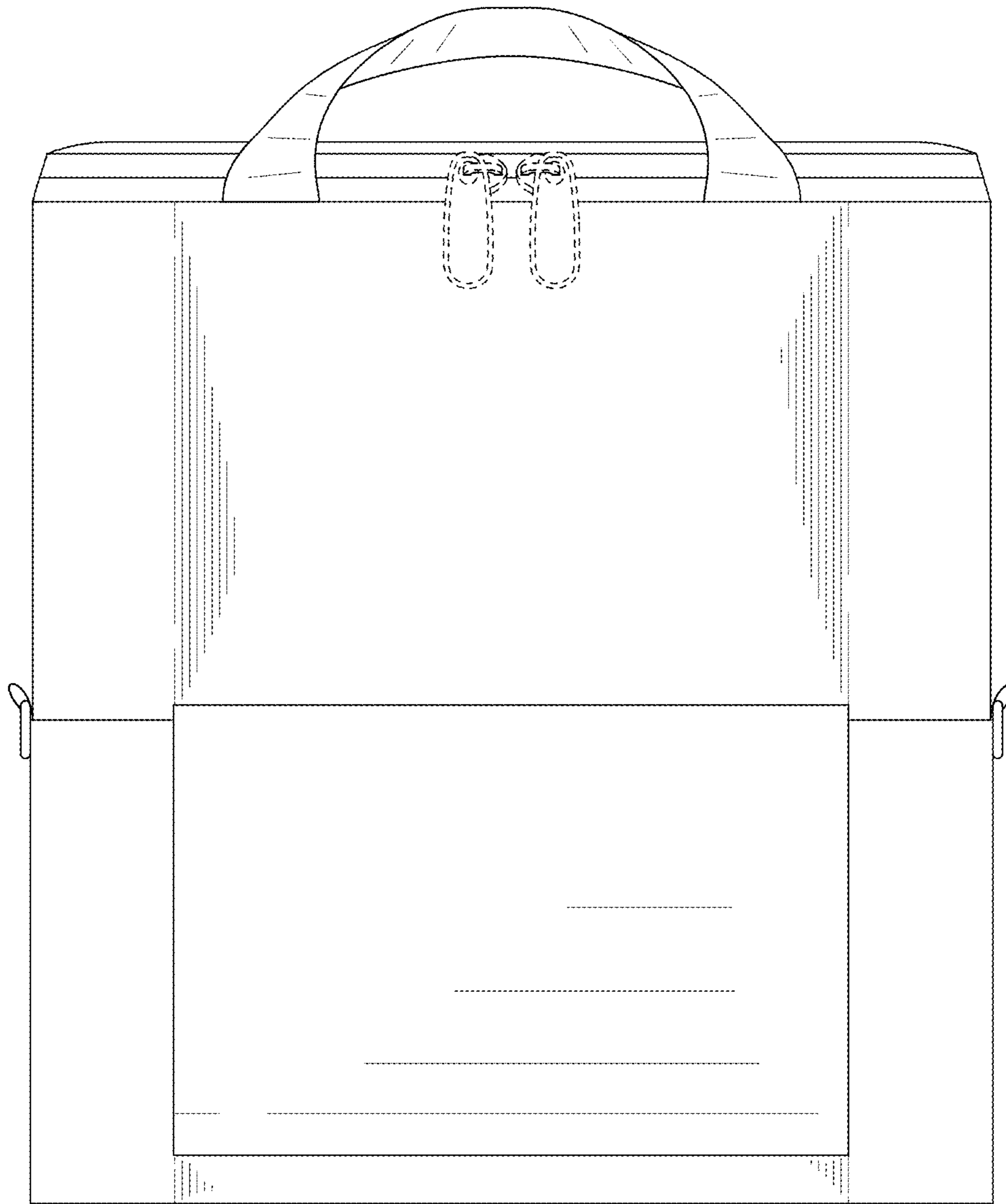


FIG. 4

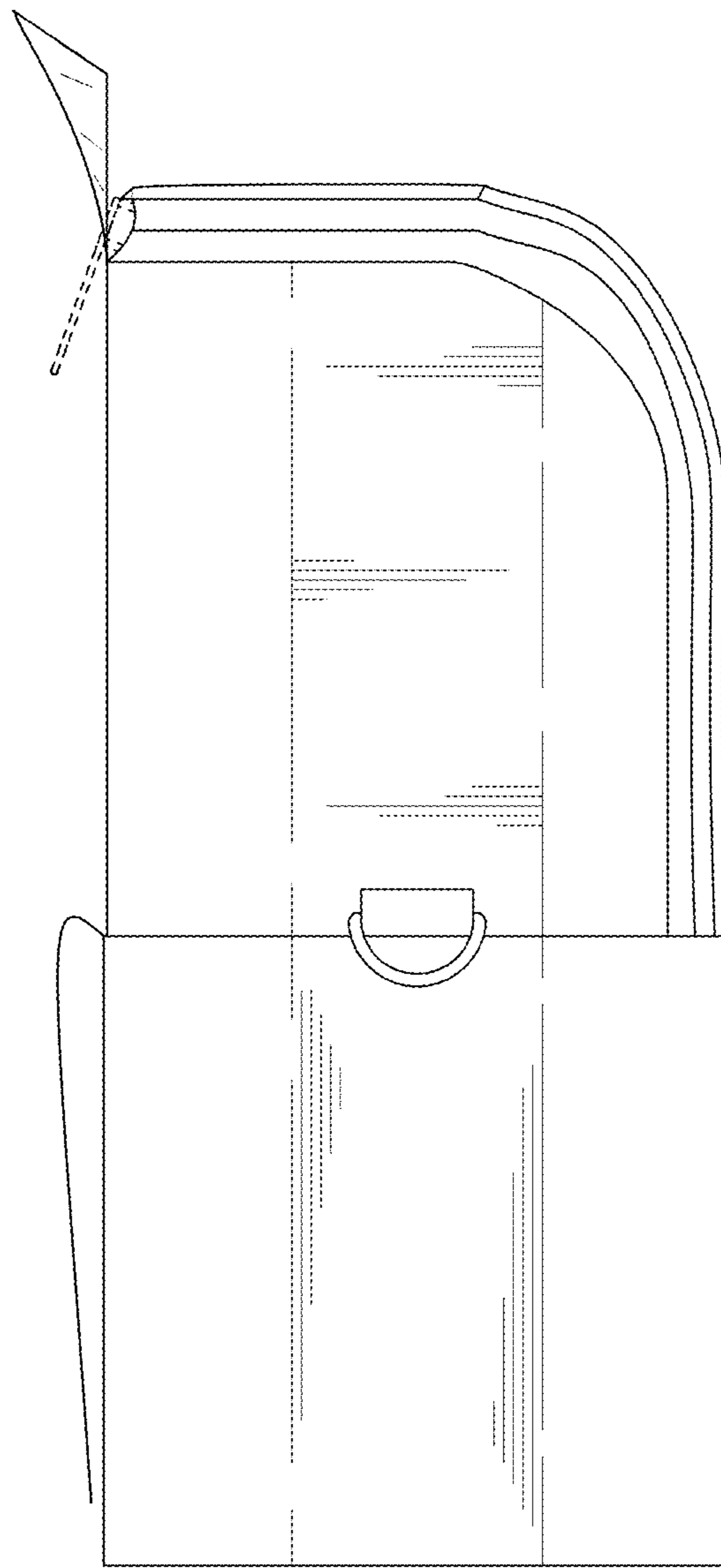


FIG. 5

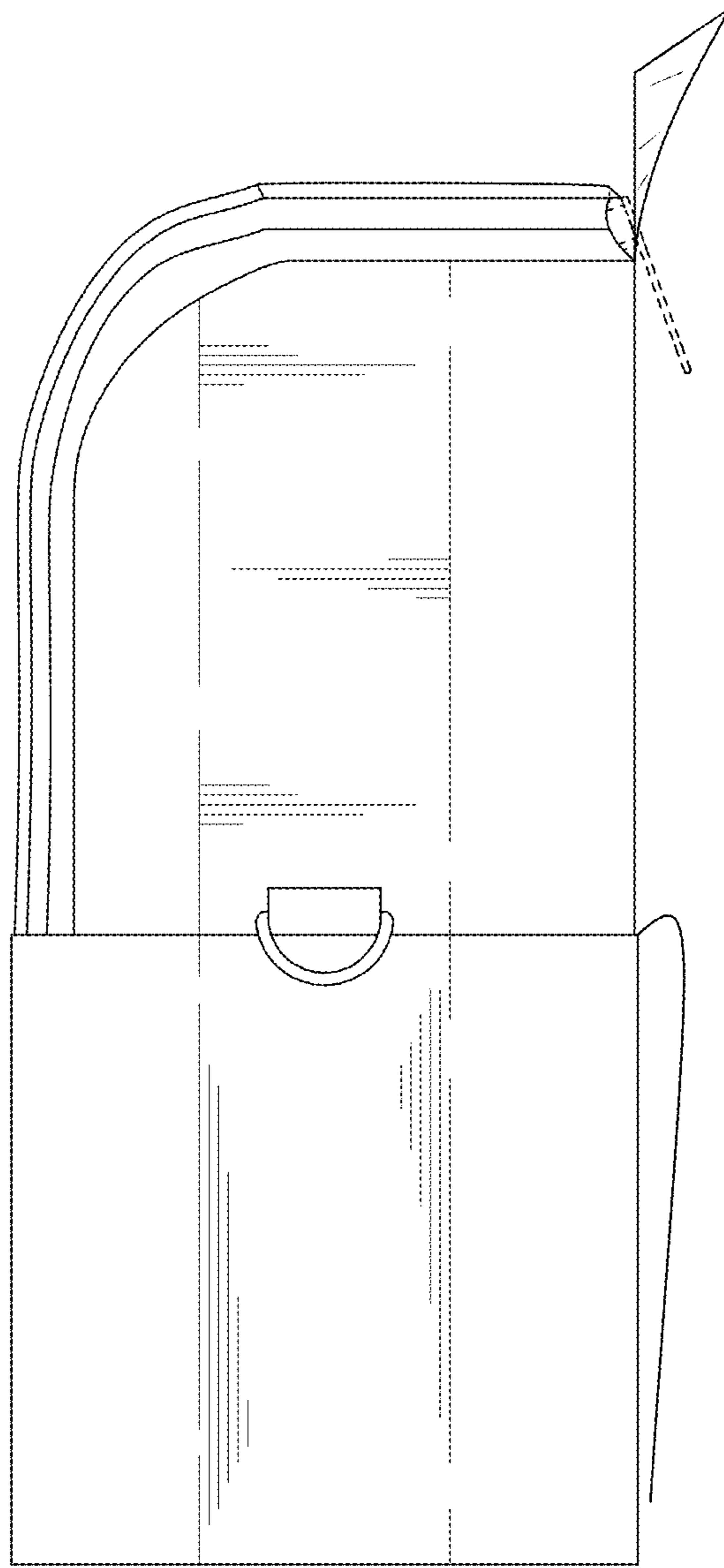


FIG. 6

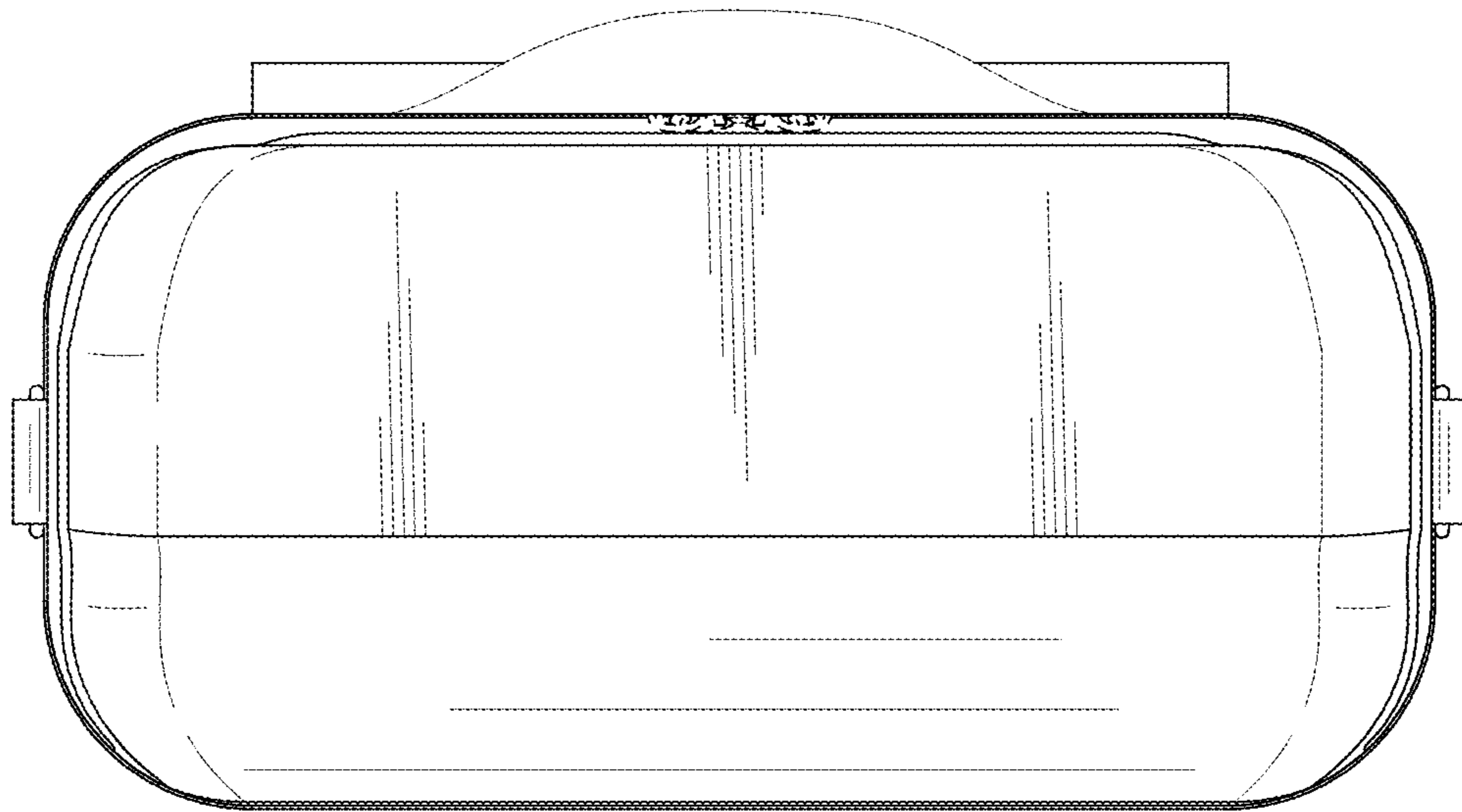


FIG. 7

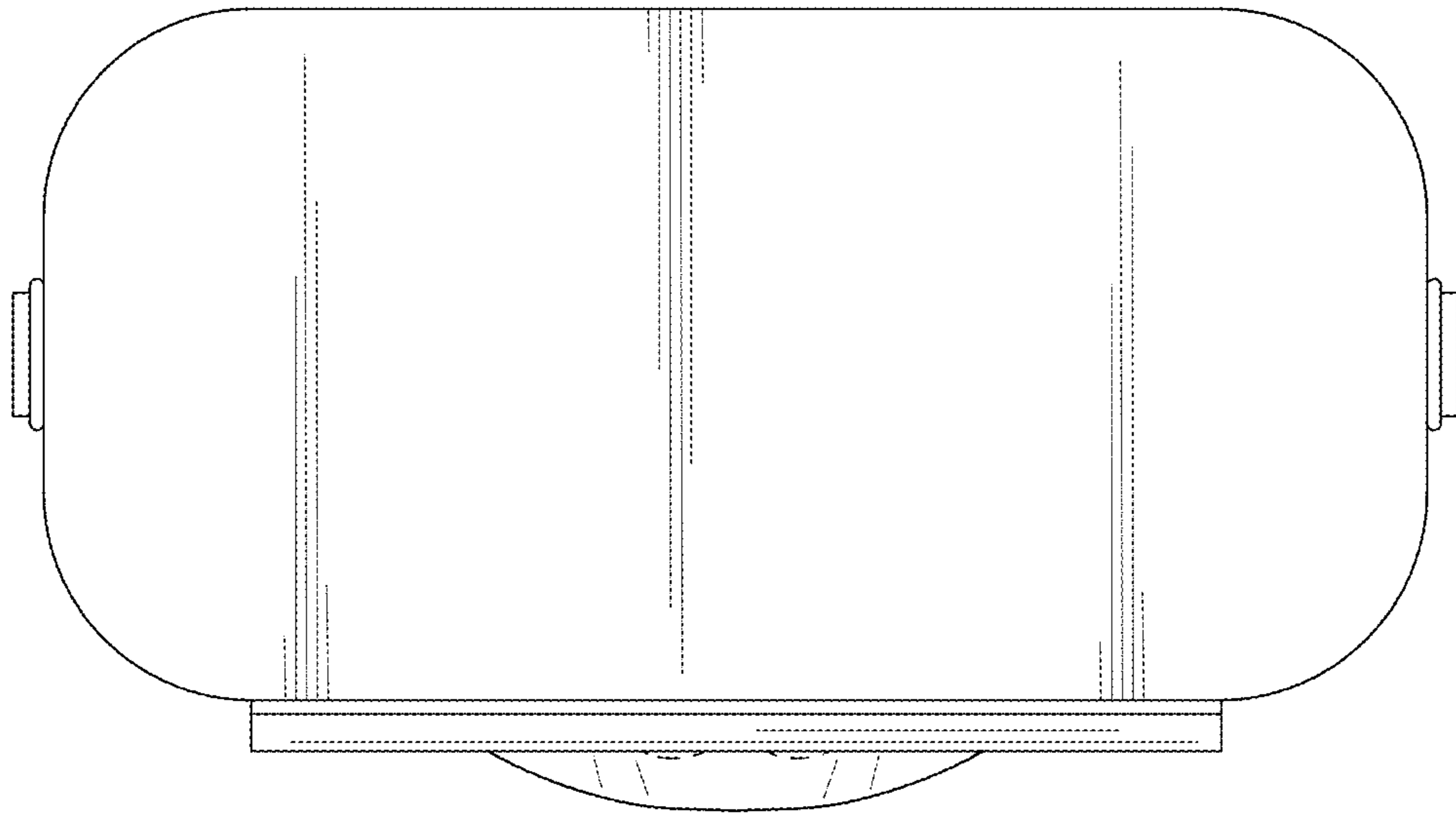


FIG. 8

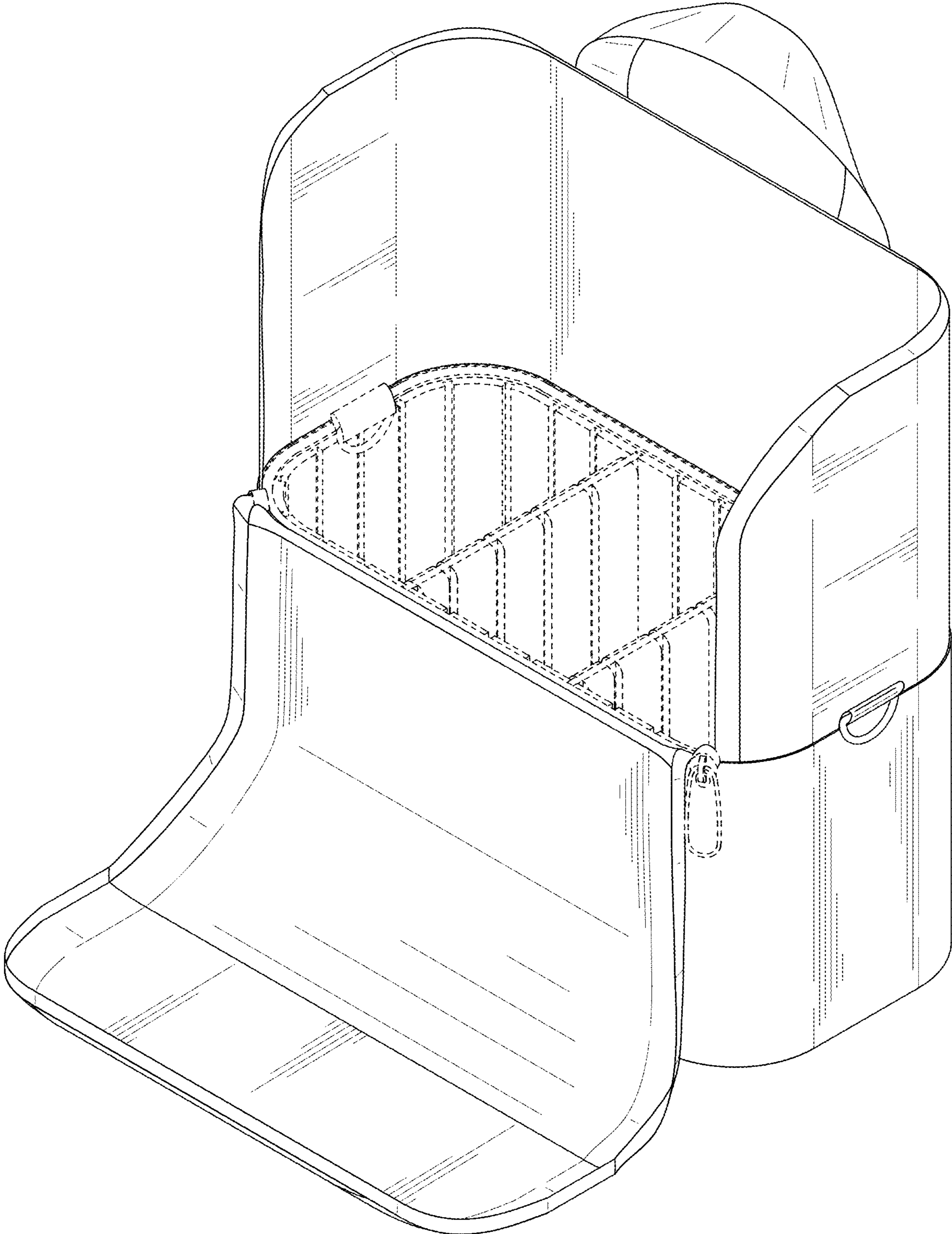


FIG. 9