



US00D968083S

(12) **United States Design Patent** (10) **Patent No.:** **US D968,083 S**  
**Hsu** (45) **Date of Patent:** **\*\* Nov. 1, 2022**

(54) **CONTAINER**

(71) Applicant: **L&F PLASTICS, CO., LTD.**, Miaoli County (TW)

(72) Inventor: **Mu-Chuan Hsu**, Miaoli County (TW)

(73) Assignee: **L&F PLASTICS, CO., LTD.**, Tainan (TW)

(\*\*) Term: **15 Years**

(21) Appl. No.: **29/756,293**

(22) Filed: **Oct. 27, 2020**

**Related U.S. Application Data**

(62) Division of application No. 29/683,547, filed on Mar. 14, 2019, now Pat. No. Des. 919,972.

(51) **LOC (13) Cl.** ..... **03-01**

(52) **U.S. Cl.**  
USPC ..... **D3/276; D3/291**

(58) **Field of Classification Search**  
USPC ..... D3/905, 273, 276, 280, 282, 284, 294,  
D3/298, 302, 304, 279

CPC ..... B25H 3/00; B25H 3/003; B25H 3/006;  
B25H 3/02; B25H 3/06; B65D 21/0222  
See application file for complete search history.

(56) **References Cited**

**U.S. PATENT DOCUMENTS**

D381,513 S 7/1997 Brauner  
D382,112 S 8/1997 Egan  
D424,299 S 5/2000 Varfeldt  
D505,262 S 5/2005 Chinni  
D511,624 S 11/2005 Rosine et al.  
7,104,414 B2 9/2006 Apps et al.  
D600,019 S 9/2009 Cope  
H2235 H 4/2010 Mancunian  
D641,160 S \* 7/2011 Minneman ..... D3/274  
D643,629 S 8/2011 Sofy et al.

D645,248 S \* 9/2011 Osiecki ..... D3/276  
D661,901 S 6/2012 Orgeldinger  
D668,048 S \* 10/2012 Vilkomirski ..... D3/281  
D712,141 S \* 9/2014 Minneman ..... D3/262  
D741,597 S \* 10/2015 Minneman ..... D3/262  
D758,726 S \* 6/2016 Minneman ..... D3/262  
D788,465 S \* 6/2017 Spadotto ..... D3/302  
D801,686 S 11/2017 Park  
D826,557 S 8/2018 Han  
D859,836 S 9/2019 Ritzberger

(Continued)

**OTHER PUBLICATIONS**

Shopee.tw, “[Best portable storage box 10L/20L/35L/55L (with wheels)]”, First reviewed Jun. 26, 2019 [Link shortened due to incompatibility of Chinese characters and form, please see document for full link](https://bit.ly/3pDwxiw) (Year: 2019).\*

(Continued)

*Primary Examiner* — April Rivas

(74) *Attorney, Agent, or Firm* — Millen, White, Zelano & Branigan, P.C.; William Nixon; Wan-Ching Montfort

(57) **CLAIM**

The ornamental design for a container, as shown and described.

**DESCRIPTION**

FIG. 1 is a front perspective view of a container showing my new design;

FIG. 2 is a front view thereof and the rear view thereof being a same image;

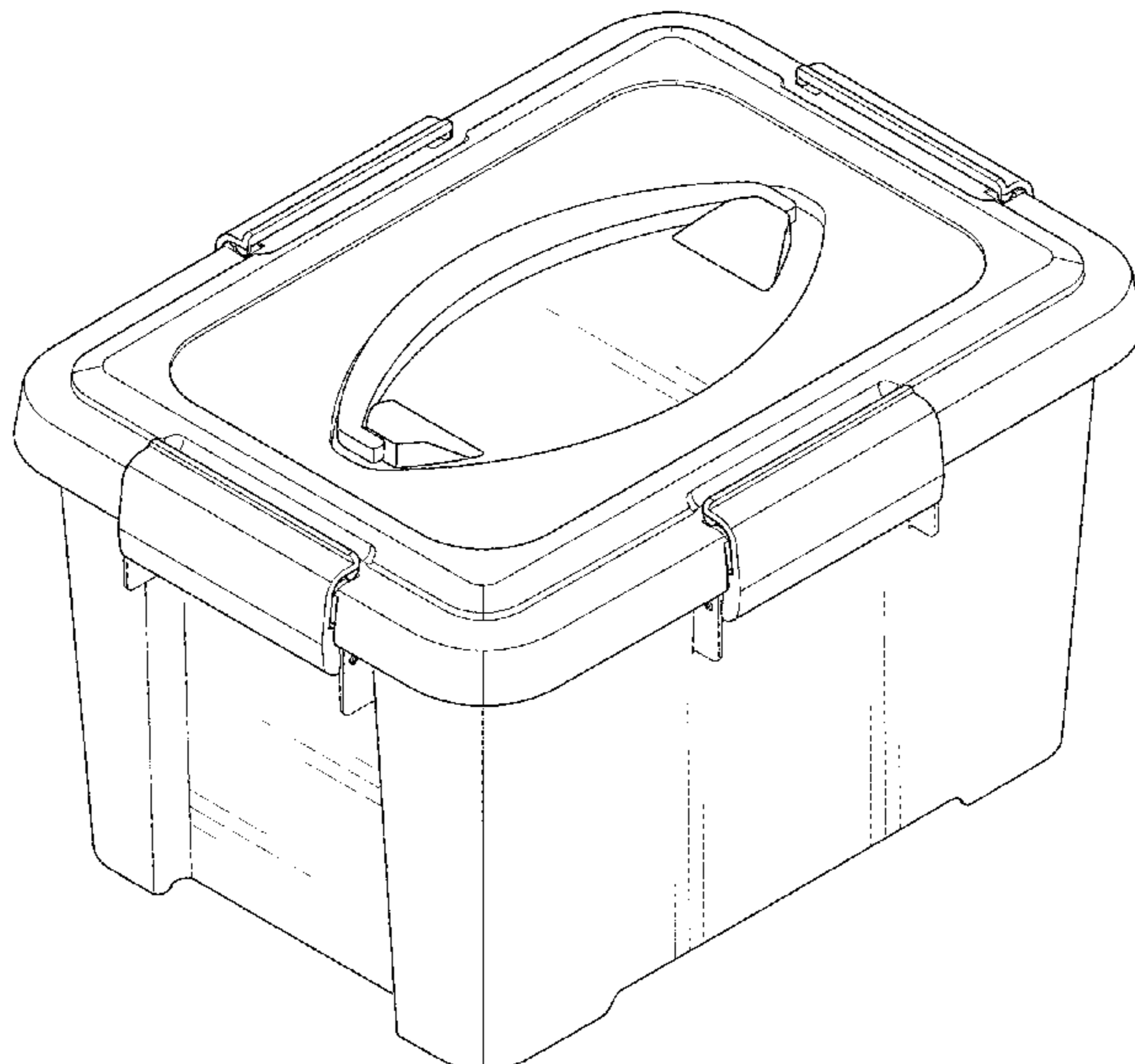
FIG. 3 is a right side view thereof and the left side view thereof being a same image; and,

FIG. 4 is a top view thereof.

The undisclosed bottom view is unornamented and forms no part of the claimed design.

The broken lines in the figures show portions of the container that form no part of the claimed design.

**1 Claim, 4 Drawing Sheets**



(56)

**References Cited**

U.S. PATENT DOCUMENTS

D879,471 S     3/2020 Nelson  
D927,853 S \*   8/2021 Hsu ..... D3/302  
11,117,714 B2   9/2021 Green  
2006/0011627 A1  1/2006 Overholt et al.  
2015/0131039 A1  5/2015 Wang et al.

OTHER PUBLICATIONS

Amazon, "QTJH Collapsible Storage Bin/Containe . . . ", First on sale Jul. 17, 2020. (<https://www.amazon.com/dp/B08D6D2KJ9/>) (Year: 2020).

Keyway, "Hynix 800 folding basket", Accessed Jan. 21, 2021. ([http://www.keyway.com.tw/content/product/pro\\_cont.aspx?SiteID=2&MSid=701725301405576515&SID=1035401050103605676](http://www.keyway.com.tw/content/product/pro_cont.aspx?SiteID=2&MSid=701725301405576515&SID=1035401050103605676)) (Year: 2021).

Form-892 in corresponding U.S. Appl. No. 29/683,547 (1 page).  
Shopee.tw, "[Hynix pulley storage box] 60/90L optional storage box", First reviewed Aug. 3, 2019 [Link shortened due to incompatibility with Chinese characters, please see printed document for original] (<https://bit.ly/3qA1pj6>) (Year: 2019).

Keyway, "Hynix pulley storage box", Accessed Dec. 29, 2021. ([https://keyway.com.tw/content/product/pro\\_cont.aspx?SiteID=1&MSid=712144026177531577&SID=1001044701626633652](https://keyway.com.tw/content/product/pro_cont.aspx?SiteID=1&MSid=712144026177531577&SID=1001044701626633652)) (Year:2021).

PTO form 892 (Notice of References cited) dated Jan. 5, 2022 in corresponding U.S. Appl. No. 29/756,289. (1 page).

\* cited by examiner

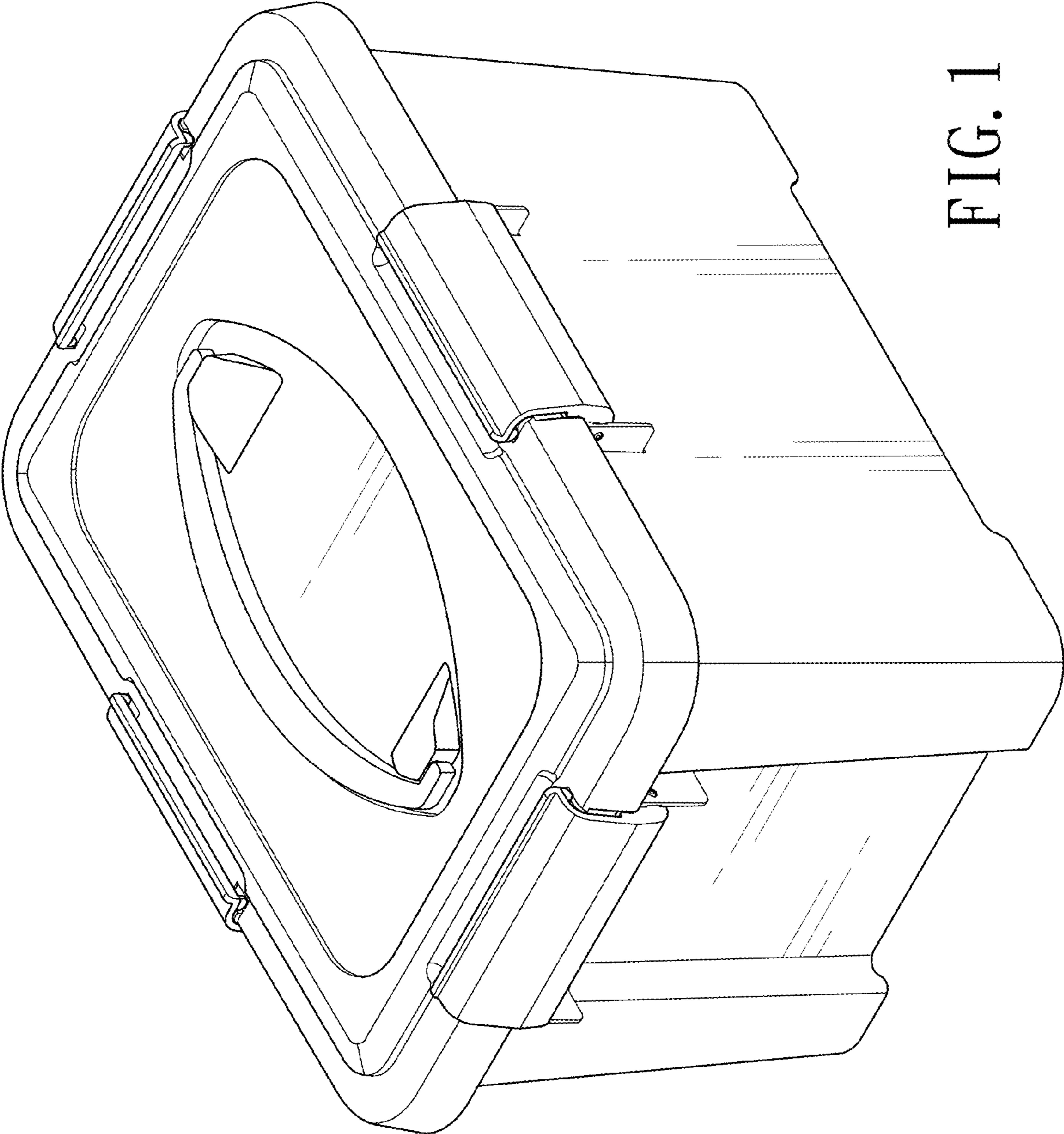


FIG. 1

FIG. 2

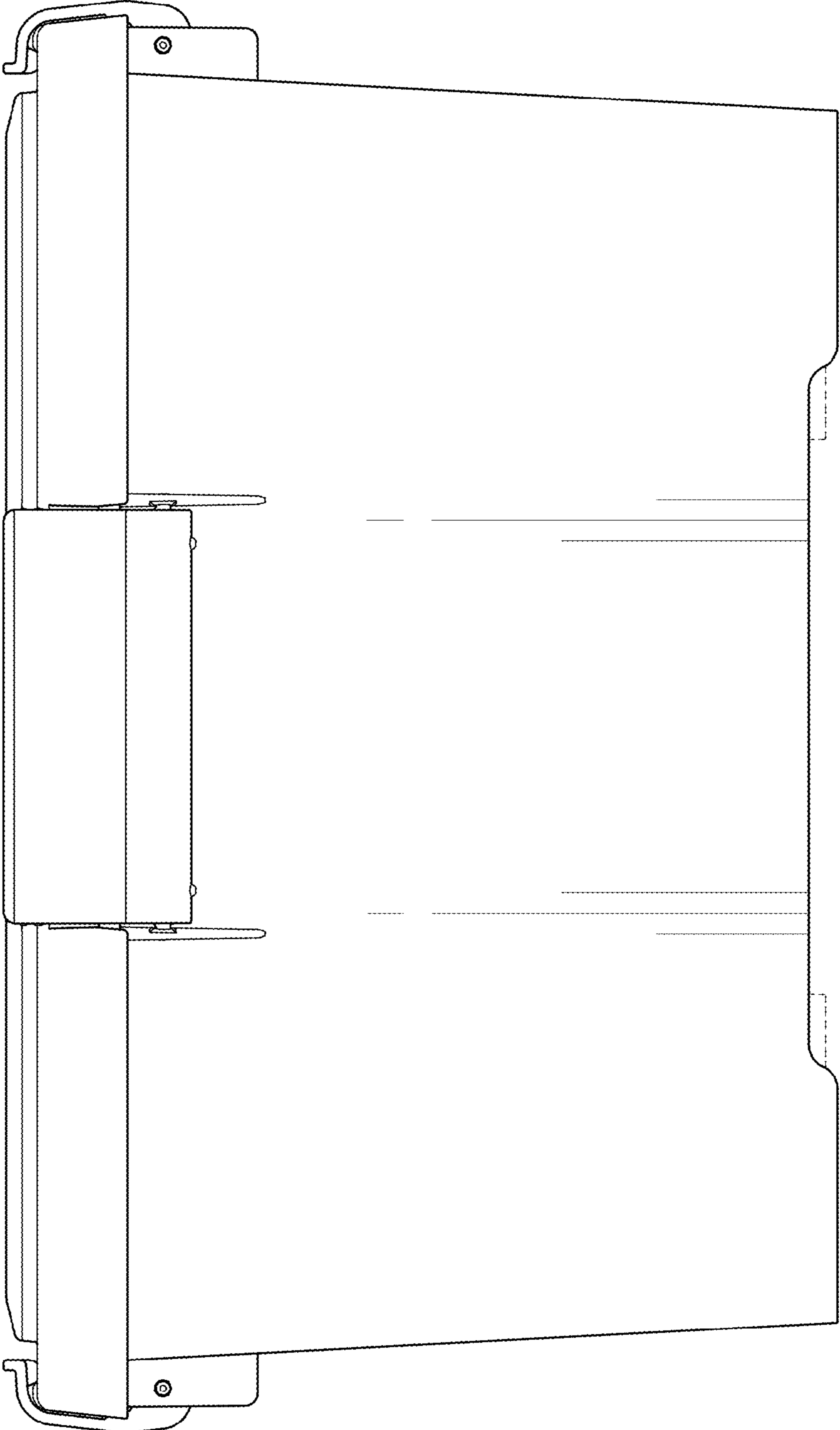


FIG. 3

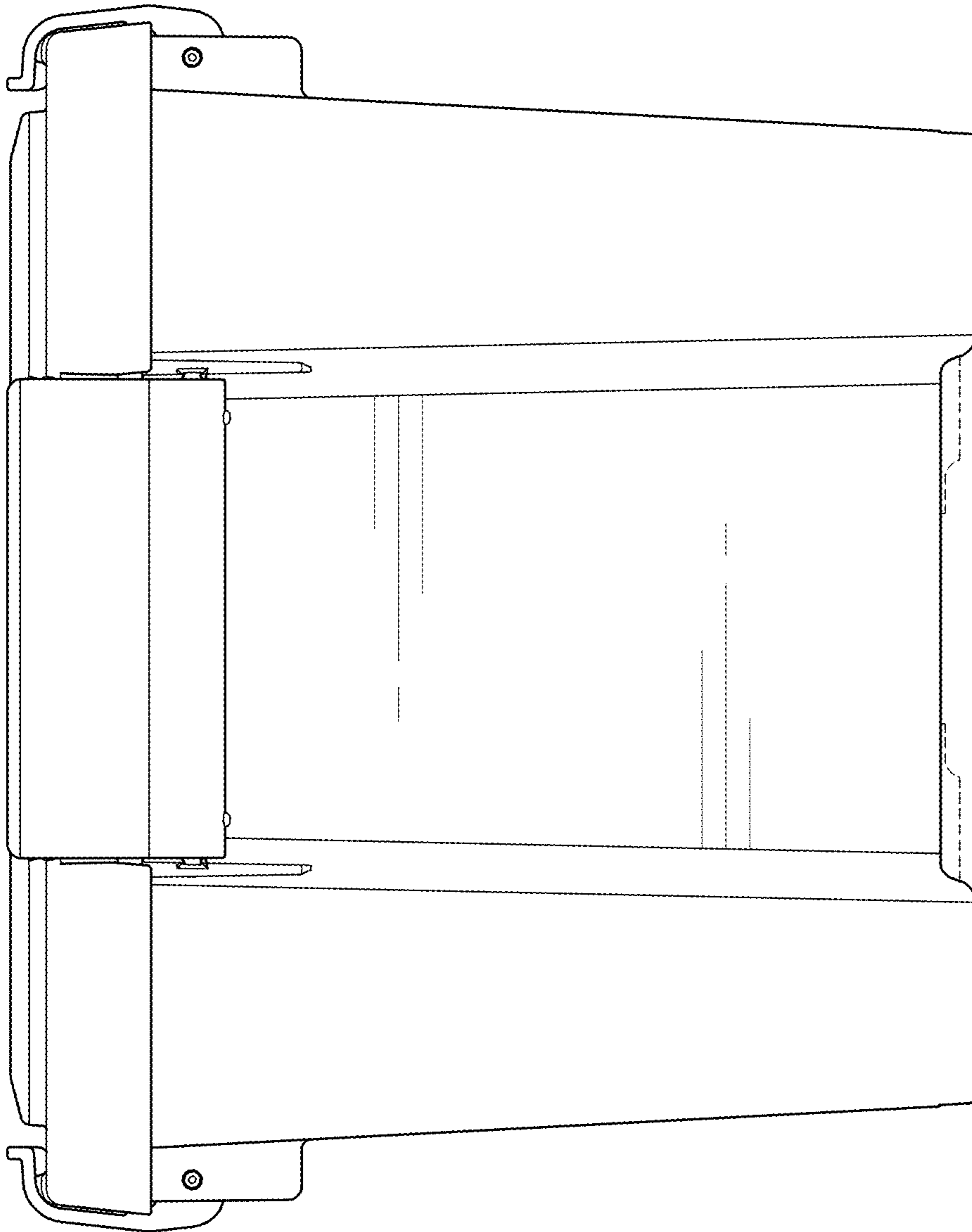




FIG. 4

