



US00D968082S

(12) **United States Design Patent**
Kim

(10) **Patent No.:** **US D968,082 S**

(45) **Date of Patent:** **** Nov. 1, 2022**

(54) **BOOK WITH A SMART DEVICE STORAGE
POCKET**

(71) Applicant: **Myung Ran Kim**, Seoul (KR)

(72) Inventor: **Myung Ran Kim**, Seoul (KR)

(**) Term: **15 Years**

(21) Appl. No.: **29/755,651**

(22) Filed: **Oct. 22, 2020**

(51) **LOC (13) Cl.** **03-01**

(52) **U.S. Cl.**
USPC **D3/271.5**

(58) **Field of Classification Search**
USPC D3/205, 206, 207, 208, 209, 210, 211,
D3/212, 232, 242, 423, 270, 271.1, 271.5,
D3/271.6, 272, 274, 275, 276, 283, 294,
D3/295, 296, 299, 304
CPC A45C 11/16
See application file for complete search history.

(56) **References Cited**

U.S. PATENT DOCUMENTS

D72,943	S	*	6/1927	Friedman	A45C 11/16
						D3/271.5
1,709,685	A	*	4/1929	Rothrock	B65D 77/006
						206/472
1,960,073	A	*	5/1934	Warner	A45C 11/16
						206/759
1,963,552	A	*	6/1934	Horwitt	B65D 77/006
						206/216
D175,722	S	*	10/1955	Graham	D9/634
2,797,806	A	*	7/1957	Davis	A47F 7/03
						206/486
3,003,619	A	*	10/1961	Samuels	A45C 11/16
						206/752
4,467,920	A	*	8/1984	Smith	B65D 77/006
						109/59 R

D303,764	S	*	10/1989	Kilmartin, III	A45C 13/10
						D3/295
D356,031	S	*	3/1995	Bones	B42D 1/08
						D3/271.5
6,158,588	A	*	12/2000	Conti	B65D 5/4291
						116/307
D514,810	S	*	2/2006	Armato	D3/273
7,036,665	B1	*	5/2006	Gyr	B65D 77/006
						206/472

(Continued)

OTHER PUBLICATIONS

Southwest Specialty Products 60001S Book Diversion Safe, announced Oct. 2, 2001 [online], [site visited Dec. 9, 2021]. Available from internet, URL: <<https://www.amazon.com/Southwest-Specialty-Products-60001S-Diversion/dp/B000MIKHEE/>> (Year :2001).*

(Continued)

Primary Examiner — Kevin K Rudzinski

Assistant Examiner — Amber J Rabie

(57) **CLAIM**

The ornamental design for a book with a smart device storage pocket, as shown and described.

DESCRIPTION

FIG. 1 is a perspective view of a book of the present invention.

FIG. 2 is a front side view of the book of FIG. 1.

FIG. 3 is a top side view of the book of FIG. 1.

FIG. 4 is right side view of the book of FIG. 1.

FIG. 5 is a left side view of the book of FIG. 1; and,

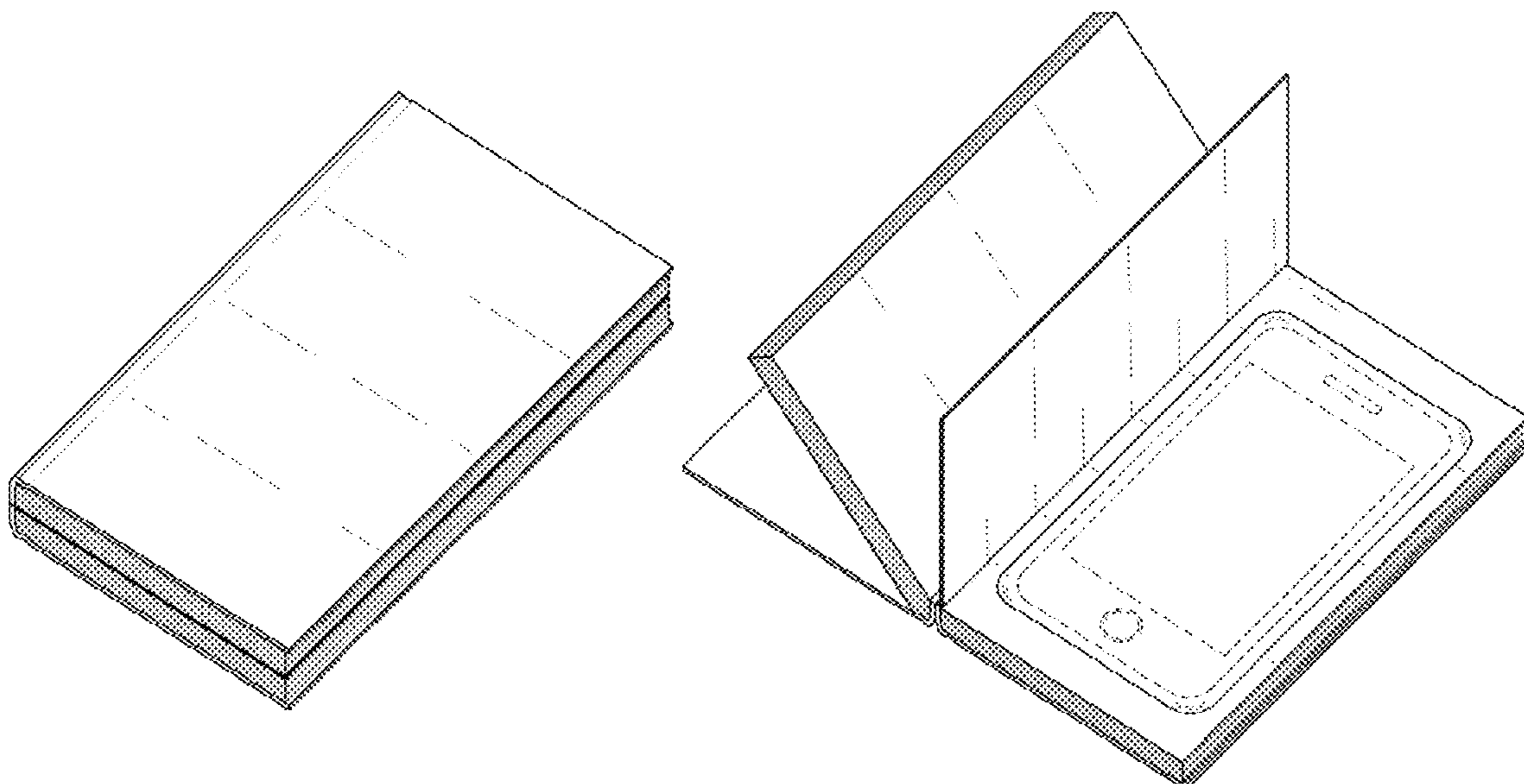
FIG. 6 shows a first embodiment of the book in use, wherein a smartphone is stored in a smart device storage pocket.

The back side view is a mirror image of the front side

The bottom side view is a mirror image of the top side.

The broken lines illustrating a smart device represent environment and form no part of the claimed design.

1 Claim, 6 Drawing Sheets



(56)

References Cited

U.S. PATENT DOCUMENTS

D582,661 S	*	12/2008	Katsof	B65D 77/006 D3/201
D606,874 S	*	12/2009	Faridovich	D9/634
D657,417 S	*	4/2012	Naimi	A47F 7/03 D19/26
D674,437 S	*	1/2013	Siegel	B65D 77/006 D19/26
D682,279 S	*	5/2013	Fuchs	D14/440
D755,465 S	*	5/2016	Pennington	D99/28
D831,351 S	*	10/2018	Lee	D3/271.5
2003/0230888 A1	*	12/2003	Grummich	B42D 1/08 281/29
2009/0134209 A1	*	5/2009	Tonaltzin	A45C 13/10 229/116.1

OTHER PUBLICATIONS

UniquExceptional 2—Diversion Book Safe, announced Oct. 2, 2001 [online], [site visited Dec. 9, 2021]. Available from internet, URL: <<https://www.amazon.com/UniquExceptional-2-DIVERSION-BOOK-SAFE-Made/dp/B0006DWFAY/>> (Year: 2001).*

Streetwise Fake Large Hardbound Diversion Book, announced Oct. 17, 2015 [online], [site visited Dec. 9, 2021]. Available from internet, URL: <<https://www.amazon.com/Streetwise-Hardbound-Diversion-Secret-Compartment/dp/B00ZAQMIAE/>> (Year: 2015).*

* cited by examiner

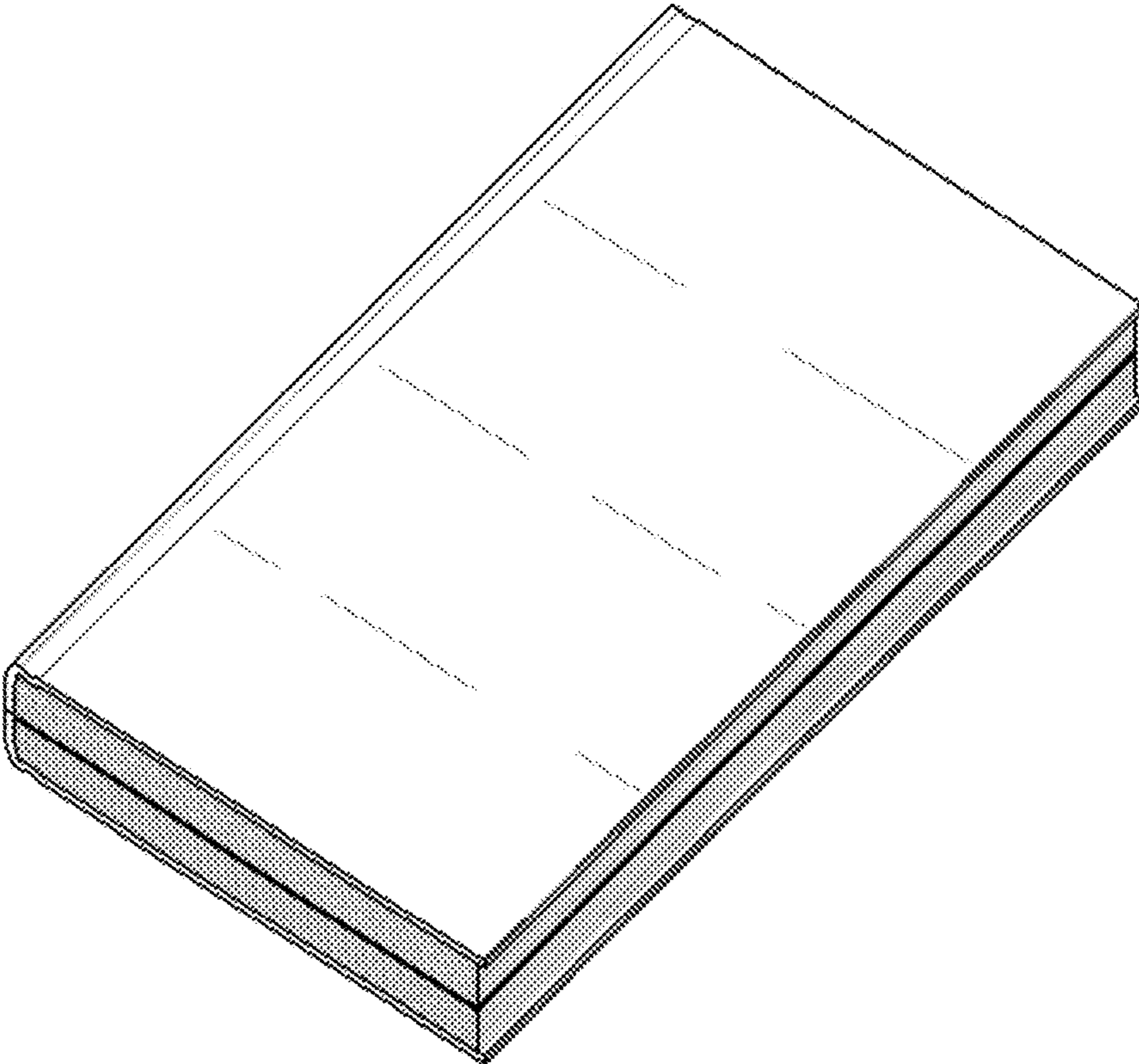


FIG. 1

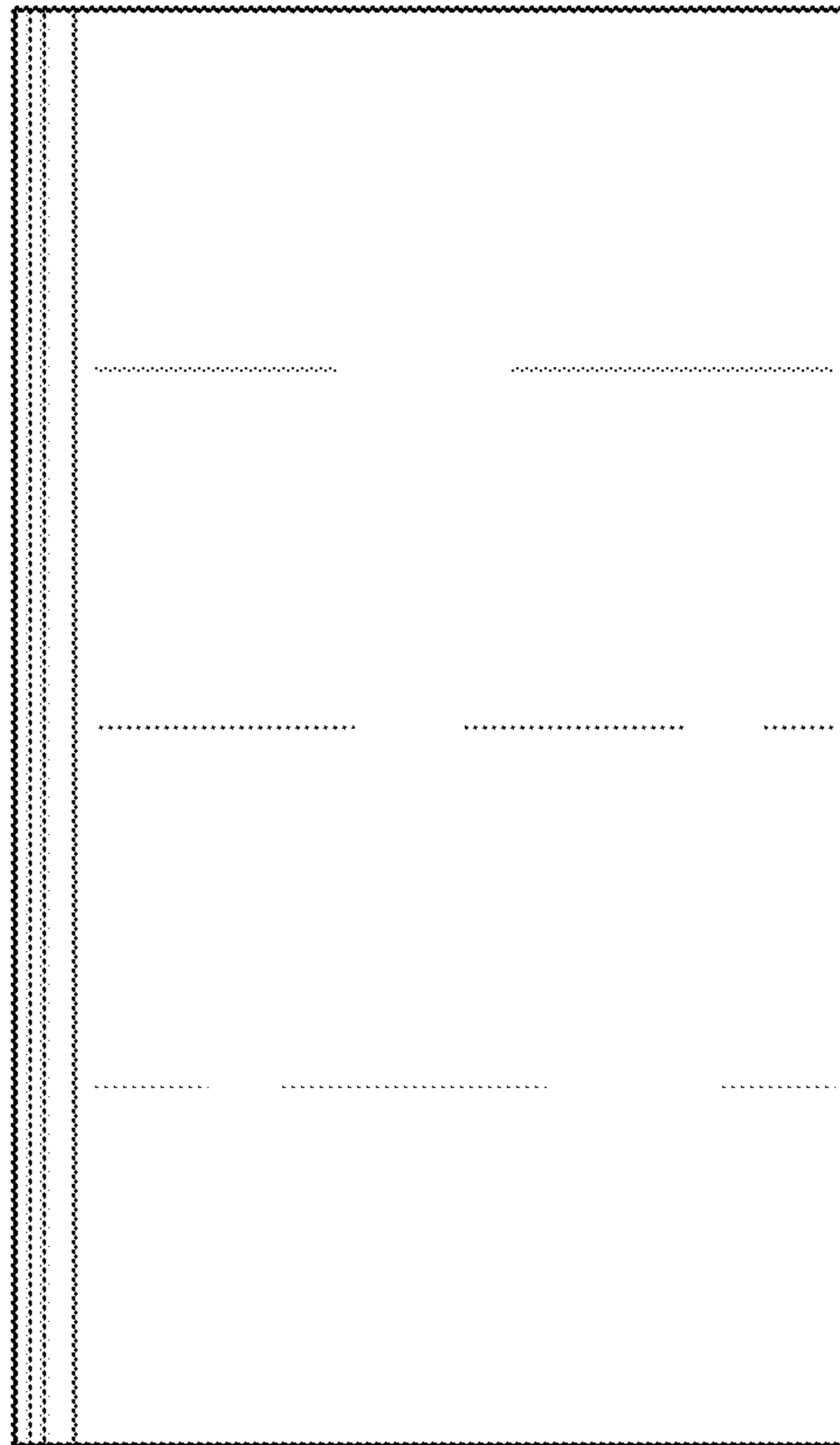


FIG. 2

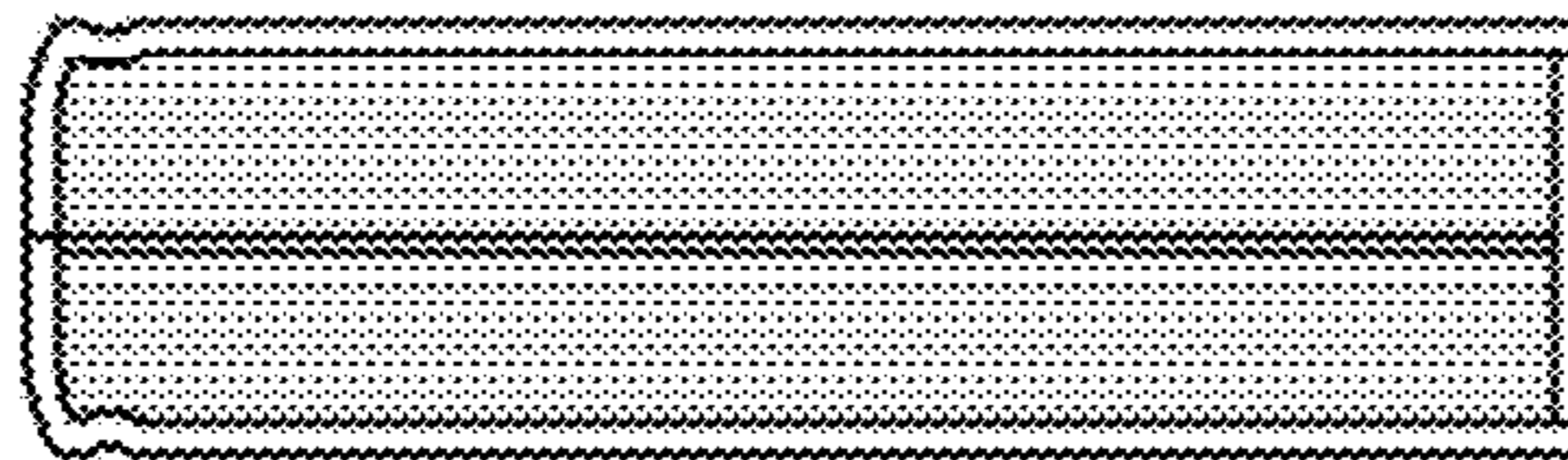


FIG. 3

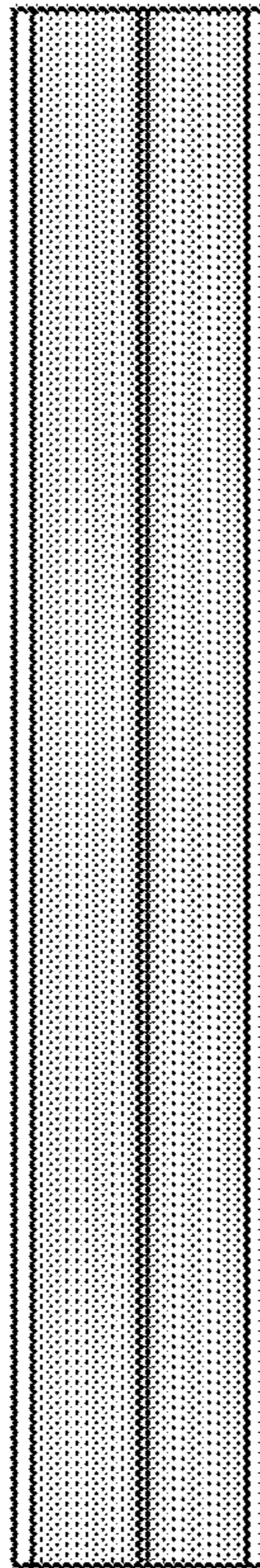


FIG. 4

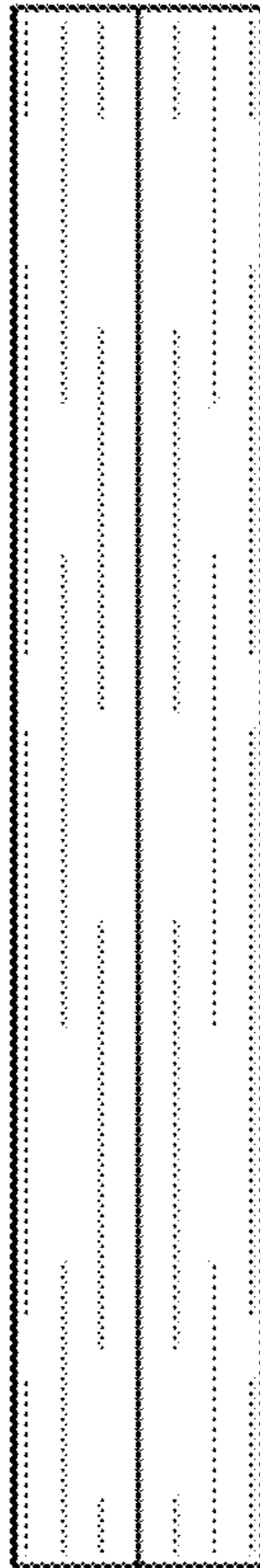


FIG. 5

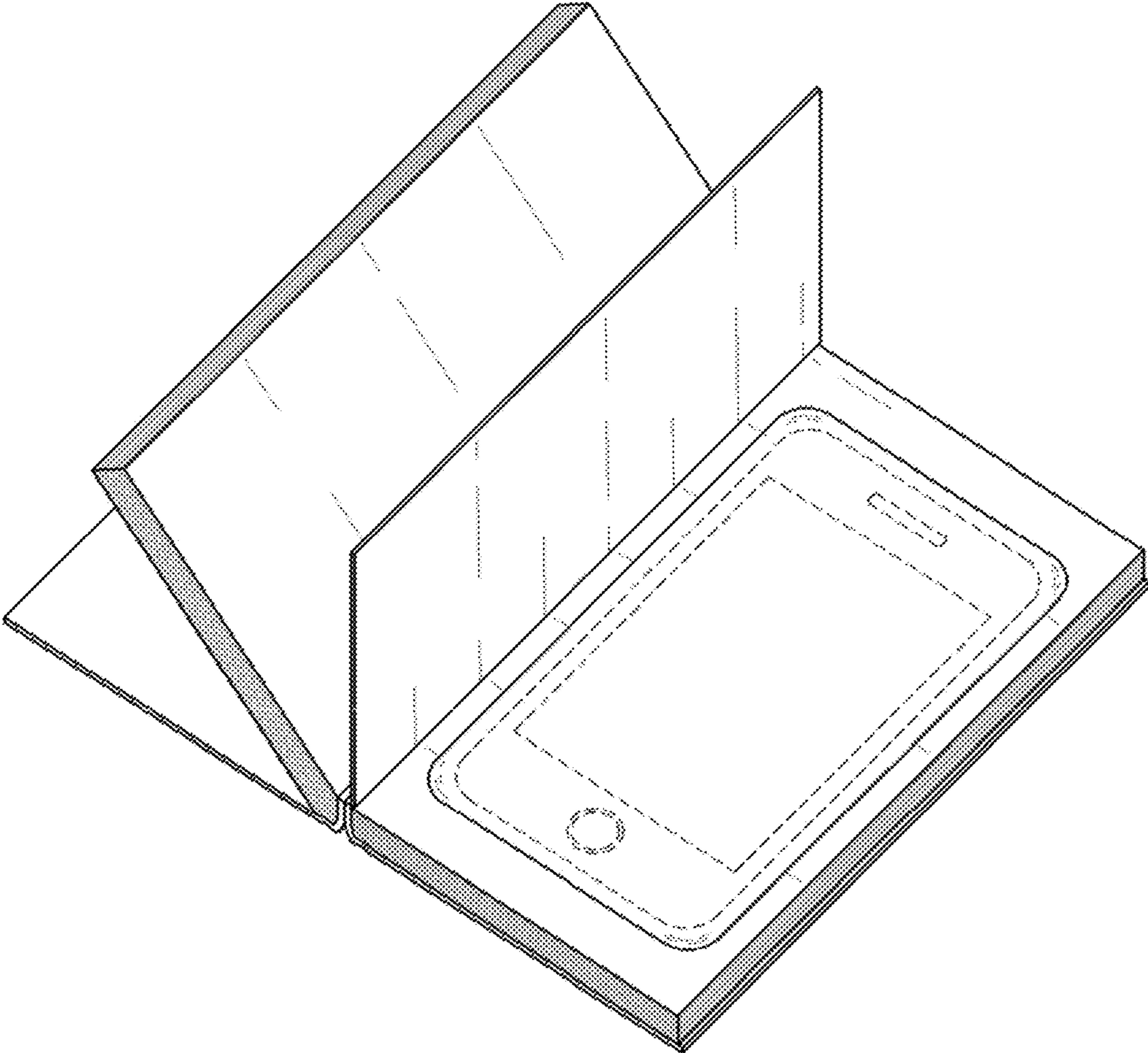


FIG. 6