



US00D968079S

(12) **United States Design Patent** (10) **Patent No.:** **US D968,079 S**  
**Li** (45) **Date of Patent:** **\*\* Nov. 1, 2022**

(54) **POCKET**

(71) Applicant: **Hangzhou Taomore Technology Co. Ltd**, Hangzhou (CN)  
(72) Inventor: **Licheng Li**, Hangzhou (CN)  
(73) Assignee: **HANGZHOU TAOMORE TECHNOLOGY CO. LTD**, Hangzhou (CN)

(\*\*) Term: **15 Years**

(21) Appl. No.: **29/749,914**

(22) Filed: **Sep. 10, 2020**

(30) **Foreign Application Priority Data**

May 26, 2020 (CN) ..... 202030250100.6

(51) **LOC (13) Cl.** ..... **03-01**

(52) **U.S. Cl.**  
USPC ..... **D3/226**

(58) **Field of Classification Search**  
USPC ..... D3/215, 226-233, 243, 247, 249, 273,  
D3/276, 289-290, 293, 299, 301, 303,  
D3/902  
CPC . A45C 1/04; A45C 13/021; A45F 3/00; A45F  
3/005; A45F 3/14; A45F 5/00; A45F  
5/02; A45F 5/021; A45F 4/02; A61F  
5/028

See application file for complete search history.

(56) **References Cited**

**U.S. PATENT DOCUMENTS**

D371,905 S	*	7/1996	Kopel	.....	D3/226
D458,021 S	*	6/2002	Willows	.....	D3/226
D630,841 S	*	1/2011	Pomerantz	.....	D3/221
D793,720 S	*	8/2017	Tien	.....	D3/226
D831,340 S	*	10/2018	Pomerantz	.....	D3/226
D835,402 S	*	12/2018	Pomerantz	.....	D3/226
D843,713 S	*	3/2019	Li	.....	D3/217
D882,248 S	*	4/2020	Dumas	.....	D3/226

**OTHER PUBLICATIONS**

Tajezzo Fanny Pack Hard Shell Anti Theft Waist Bag, available no later than Apr. 9, 2021 based on customer reviews, amazon.com [online], site visited Jun. 13, 2022], Available at URL: [https://www.amazon.com/TAJEZZO-Waterproof-Shoulder-Backpack-Outdoor/dp/B08QRCPW6D?ref=ast\\_sto\\_dp&th=1](https://www.amazon.com/TAJEZZO-Waterproof-Shoulder-Backpack-Outdoor/dp/B08QRCPW6D?ref=ast_sto_dp&th=1) (Year: 2021).  
Hard shell fanny pack for men, unknown first available date, lazada.com [online], [site visited Jun. 13, 2022], Available at URL: <https://www.lazada.com.ph/products/hard-shell-fanny-pack-for-men-black-purses-crossbody-chest-bag-designer-waist-bag-luxury-nd-bag-fashion-korean-belt-bum-bag-i3055013982.html> (Year: 2022).  
Hard Shell Fanny Pack Stylish for Men, unknown first available date, zinmark.com [online], [site visited Jun. 13, 2022], Available at URL: <https://zinmark.com/products/ozuko-hard-shell-waist-bag-fashion-men-chest-bags-outdoor-sports-belt?variant=42136767037699> (Year: 2022).\*

\* cited by examiner

*Primary Examiner* — Michelle E. Wilson

*Assistant Examiner* — Caitlin A Lavery

(74) *Attorney, Agent, or Firm* — Bayramoglu Law Offices LLC

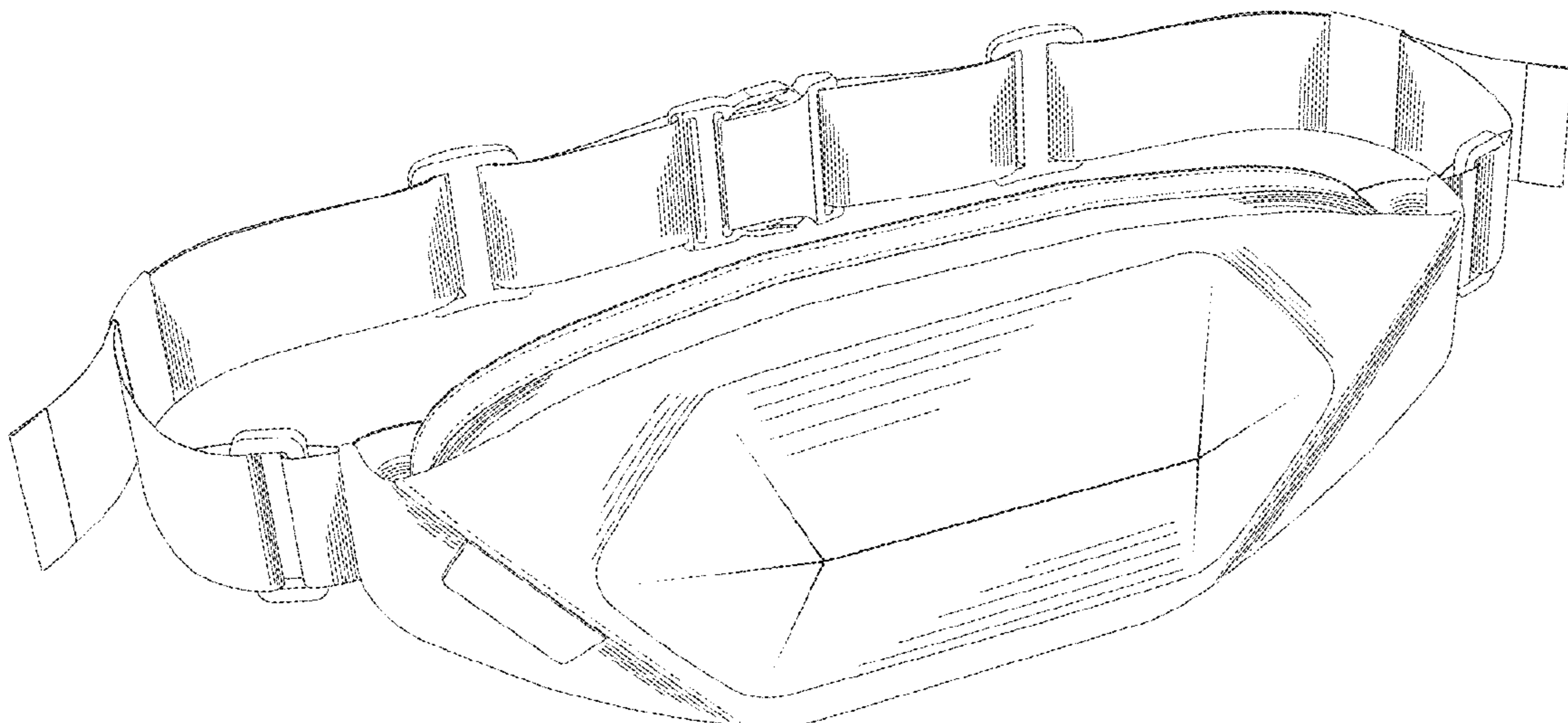
(57) **CLAIM**

The ornamental design for a pocket, as shown and described.

**DESCRIPTION**

FIG. 1 is a perspective view of a pocket showing my new design;  
FIG. 2 is a front view thereof;  
FIG. 3 is a rear view thereof;  
FIG. 4 is a left side view thereof;  
FIG. 5 is a right side view thereof;  
FIG. 6 is a top view thereof; and,  
FIG. 7 is a bottom view thereof.  
The broken lines showing the stitches of the pocket form a part of the claimed design.

**1 Claim, 7 Drawing Sheets**



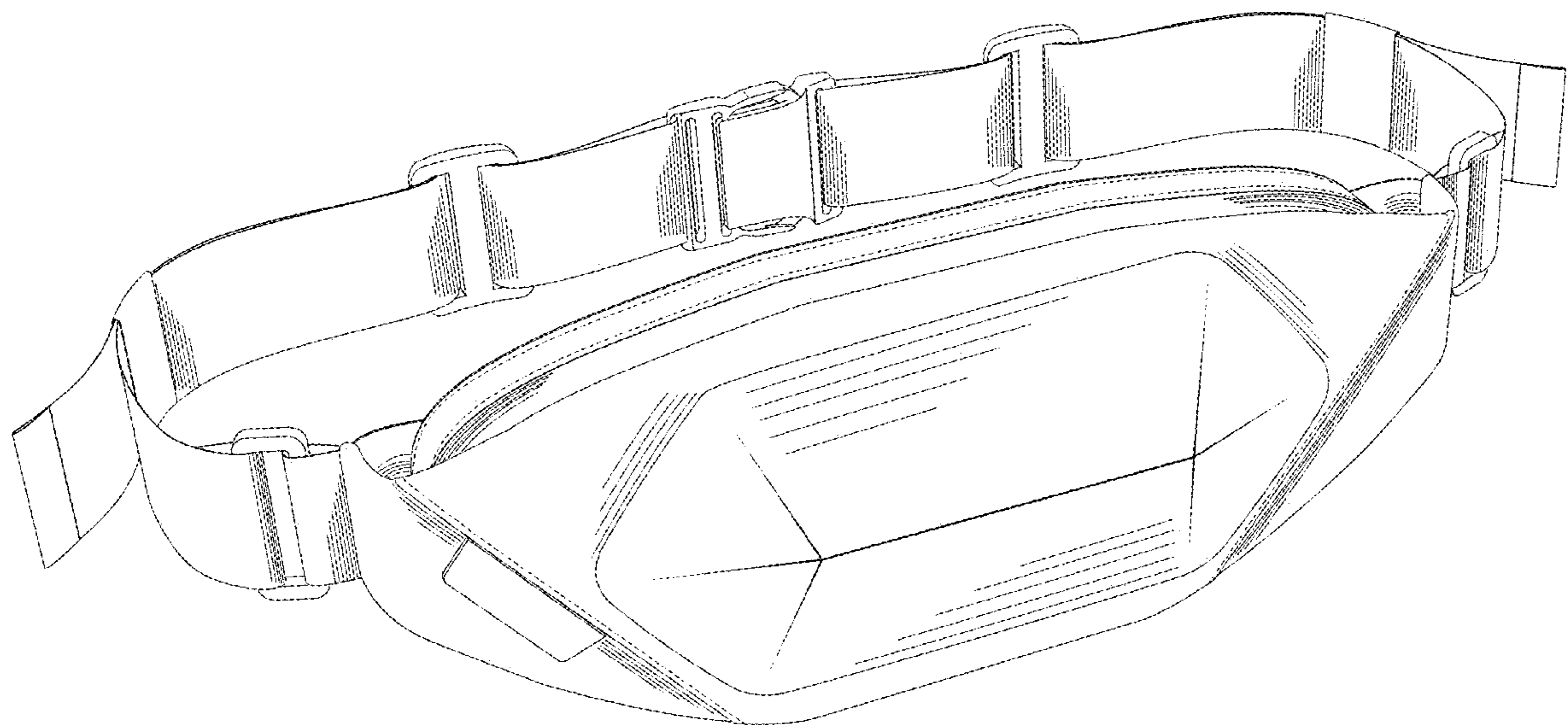


FIG. 1

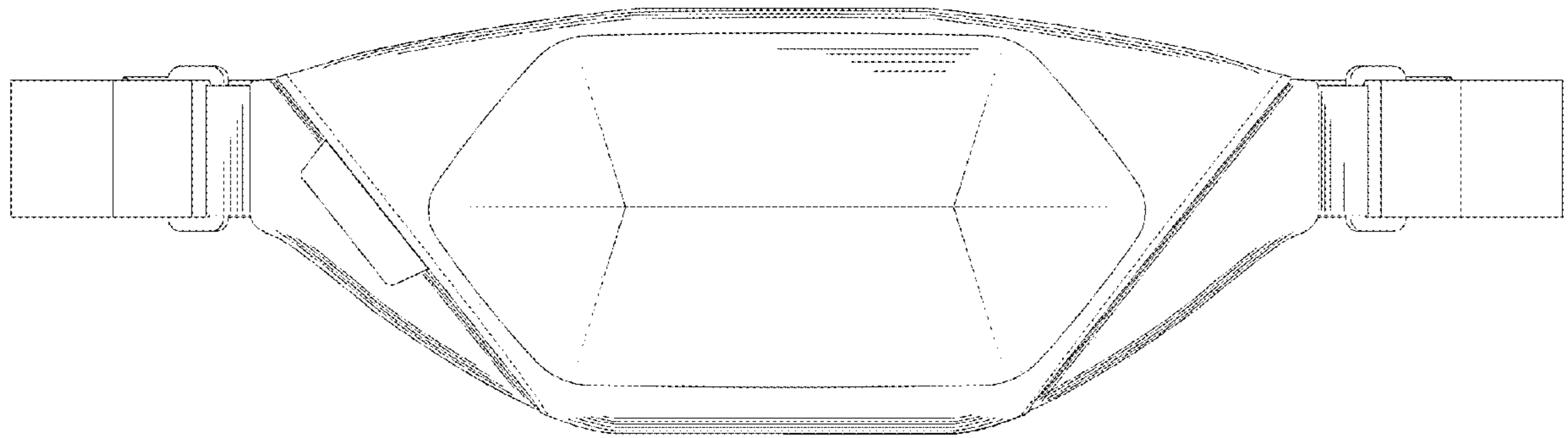


FIG. 2

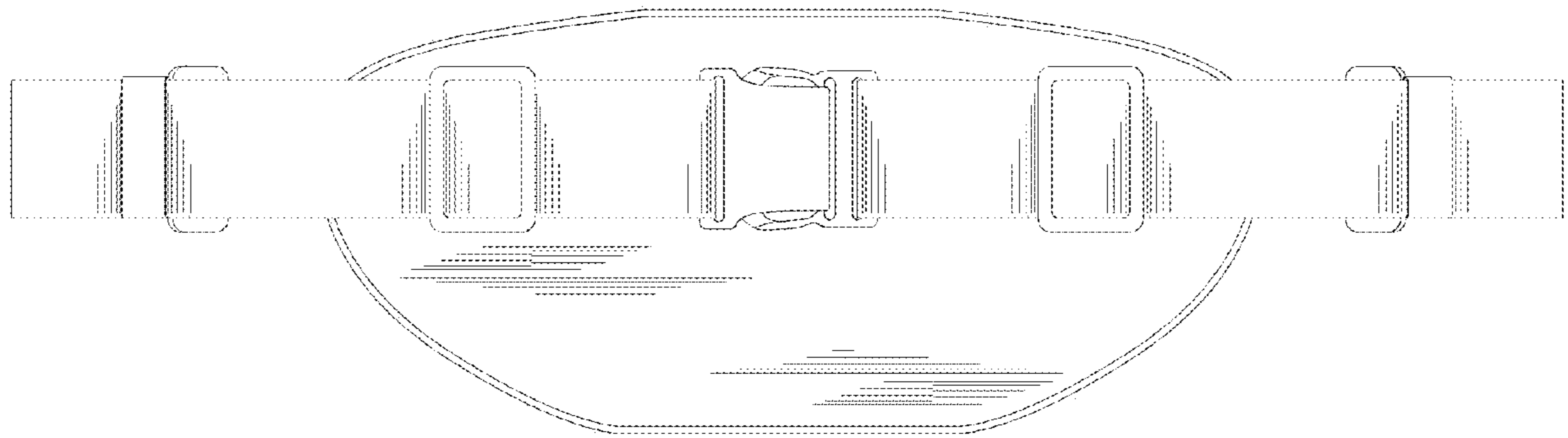


FIG. 3

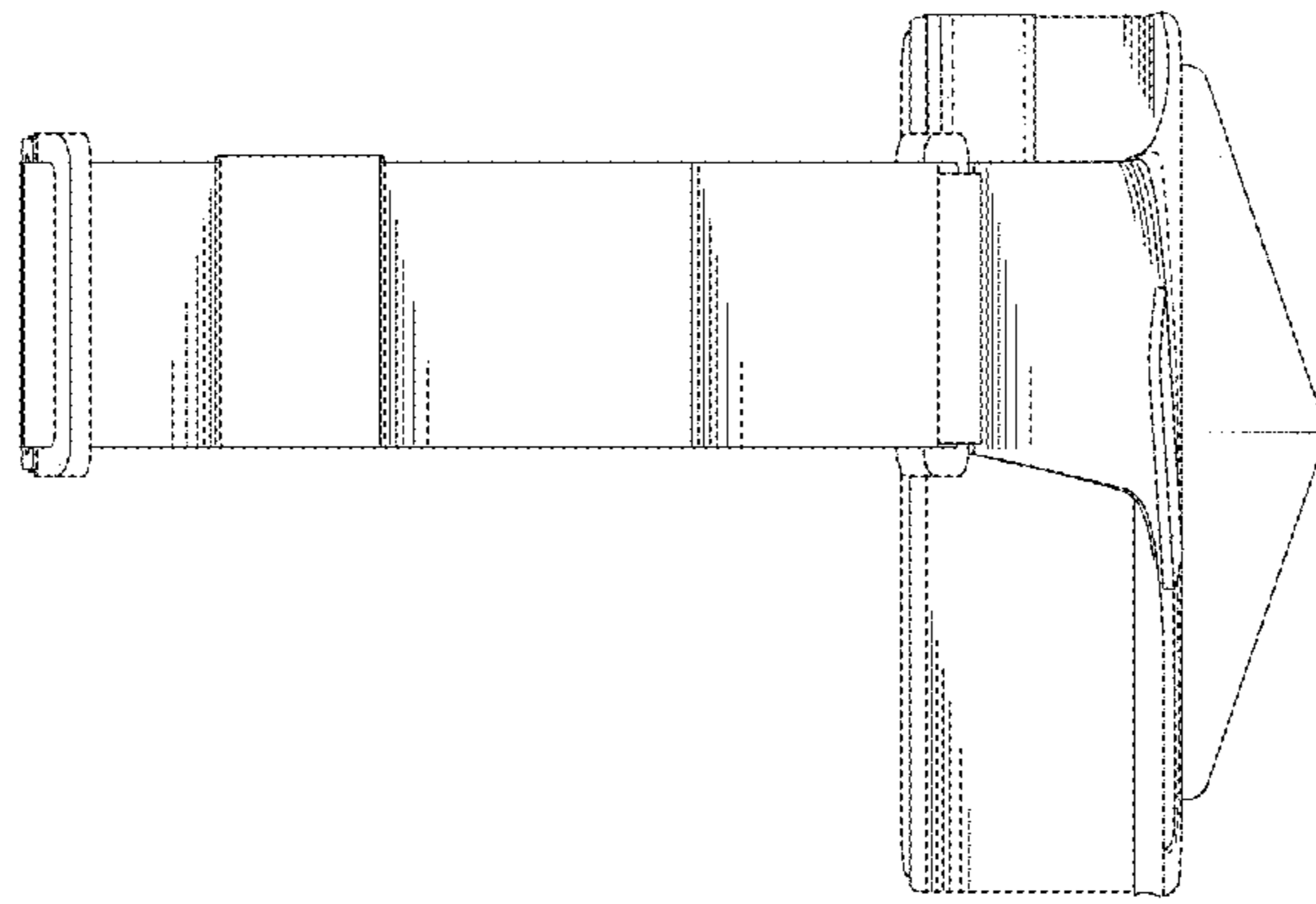


FIG. 4

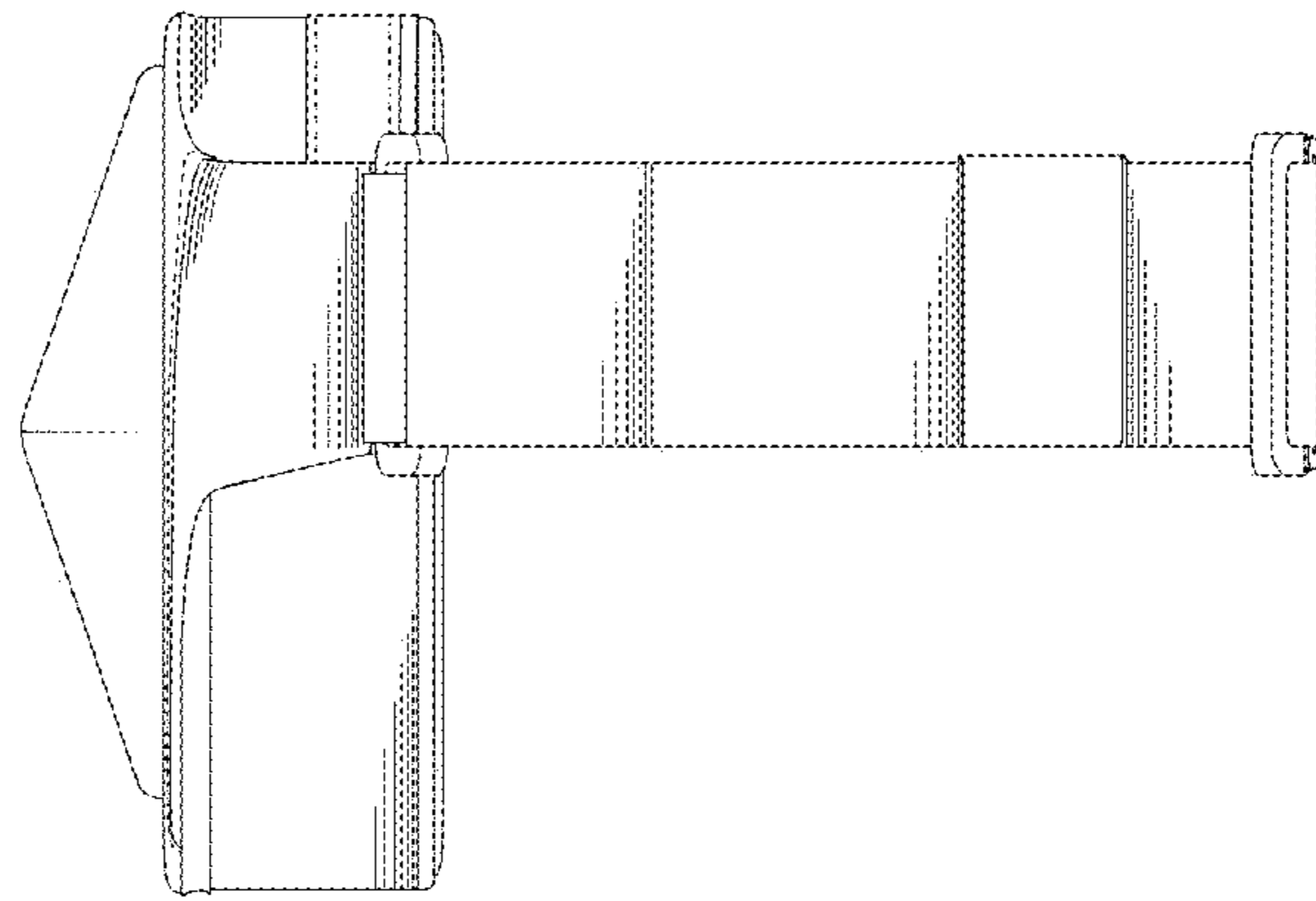


FIG. 5



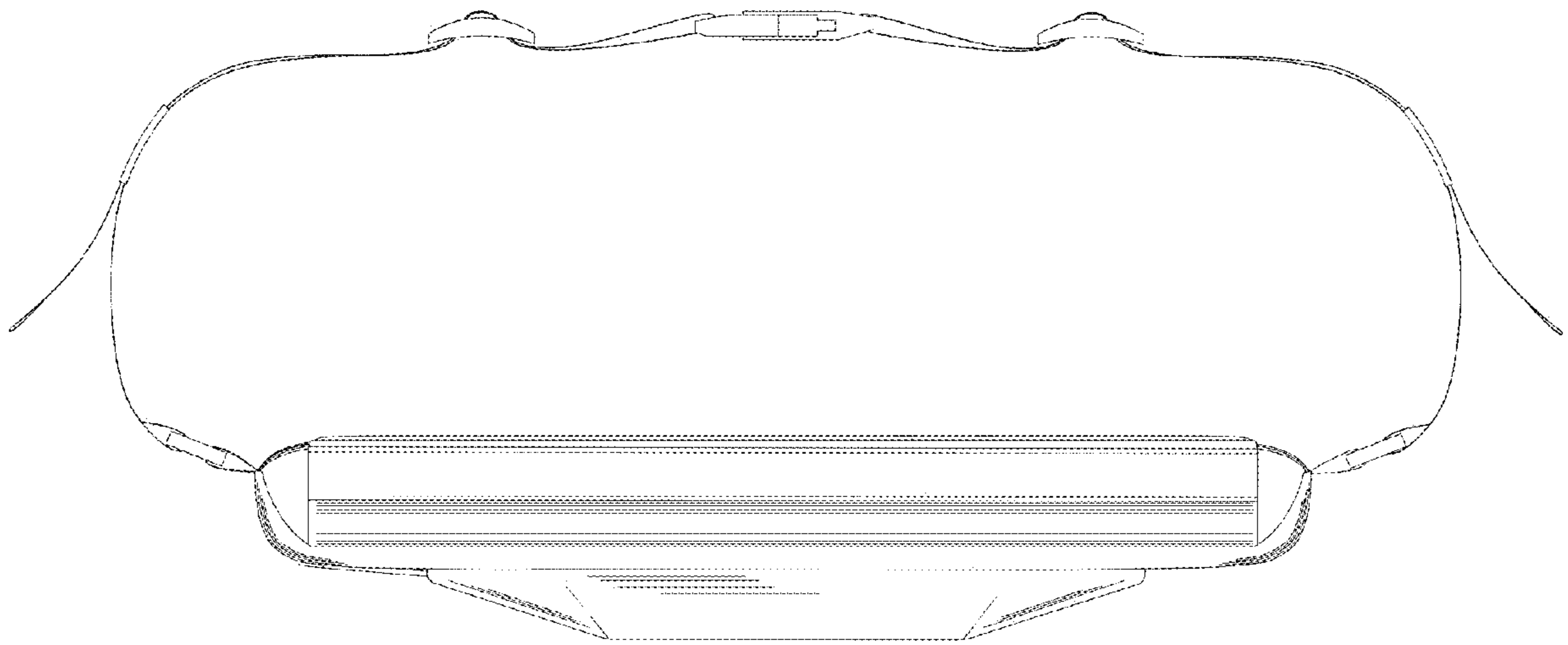


FIG. 6

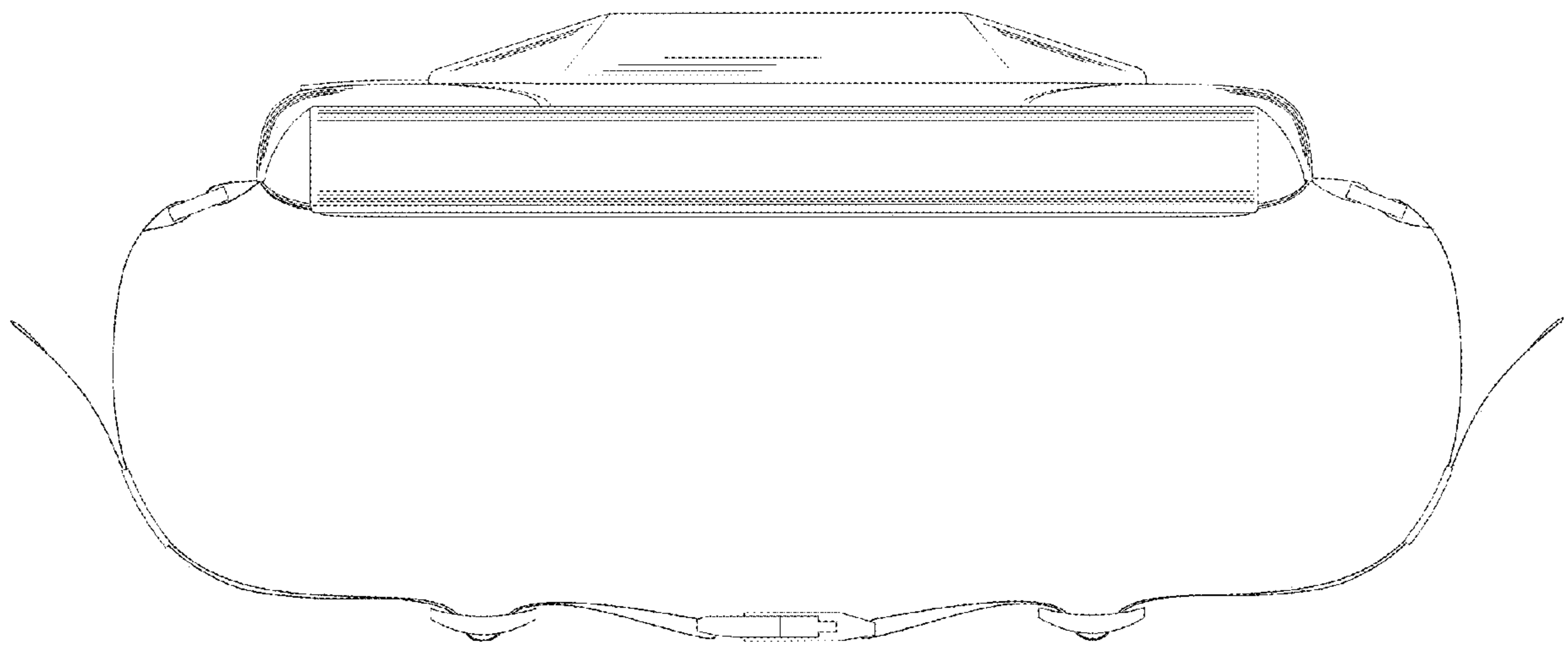


FIG. 7