



US00D968073S

(12) **United States Design Patent**  
**Lin**

(10) **Patent No.:** **US D968,073 S**

(45) **Date of Patent:** **\*\* Nov. 1, 2022**

(54) **DIAPER BAG**

(71) Applicant: **Hangzhou Aike E-business Co., Ltd.**,  
Hangzhou (CN)

(72) Inventor: **Zhijie Lin**, Yueqing (CN)

(\*\*) Term: **15 Years**

(21) Appl. No.: **29/707,541**

(22) Filed: **Sep. 29, 2019**

(51) **LOC (13) Cl.** ..... **03-01**

(52) **U.S. Cl.**  
USPC ..... **D3/217**

(58) **Field of Classification Search**  
USPC ..... D3/216, 217, 318  
CPC .. A45C 3/08; A45C 3/06; A45C 13/08; A45C  
13/02; A45C 7/0086; A45C 3/00; A45C  
13/26; A45F 3/04; A45F 3/02  
See application file for complete search history.

(56) **References Cited**

**U.S. PATENT DOCUMENTS**

D787,816 S \* 5/2017 Slimane ..... D3/217  
D888,413 S \* 6/2020 Dai ..... D3/217  
D895,272 S \* 9/2020 Zhitian ..... D3/217

D895,273 S \* 9/2020 Zhitian ..... D3/217  
D896,504 S \* 9/2020 Li ..... D3/217  
D898,349 S \* 10/2020 He ..... D3/217  
D898,359 S \* 10/2020 Ho ..... D3/289  
D908,356 S \* 1/2021 Currier ..... D3/283  
D927,174 S \* 8/2021 Dai ..... D3/217  
2003/0024960 A1 \* 2/2003 Greenstein ..... A45F 3/047  
224/153

\* cited by examiner

*Primary Examiner* — Jennifer L Watkins

(57) **CLAIM**

The ornamental design for a diaper bag, as shown and described.

**DESCRIPTION**

FIG. 1 is a front and top perspective view of a diaper bag, showing my new design;  
FIG. 2 is a rear and bottom perspective view thereof;  
FIG. 3 is a front elevational view thereof;  
FIG. 4 is a rear elevational view thereof;  
FIG. 5 is a left side elevational view thereof;  
FIG. 6 is a right side elevational view thereof;  
FIG. 7 is a top plan view thereof; and,  
FIG. 8 is a bottom plan view thereof.  
The broken lines in the figures illustrate portions of then diaper bag that form no part of the claimed design.

**1 Claim, 8 Drawing Sheets**







FIG. 1





FIG. 2

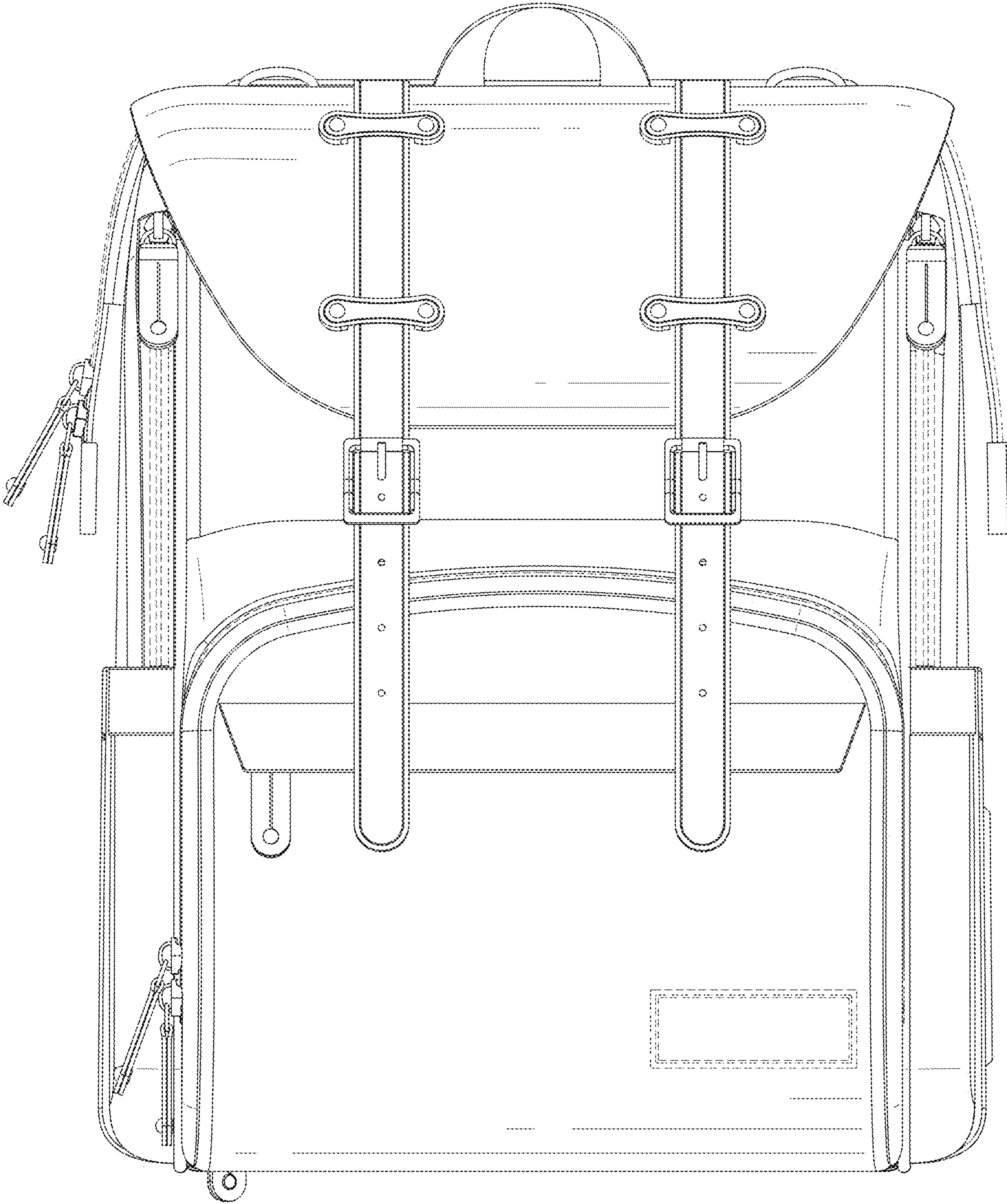


FIG. 3



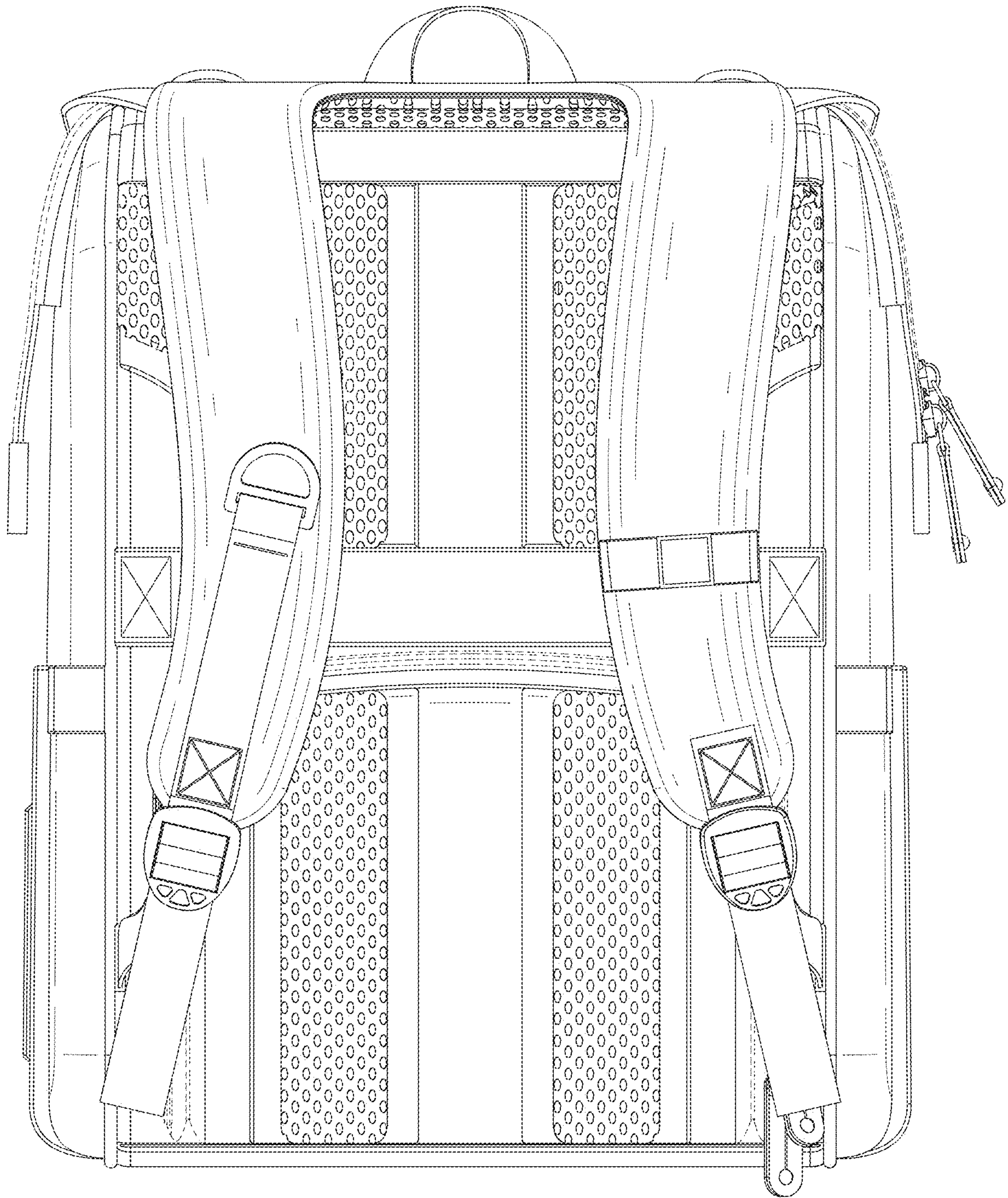


FIG. 4

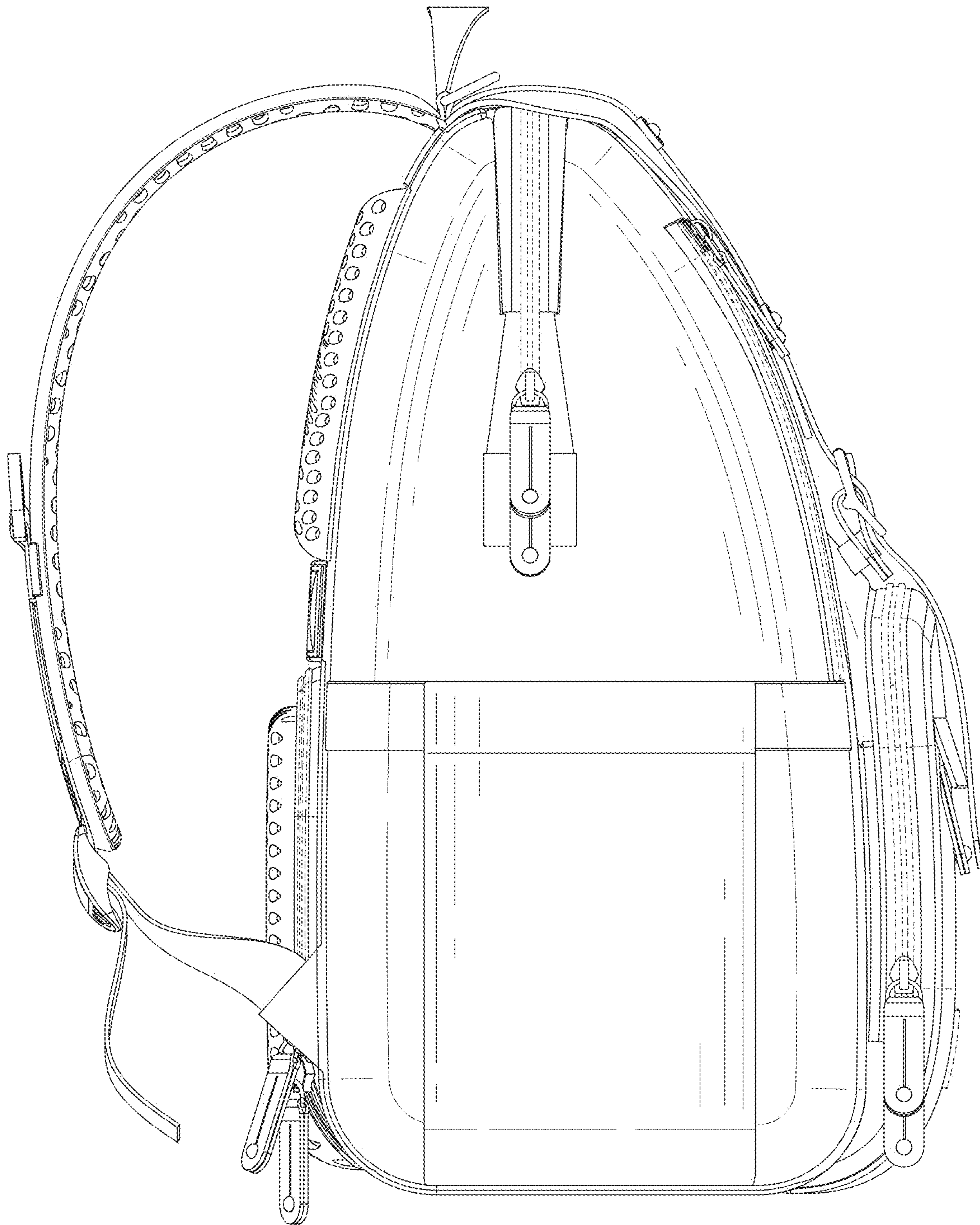


FIG. 5



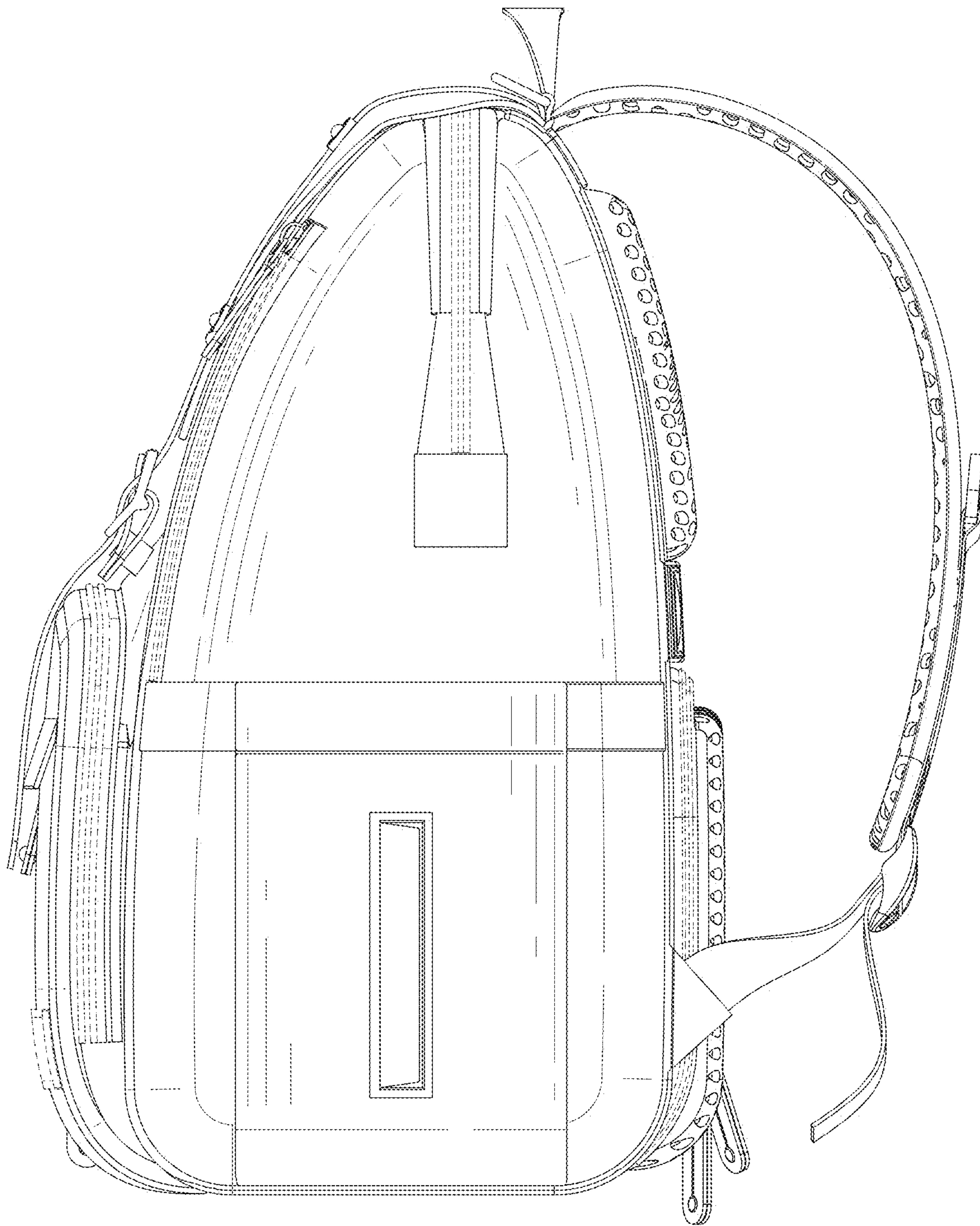


FIG. 6

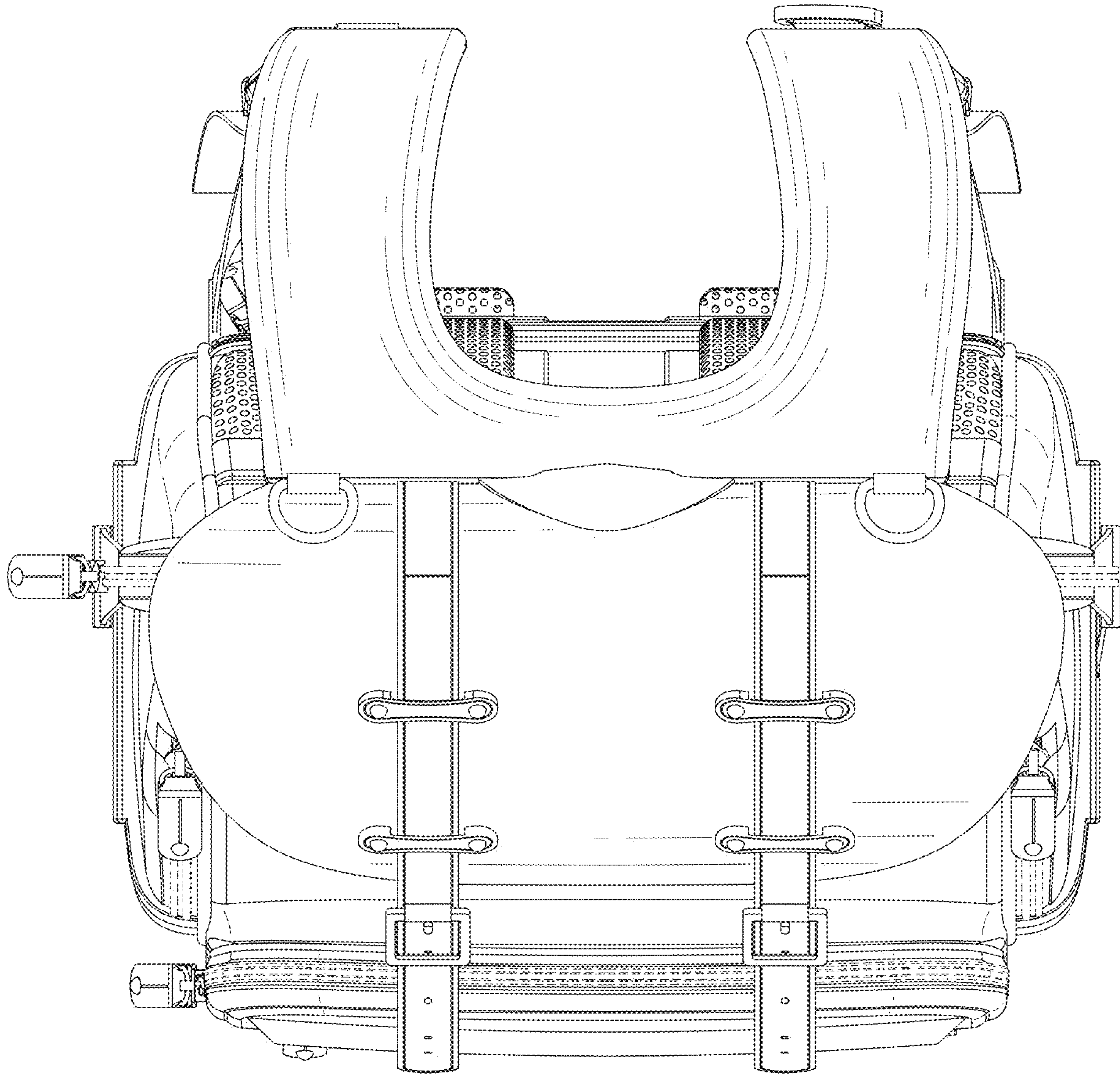


FIG. 7



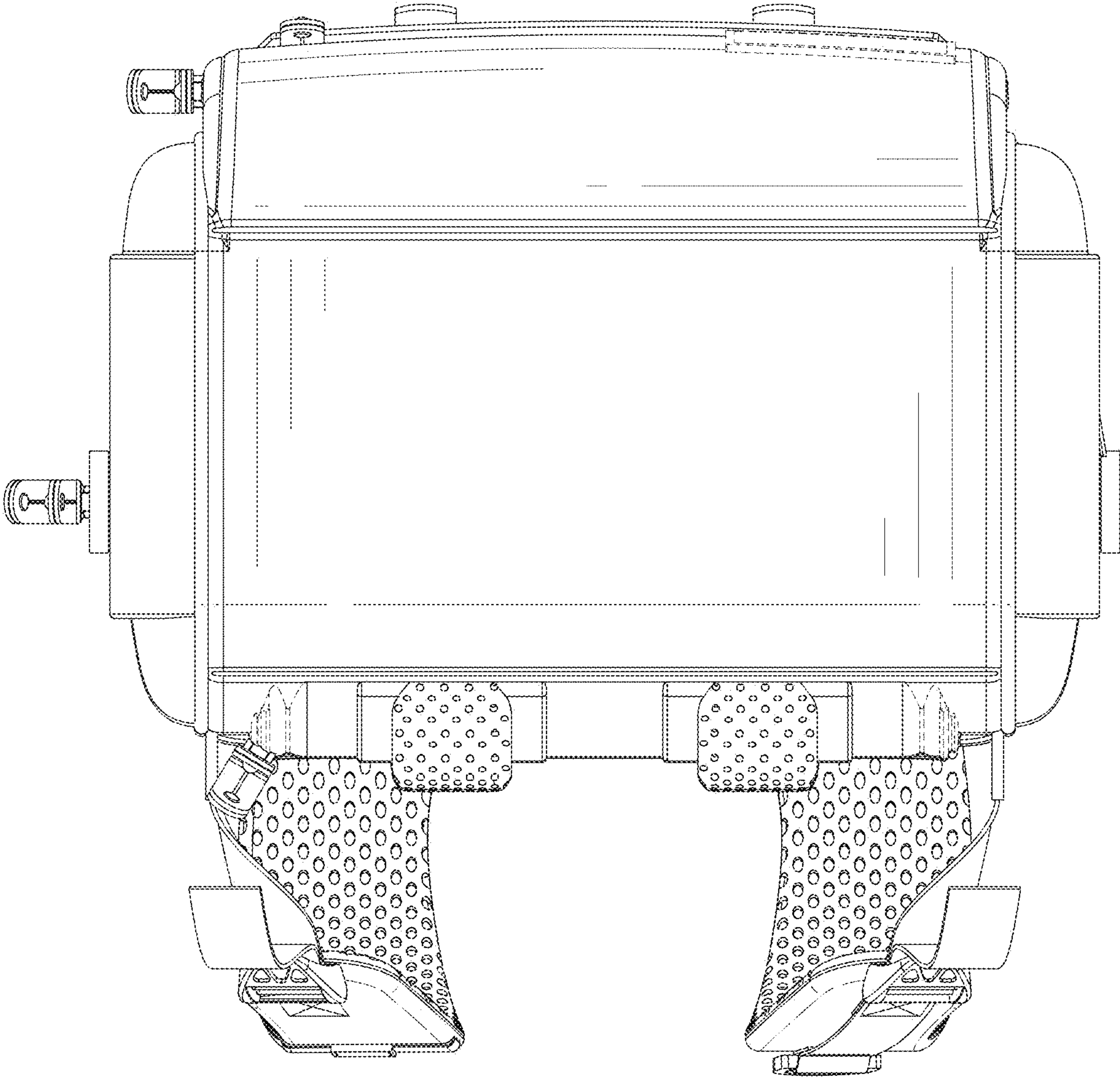


FIG. 8