



US00D968072S

(12) **United States Design Patent** (10) **Patent No.:** **US D968,072 S**  
**Yang** (45) **Date of Patent:** **\*\* Nov. 1, 2022**

(54) **BACKPACK**

(71) Applicant: **Yipeng Yang**, Guangzhou (CN)

(72) Inventor: **Yipeng Yang**, Guangzhou (CN)

(\*\*) Term: **15 Years**

(21) Appl. No.: **29/807,634**

(22) Filed: **Sep. 13, 2021**

(51) **LOC (13) Cl.** ..... **03-01**

(52) **U.S. Cl.**  
USPC ..... **D3/216**

(58) **Field of Classification Search**  
USPC ..... D3/213–217, 221, 224–233, 242–244,  
D3/254–262  
CPC .... A45F 3/00; A45F 3/005; A45F 3/02; A45F  
3/04; A45F 3/042; A45F 3/047; A45F  
3/06; A45F 3/08; A45F 3/10; A45F  
2003/001; A45F 2003/002; A45F  
2003/003; A45F 2003/006; A45F  
2003/007; A45F 2003/008; A45F  
2003/025; A45F 2003/045; A45F  
2200/00; A45F 2200/05; A45F  
2200/0525; A45F 2200/0533

See application file for complete search history.

(56) **References Cited**

**U.S. PATENT DOCUMENTS**

D340,354 S	*	10/1993	Wrath	.....	D3/238
D436,437 S	*	1/2001	Guyon	.....	D3/242
D436,722 S	*	1/2001	Larko	.....	D3/217
D441,528 S	*	5/2001	Guyon	.....	D3/242
D460,614 S	*	7/2002	Reimers	.....	D3/217
D471,013 S	*	3/2003	Peterson	.....	D3/254
D487,189 S	*	3/2004	Ukitsu	.....	D3/217
D766,571 S	*	9/2016	Boroski	.....	D3/232
D768,981 S	*	10/2016	Kliot	.....	D3/217
D772,562 S	*	11/2016	Petre	.....	D3/216
D822,378 S	*	7/2018	Franek	.....	D3/216
D834,895 S	*	12/2018	Triska	.....	D3/216

D848,219 S	*	5/2019	Munie	.....	D3/216
D853,201 S	*	7/2019	Collie	.....	D3/216
D867,823 S	*	11/2019	Jacobsen	.....	D3/216

(Continued)

**FOREIGN PATENT DOCUMENTS**

CN	306765316	*	8/2021
CN	307314005	*	5/2022

(Continued)

**OTHER PUBLICATIONS**

VKKZAAW Cooler Backpack, available at amazon.com, earliest date available Oct. 6, 2021 [online], site visited Aug. 29, 2022, available from the internet URL: <https://www.amazon.com/dp/B09HT8JT7C/> (Year: 2021).\*

(Continued)

*Primary Examiner* — Messina L Smith  
*Assistant Examiner* — Jillian Mazzola  
(74) *Attorney, Agent, or Firm* — True Shepherd, LLC;  
Andrew Cheng

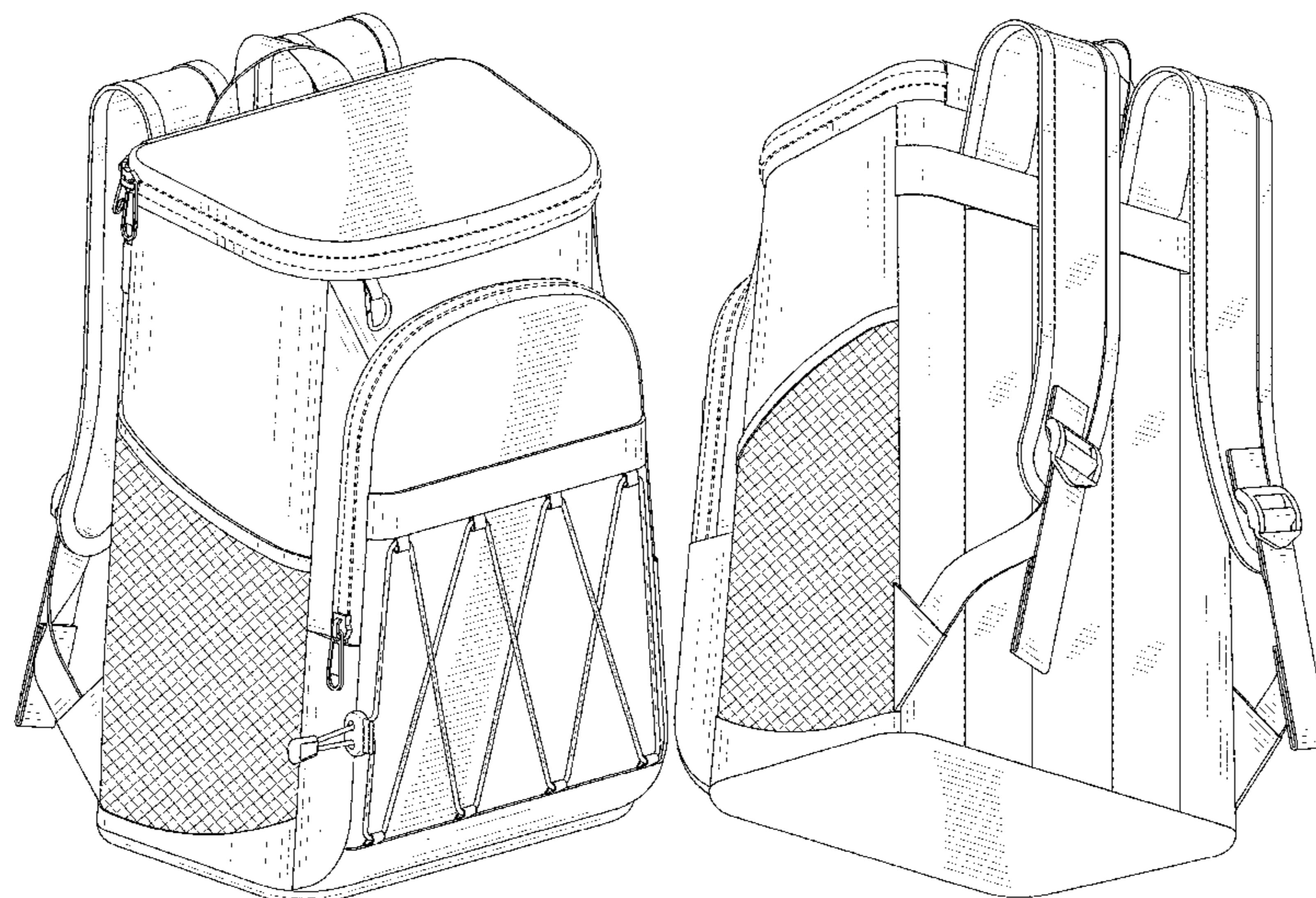
(57) **CLAIM**

The ornamental design for a backpack, as shown and described.

**DESCRIPTION**

FIG. 1 is a front, left, and top perspective view of a backpack, showing my design.  
FIG. 2 is a rear, right and bottom perspective view thereof.  
FIG. 3 is a front elevation view thereof.  
FIG. 4 is a rear elevation view thereof.  
FIG. 5 is a left side elevation view thereof.  
FIG. 6 is a right side elevation view thereof.  
FIG. 7 is a top plan view thereof; and,  
FIG. 8 is a bottom plan view thereof.  
The broken lines shown in the drawings depict portions of the backpack that form no part of the claimed design.

**1 Claim, 8 Drawing Sheets**



(56)

**References Cited**

U.S. PATENT DOCUMENTS

D871,163 S \* 12/2019 Jacobsen ..... D3/216  
D925,907 S 7/2021 Baires et al.  
D927,173 S 8/2021 Kawamoto et al.  
D946,885 S \* 3/2022 Bi ..... D3/217  
2003/0164321 A1 \* 9/2003 Ukitsu ..... A45F 3/04  
190/102  
2018/0252458 A1 \* 9/2018 Furneaux ..... A45F 4/02

FOREIGN PATENT DOCUMENTS

GB 6109355 \* 12/2020  
RU 00120289 \* 6/2020

OTHER PUBLICATIONS

Sougayilang Cooler Backpack, available at amazon.com, earliest date available Sep. 7, 2020 [online], site visited Aug. 29, 2022, available from the internet URL: <https://www.amazon.com/dp/B08HHZ46S1/> (Year: 2020).\*

Maelstrom Cooler Backpack, available at amazon.com, earliest date available Dec. 28, 2021 [online], site visited Aug. 29, 2022, available from the internet URL: <https://www.amazon.com/Maelstrom-Backpack-Leakproof-Insulated-Shopping/dp/B09P9T17RR/> (Year: 2021).\*

EVERFUN Cooler Backpack, available at amazon.com, earliest date available Feb. 26, 2022 [online], site visited Aug. 29, 2022, available from the internet URL: <https://www.amazon.com/dp/B09PHDDMC3/> (Year: 2022).\*

\* cited by examiner



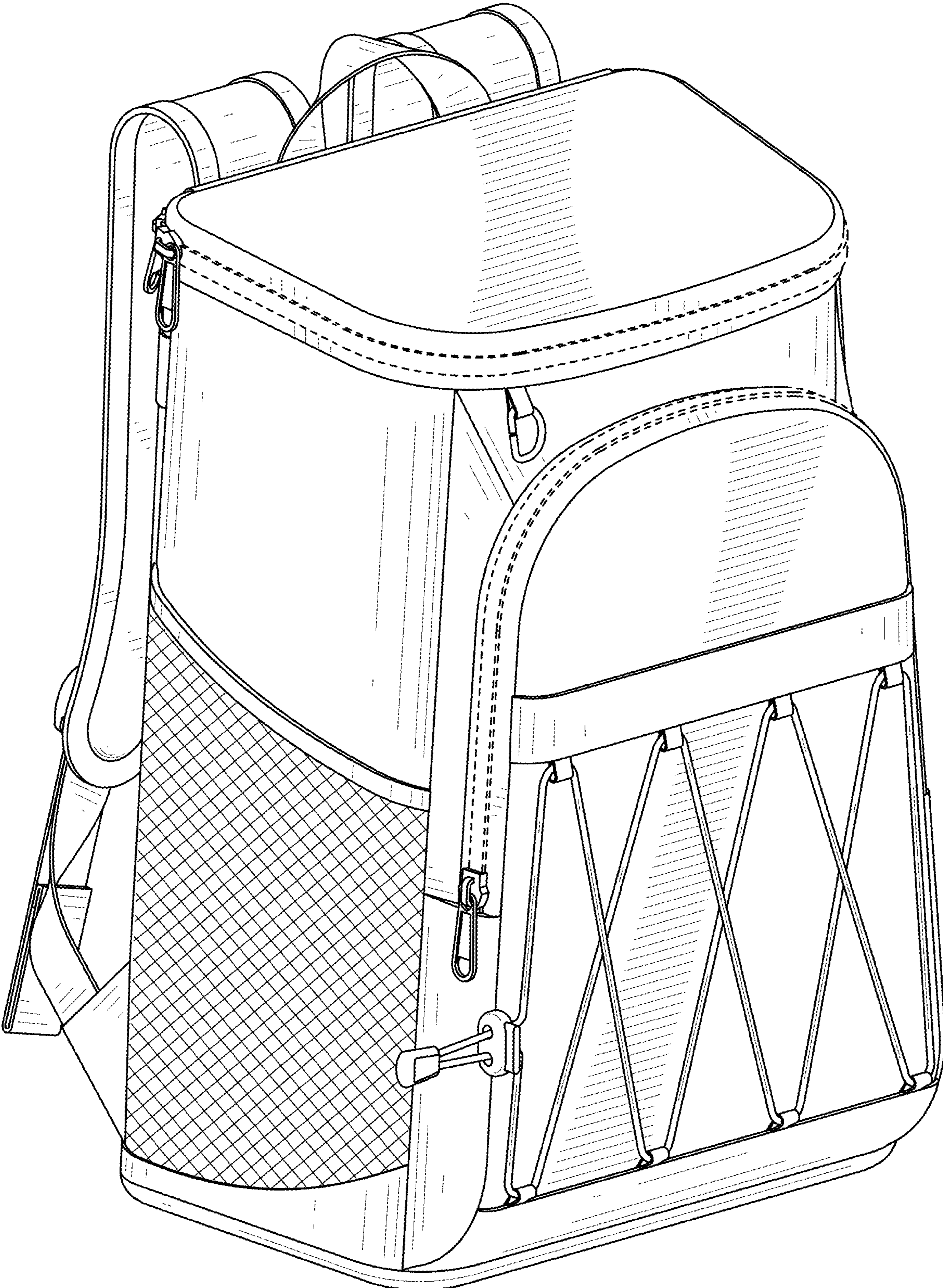


FIG. 1

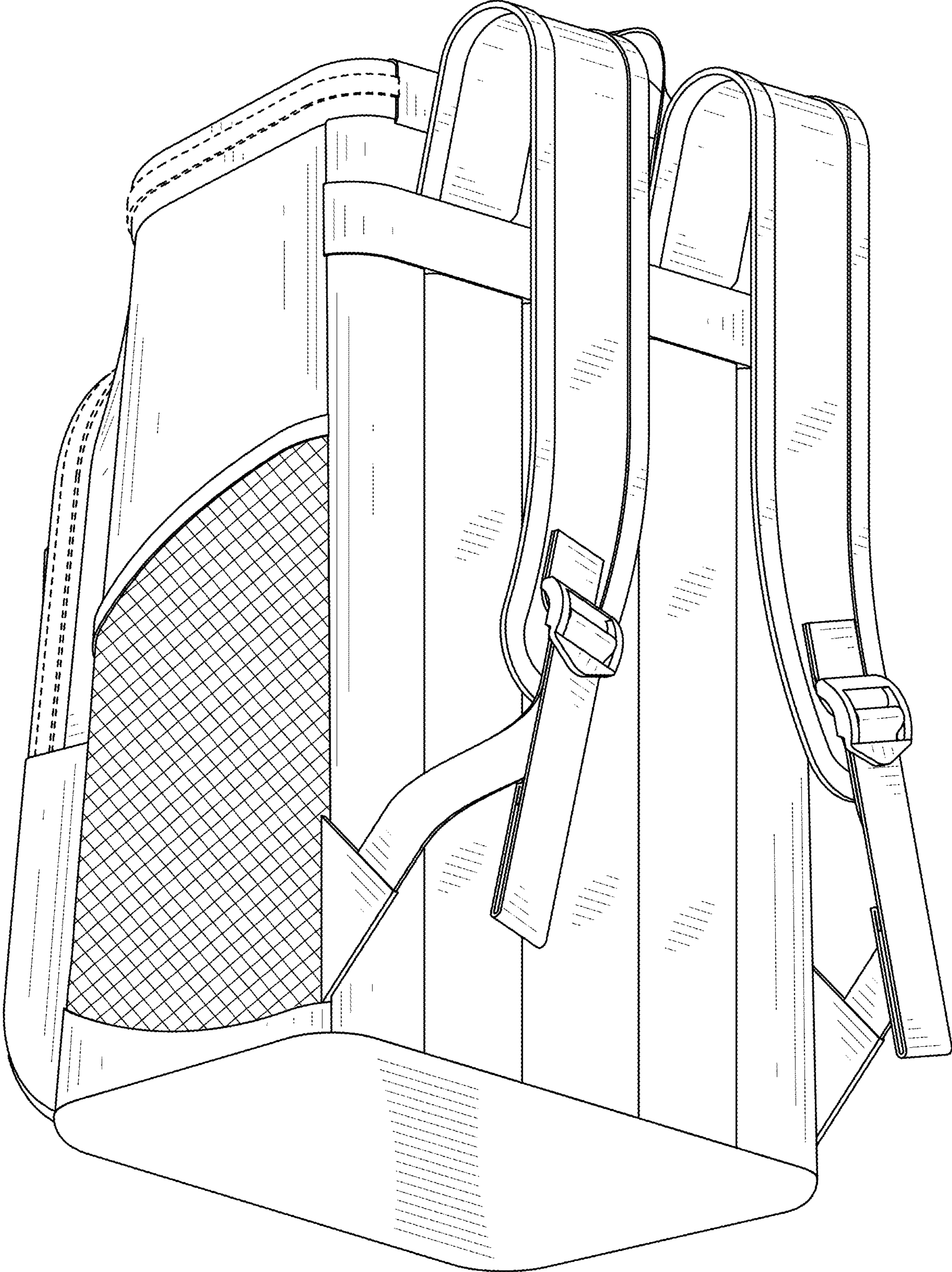


FIG. 2



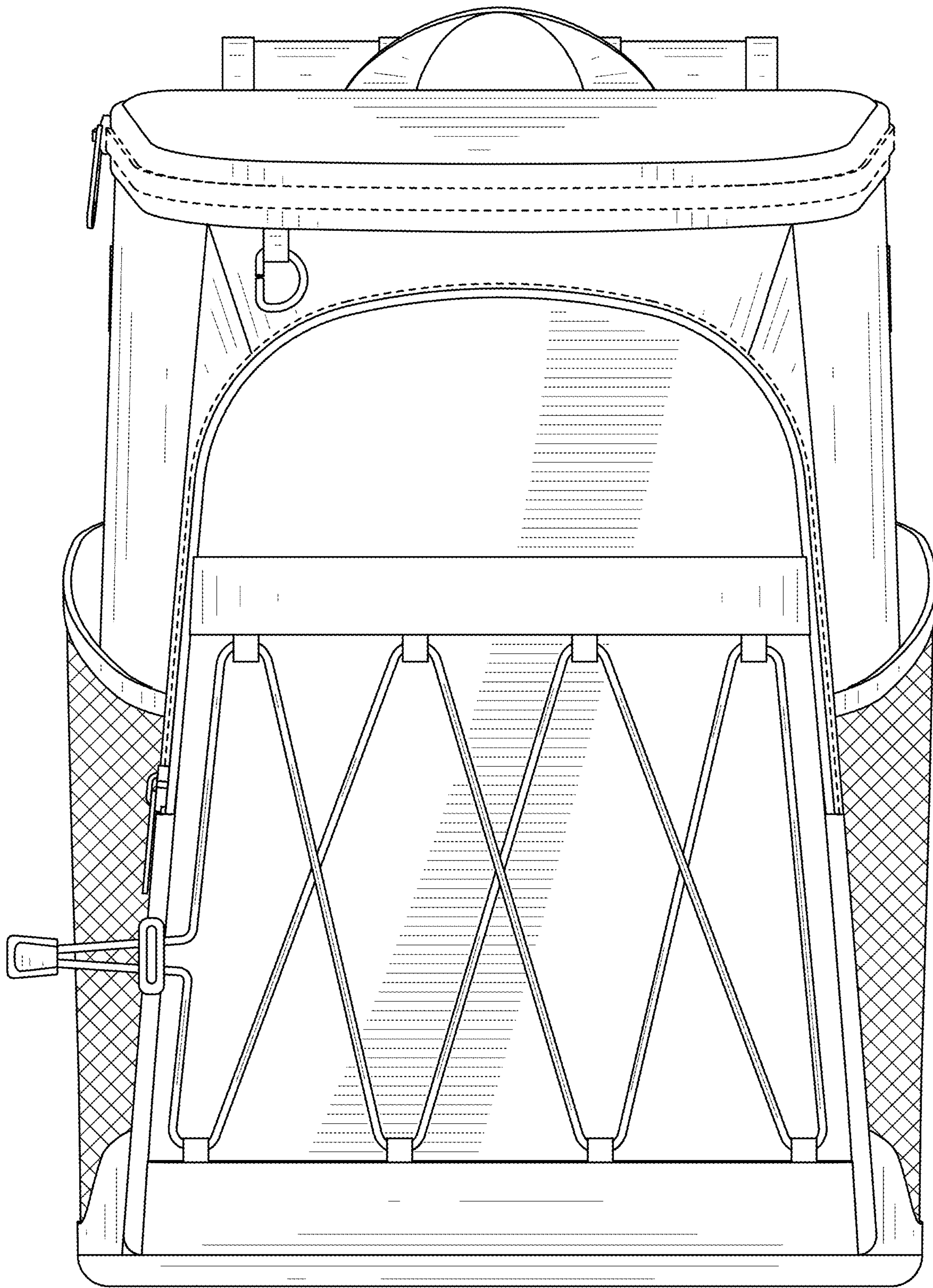


FIG. 3

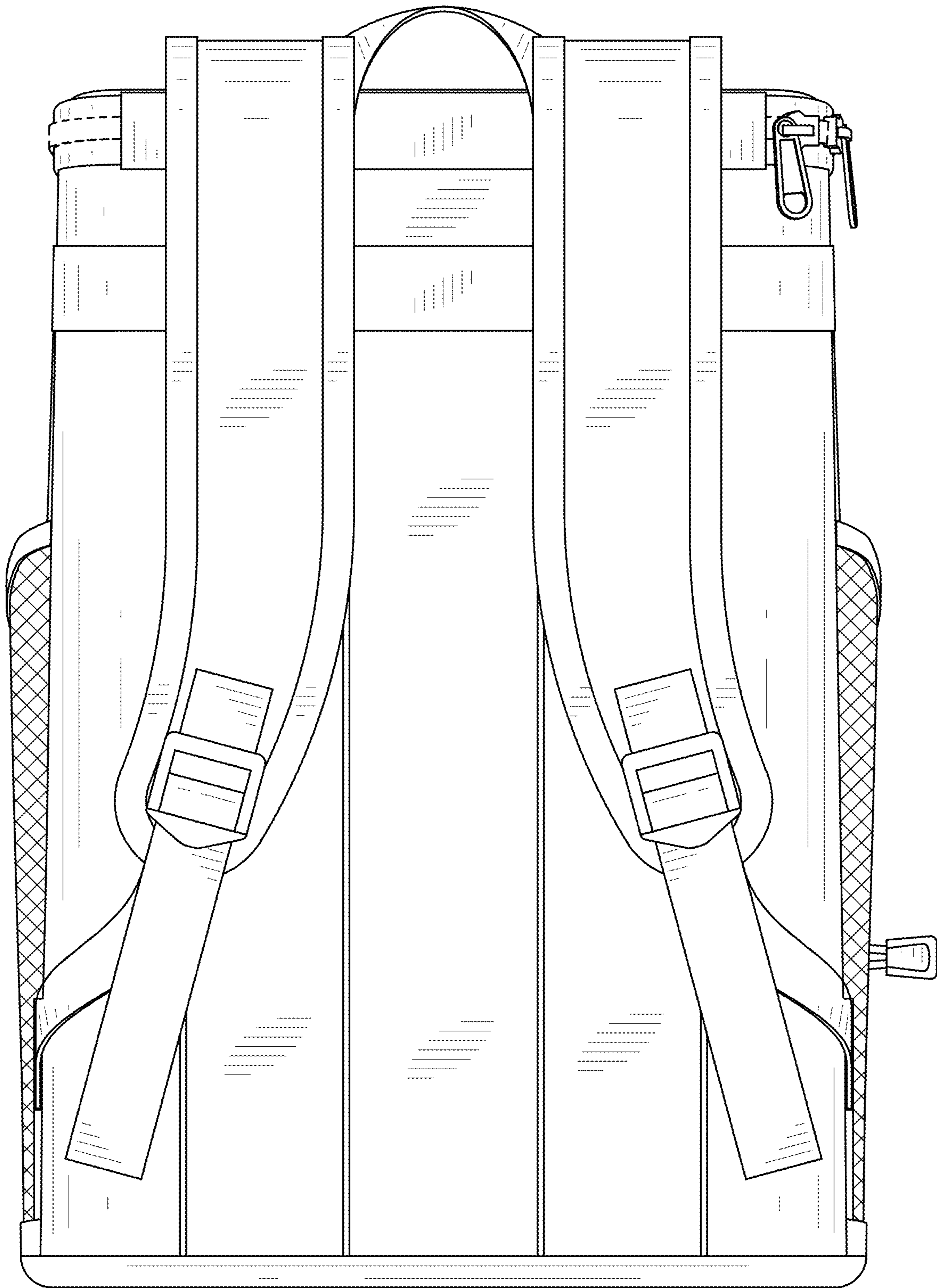


FIG. 4



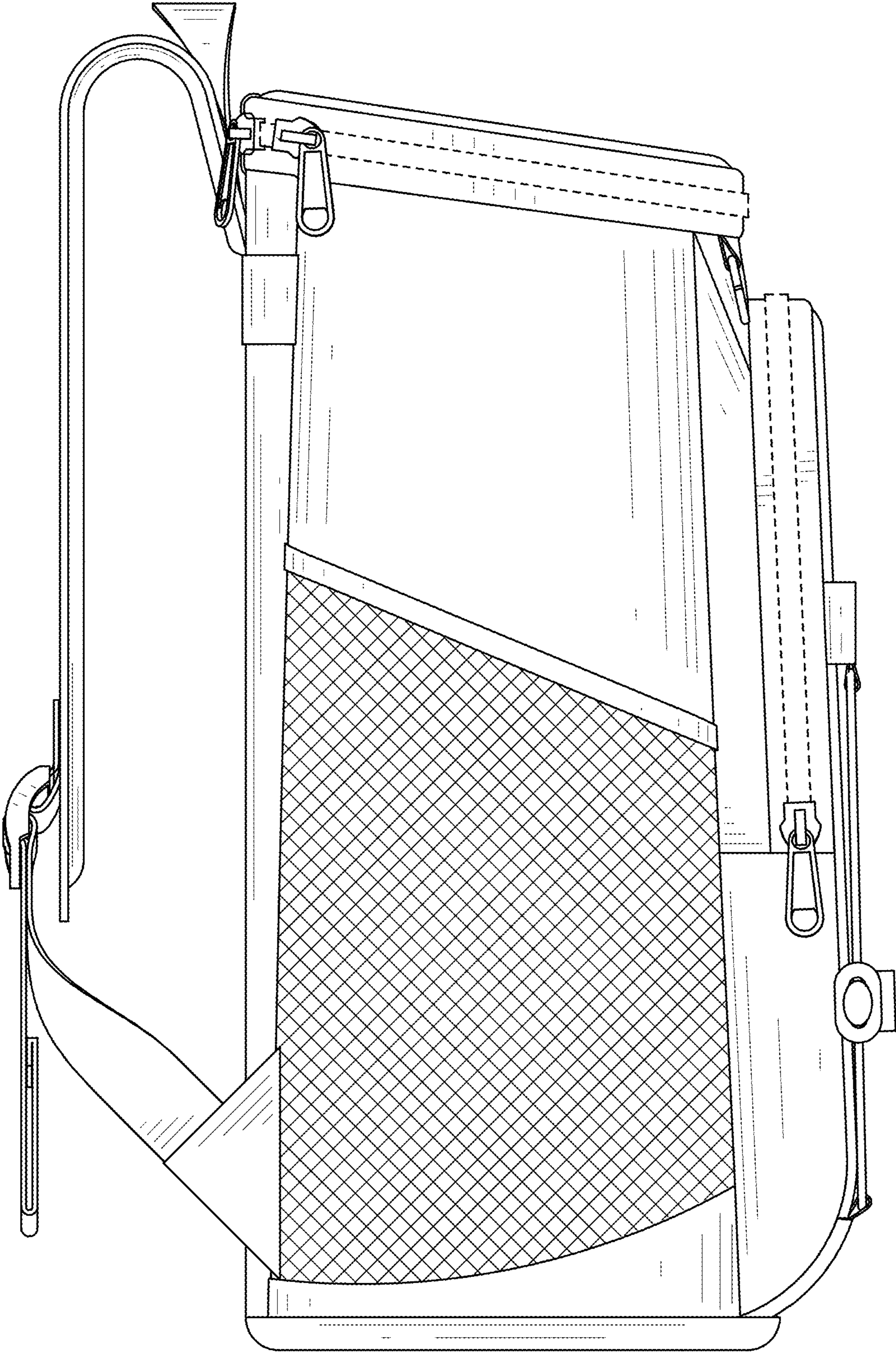


FIG. 5

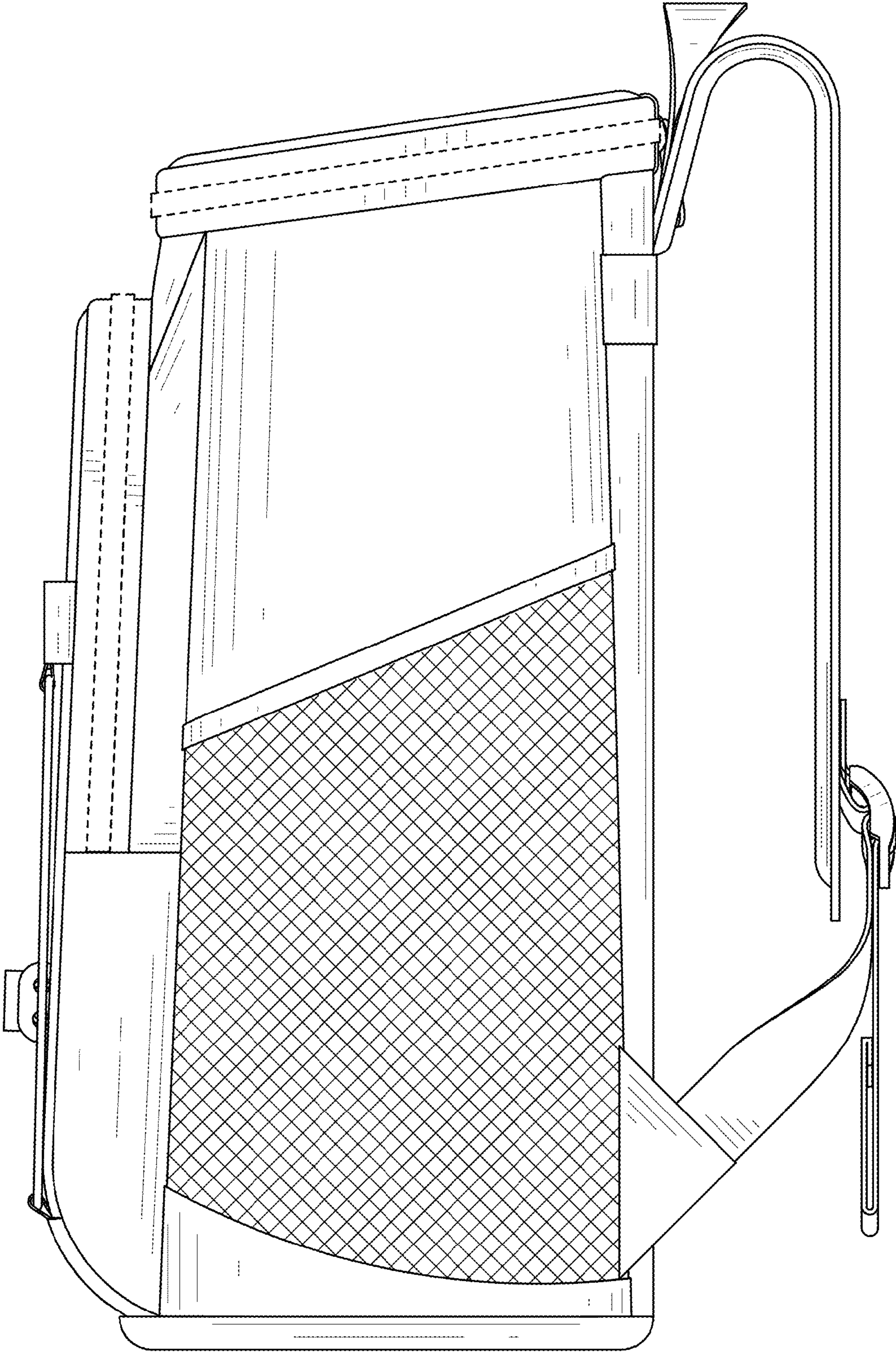


FIG. 6



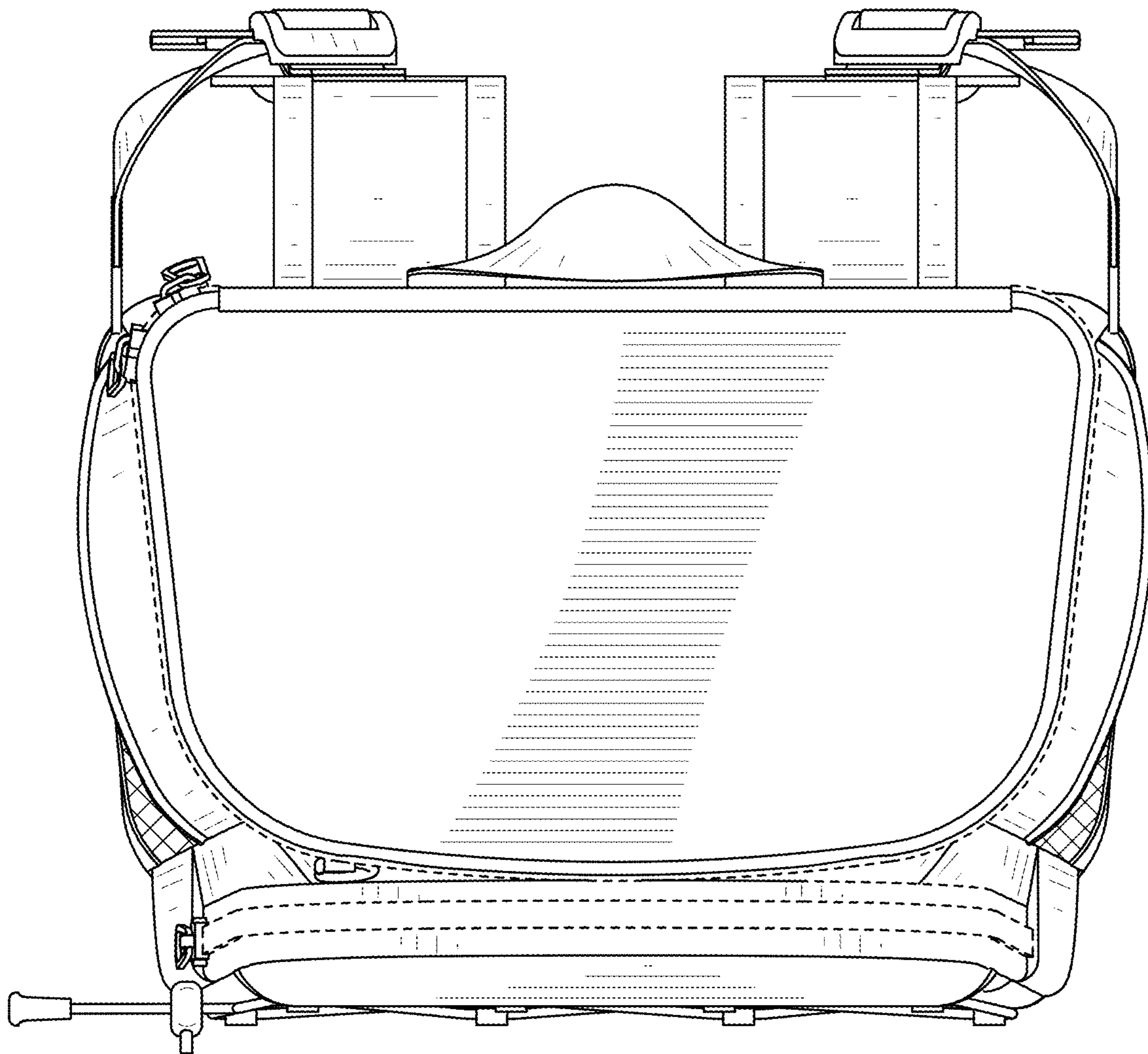


FIG. 7

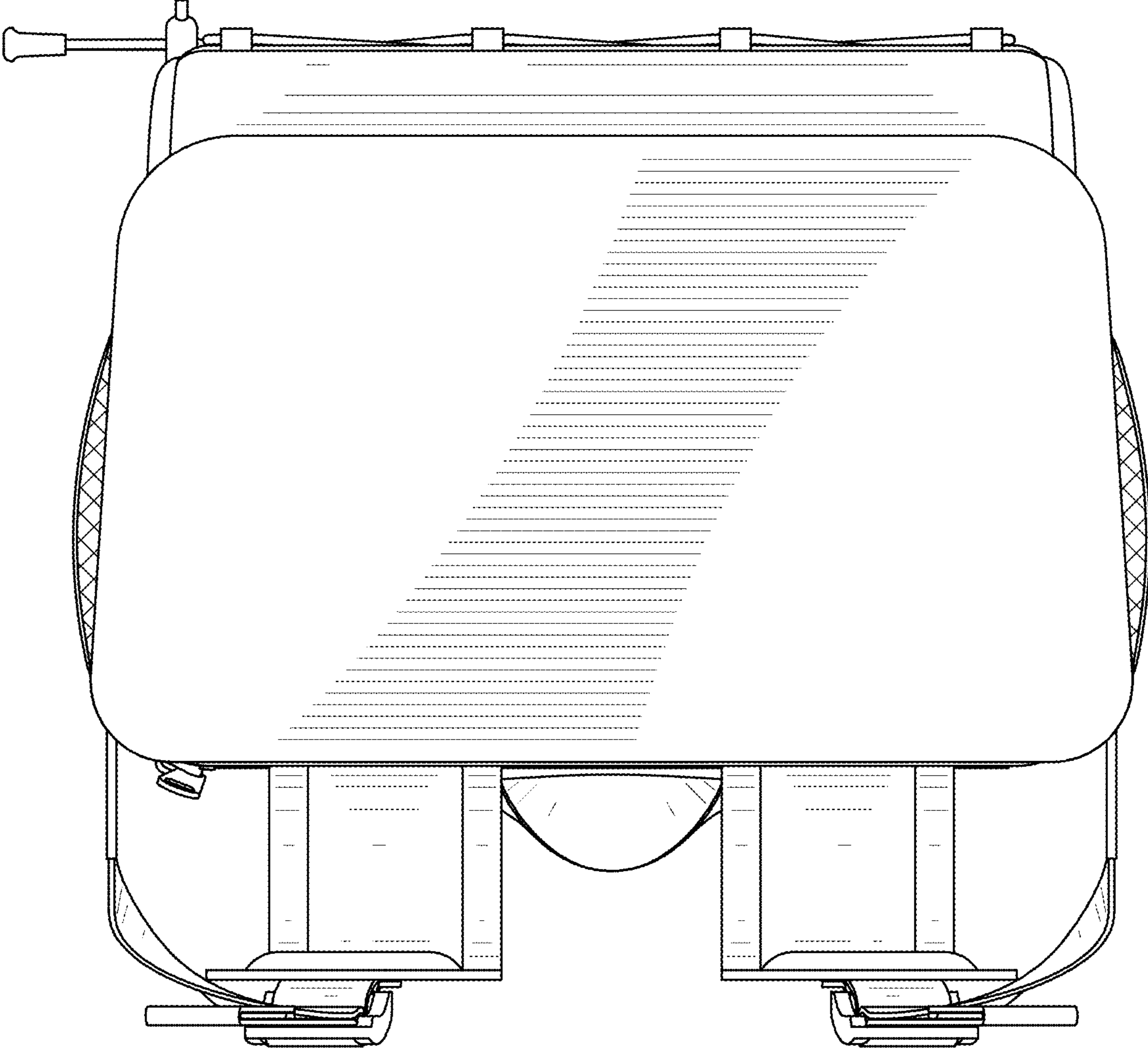


FIG. 8