



US00D968070S

(12) **United States Design Patent**
Russell

(10) **Patent No.:** **US D968,070 S**

(45) **Date of Patent:** **** Nov. 1, 2022**

(54) **CHILD WALKING ASSISTANCE DEVICE**

D738,592 S * 9/2015 Zabetian D2/745
D854,174 S * 7/2019 Anderson D24/192
10,383,456 B1 * 8/2019 Gyasi A47D 13/04

(71) Applicant: **Matthew Russell**, Levittown, PA (US)

* cited by examiner

(72) Inventor: **Matthew Russell**, Levittown, PA (US)

Primary Examiner — Michelle E. Wilson

(**) Term: **15 Years**

Assistant Examiner — Caitlin A Laverty

(21) Appl. No.: **29/652,183**

(74) *Attorney, Agent, or Firm* — Dunlap Bennett & Ludwig, PLLC

(22) Filed: **Jun. 5, 2020**

(57) **CLAIM**

(51) **LOC (13) Cl.** **03-05**

The ornamental design for a child walking assistance device, as shown and described.

(52) **U.S. Cl.**

DESCRIPTION

USPC **D3/7**

(58) **Field of Classification Search**

USPC D3/5, 7, 10–11, 17

CPC A47D 13/08

See application file for complete search history.

(56) **References Cited**

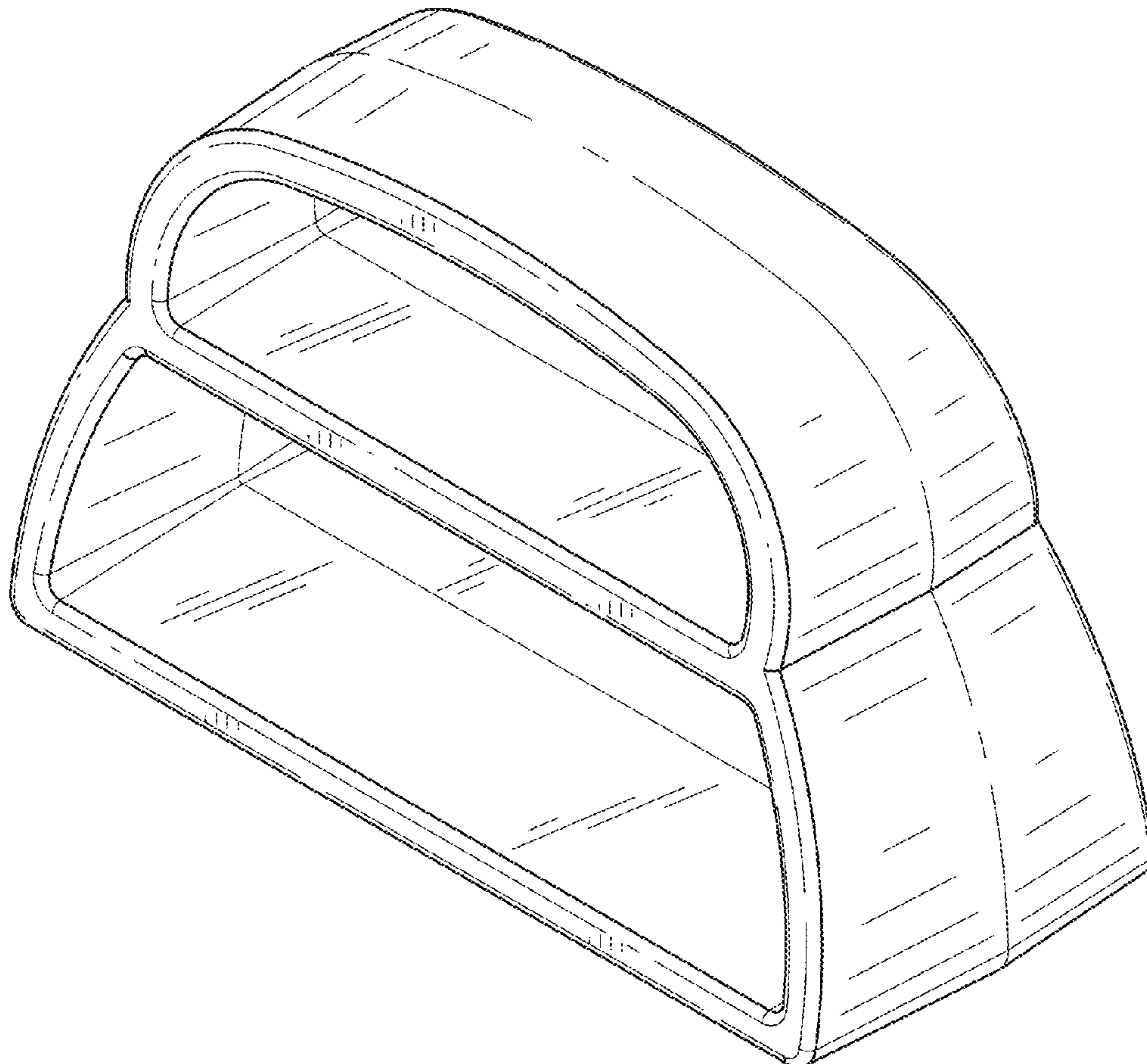
U.S. PATENT DOCUMENTS

4,907,972 A * 3/1990 Marolda G09B 19/00
482/69
D332,671 S * 1/1993 Borg D12/130
D360,855 S * 8/1995 Jameson D12/130
8,784,284 B1 * 7/2014 Smith A47D 13/08
482/121

FIG. 1 is a perspective view of a child walking assistance device, showing my new design;
FIG. 2 is a front elevation view thereof, the rear elevation view being a mirror image thereof;
FIG. 3 is a left-side elevation view thereof; the right-side elevation view being a mirror image thereof;
FIG. 4 is a top plan view thereof;
FIG. 5 is a bottom plan view thereof; and,
FIG. 6 is a reduced front view of the child walking assistance device shown in use in an environmental setting.

The broken lines show in FIG. 6 depict environmental subject matter that forms no part of the claimed design.

1 Claim, 4 Drawing Sheets



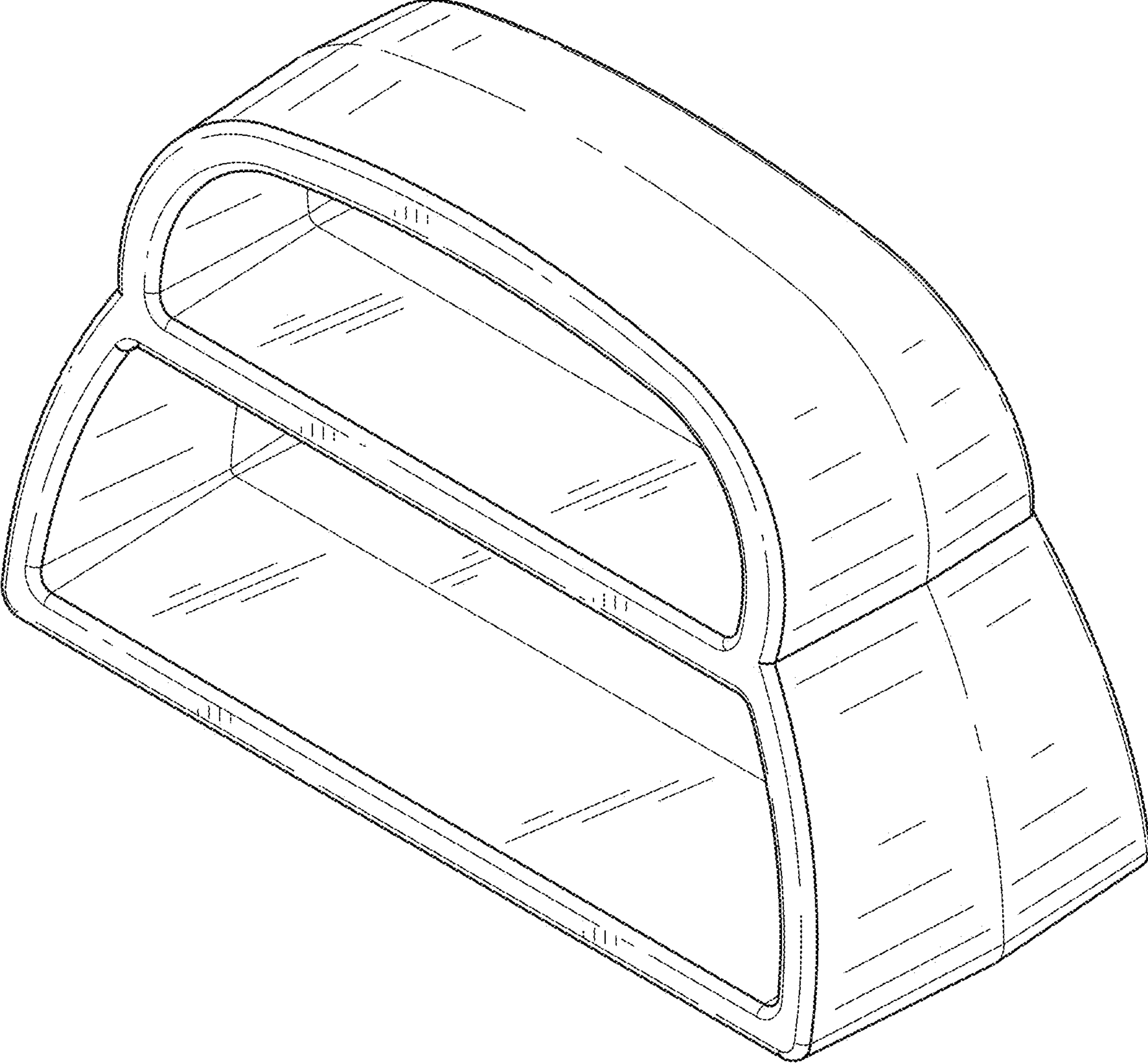


FIG. 1

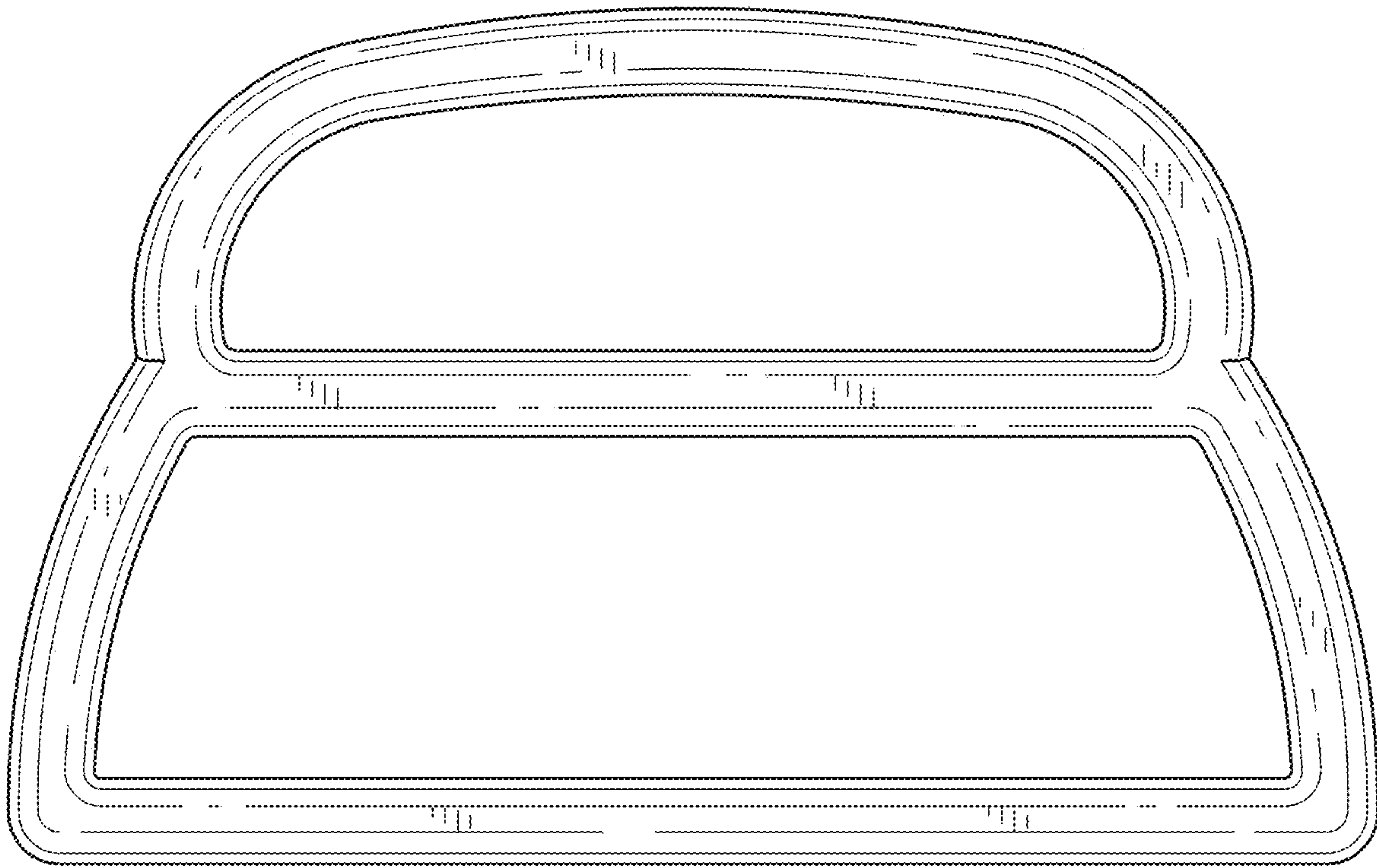


FIG. 2

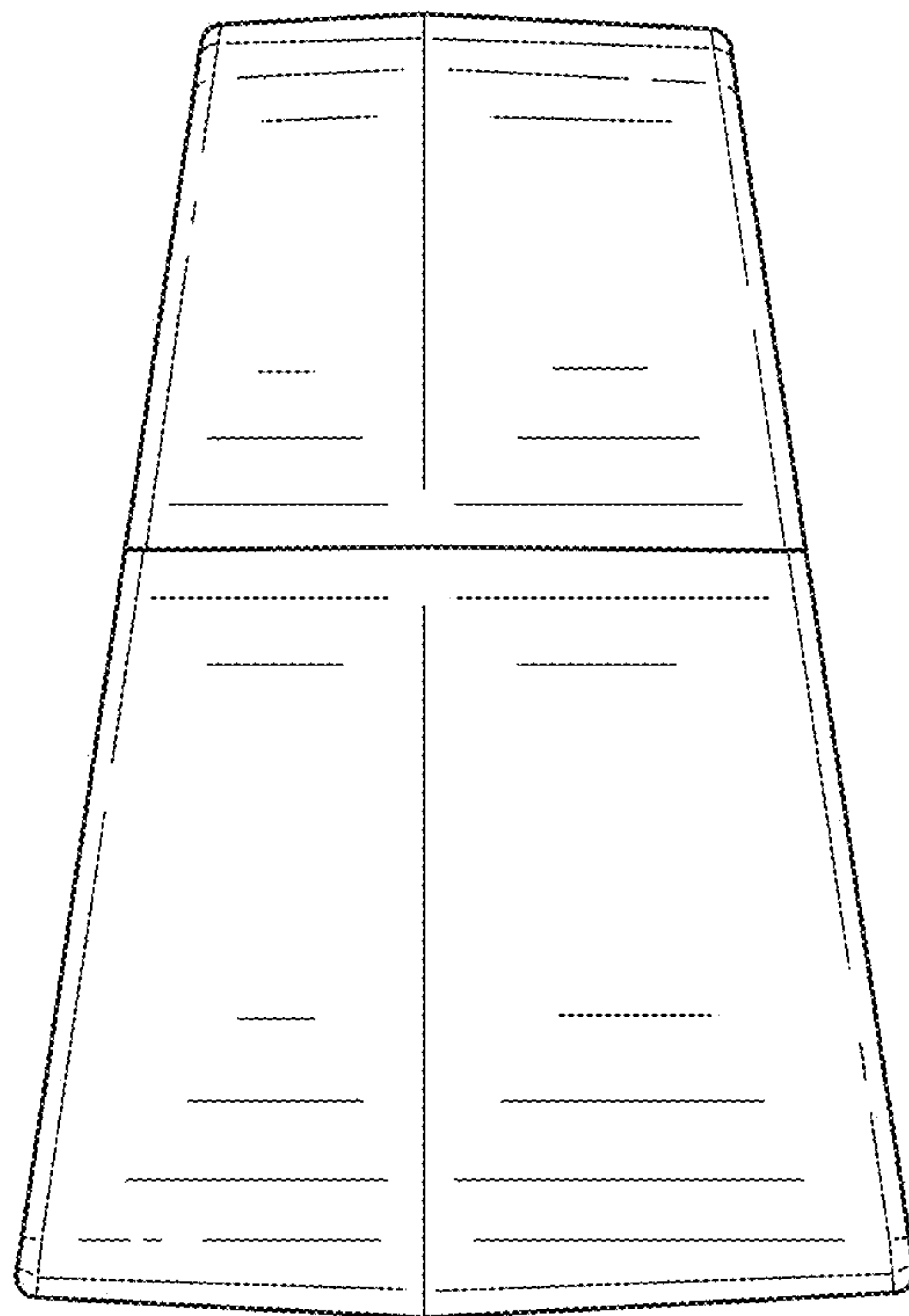


FIG. 3

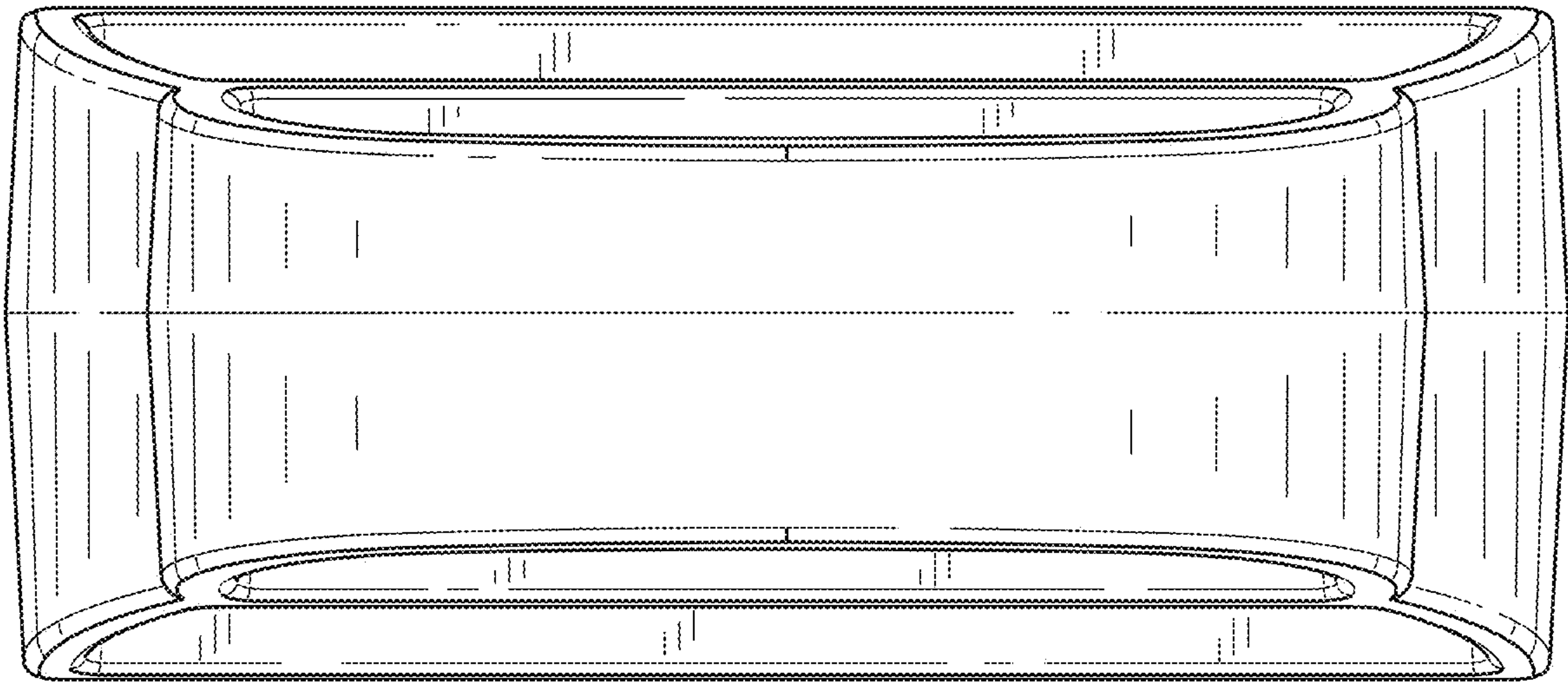


FIG. 4

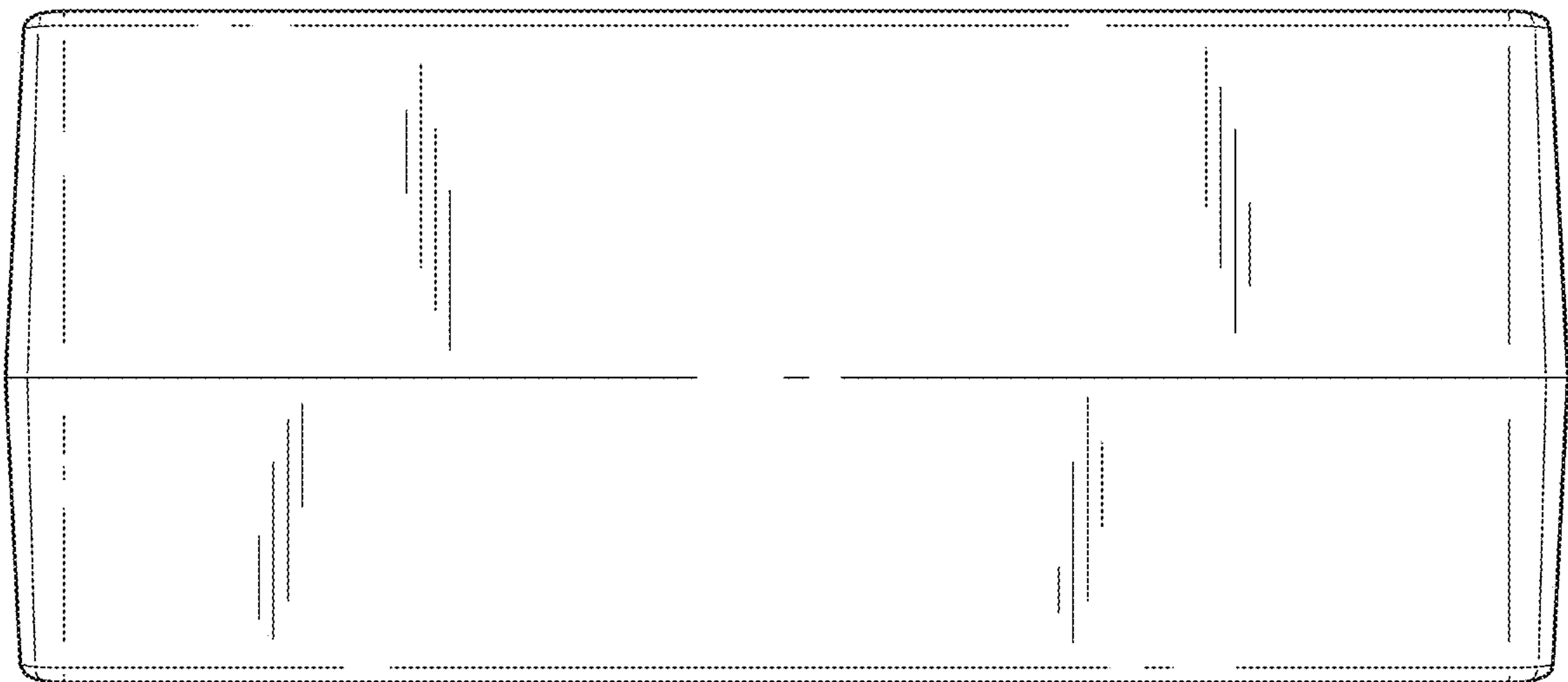


FIG. 5

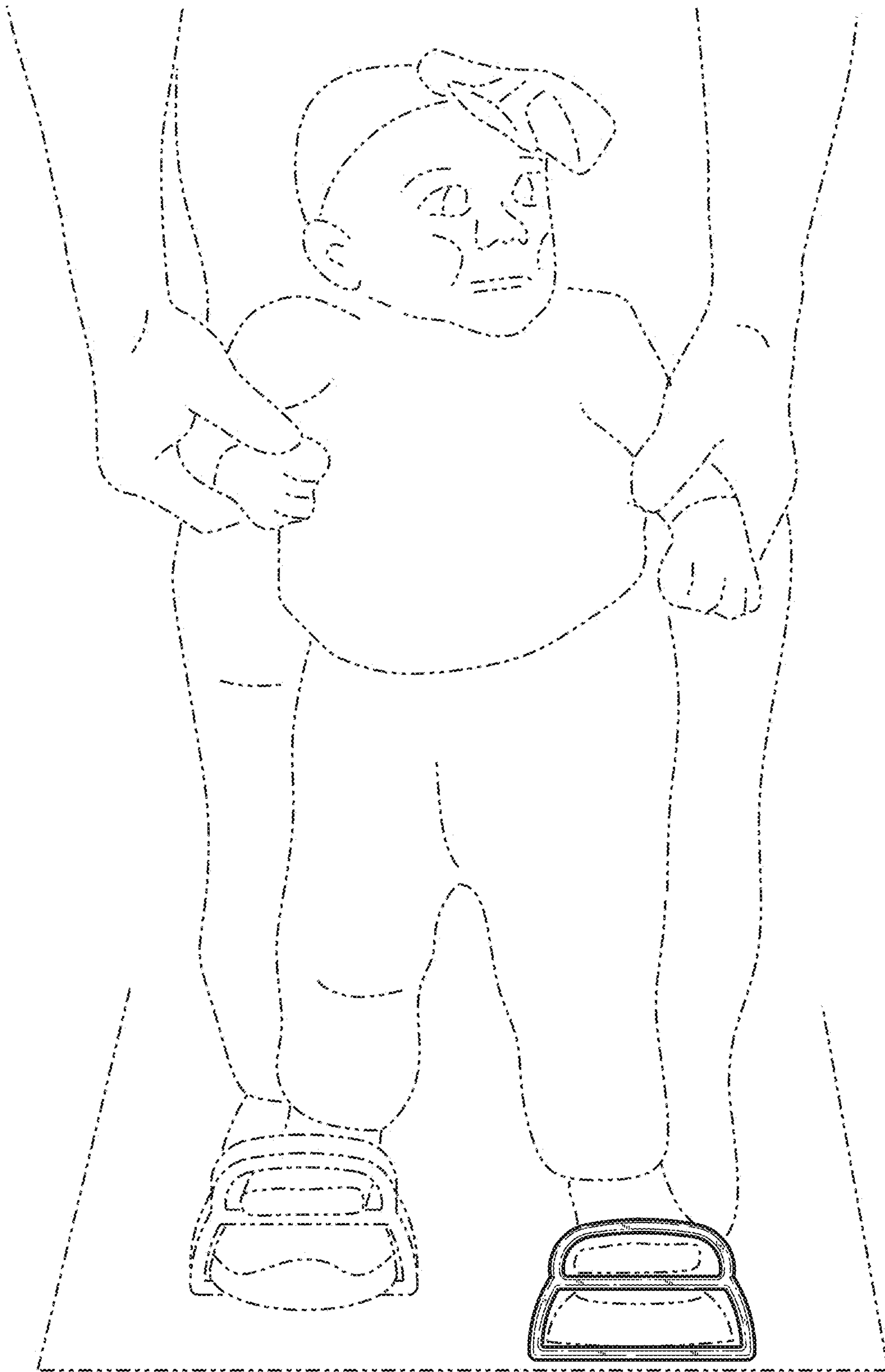


FIG. 6