



US00D968055S

(12) **United States Design Patent**
Gvasalia

(10) **Patent No.:** **US D968,055 S**

(45) **Date of Patent:** **** Nov. 1, 2022**

(54) **SHOE**

(71) Applicant: **BALENCIAGA**, Paris (FR)

(72) Inventor: **Demna Gvasalia**, Paris (FR)

(73) Assignee: **Balenciaga**, Paris (FR)

(**) Term: **15 Years**

(21) Appl. No.: **29/738,782**

(22) Filed: **Jun. 19, 2020**

(30) **Foreign Application Priority Data**

Dec. 20, 2019 (EM) 007439385-0002

(51) **LOC (13) Cl.** **02-04**

(52) **U.S. Cl.**
USPC **D2/902; D2/910**

(58) **Field of Classification Search**
USPC D2/896-901, 902-908, 909-915, 951,
D2/969, 970

CPC A43B 23/00; A43B 23/02; A43B 23/0215;
A43B 23/0235; A43B 23/0245; A43B
23/025; A43B 1/00; A43B 1/02; A43B
1/04; A43B 5/00; A43B 5/08; A43B 5/10
See application file for complete search history.

(56) **References Cited**

U.S. PATENT DOCUMENTS

- D600,434 S * 9/2009 Weber D2/969
- 8,701,232 B1 * 4/2014 Droege A43B 23/0205
12/142 R
- 9,498,023 B2 * 11/2016 Craig A43B 23/04
- D783,975 S * 4/2017 Schenone D2/969
- 9,681,704 B2 * 6/2017 Podhajny A43B 23/042
- 9,877,536 B2 * 1/2018 Huffman D04B 21/207
- 10,165,825 B2 * 1/2019 Langvin A43B 13/04
- 10,299,531 B2 * 5/2019 Zavala A43B 23/0245
- D855,949 S * 8/2019 Sassi D2/902
- D857,346 S * 8/2019 Taylor D2/902

- D869,829 S * 12/2019 Sassi D2/929
- 10,524,542 B2 * 1/2020 Avar A43B 23/08
- D879,415 S * 3/2020 Sassi D2/902
- D879,416 S * 3/2020 Sassi D2/902
- D880,818 S * 4/2020 Eugene D2/902
- D883,617 S * 5/2020 Spring D2/902
- D923,300 S * 6/2021 Brunner D2/947

(Continued)

OTHER PUBLICATIONS

Eric Brain, Balenciaga Unveils Redesigned, Ergonomic Speed 2.0 Trainer, announced Jul. 15, 2020 [online], [site visited Nov. 29, 2021]. Available from internet, URL: <https://hypebeast.com/2020/7/balenciaga-speed-2-0-sneaker-sock-design-release-information-demna-gvasalia> (Year: 2020).*

Primary Examiner — Leanne Was-Englehart

Assistant Examiner — Yelizaveta Y Masalimova

(74) *Attorney, Agent, or Firm* — Rothwell, Figg, Ernst & Manbeck, P.C.

(57) **CLAIM**

The ornamental design for a shoe, as shown and described.

DESCRIPTION

FIG. 1 is a left side perspective view of a shoe showing my new design;

FIG. 2 is a front view thereof;

FIG. 3 is a rear view thereof;

FIG. 4 is a right side view thereof;

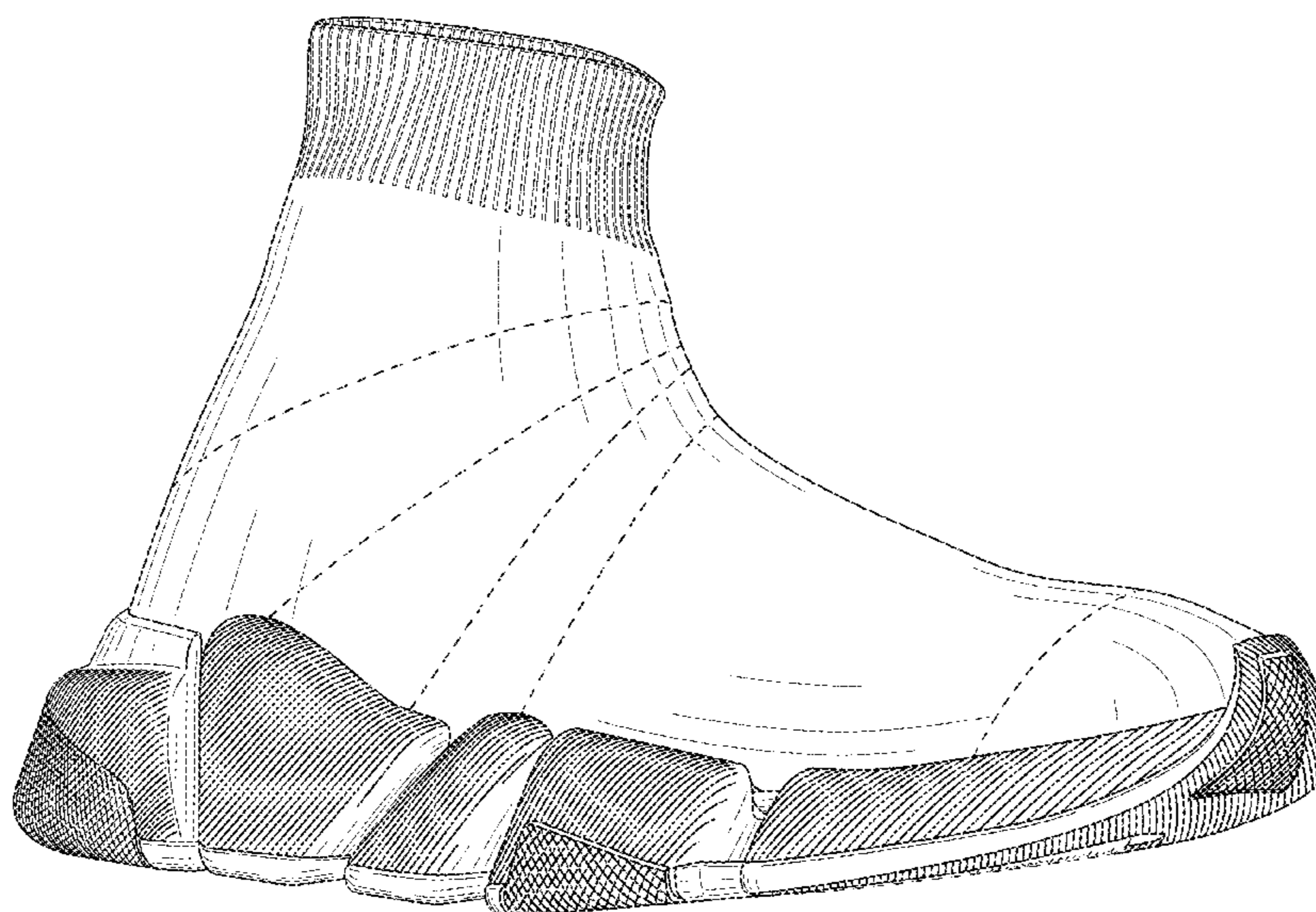
FIG. 5 is a left side view thereof;

FIG. 6 is a top view thereof; and,

FIG. 7 is a bottom view thereof.

The portions of the bottom of the sole of the shoe shown in even-dashed broken lines in FIGS. 1, 2, and 7 form no part of the claimed design. The portions of the shoe that are not on the bottom of the sole of the shoe and are shown in even-dashed broken lines in FIGS. 1-6 represent thread stitching and do form a part of the claimed design.

1 Claim, 7 Drawing Sheets



(56)

References Cited

U.S. PATENT DOCUMENTS

11,103,028 B2 * 8/2021 Bruce D04C 3/08
2014/0338226 A1 * 11/2014 Zavala A43B 23/0205
36/84

* cited by examiner

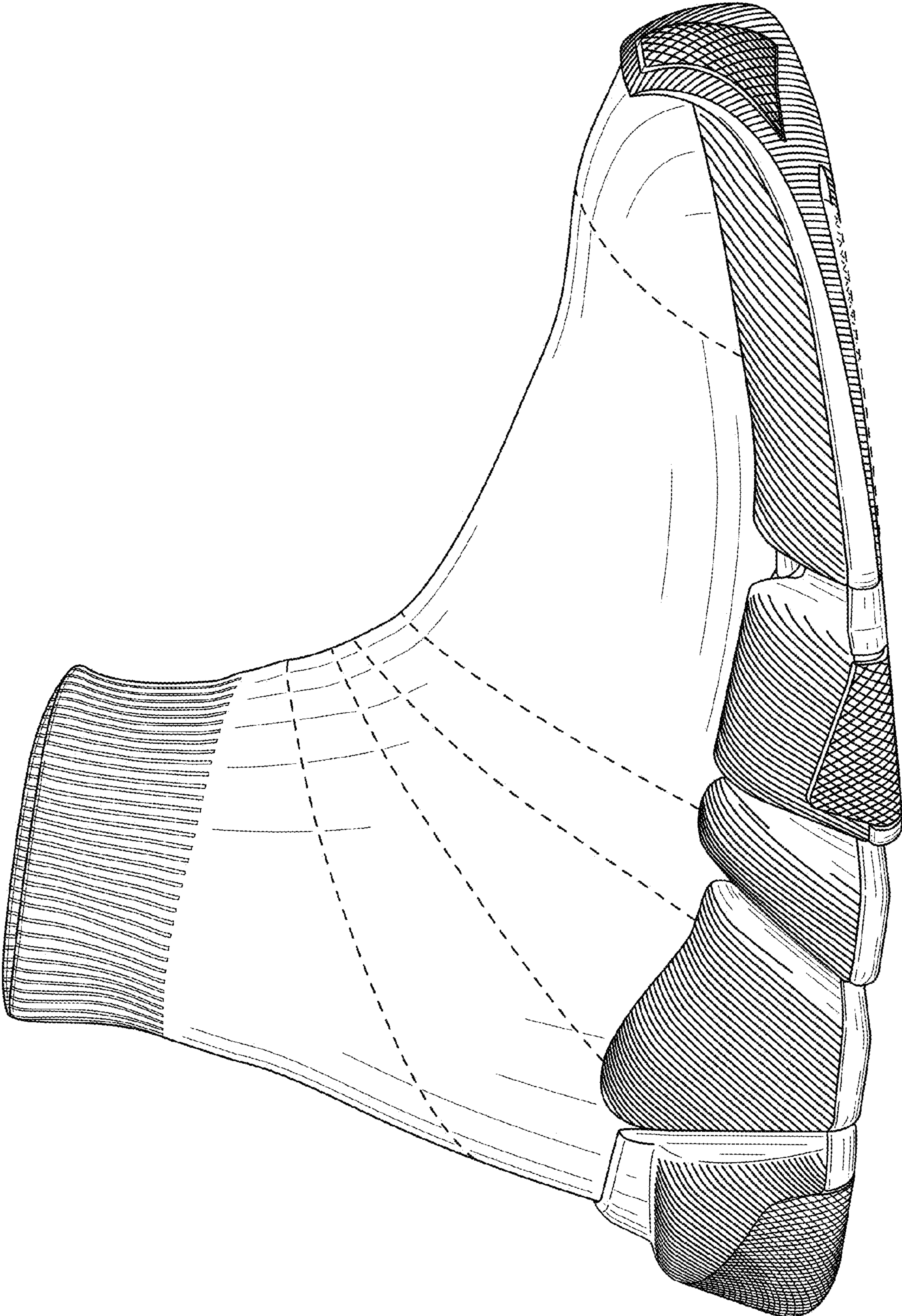


FIG. 1

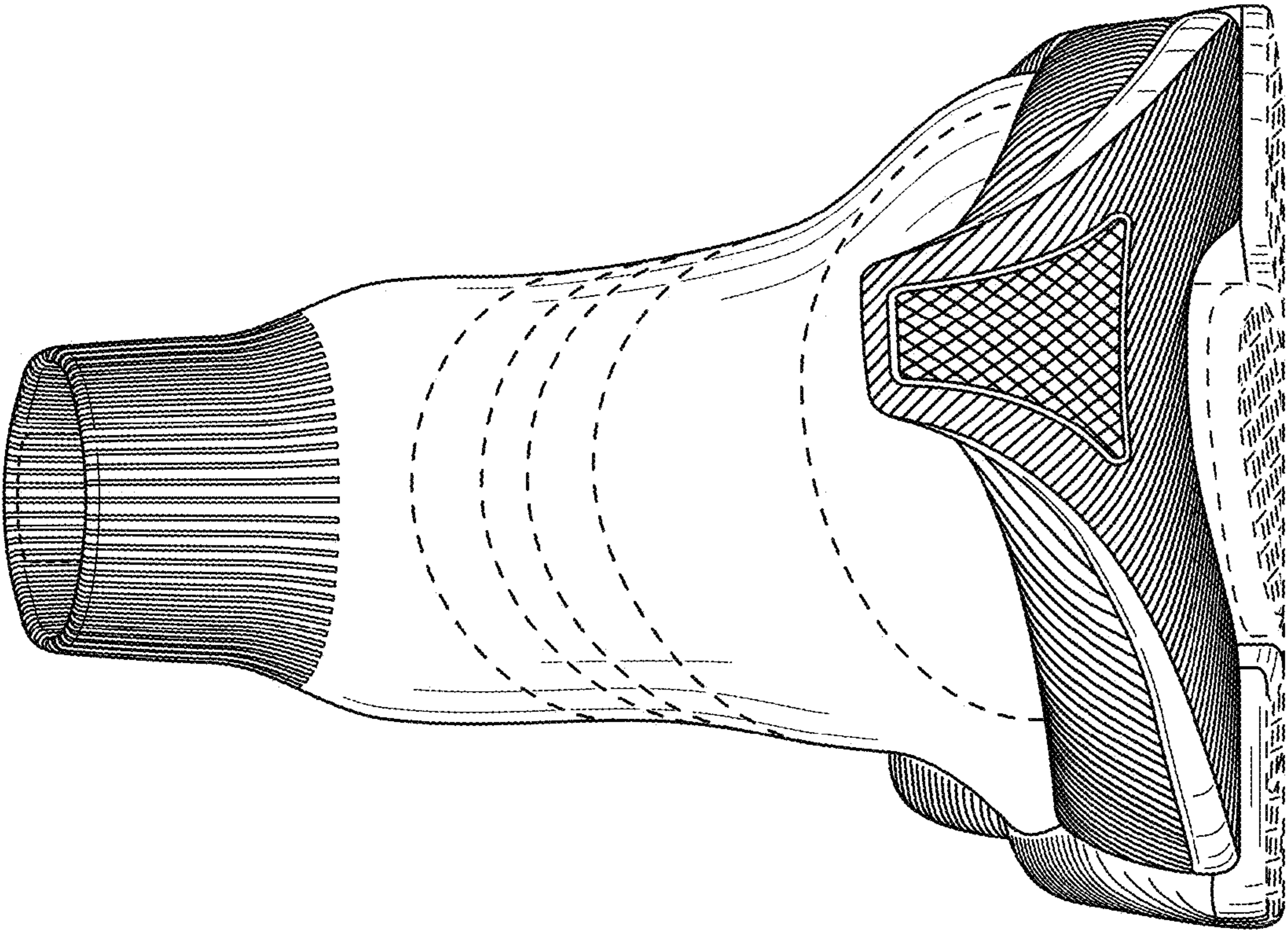


FIG. 2

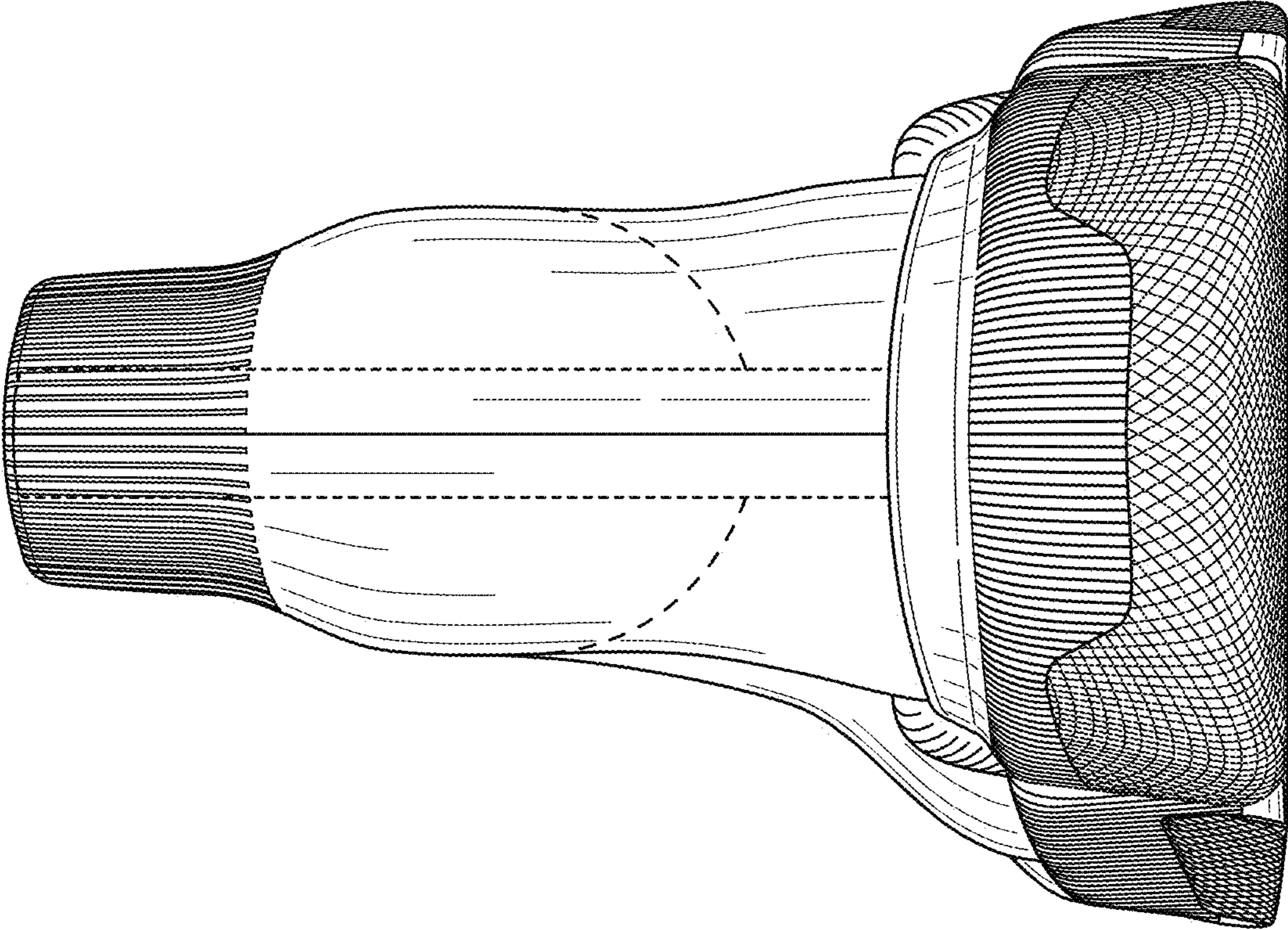


FIG. 3

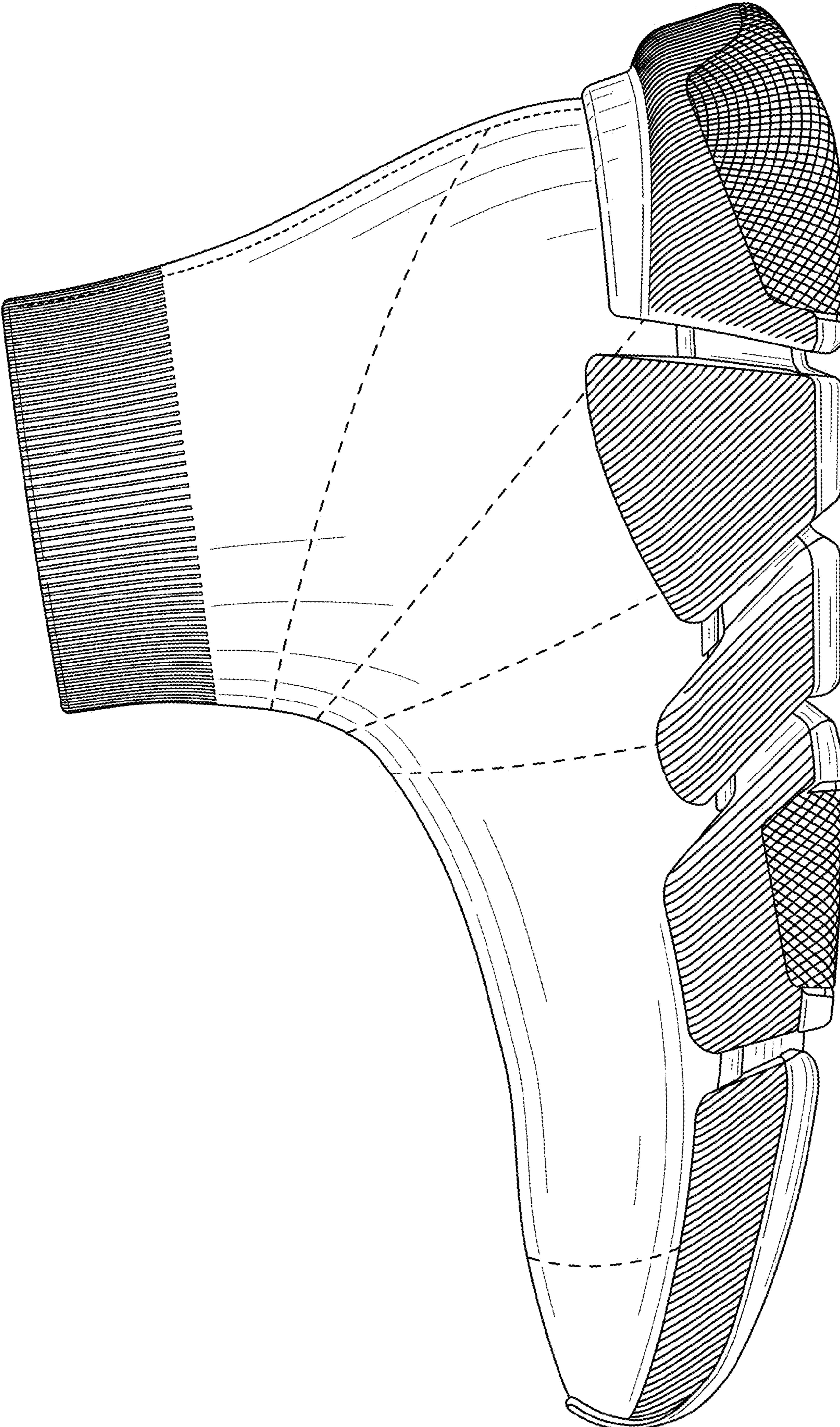


FIG. 4

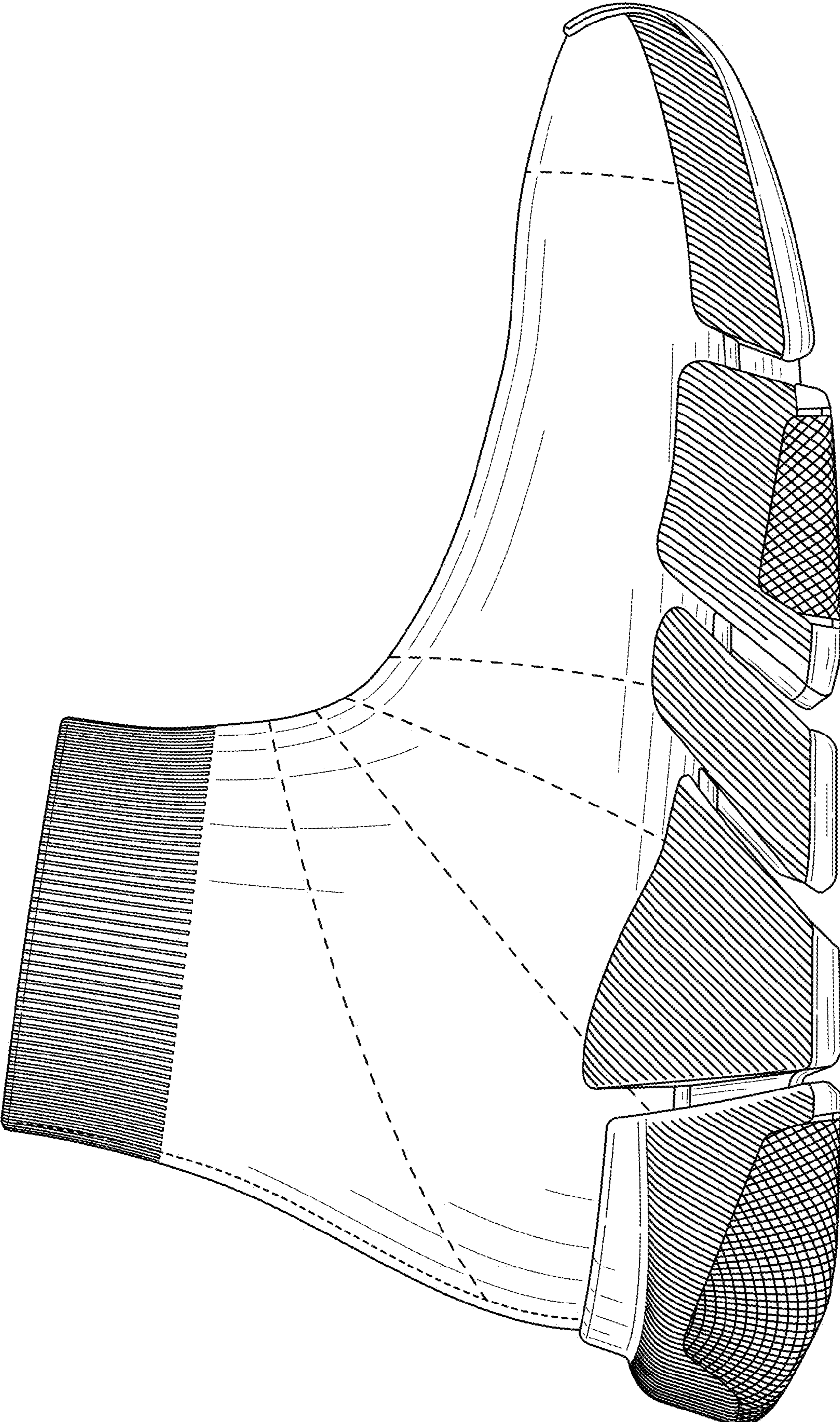


FIG. 5

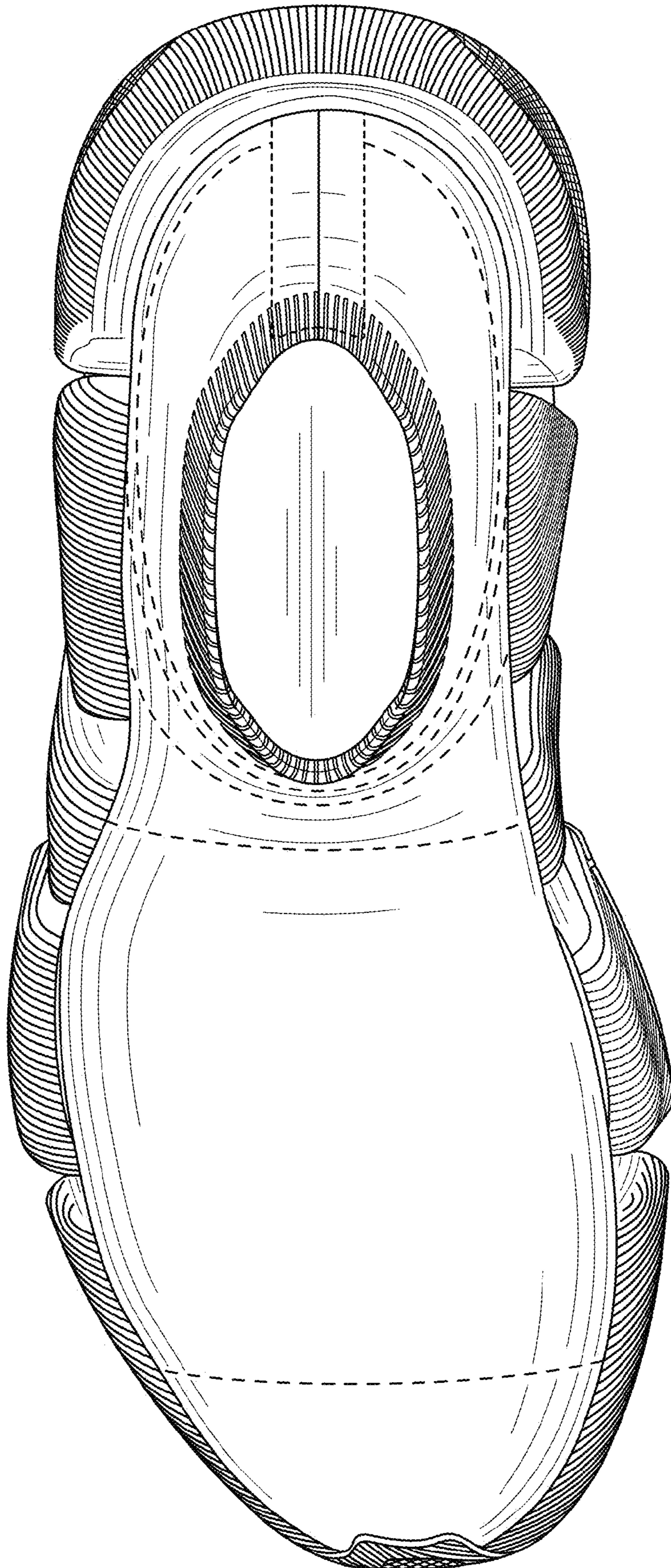


FIG. 6

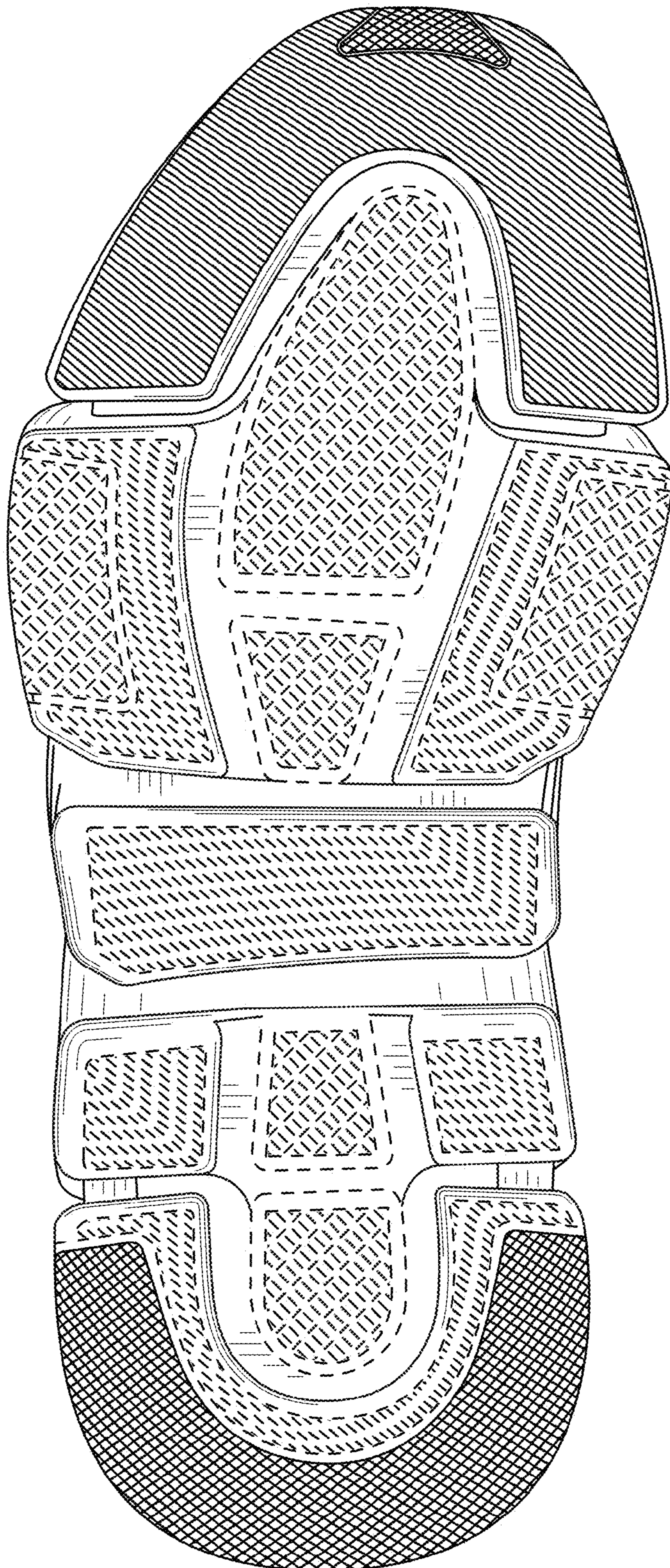


FIG. 7