



US00D968045S

(12) **United States Design Patent**
Chen

(10) **Patent No.:** **US D968,045 S**

(45) **Date of Patent:** **** Oct. 25, 2022**

(54) **MANUAL LINT REMOVER**

(56) **References Cited**

(71) Applicant: **SHANGHAI SUKE NEW MATERIAL CO., LTD**, Shanghai (CN)

(72) Inventor: **Linjuan Chen**, Shanghai (CN)

(73) Assignee: **SHANGHAI SUKE NEW MATERIAL CO., LTD**, Shanghai (CN)

U.S. PATENT DOCUMENTS

3,742,547	A *	7/1973	Sohmer	A47L 25/005
					15/144.3
3,847,151	A *	11/1974	D'Alessandro	A61M 35/006
					401/133
D342,290	S *	12/1993	Betzold-Wiley	D4/122
D354,623	S *	1/1995	Baker	D4/100
D396,906	S *	8/1998	Medici	D4/122

(Continued)

FOREIGN PATENT DOCUMENTS

GB	6207343	*	5/2022
GB	6212414	*	6/2022

(**) Term: **15 Years**

Primary Examiner — Rebekah A Caruso

(21) Appl. No.: **29/814,742**

(22) Filed: **Nov. 9, 2021**

(57) **CLAIM**

(51) **LOC (13) Cl.** **07-05**

The ornamental design for a manual lint remover, as shown and described.

(52) **U.S. Cl.**
USPC **D32/52; D4/118**

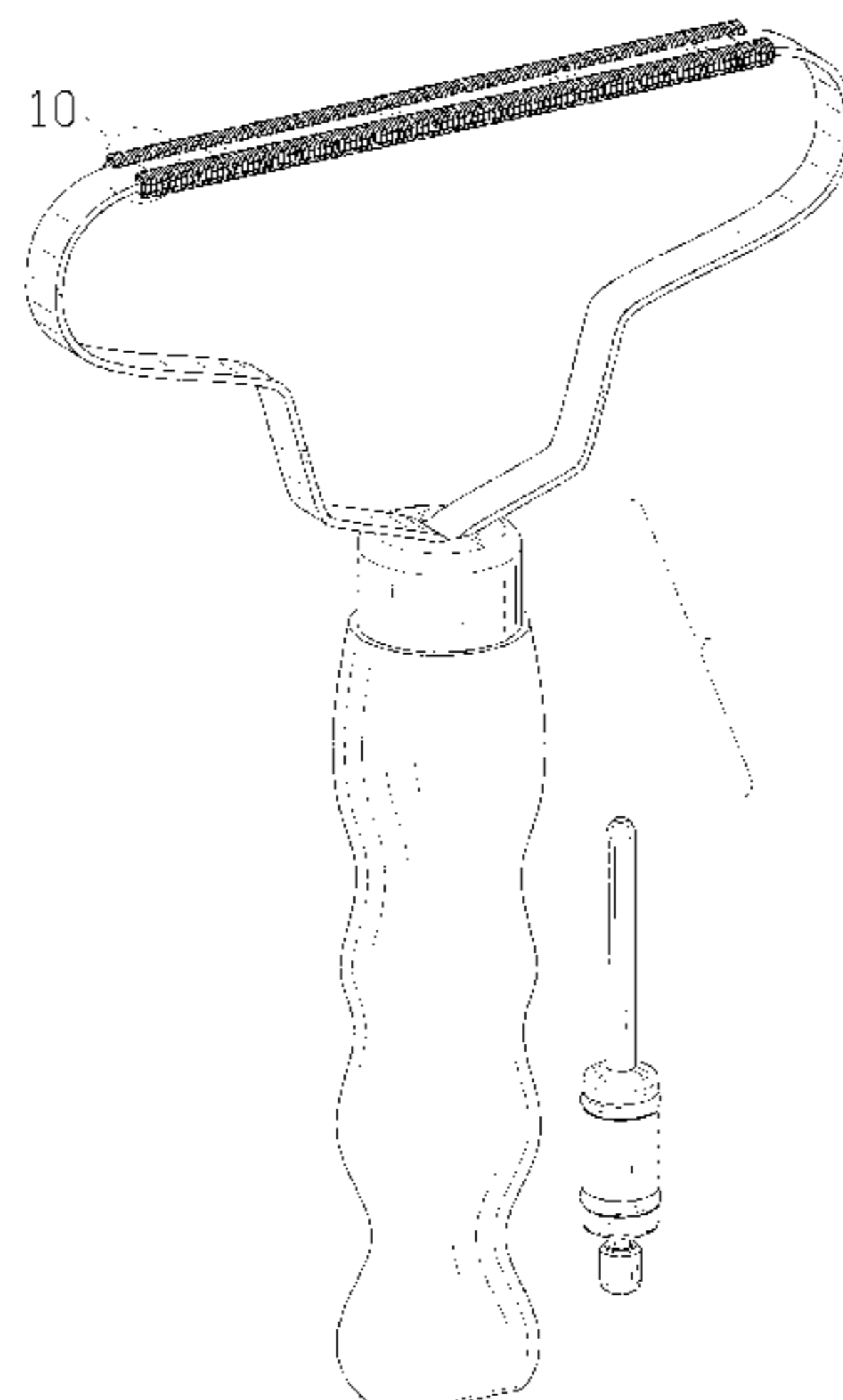
(58) **Field of Classification Search**
 USPC D4/114–115, 116–118, 121–122, D4/127–128, 130–135, 136–138; D28/7, D28/45, 50, 76; D32/15, 40–42, 46, 52, D32/72, 74
 CPC A46B 5/02; A46B 5/021; A46B 5/023; A46B 5/025; A46B 5/026; A46B 7/06; A46B 7/10; A46B 11/00; A46B 11/0037; A47J 45/00; A47J 45/06; A47J 45/061; A47J 45/07; A47J 45/071; B25G 1/00; B25G 1/005; B25G 1/10; B25G 1/102; B25G 1/105; B26B 1/10; Y10S 16/12; Y10S 16/19; Y10T 16/446; Y10T 16/469; Y10T 16/476; B08B 1/00; B08B 1/04; B08B 7/0028; B05C 17/02; B05C 17/0205; B05C 17/0217; B05C 17/0222; B05C 17/0225; A47L 25/00; A47L 25/005; A47L 25/08

DESCRIPTION

FIG. 1 is a perspective view of a manual lint remover showing my new design;
 FIG. 2 is another perspective view thereof;
 FIG. 3 is a front elevational view thereof;
 FIG. 4 is a rear elevational view thereof;
 FIG. 5 is a left side elevational view thereof;
 FIG. 6 is a right side elevational view thereof;
 FIG. 7 is a top plan view thereof;
 FIG. 8 is a bottom plan view thereof.
 FIG. 9 is a perspective view of the manual lint remover where the manual lint remover is in a configuration of use; and,
 FIG. 10 is an enlarged view of portion 10 shown in FIG. 1. The dash-dash broken lines in the drawings depict portions of the manual lint remover that form no part of the claimed

See application file for complete search history.

(Continued)



design. The dot-dash broken lines represent boundaries of the enlarged portion and form no part of the claimed design.

1 Claim, 10 Drawing Sheets

(56)

References Cited

U.S. PATENT DOCUMENTS

6,141,821	A *	11/2000	Chin	B05C 17/023
					D4/122
D447,301	S *	8/2001	Adair	D32/42
D449,909	S *	10/2001	Randolph	D4/138
D542,492	S *	5/2007	Chang	D32/52
7,404,228	B2 *	7/2008	Hodges	B05C 17/0217
					492/19
D616,650	S *	6/2010	Saadian	D4/122
D638,222	S *	5/2011	Molinet	D4/122
D677,469	S *	3/2013	Seehoff	D4/122
D678,611	S	3/2013	Hsu		
D696,826	S *	12/2013	Seehoff	D4/138
D819,977	S *	6/2018	Zemel	D4/131
D889,851	S *	7/2020	Lei	D4/118
10,874,207	B1 *	12/2020	Wengreen	A46B 9/005
D911,609	S	2/2021	Li		
2016/0120392	A1 *	5/2016	Jang	A47L 25/08
					15/104.002
2019/0009299	A1 *	1/2019	Thalacker	B05C 17/024
2019/0246783	A1 *	8/2019	Allen-Gipson	A46B 13/02

* cited by examiner

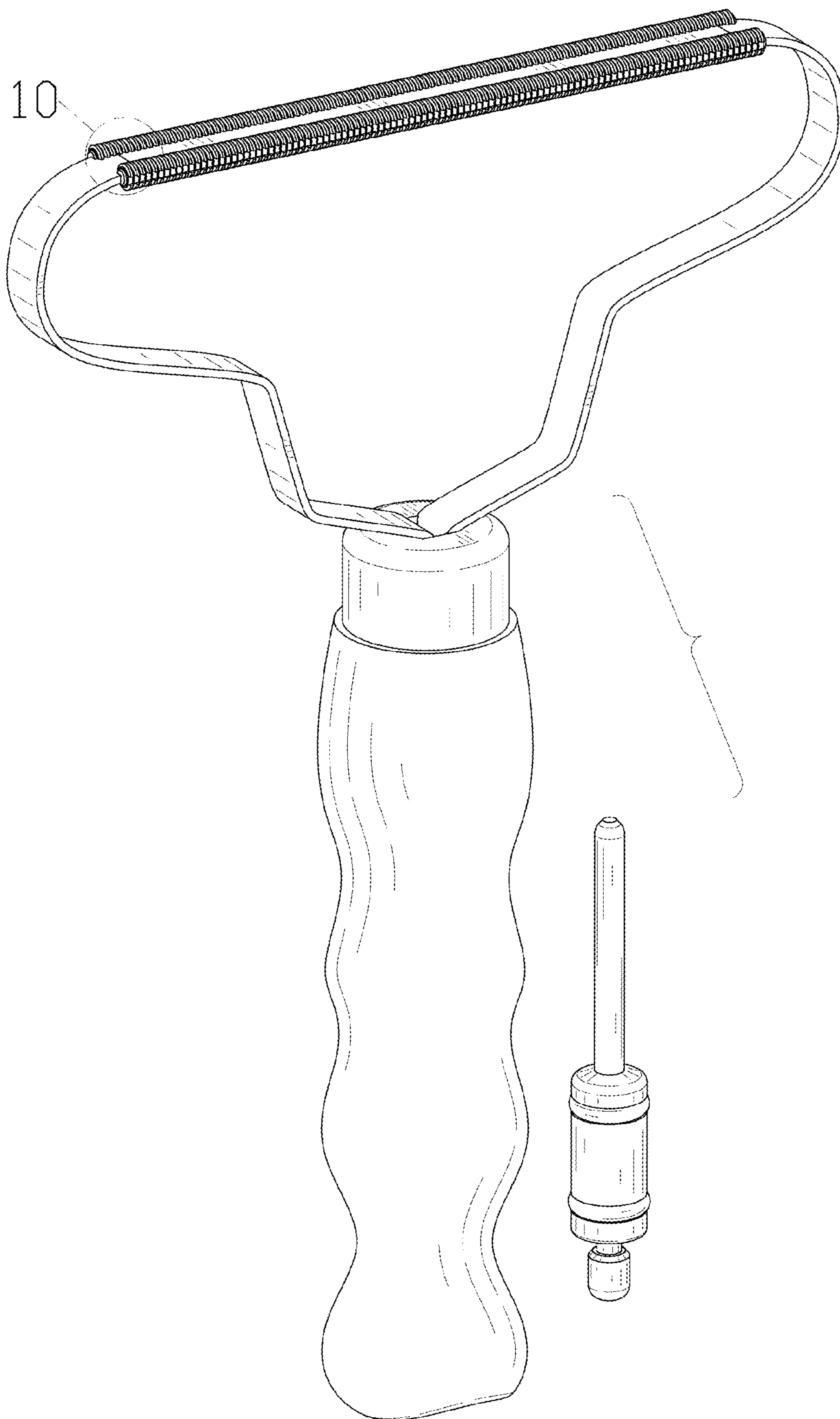


FIG. 1

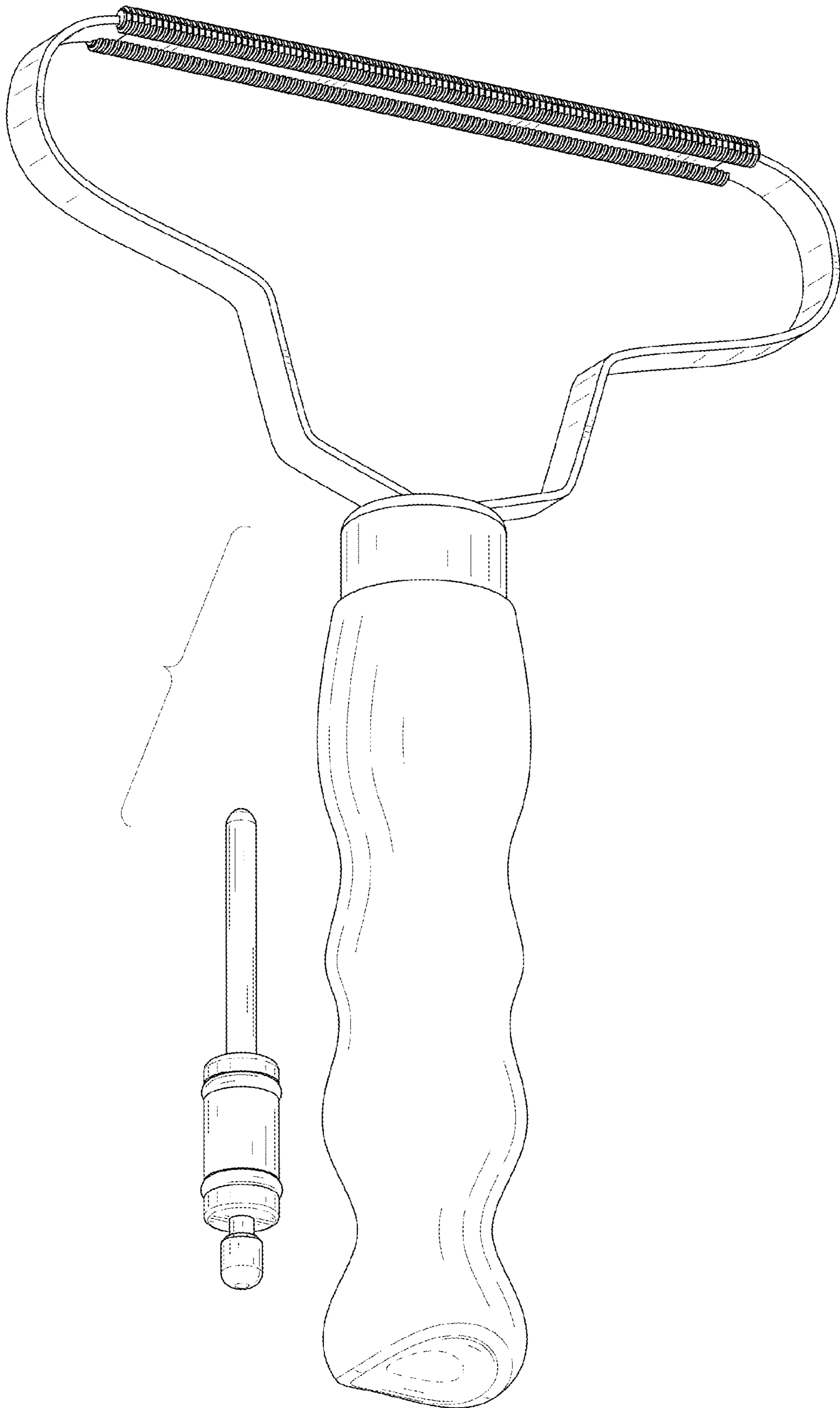


FIG. 2

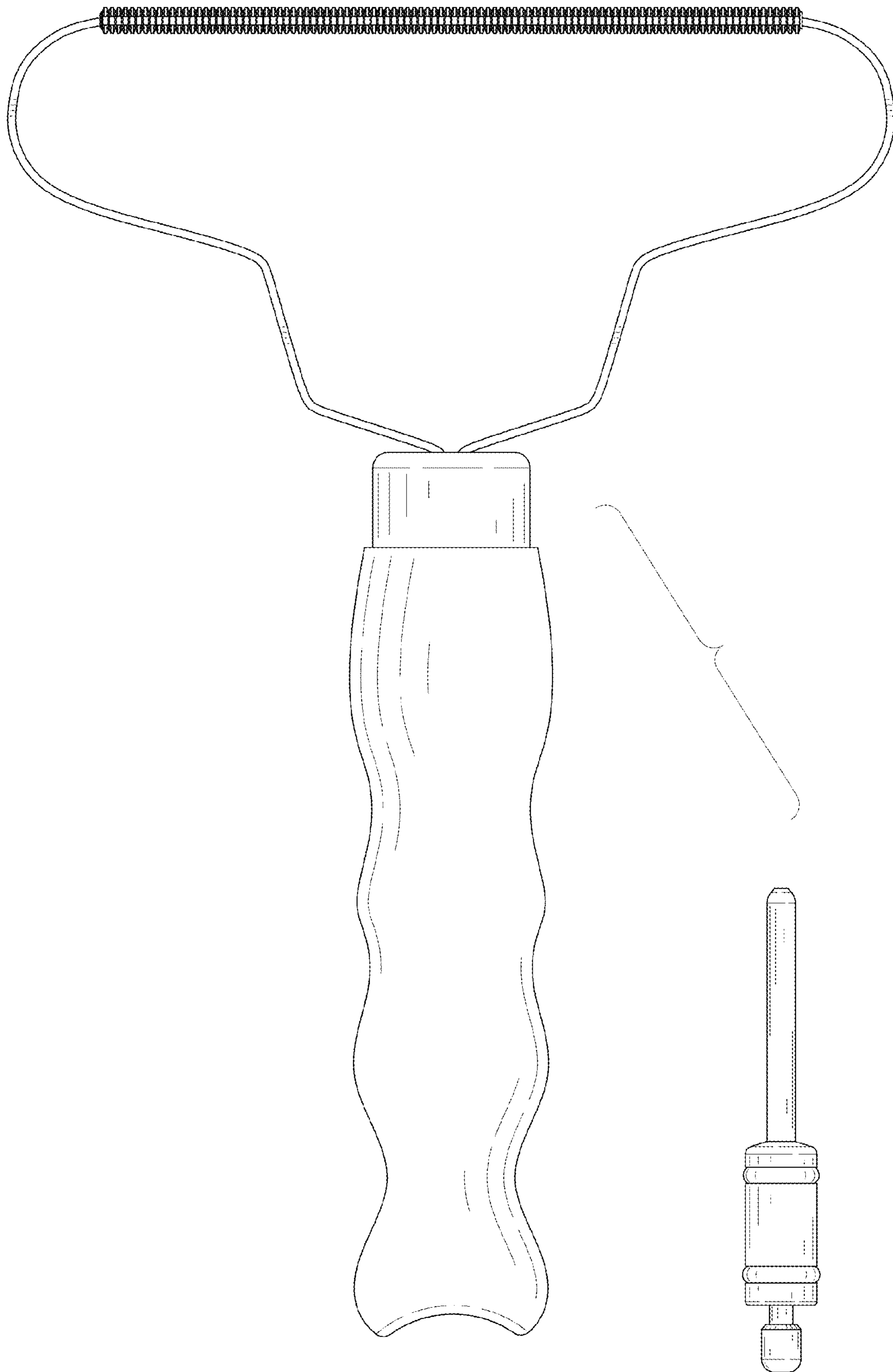


FIG. 3

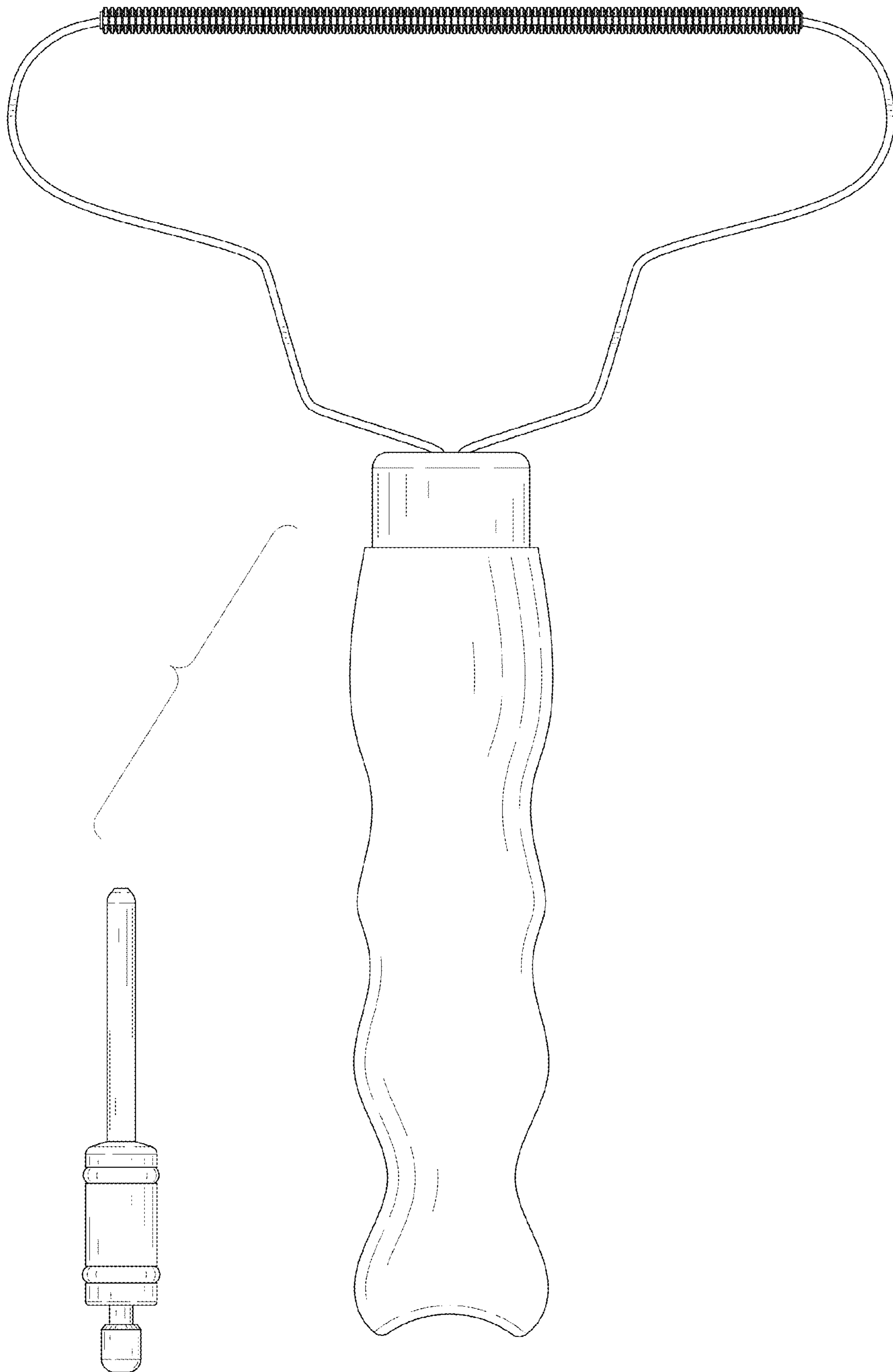


FIG. 4

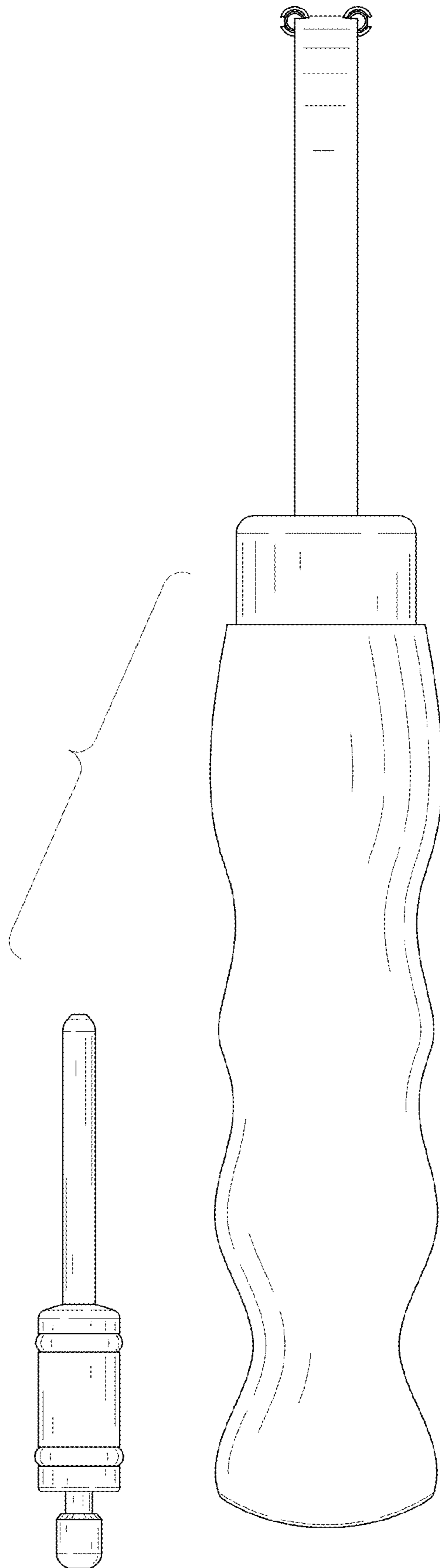


FIG. 5

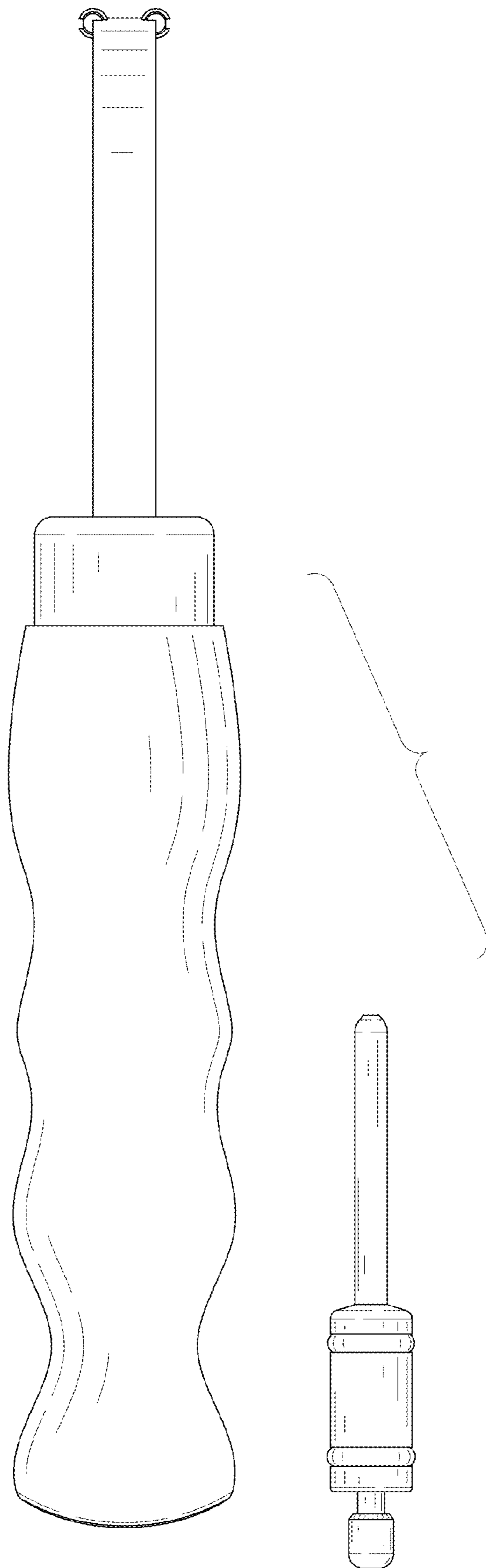


FIG. 6

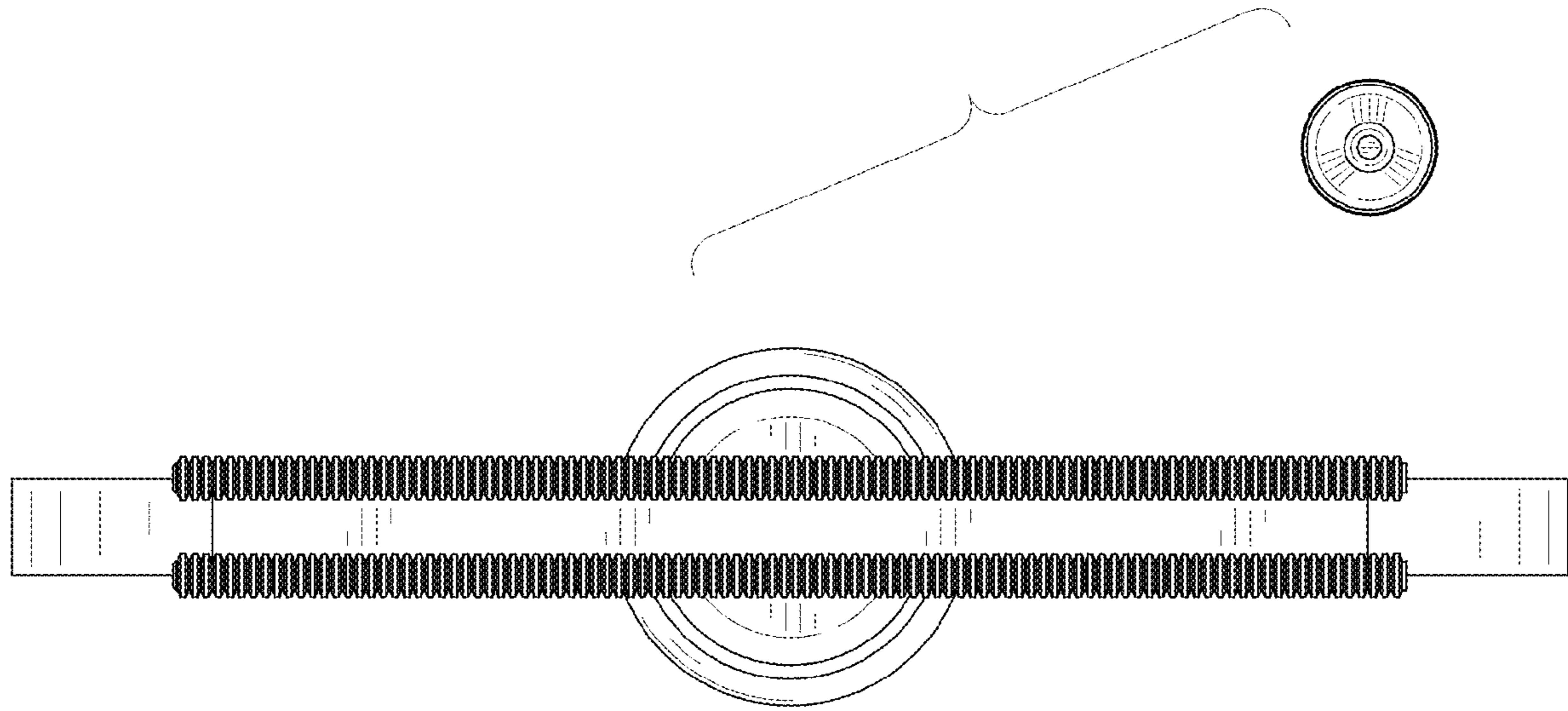


FIG. 7

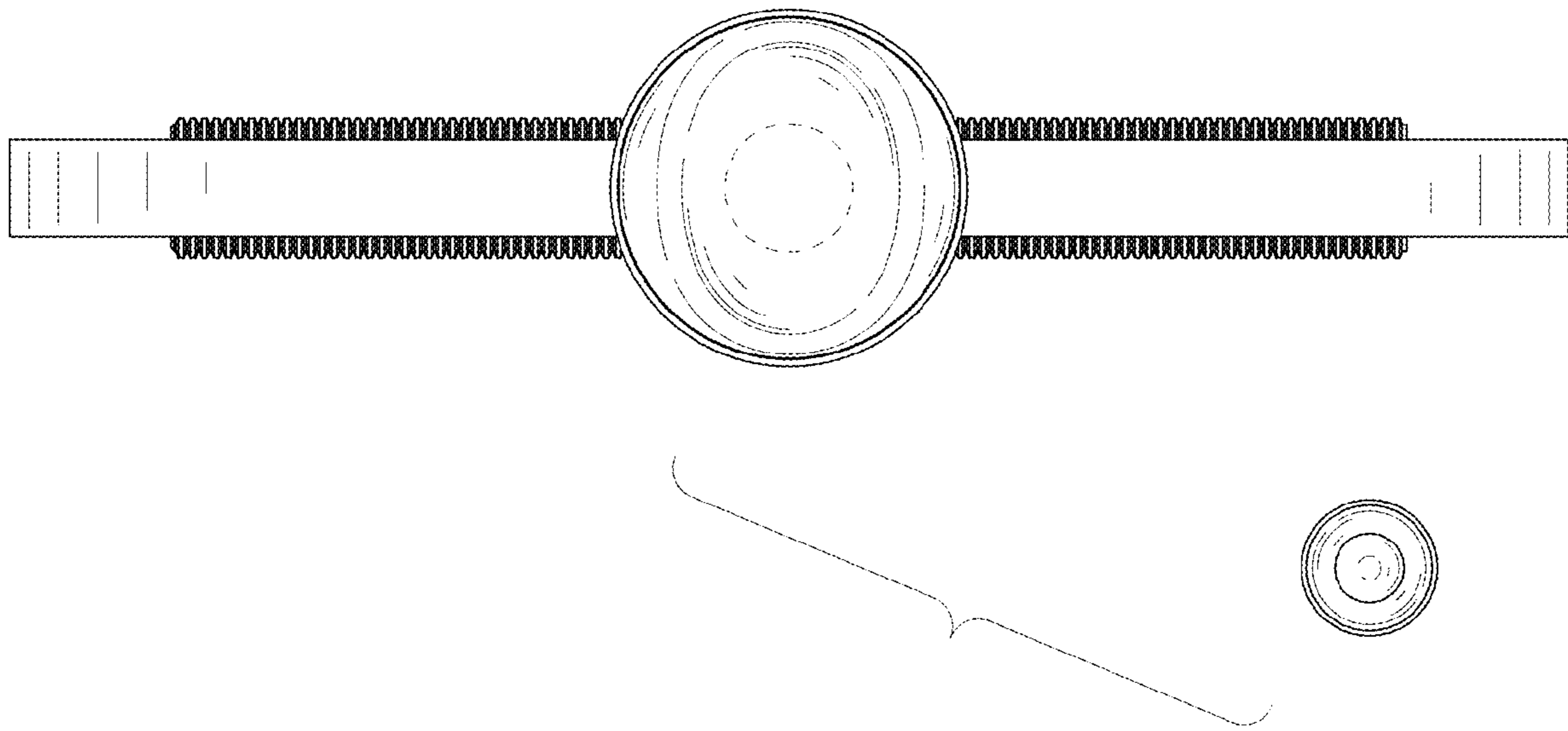


FIG. 8

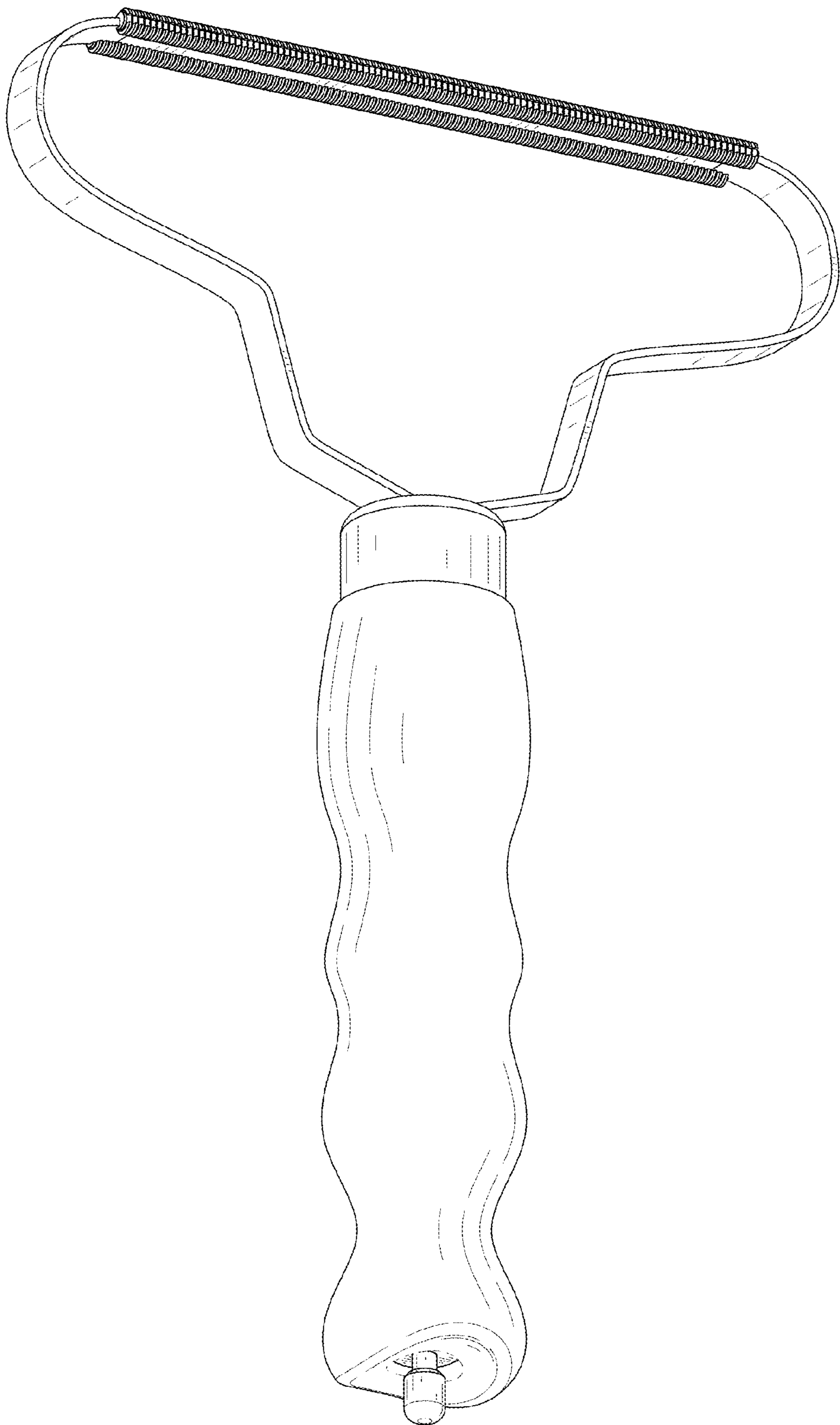


FIG. 9

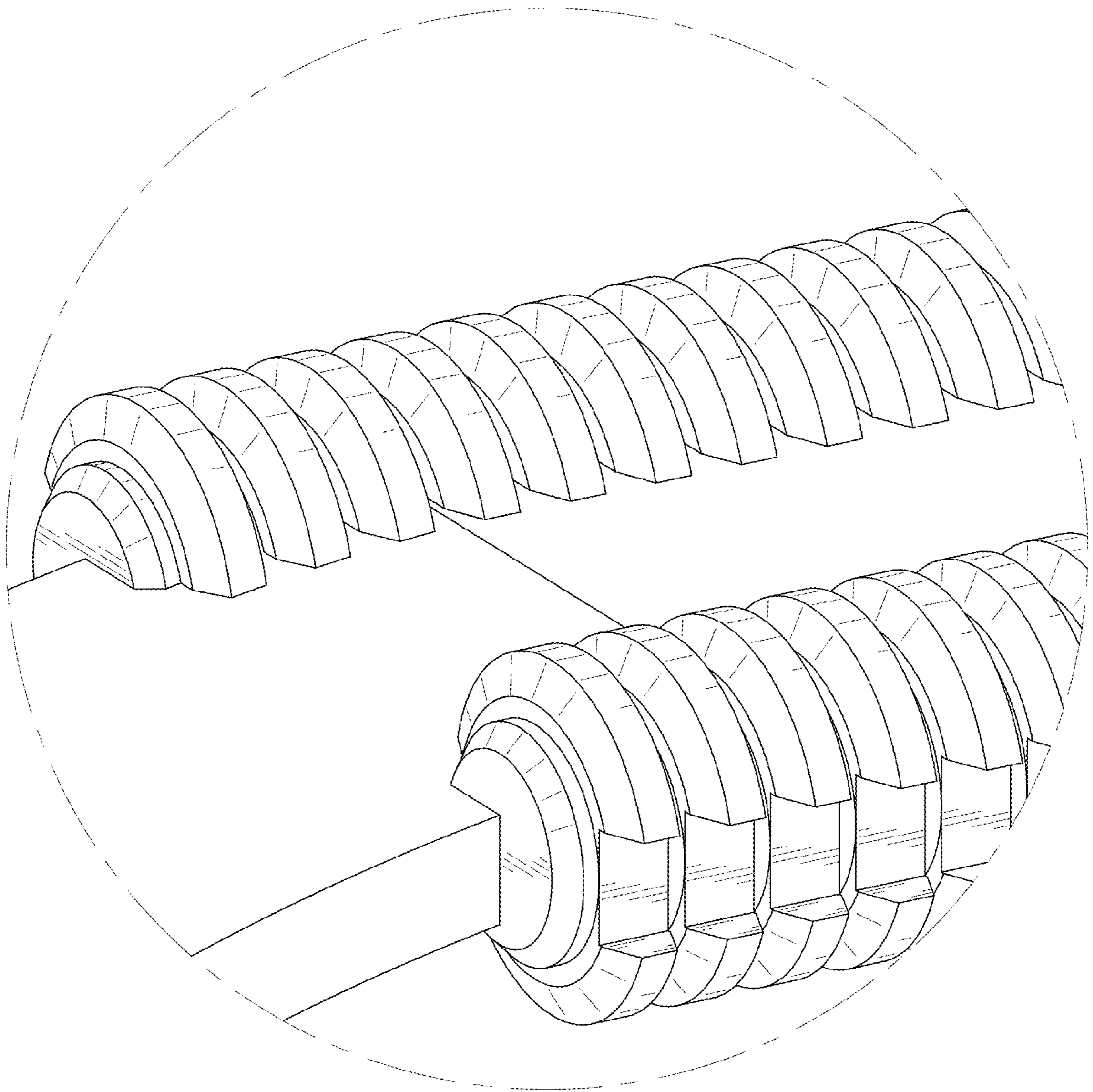


FIG. 10