



US00D968037S

(12) **United States Design Patent**
Xie

(10) **Patent No.:** **US D968,037 S**

(45) **Date of Patent:** **** Oct. 25, 2022**

(54) **INFLATABLE PET COLLAR**

(71) Applicant: **Dapeng Xie**, Fuzhou (CN)

(72) Inventor: **Dapeng Xie**, Fuzhou (CN)

(**) Term: **15 Years**

(21) Appl. No.: **29/826,856**

(22) Filed: **Feb. 16, 2022**

(30) **Foreign Application Priority Data**

Dec. 29, 2021 (CN) 202130870848.0

(51) **LOC (13) Cl.** **30-04**

(52) **U.S. Cl.**
USPC **D30/152**

(58) **Field of Classification Search**
USPC D30/36-37, 144-145, 151-155, 199;
D29/100, 101.2; D6/601, 604; 119/815
CPC A01K 27/00; A01K 27/001; A01K 27/002;
A01K 27/006; A01K 15/04
See application file for complete search history.

(56) **References Cited**

U.S. PATENT DOCUMENTS

- 1,385,581 A * 7/1921 Pallady B63C 9/155
441/123
- 1,986,697 A * 1/1935 Wilson A47C 27/081
128/889
- 2,210,809 A * 8/1940 Gray B63C 9/24
441/123
- 2,890,467 A * 6/1959 Cowell B63C 9/155
441/123
- 2,937,387 A * 5/1960 Boynton, Jr. B63C 9/155
D30/144
- 3,048,860 A * 8/1962 Richardson B63C 9/155
5/636
- D255,966 S * 7/1980 Stadel D21/805
- 4,413,588 A * 11/1983 Lindholm A01K 15/04
119/863

- 4,476,814 A * 10/1984 Miller A61D 9/00
119/815
- 4,800,871 A * 1/1989 Florjancic A61H 1/0218
602/18
- D386,348 S * 11/1997 Weidman D6/601
(Continued)

FOREIGN PATENT DOCUMENTS

- EM 008237978-0001 * 11/2020
- GB 6099558 * 9/2020
- GB 90082379780001 * 11/2020

OTHER PUBLICATIONS

Protective Inflatable Collar for Dogs and Cats, dated Jun. 22, 2021, amazon.com [online]. Retrieved Jul. 29, 2022 from internet <URL: <https://www.amazon.com/dp/B097P58GGJ/>> (Year: 2021).*
(Continued)

Primary Examiner — Andrew T Nemeth

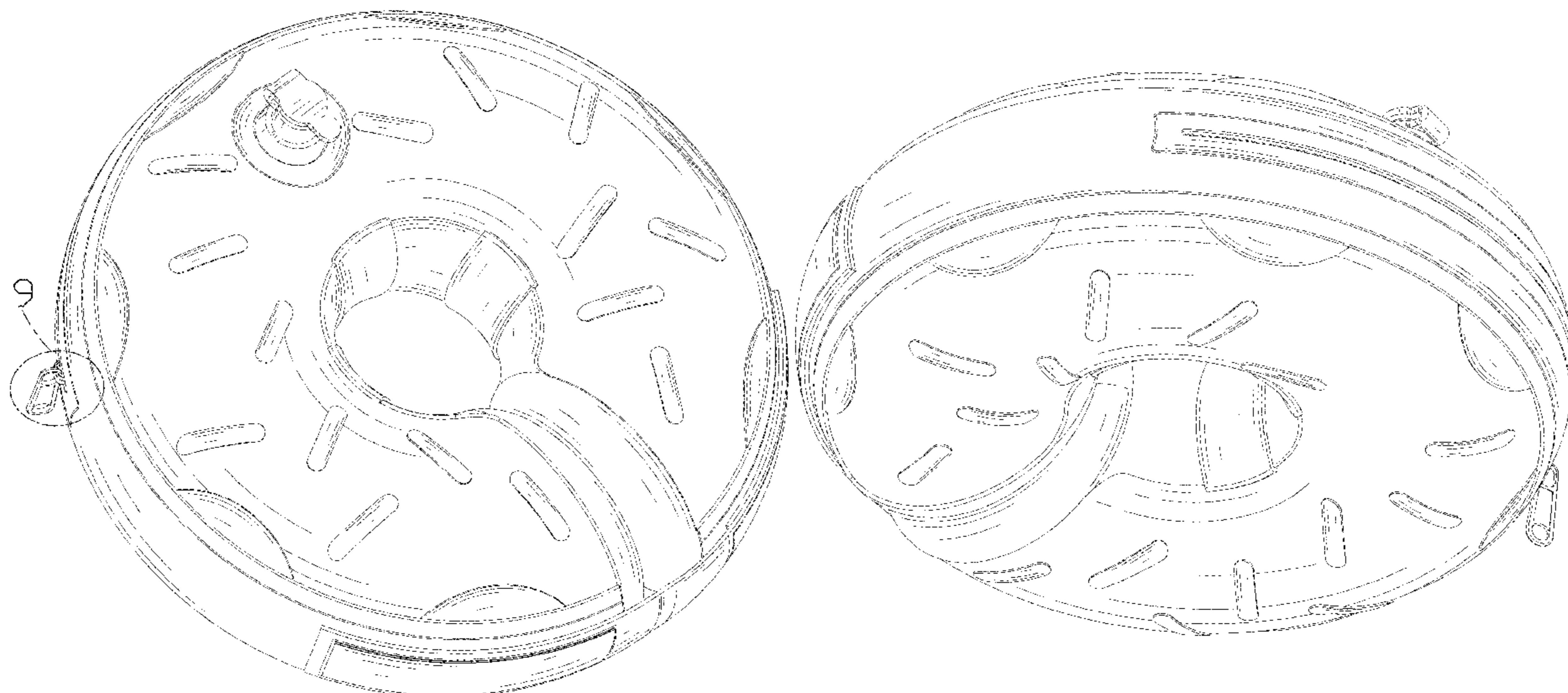
(57) **CLAIM**

The ornamental design for an inflatable pet collar, as shown and described.

DESCRIPTION

FIG. 1 is a perspective view of an inflatable pet collar showing my new design;
FIG. 2 is another perspective view thereof;
FIG. 3 is a front elevational view thereof;
FIG. 4 is a rear elevational view thereof;
FIG. 5 is a left side elevational view thereof;
FIG. 6 is a right side elevational view thereof;
FIG. 7 is a top plan view thereof;
FIG. 8 is a bottom plan view thereof; and,
FIG. 9 is an enlarged view of portion 9 shown in FIG. 1.
The dash-dash broken lines in the drawings depict switching and form no part of the claimed design. The dot-dash broken lines represent boundaries of the enlarged portion and form no part of the claimed design.

1 Claim, 9 Drawing Sheets



(56)

References Cited

U.S. PATENT DOCUMENTS

D412,082 S * 7/1999 Goodrich D6/601
 D429,592 S * 8/2000 Dohan D6/601
 D550,495 S * 9/2007 Boutin D6/601
 7,290,303 B2 * 11/2007 Mead A47D 13/08
 5/643
 7,404,222 B2 * 7/2008 Tidwell A47D 13/08
 5/655
 D592,363 S * 5/2009 Price D30/152
 D604,438 S * 11/2009 Thomson D6/601
 D624,250 S * 9/2010 Hamilton D30/152
 D668,004 S * 9/2012 Price D30/152
 8,881,687 B2 * 11/2014 Colangelo A01K 13/007
 119/815
 D821,989 S * 7/2018 Sung D13/199
 D821,992 S * 7/2018 Sung D13/199
 D862,120 S * 10/2019 Clute D6/604
 10,633,065 B2 * 4/2020 Chiu A63B 31/00
 D894,409 S 8/2020 Yeip et al.
 D901,943 S * 11/2020 Abraham D6/601

D925,744 S 7/2021 Yeip et al.
 D955,066 S * 6/2022 Miller D30/152
 2003/0037735 A1 * 2/2003 Albers A61D 9/00
 119/863
 2003/0150401 A1 * 8/2003 Schmid A01K 13/006
 119/815
 2007/0181080 A1 * 8/2007 Gibson A01K 27/001
 119/815
 2007/0271703 A1 * 11/2007 Matthews Brown .. A47D 13/08
 5/636
 2009/0107419 A1 * 4/2009 Davis A01K 13/006
 119/815
 2017/0099808 A1 * 4/2017 Garfinkel A01K 13/006

OTHER PUBLICATIONS

Bingpet Dog Inflatable Recovery Collar, dated Nov. 3, 2020, amazon.com [online]. Retrieved Jul. 29, 2022 from internet <URL:https://www.amazon.com/BINGPET-Dog-Inflatable-Recovery-Collar/dp/B08MHWVZCQ/> (Year: 2020).*

* cited by examiner



FIG. 1

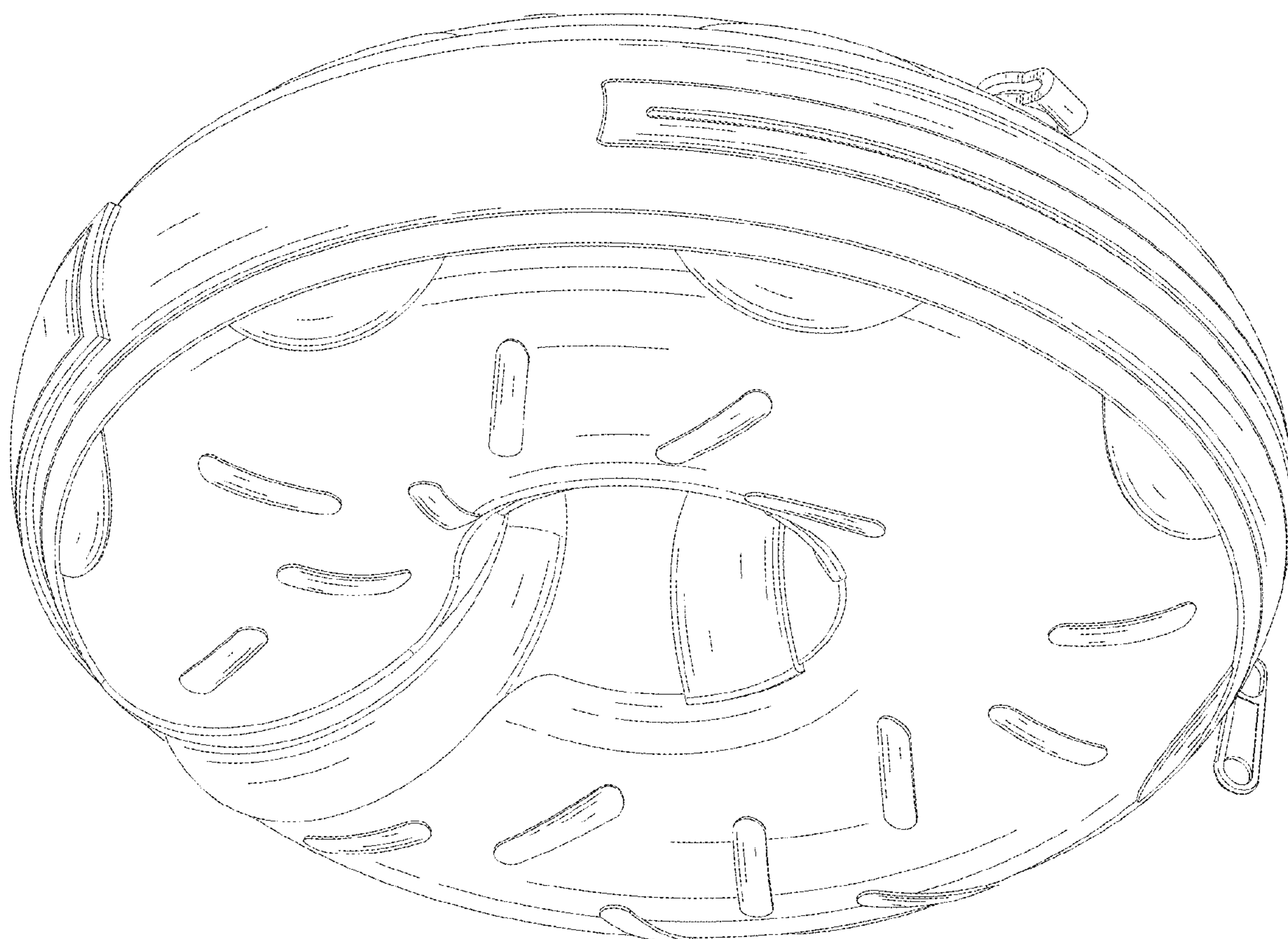


FIG. 2

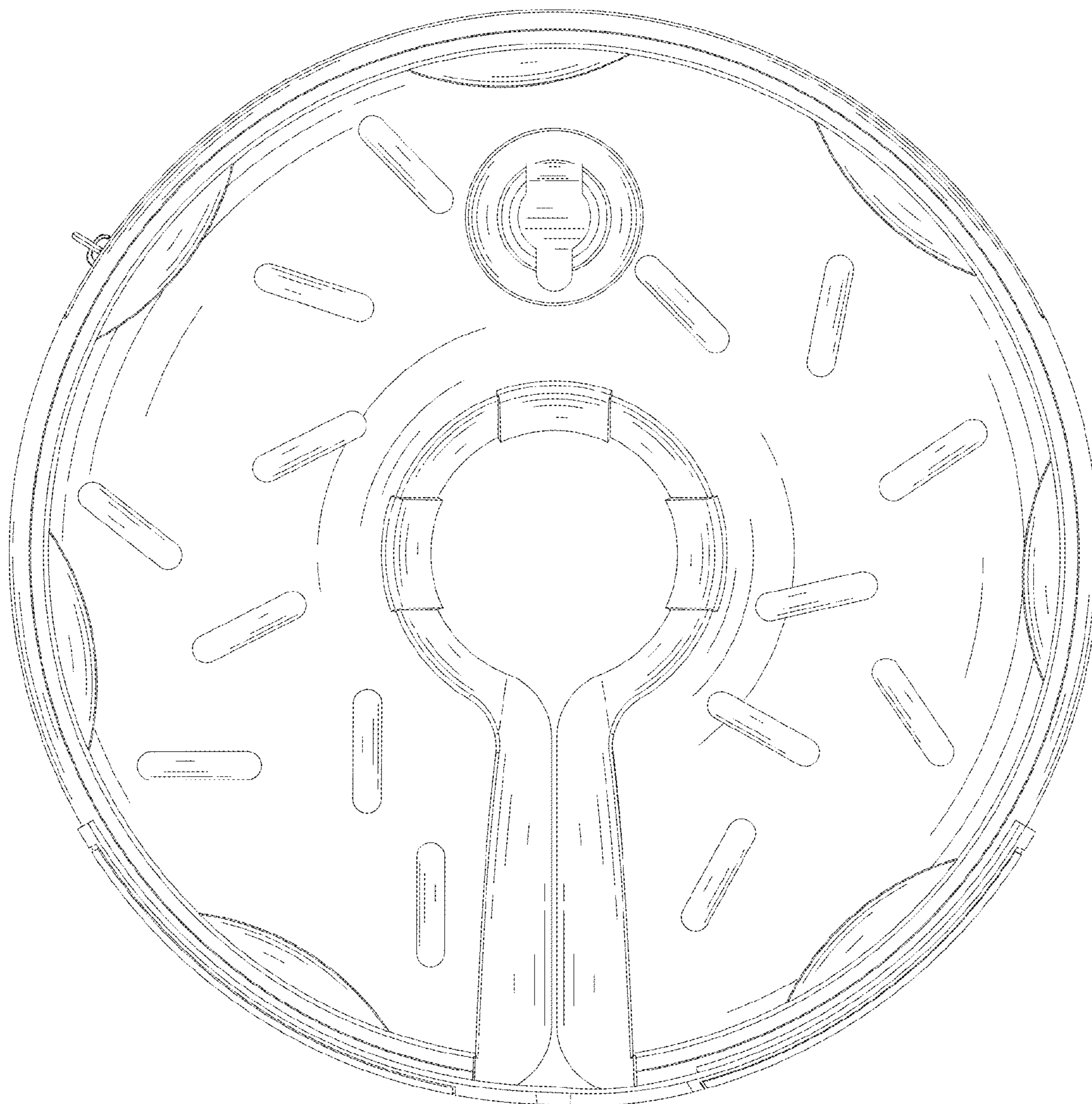


FIG. 3

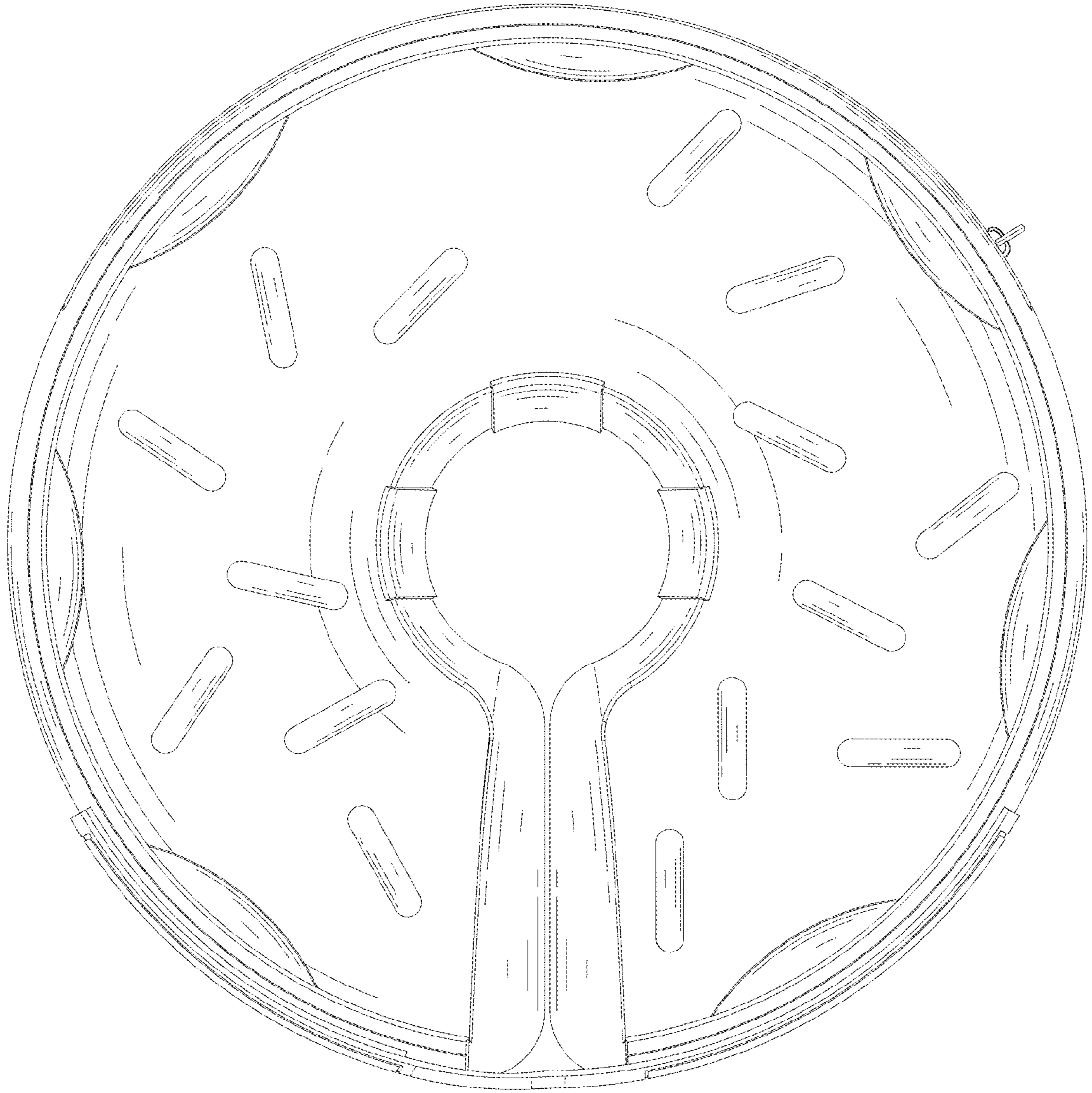


FIG. 4

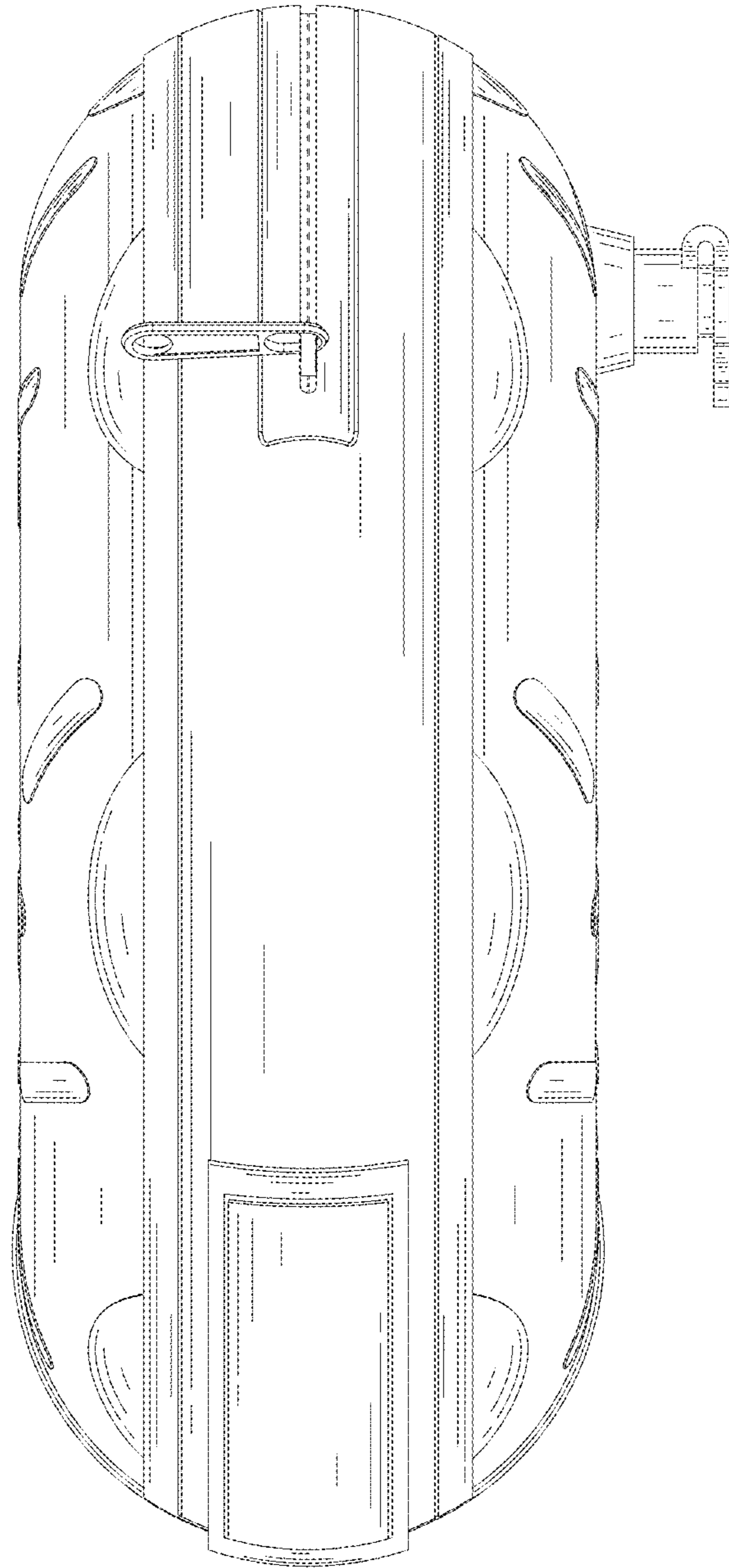


FIG. 5

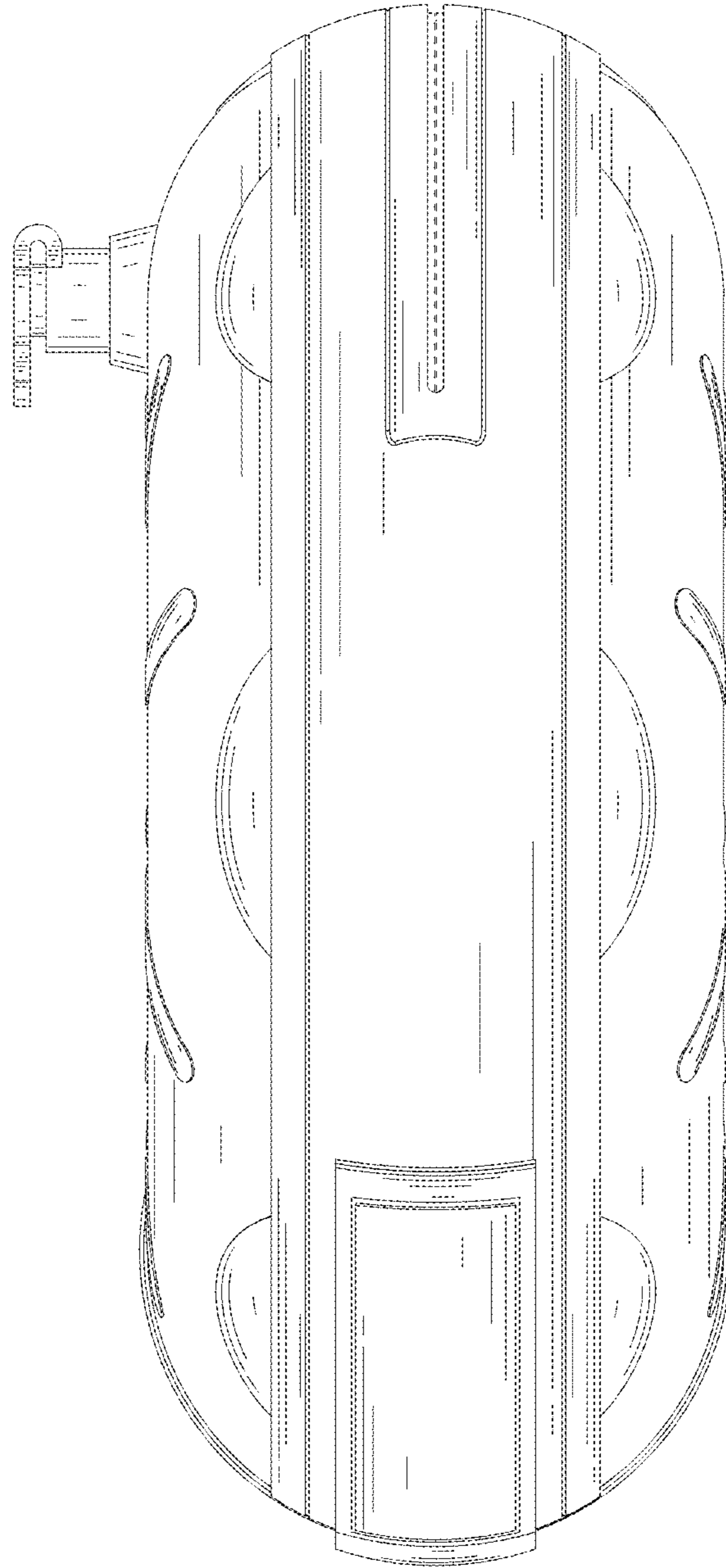


FIG. 6

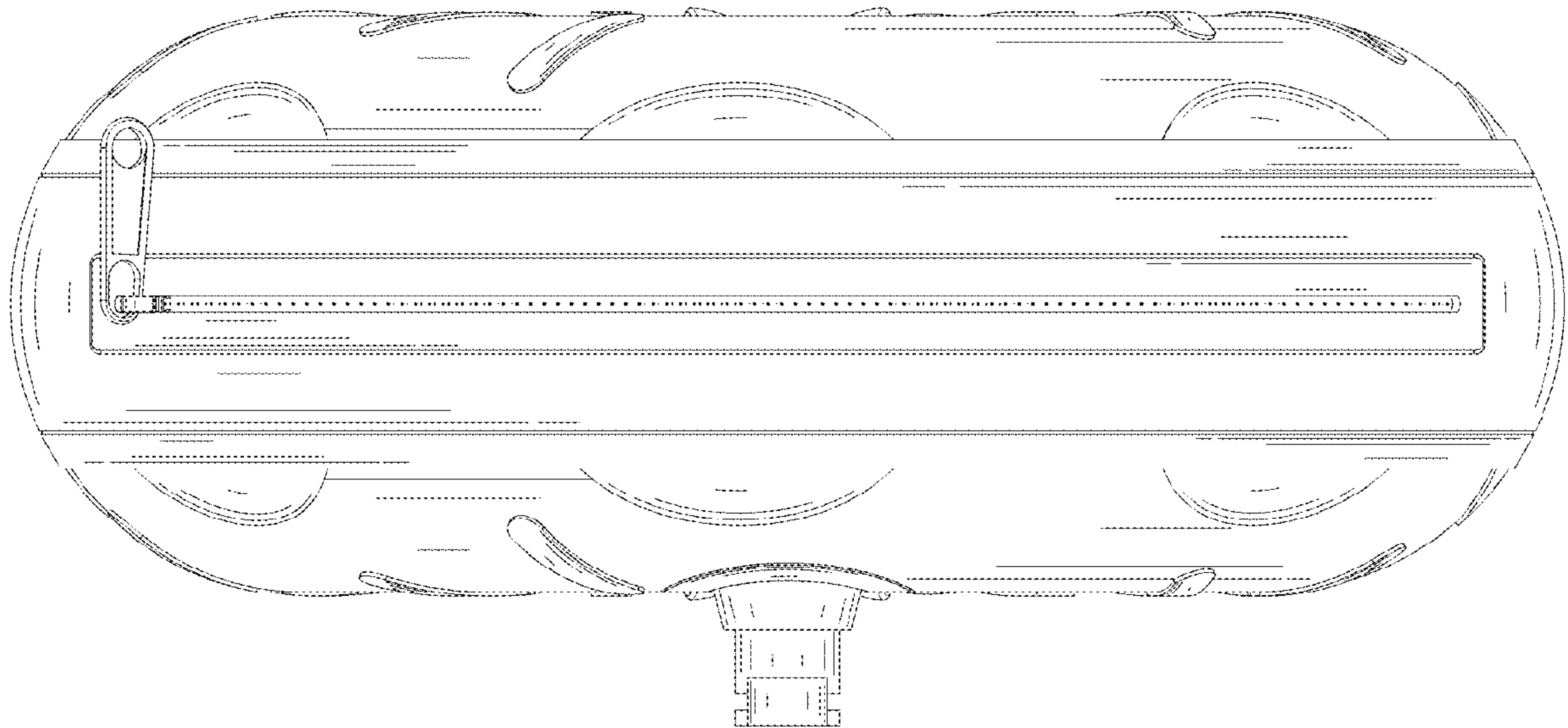


FIG. 7

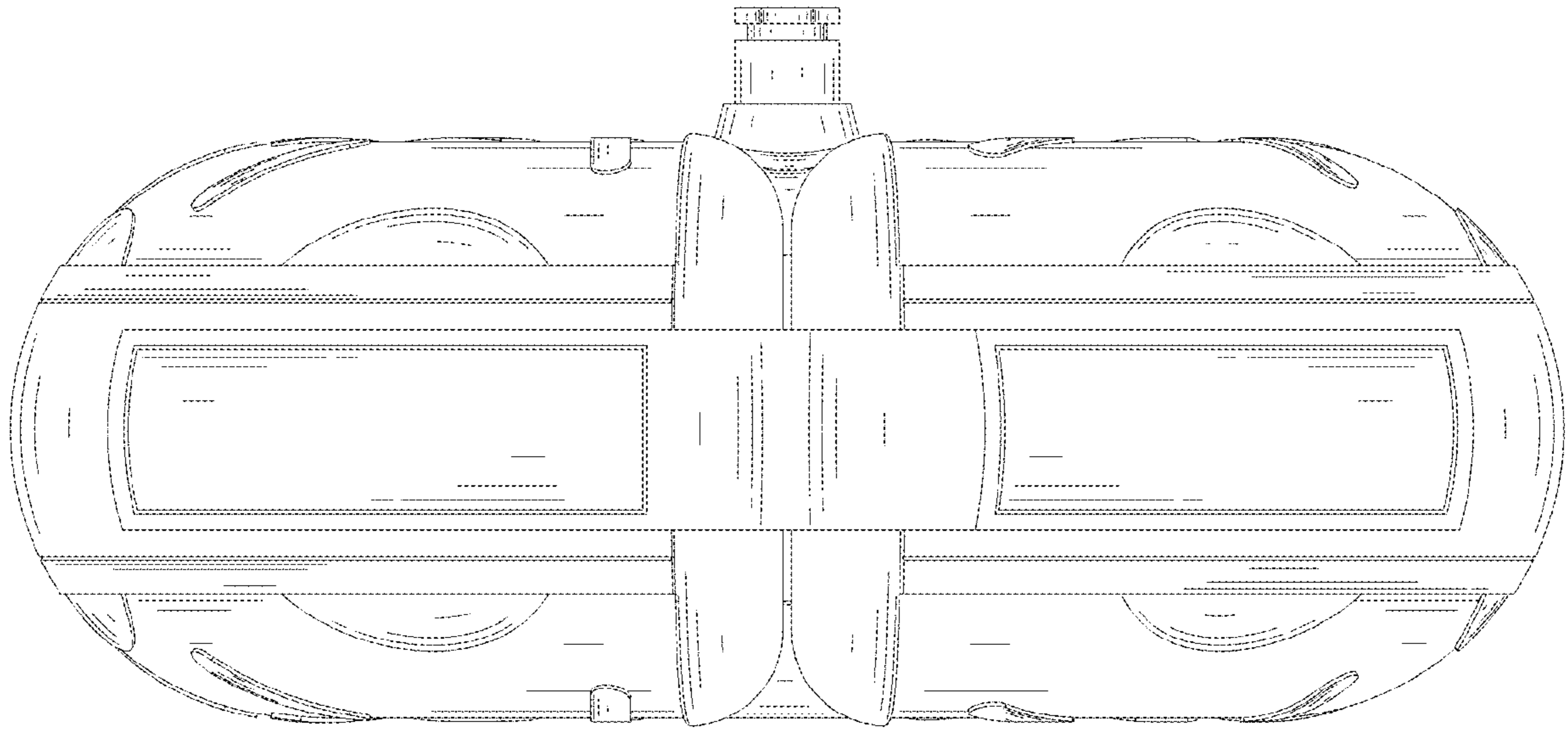


FIG. 8

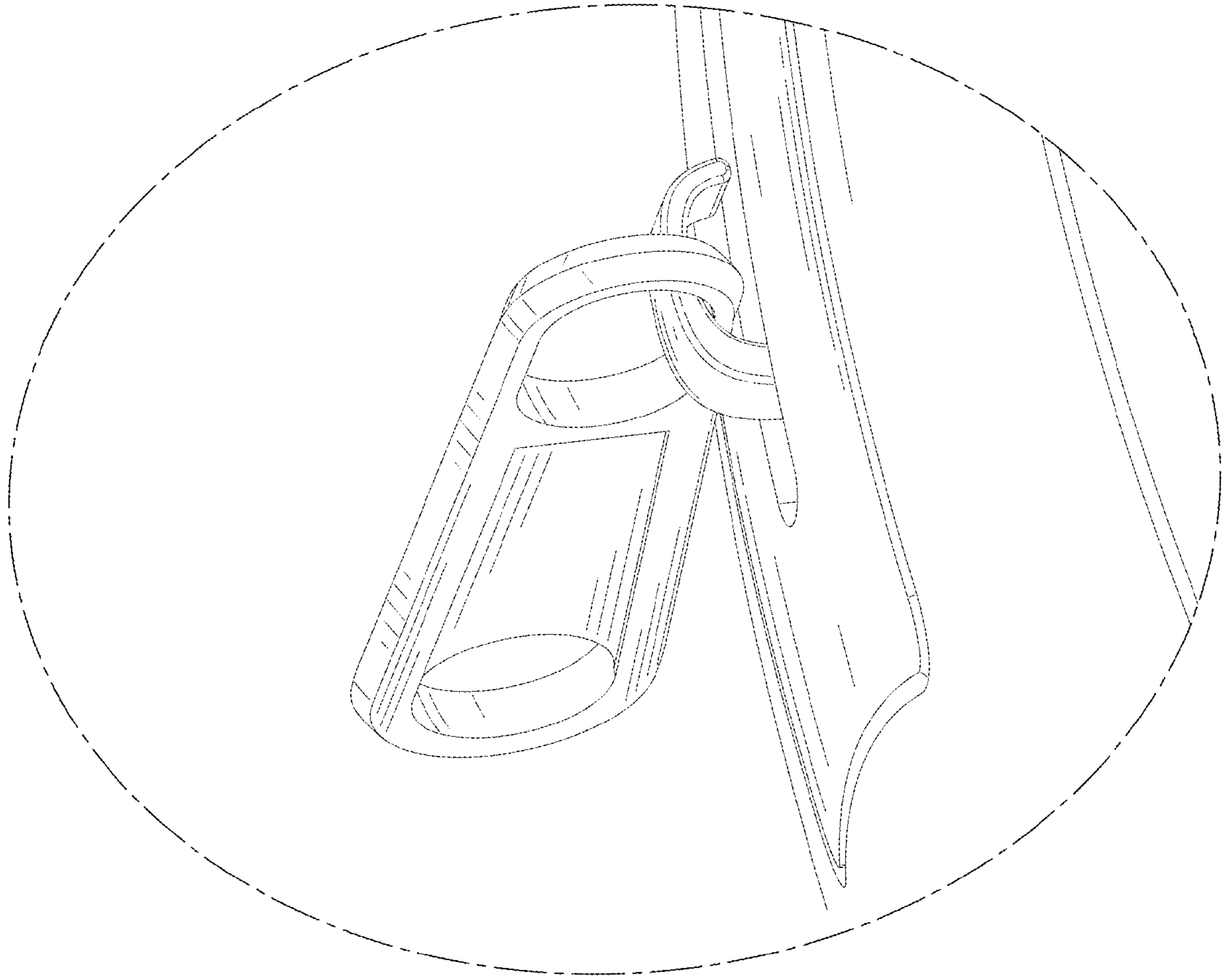


FIG. 9