



US00D968034S

(12) **United States Design Patent**  
**Liang**

(10) **Patent No.:** **US D968,034 S**

(45) **Date of Patent:** **\*\* Oct. 25, 2022**

(54) **SMALL ANIMALS FORAGING ENRICHMENT TOY**

(71) Applicant: **Xiaopian Liang**, Zhongshan (CN)

(72) Inventor: **Xiaopian Liang**, Zhongshan (CN)

(\*\*) Term: **15 Years**

(21) Appl. No.: **29/814,033**

(22) Filed: **Nov. 3, 2021**

(51) **LOC (13) Cl.** ..... **30-03**

(52) **U.S. Cl.**  
USPC ..... **D30/121**; D30/160

(58) **Field of Classification Search**  
USPC ..... D30/122, 133, 121, 128, 130, 132, 129, D30/160, 199; 119/52.1, 55, 61.5–61.56, 119/51.01, 51.03, 59, 62, 63, 51.5, 57.8, 119/53, 53.5, 75, 56.2, 51.02, 51.11, 119/51.12, 57.1, 74, 515; D6/480–485; 248/188, 151; 312/204; 108/153.1–157; 220/23.87, 630, 737, 743, 9.4, 495.01, 220/574, 212, 255, 23.83; 206/515; D7/586, 543, 550.1, 587, 505, 584, 545, D7/500, 553.1–553.8, 546, 555, 556, 504, D7/565, 562, 602, 605, 312, 313, 320, D7/307, 306, 309, 354, 311, 399, 397, D7/323, 332, 331, 347, 346, 322, 318, D7/317, 316, 619.1; D9/429; 43/109; D22/122; 99/430, DIG. 15, 280, 285, 99/312; 222/209, 131, 363, 349, 517, 222/153.13, 401, 1, 146.5, 23, 54, 64, 51, 222/156, 399, 400.8; 219/438, 439, 441, 219/385, 386, 402, 407; 210/94, 184, 210/474, 477  
CPC ..... A01K 5/025; A01K 5/02; A01K 5/0225; A01K 5/0266; A01K 5/0275; A01K 5/0283; A01K 5/0291; A01K 5/0258; A01K 5/0114; A01K 5/01; A01K 5/0135; A01K 7/005; A01K 7/00; A01K 7/02; A01K 5/0142; A01K 5/0121; A01K 5/0128; A01K 27/004; A01K 39/014;

A01K 39/00; A01K 39/02; A01K 39/0113; A47J 43/0727; A47J 41/0033; A47J 41/005; A47J 41/0088; A47J 41/0094; A47J 31/04; A47J 31/053; A01M 29/34; B29C 65/48; B65D 81/36; G01F 11/24; G01F 23/02; B67D 1/0425; B67D 1/04; B67D 1/00; B67D 1/02; B67D

(Continued)

(56) **References Cited**

U.S. PATENT DOCUMENTS

D257,692 S \* 12/1980 Thayer ..... D30/121  
4,644,903 A \* 2/1987 Shaver ..... A01K 5/0291  
119/51.01

(Continued)

*Primary Examiner* — Susan Moon Lee

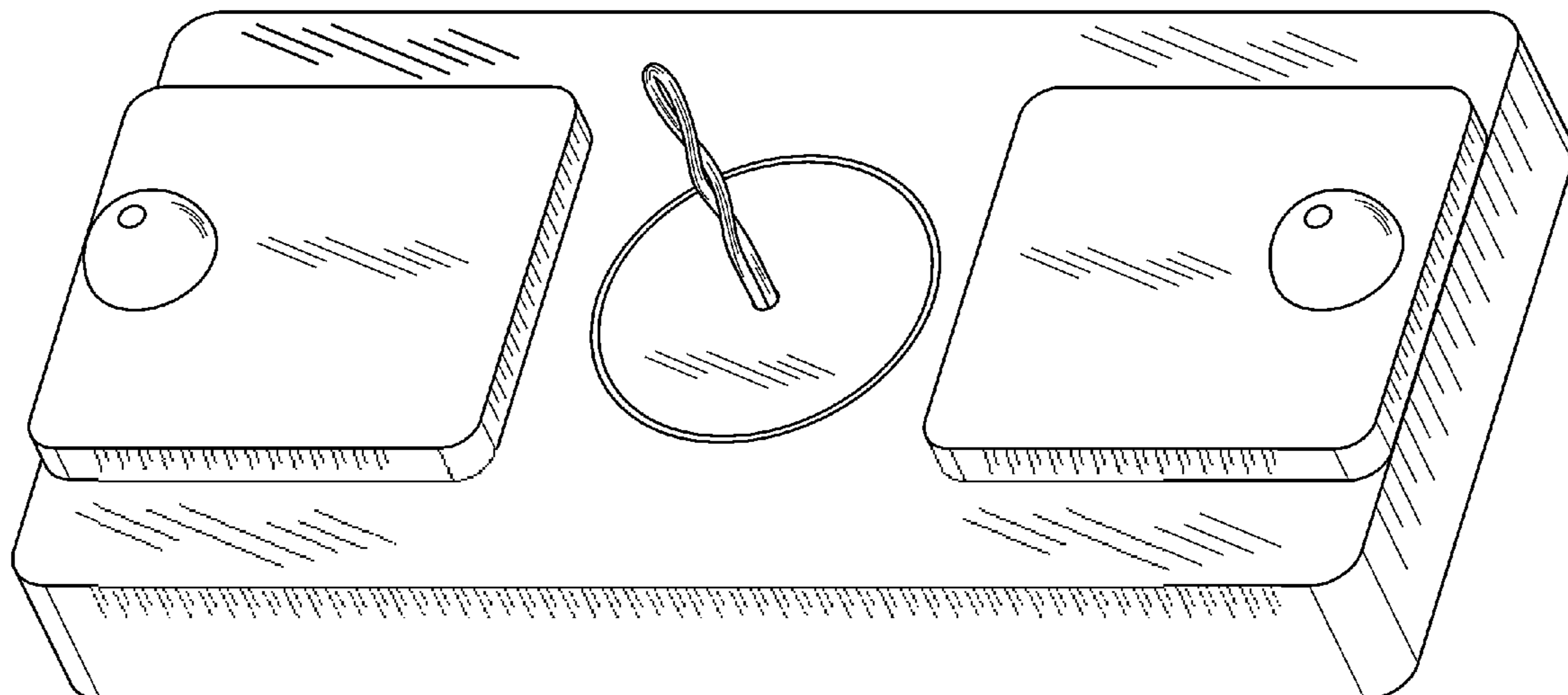
(57) **CLAIM**

The ornamental design for a small animals foraging enrichment toy, substantially as shown and described.

**DESCRIPTION**

FIG. 1 is a top, front and right side perspective view of a small animals foraging enrichment toy, showing my new design;  
FIG. 2 is a front elevational view thereof;  
FIG. 3 is a rear elevational view thereof;  
FIG. 4 is a right side elevational view thereof;  
FIG. 5 is a left side elevational view thereof;  
FIG. 6 is a top plan view thereof;  
FIG. 7 is a bottom plan view thereof; and,  
FIG. 8 is a perspective view of the small animals foraging enrichment toy in an expanded state.  
The toy is designed to stimulate pets' foraging skills and thereby enrich their day to day routine, and promote interest, curiosity and movement. The inner holes can store and hide treats which pets can attempt to access by manipulating the lid.

**1 Claim, 8 Drawing Sheets**



(58) **Field of Classification Search**

CPC ..... 1/0871; B67D 1/0802; B05B 11/00; B05B  
 11/0002; B05B 11/0005; B05B 11/001;  
 C02F 1/003; C02F 1/283; C02F 2307/02  
 See application file for complete search history.

(56) **References Cited**

U.S. PATENT DOCUMENTS

D312,150	S *	11/1990	Ulemek .....	D30/122
D312,334	S *	11/1990	Kirk .....	D30/122
5,546,894	A *	8/1996	St-Pierre .....	A01K 5/025
				119/61.55
D478,693	S *	8/2003	Steinbacher .....	D30/130
D490,577	S *	5/2004	Steinbacher .....	D1/121
D636,943	S *	4/2011	Pilz .....	D30/122
D649,869	S *	12/2011	Gibson .....	D9/428
8,701,594	B2 *	4/2014	Vickery .....	A01M 25/004
				119/51.01
D723,751	S *	3/2015	Palmer .....	D30/130
D743,113	S *	11/2015	Hill .....	D30/130
D785,874	S *	5/2017	Ward .....	D30/129
D792,033	S *	7/2017	Hill .....	D30/130
D845,555	S *	4/2019	Li .....	D30/121
D886,202	S *	6/2020	Hsu .....	D21/342
D889,049	S *	6/2020	Chen .....	D30/129
D897,611	S	9/2020	Nixon et al.	
2006/0032451	A1 *	2/2006	Gonet .....	A01K 5/025
				119/61.5
2008/0105205	A1 *	5/2008	Goehring .....	A01K 5/0114
				119/51.02
2014/0090601	A1 *	4/2014	Stone .....	A01K 5/0275
				119/51.01
2015/0040832	A1 *	2/2015	Klein .....	A01K 5/0291
				119/51.11

\* cited by examiner

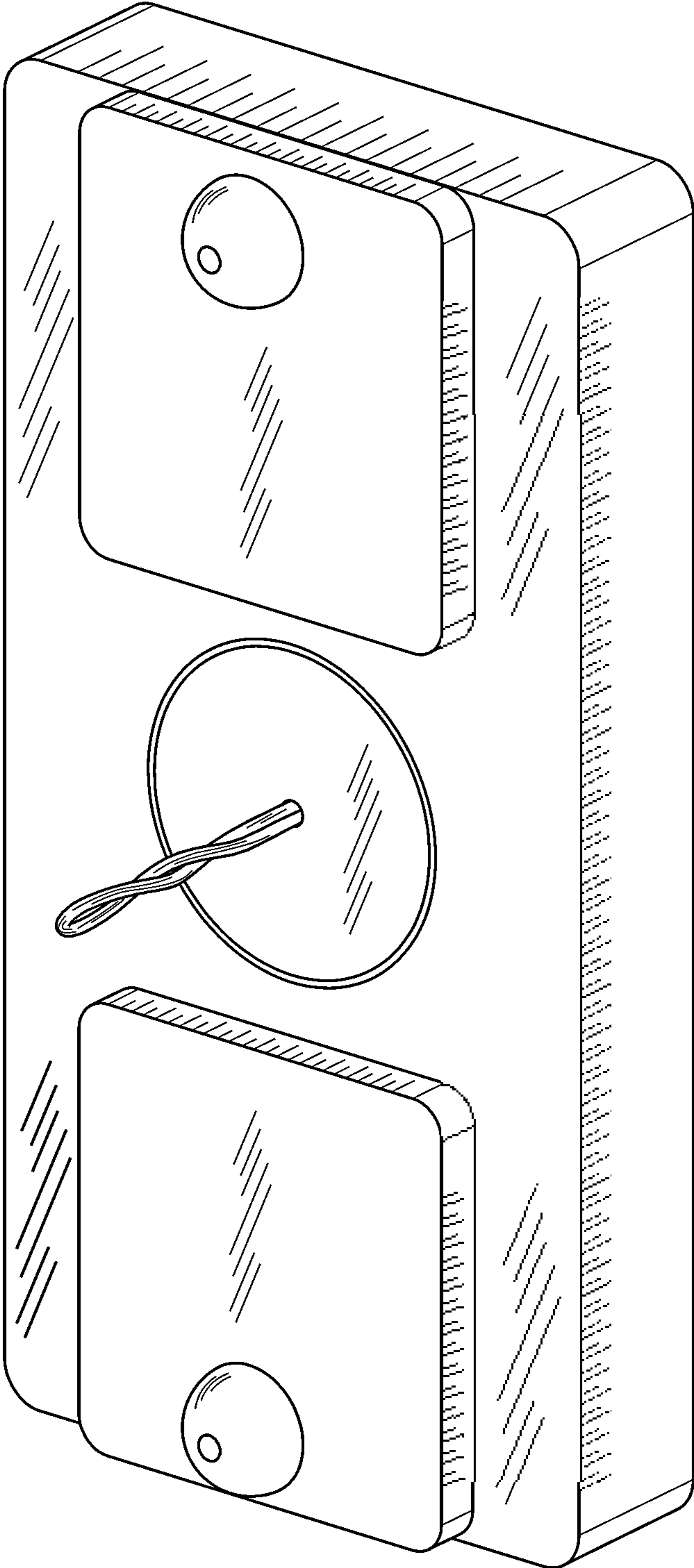


FIG.1

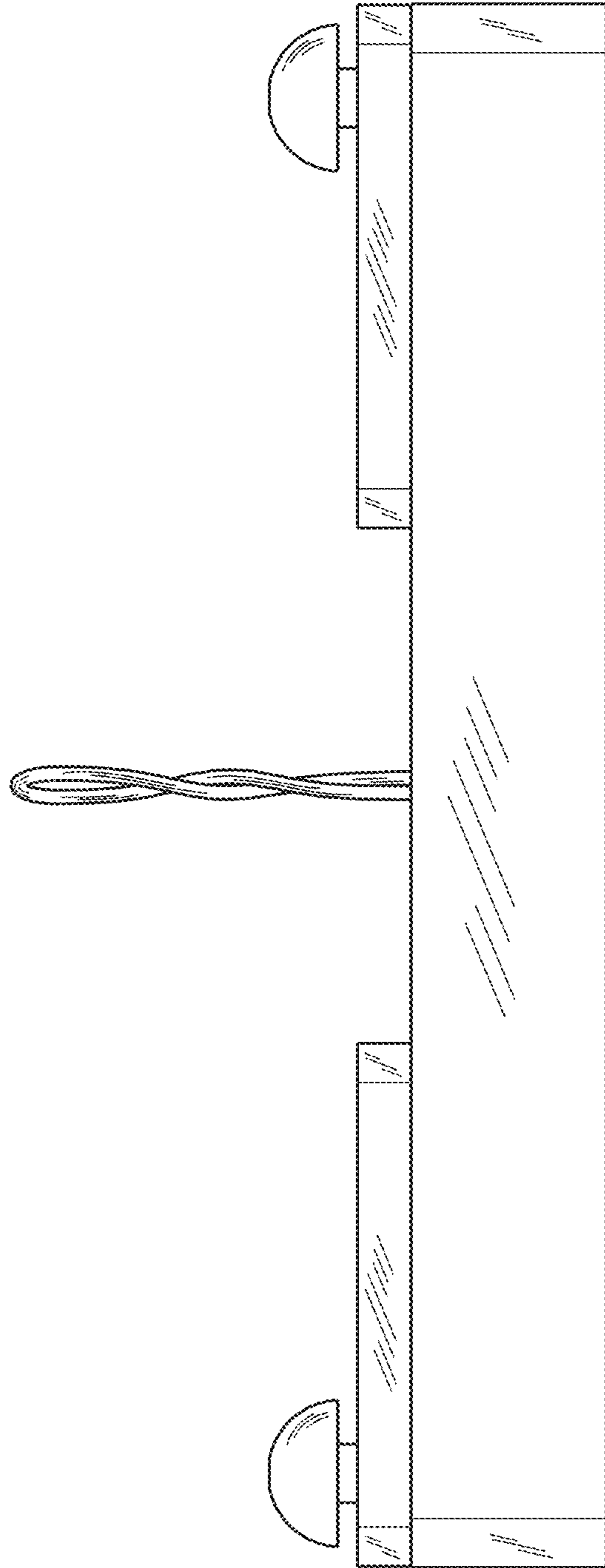


FIG.2

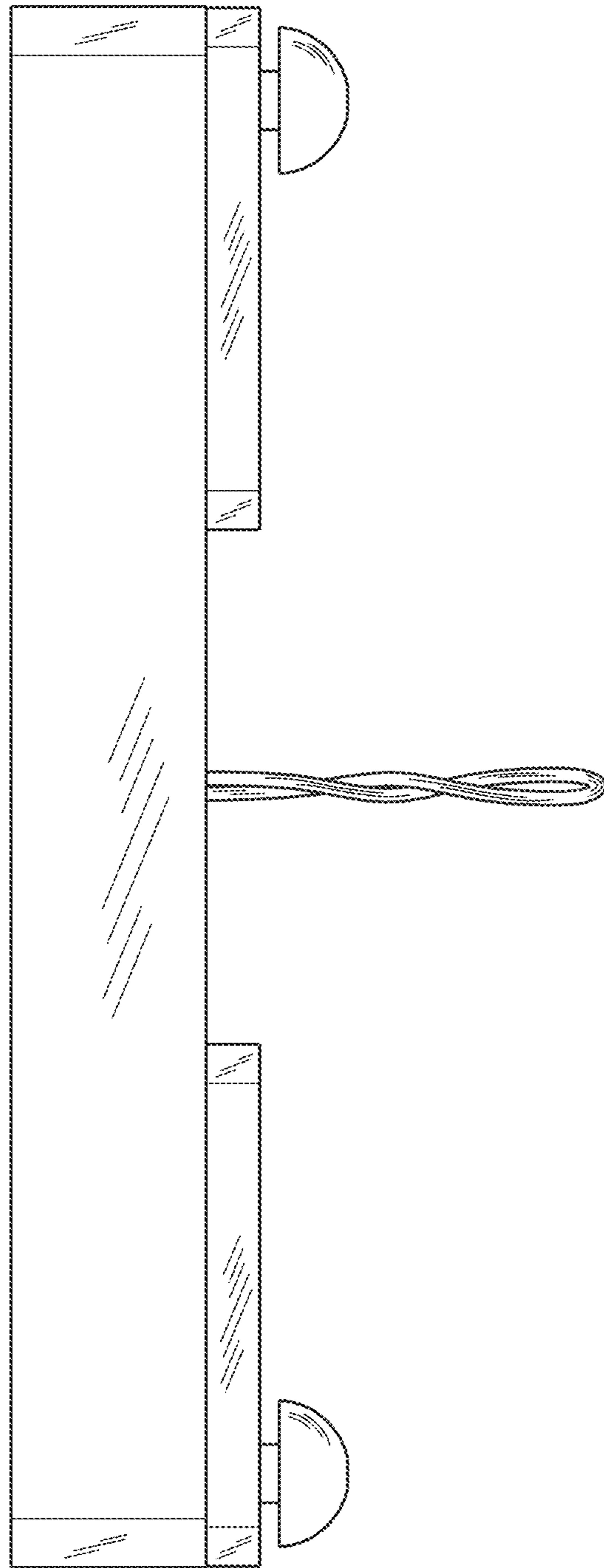


FIG.3

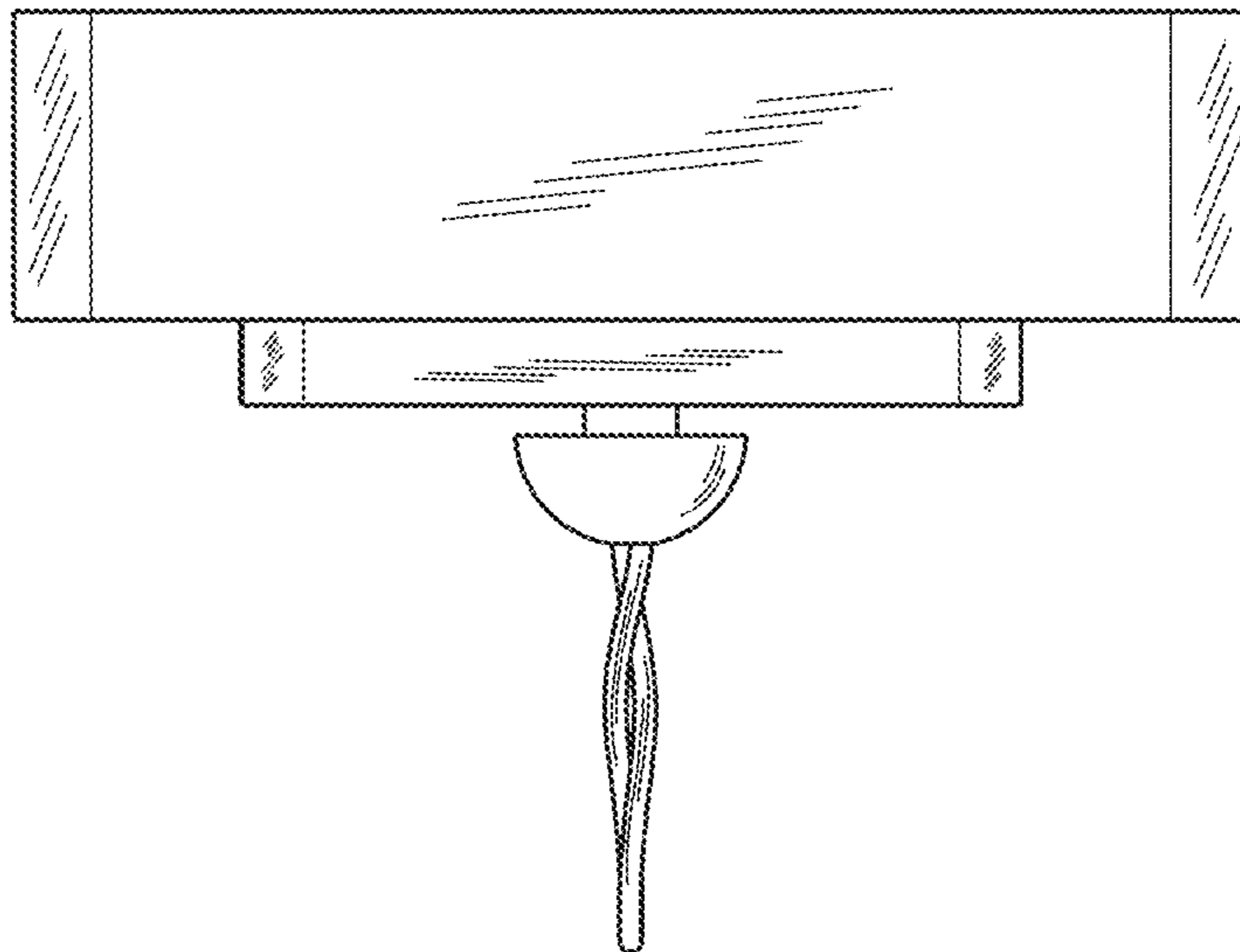


FIG.4

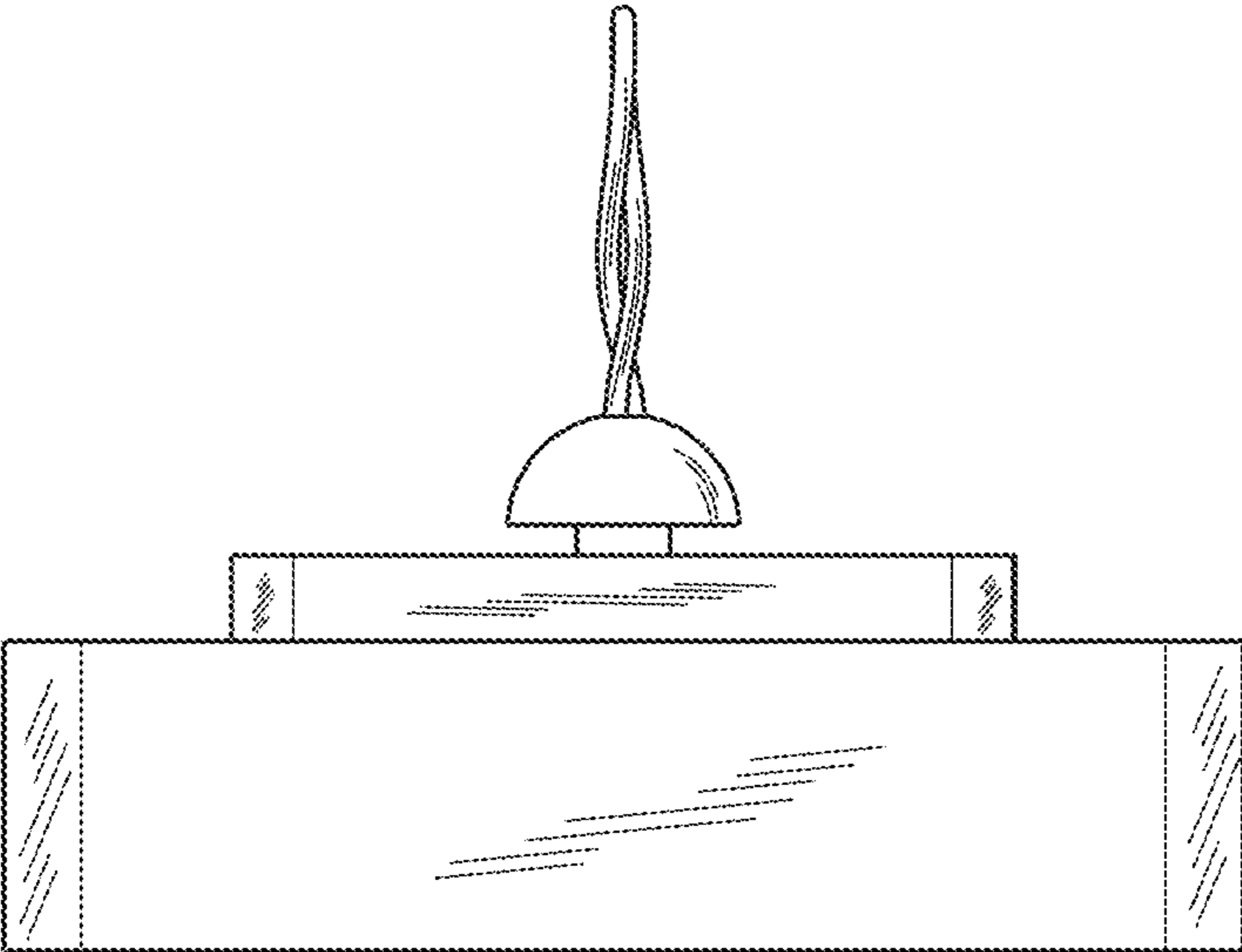
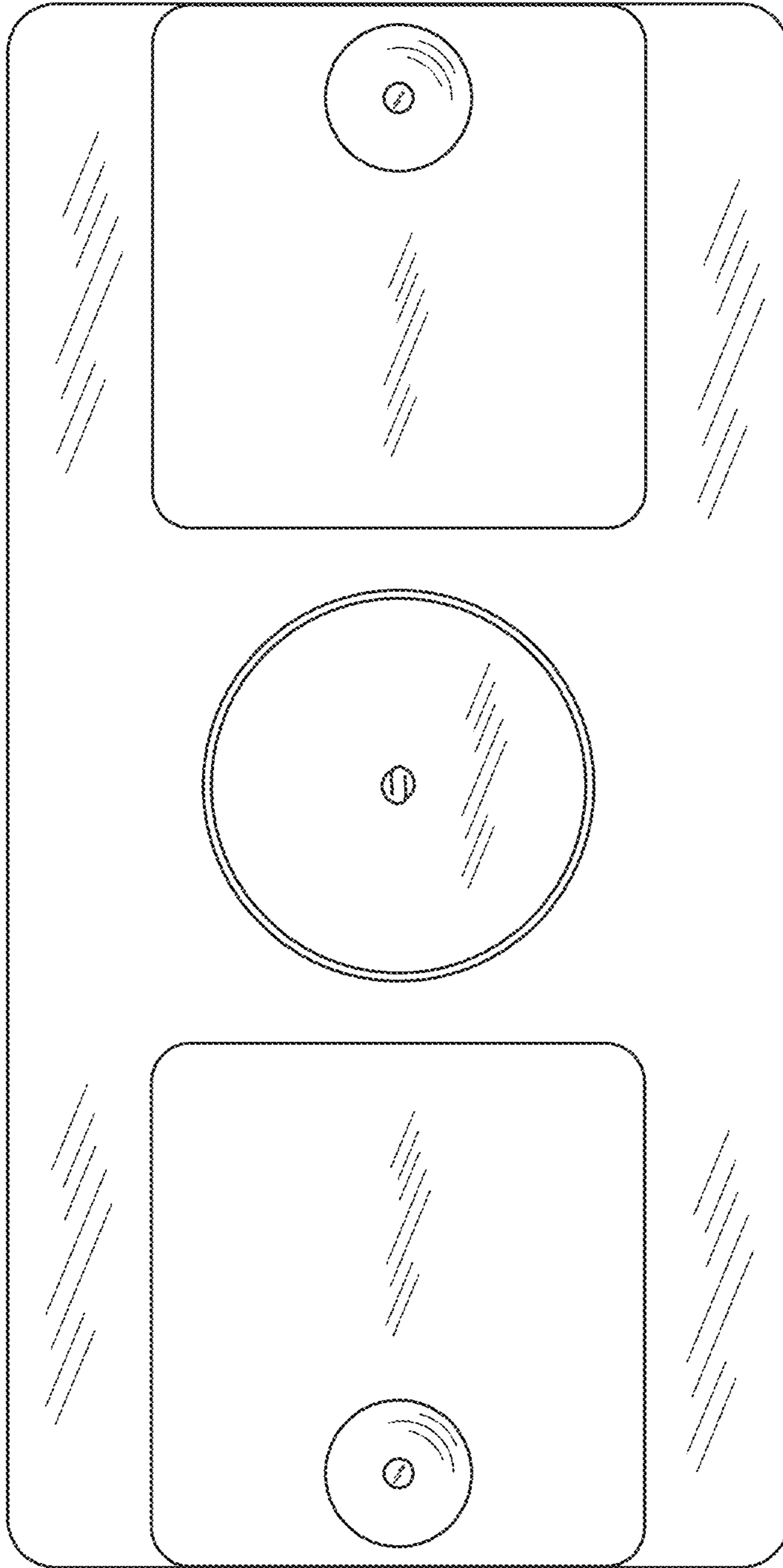
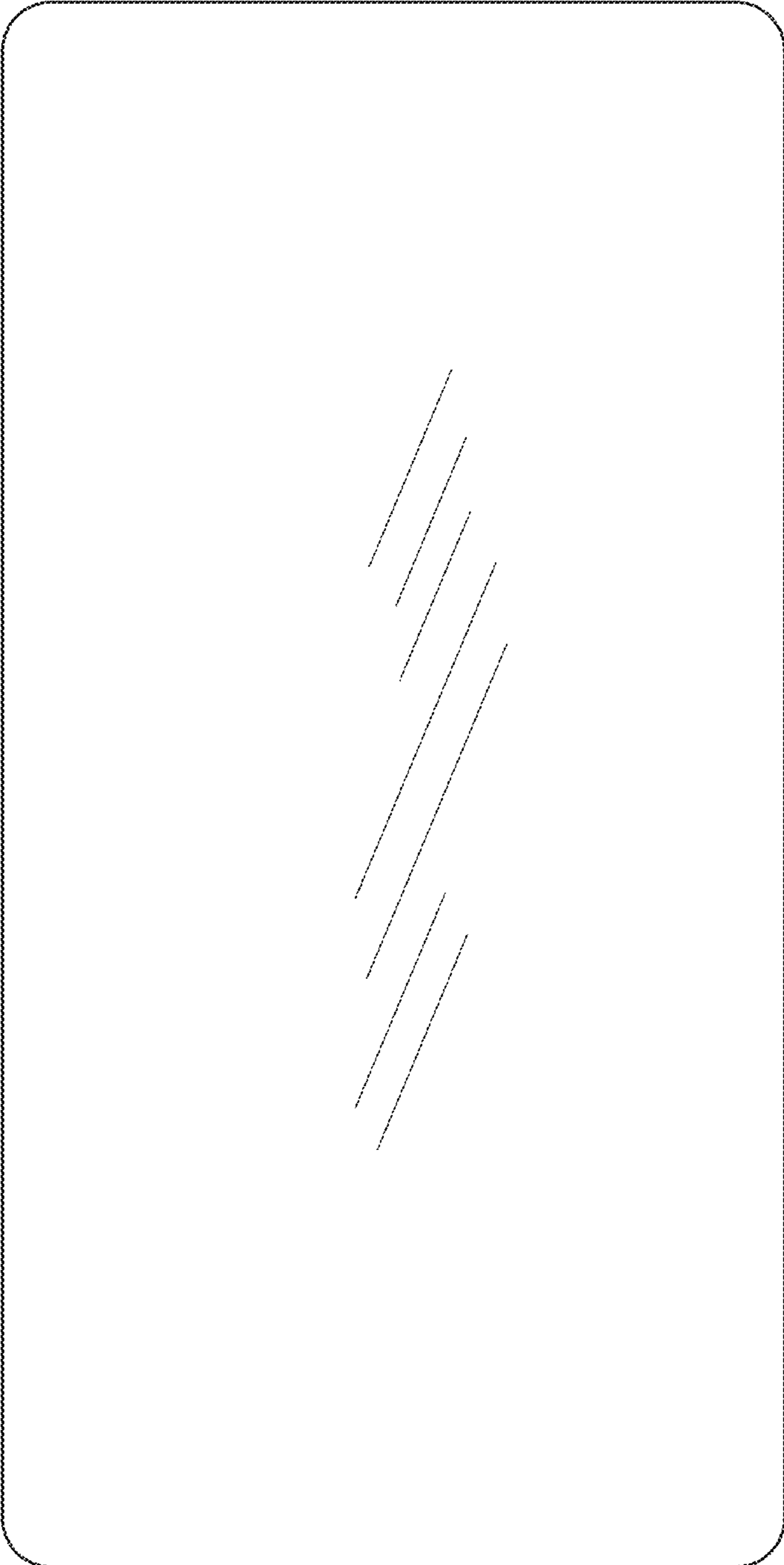


FIG.5



**FIG.6**





**FIG.7**

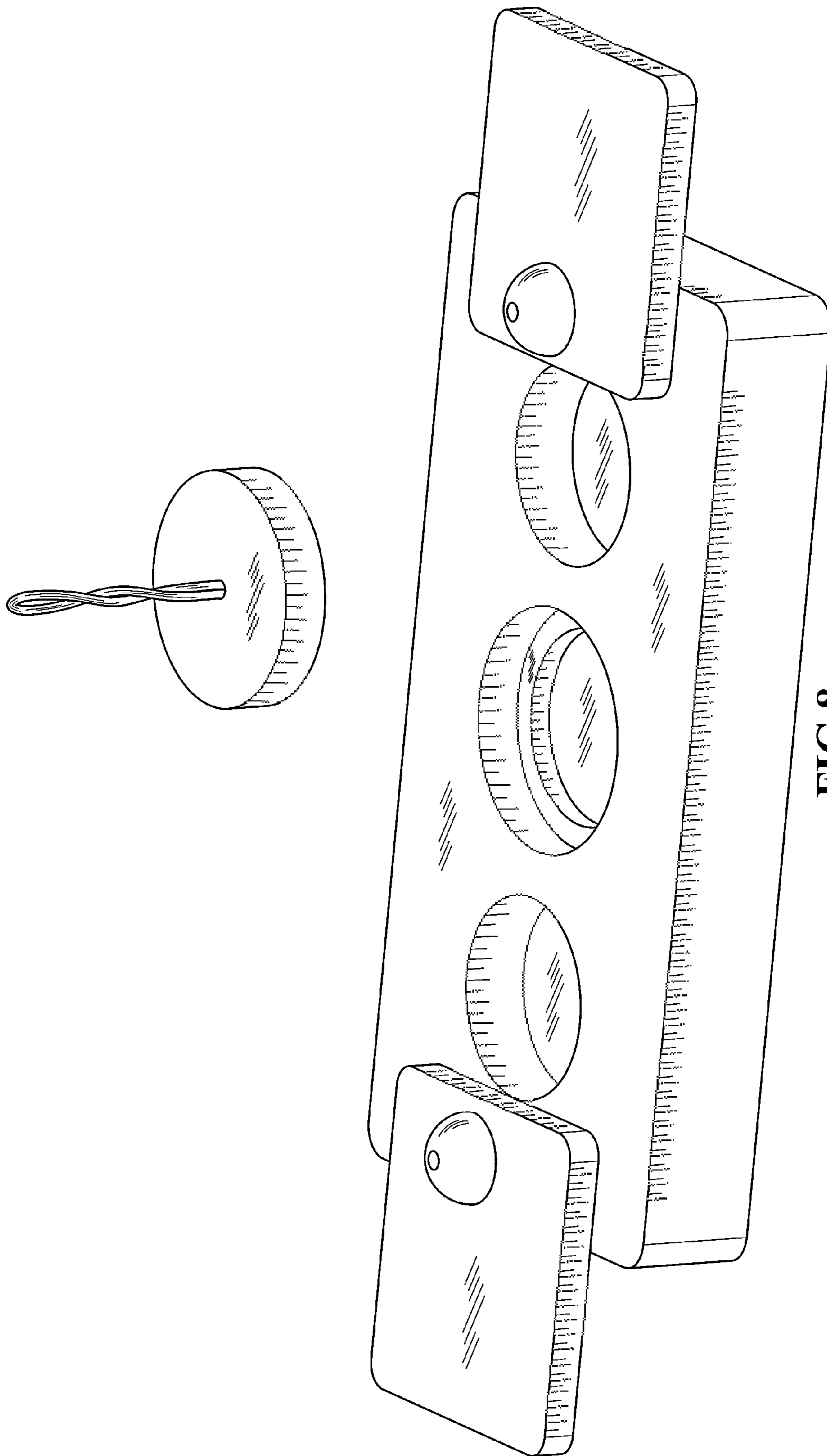


FIG.8