



US00D968023S

(12) **United States Design Patent**  
**Müller**

(10) **Patent No.:** **US D968,023 S**

(45) **Date of Patent:** **\*\* Oct. 25, 2022**

- (54) **SAFETY RAZOR**
- (71) Applicant: **Hans-Jürgen Müller GmbH & Co.KG**, Stützengrün (DE)
- (72) Inventor: **Andreas Müller**, Stützengrün (DE)
- (\*\*) Term: **15 Years**
- (21) Appl. No.: **35/511,762**
- (22) Filed: **Dec. 14, 2020**
- (80) **Hague Agreement Data**  
 Int. Filing Date: **Dec. 14, 2020**  
 Int. Reg. No.: **DM/213766**  
 Int. Reg. Date: **Dec. 14, 2020**  
 Int. Reg. Pub. Date: **Apr. 30, 2021**
- (51) **LOC (13) Cl.** ..... **28-03**
- (52) **U.S. Cl.**  
 USPC ..... **D28/46**  
 CPC ..... **B26B 21/00** (2013.01)
- (58) **Field of Classification Search**  
 USPC ..... D28/46-48  
 CPC ..... B26B 21/00-06; B26B 21/08-38; B26B 21/44-50; B26B 21/405-4056; B26B 21/52-528  
 See application file for complete search history.

- 2,865,096 A \* 12/1958 Hanset ..... B26B 21/24 30/40
- D193,778 S \* 10/1962 Nigro ..... D28/48
- D204,672 S \* 5/1966 Glaberson ..... D28/46
- D208,246 S \* 8/1967 Pomper ..... D28/48
- D216,657 S \* 2/1970 Grange ..... D28/46
- D221,121 S \* 7/1971 Jerusalemi ..... D28/46
- 3,626,591 A \* 12/1971 Robey ..... B26B 21/00 30/54
- D228,315 S \* 9/1973 Glaberson ..... D28/46
- D231,050 S \* 3/1974 Gray ..... D28/46
- D239,060 S \* 3/1976 Rees ..... D28/46
- D252,528 S \* 7/1979 Harshberger ..... D28/46
- D467,387 S \* 12/2002 Wonderley ..... D28/45
- D765,912 S \* 9/2016 Thi Minh Vinh ..... D28/48
- D816,271 S \* 4/2018 Huang ..... D28/46
- D841,241 S \* 2/2019 Everard ..... D28/46
- D843,657 S \* 3/2019 Khubani ..... D28/46
- D844,897 S \* 4/2019 Howsam ..... D28/46
- D874,726 S \* 2/2020 Everard ..... D28/46
- D875,314 S \* 2/2020 Makabi ..... D28/48
- D875,315 S \* 2/2020 Makabi ..... D28/48
- D901,776 S \* 11/2020 Faktorovich ..... D28/46

(Continued)

**FOREIGN PATENT DOCUMENTS**

DE 102020125359 A1 \* 3/2022 ..... B26B 21/18

**OTHER PUBLICATIONS**

Mulhle Companion Unisex Safety Razor (Year: 2022).\*

*Primary Examiner* — Richard E Chilcot

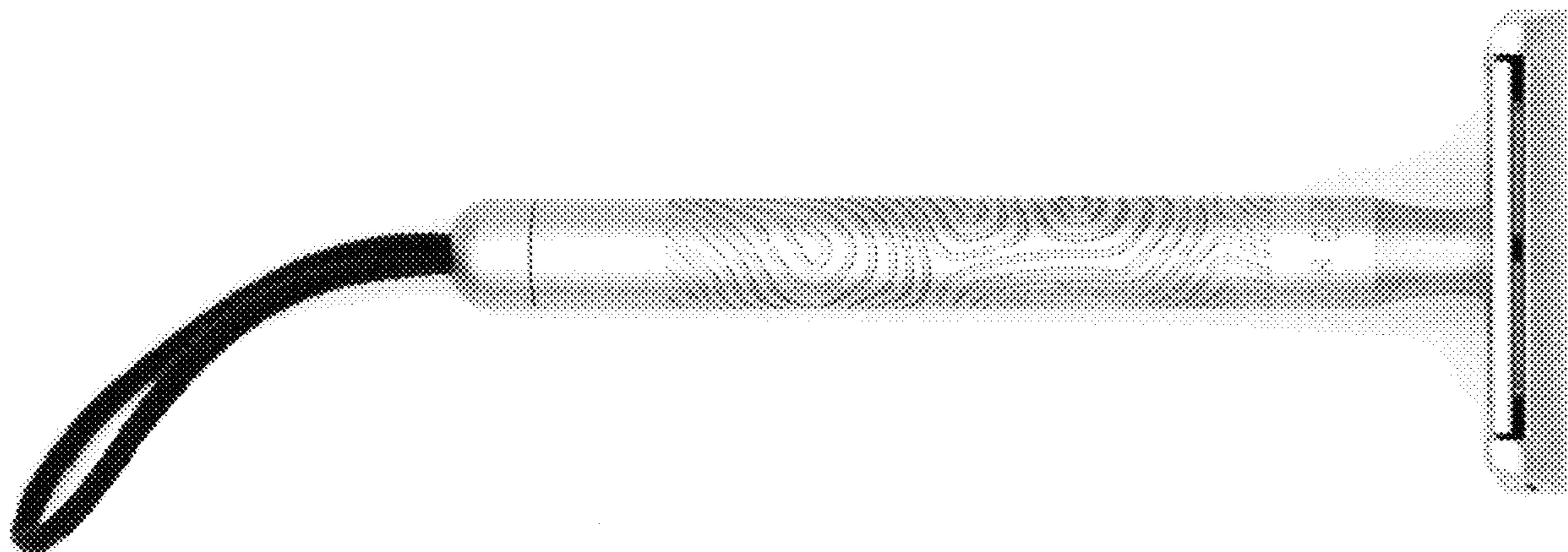
(57) **CLAIM**

The ornamental design for a safety razor, as shown and described.

**DESCRIPTION**

- 1. Safety razor
- 1.1 : Top
- 1.2 : Right
- 1.3 : Exploded and enlarged

**1 Claim, 3 Drawing Sheets**



(56)

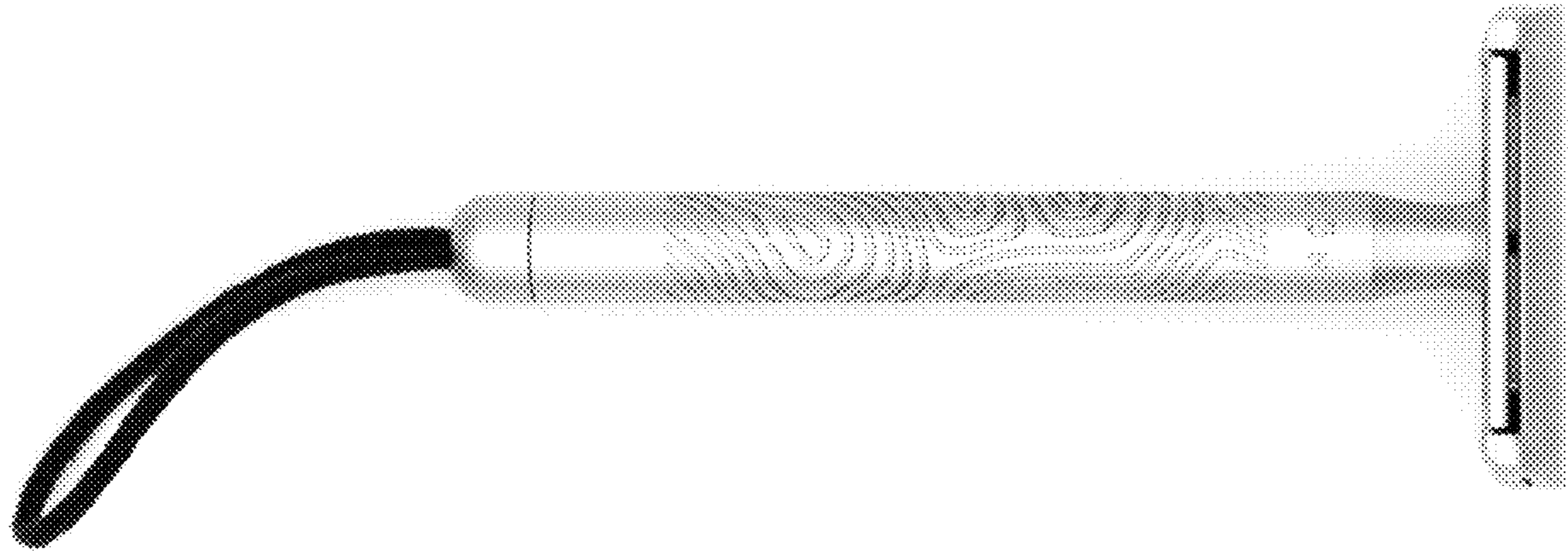
**References Cited**

U.S. PATENT DOCUMENTS

2018/0161999 A1\* 6/2018 Depaz ..... B26B 21/521  
2018/0290319 A1\* 10/2018 Horton ..... B26B 21/16

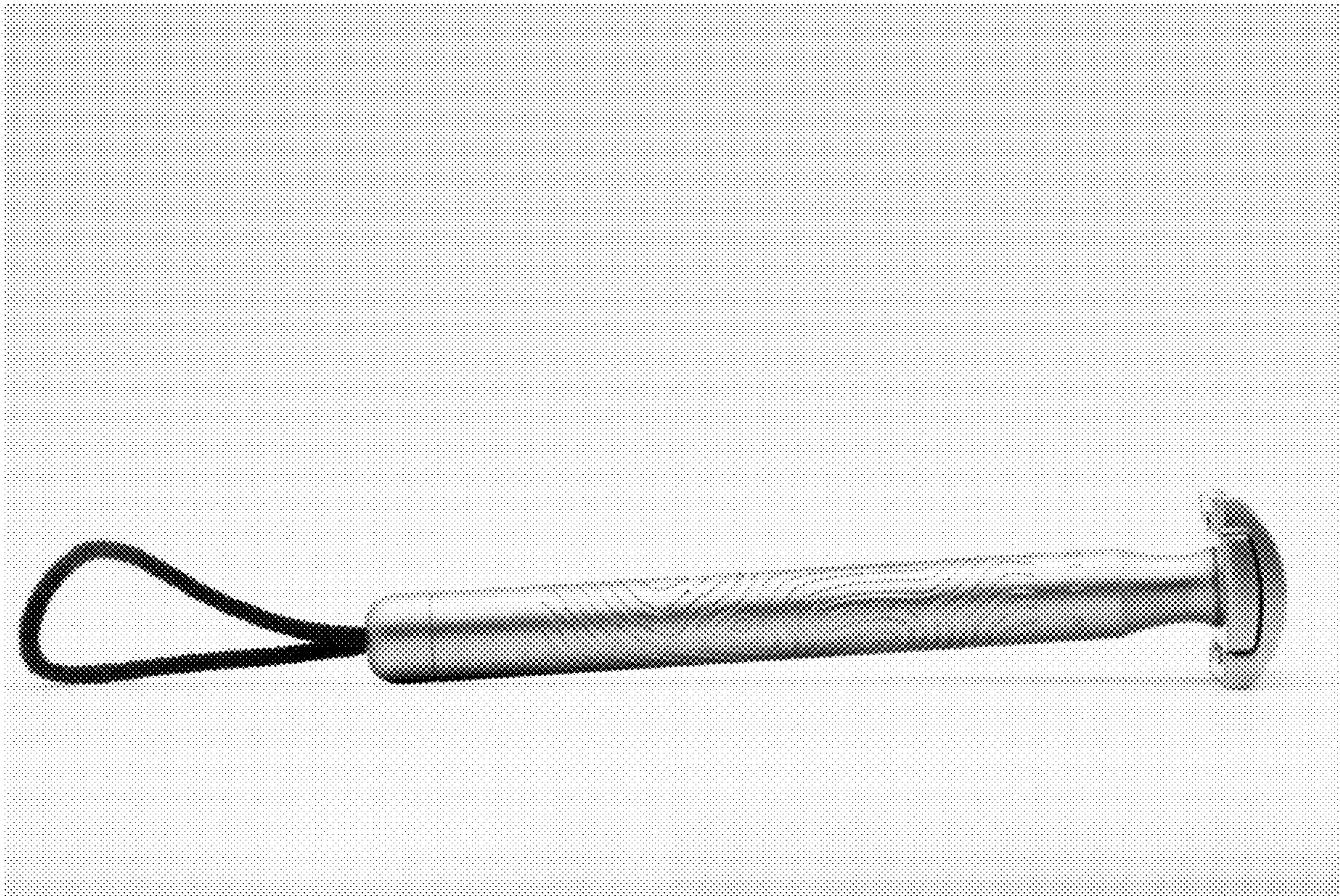
\* cited by examiner

1.1





1.2





# 1.3

