

US00D968018S

(12) **United States Design Patent** (10) **Patent No.:** **US D968,018 S**
Filleul et al. (45) **Date of Patent:** **** Oct. 25, 2022**

(54) **MOUTHPIECE OF AN ELECTRONIC VAPING DEVICE**

(71) Applicant: **Altria Client Services LLC**,
Richmond, VA (US)

(72) Inventors: **Bayden Filleul**, Dublin (IE); **Michael Nolan**, Dublin (IE); **Florent Cuchet**, Stockholm (SE)

(73) Assignee: **Altria Client Services LLC**,
Richmond, VA (US)

(**) Term: **15 Years**

(21) Appl. No.: **29/657,300**

(22) Filed: **Jul. 20, 2018**

(30) **Foreign Application Priority Data**

Jan. 24, 2018	(EM)	004678688-0001
Jan. 24, 2018	(EM)	004678688-0002
Jan. 24, 2018	(EM)	004678688-0003
Jan. 24, 2018	(EM)	004678688-0004
Jan. 24, 2018	(EM)	004678688-0005
Jan. 24, 2018	(EM)	004678688-0006
Jan. 24, 2018	(EM)	004678688-0007
Jan. 24, 2018	(EM)	004678688-0008
Jan. 24, 2018	(EM)	004678688-0009
Jan. 24, 2018	(EM)	004678688-0010
Jan. 24, 2018	(EM)	004678688-0011
Jan. 24, 2018	(EM)	004678688-0012

(51) **LOC (13) Cl.** **27-02**

(52) **U.S. Cl.**
USPC **D27/169**

(58) **Field of Classification Search**
USPC D27/169, 162, 163-165, 167, 168, 170,
D27/171, 172, 180, 183, 185-194;
D24/110.5

(Continued)

(56) **References Cited**

U.S. PATENT DOCUMENTS

D644,375 S 8/2011 Zhou
D658,807 S * 5/2012 Aboushi D27/169
(Continued)

OTHER PUBLICATIONS

Office Action for corresponding U.S. Appl. No. 29/657,303 dated Oct. 4, 2019.

(Continued)

Primary Examiner — Rebecca Tsehaye

(74) *Attorney, Agent, or Firm* — Harness, Dickey & Pierce, P.L.C.

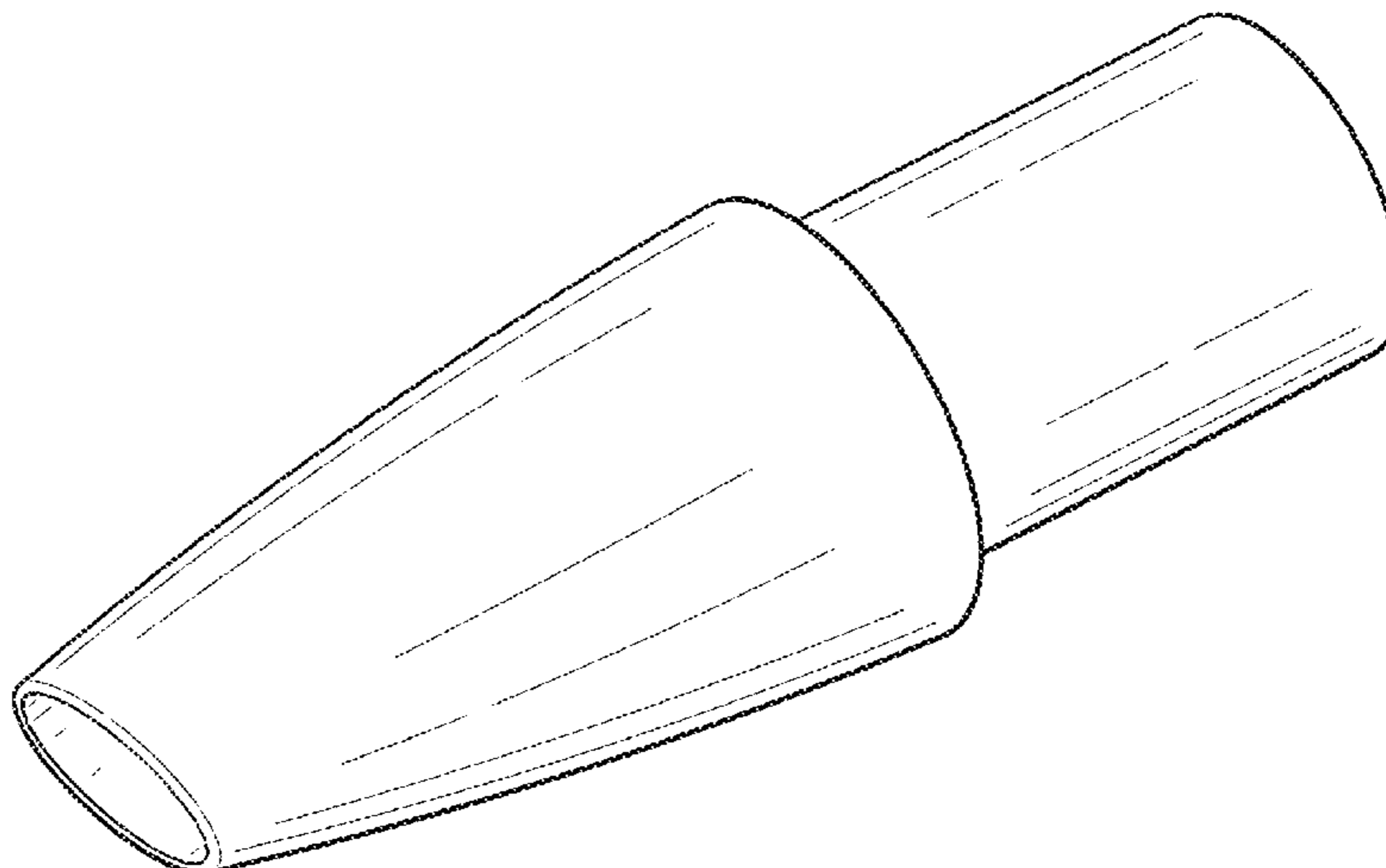
(57) **CLAIM**

The ornamental design for a mouthpiece of an electronic vaping device, as shown and described.

DESCRIPTION

FIG. 1 is a front-top perspective view of a mouthpiece of an electronic vaping device;
FIG. 2 is a front view of the mouthpiece of an electronic vaping device shown in FIG. 1;
FIG. 3 is a rear view of the mouthpiece of an electronic vaping device shown in FIG. 1;
FIG. 4 is a left side view of the mouthpiece of an electronic vaping device shown in FIG. 1;
FIG. 5 is a right side view of the mouthpiece of an electronic vaping device shown in FIG. 1;
FIG. 6 is a top view of the mouthpiece of an electronic vaping device shown in FIG. 1; and,
FIG. 7 is a bottom view of the mouthpiece of an electronic vaping device shown in FIG. 1.

(Continued)



The broken lines in the drawings depict portions of the mouthpiece of an electronic vaping device that form no part of the claimed design.

1 Claim, 7 Drawing Sheets

(58) **Field of Classification Search**

CPC A61M 15/0021; G10K 5/00
See application file for complete search history.

(56) **References Cited**

U.S. PATENT DOCUMENTS

D693,053 S	*	11/2013	Chen	D27/101
D695,450 S		12/2013	Benassayag et al.		
D720,094 S		12/2014	Alima		
D720,095 S		12/2014	Alima		
D720,496 S		12/2014	Alima		
D720,881 S		1/2015	Liu		
D720,882 S		1/2015	Albanese		
D723,216 S		2/2015	Chen		
D761,998 S		7/2016	Pinder		
D779,722 S		2/2017	Volodarsky		
D782,728 S	*	3/2017	Pinder	D27/101
D790,122 S		6/2017	Hawes et al.		
D799,745 S		10/2017	Qiu		
D800,383 S		10/2017	Verleur et al.		
D802,839 S	*	11/2017	Scott	D27/194
D805,246 S		12/2017	Fakhouri		
D805,684 S		12/2017	Thuery		
D809,190 S		1/2018	Schuler et al.		
D813,445 S		3/2018	Scott		
D813,447 S		3/2018	Watson		
D814,694 S	*	4/2018	Watson	D27/194
D818,636 S		5/2018	Qiu		
D818,638 S	*	5/2018	Wright	D27/170
D822,271 S		7/2018	Eksouzian		
D825,099 S		8/2018	Wright et al.		
D825,103 S	*	8/2018	Wright	D27/194
D825,844 S	*	8/2018	Verleur	D27/167
D829,369 S		9/2018	Stone		
D829,370 S		9/2018	Stone		
D829,974 S		10/2018	Stone		
D829,976 S		10/2018	Stone		
D829,977 S		10/2018	Stone		
D829,978 S		10/2018	Stone		
D847,419 S		4/2019	Hawes et al.		
D855,881 S		8/2019	Hawes et al.		
D862,793 S		10/2019	Chang et al.		
D866,061 S		11/2019	Lalehzadeh		

D866,064 S	*	11/2019	Powell	D27/170
D868,360 S	*	11/2019	Stone	D27/101
D868,363 S		11/2019	Stone		
D868,364 S	*	11/2019	Stone	D27/101
D869,747 S		12/2019	Stone		
D871,662 S	*	12/2019	Volodarsky	D27/101
D871,665 S		12/2019	Choe		
D876,719 S		2/2020	Vermette et al.		
D877,409 S		3/2020	Jiang		
D878,671 S		3/2020	Stone		
D882,165 S		4/2020	Ouyang		
D883,566 S	*	5/2020	Filleul	D27/162
D889,034 S		6/2020	Stewart et al.		
D894,478 S		8/2020	Fornarelli		
D901,068 S		11/2020	Stone		
D901,069 S		11/2020	Stone		
D901,757 S		11/2020	Stone		
D901,758 S		11/2020	Stone		
D905,331 S		12/2020	Stone		
D907,285 S		1/2021	Stone		
D907,843 S		1/2021	Stone		
D913,580 S	*	3/2021	Barenboym	D27/170
D920,570 S	*	5/2021	Laidlaw	D27/162
D921,969 S	*	6/2021	Simrell	D27/162
D937,478 S		11/2021	Filleul et al.		
D940,386 S		1/2022	Campitelli		
D943,143 S		2/2022	Zuber et al.		
D943,806 S		2/2022	Filleul et al.		
D945,058 S		3/2022	Rosen et al.		
D946,205 S		3/2022	Rochon		
D948,111 S		4/2022	Benhalima		
D953,614 S		5/2022	Fornarelli		
2019/0166919 A1		6/2019	Yilmaz		
2019/0201639 A1		7/2019	Lutz et al.		

OTHER PUBLICATIONS

Notice of Allowance dated Jan. 8, 2020, issued in corresponding U.S. Appl. No. 29/657,300.
U.S. Office Action dated Nov. 13, 2020, issued in corresponding U.S. Appl. No. 29/657,302.
U.S. Office Action dated Jun. 4, 2021, issued in corresponding U.S. Appl. No. 29/657,302.
U.S. Notice of Allowance dated Oct. 14, 2021, issued in co-pending U.S. Appl. No. 29/657,302.
U.S. Notice of Allowance dated Jul. 21, 2021, issued in co-pending U.S. Appl. No. 29/730,913.
Office Action dated May 27, 2022 issued in corresponding U.S. Appl. No. 29/825,007.
Office Action dated Jun. 16, 2022, issued in corresponding U.S. Appl. No. 29/816,585.

* cited by examiner

FIG. 1

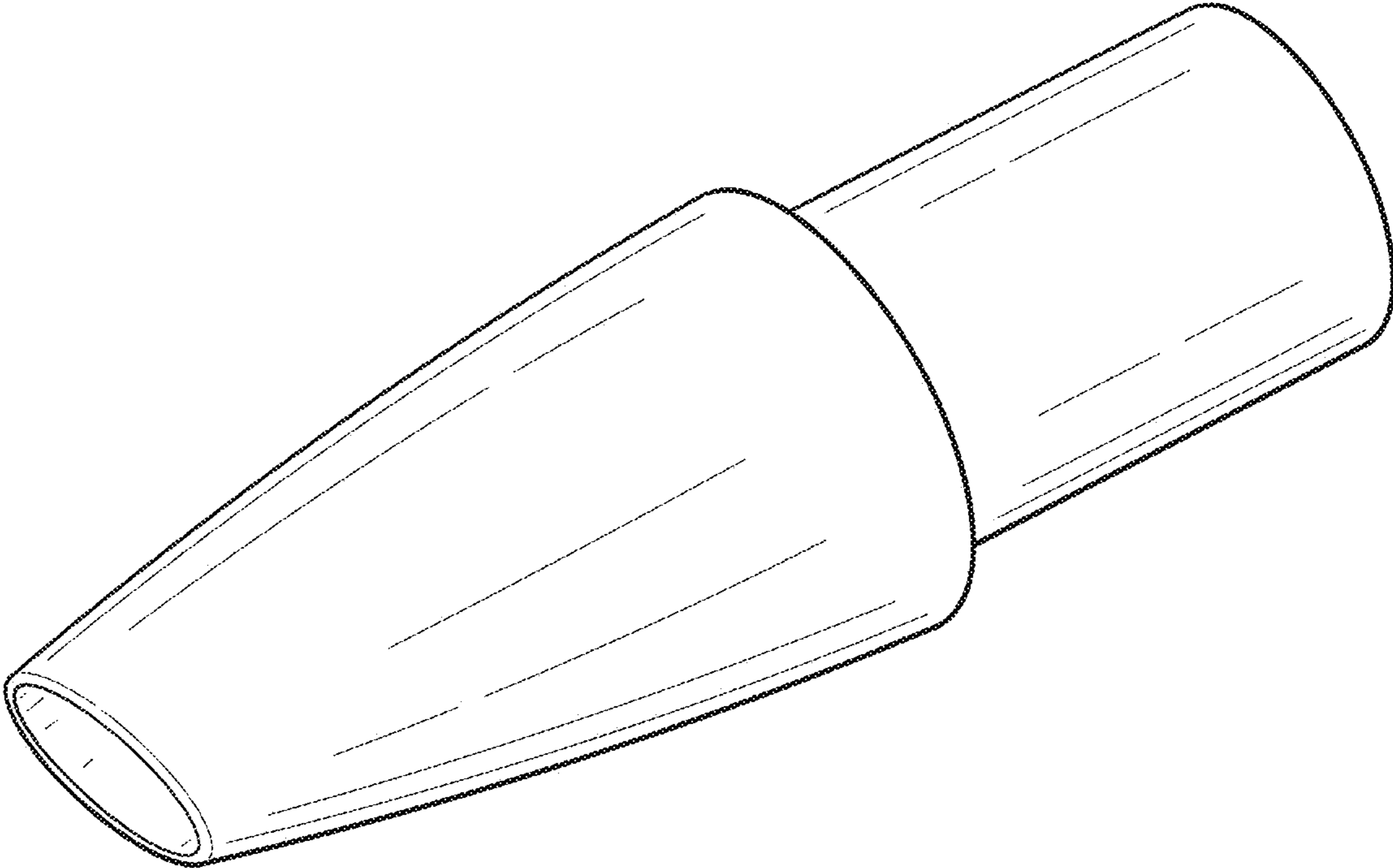


FIG. 2

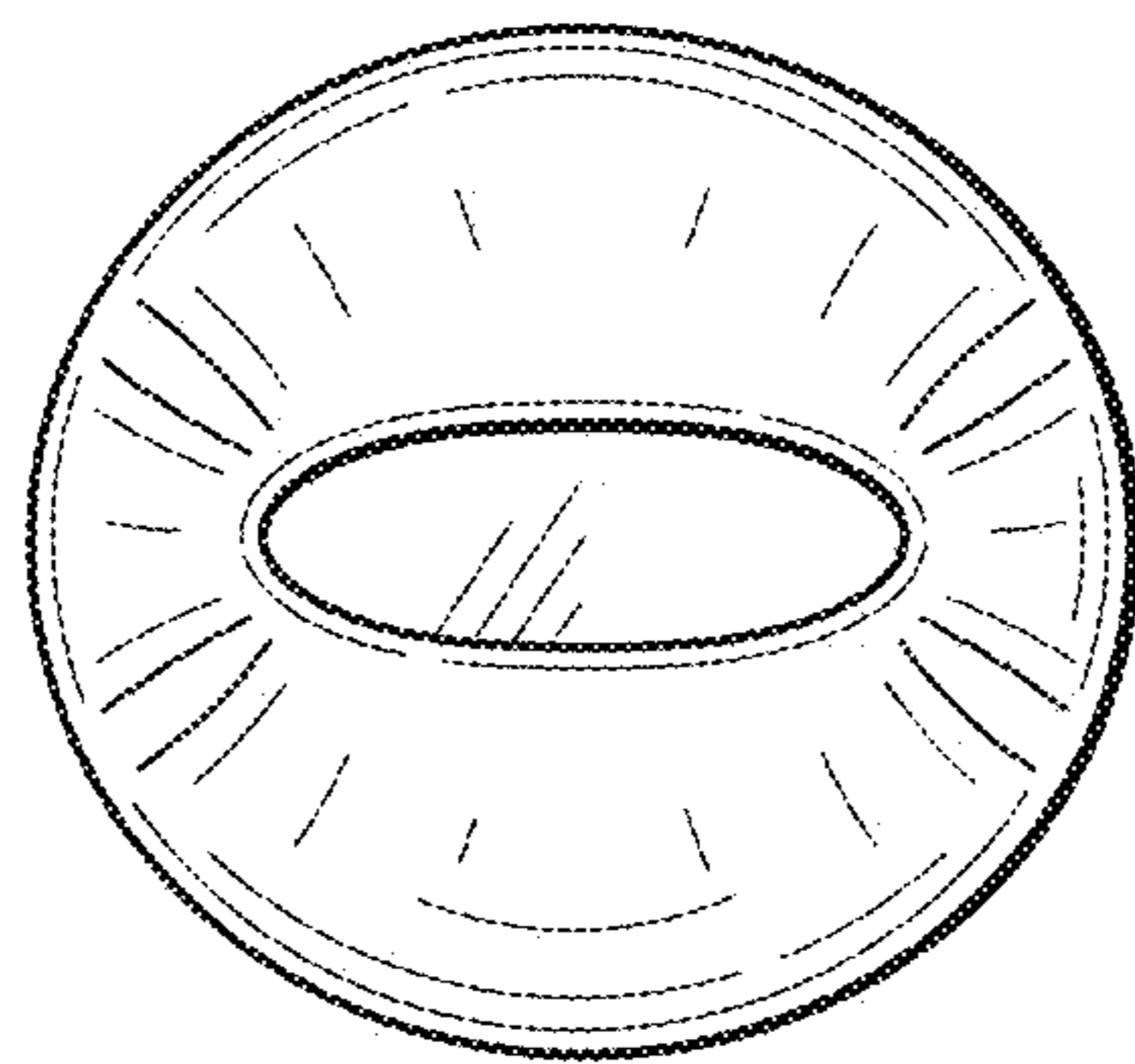


FIG. 3

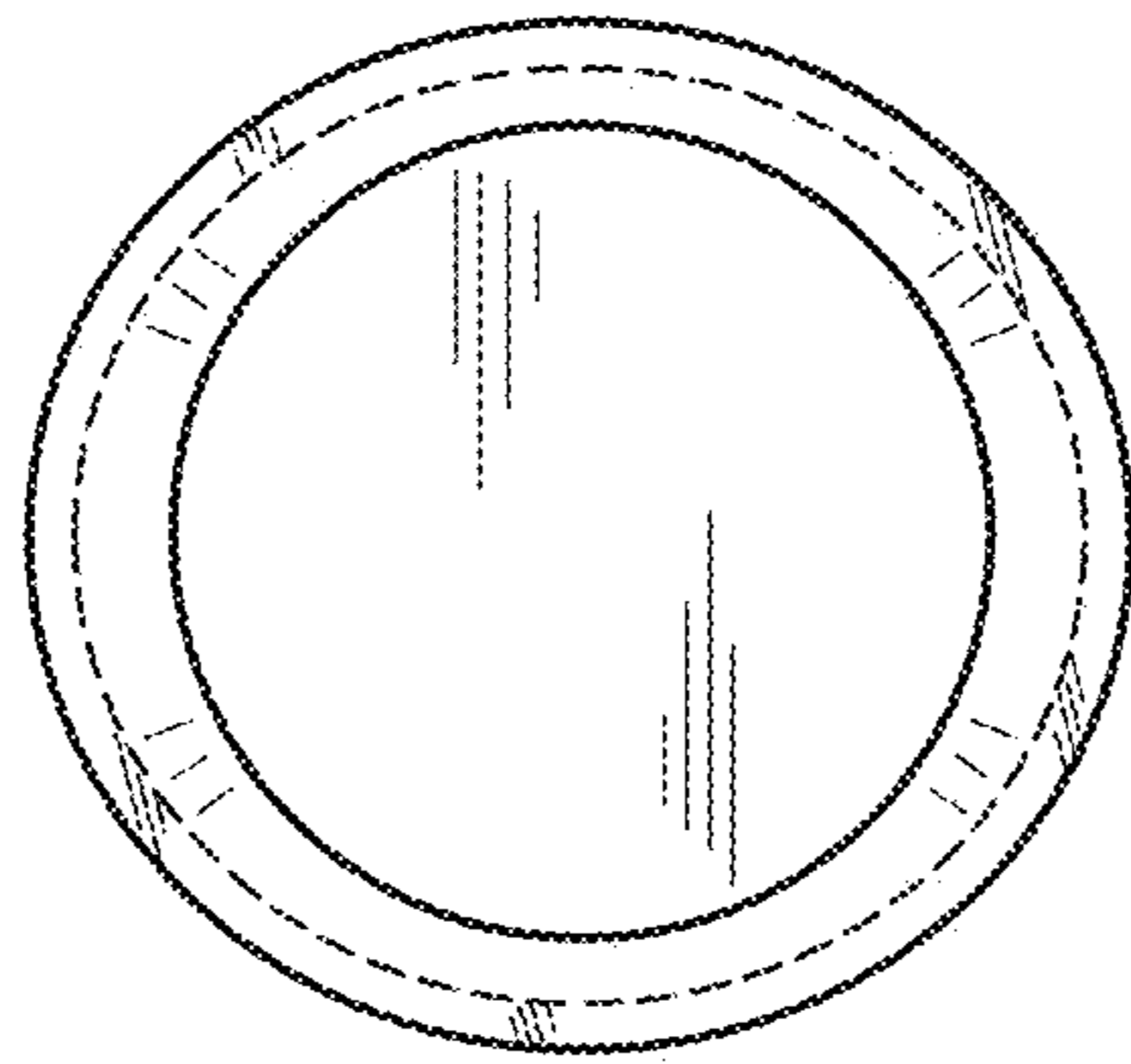


FIG. 4

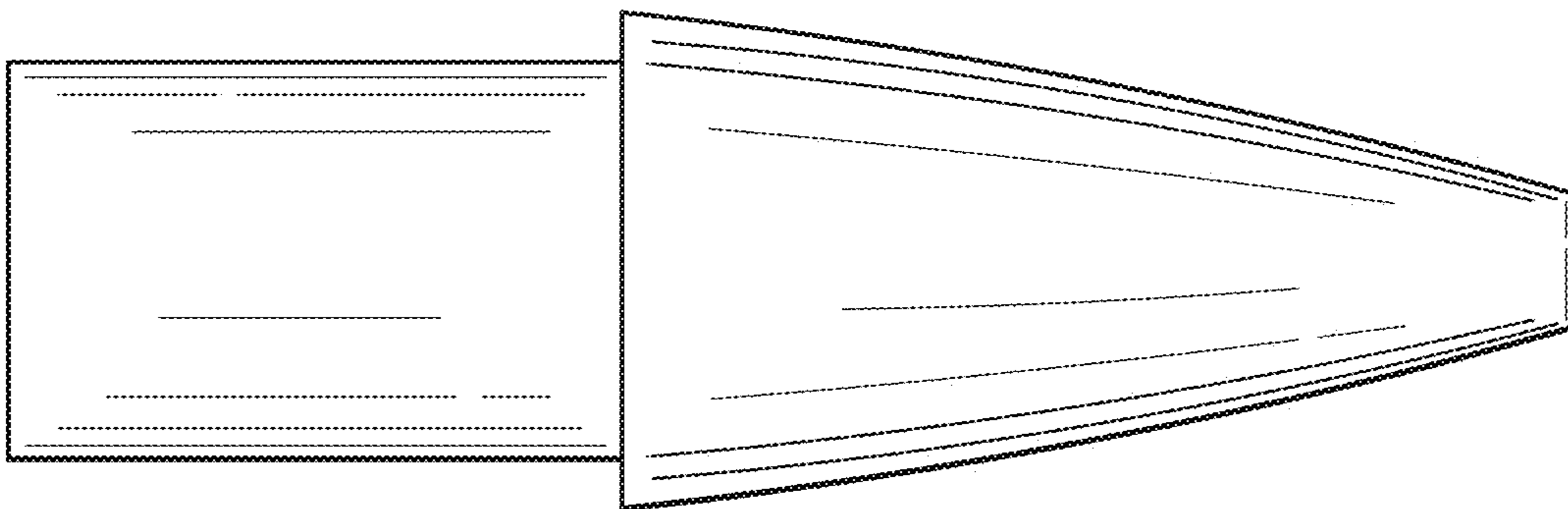


FIG. 5

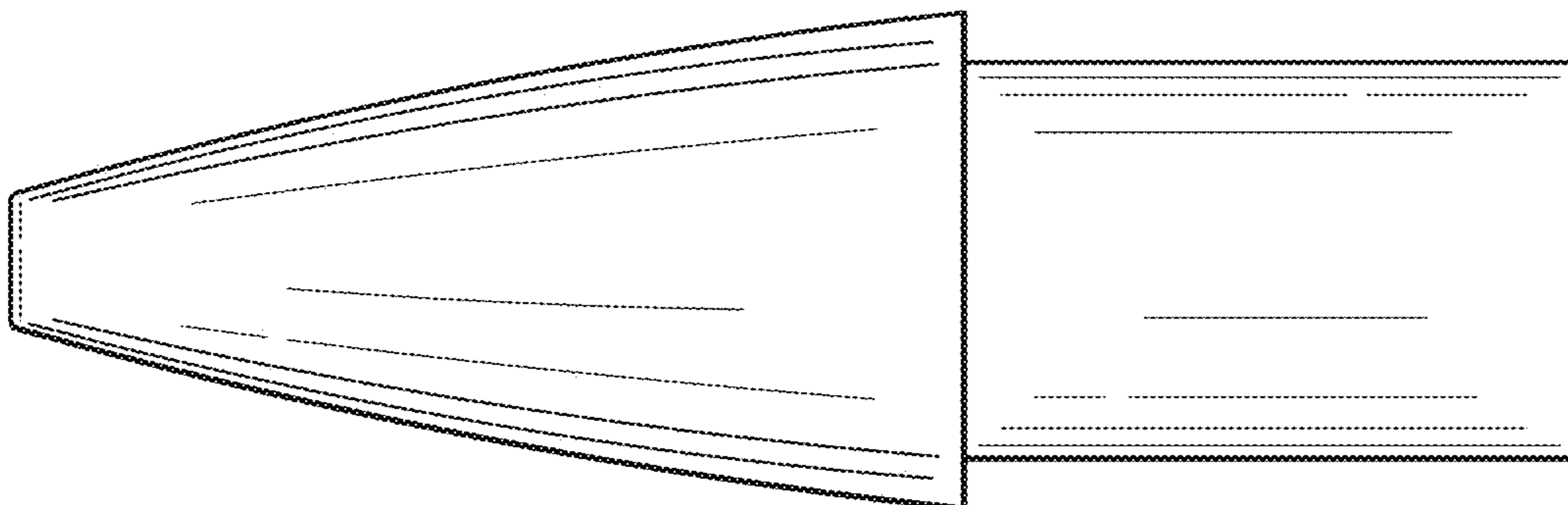


FIG. 6

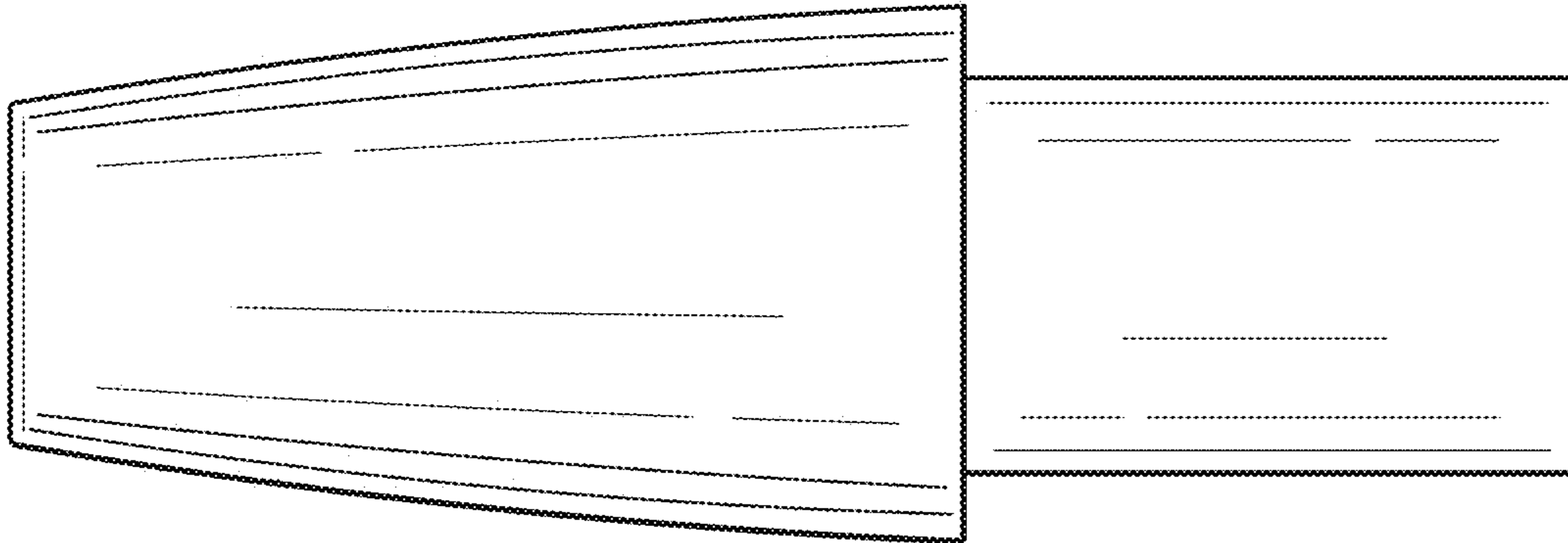


FIG. 7

