



US00D968017S

(12) **United States Design Patent** (10) **Patent No.:** **US D968,017 S**
Yang (45) **Date of Patent:** **** Oct. 25, 2022**

(54) **ATOMIZER FOR ELECTRONIC CIGARETTE**

(71) Applicant: **Shenzhen jifung Technology Co., LTD**, Shenzhen (CN)

(72) Inventor: **Wanzi Yang**, Shenzhen (CN)

(73) Assignee: **Shenzhen jifung Technology Co., LTD**, Shenzhen (CN)

(**) Term: **15 Years**

(21) Appl. No.: **29/835,161**

(22) Filed: **Apr. 15, 2022**

(51) **LOC (13) Cl.** **27-02**

(52) **U.S. Cl.**
USPC **D27/162**

(58) **Field of Classification Search**
USPC D27/162, 100, 101, 163–165, 167, 169,
D27/172, 174–176, 183, 185–194;
D24/110, 110.5; D9/516, 522, 523, 545,
D9/549, 551; D23/360, 366
CPC A24F 47/002; A24F 47/006; A24F 47/008;
A61M 15/00; A61M 15/06
See application file for complete search history.

(56) **References Cited**

U.S. PATENT DOCUMENTS

D753,336 S	*	4/2016	Chen	D27/101
D771,867 S	*	11/2016	Leidel	D27/163
D773,114 S	*	11/2016	Leidel	D27/163
D775,762 S	*	1/2017	Chen	D27/101
D799,746 S	*	10/2017	Leidel	D27/163
D800,377 S	*	10/2017	Liu	D27/101
D819,880 S	*	6/2018	Qiu	D27/101
D819,882 S	*	6/2018	Qiu	D27/101
D823,534 S		7/2018	Chen		
D853,635 S		7/2019	Chen		
D854,236 S	*	7/2019	Qiu	D27/101

D855,249 S	*	7/2019	Qiu	D27/162
D855,250 S	*	7/2019	Qiu	D27/162
D871,666 S	*	12/2019	Qiu	D27/163
D890,416 S	*	7/2020	Ouyang	D27/162
D907,288 S	*	1/2021	Liu	D27/162
D910,907 S	*	2/2021	Liu	D27/162
D914,278 S	*	3/2021	Luo	D27/162
D924,477 S	*	7/2021	Liu	D27/162
D927,771 S	*	8/2021	Wang	D27/101
D932,093 S	*	9/2021	Shi	D27/162
D932,095 S	*	9/2021	Liu	D27/162
D939,762 S	*	12/2021	Liu	D27/162
D942,674 S	*	2/2022	Ouyang	D27/162
D943,164 S	*	2/2022	Liu	D27/162
D943,814 S	*	2/2022	Liu	D27/162
D947,447 S	*	3/2022	Liu	D27/162
D949,464 S	*	4/2022	Liu	D27/162

* cited by examiner

Primary Examiner — Rebecca Tsehaye

(74) *Attorney, Agent, or Firm* — Jeenam Park

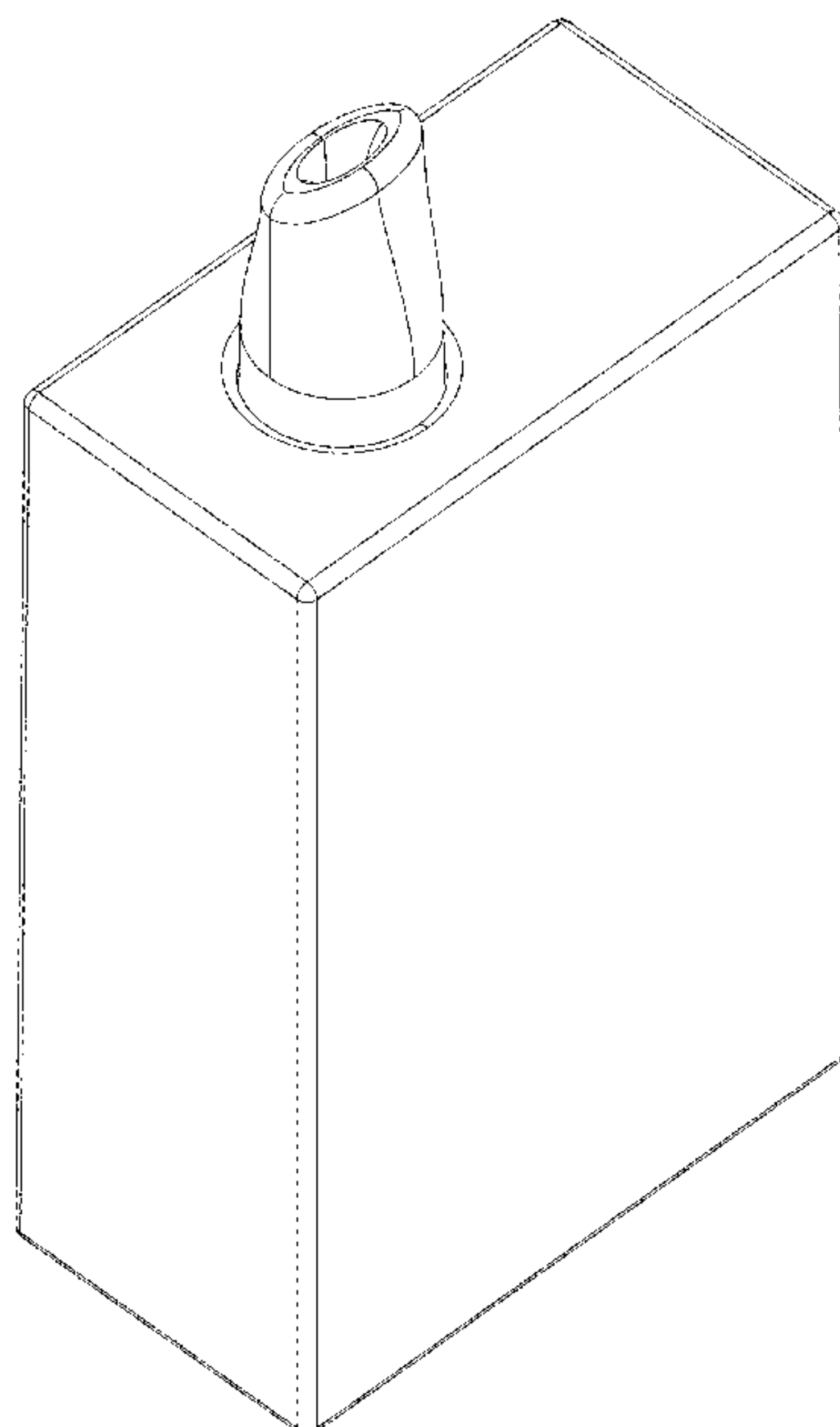
(57) **CLAIM**

The ornamental design for an atomizer for electronic cigarette, as shown and described.

DESCRIPTION

FIG. 1 is a perspective view of an atomizer for electronic cigarette, showing my new design;
FIG. 2 is another perspective view thereof;
FIG. 3 is a front view thereof;
FIG. 4 is a rear view thereof;
FIG. 5 is a left side view thereof;
FIG. 6 is a right side view thereof;
FIG. 7 is a top plan view thereof; and,
FIG. 8 is a bottom plan view thereof.
The broken lines in the drawings depict portions of the atomizer for electronic cigarette that form no part of the claimed design.

1 Claim, 8 Drawing Sheets



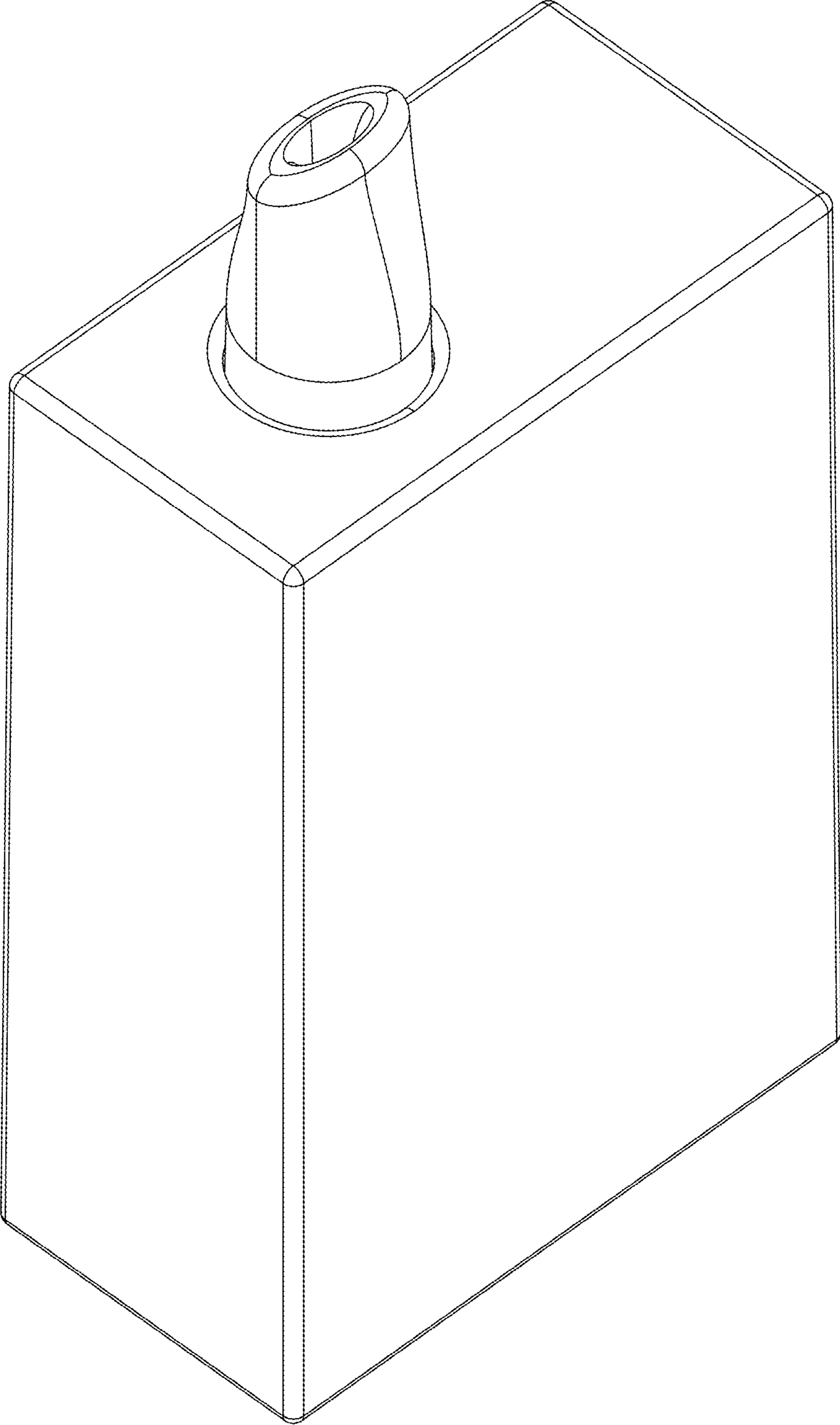


FIG. 1

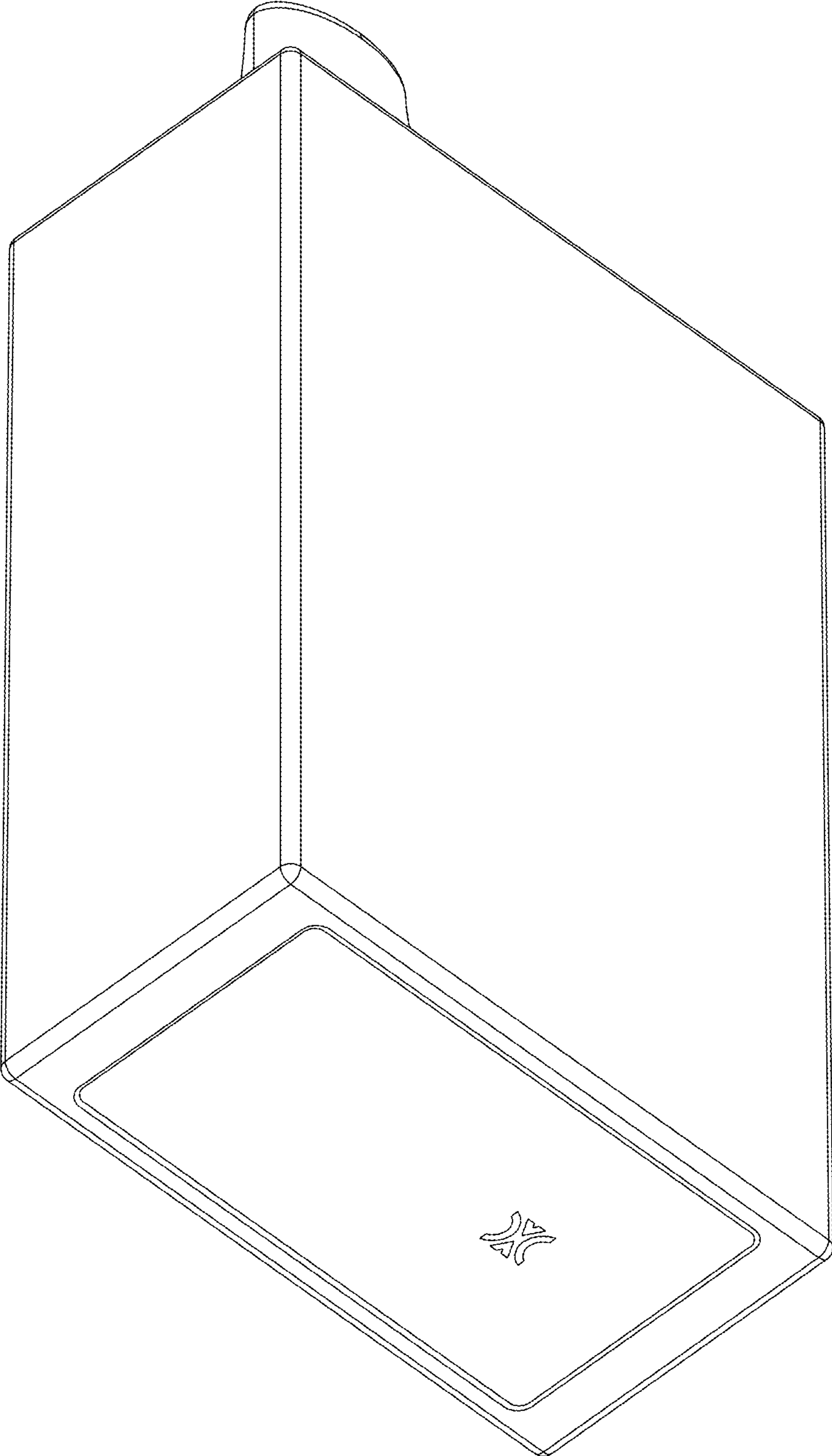


FIG. 2

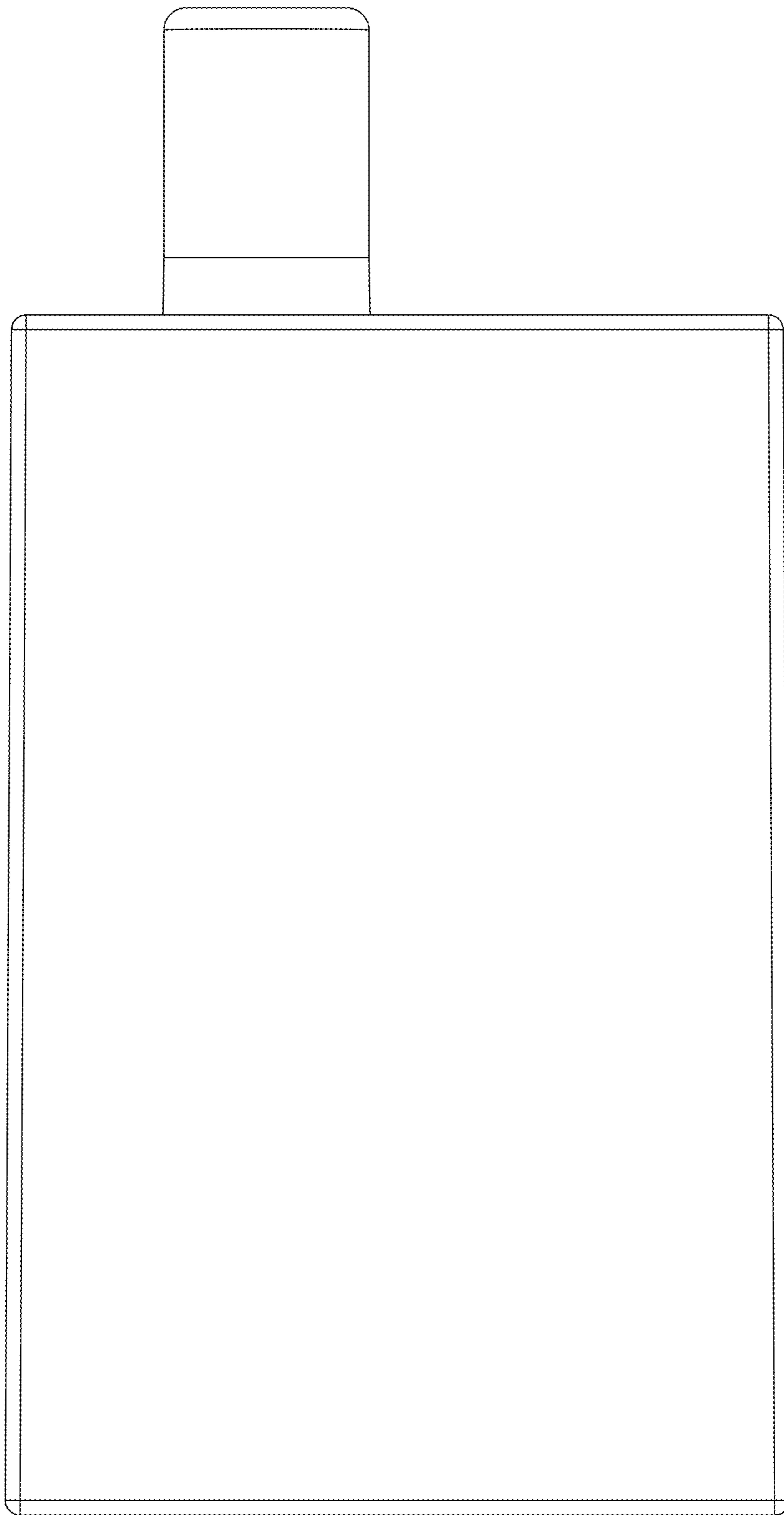


FIG. 3

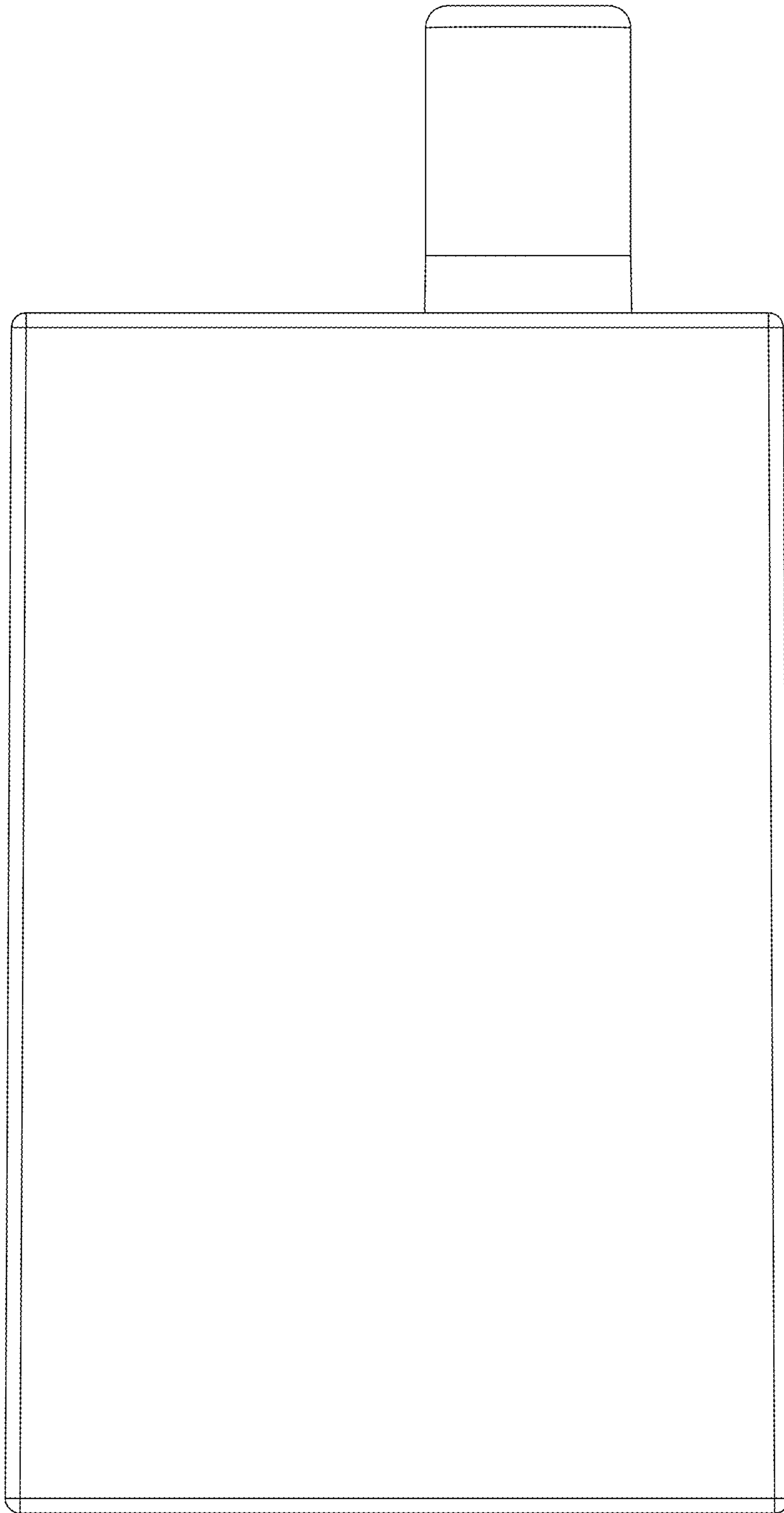


FIG. 4

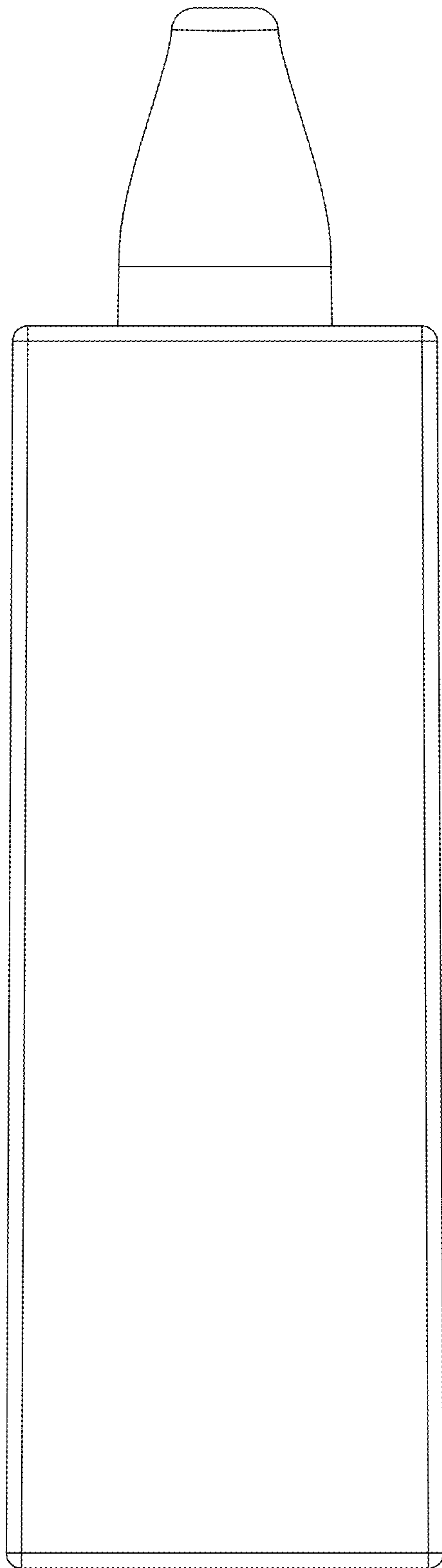


FIG. 5

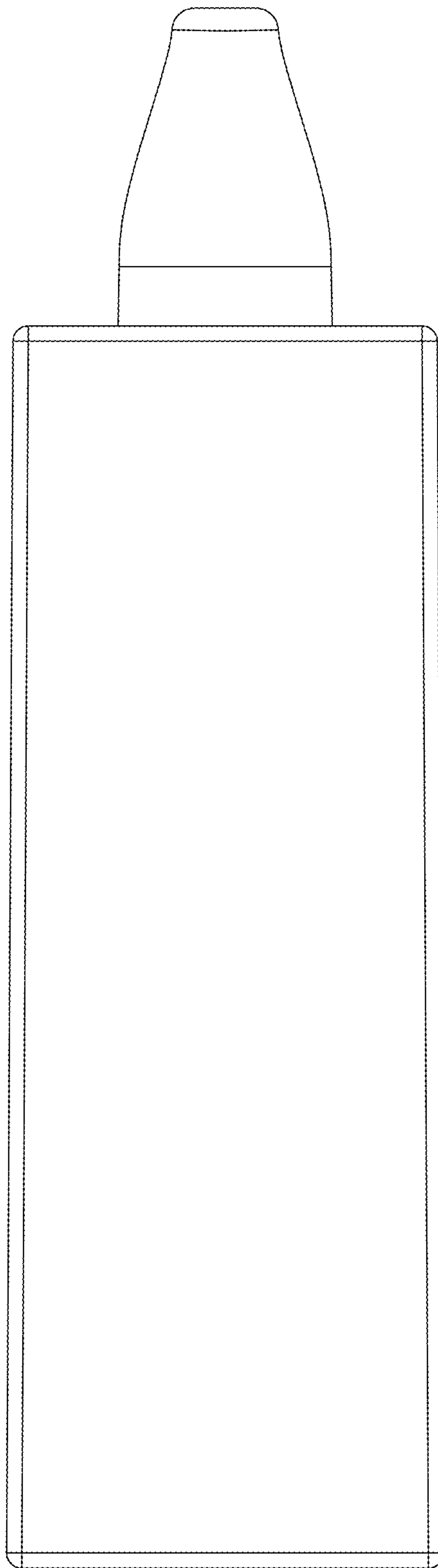


FIG. 6

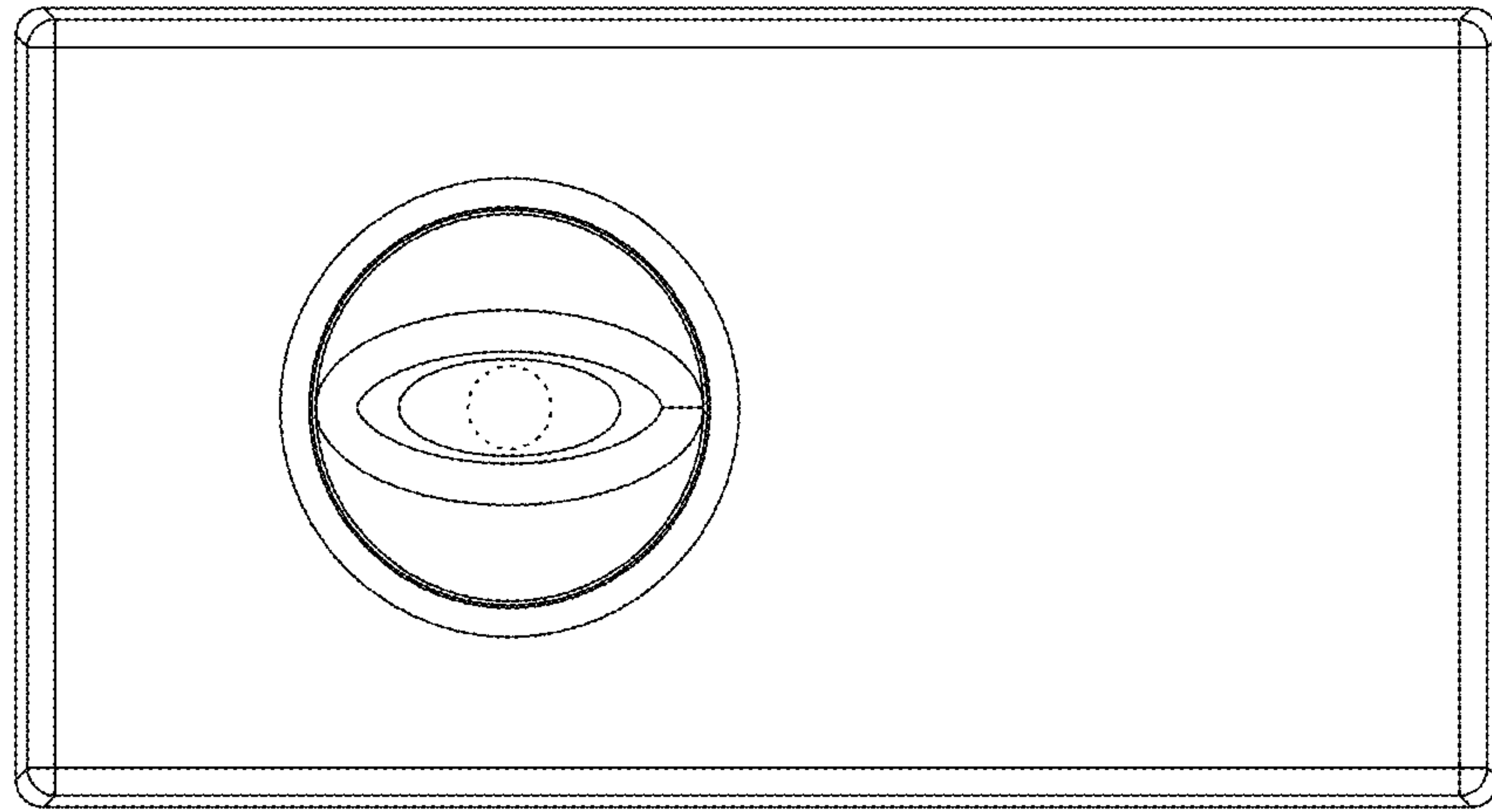


FIG. 7

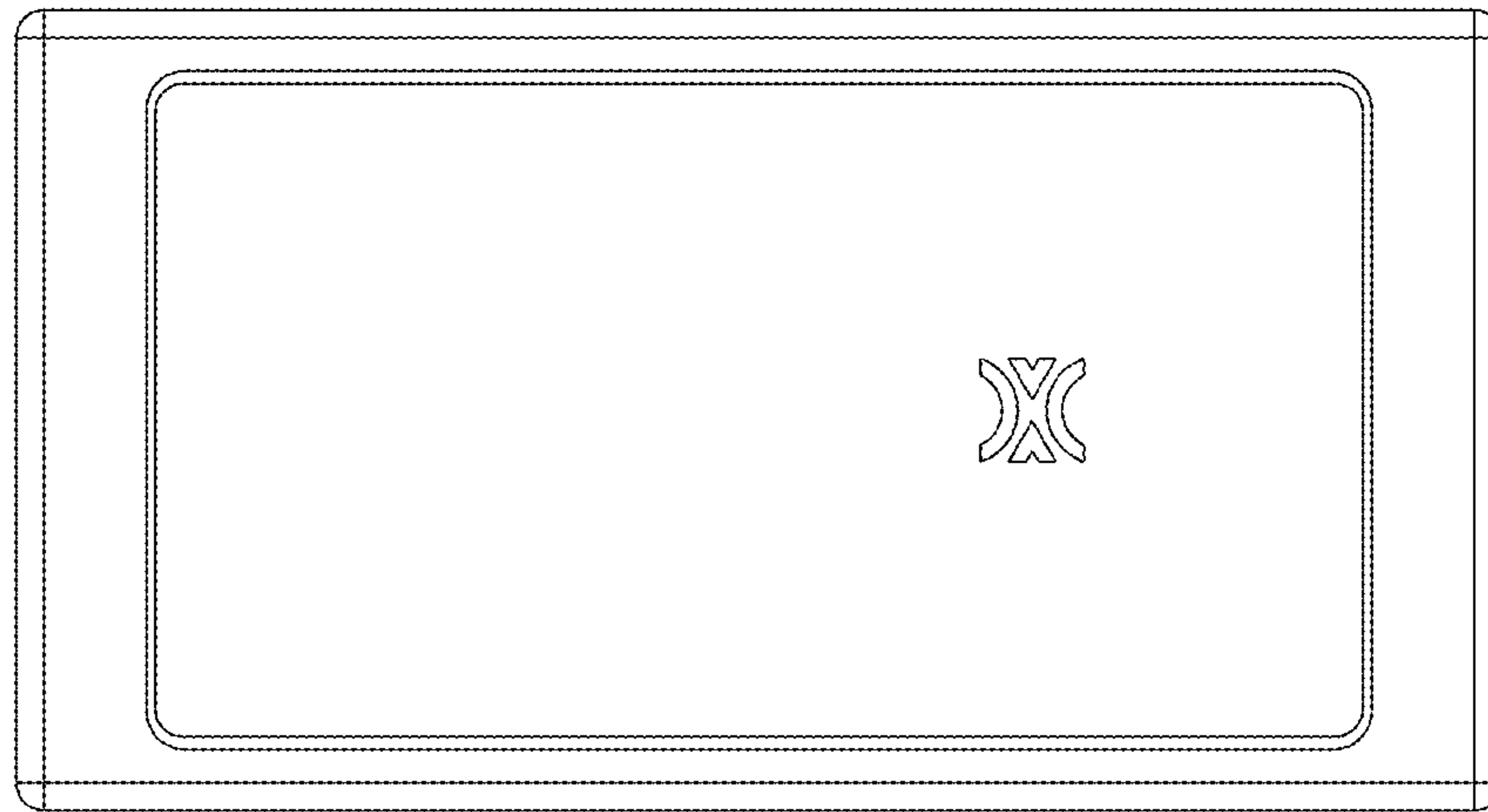


FIG. 8