



US00D968016S

(12) **United States Design Patent** (10) **Patent No.:** **US D968,016 S**
Hsu (45) **Date of Patent:** **** Oct. 25, 2022**

(54) GROUND INSERT	1,616,957 A * 2/1927 Honigbaum A47G 1/22 248/301
(71) Applicant: Dong Guan Jia Sheng Lighting Technology Co., Ltd. China, Dong-Guna (CN)	1,651,392 A * 12/1927 Honigbaum A47G 1/22 411/921
(72) Inventor: Kevin Hsu, Taichung (TW)	D104,117 S * 4/1937 Salzberg D8/389
(73) Assignee: Dong Guan Jia Sheng Lighting Technology Co., Ltd. China, Guang-Dong (CN)	D191,136 S * 8/1961 Cowley D8/98
	D205,375 S * 7/1966 Marotz D8/389
	3,966,157 A * 6/1976 Corral A47G 1/20 D8/367
	D367,438 S * 2/1996 Schriever D11/220
	D884,568 S * 5/2020 Curtin D12/180
	D925,979 S * 7/2021 Licata D7/354
	D950,139 S * 4/2022 Hsu D26/113

(**) Term: **15 Years**

FOREIGN PATENT DOCUMENTS

(21) Appl. No.: **29/735,606**

JP D1532205 * 8/2015

(22) Filed: **May 22, 2020**

* cited by examiner

(51) **LOC (13) Cl.** **26-04**

Primary Examiner — Rachel A. Voorhies

(52) **U.S. Cl.**

Assistant Examiner — Benjamin D. Wannemacher

USPC **D26/113**; D8/16; D8/389

(58) **Field of Classification Search**

(74) *Attorney, Agent, or Firm* — Alan D. Kamrath; Karin L. Williams; Mayer & Williams PC

USPC D8/1, 14–16, 17, 19, 21–29, 61, 73, 105,
D8/107, 366, 371, 372, 382, 384, 385,
D8/388, 389, 499; D23/233–250, 259;
D26/113; 294/25, 26

(57) **CLAIM**

CPC A47G 1/20; A47G 1/22; B25J 1/04; E05B
1/0053; E05B 1/0069; E02D 5/80; E04H
12/22

The ornamental design for a ground insert, as shown and described.

See application file for complete search history.

DESCRIPTION

(56) **References Cited**

FIG. 1 is a perspective view of a ground insert showing my design.

U.S. PATENT DOCUMENTS

D22,288 S * 3/1893 Shellhorn D8/389
D24,110 S * 3/1895 Cary D8/389
D34,001 S * 1/1901 Brewer, Jr. D8/16
D48,263 S * 12/1915 Pleister D8/385
D57,370 S * 3/1921 Mumford D8/389

FIG. 2 is a front elevational view thereof.

FIG. 3 is a rear elevational view thereof.

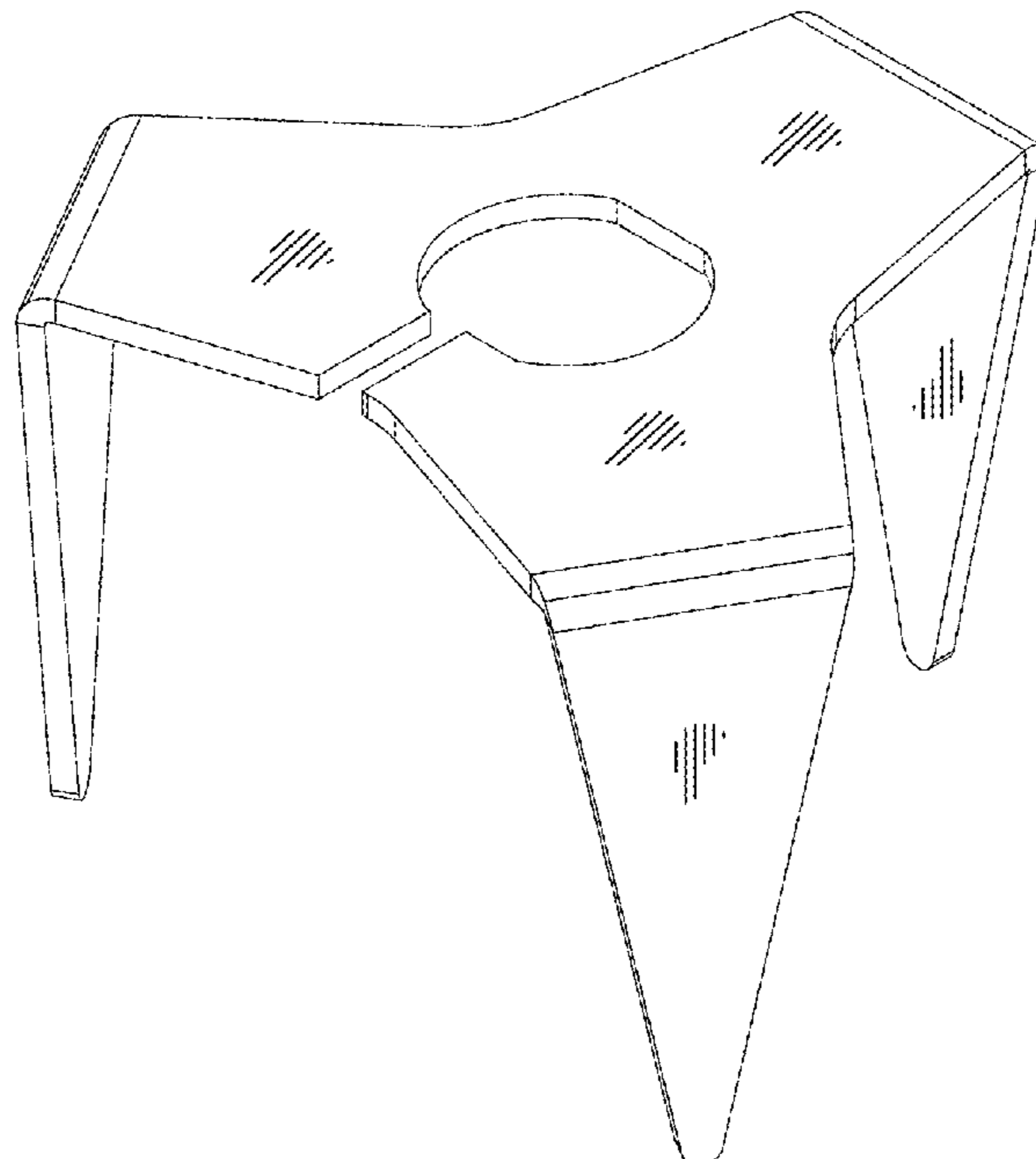
FIG. 4 is a left side elevational view thereof.

FIG. 5 is a right side elevational view thereof.

FIG. 6 is a top plan view thereof; and,

FIG. 7 is a bottom plan view thereof.

1 Claim, 5 Drawing Sheets



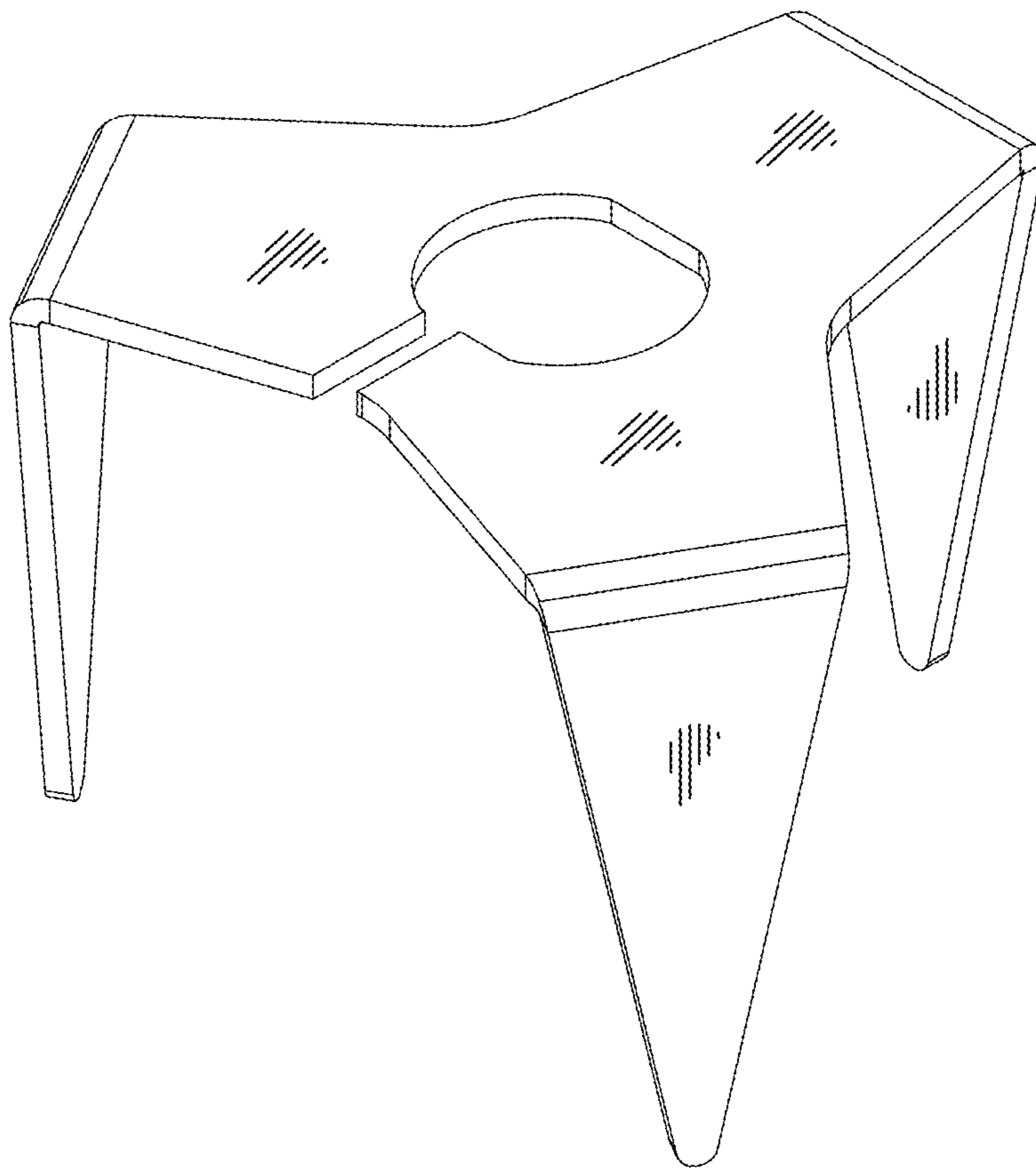


FIG. 1

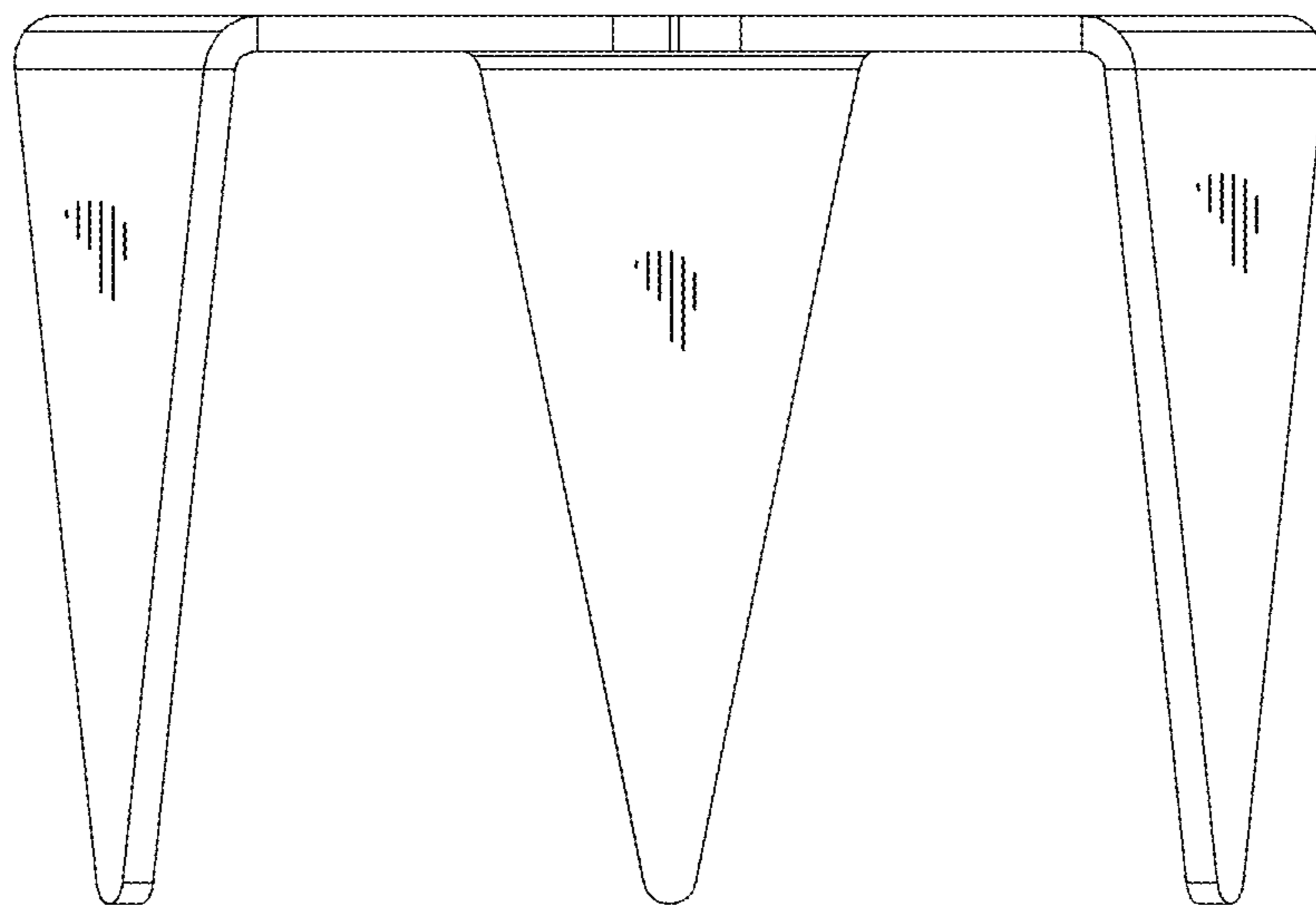


FIG. 2

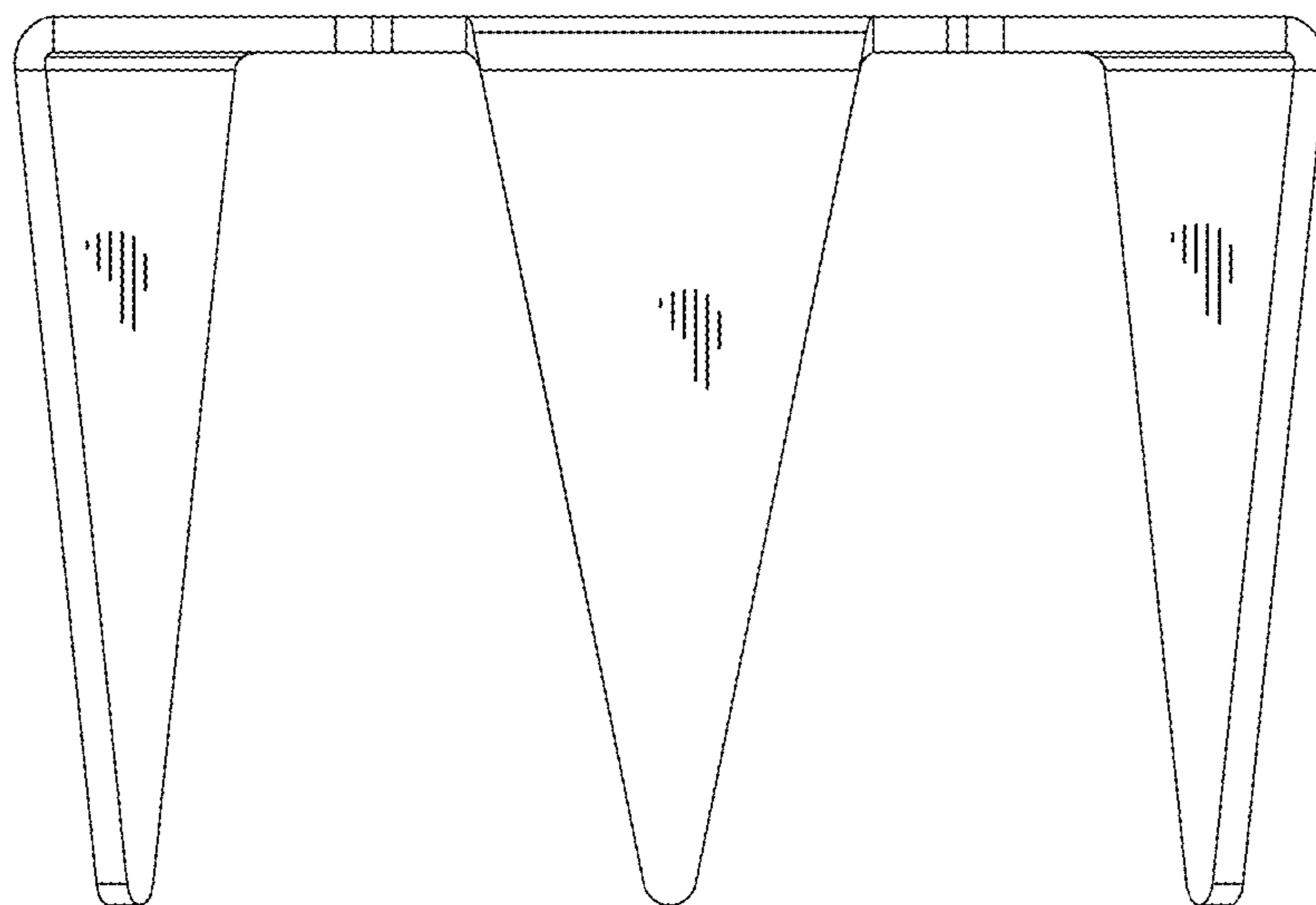


FIG. 3

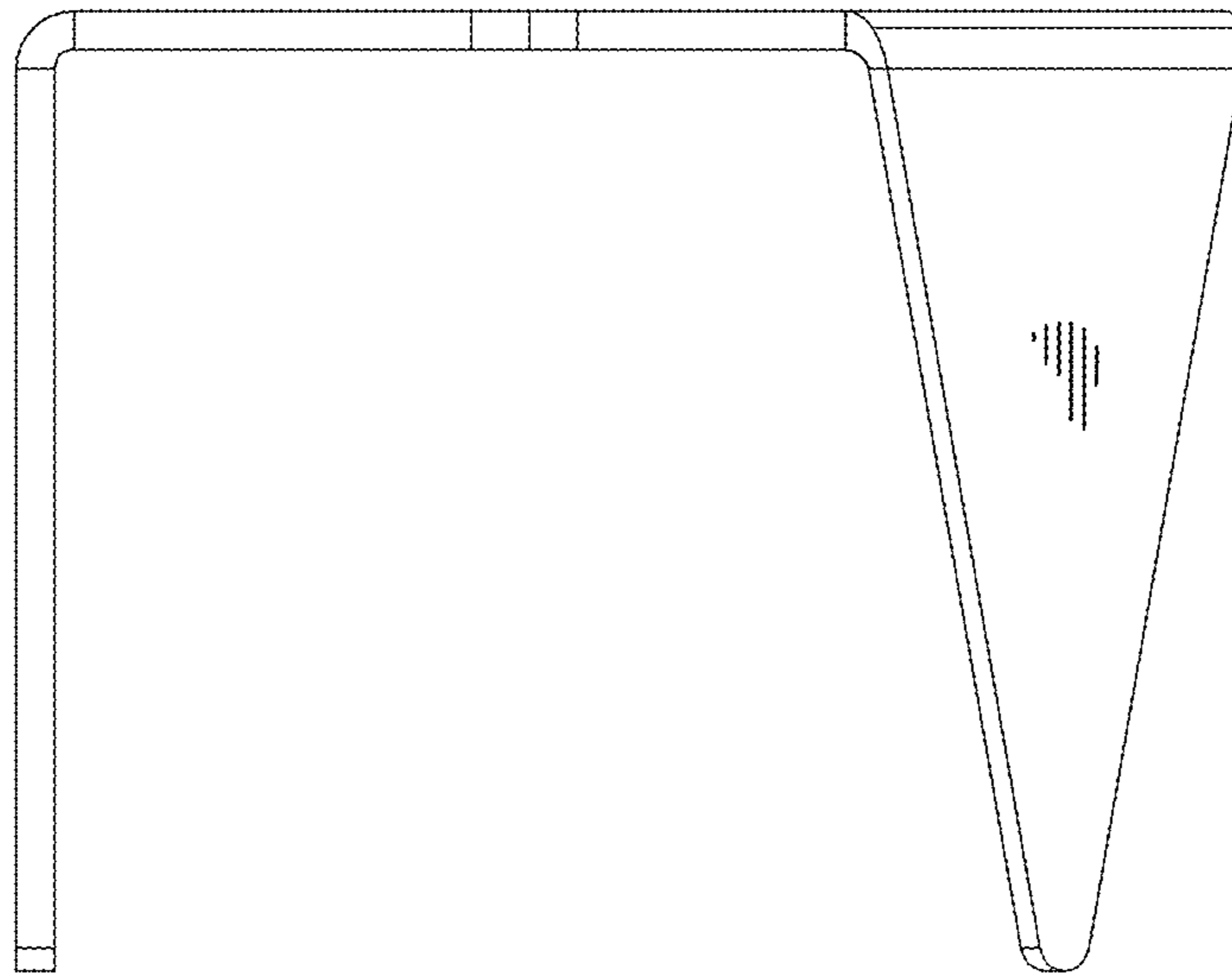


FIG. 4

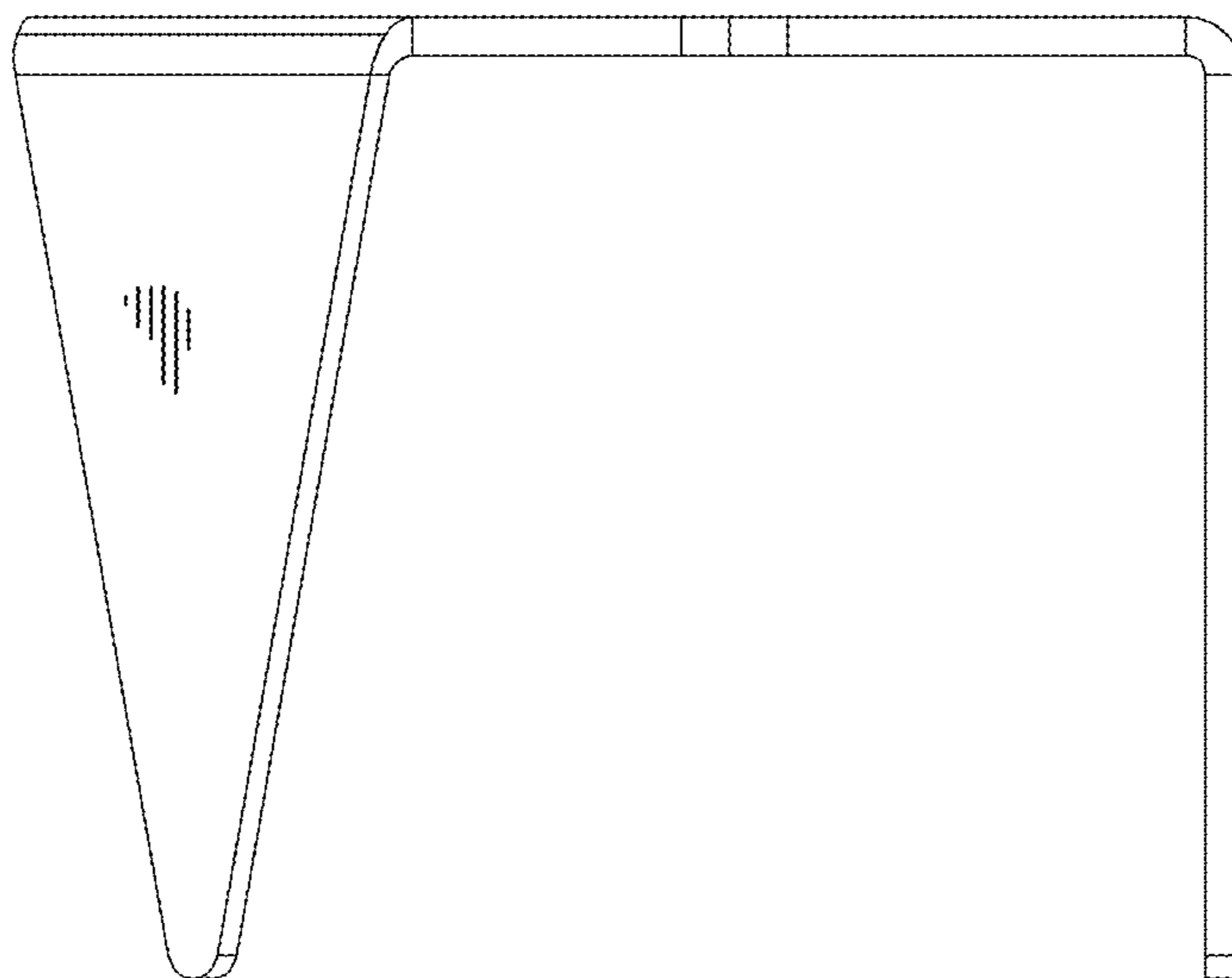


FIG. 5

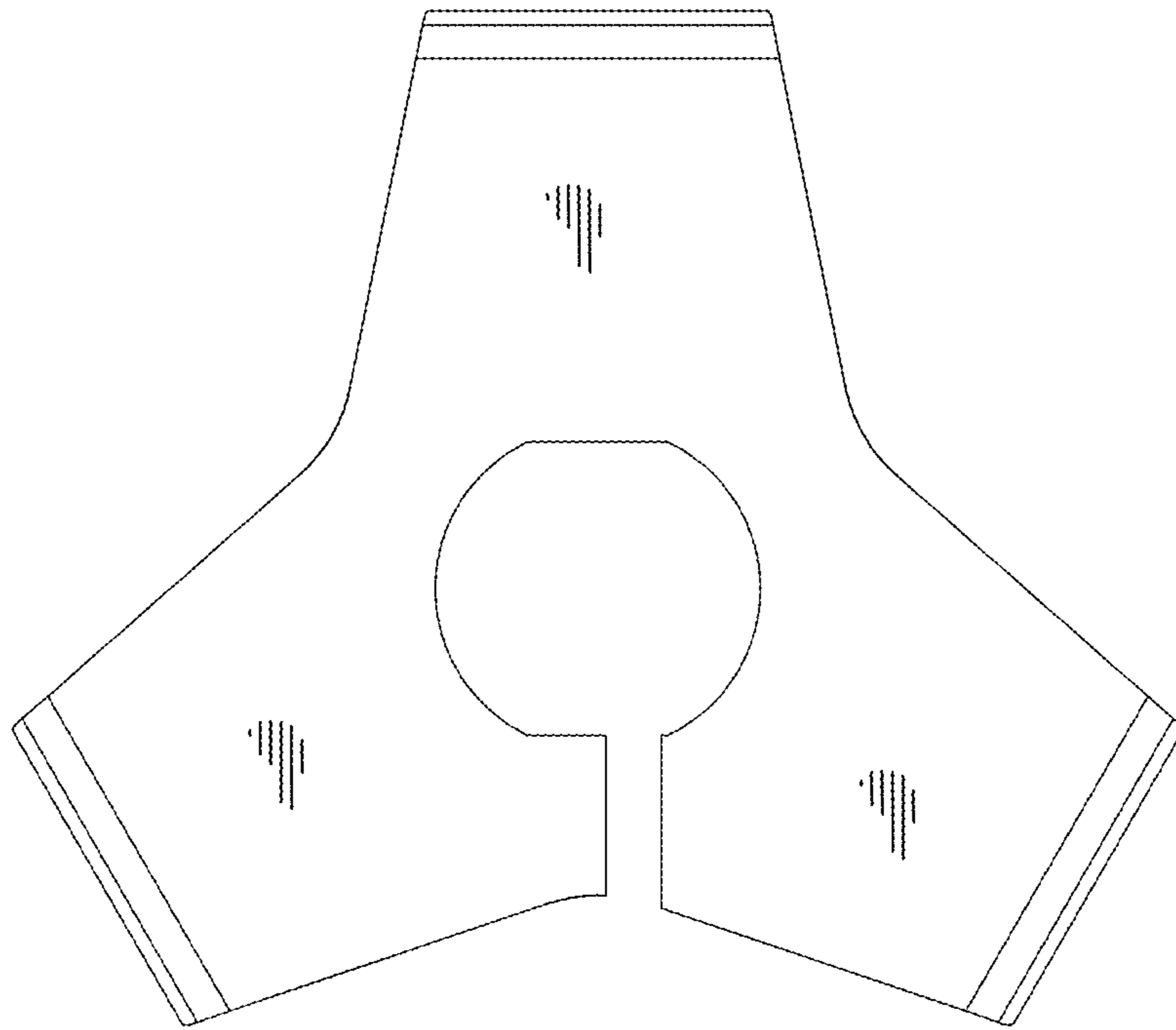


FIG. 6

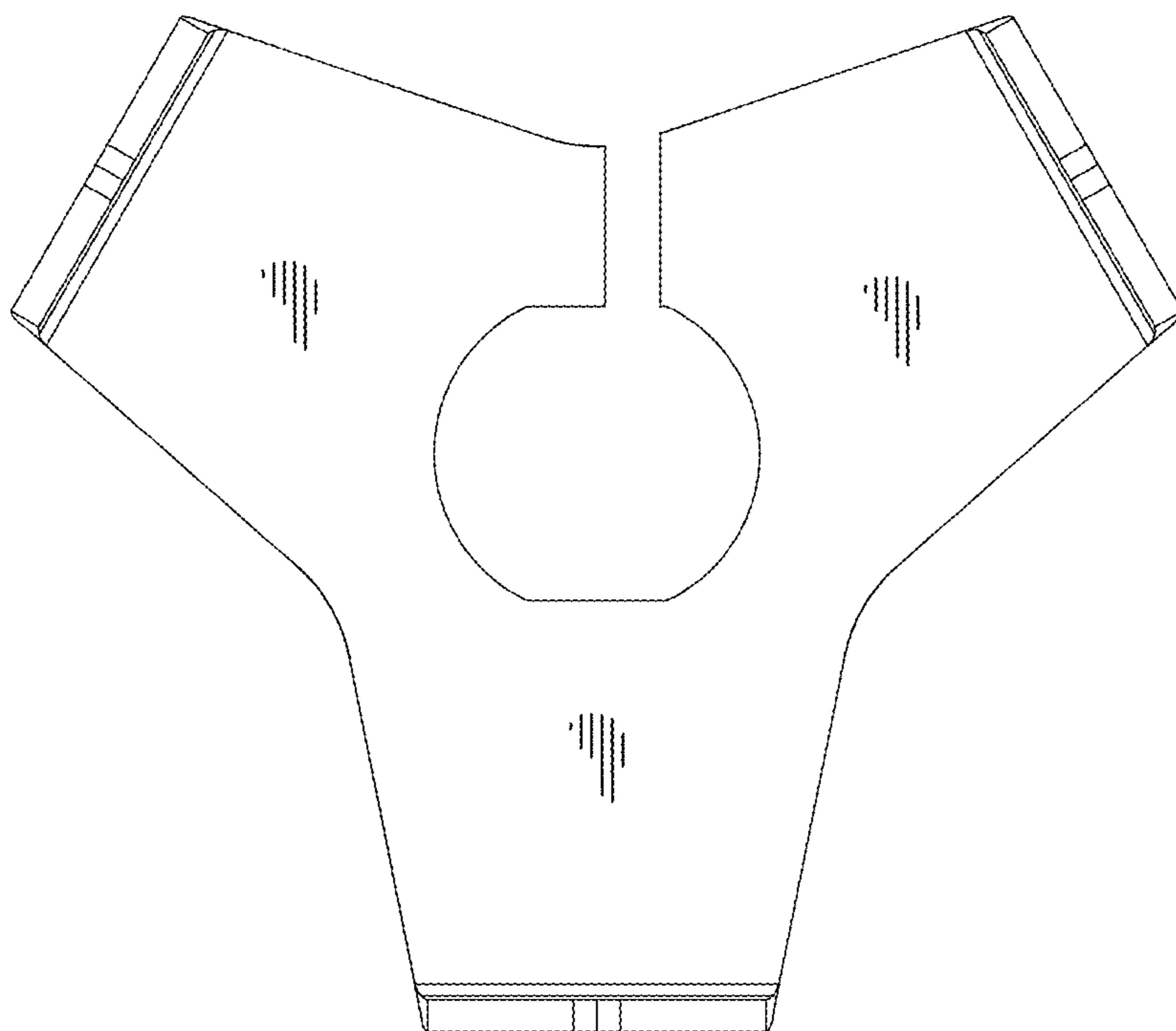


FIG. 7