



US00D968015S

(12) **United States Design Patent**
Xin

(10) **Patent No.:** **US D968,015 S**

(45) **Date of Patent:** **** Oct. 25, 2022**

(54) **PROJECTION LAMP**

(71) Applicant: **Yuanting Xin**, Shenzhen (CN)

(72) Inventor: **Yuanting Xin**, Shenzhen (CN)

(**) Term: **15 Years**

(21) Appl. No.: **29/767,998**

(22) Filed: **Jan. 27, 2021**

(30) **Foreign Application Priority Data**

Oct. 27, 2020 (CN) 202030640780.2

(51) **LOC (13) Cl.** **26-05**

(52) **U.S. Cl.**

USPC **D26/110; D16/225**

(58) **Field of Classification Search**

USPC D10/111–115; D26/24, 26, 37, 38, 40,
D26/41, 56, 93, 94, 104, 105, 106, 108,
D26/110–115, 117, 118, 121–124,
D26/128–131, 134, 136, 137; D16/221,
D16/225

See application file for complete search history.

(56) **References Cited**

U.S. PATENT DOCUMENTS

D111,886 S *	10/1938	Zagel	D26/29
D127,833 S *	6/1941	Price	D26/63
D134,595 S *	12/1942	Van Es	D26/63
D147,733 S *	10/1947	Mendelsohn	D26/104
D345,616 S *	3/1994	Lin	D26/63
D393,016 S *	3/1998	Young	D11/131
D395,715 S *	6/1998	Queen	D26/104
D521,681 S *	5/2006	Xu	D27/148
D535,422 S *	1/2007	Mier-Langner	D26/63
D605,337 S *	12/2009	Zhang	D26/104
D616,128 S *	5/2010	Sanoner	D26/67
D616,578 S *	5/2010	Leung	D26/41
D621,541 S *	8/2010	Hamel	D26/106

D645,186 S *	9/2011	Sabernig	D26/63
D645,596 S *	9/2011	Yamada	D26/63
D703,364 S *	4/2014	Meise	D26/87
D705,844 S *	5/2014	Bart	D16/203
D742,955 S *	11/2015	Kozko	D16/218
D752,802 S *	3/2016	Johnson	D26/94
D803,467 S *	11/2017	Zahn	D26/106
D807,566 S *	1/2018	Duarte	D26/110
D849,314 S *	5/2019	Pan	D26/106

(Continued)

OTHER PUBLICATIONS

Pokemon TCG: Poke Ball Tin (reviewed with images on Aug. 30, 2019), retrieved on May 31, 2022 from URL: <https://www.amazon.com/Pokemon-TCG-Poke-Ball-Booster/dp/B07KZCGQF5> (Year: 2019).*

(Continued)

Primary Examiner — Richard Kearney

Assistant Examiner — Christina M. Dodson

(57)

CLAIM

The ornamental design for a projection lamp, as shown and described.

DESCRIPTION

FIG. 1 is a first perspective view of a projection lamp showing my new design;

FIG. 2 is a second perspective view thereof;

FIG. 3 is a front view thereof;

FIG. 4 is a back view thereof;

FIG. 5 is a left side view thereof;

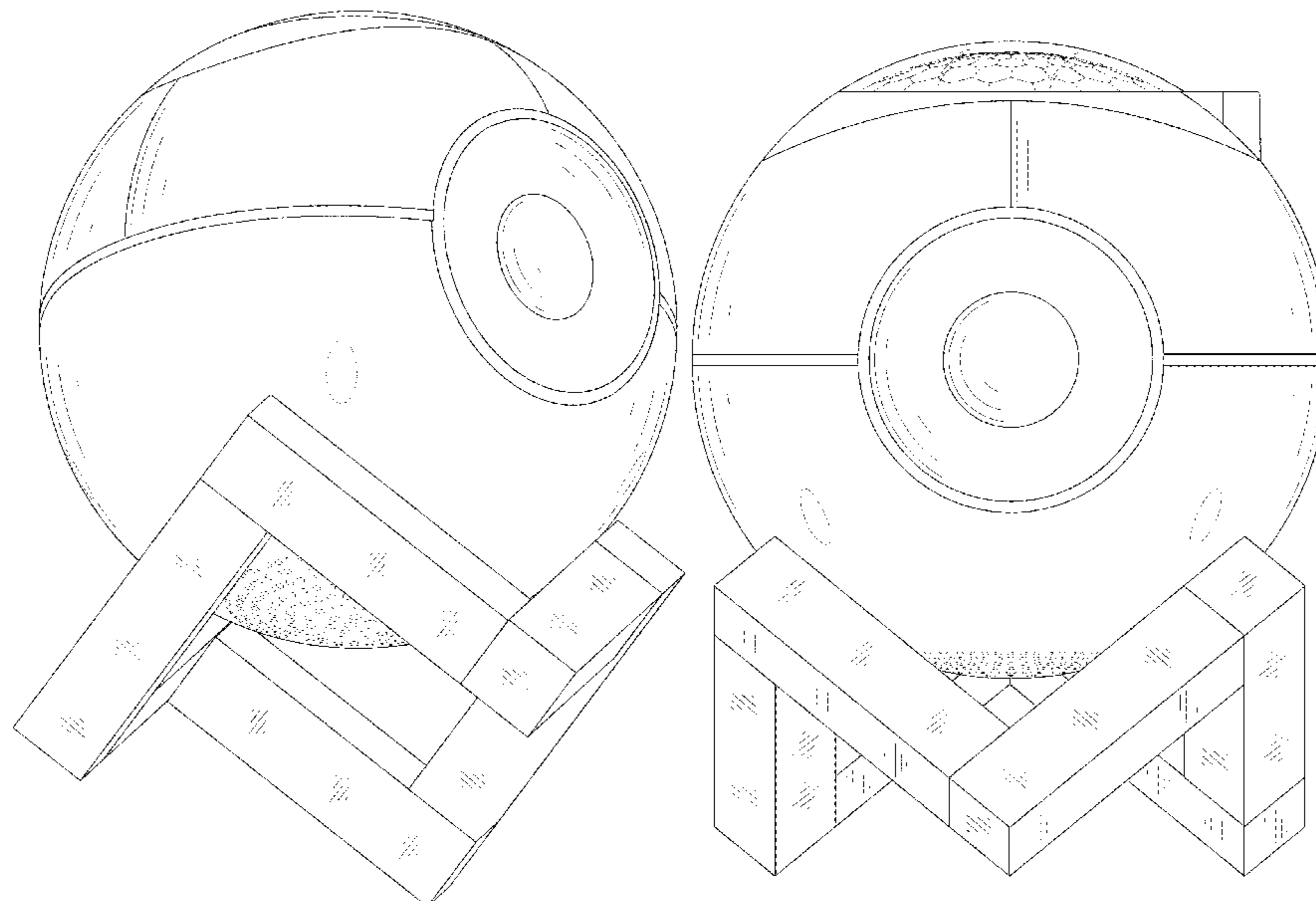
FIG. 6 is a right side view thereof;

FIG. 7 is a top view thereof; and,

FIG. 8 is a bottom view thereof.

The broken lines shown in the drawings depict portions of the projection lamp in which the design is embodied that form no part of the claimed design.

1 Claim, 8 Drawing Sheets



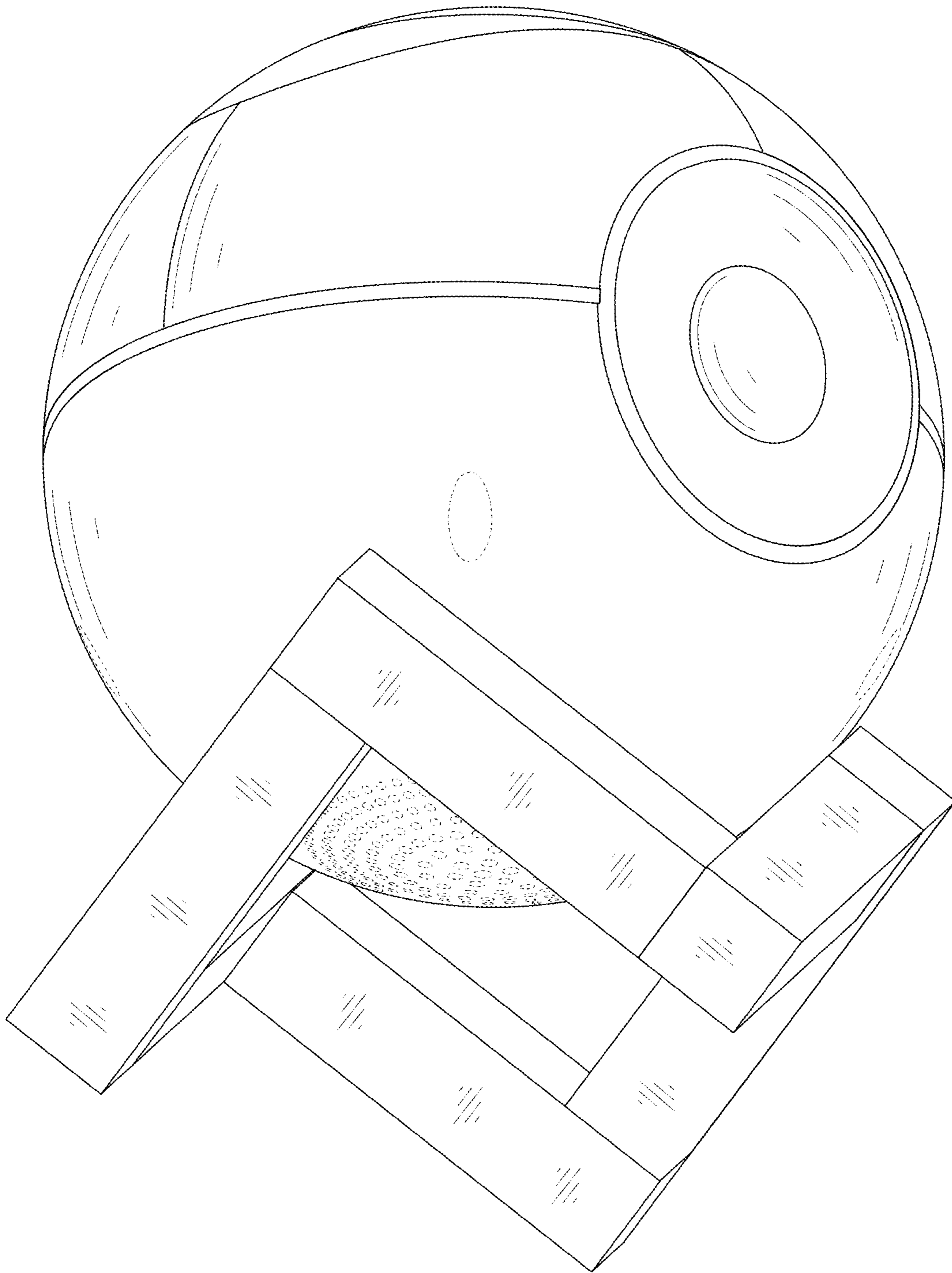


FIG. 1

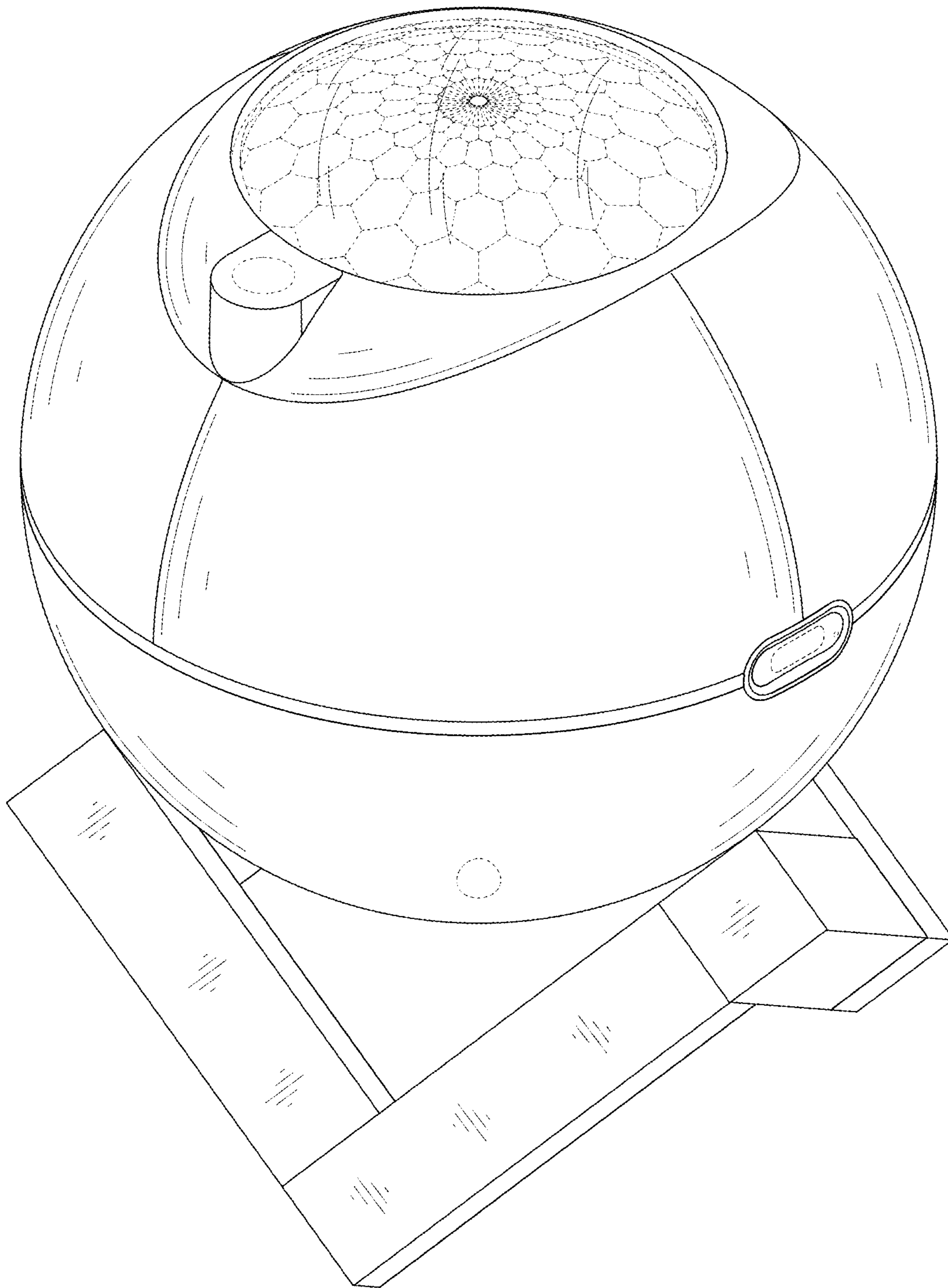


FIG. 2

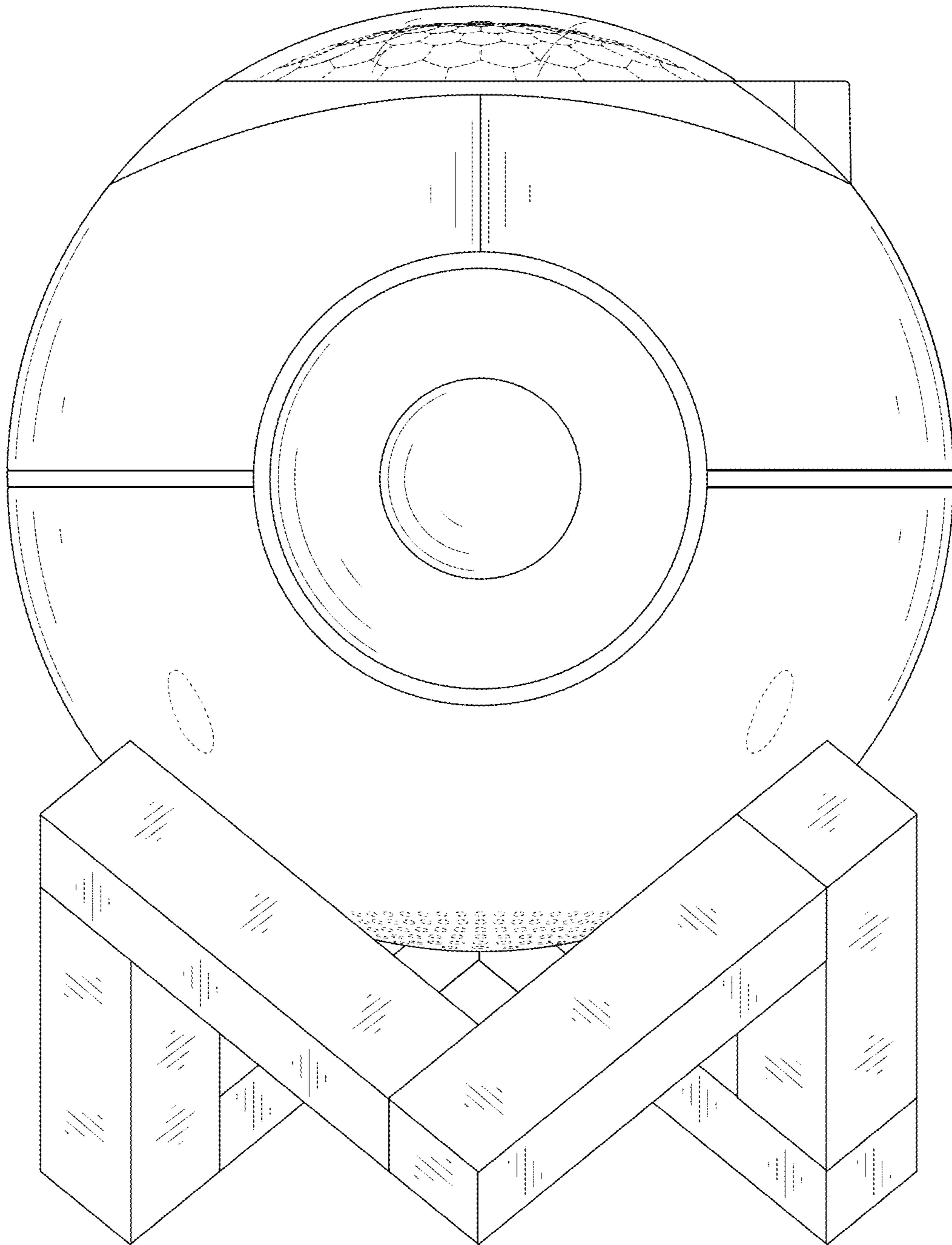


FIG. 3

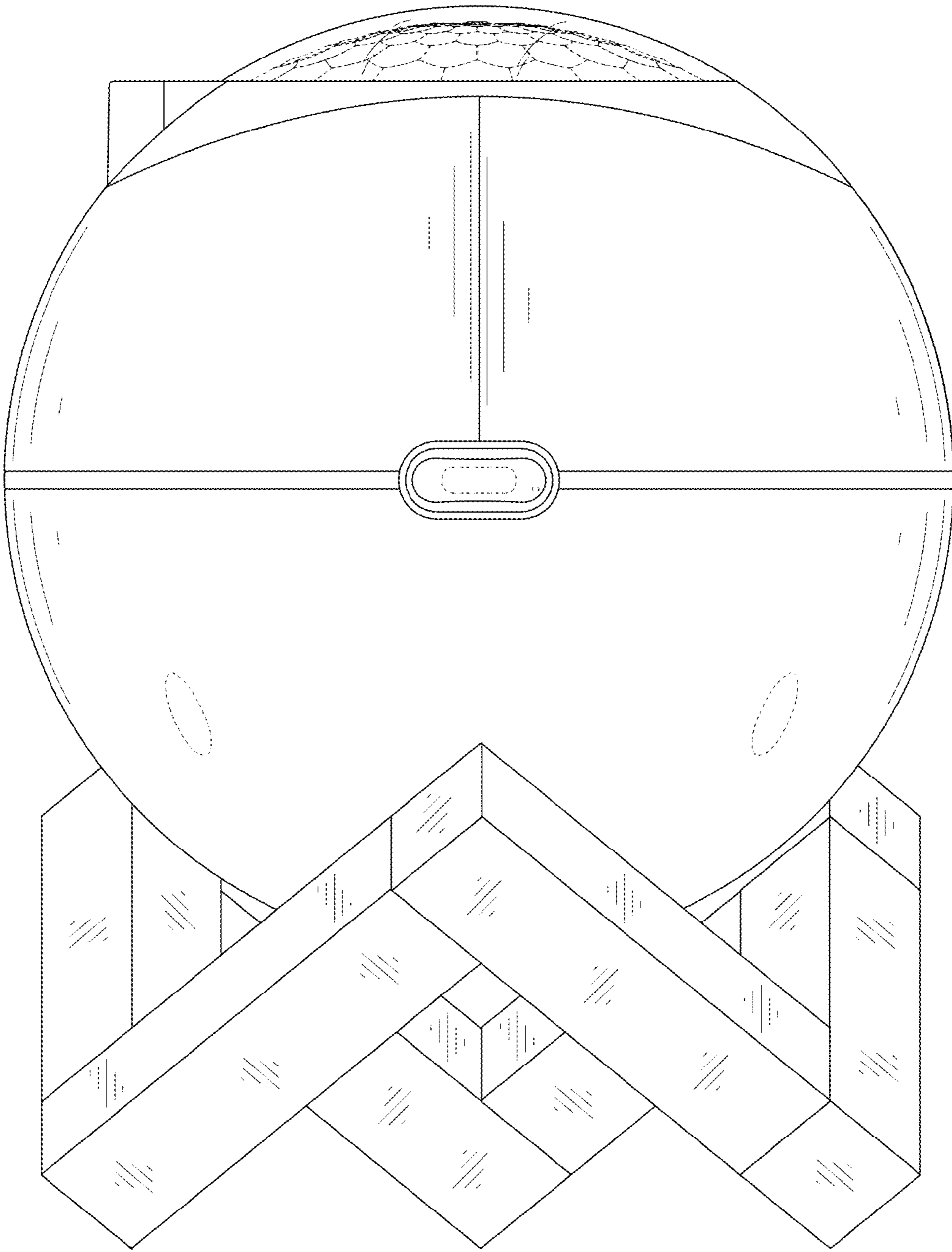


FIG. 4

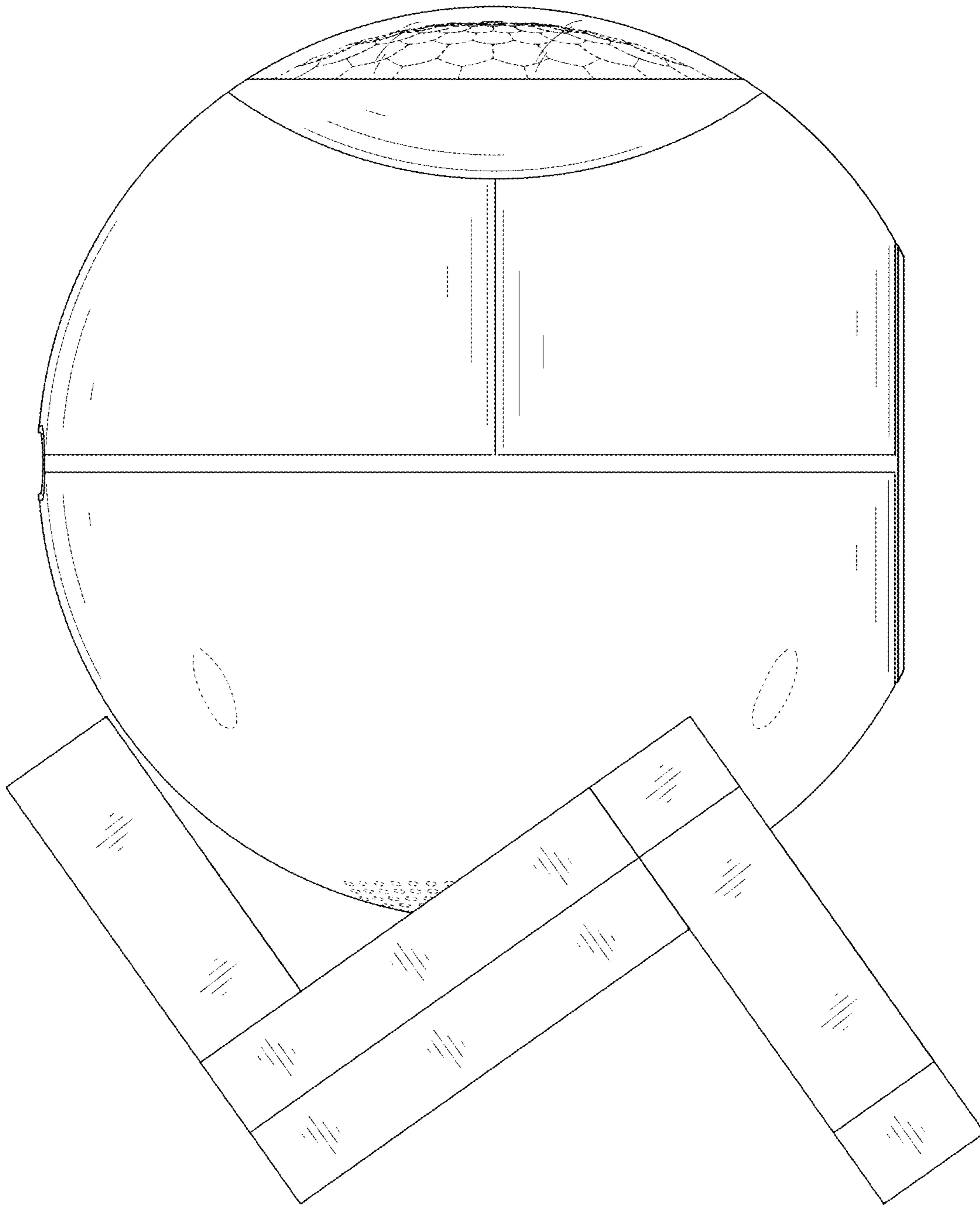


FIG. 5

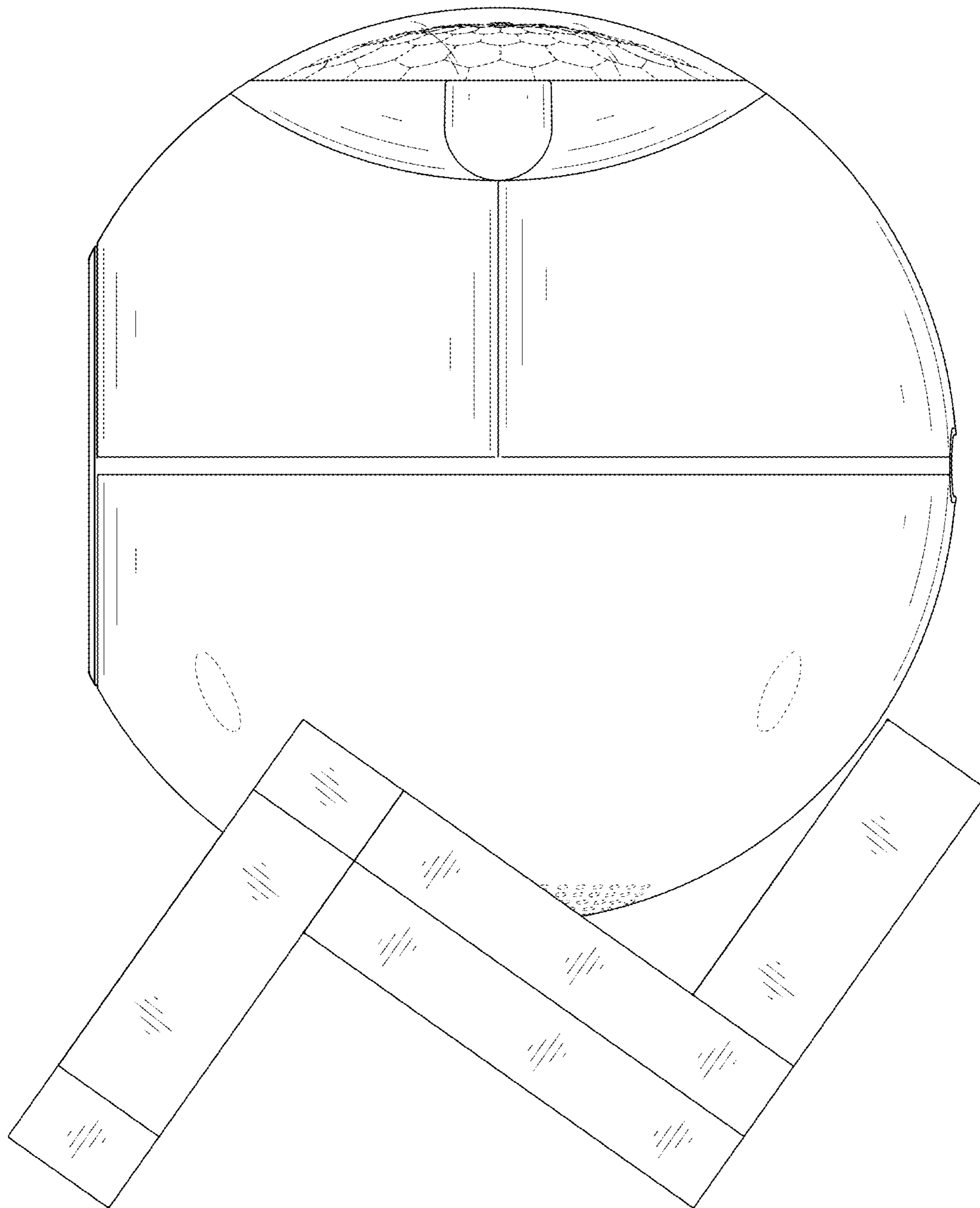


FIG. 6

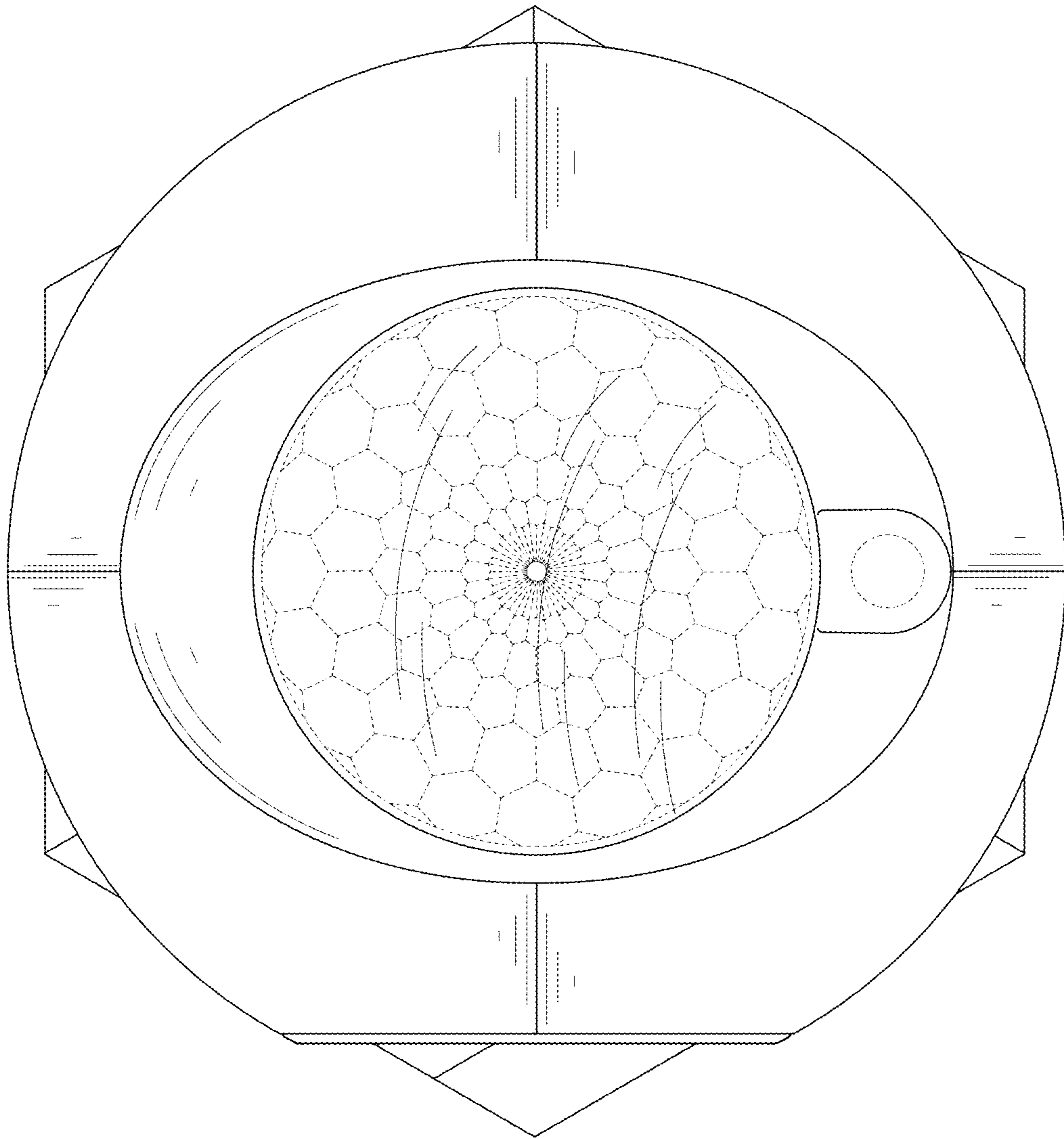


FIG. 7

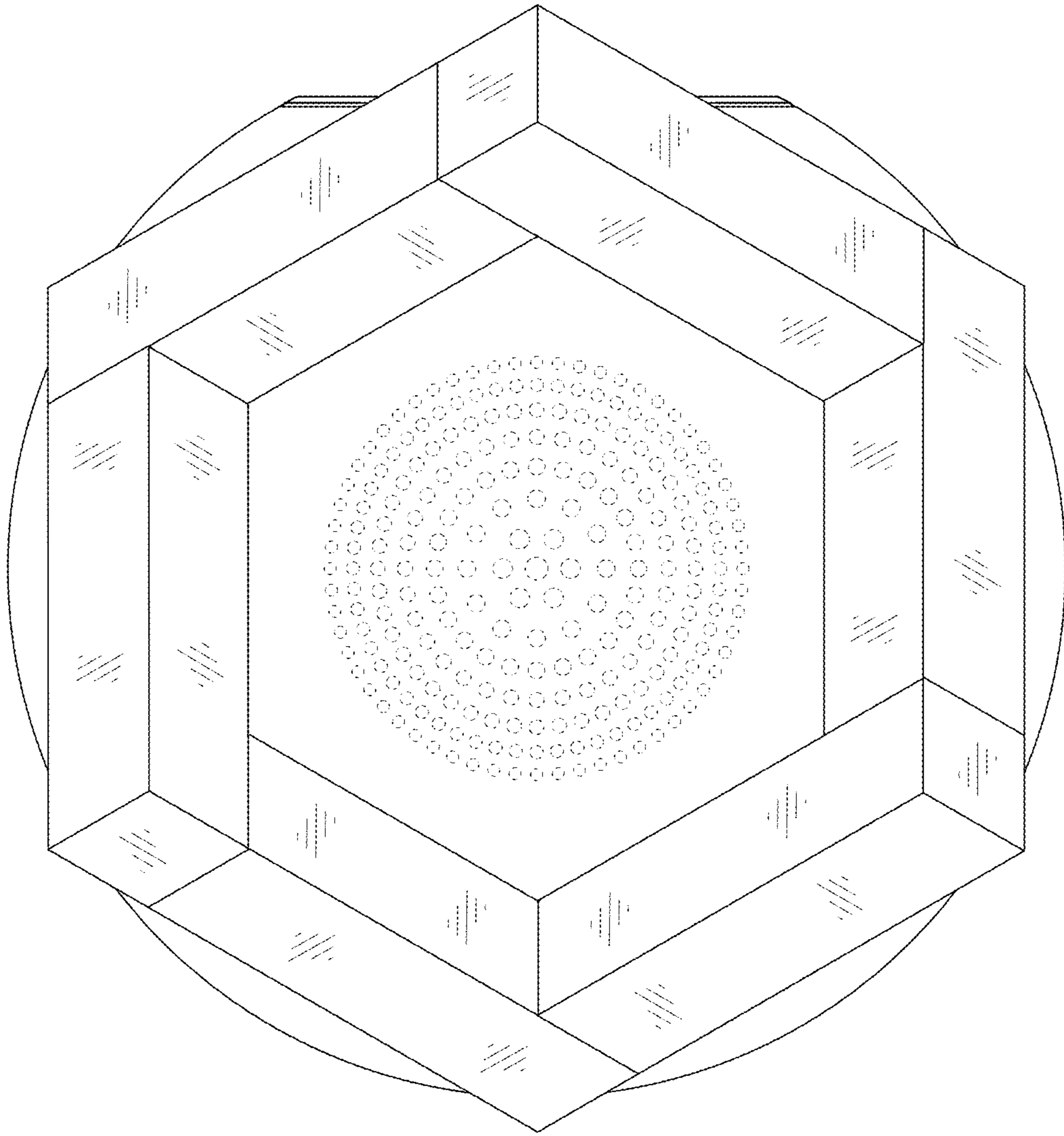


FIG. 8