



US00D968014S

(12) **United States Design Patent** (10) **Patent No.:** **US D968,014 S**
Shi (45) **Date of Patent:** **** Oct. 25, 2022**

(54) **MAKEUP MIRROR LIGHT**

(71) Applicant: **Jianjie Shi**, Puyang (CN)

(72) Inventor: **Jianjie Shi**, Puyang (CN)

(**) Term: **15 Years**

(21) Appl. No.: **29/765,754**

(22) Filed: **Jan. 11, 2021**

(51) **LOC (13) Cl.** **26-05**

(52) **U.S. Cl.**
USPC **D26/110; D26/104**

(58) **Field of Classification Search**
USPC D26/1, 24, 26, 60, 93, 104, 106, 110,
D26/118, 123, 124, 137; D14/172, 188,
D14/506, 507, 509
CPC F21S 6/00; F21S 6/002; F21S 6/003; F21S
6/006; F21S 8/00; F21S 8/02; F21S 8/03;
F21S 8/04; F21S 9/02; F21S 9/03; F21S
9/022; F21V 21/08; F21V 21/092; F21V
21/095; F21V 37/00; F21V 37/0095;
F21W 2131/30; F21W 2131/302
See application file for complete search history.

(56) **References Cited**

U.S. PATENT DOCUMENTS

D485,003 S *	1/2004	Olson	D26/104
D577,458 S *	9/2008	Chan	D26/104
D633,239 S	2/2011	Chen		
D661,009 S *	5/2012	Bennett	D26/105
D814,686 S *	4/2018	Chen	D26/110
D820,488 S *	6/2018	Kinsen Ka Fai	D26/37
D849,294 S *	5/2019	Ormsbee	D26/37
D850,682 S *	6/2019	DeBrunner	D26/40

D858,830 S *	9/2019	Grandadam	D26/37
D875,994 S *	2/2020	Yu	D26/104
D884,955 S *	5/2020	Yi	D26/104
D903,908 S *	12/2020	Cutt	D26/24
D907,280 S *	1/2021	Zeng	D26/104
D907,281 S *	1/2021	Wu	D26/104
D908,932 S *	1/2021	Richardson	D26/118
D914,953 S *	3/2021	Yang	D26/106
D920,565 S *	5/2021	Liu	D26/106
D927,043 S *	8/2021	Tian	D26/93
D960,426 S *	8/2022	Geng	D26/104

* cited by examiner

Primary Examiner — Wan Laymon

Assistant Examiner — Clint A Samuel

(74) *Attorney, Agent, or Firm* — Justin Lampel

(57) **CLAIM**

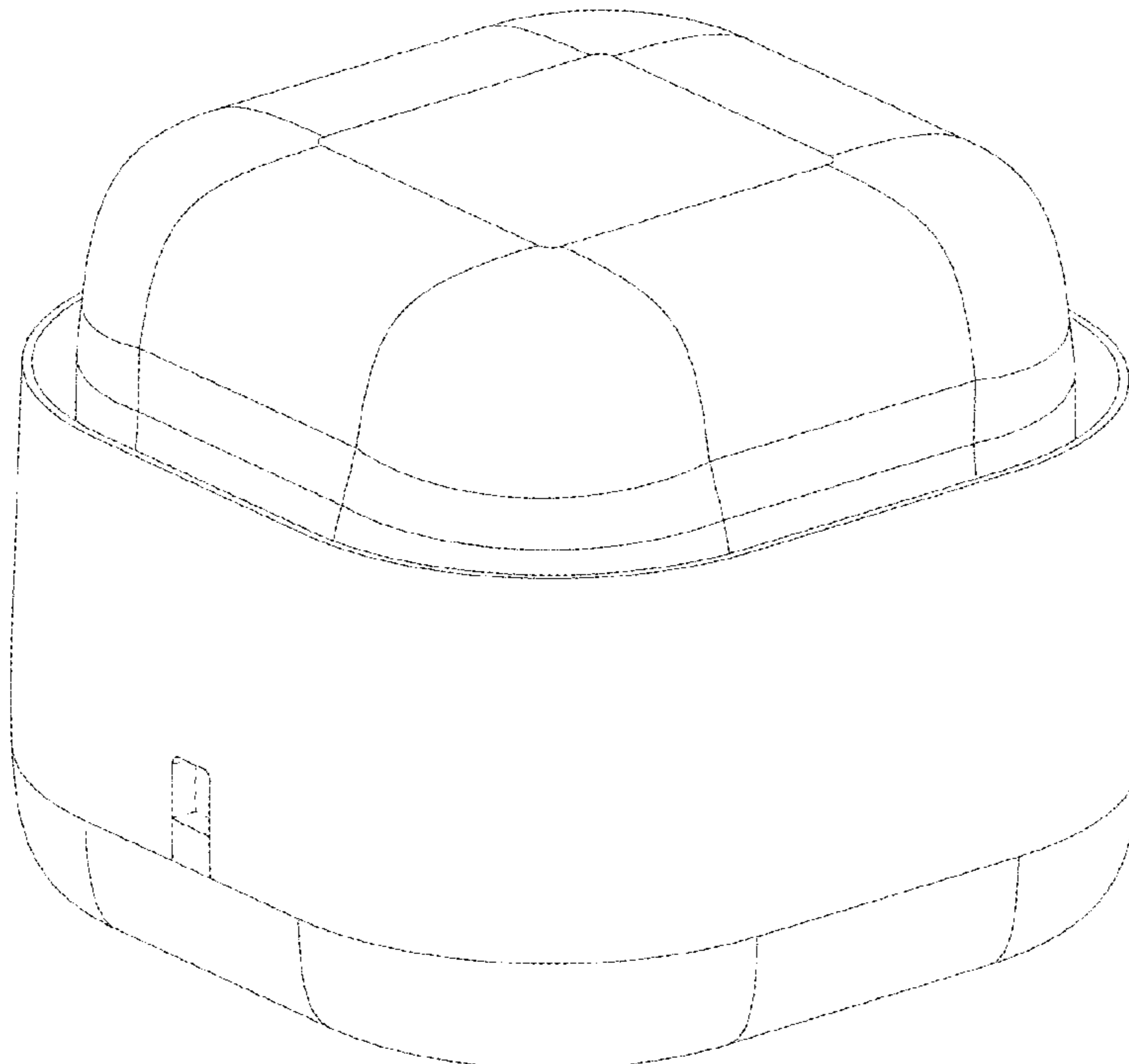
The ornamental design for a makeup mirror light, as shown and described.

DESCRIPTION

FIG. 1 is a perspective view of a makeup mirror light showing the claimed design;
FIG. 2 is a top plan view thereof;
FIG. 3 is a left side elevational view thereof;
FIG. 4 is a rear elevational view thereof;
FIG. 5 is a right side elevational view;
FIG. 6 is a front elevational view thereof;
FIG. 7 is a bottom plan view thereof; and,
FIG. 8 is a sectional view thereof, taken along line 8-8 of FIG. 2.

The broken lines illustrate portions of the makeup mirror light that form no part of the claimed design.

1 Claim, 8 Drawing Sheets



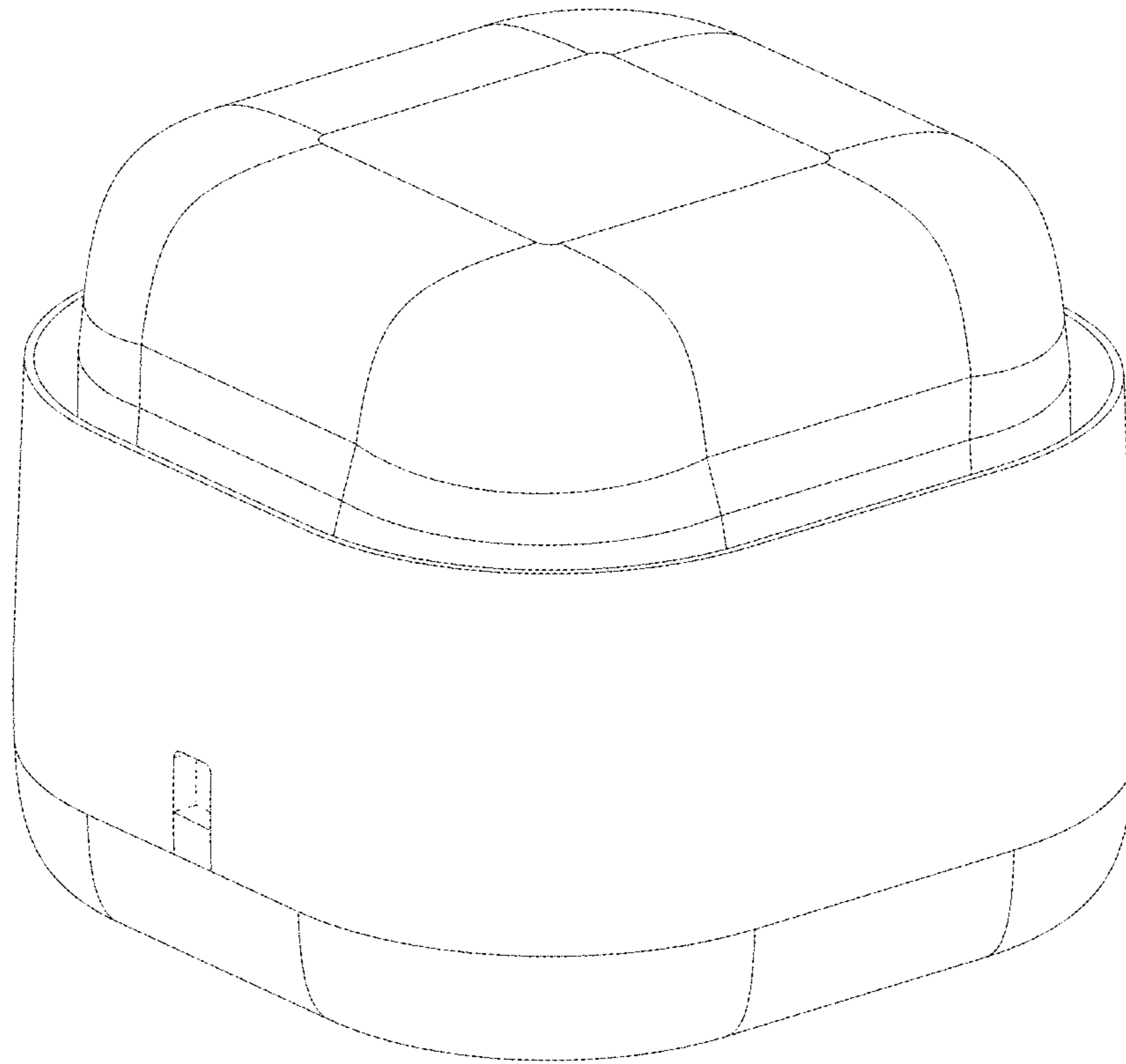


FIG. 1

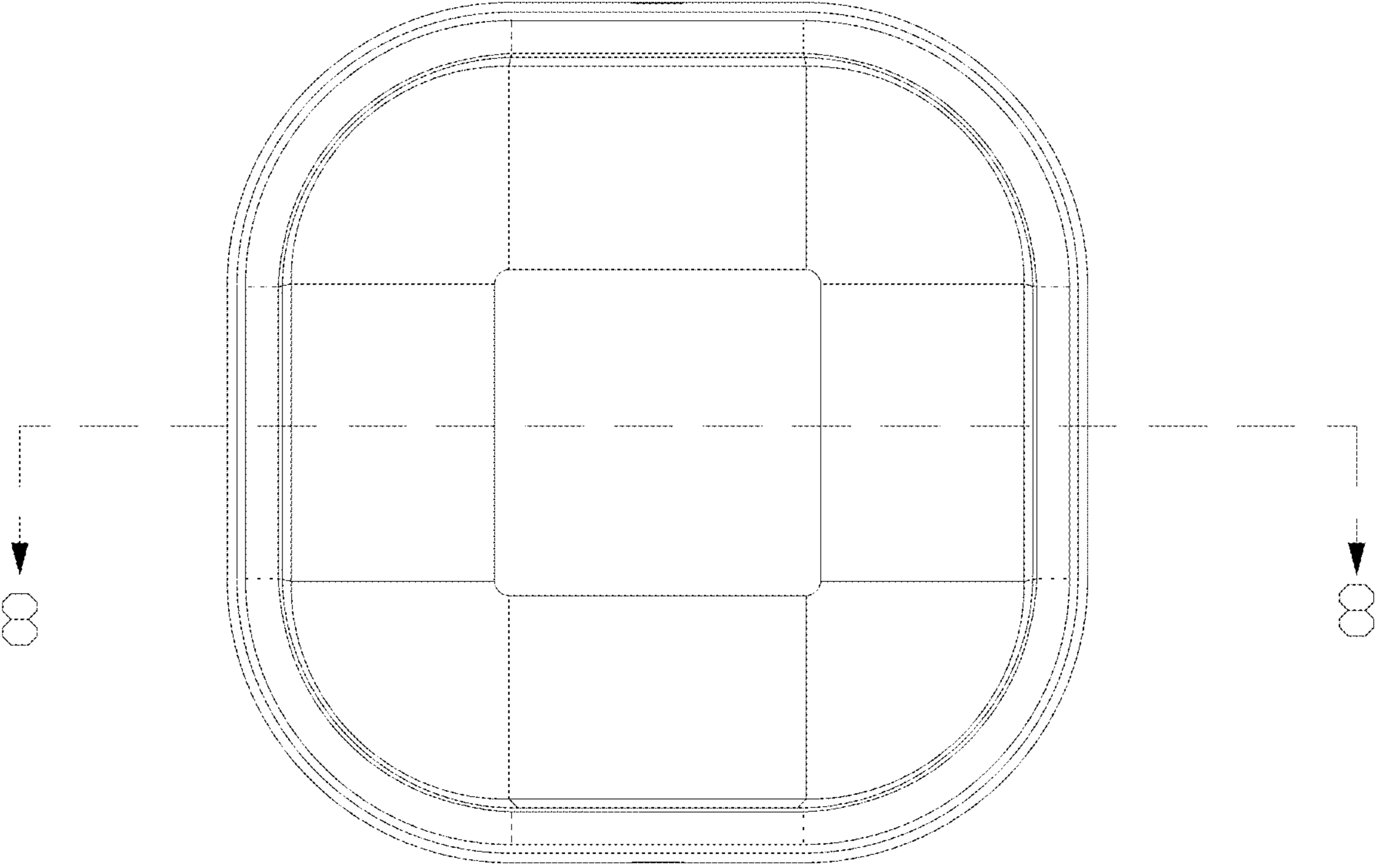


FIG. 2

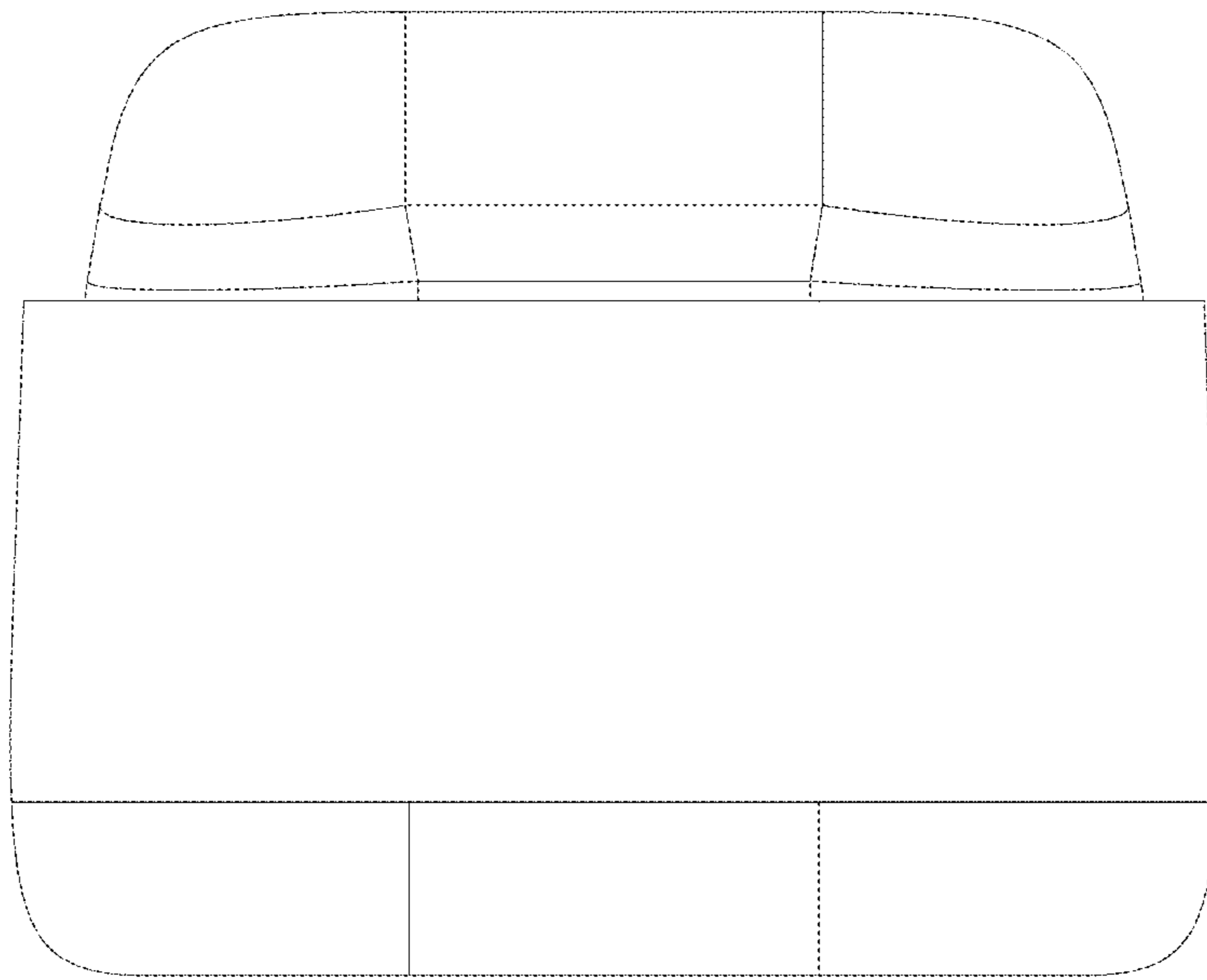


FIG.3

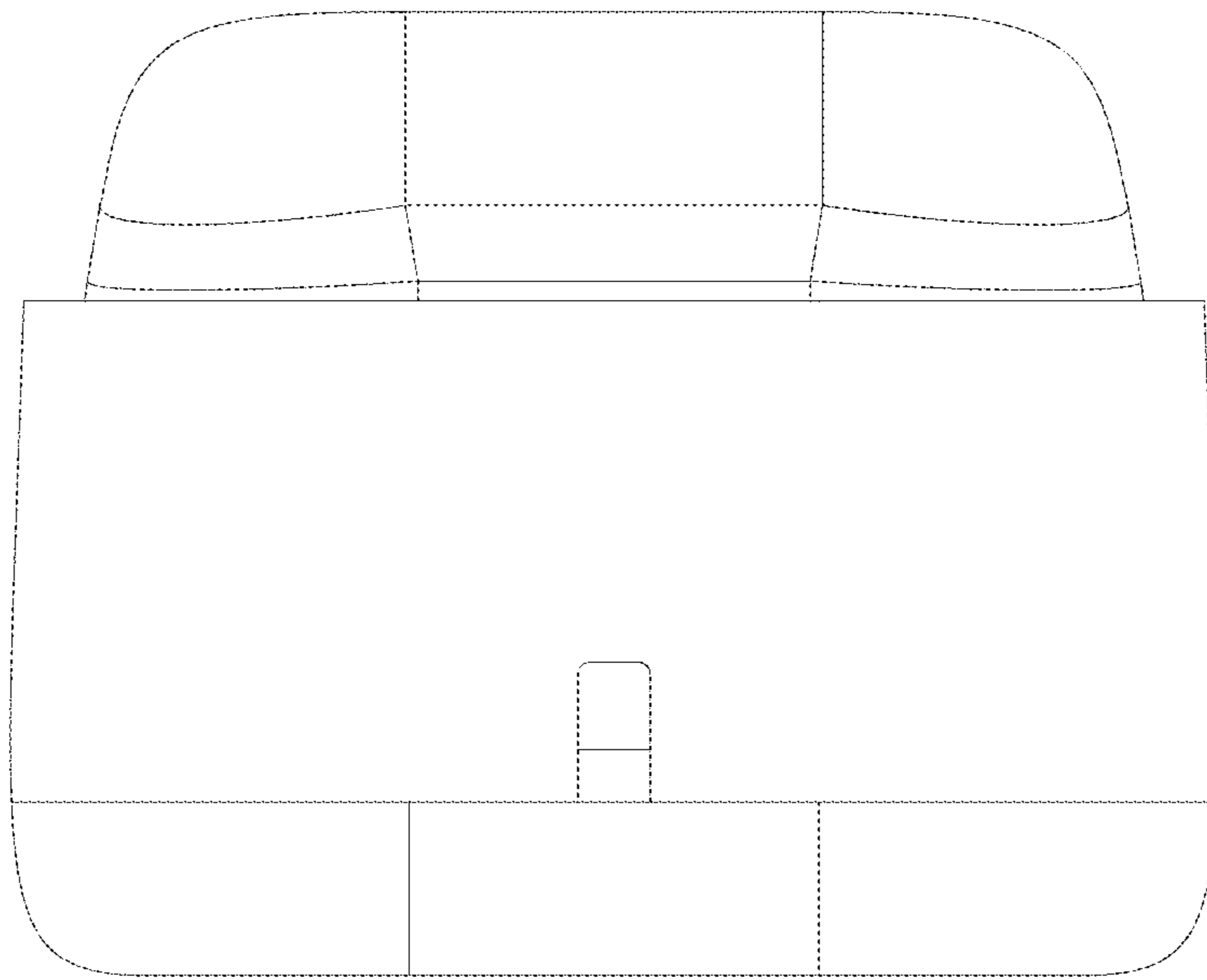


FIG.4

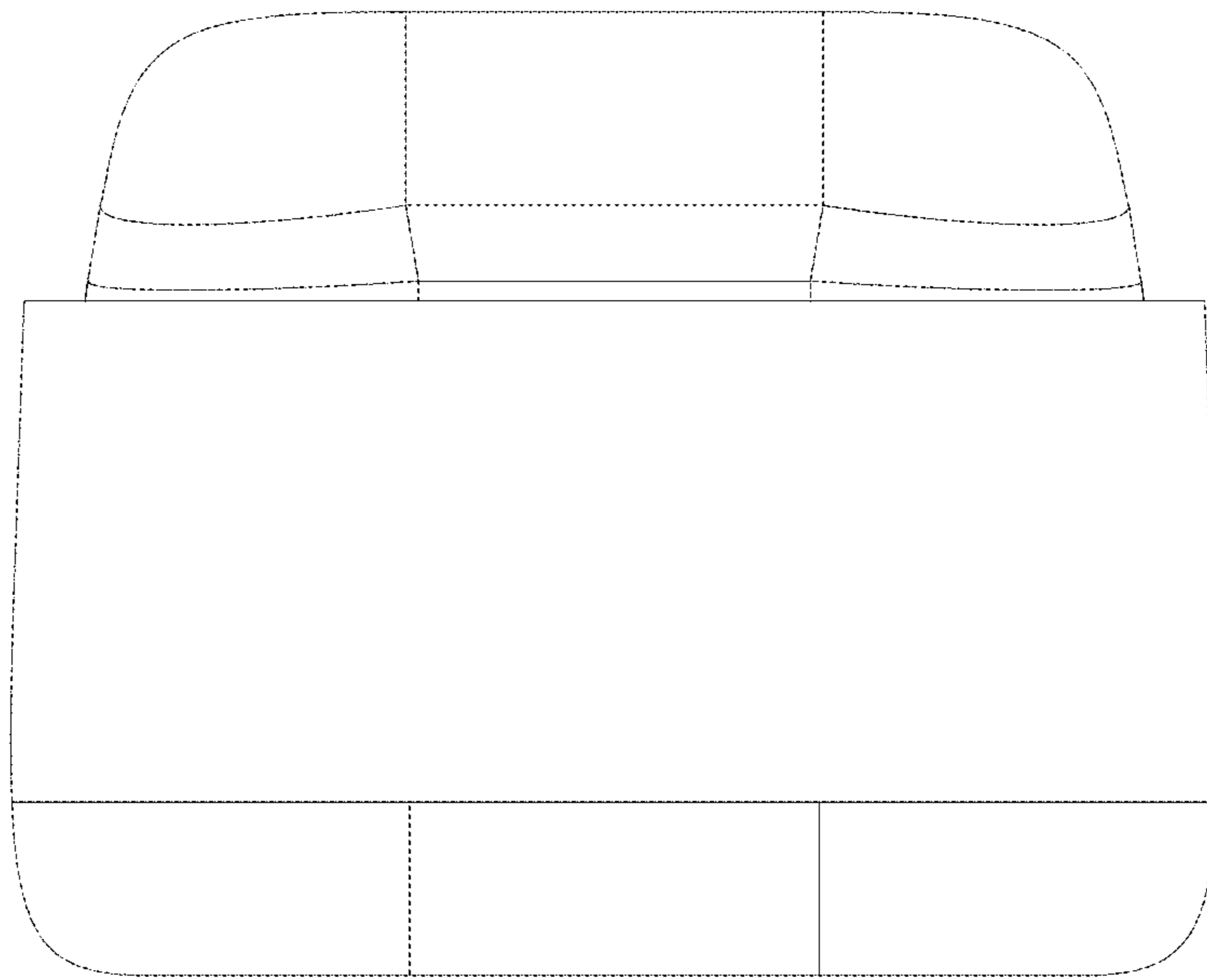


FIG.5

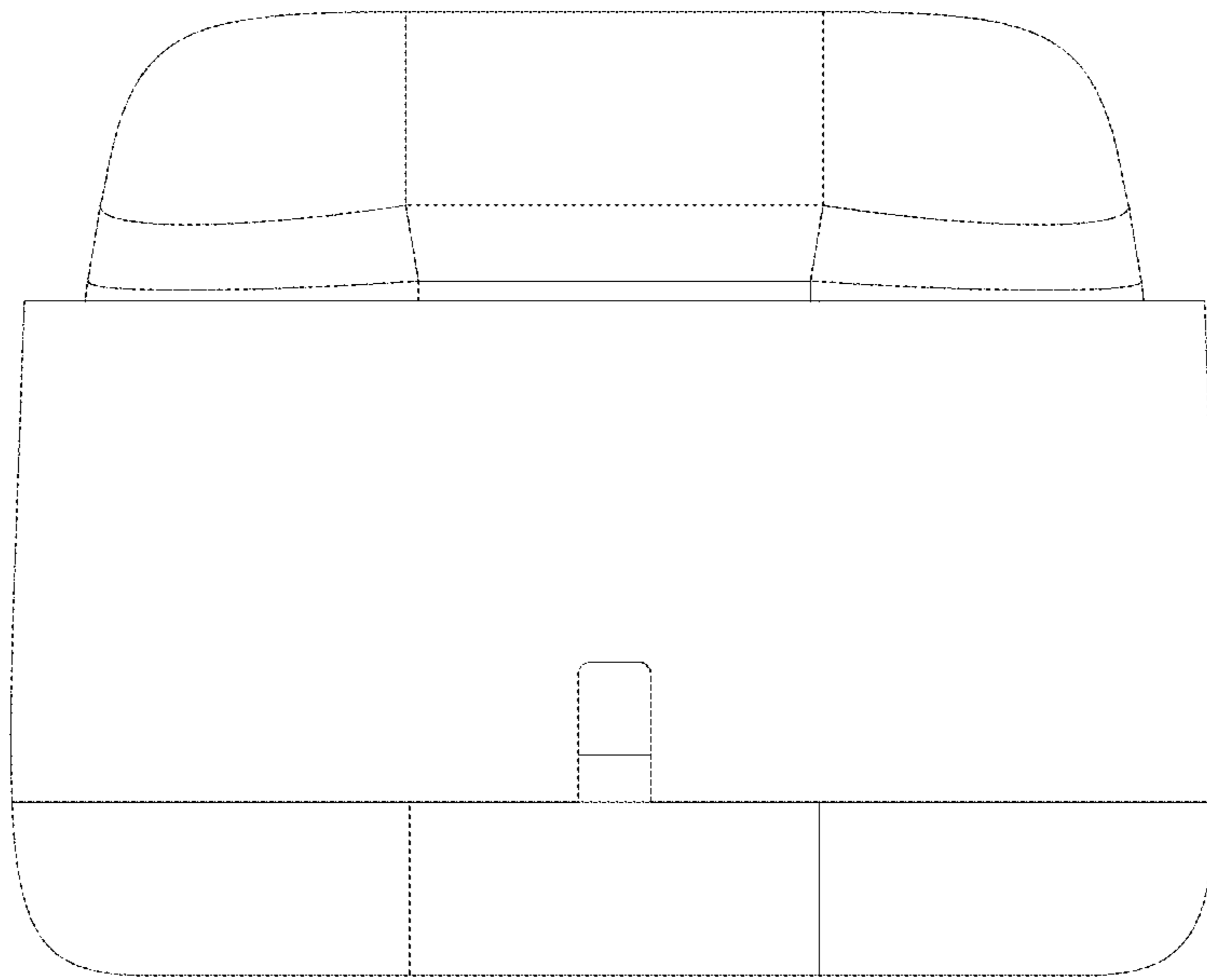


FIG.6

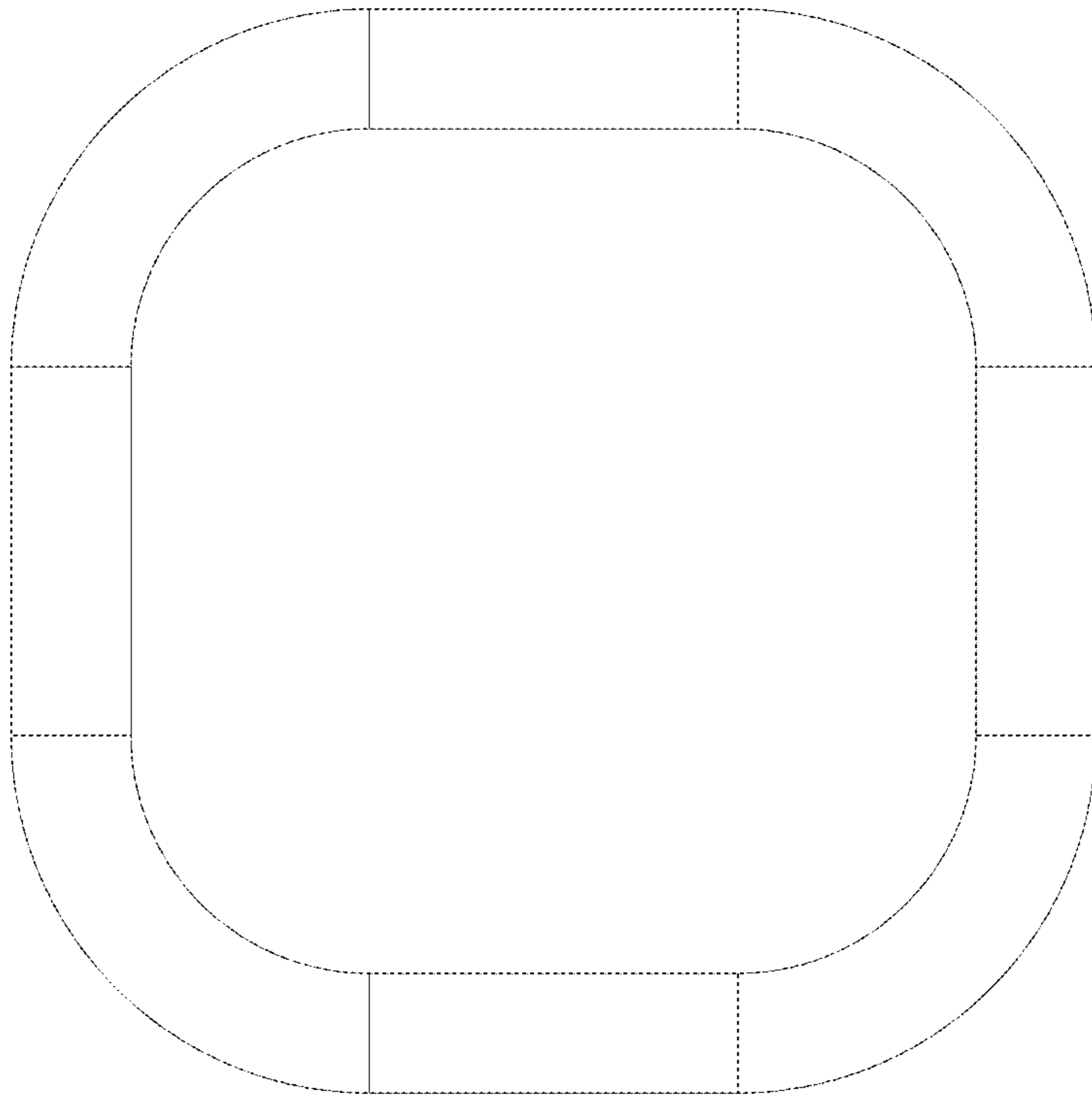


FIG. 7

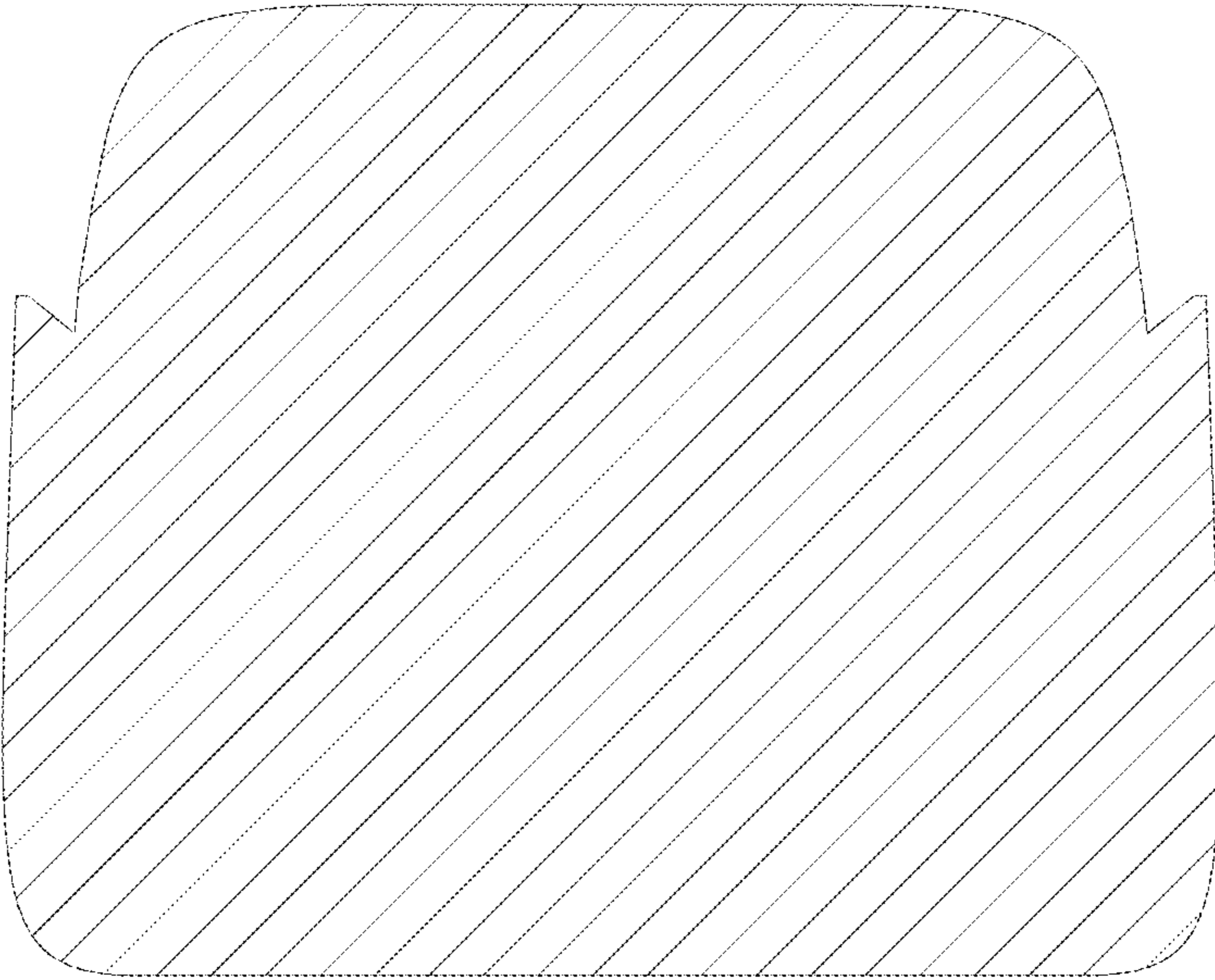


FIG.8