

US00D968013S

(12) **United States Design Patent** (10) **Patent No.:** **US D968,013 S**
Huang (45) **Date of Patent:** **** Oct. 25, 2022**

(54) **DESK LAMP**
(71) Applicant: **ZHONGSHAN QIANMEI LIGHTING APPLIANCE CO., LTD.,**
Zhongshan (CN)
(72) Inventor: **Shengzhao Huang,** Zhongshan (CN)
(73) Assignee: **ZHONGSHAN QIANMEI LIGHTING APPLIANCE CO., LTD.,**
Zhongshan (CN)
(**) Term: **15 Years**

D651,734 S * 1/2012 Li D26/63
D681,865 S * 5/2013 Lee D26/107
D689,642 S * 9/2013 Huang D26/63
D758,631 S * 6/2016 Cai D26/63
D759,282 S * 6/2016 Lee D26/65
D800,937 S * 10/2017 Li D26/63
D804,071 S * 11/2017 Xu D26/63
D804,072 S * 11/2017 Xu D26/63
D822,265 S * 7/2018 Tong D26/107
D840,583 S * 2/2019 Yu D26/107
D907,837 S * 1/2021 Tang D26/107
D935,684 S * 11/2021 Wu D26/107
D936,885 S * 11/2021 Yang D26/63
D945,048 S * 3/2022 Zhou D26/106
D950,138 S * 4/2022 Huang D26/65

(Continued)

(21) Appl. No.: **29/820,188**

(22) Filed: **Dec. 20, 2021**

(30) **Foreign Application Priority Data**

Dec. 8, 2021 (EM) 008790059-0001

(51) **LOC (13) Cl.** **26-05**

(52) **U.S. Cl.**
USPC **D26/107**

(58) **Field of Classification Search**
USPC D26/24, 51, 56, 61, 63, 64, 65, 93, 94,
D26/100, 106, 107
CPC F21S 6/00; F21S 6/002; F21S 6/003; F21S
6/004; F21S 6/005; F21S 6/006; F21S
8/036; F21V 21/06; F21V 21/14; F21V
21/26; F21V 21/30
See application file for complete search history.

(56) **References Cited**

U.S. PATENT DOCUMENTS

D122,711 S * 9/1940 May D26/109
D203,863 S * 2/1966 Neumann D26/109
D619,746 S * 7/2010 Huang D26/65
D620,165 S * 7/2010 Huang D26/65
D623,334 S * 9/2010 Huang D26/65
D623,788 S * 9/2010 Huang D26/65
D627,501 S * 11/2010 Lin D26/65

OTHER PUBLICATIONS

Amazon.com, White crown LED Desk Lamp, Mar. 23, 2020, <https://www.amazon.com/Eye-Caring-Protects-Brightness-Adjustable-White/dp/B0868HY623/> (Year: 2020).*

Primary Examiner — Nathan M Johnston

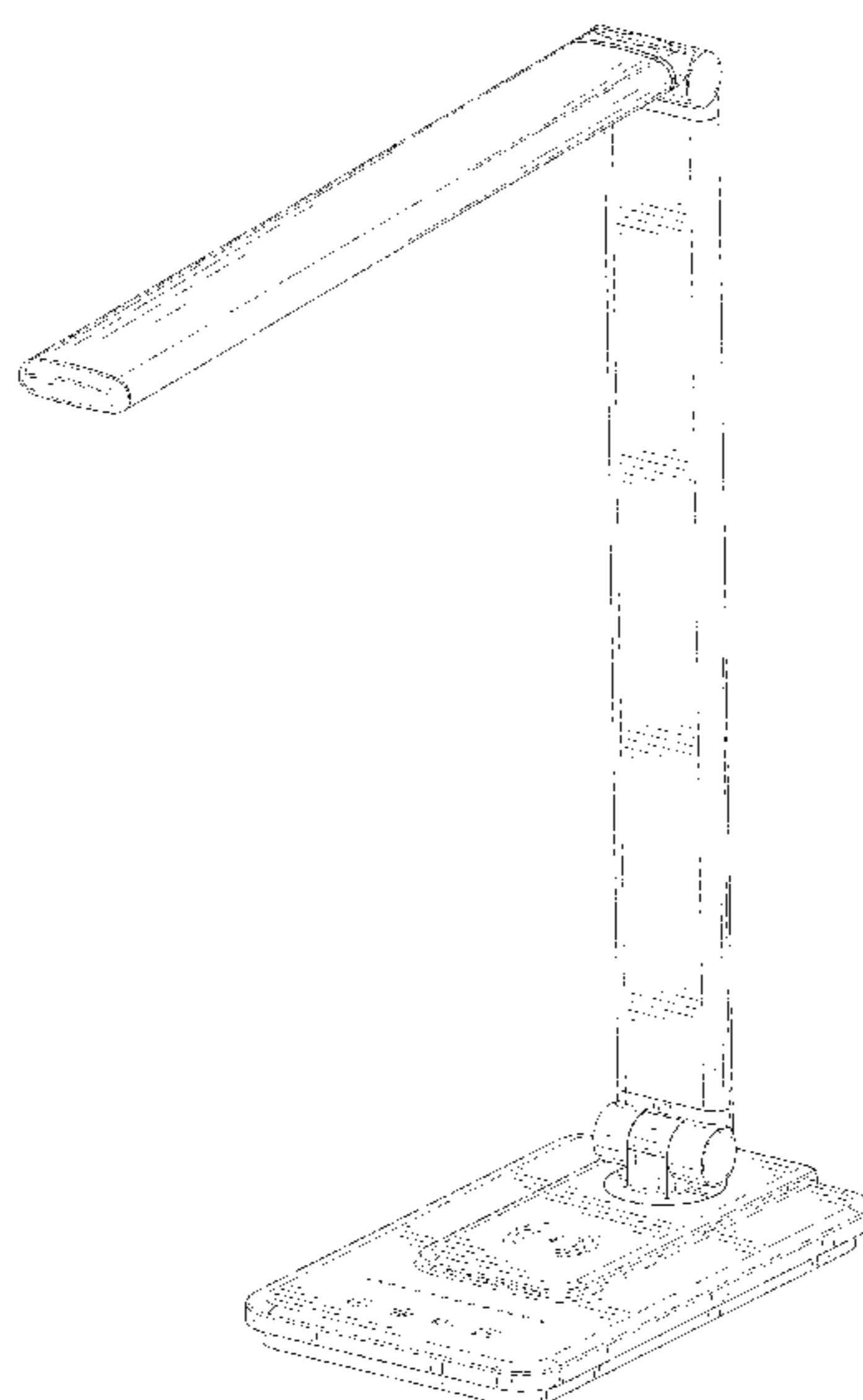
(57) **CLAIM**

The ornamental design for a desk lamp, as shown and described.

DESCRIPTION

FIG. 1 is a perspective view of a desk lamp showing my new design;
FIG. 2 is another perspective view thereof;
FIG. 3 is a front elevational view thereof;
FIG. 4 is a rear elevational view thereof;
FIG. 5 is a left side elevational view thereof;
FIG. 6 is a right side elevational view thereof;
FIG. 7 is a top plan view thereof; and,
FIG. 8 is a bottom plan view thereof.
The broken lines in the drawings depict portions of the desk lamp that form no part of the claimed design.

1 Claim, 8 Drawing Sheets



(56)

References Cited

U.S. PATENT DOCUMENTS

D952,236 S * 5/2022 Zhang D26/93
2009/0180284 A1* 7/2009 Lin F21S 6/003
362/294
2010/0296279 A1* 11/2010 Ko F21S 6/003
362/231
2018/0058647 A1* 3/2018 He F21V 21/116

* cited by examiner

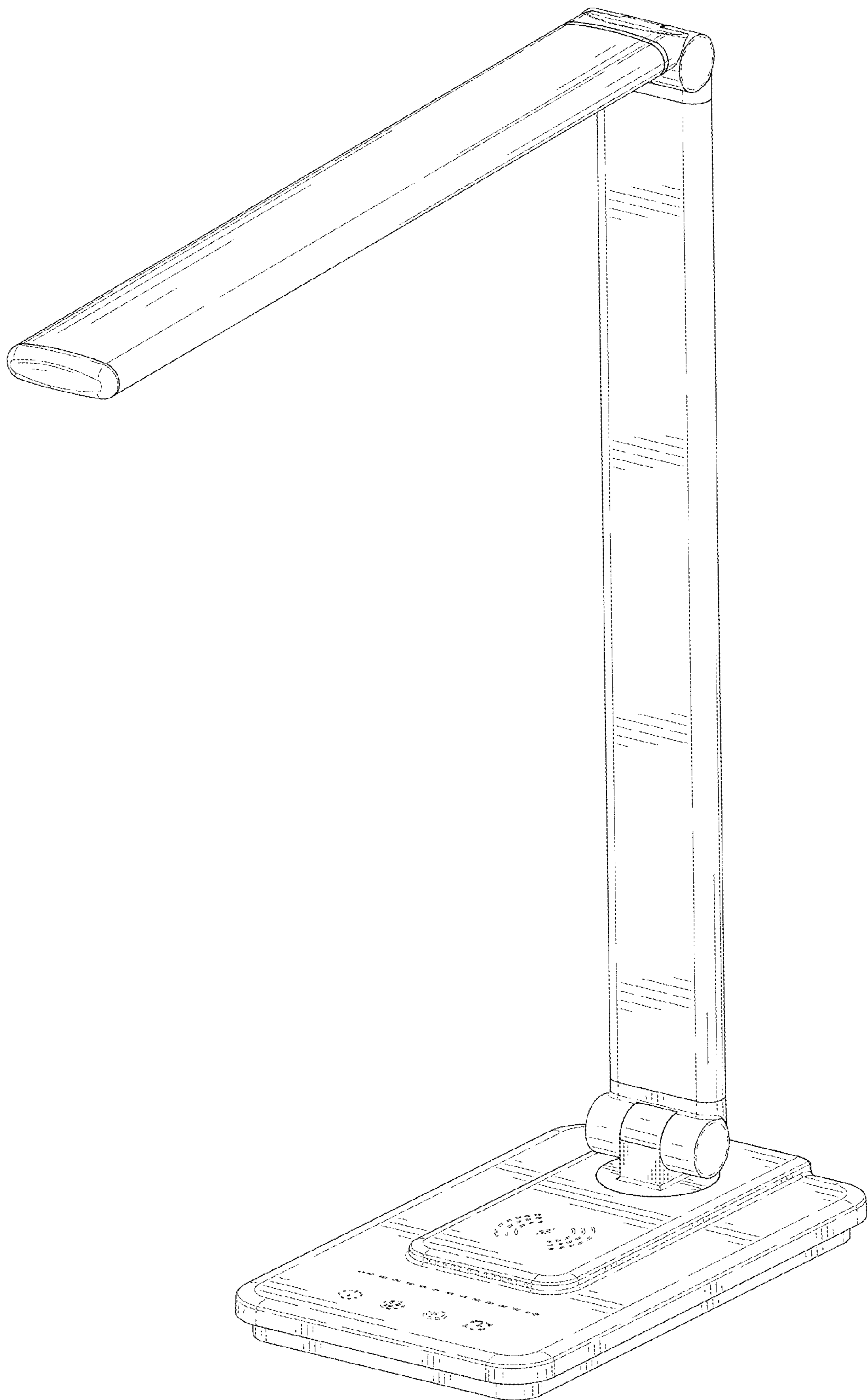


FIG. 1

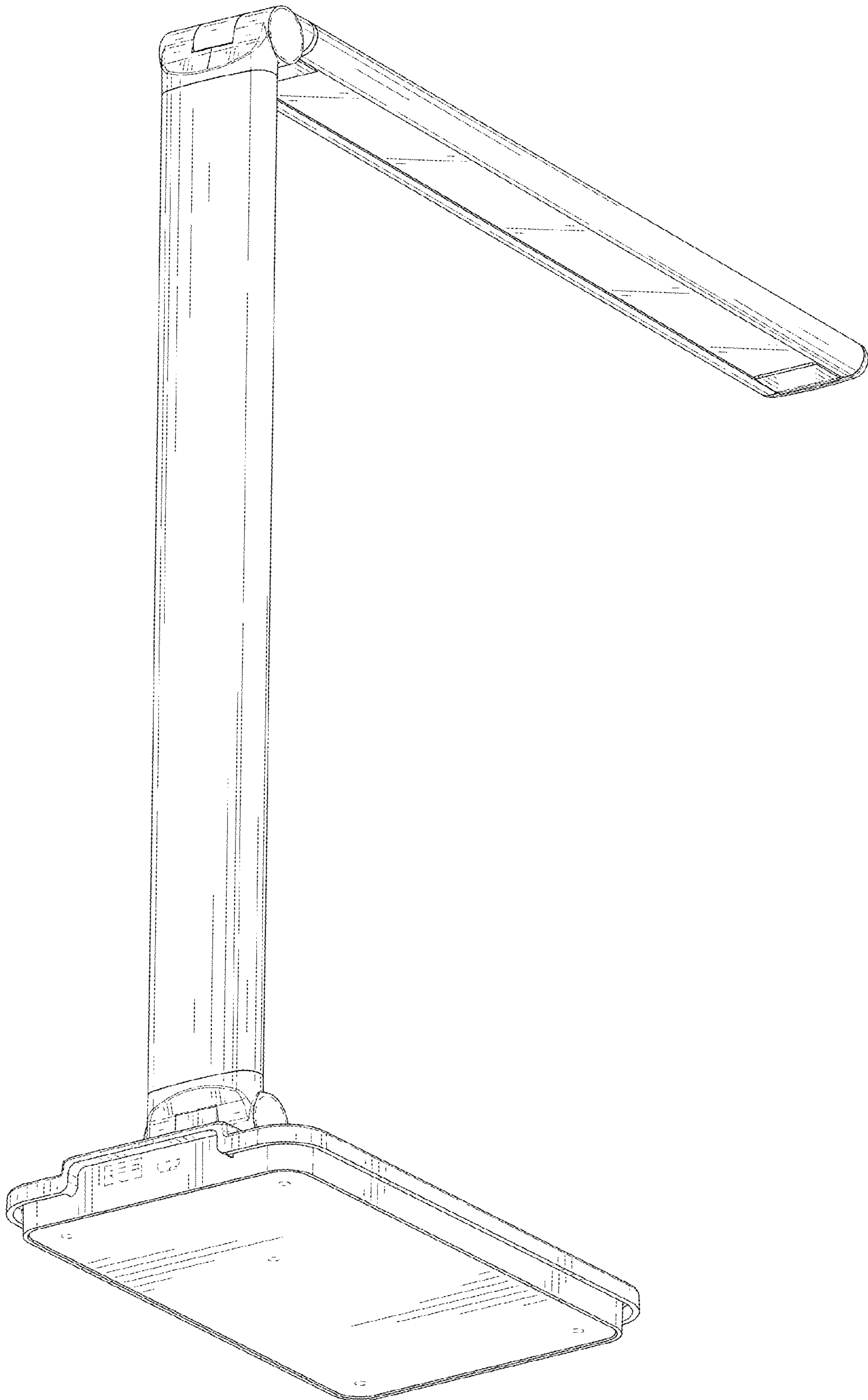


FIG. 2

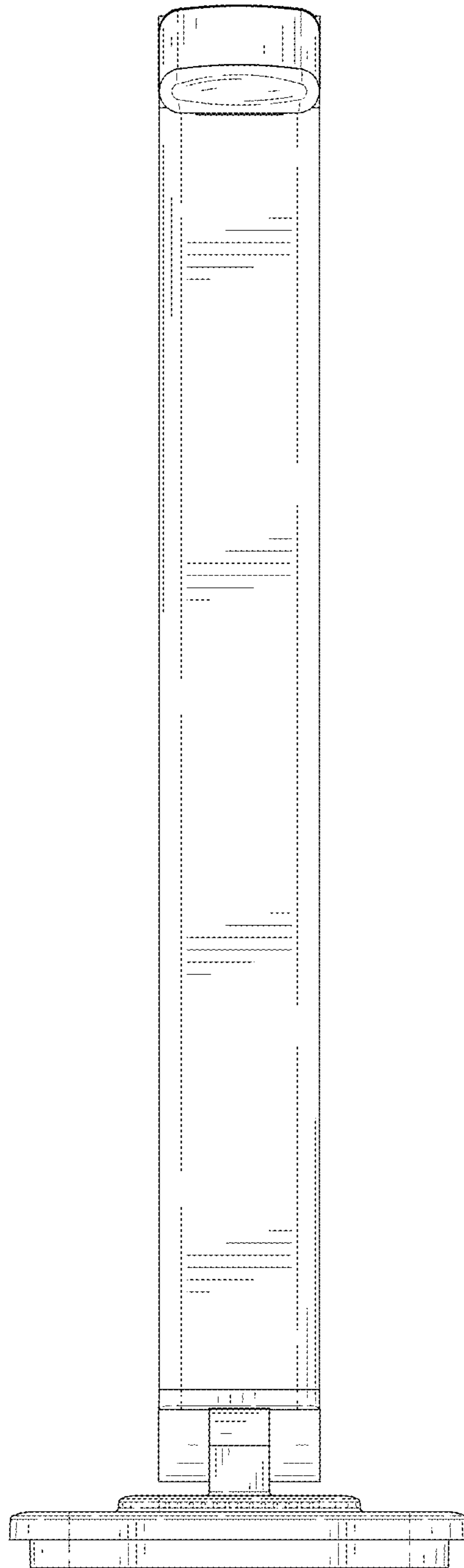


FIG. 3

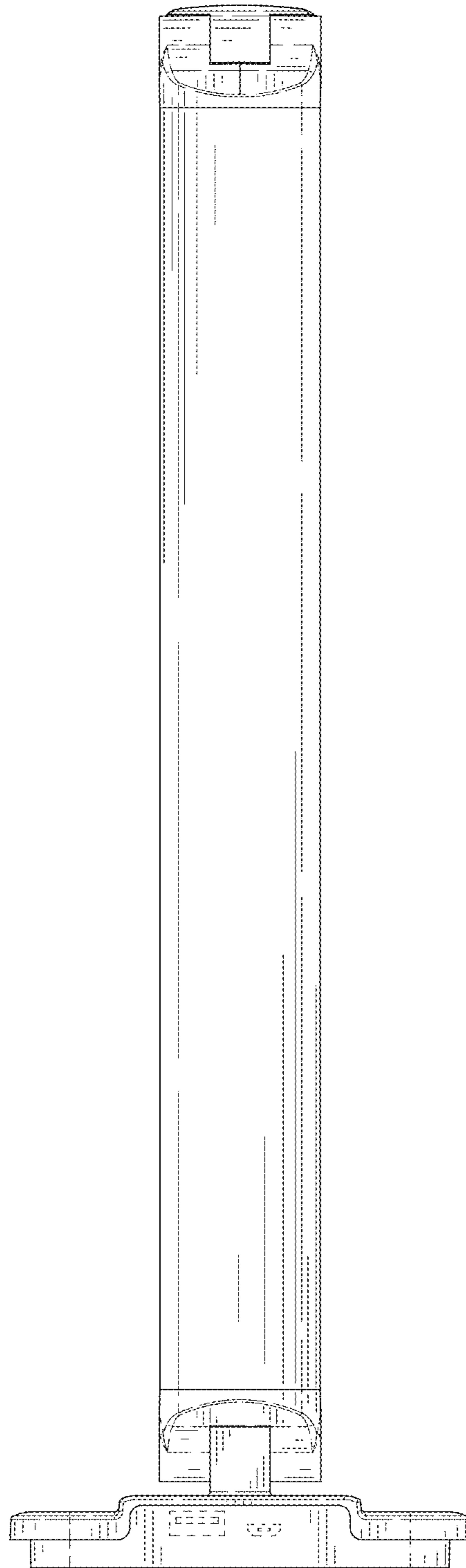


FIG. 4

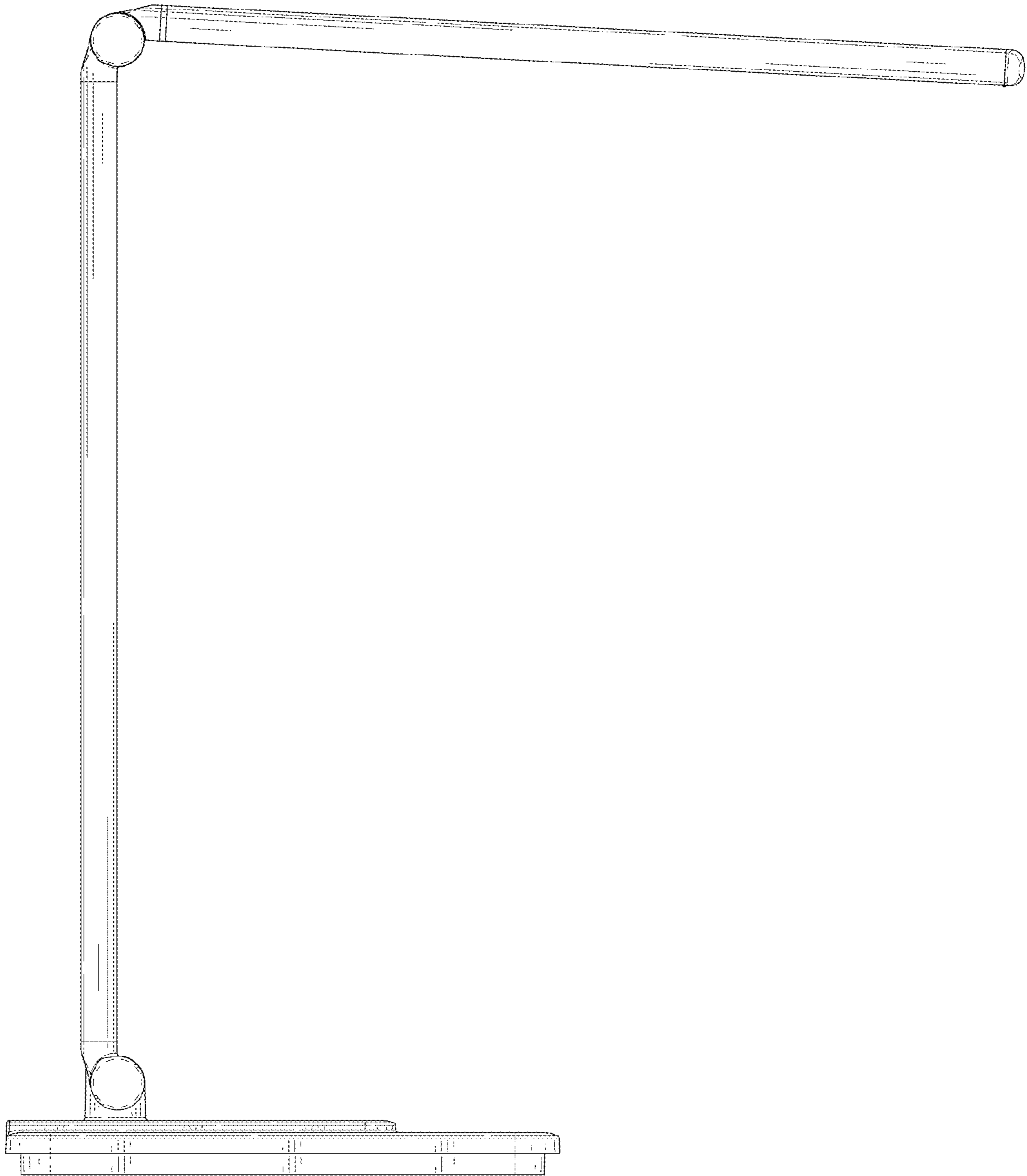


FIG. 5

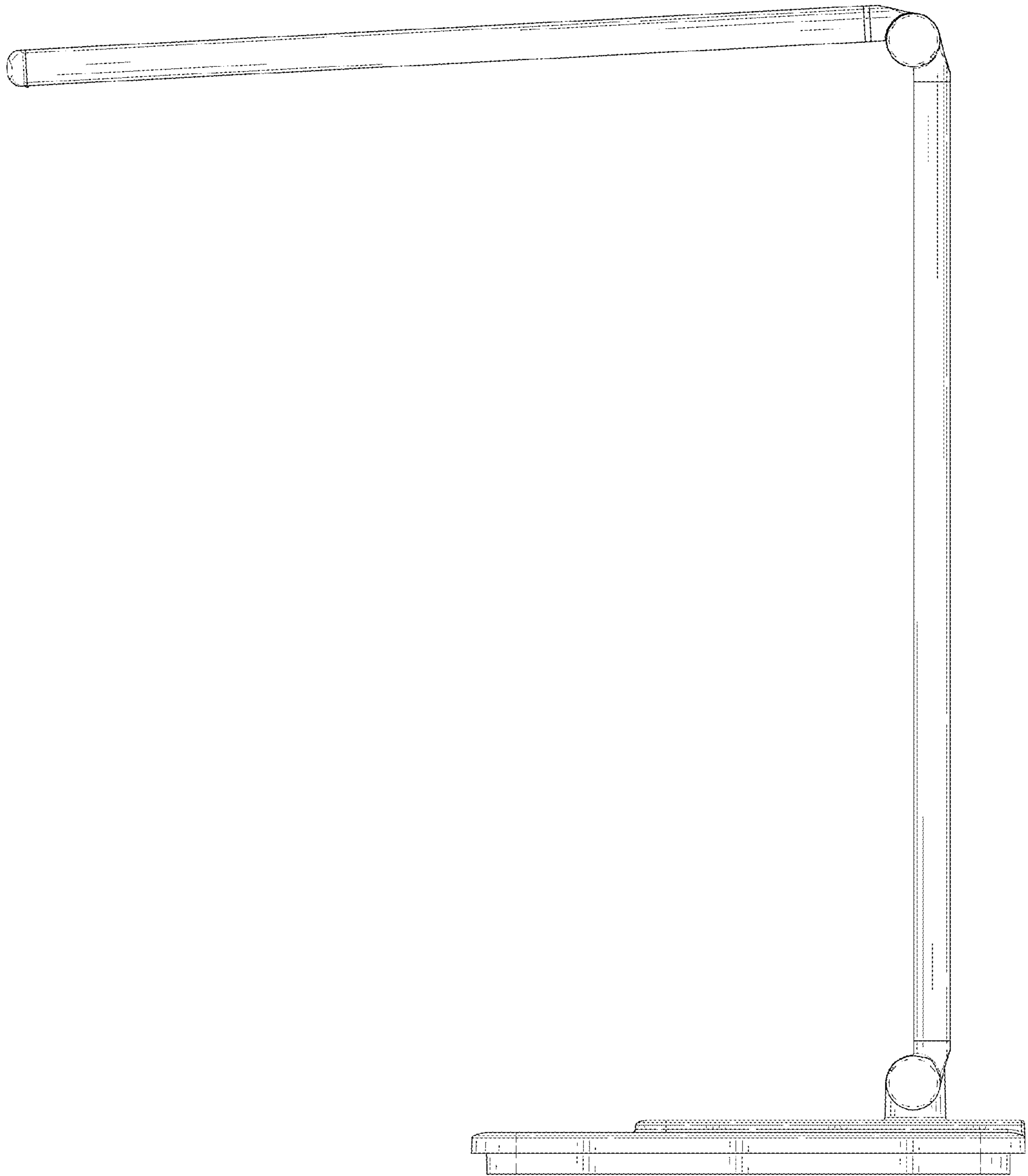


FIG. 6

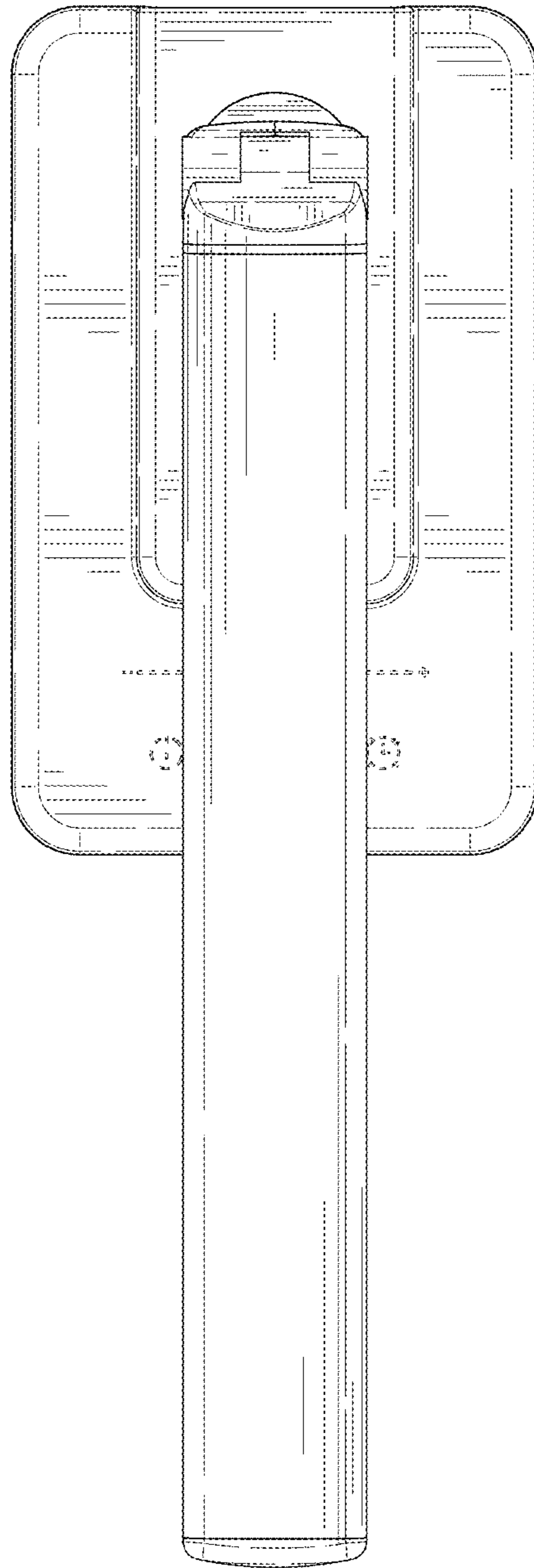


FIG. 7

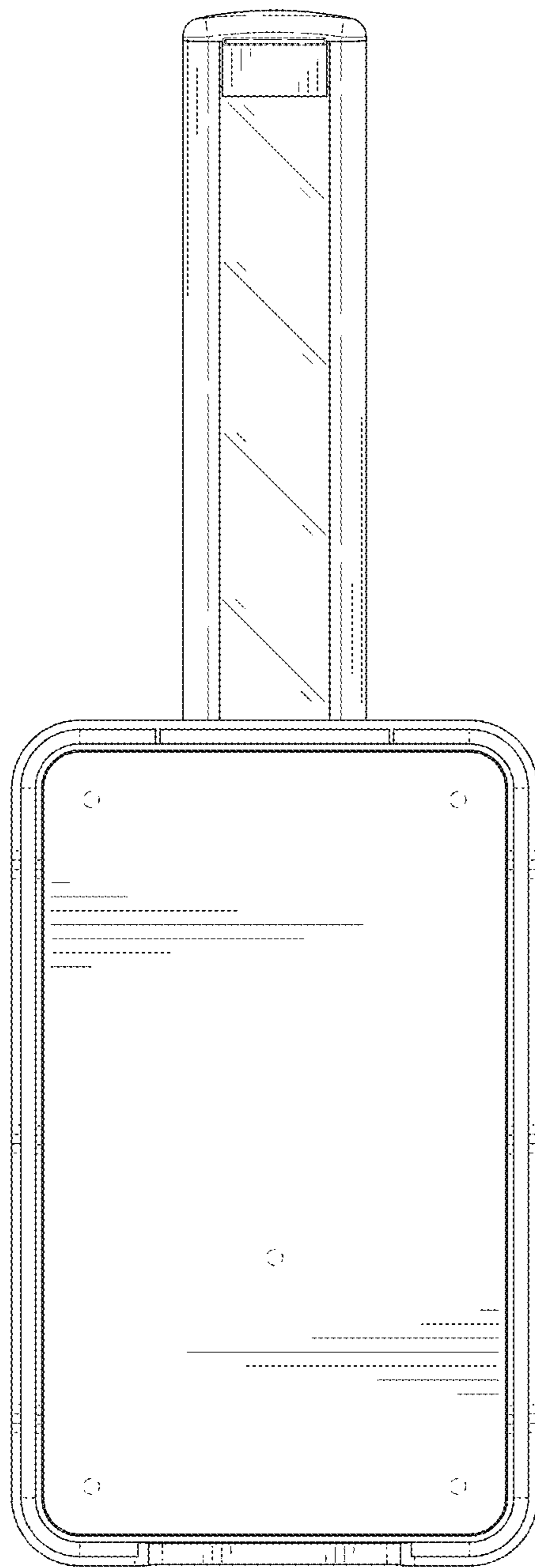


FIG. 8