



US00D968010S

(12) **United States Design Patent** (10) **Patent No.:** **US D968,010 S**  
**Kim et al.** (45) **Date of Patent:** **\*\* Oct. 25, 2022**

(54) **PORTABLE LIGHT**

(56) **References Cited**

(71) Applicant: **LUPLE Inc.**, Seoul (KR)  
(72) Inventors: **Yong Duck Kim**, Yongin-si (KR);  
**Hyun Jun Park**, Yongin-si (KR); **Nam Su Lee**, Seoul (KR); **Ji Yeon Jo**, Suwon-si (KR)

U.S. PATENT DOCUMENTS

D544,618 S *	6/2007	Coushaine	.....	D26/37
D567,994 S *	4/2008	Chan	.....	D26/104
D800,373 S *	10/2017	Soni	.....	D26/118
D838,030 S *	1/2019	Scarso	.....	D26/110
D858,861 S *	9/2019	Lin	.....	D26/108
D879,357 S *	3/2020	Vuorivirta	.....	D26/104
D887,623 S *	6/2020	Ji	.....	D26/110
D889,731 S *	7/2020	Yang	.....	D26/110
D905,318 S *	12/2020	Cui	.....	D26/106
D917,774 S *	4/2021	Wang	.....	D26/110
D923,236 S *	6/2021	Chen	.....	D26/93
D927,767 S *	8/2021	Zheng	.....	D26/110
D932,088 S *	9/2021	Zhang	.....	D26/110
D942,672 S *	2/2022	Chen	.....	D26/104

(\*\*) Term: **15 Years**

(21) Appl. No.: **35/511,238**

(22) Filed: **Nov. 25, 2020**

(80) **Hague Agreement Data**

Int. Filing Date: **Nov. 25, 2020**  
Int. Reg. No.: **DM/212311**  
Int. Reg. Date: **Nov. 25, 2020**  
Int. Reg. Pub. Date: **Jan. 29, 2021**

\* cited by examiner

*Primary Examiner* — Natasha Vujcic  
(74) *Attorney, Agent, or Firm* — Rabin & Berdo, P.C.

(30) **Foreign Application Priority Data**

May 28, 2020 (KR) ..... 30-2020-0023772

(51) **LOC (13) Cl.** ..... **26-05**

(52) **U.S. Cl.**  
USPC ..... **D26/93**

(58) **Field of Classification Search**  
USPC ..... D26/76, 78, 79, 80, 81, 82, 83, 85–90,  
D26/93, 111, 113, 118, 119, 120, 121,  
D26/122, 138, 139, 140, 141, 142, 152  
CPC ..... F21S 2/00; F21S 4/00; F21S 4/003; F21S  
4/005; F21S 4/006; F21S 4/007; F21S  
4/008; F21S 6/00; F21S 8/00; F21S  
8/024; F21S 8/026; F21S 8/031; F21S  
8/033; F21S 8/035–037; F21S 8/04; F21S  
8/043; F21S 8/063

See application file for complete search history.

(57) **CLAIM**

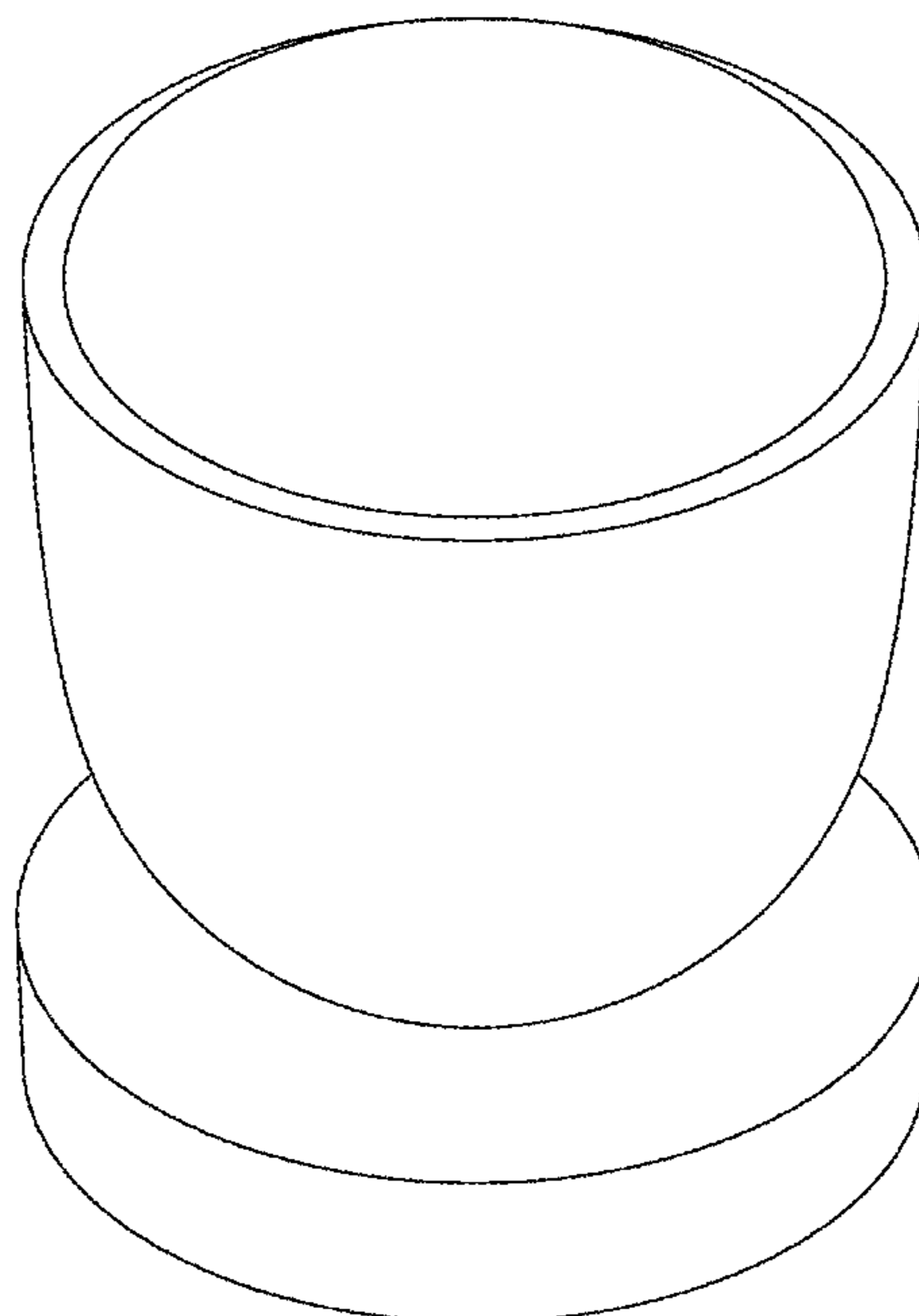
The ornamental design for a portable light, as shown and described.

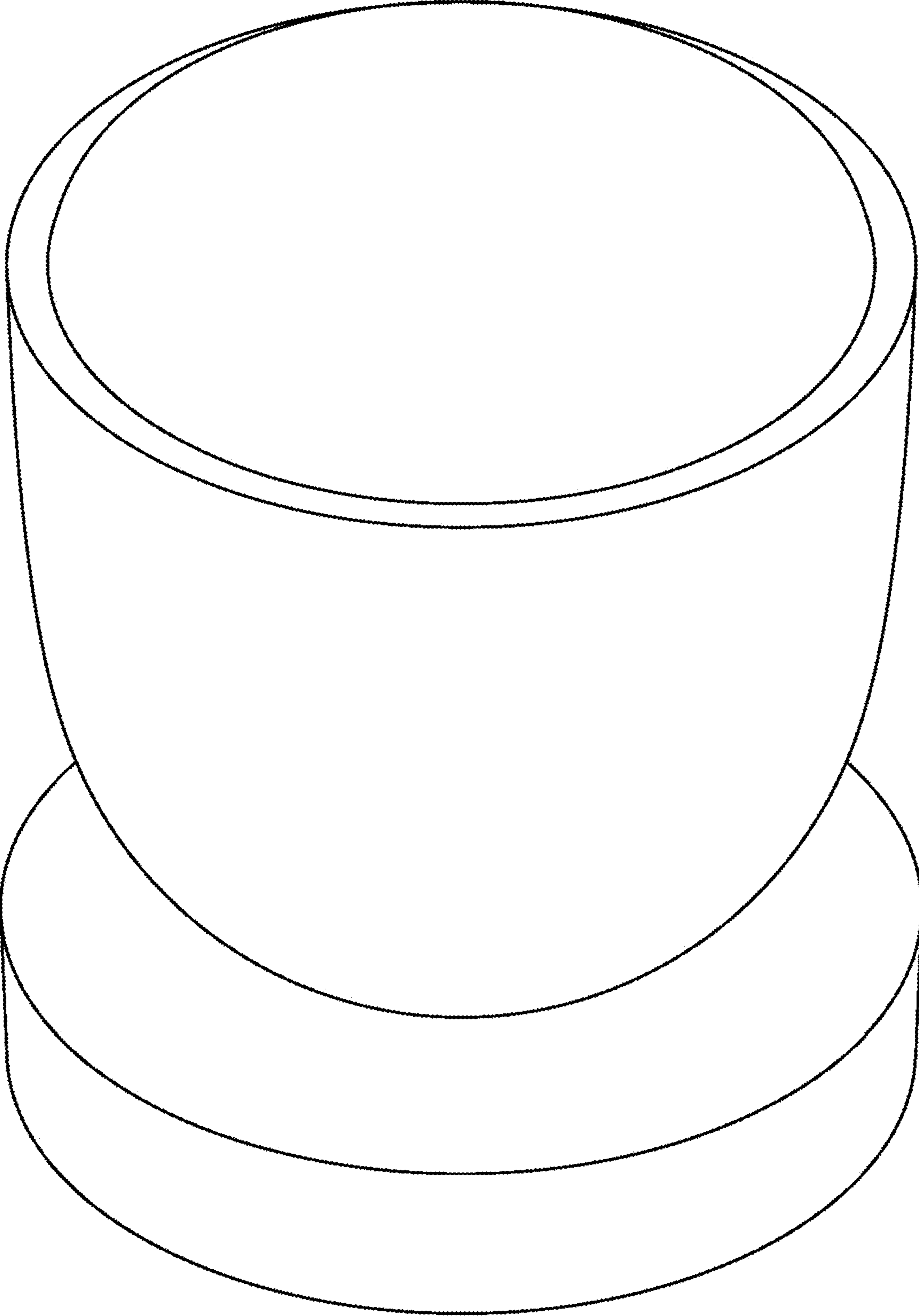
**DESCRIPTION**

1. Portable light
- 1.1: Perspective
- 1.2: Front
- 1.3: Back
- 1.4: Top
- 1.5: Bottom
- 1.6: Left
- 1.7: Right

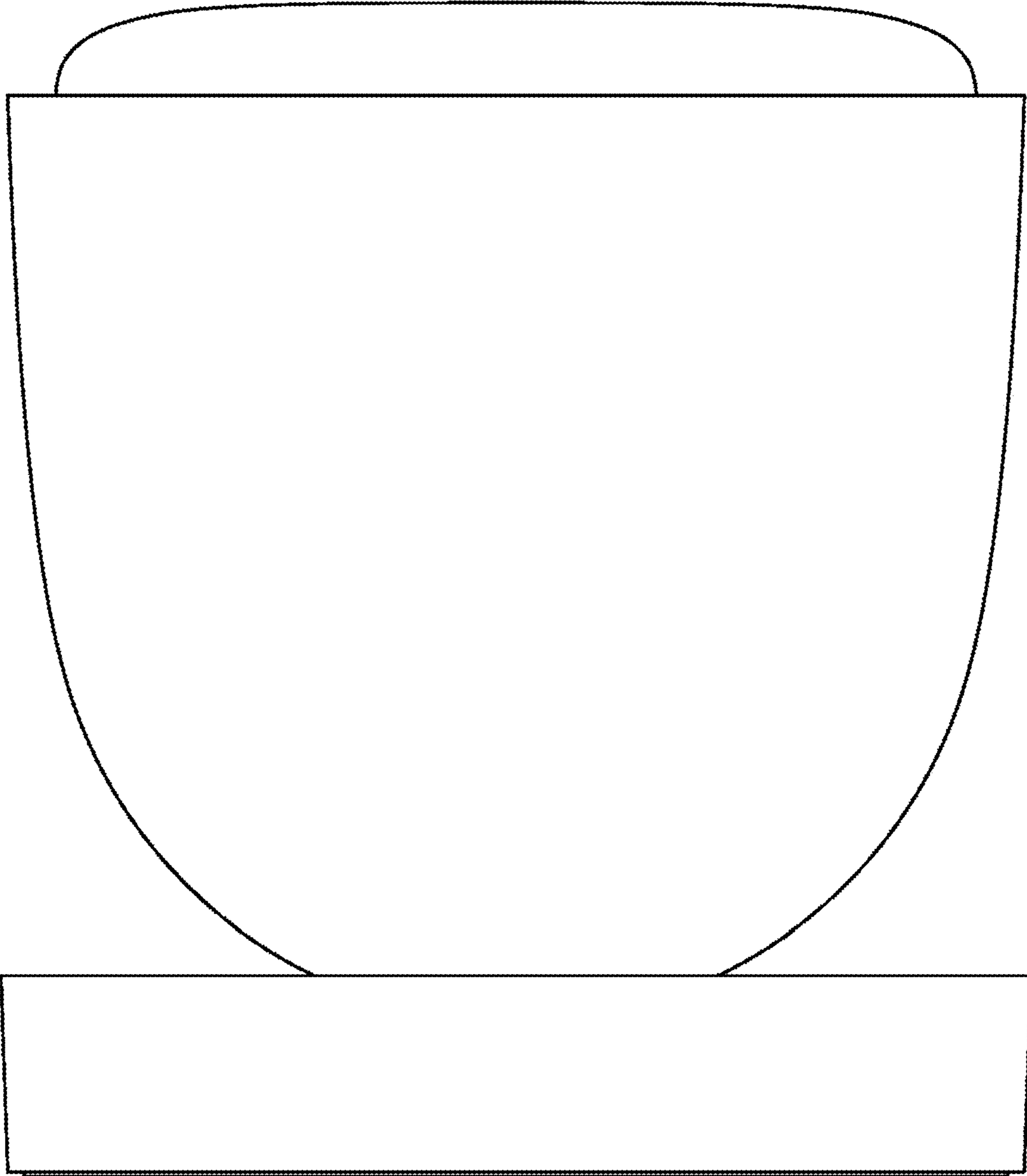
The broken lines depict portions of the article that form no part of the claimed design.

**1 Claim, 7 Drawing Sheets**

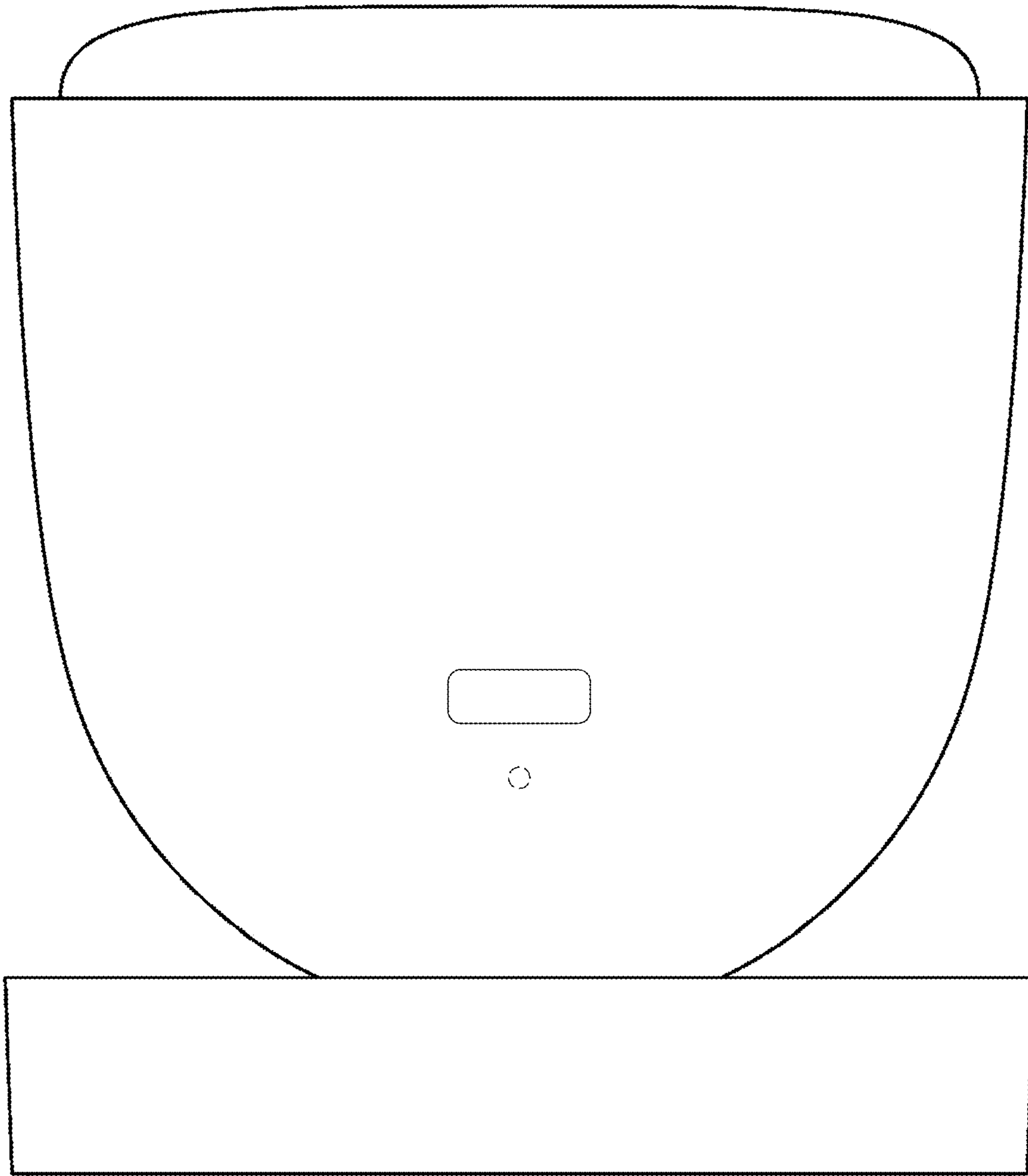




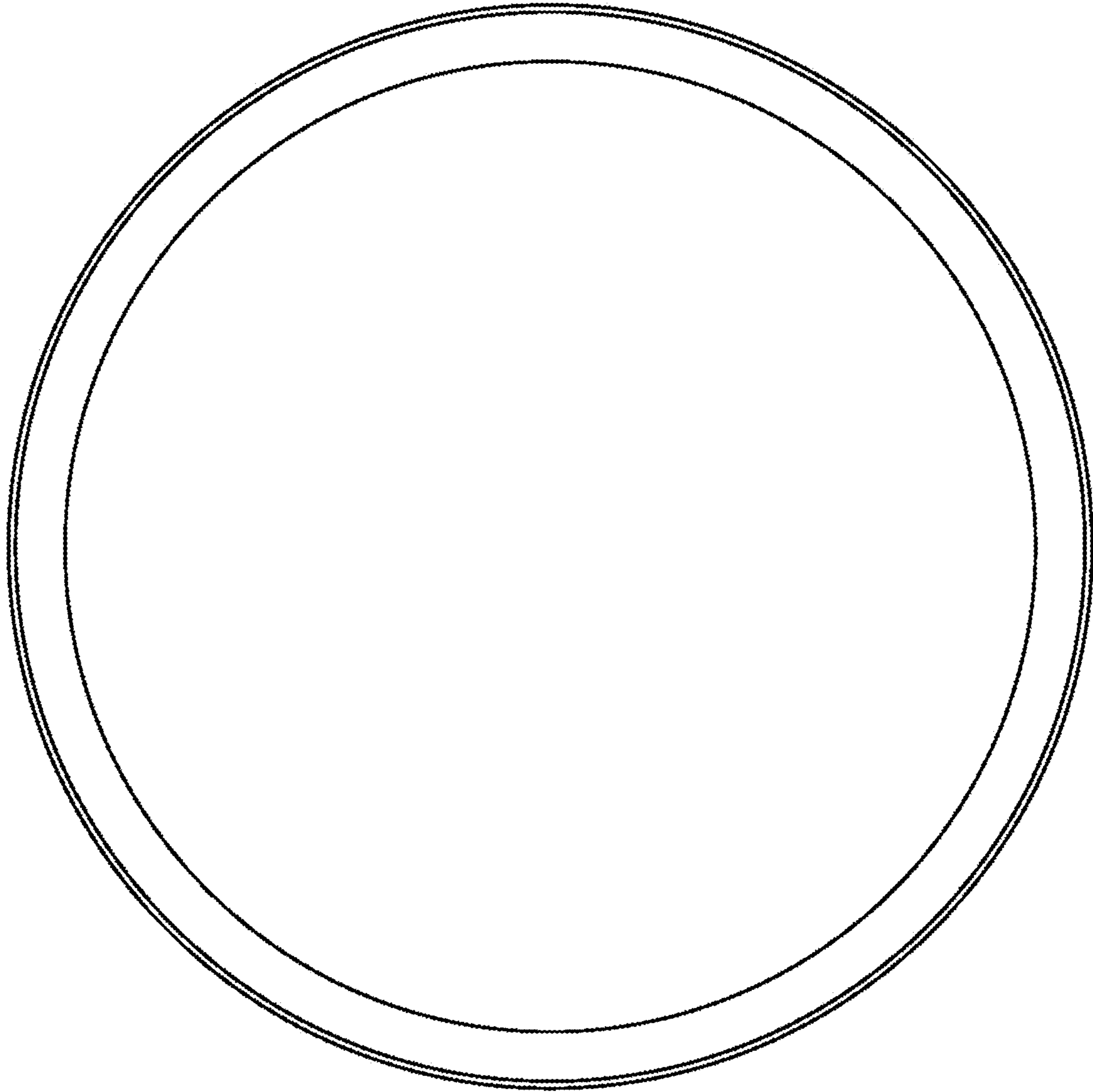
1.1



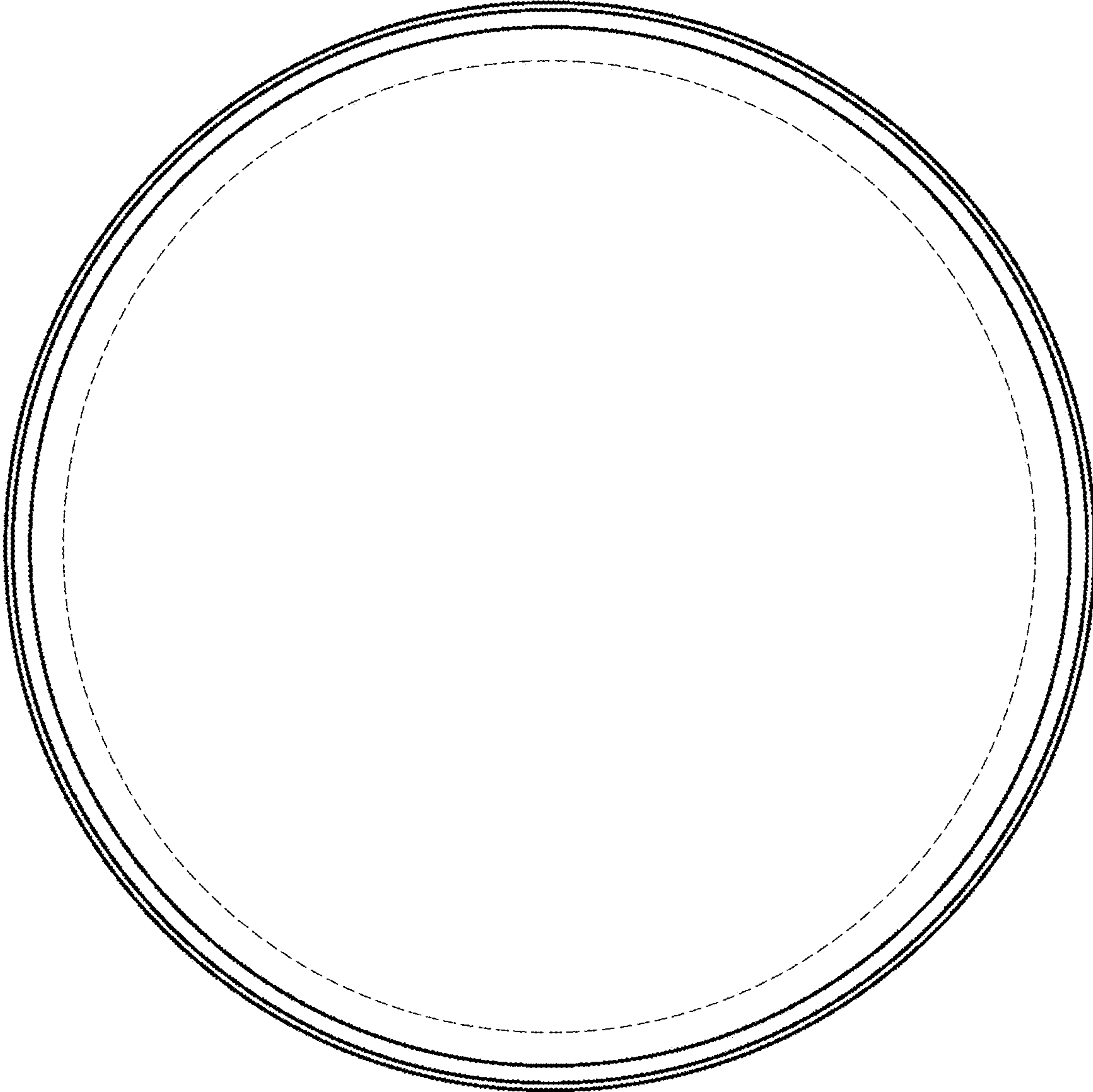
1.2



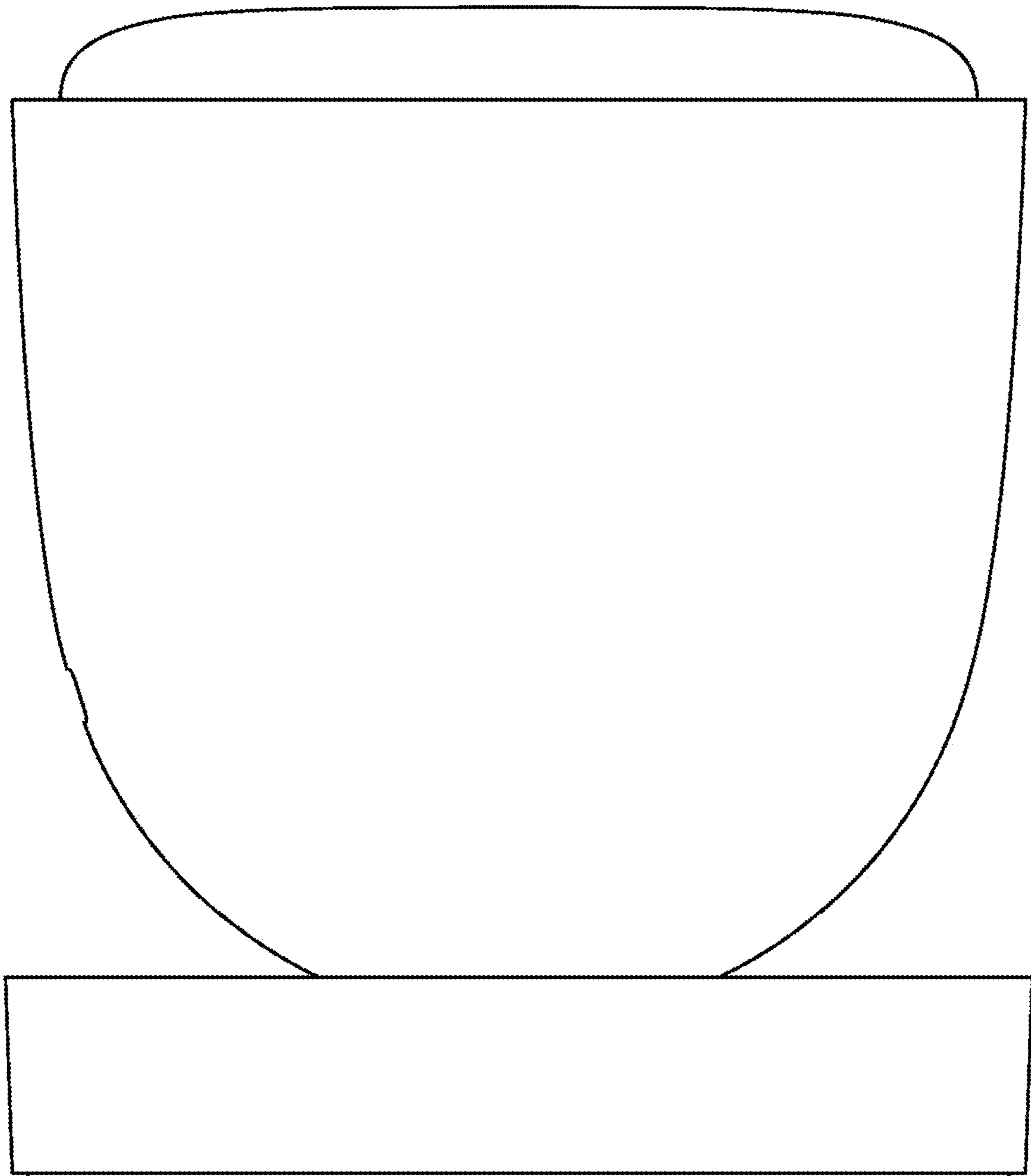
1.3



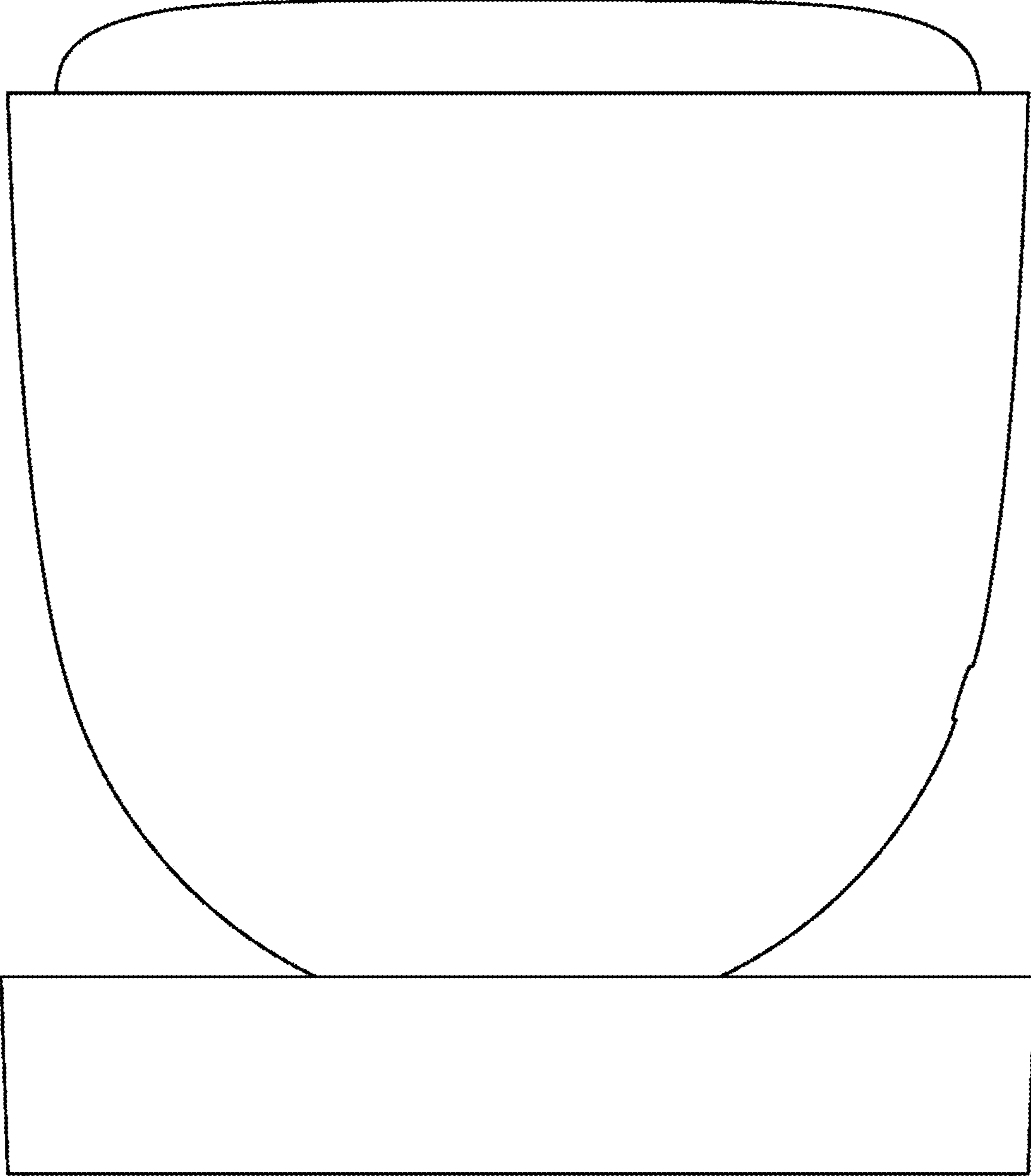
1.4



1.5



1.6



1.7