



US00D968009S

(12) **United States Design Patent** (10) **Patent No.:** **US D968,009 S**
Luo (45) **Date of Patent:** **** Oct. 25, 2022**

(54) **LAMP**

(71) Applicant: **HOMEANGEL, LLC**, Tallahassee, FL (US)

(72) Inventor: **Jihua Luo**, Tallahassee, FL (US)

(73) Assignee: **HOMEANGEL, LLC**, Tallahassee, FL (US)

(**) Term: **15 Years**

(21) Appl. No.: **29/839,049**

(22) Filed: **May 18, 2022**

(51) **LOC (13) Cl.** **26-03**

(52) **U.S. Cl.**
USPC **D26/87; D26/80; D26/86**

(58) **Field of Classification Search**
USPC D26/72, 80, 85, 86, 87, 92
CPC .. F21S 8/033; F21S 8/035; F21S 8/036; F21S 8/046

See application file for complete search history.

(56) **References Cited**

U.S. PATENT DOCUMENTS

D104,034 S *	4/1937	Kanter	D26/86
D105,057 S *	6/1937	Kanter	D26/86
D487,598 S	3/2004	Schuetz et al.	
D510,452 S *	10/2005	Porter	D26/80
D514,730 S *	2/2006	Lo	D26/87
D573,748 S *	7/2008	Hsu	D26/86
D576,339 S *	9/2008	Porter	D26/80
D685,124 S *	6/2013	Dolan	D26/86
D685,125 S *	6/2013	Dolan	D26/86
D901,747 S	11/2020	Lin	
D913,565 S *	3/2021	Yu	D26/87

D916,352 S *	4/2021	Zeng	D26/86
D921,274 S *	6/2021	Jiang	D26/86
2013/0077295 A1 *	3/2013	Hayashi	H01L 33/00 362/217.05

OTHER PUBLICATIONS

Kichler Avery 33.25" 4 Light Vanity Light ASIN: B07DPWKRYT. Available from amazon.com Jun. 13, 2018 (Year: 2018).*
Quorum International 4-LT Vanity—Satin Nickel—508-4-65 ASIN: B0794J5WZC. Available from amazon.com Jan. 17, 2018. (Year: 2018).*
VINLUZ Industrial 3-Lights Vanity Light Fixture ASIN: B08DLS9141. Available from amazon.com Oct. 10, 2020. (Year: 2020).*
LauxaL 3 Light Modern Vanity Light ASIN: B08TWP4S4B. Available from amazon.com Apr. 1, 2021. (Year: 2021).*

* cited by examiner

Primary Examiner — Clare E Heflin

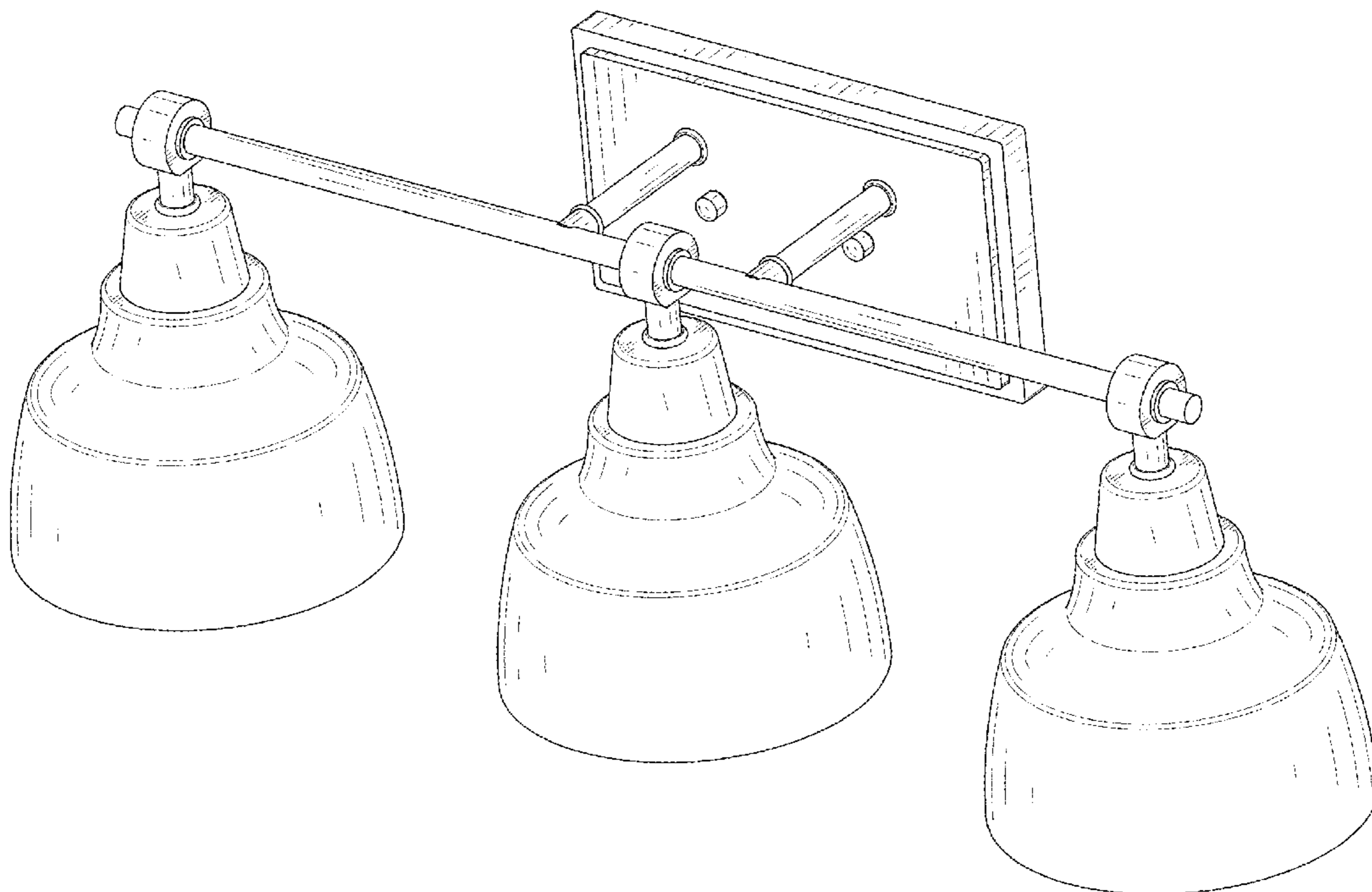
(57) **CLAIM**

The ornamental design for a lamp, as shown and described.

DESCRIPTION

FIG. 1 is a perspective view of a lamp showing my new design;
FIG. 2 is another perspective view thereof;
FIG. 3 is a front elevational view thereof;
FIG. 4 is a rear elevational view thereof;
FIG. 5 is a left side elevational view thereof;
FIG. 6 is a right side elevational view thereof;
FIG. 7 is a top plan view thereof; and,
FIG. 8 is a bottom plan view thereof.
The broken lines in the drawings depict portions of the lamp that form no part of the claimed design.

1 Claim, 8 Drawing Sheets



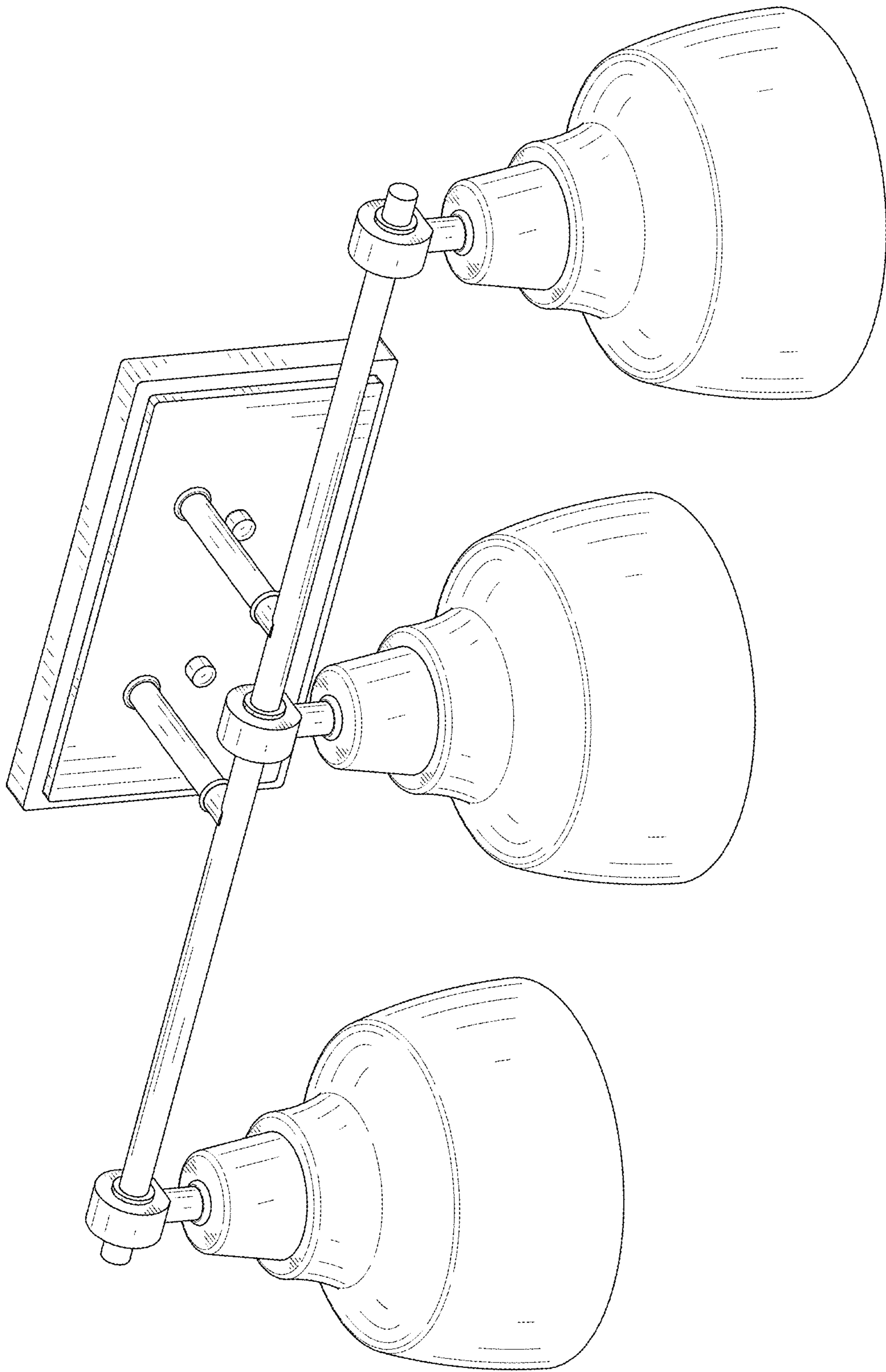


FIG. 1

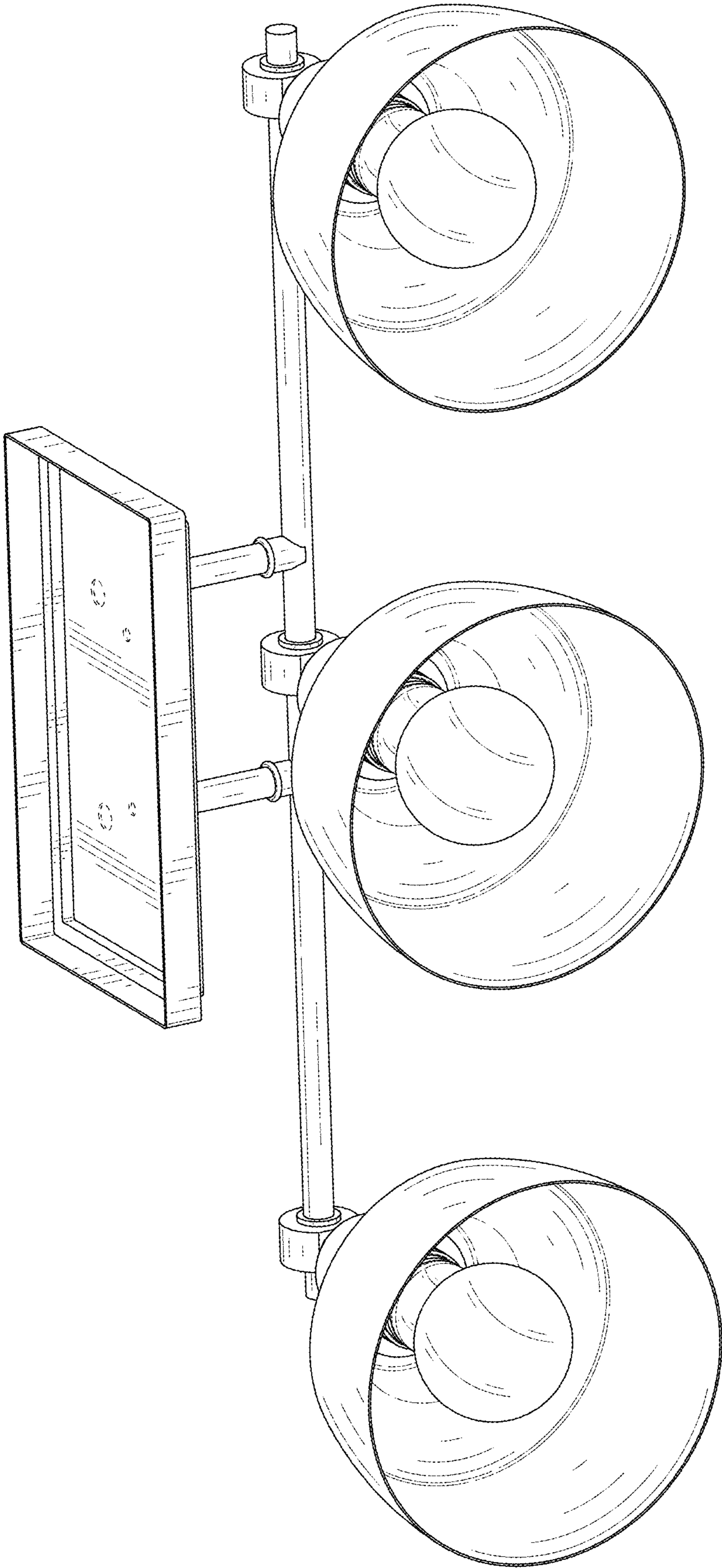


FIG. 2

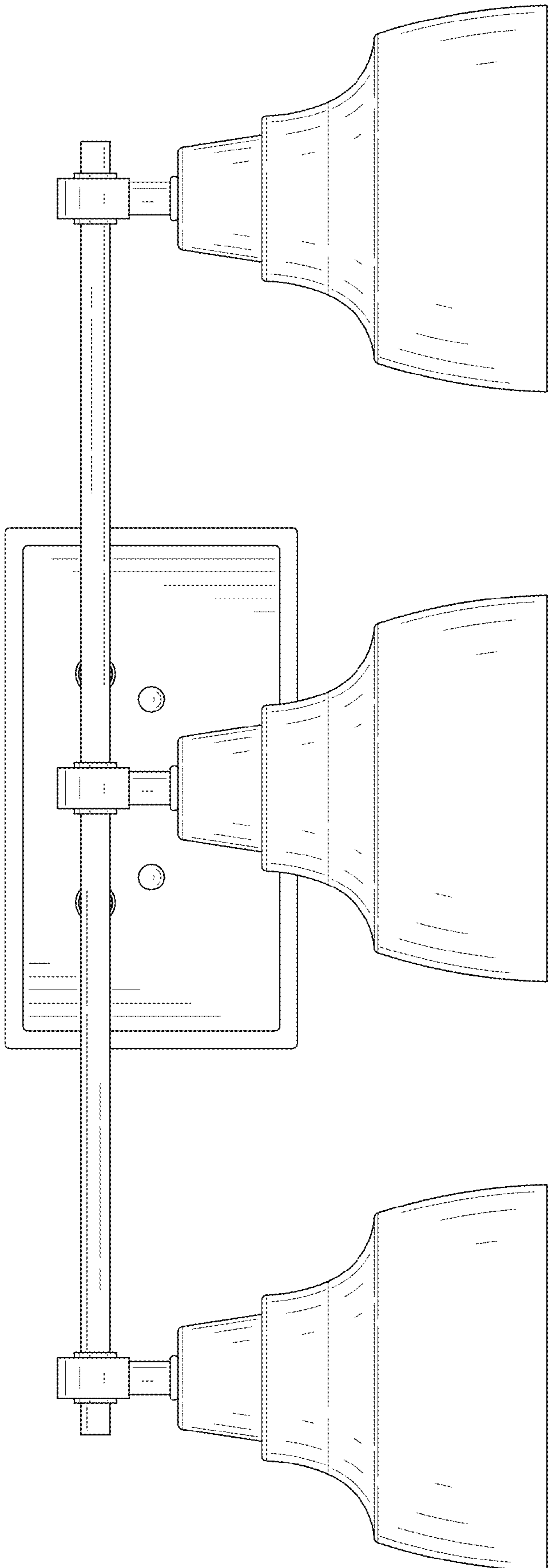


FIG. 3

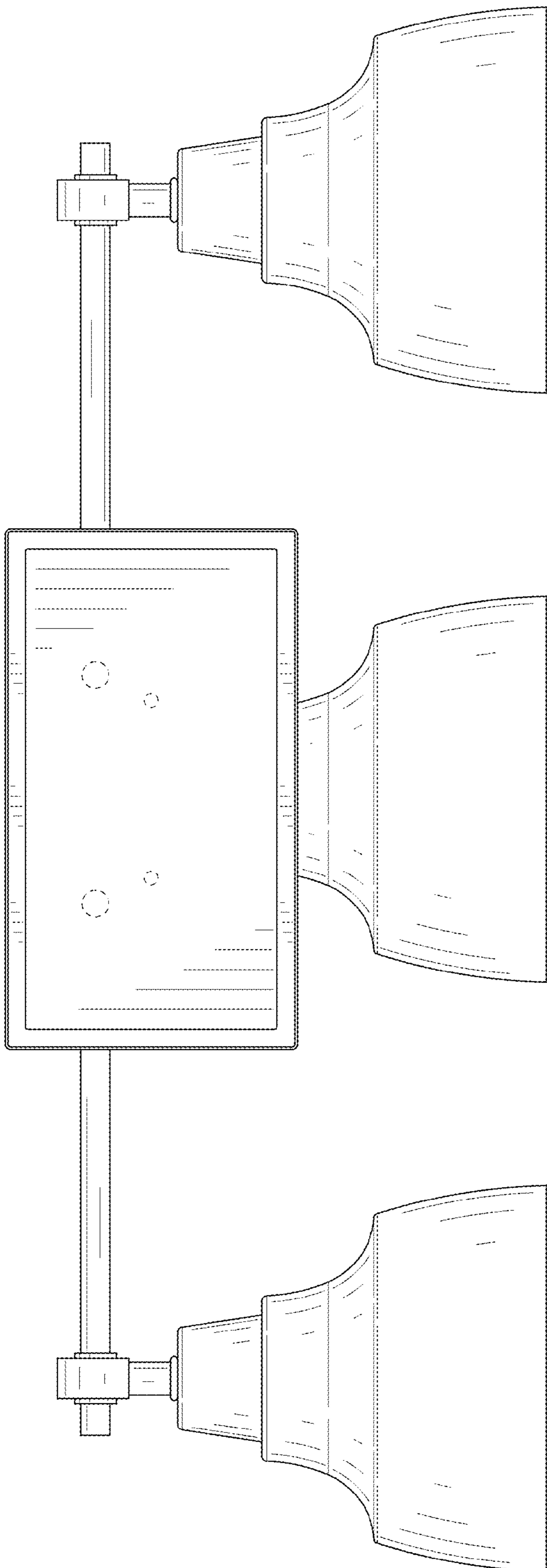


FIG. 4

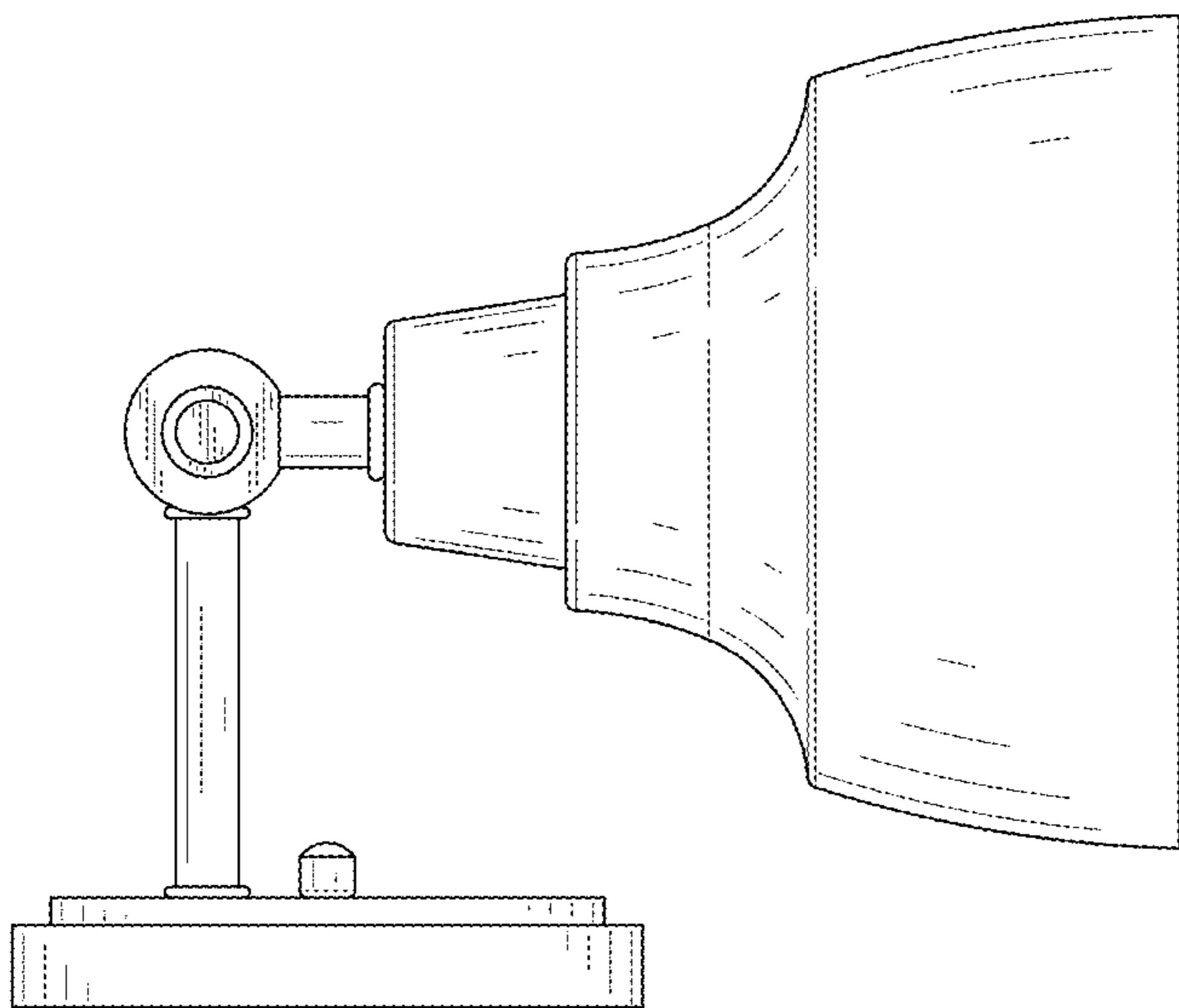


FIG. 5

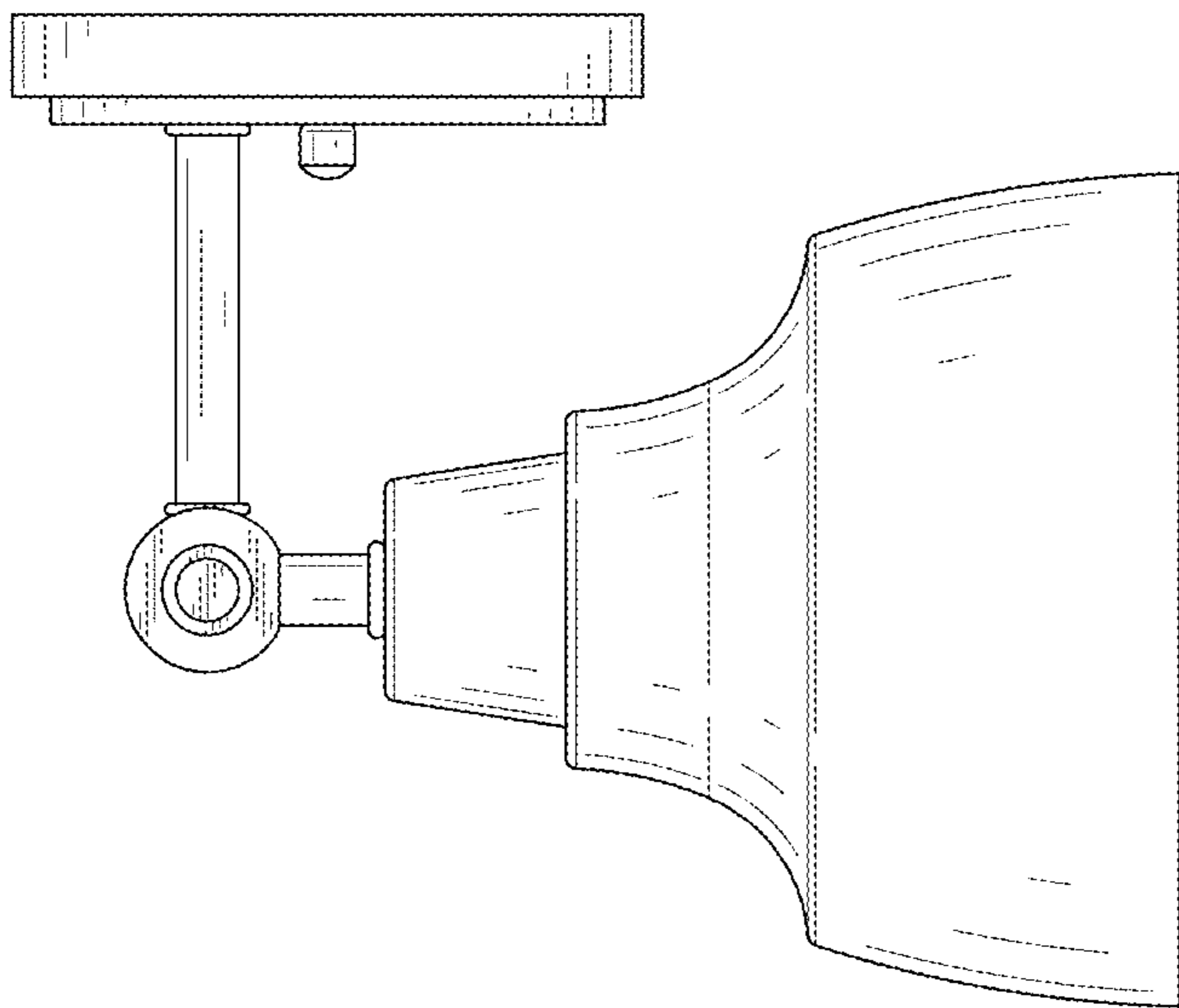


FIG. 6

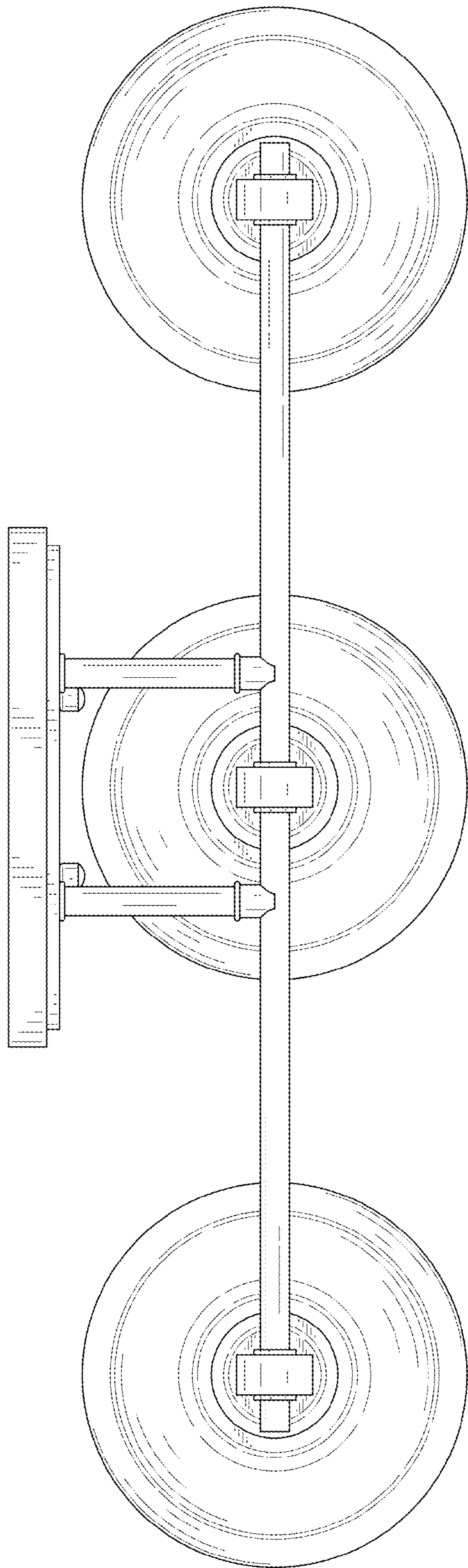


FIG. 7

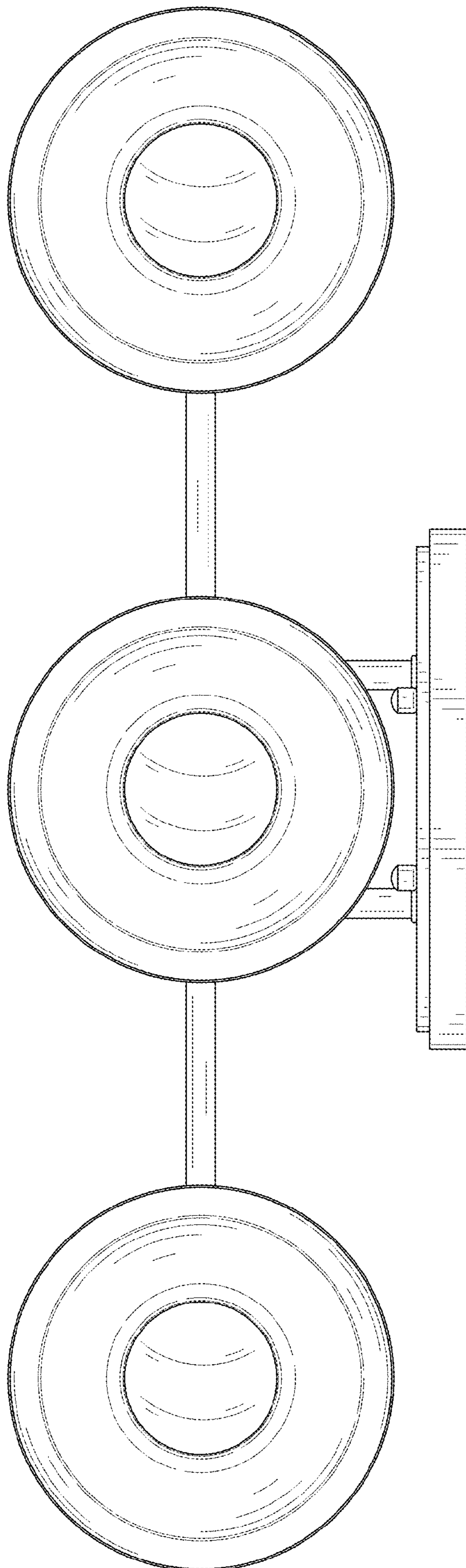


FIG. 8