



US00D968008S

(12) **United States Design Patent**
Zheng

(10) **Patent No.:** **US D968,008 S**

(45) **Date of Patent:** **** Oct. 25, 2022**

(54) **LED LIGHT FIXTURE**

FOREIGN PATENT DOCUMENTS

(71) Applicant: **Zhancheng Zheng**, Puning (CN)

CN 302933047 S 9/2014

(72) Inventor: **Zhancheng Zheng**, Puning (CN)

CN 304818316 S 9/2018

(**) Term: **15 Years**

OTHER PUBLICATIONS

(21) Appl. No.: **29/805,713**

Yaohong Modern Bathroom Vanity Light ASIN: B08FZTZ61Z. Available from amazon.com Aug. 17, 2020. (Year: 2020).*

(22) Filed: **Aug. 30, 2021**

Kichler 45134NI Four Light Bath Fixture ASIN: B00R5NZQ04. Available from amazon.com Dec. 18, 2014. (Year: 2014).*

(51) **LOC (13) Cl.** **26-03**

Mitzi—Clara Wall Light, Item No. MTZ579301. Available from lightology.com, visited Jul. 29, 2022. (Year: 2022).*

(52) **U.S. Cl.**

Minka Lavery Farmhouse Wall Light Fixture 5133-84, ASIN: B00JRY415K. Available from amazon.com Jul. 20, 2013. (Year: 2013).*

USPC **D26/87**; D26/80; D26/86

(58) **Field of Classification Search**

USPC D26/72, 80, 85, 86, 87, 92

CPC .. F21S 8/033; F21S 8/035; F21S 8/036; F21S 8/046

* cited by examiner

See application file for complete search history.

Primary Examiner — Clare E Heflin

(56) **References Cited**

(57) **CLAIM**

U.S. PATENT DOCUMENTS

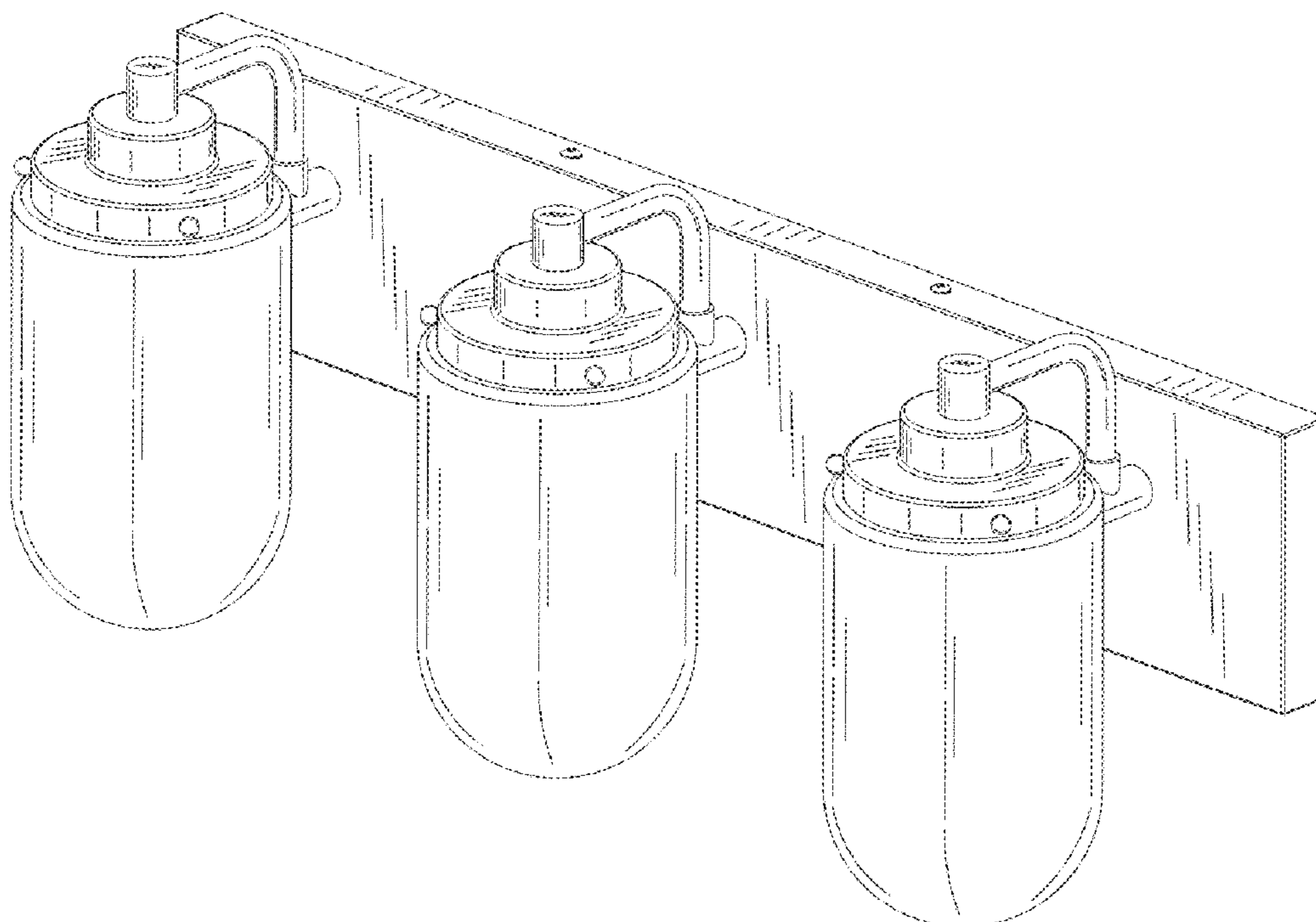
I claim the ornamental design for the LED light fixture, as shown and described.

D501,572 S *	2/2005	Lee	D26/80
D536,471 S *	2/2007	Matons	D26/92
D558,383 S *	12/2007	Bickler	D26/63
D575,437 S *	8/2008	Bickler	D26/86
D831,875 S *	10/2018	Sperling	D26/92
D880,049 S	3/2020	Guercio et al.		
D882,149 S *	4/2020	Lin	D26/86
D910,899 S *	2/2021	Zheng	D26/86
D912,294 S	3/2021	Arsenault et al.		
D913,565 S *	3/2021	Yu	D26/87
D916,352 S *	4/2021	Zeng	D26/86
D934,484 S *	10/2021	Ou	D26/80
D939,129 S *	12/2021	Mei	D26/86
2013/0077295 A1 *	3/2013	Hayashi	H01L 33/00 362/217.05

DESCRIPTION

FIG. 1 is a front right and top side perspective view of the led light fixture, showing my new design; FIG. 2 is a front elevational view thereof; FIG. 3 is a rear elevational view thereof; FIG. 4 is a left side elevational view thereof; FIG. 5 is a right side elevational view thereof; FIG. 6 is a top plan view thereof; and, FIG. 7 is a bottom plan view thereof.

1 Claim, 7 Drawing Sheets



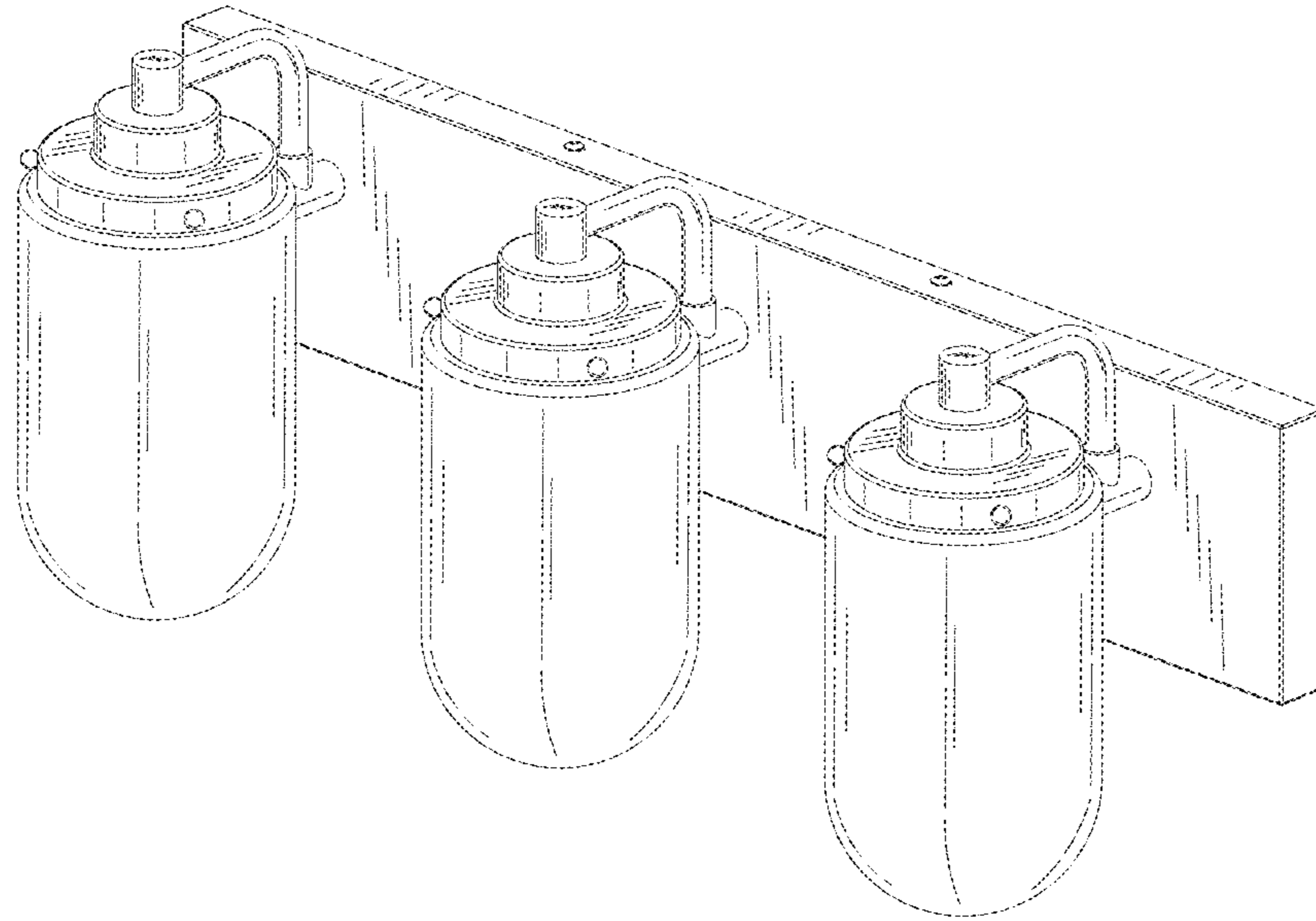


FIG.1

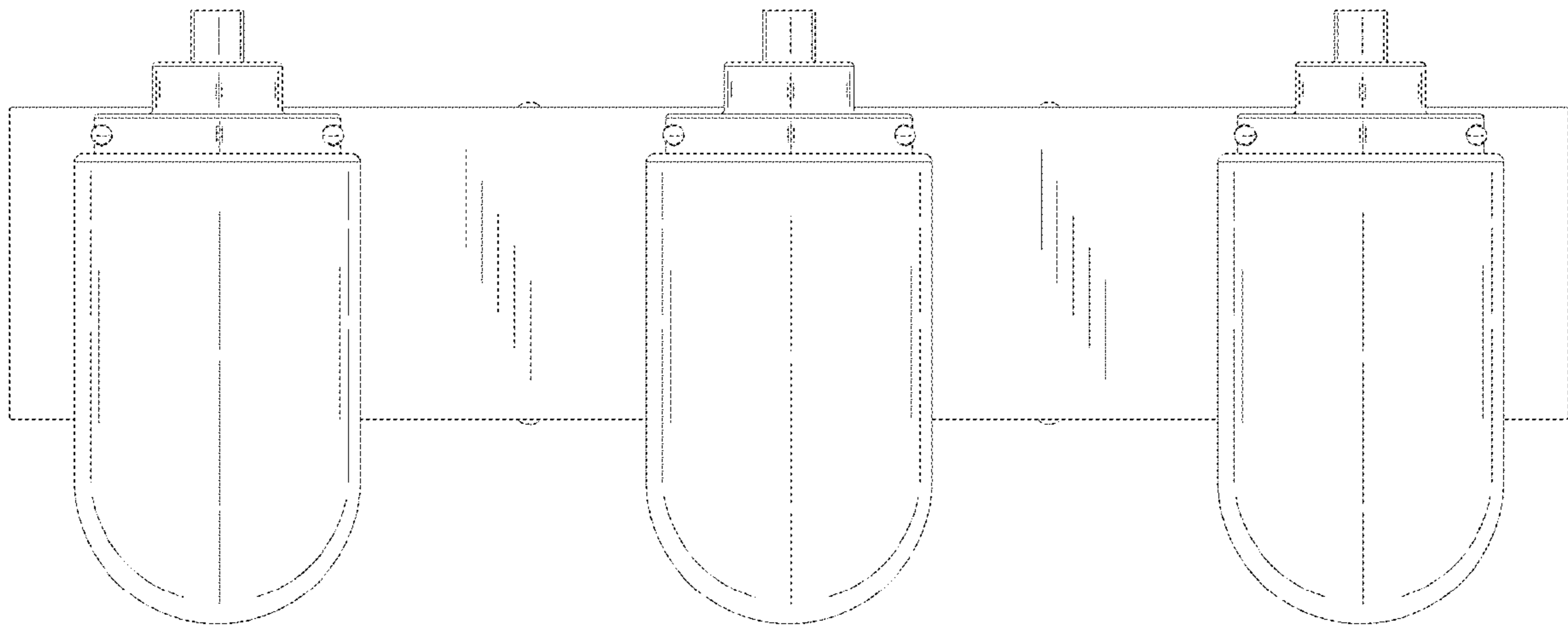


FIG.2

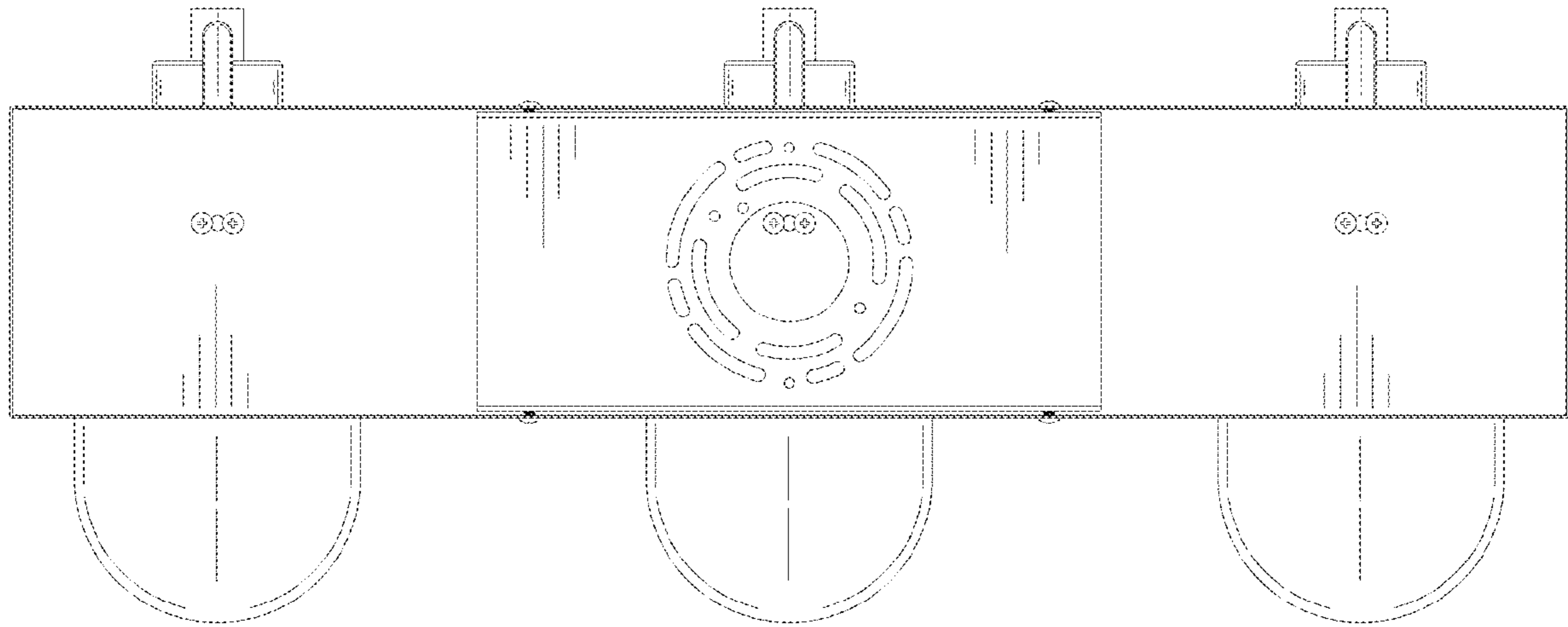


FIG.3

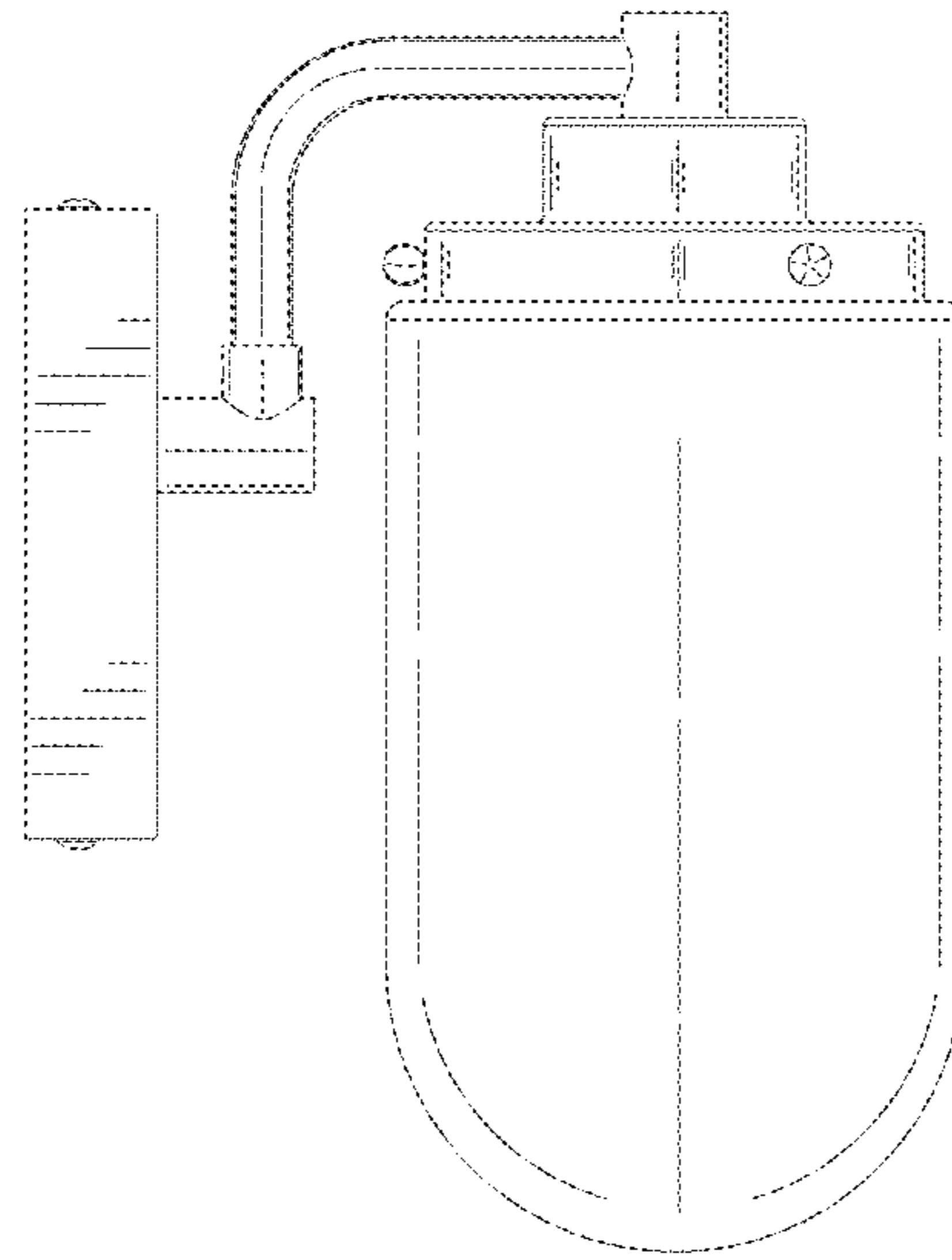


FIG.4

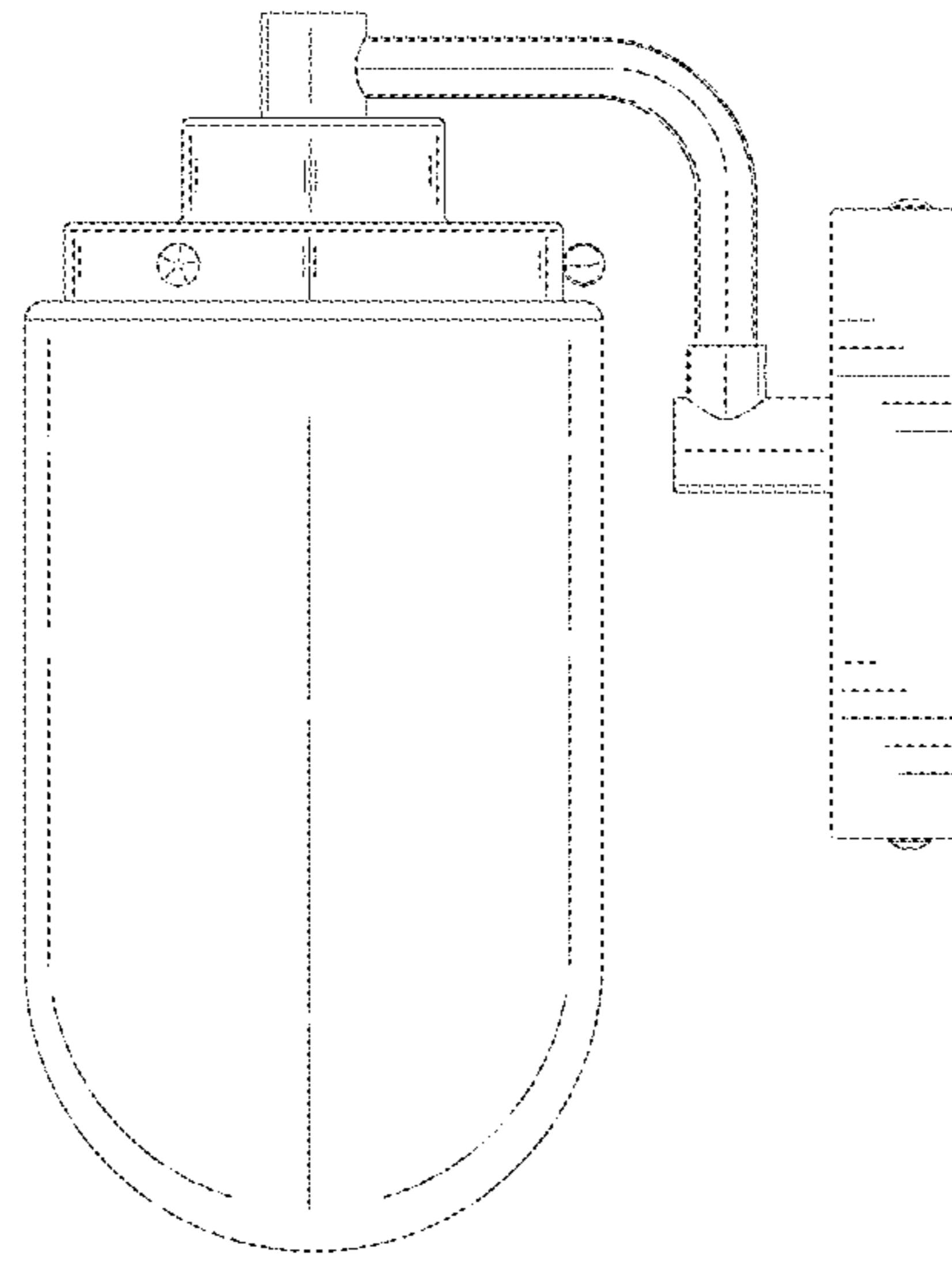


FIG. 5

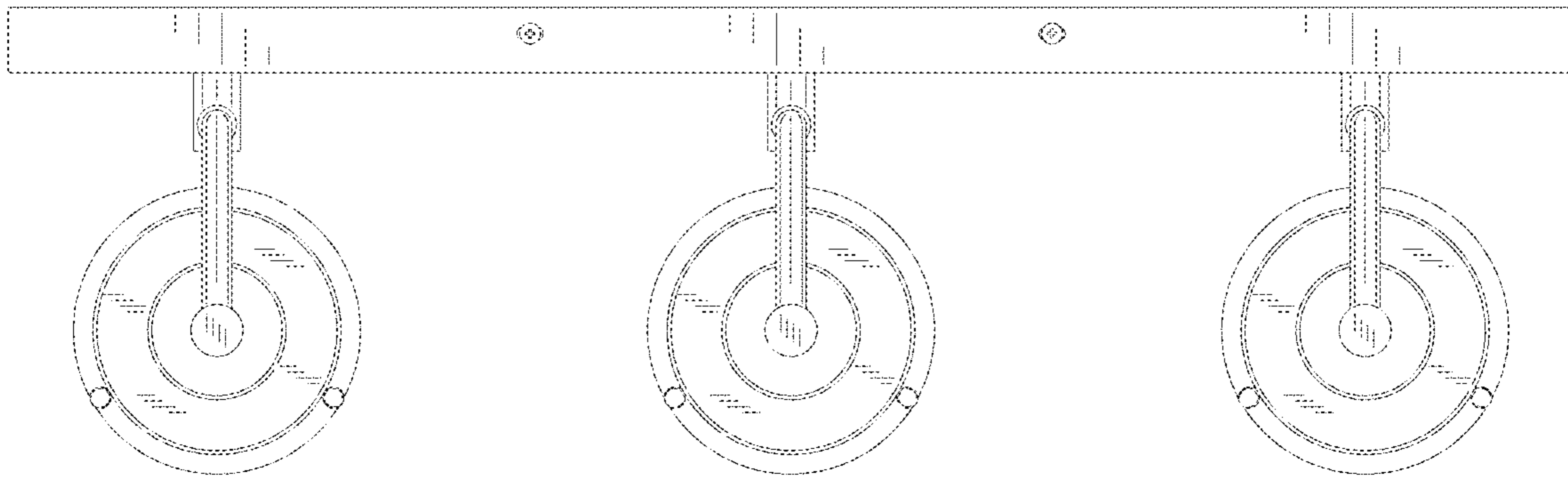


FIG. 6

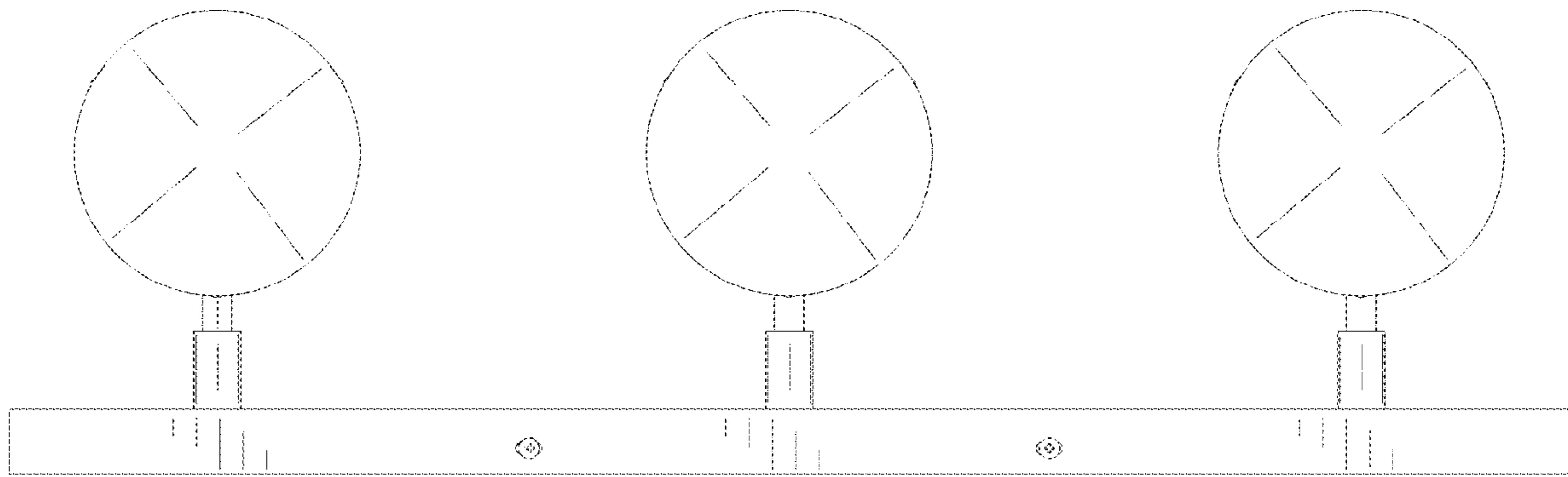


FIG. 7