

US00D968007S

(12) **United States Design Patent** (10) **Patent No.:** **US D968,007 S**
Hsu (45) **Date of Patent:** **** Oct. 25, 2022**

(54) **WALL LAMP**

(71) Applicant: **Dong Guan Bright Yinhuey Lighting Co., Ltd. China, Guang Dong (CN)**

(72) Inventor: **Kevin Hsu, Taichung (TW)**

(73) Assignee: **Dong Guan Bright Yinhuey Lighting Co., Ltd. China, Guang Dong (CN)**

(**) Term: **15 Years**

(21) Appl. No.: **29/724,572**

(22) Filed: **Feb. 18, 2020**

(51) **LOC (13) Cl.** **26-05**

(52) **U.S. Cl.**
USPC **D26/85; D26/40; D26/72**

(58) **Field of Classification Search**
USPC D26/9-10, 24, 37-52, 60-61, 63-64, 72, D26/81, 83, 88-90, 96, 113-114, D26/117-119, 129, 138

CPC F21Y 2115/10; F21Y 2101/00; F21Y 2113/13; F21Y 2113/00; F21Y 2113/20; F21Y 2103/10; F21Y 2105/10; F21Y 2107/30; F21Y 2113/10; F21L 4/08; F21L 4/00; F21L 19/00; F21L 4/02; F21L 2/00; F21L 4/027; F21L 4/04; F21L 26/00; F21L 4/005; F21L 13/00; F21L 14/00; F21L 15/08; F21L 19/003; F21L 19/006; F21L 27/00; F21L 4/025; F21L 4/045; F21L 4/06; F21W 2121/00; F21W 2111/10; F21W 2131/10; F21W 2131/109; F21W 2111/00; F21W 2111/04; F21W 2111/043; F21W 2111/047; F21W 2111/06; F21W 2121/004; F21W 2131/1005; F21W 2131/103; F21W 2131/40; F21V 23/0414; F21V 21/406; F21V 15/01; F21V 21/08; F21V 21/145; F21V 33/008; F21V 1/06; F21V 21/0885; F21V 33/0028; F21V 17/007; F21V 21/06; F21V 21/084; F21V 21/22; F21V 33/0056; F21V 35/00; F21V 3/00; F21V 7/04; F21V 7/041; F21V 17/002; F21V

21/0824; F21V 21/0832; F21V 23/04; F21V 23/0435; F21V 23/0464; F21V 3/023; F21V 5/006; F21V 5/04; F21V 9/30; F21V 14/00; F21V 17/107; F21V 17/16; F21V 21/088; F21V 21/0965; F21V 23/003; F21V 23/004; F21V 23/0428; F21V 23/0442; F21V 23/0471; F21V 23/06; F21V 29/83; F21V 29/89;
(Continued)

(56) **References Cited**

U.S. PATENT DOCUMENTS

D295,085 S * 4/1988 Culley D26/51
D359,815 S * 6/1995 Porter D26/85
(Continued)

Primary Examiner — Marissa J Cash
Assistant Examiner — William B Melliar
(74) *Attorney, Agent, or Firm* — Alan D. Kamrath; Karin L. Williams; Mayer & Williams PC

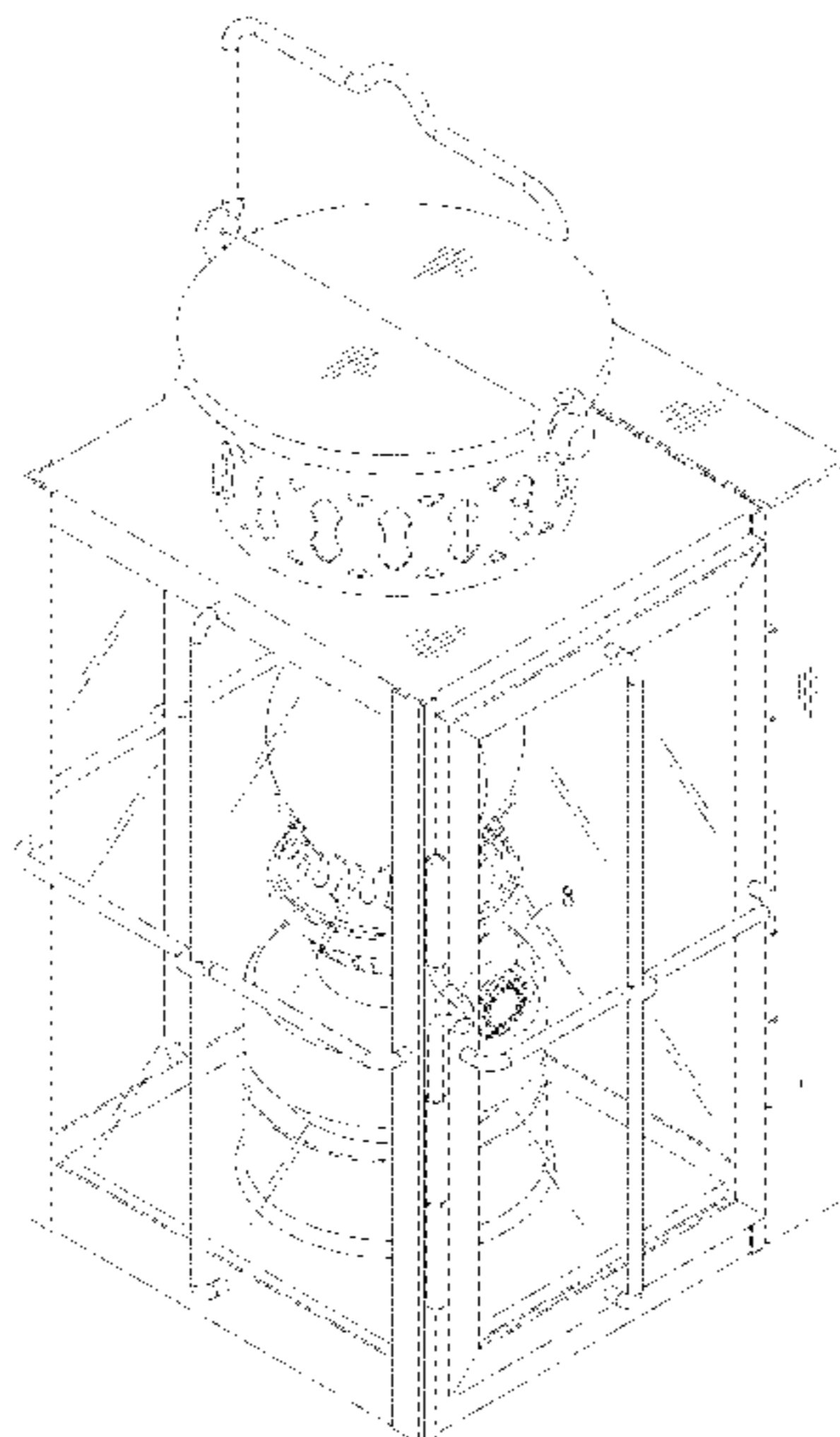
(57) **CLAIM**

The ornamental design for a wall lamp, as shown and described.

DESCRIPTION

FIG. 1 is a perspective view of a wall lamp showing my design.
FIG. 2 is a front elevational view thereof.
FIG. 3 is a rear elevational view thereof.
FIG. 4 is a left side elevational view thereof.
FIG. 5 is a right side elevational view thereof.
FIG. 6 is a top plan view thereof.
FIG. 7 is a bottom plan view thereof; and,
FIG. 8 is a locally enlarged view of FIG. 1.
The broken lines in the drawings depict portions of the wall lamp that form no part of the claimed design. The additional broken lines surrounding the detail views in FIGS. 1 and 8 are for annotative purposes only and form no part thereof.

1 Claim, 7 Drawing Sheets



(58) Field of Classification Search

CPC .. F21V 31/005; F21V 33/0076; F21V 7/0025;
 F21V 7/0075; F21V 11/00; F21V 11/08;
 F21V 11/10; F21V 11/14; F21V 13/02;
 F21V 13/04; F21V 13/045; F21V 13/12;
 F21V 14/025; F21V 14/045; F21V
 15/012; F21V 15/02; F21V 17/02; F21V
 17/06; F21V 17/101; F21V 17/105; F21V
 17/18; F21V 19/001; F21V 19/047; F21V
 19/06; F21V 1/02; F21V 1/14; F21V
 1/18; F21V 21/10; F21V 21/14; F21V
 21/30; F21V 21/40; F21V 23/002; F21V
 23/005; F21V 23/02; F21V 23/0421;
 F21V 23/0492; F21V 29/505; F21V
 29/51; F21V 29/70; F21V 29/717; F21V
 29/74; F21V 29/75; F21V 29/76; F21V
 29/763; F21V 31/04; F21V 33/00; F21V
 33/0024; F21V 36/00; F21V 37/00; F21V
 37/0004; F21V 37/0058; F21V 37/02;
 F21V 3/02; F21V 3/062; F21V 5/045;
 F21V 7/00; F21V 7/0008; F21V 7/0016;
 F21V 7/22; F21V 9/08; F21V 9/083

See application file for complete search history.

(56)

References Cited

U.S. PATENT DOCUMENTS

D445,209	S	*	7/2001	Chen	D26/72
D470,619	S	*	2/2003	Kuelbs	D26/113
D470,968	S	*	2/2003	Kuelbs	D26/118
D486,939	S	*	2/2004	Cuevas	D26/72
D505,216	S	*	5/2005	Chen	D26/40
D518,211	S	*	3/2006	Krieger	D26/40
D520,163	S	*	5/2006	Krieger	D26/40
D663,063	S	*	7/2012	Yang	D26/67
D693,955	S	*	11/2013	Yang	D26/85
D693,956	S	*	11/2013	Yang	D26/85
D694,940	S	*	12/2013	Dolan	D26/87
D766,490	S	*	9/2016	Moon	D26/87
D815,334	S	*	4/2018	Hu	D26/94
D839,463	S	*	1/2019	Fu	F21L 4/00 D26/51
D875,295	S	*	2/2020	Fu	D26/106
D892,383	S	*	8/2020	McDennon	D26/87
D899,645	S	*	10/2020	Wang	D26/40
10,823,395	B1	*	11/2020	Hsu	F21L 27/00
D950,832	S	*	5/2022	Wiedemer	D26/118

* cited by examiner

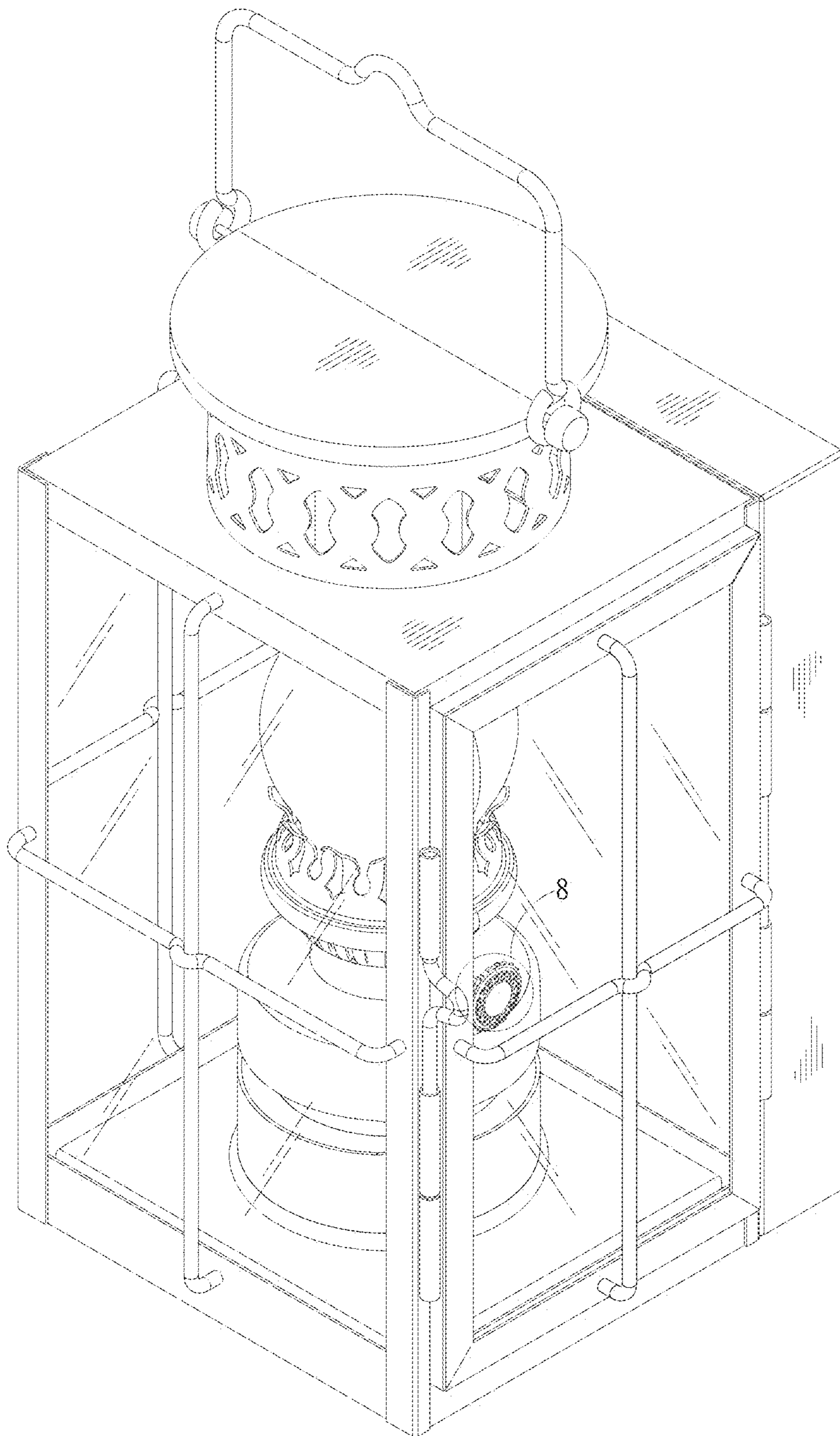


FIG. 1

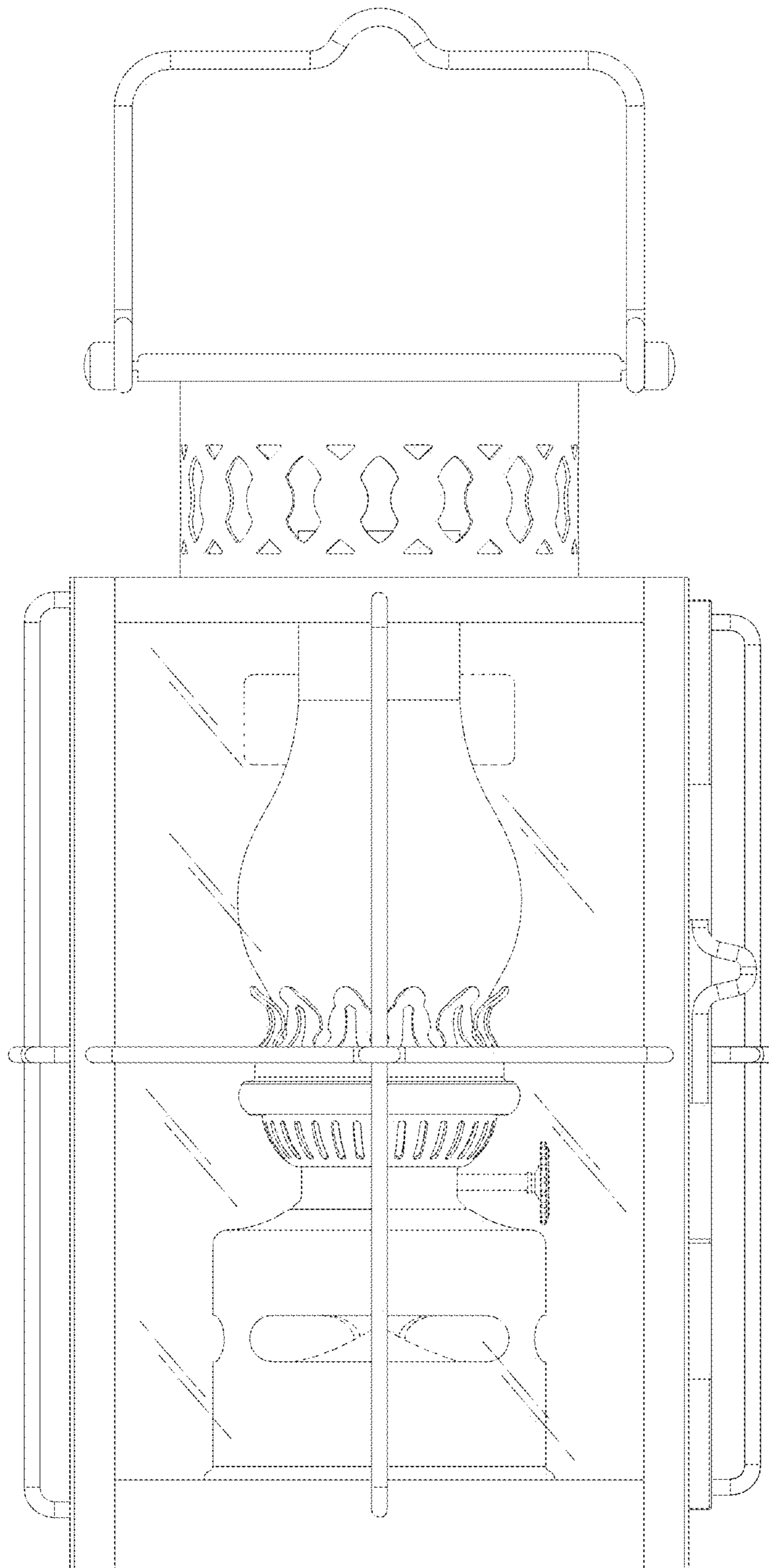


FIG. 2

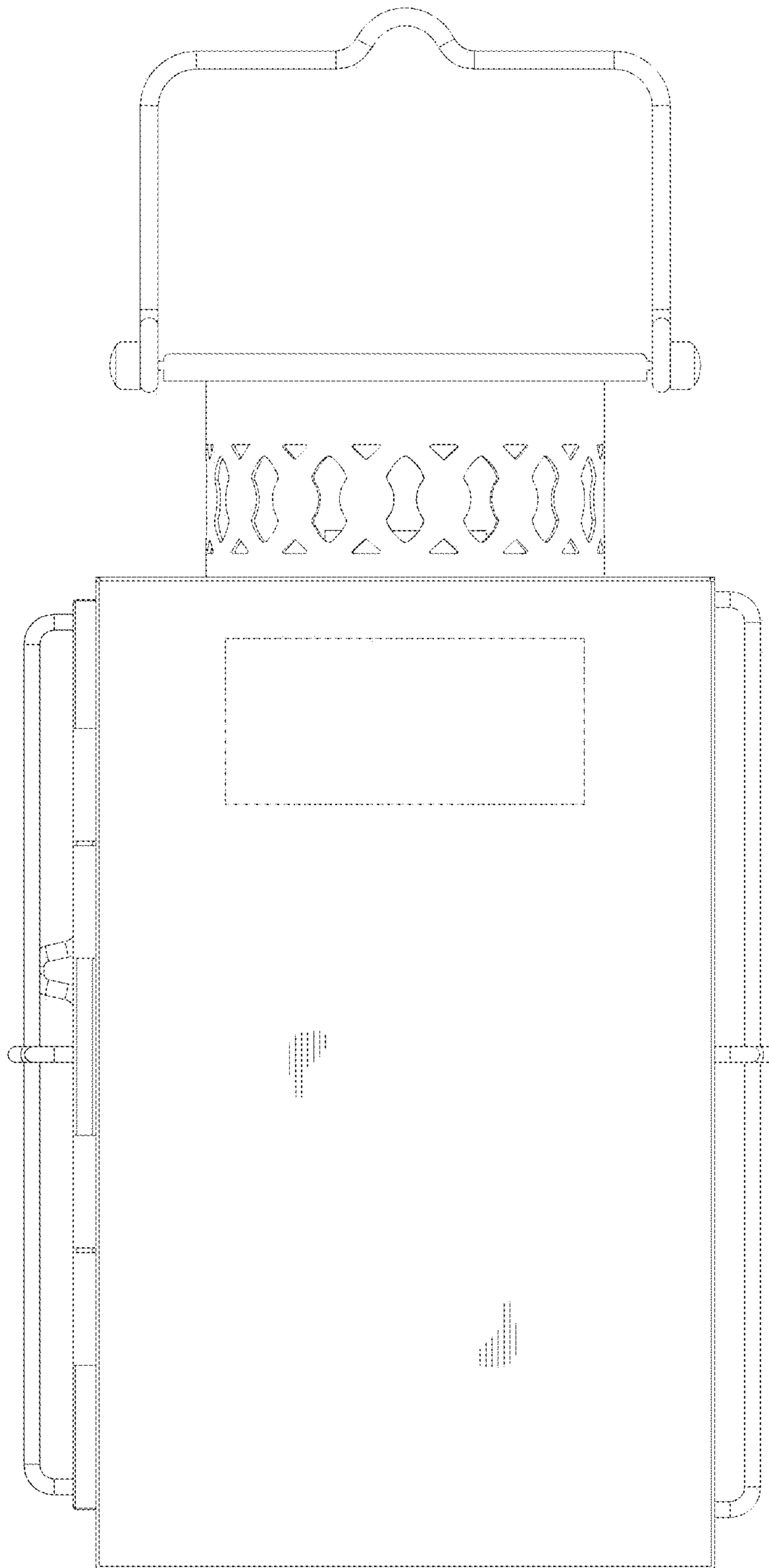


FIG. 3

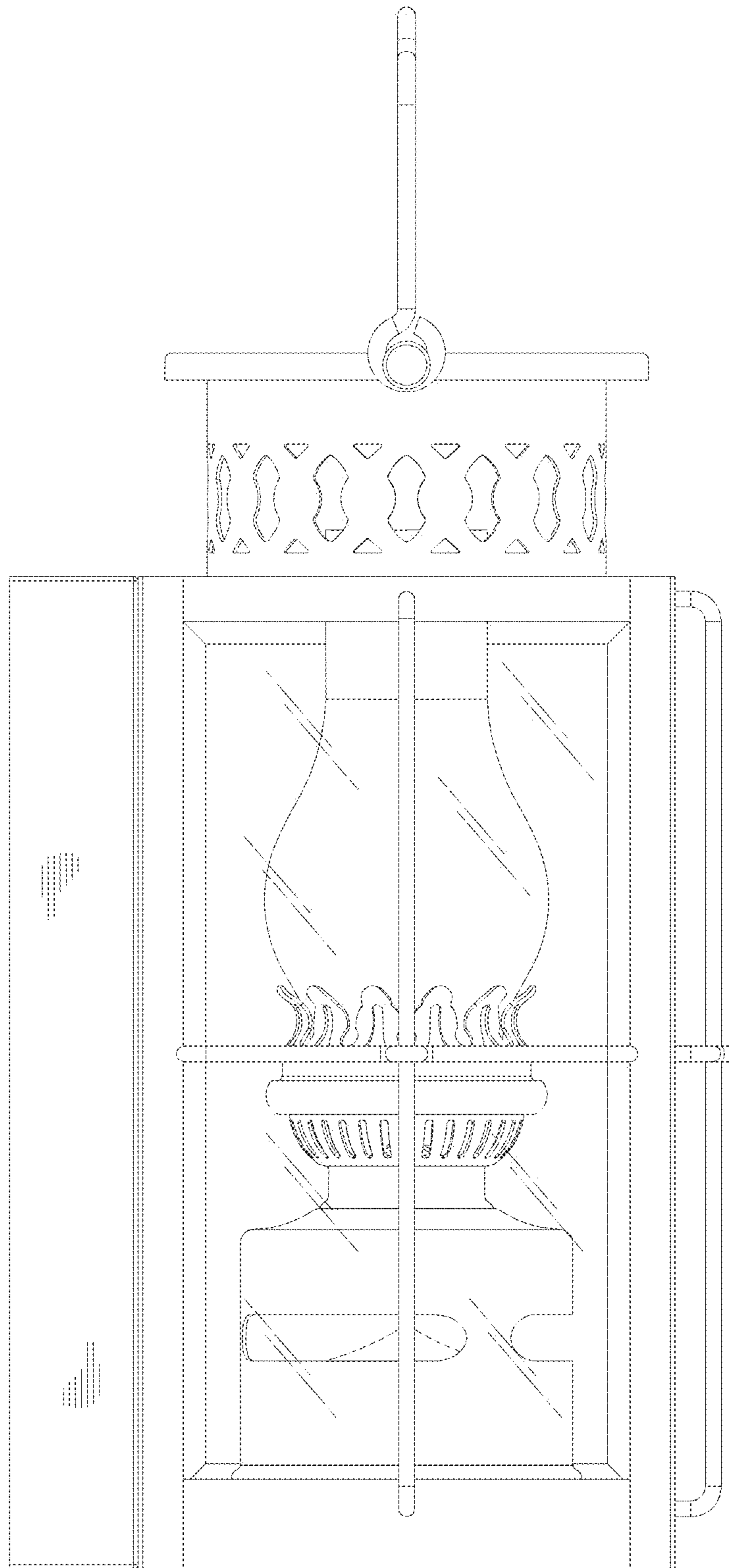


FIG. 4

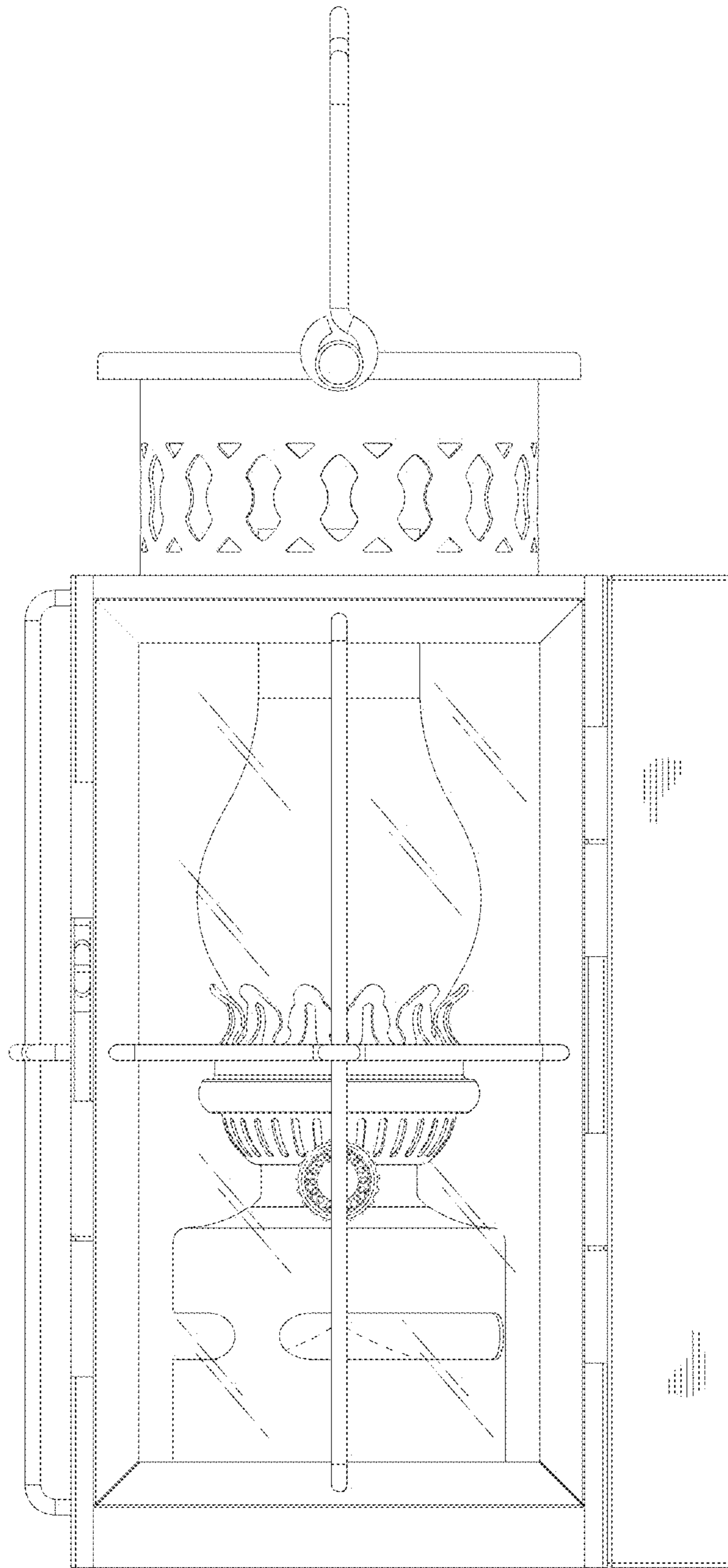


FIG. 5

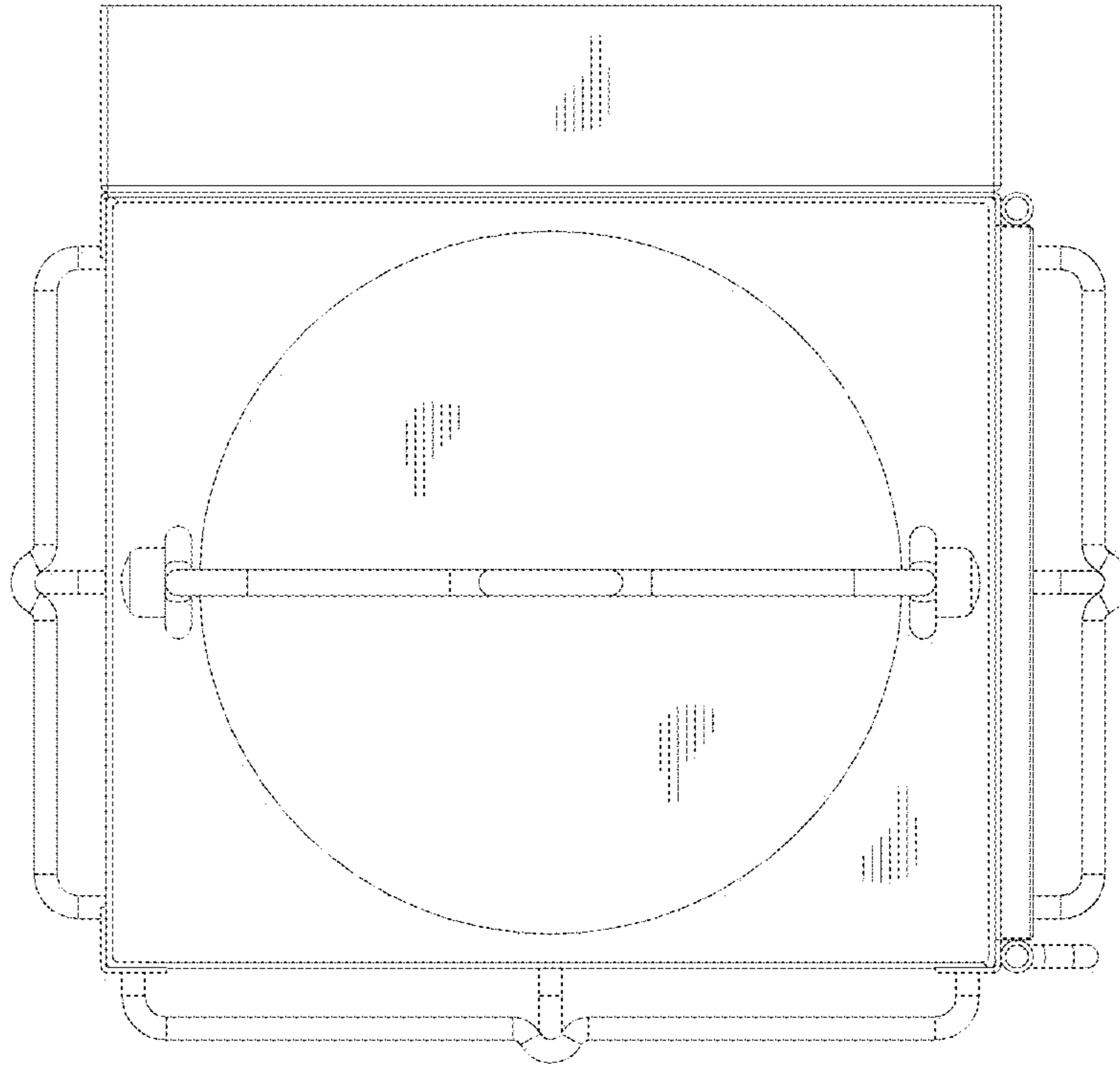


FIG. 6

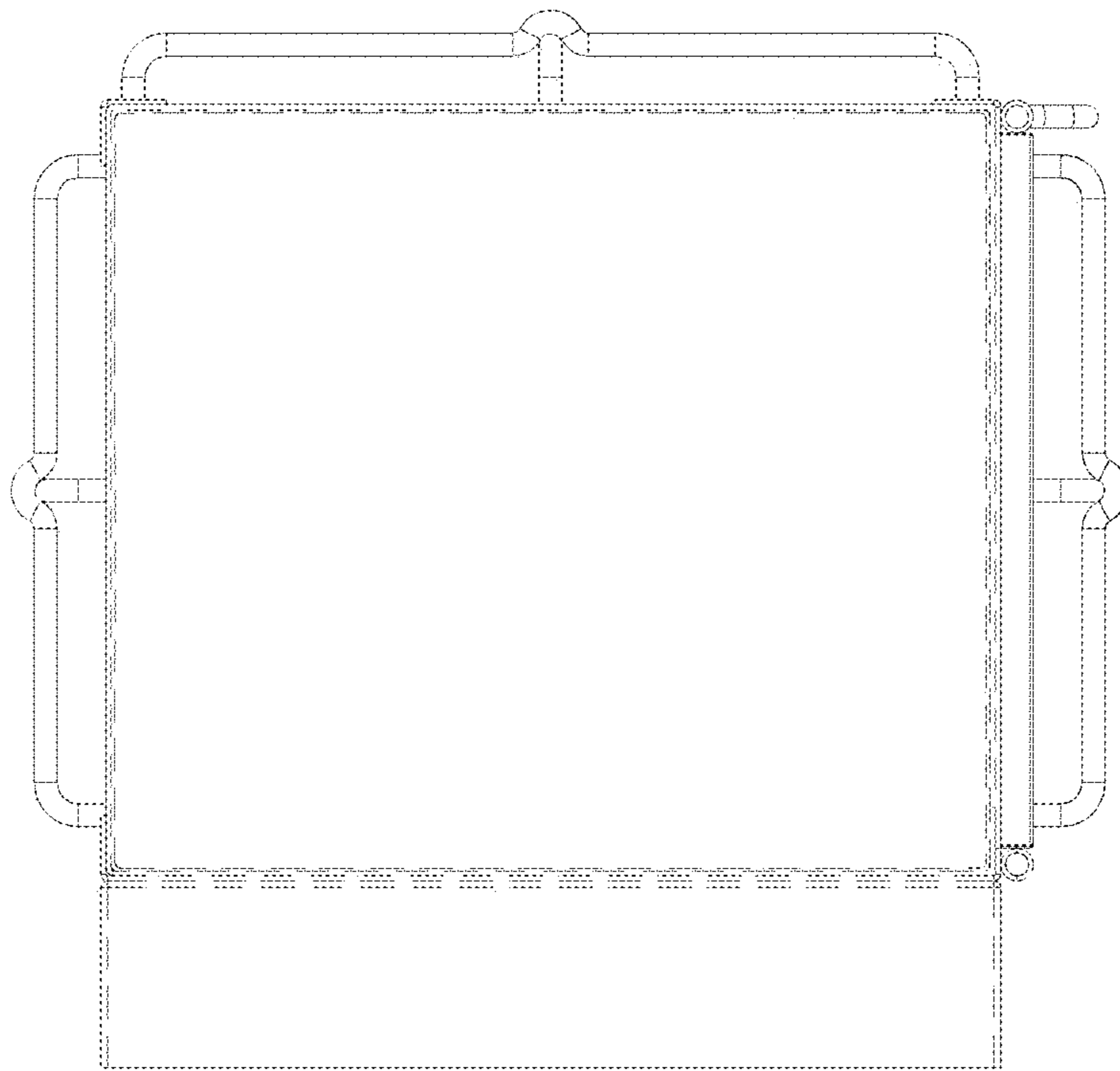


FIG. 7

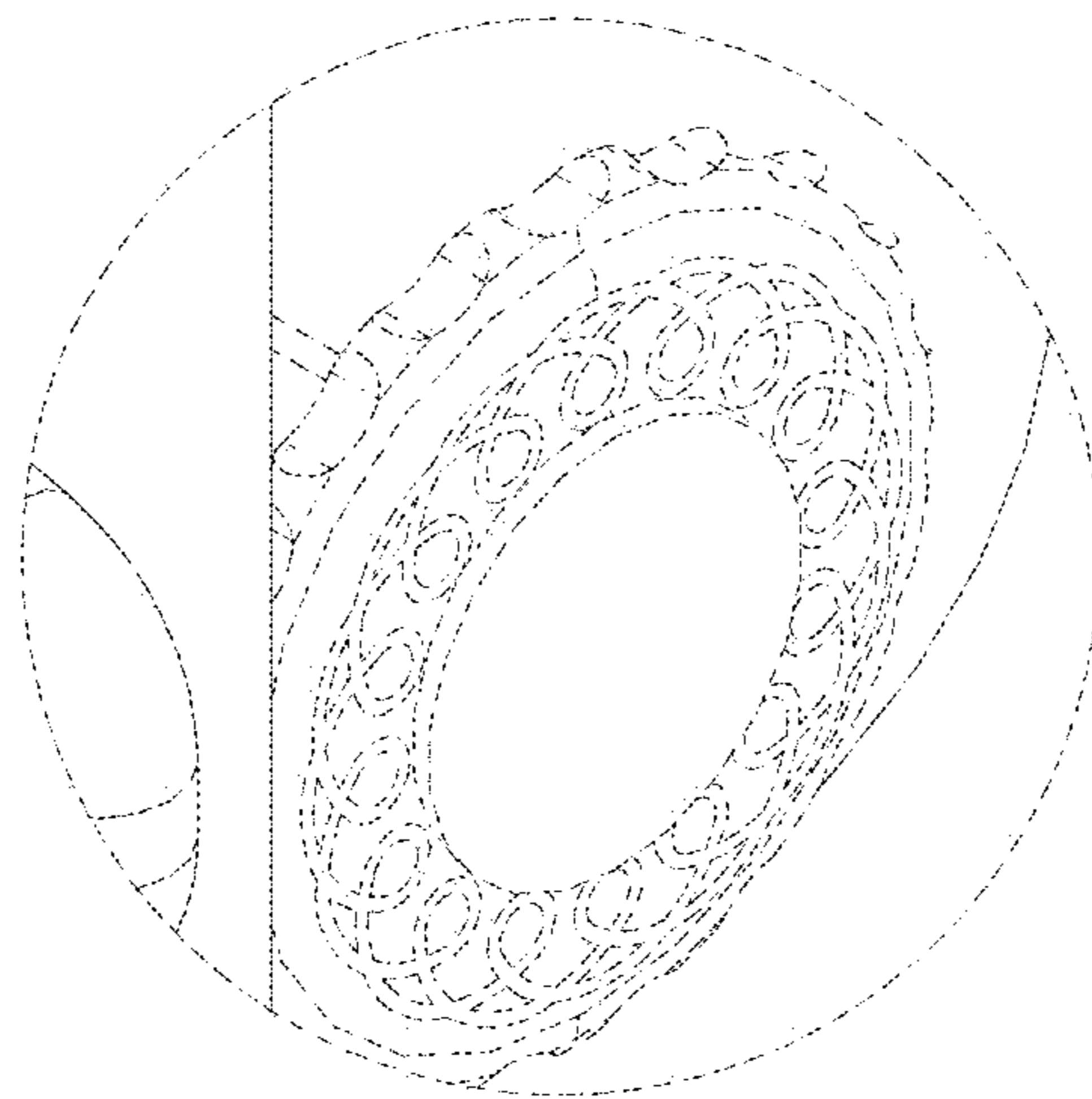


FIG. 8