



US00D968005S

(12) **United States Design Patent** (10) **Patent No.:** **US D968,005 S**
Orozco (45) **Date of Patent:** **** Oct. 25, 2022**

(54) **LIGHTING FIXTURE**

(71) Applicant: **Kichler Lighting LLC**, Cleveland, OH (US)

(72) Inventor: **Sergio Orozco**, New York, NY (US)

(73) Assignee: **Kichler Lighting LLC**, Cleveland, OH (US)

(**) Term: **15 Years**

(21) Appl. No.: **29/689,731**

(22) Filed: **May 1, 2019**

(51) **LOC (13) Cl.** **26-03**

(52) **U.S. Cl.**
USPC **D26/81**

(58) **Field of Classification Search**

USPC D26/72, 80-91, 144
CPC F21S 8/03; F21S 8/04; F21S 8/043; F21S 8/06; F21S 8/061; F21S 8/063; F21S 8/065

See application file for complete search history.

(56) **References Cited**

U.S. PATENT DOCUMENTS

D418,242 S *	12/1999	Diaz-Azcuy	D26/84
D470,967 S *	2/2003	Rose	D26/81
D520,668 S *	5/2006	Brunner	D26/81
D539,960 S *	4/2007	Hsu	D26/81
D563,023 S *	2/2008	Hetfield	D26/72
D620,183 S *	7/2010	Sabernig	D26/88
D786,479 S *	5/2017	Dolan	D26/81
D793,605 S *	8/2017	Cartwright	D26/81
D806,305 S *	12/2017	Amato	D26/81
D865,263 S *	10/2019	Amato	D26/81
D866,840 S *	11/2019	Chen	D26/81
D891,671 S *	7/2020	Amato	D26/82
D916,352 S *	4/2021	Zeng	D26/86

OTHER PUBLICATIONS

Sea Gull Lighting Driscoll 5-Light Satin Brass Mid-Century Modern Hanging Single Tier Chandelier, available from homedepot.com as early as Mar. 1, 2017. (Year: 2017).*

Globe Electric Ronnie 4-Lights Brass Chandelier with White Fabric Shades, available from homedepot.com as early as Aug. 14, 2021. (Year: 2021).*

Westinghouse Courtfield 5-Light Distressed Aluminum Chandelier with White Opal Glass Shades, available from homedepot.com as early as Aug. 21, 2018. (Year: 2018).*

* cited by examiner

Primary Examiner — Clare E Heflin

(74) *Attorney, Agent, or Firm* — Brooks Kushman P.C.

(57) **CLAIM**

The ornamental design for the lighting fixture, as shown and described.

DESCRIPTION

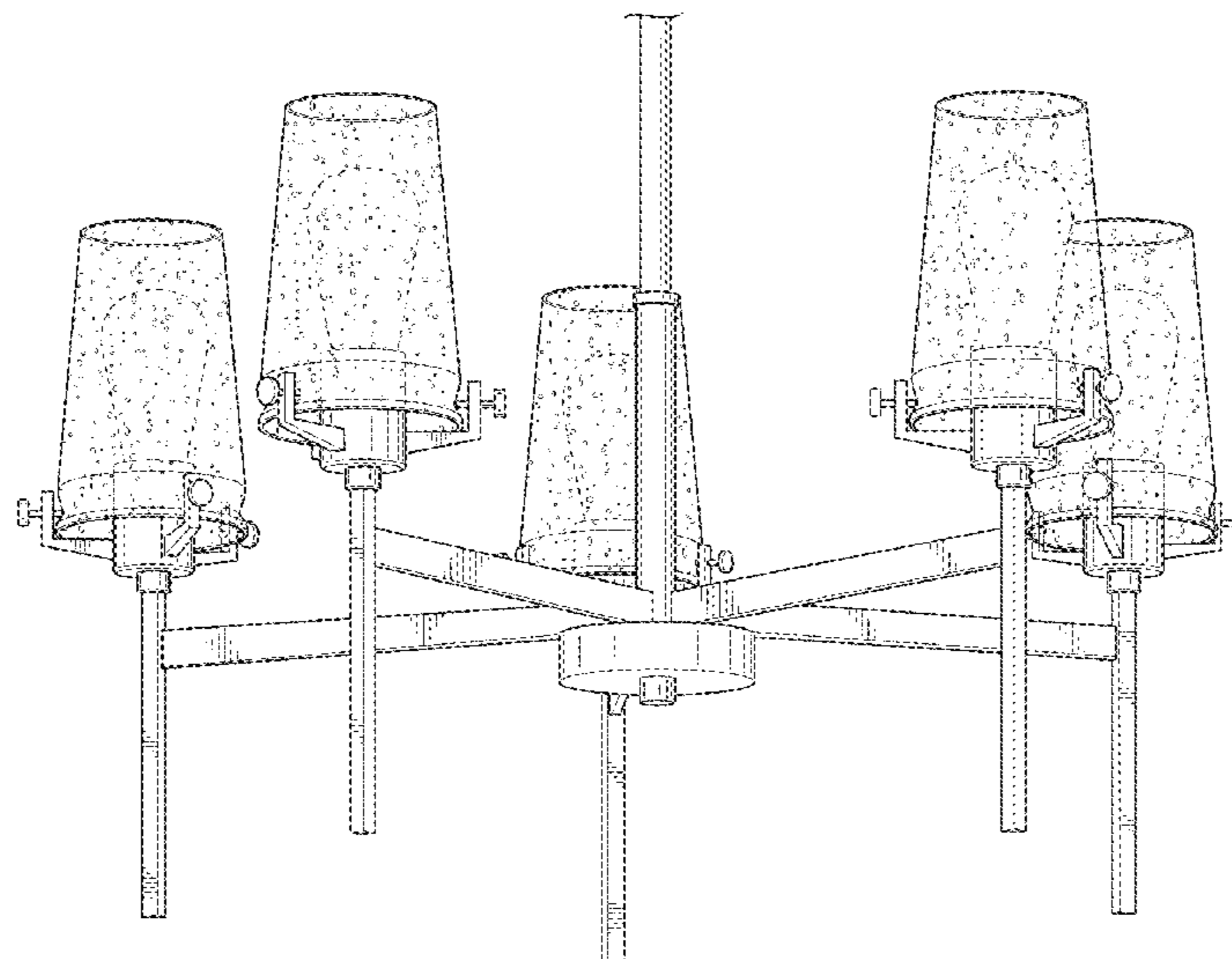
FIG. 1 is a perspective view of a lighting fixture showing the new design. This fixture has five-way, seventy-two-degree rotational symmetry. The hanging support bar, the vertical stems, the candles, and the shades each have a circular horizontal cross-section and three-hundred-and-sixty degree overall rotational symmetry. Each of the five vertical lighting elements also has three-way, one-hundred-and-twenty-degree rotational symmetry.

FIG. 2 is a bottom plan view of the lighting fixture of FIG. 1; and,

FIG. 3 is a fragmentary side elevation view showing a portion of the hanging support bar, one arm and one vertical lighting element.

The dashed lines on the drawings depict portions of the lighting fixture that form no part of the claimed design. The dot-dash lines in FIG. 3 represent the location on the fixture where the fragmentary view is cut. The internal structure of the central hanging support bar as shown as a section view in FIG. 3 forms no part of the claimed design.

1 Claim, 3 Drawing Sheets



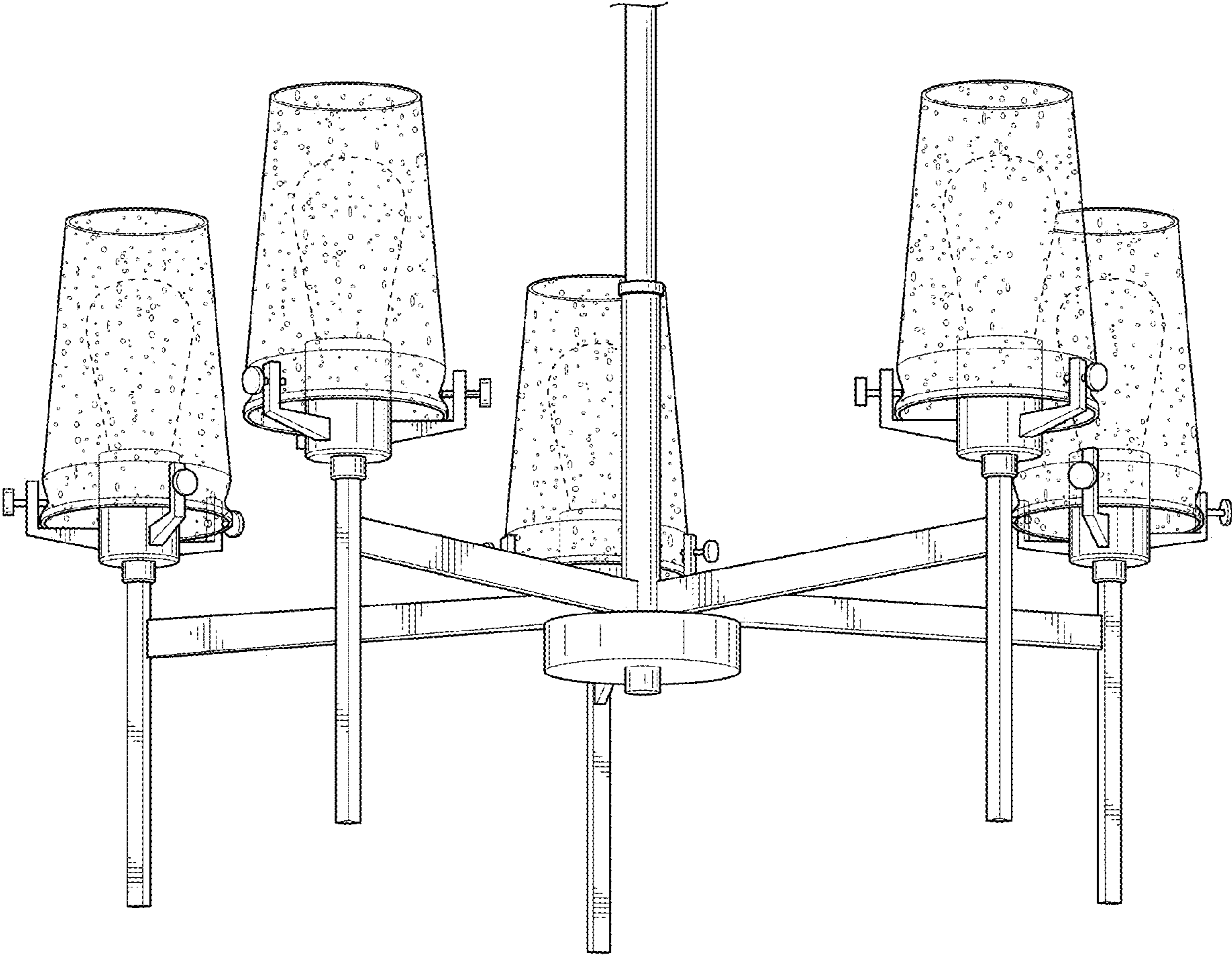


FIG. 1

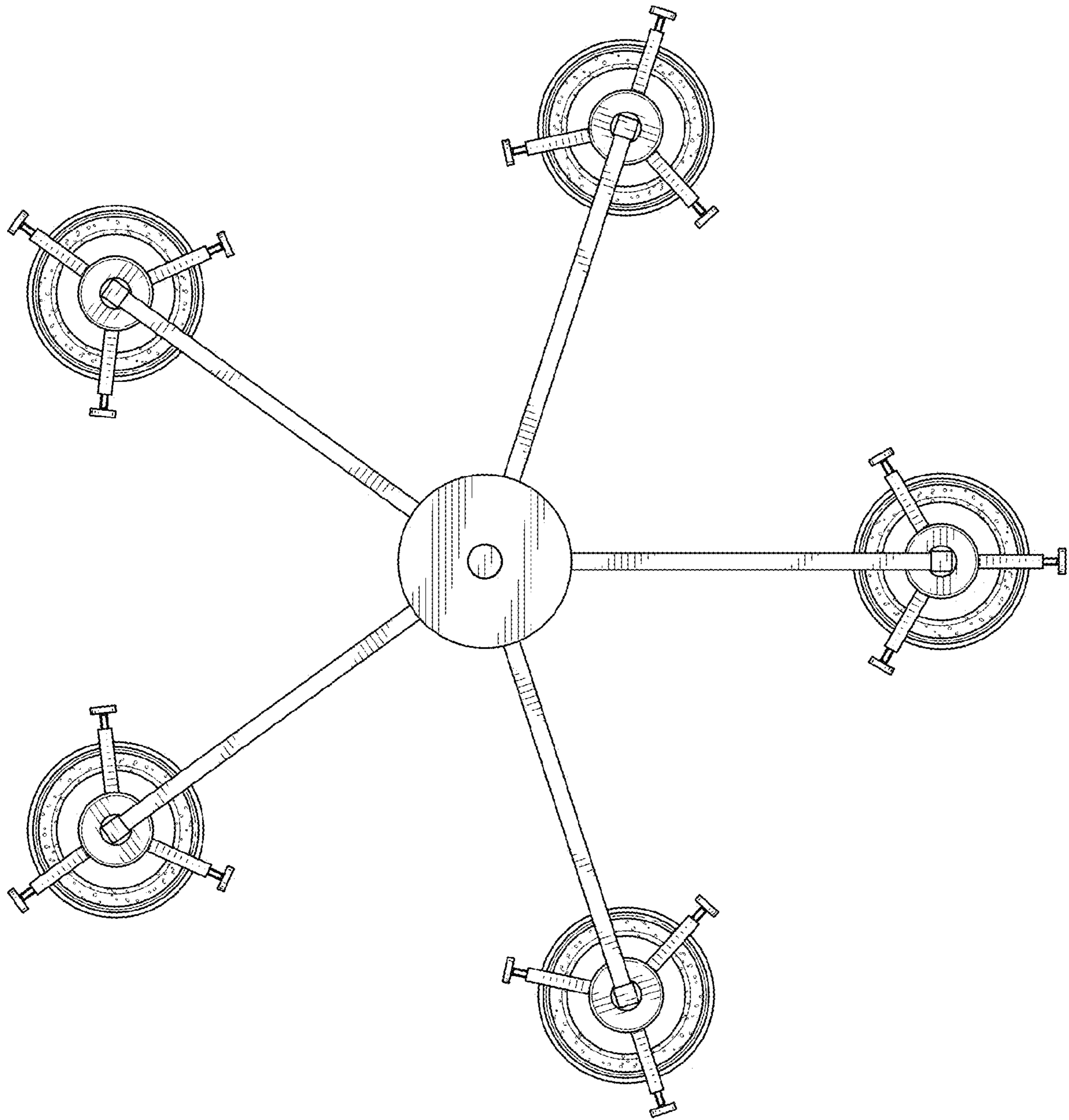


FIG. 2

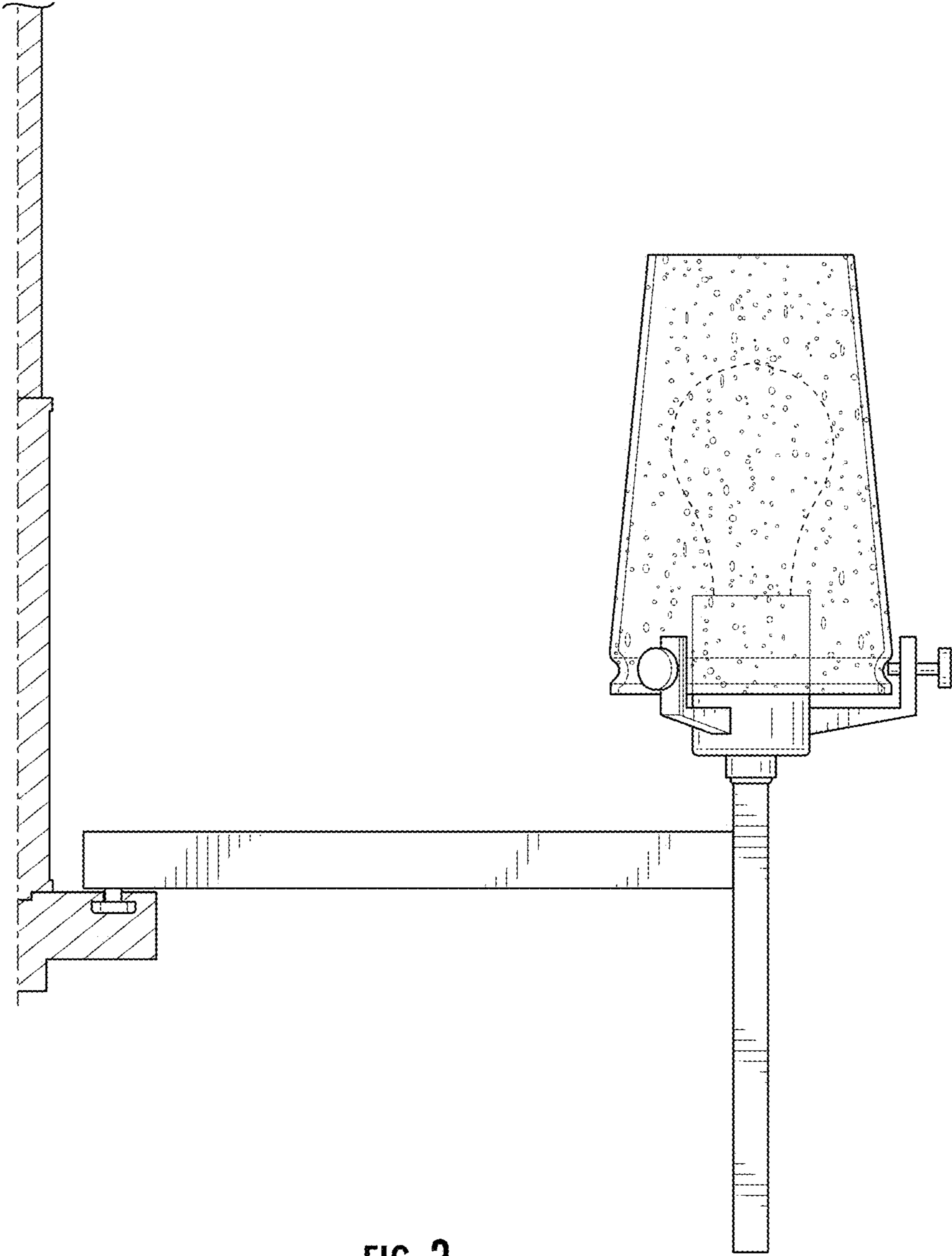


FIG. 3