



US00D968004S

(12) **United States Design Patent** (10) **Patent No.:** **US D968,004 S**  
**Orozco** (45) **Date of Patent:** **\*\* Oct. 25, 2022**

(54) **LIGHTING FIXTURE**

(71) Applicant: **Kichler Lighting LLC**, Cleveland, OH (US)

(72) Inventor: **Sergio Orozco**, New York, NY (US)

(73) Assignee: **Kichler Lighting LLC**, Cleveland, OH (US)

(\*\*) Term: **15 Years**

(21) Appl. No.: **29/685,233**

(22) Filed: **Mar. 27, 2019**

**Related U.S. Application Data**

(60) Continuation of application No. 29/591,889, filed on Jan. 25, 2017, now Pat. No. Des. 851,317, which is a (Continued)

(51) **LOC (13) Cl.** ..... **26-03**

(52) **U.S. Cl.**  
USPC ..... **D26/81; D26/86**

(58) **Field of Classification Search**  
USPC ..... D26/72, 80, 81, 84, 86, 88, 89, 90, 91 (Continued)

(56) **References Cited**

**U.S. PATENT DOCUMENTS**

D63,525 S \* 12/1923 Warman ..... D26/84  
D79,412 S \* 9/1929 Aglow ..... D26/81 (Continued)

**OTHER PUBLICATIONS**

Allegri Lighting Florida—Six Light Chandelier Model No. 012171-045-FR001, ASIN: B07CQNRKK9 available from amazon.com Aug. 26, 2018. (Year: 2018).\* (Continued)

*Primary Examiner* — Clare E Heflin

(74) *Attorney, Agent, or Firm* — Brooks Kushman P.C.

(57) **CLAIM**

The ornamental design for the lighting fixture, as shown and described.

**DESCRIPTION**

FIG. 1 is a perspective view of a lighting fixture showing the new design. Excluding the crystal center column, and crystal

lamp pedestals, this fixture has five-way, seventy-two degree overall rotational symmetry. The center column and the lamp pedestals each have eight-way, forty-five degree overall rotational symmetry. The lamp bases, shades, canopy and center piece each have a circular horizontal cross-section. FIG. 2 is a fragmentary, cross-sectional, side elevation view of the lighting fixture of FIG. 1 showing a portion of the center column and one arm, lamp base, and shade.

FIG. 3 is a top view of the lighting fixture of FIG. 1.

FIG. 4 is a perspective view of a lighting fixture showing the new design. Excluding the crystal center column, and crystal lamp pedestals, this fixture has five-way, seventy-two degree overall rotational symmetry. The center column and the lamp pedestals each have eight-way, forty-five degree overall rotational symmetry. The lamp bases, shades, canopy and center piece each have a circular horizontal cross-section.

FIG. 5 is a fragmentary, cross-sectional, side elevation view of the lighting fixture of FIG. 4 showing a portion of the center column and one arm, lamp base, and shade.

FIG. 6 is a top view of the lighting fixture of FIG. 4.

FIG. 7 is a perspective view of a lighting fixture showing the new design. Excluding the crystal center columns, and crystal lamp pedestals, this fixture has three-way, one hundred twenty degree overall rotational symmetry, and the lower arms have six-way, sixty degree overall rotational symmetry. The center columns and the lamp pedestals each have eight-way, forty-five degree overall rotational symmetry. The lamp bases, shades, canopy and center pieces each have a circular horizontal cross-section.

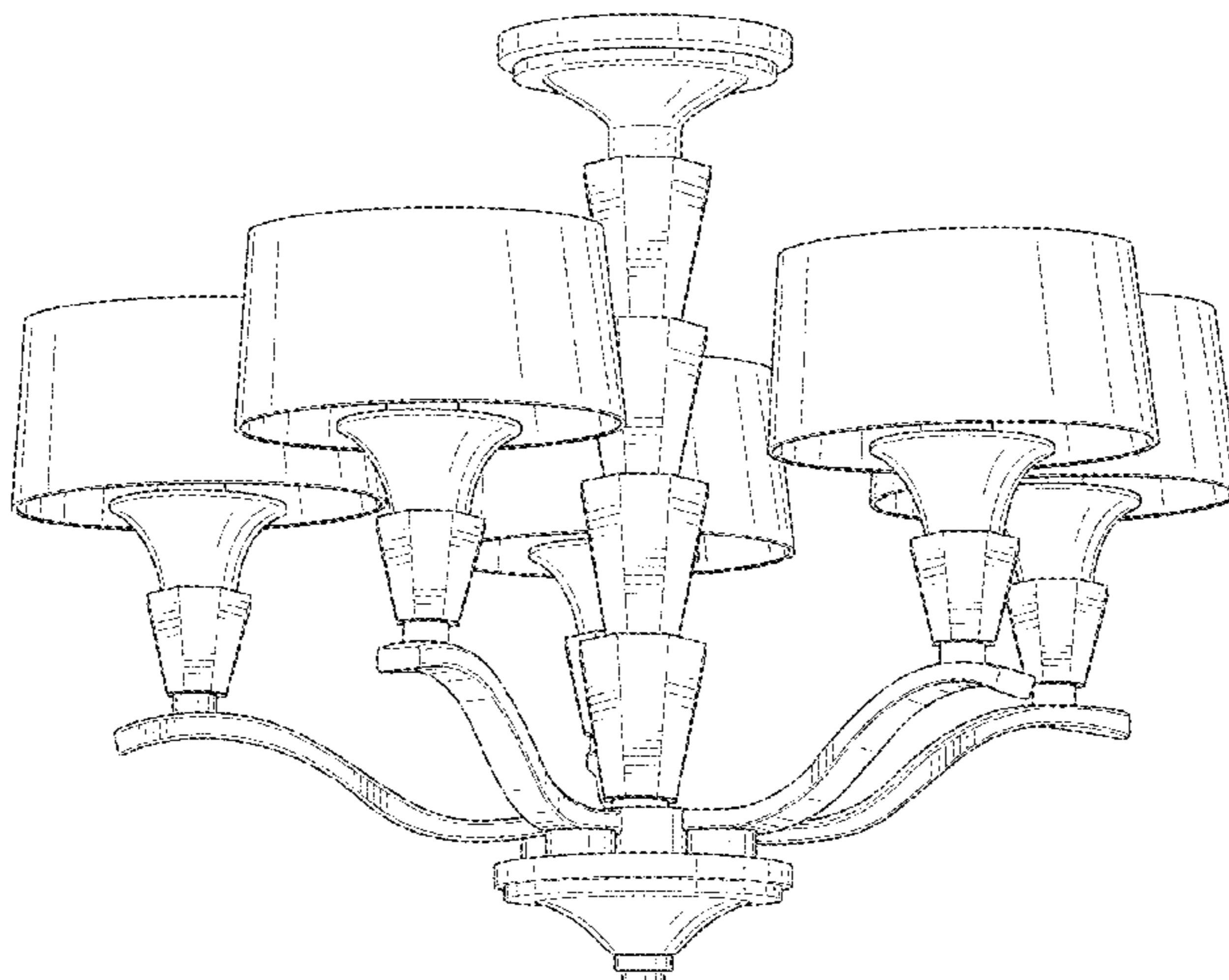
FIG. 8 is a fragmentary, cross-sectional, side elevation view of the lighting fixture of FIG. 7 showing a portion of the center column and one lower arm and associated lamp base and shade.

FIG. 9 is a fragmentary, cross-sectional, side elevation view of the lighting fixture of FIG. 7 showing a portion of the center column and one upper arm and associated lamp base and shade; and,

FIG. 10 is a top view of the lighting fixture of FIG. 7.

The dashed lines on the drawings depict portions of the lighting fixture that form no part of the claimed design. The dot-dash lines in FIGS. 2, 5, 8, and 9 represent the locations on the fixtures where the fragmentary views are cut.

**1 Claim, 10 Drawing Sheets**



**Related U.S. Application Data**

continuation of application No. 29/502,147, filed on Sep. 12, 2014, now Pat. No. Des. 779,696, which is a continuation of application No. 29/421,885, filed on Oct. 11, 2012, now Pat. No. Des. 715,474, which is a continuation-in-part of application No. 29/374,530, filed on Aug. 29, 2011, now Pat. No. Des. 671,669, which is a continuation-in-part of application No. 29/370,099, filed on Jun. 4, 2010, now Pat. No. Des. 644,371, which is a continuation-in-part of application No. 29/308,457, filed on Jun. 18, 2008, now abandoned, which is a continuation-in-part of application No. 29/307,520, filed on Apr. 24, 2008, now abandoned, which is a division of application No. 29/291,719, filed on Sep. 12, 2007, now Pat. No. Des. 570,523, which is a division of application No. 29/234,767, filed on Jul. 22, 2005, now Pat. No. Des. 564,123, which is a continuation of application No. 29/153,392, filed on Jan. 7, 2002, now Pat. No. Des. 511,019, said application No. 29/308,457 is a continuation-in-part of application No. 29/291,738, filed on Sep. 12, 2007, now Pat. No. Des. 578,244, which is a division of application No. 29/265,173, filed on Aug. 24, 2006, now Pat. No. Des. 560,841, which is a division of application No. 29/185,163, filed on Jun. 24, 2003, now Pat. No. Des. 530,845, said application No. 29/308,457 is a continuation-in-part of application No. 29/292,839, filed on Oct. 30, 2007, now Pat. No. Des. 575,446, which is a division of application No. 29/283,466, filed on Aug. 15, 2007, now Pat. No. Des. 585,591, which is a continuation of application No. 29/221,429, filed on Jan. 14, 2005, now Pat. No. Des. 550,886, said application No. 29/308,457 is a continuation-in-part of application No. 29/292,268, filed on Oct. 4, 2007, now Pat. No. Des. 580,084, which is a division of application No. 29/221,430, filed on Jan. 14, 2005, now Pat. No. Des. 561,375, which is a continuation-in-part of application No. 29/276,225, filed on Jan. 19, 2007, now Pat. No. Des. 573,293, which is a continuation of application No. 29/257,608, filed on Apr. 6, 2006, now Pat. No. Des. 561,371, said application No. 29/308,457 is a continuation-in-part of application No. 29/261,674, filed on Jun. 16, 2006, now abandoned, and a continuation-

in-part of application No. 29/268,178, filed on Oct. 31, 2006, now Pat. No. Des. 578,238, and a continuation-in-part of application No. 29/291,411, filed on Aug. 27, 2007, now Pat. No. Des. 583,089, and a continuation-in-part of application No. 29/293,627, filed on Dec. 4, 2007, now Pat. No. Des. 580,088, and a continuation-in-part of application No. 29/294,158, filed on Dec. 21, 2007, now abandoned, said application No. 29/421,885 is a continuation-in-part of application No. 29/451,150, filed on May 31, 2012, now Pat. No. Des. 713,090, and a continuation-in-part of application No. 29/395,346, filed on Jan. 5, 2012, now Pat. No. Des. 694,950, and a continuation-in-part of application No. 29/372,835, filed on Jan. 19, 2011, now Pat. No. Des. 670,423.

(58) **Field of Classification Search**

CPC ..... F21S 8/03; F21S 8/04; F21S 8/043; F21S 8/046; F21S 8/06; F21S 8/061; F21S 8/063; F21S 8/065

See application file for complete search history.

(56) **References Cited**

U.S. PATENT DOCUMENTS

D348,321	S	*	6/1994	Segill	.....	D26/81
D348,322	S	*	6/1994	Segill	.....	D26/81
D368,545	S	*	4/1996	Hsu	.....	D26/81
D518,225	S	*	3/2006	Yando	.....	D26/142
D602,190	S	*	10/2009	Sperling	.....	D26/81
D629,143	S	*	12/2010	Sperling	.....	D26/88
D629,145	S	*	12/2010	Sperling	.....	D26/88
D844,882	S	*	4/2019	Schuyler	.....	D26/81
2008/0170390	A1	*	7/2008	McDowell	.....	F21V 5/06 362/225

OTHER PUBLICATIONS

Kichler Crystal Persuasion Chandelier 9-Light, Model No. 42031CH, ASIN: B003XM7SR0 available from amazon.com Jul. 22, 2010. (Year: 2010).\*

Lite Source LS-19315 Saveria 5-Lite Chandelier ASIN: B00OX60TH6 available from amazon.com Oct. 26, 2014. (Year: 2014).\*

\* cited by examiner

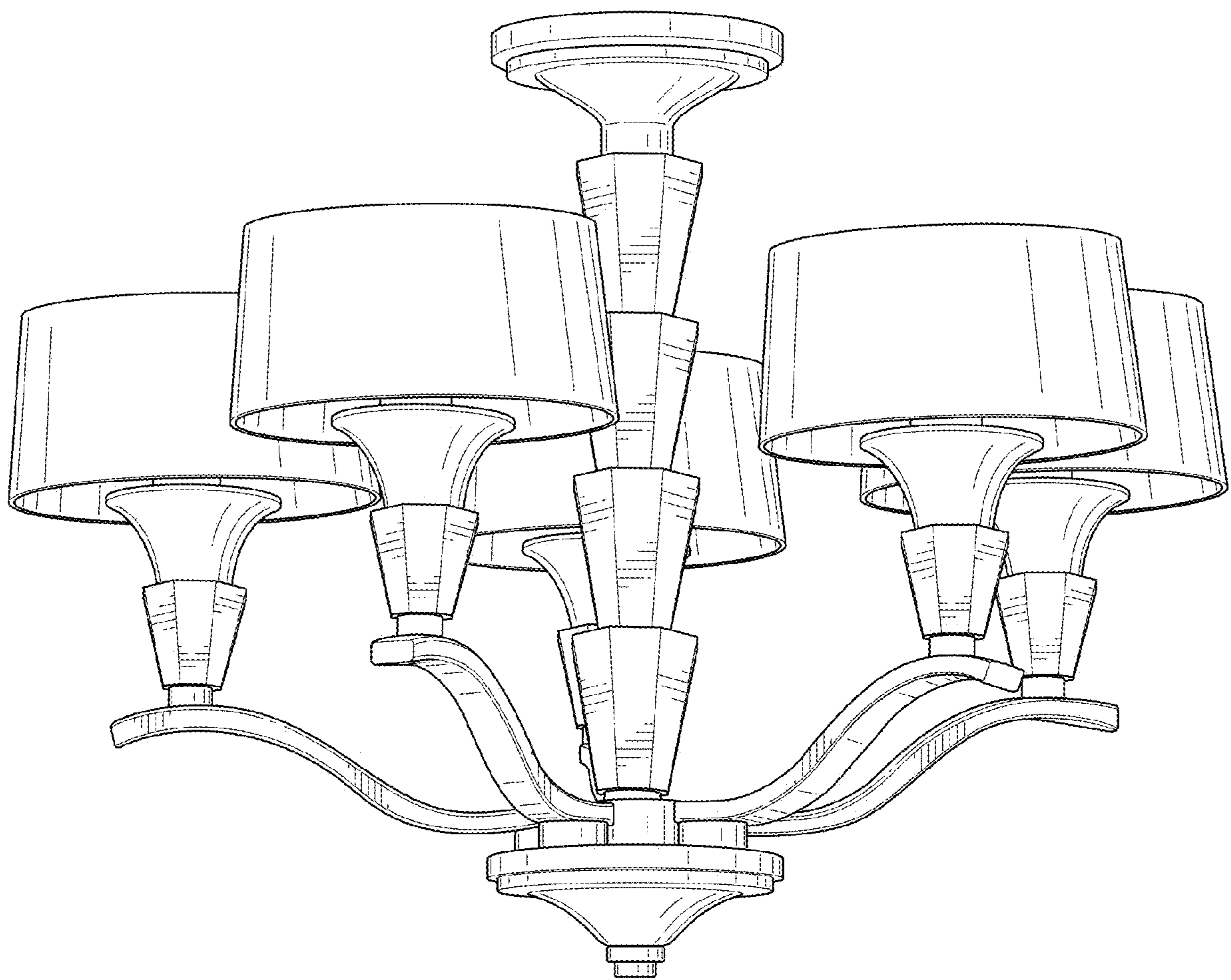


FIG. 1

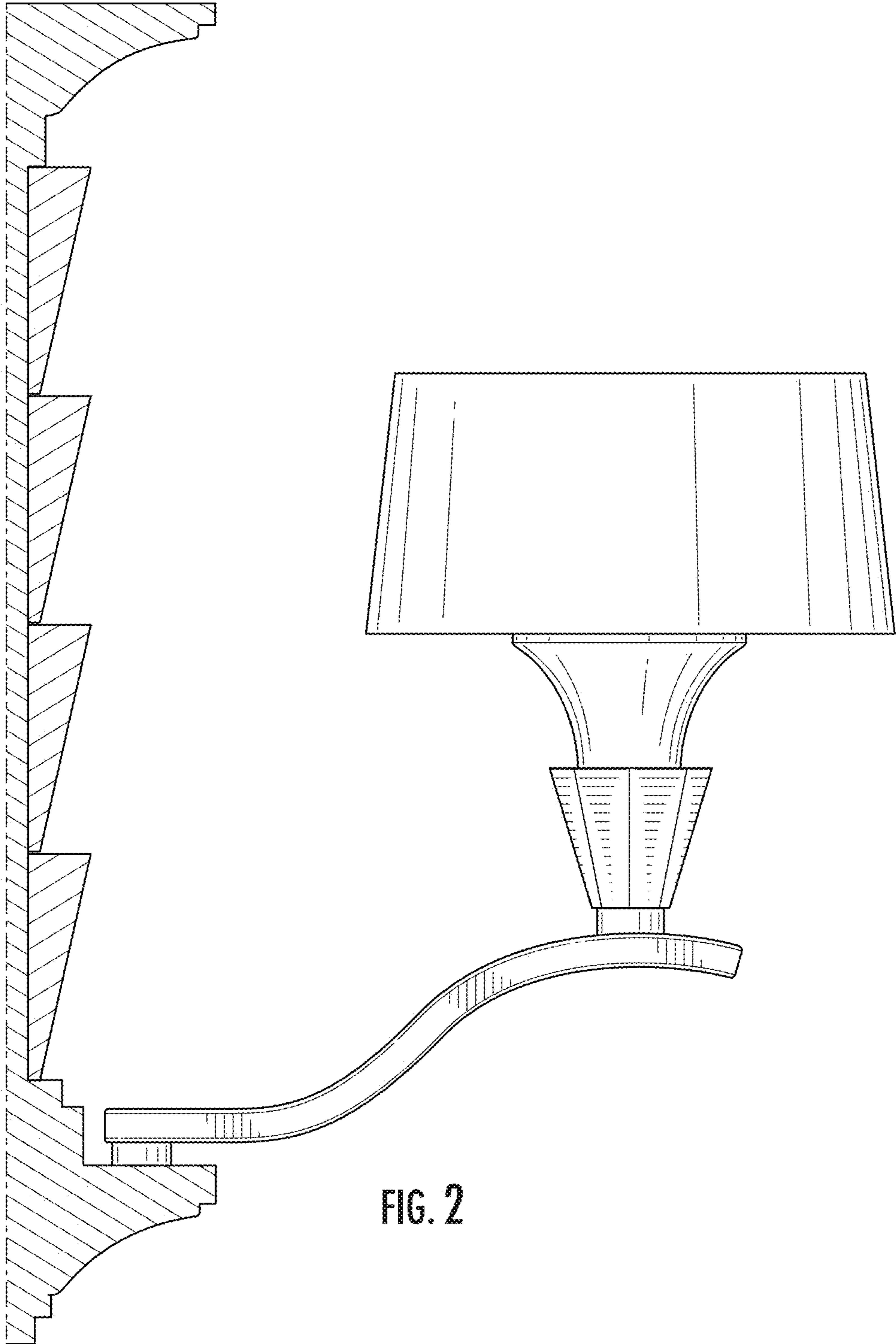


FIG. 2

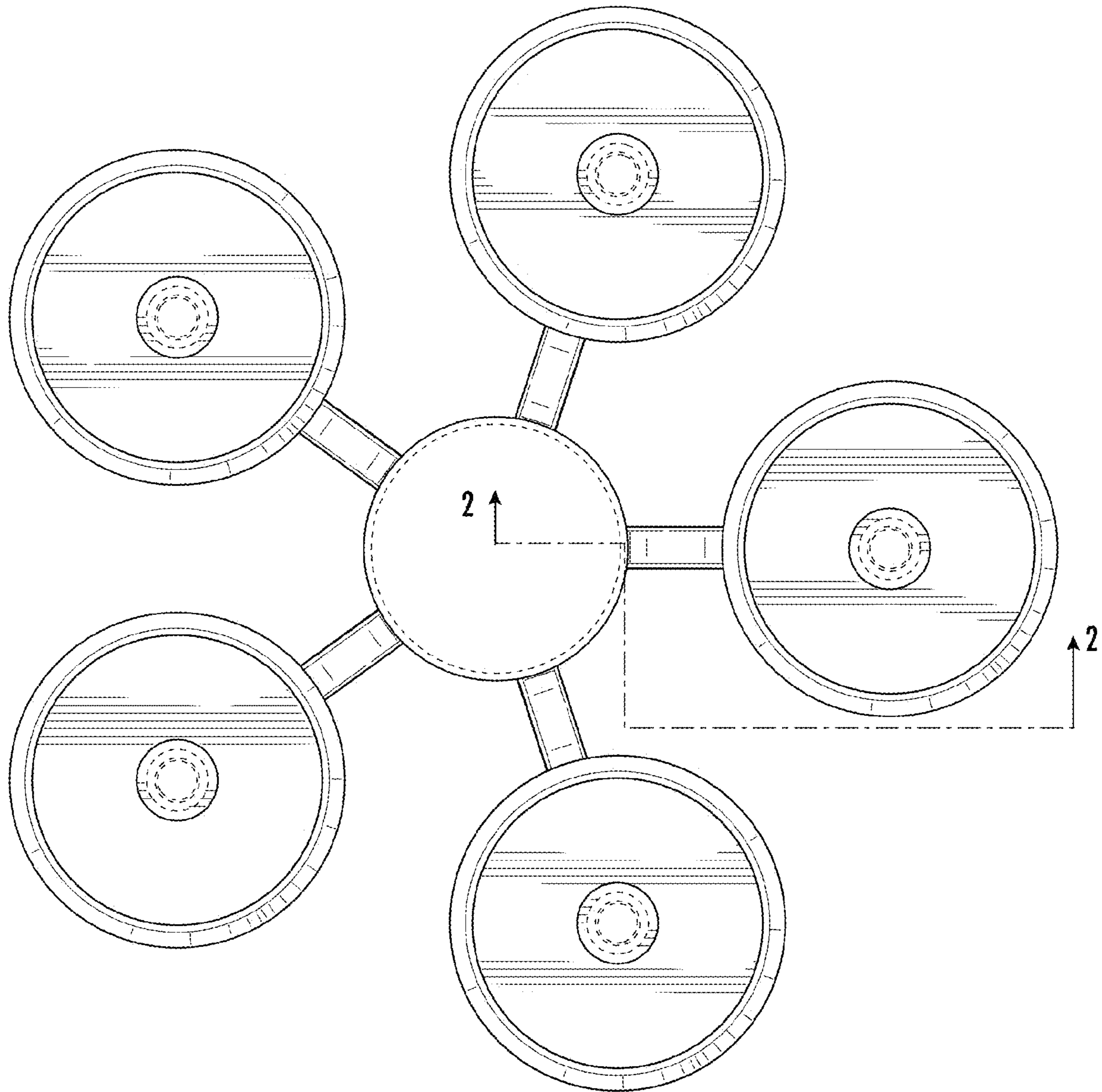


FIG. 3

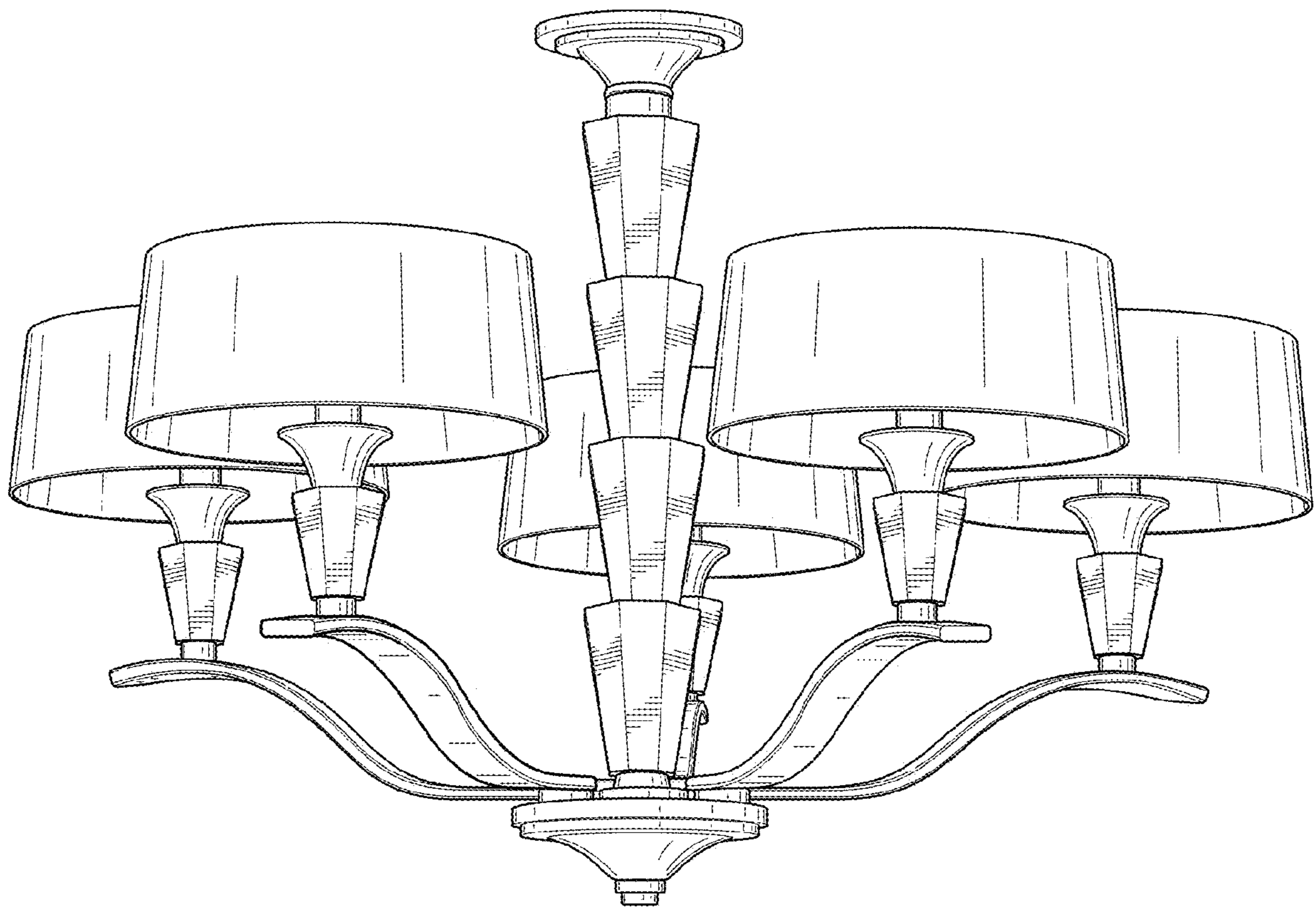


FIG. 4

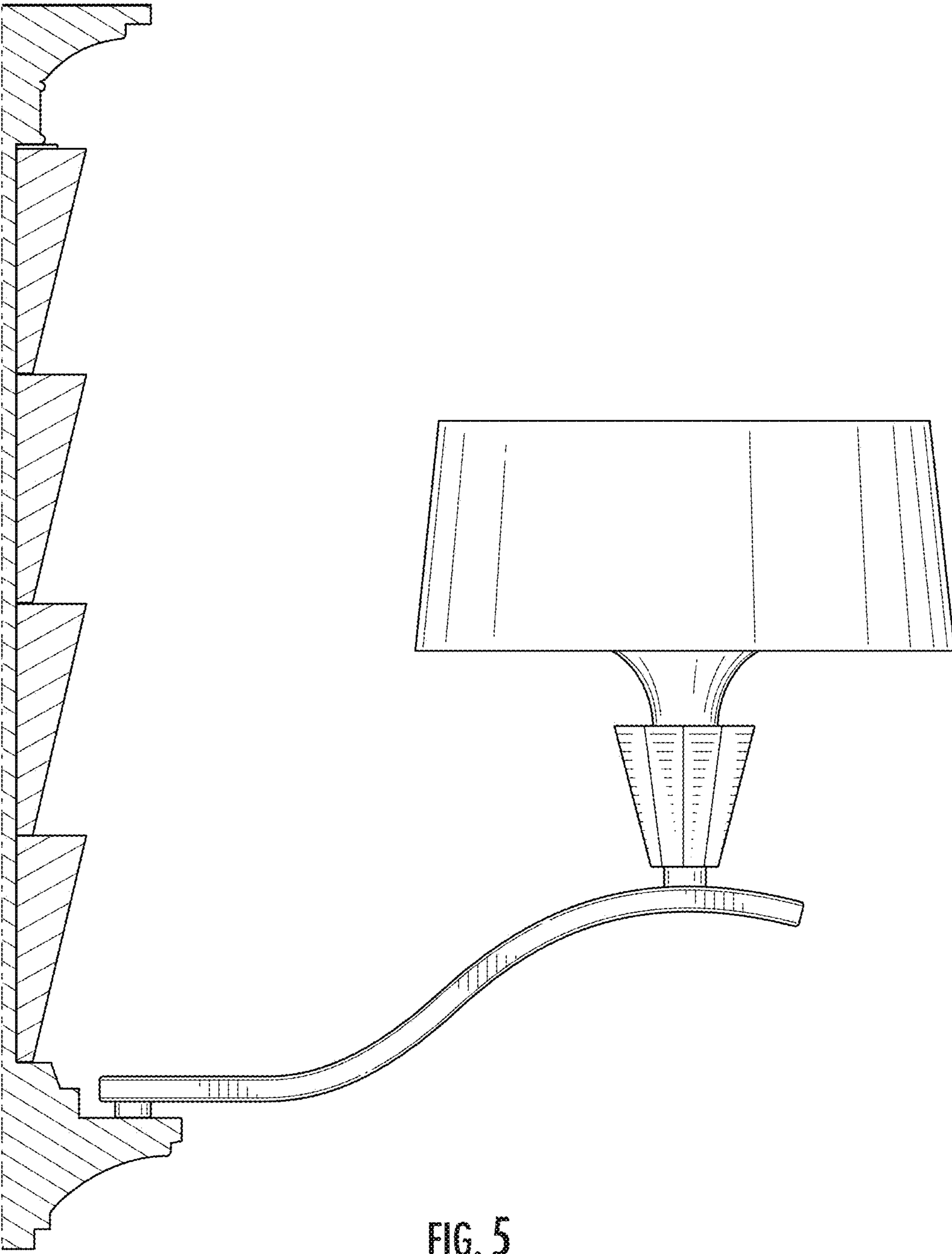


FIG. 5

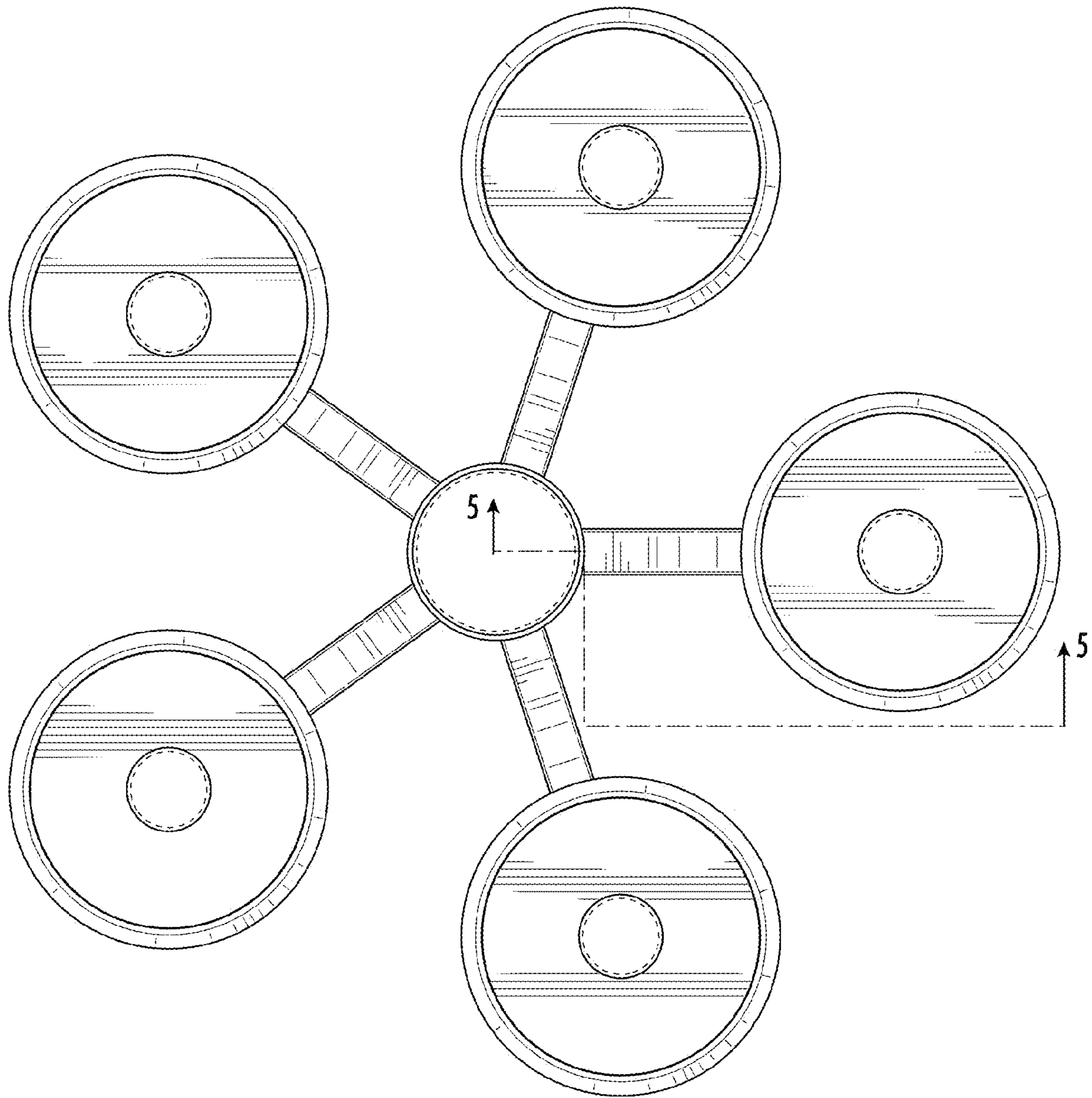


FIG. 6



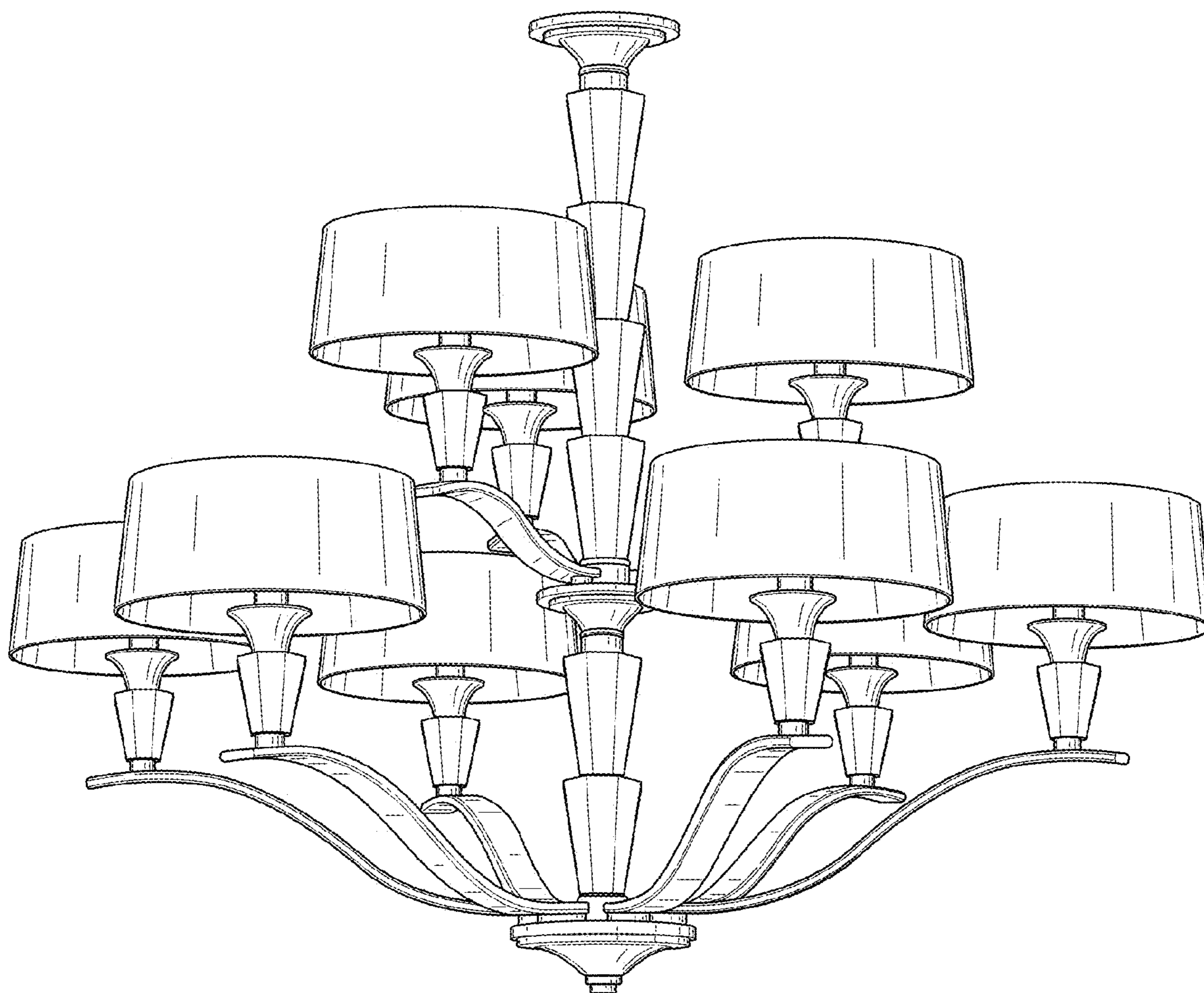


FIG. 7

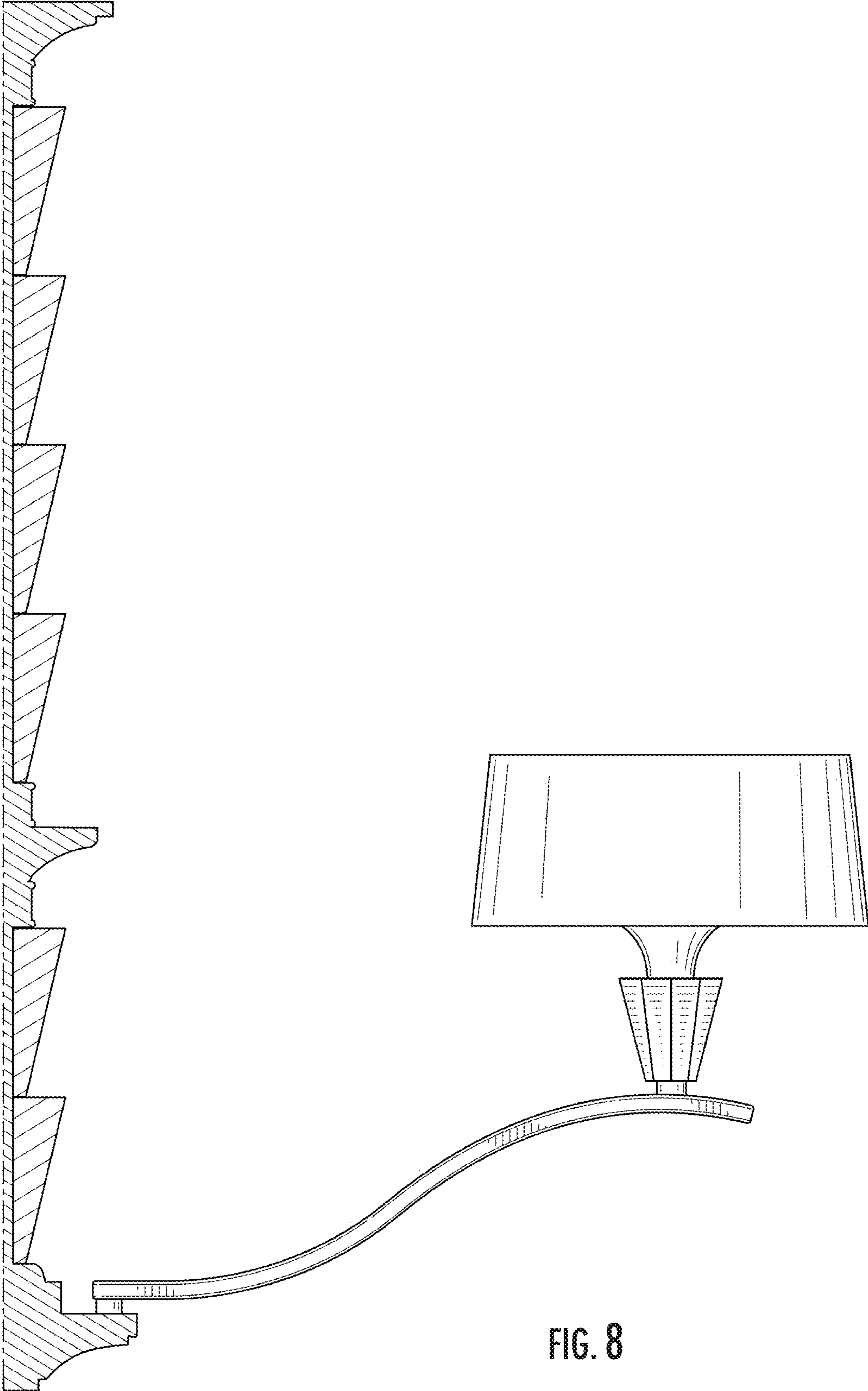


FIG. 8

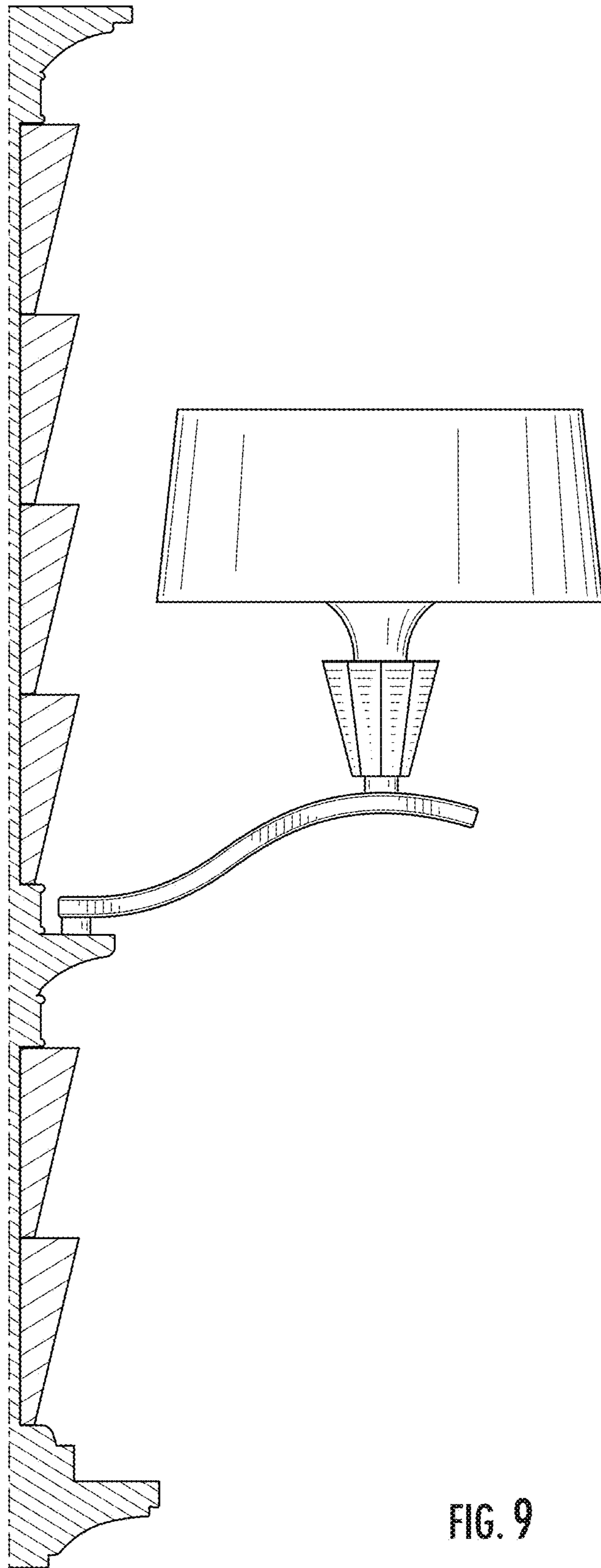


FIG. 9

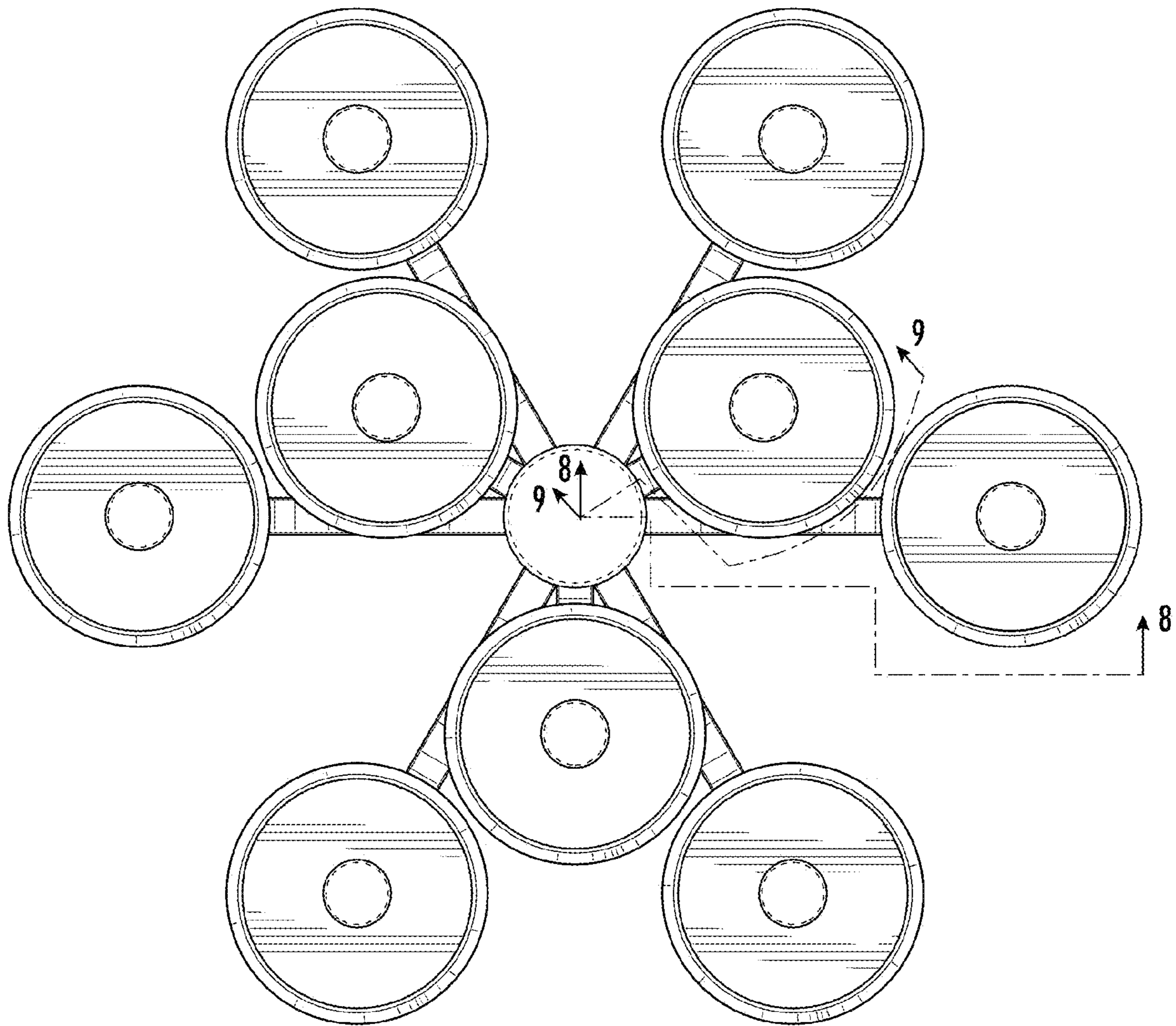


FIG. 10