



US00D968002S

(12) **United States Design Patent** (10) **Patent No.:** **US D968,002 S**
Liu (45) **Date of Patent:** **** Oct. 25, 2022**

(54) **SOLAR INDUCTION LAMP**

FOREIGN PATENT DOCUMENTS

(71) Applicant: **Heyuan Liu**, Ankang (CN)

EM 008537823-0001 * 5/2021

(72) Inventor: **Heyuan Liu**, Dazhou (CN)

OTHER PUBLICATIONS

(**) Term: **15 Years**

Amazon, "Otdair 188 LED Solar Lights", first available Nov. 18, 2020. (<https://www.amazon.com/dp/B08KT92MHJ/?th=1>) (Year: 2020).*

(21) Appl. No.: **29/786,302**

Amazon, "Labensanwa Security Solar Lights", first available Nov. 23, 2020. (<https://www.amazon.com/dp/B08P238BPD/?th=1>) (Year: 2020).*

(22) Filed: **May 31, 2021**

Amazon, "Solar Lights Outdoor CANISI", first available Aug. 25, 2021. (<https://www.amazon.com/dp/B098L4CW7N/>) (Year: 2021).*

(30) **Foreign Application Priority Data**

Amazon, "Solar Motion Lights Outdoor", first available Mar. 15, 2021. (<https://www.amazon.com/dp/B08YYZF2P1/?th=1>) (Year: 2021).*

Mar. 5, 2021 (CN) 202130121336.4

(51) **LOC (13) Cl.** **26-03**

(52) **U.S. Cl.**

USPC **D26/63**

(58) **Field of Classification Search**

USPC ... D26/1, 24, 25, 61, 63, 64, 65, 66, 72, 80, D26/102, 104

CPC F21L 2/00; F21L 4/00; F21L 4/02; F21L 4/025; F21L 4/027; F21L 14/00; F21S 2/00; F21S 8/03; F21S 8/033; F21S 8/035; F21S 6/00; F21S 6/002; F21S 6/004; F21V 21/10; F21V 21/108

See application file for complete search history.

* cited by examiner

Primary Examiner — Lauren D McVey

Assistant Examiner — Justin A Johnson

(57)

CLAIM

The ornamental design for a solar induction lamp, as shown and described.

(56) **References Cited**

DESCRIPTION

U.S. PATENT DOCUMENTS

D786,470 S * 5/2017 Largent D26/72
D835,335 S * 12/2018 Paredes F21V 21/29
D26/120

D858,845 S * 9/2019 Zhang D26/63
D869,720 S * 12/2019 Recker D26/63
D892,380 S * 8/2020 Yan D26/65
D908,262 S * 1/2021 Dai D26/63

D911,571 S 2/2021 Liu
D914,261 S * 3/2021 Ouyang D26/65
D925,084 S * 7/2021 Chen D26/63
D929,008 S * 8/2021 Singh D26/63
D932,082 S * 9/2021 Zhang D26/72

D934,479 S * 10/2021 Liu D26/63
D944,435 S * 2/2022 Jiang D26/65
2018/0156427 A1 * 6/2018 Bailey F21V 23/001

FIG. 1 is a front and top perspective view of a solar induction lamp, showing my new design;

FIG. 2 is a rear and bottom perspective view thereof;

FIG. 3 is a front elevation view thereof;

FIG. 4 is a rear elevation view thereof;

FIG. 5 is a left side elevation view thereof;

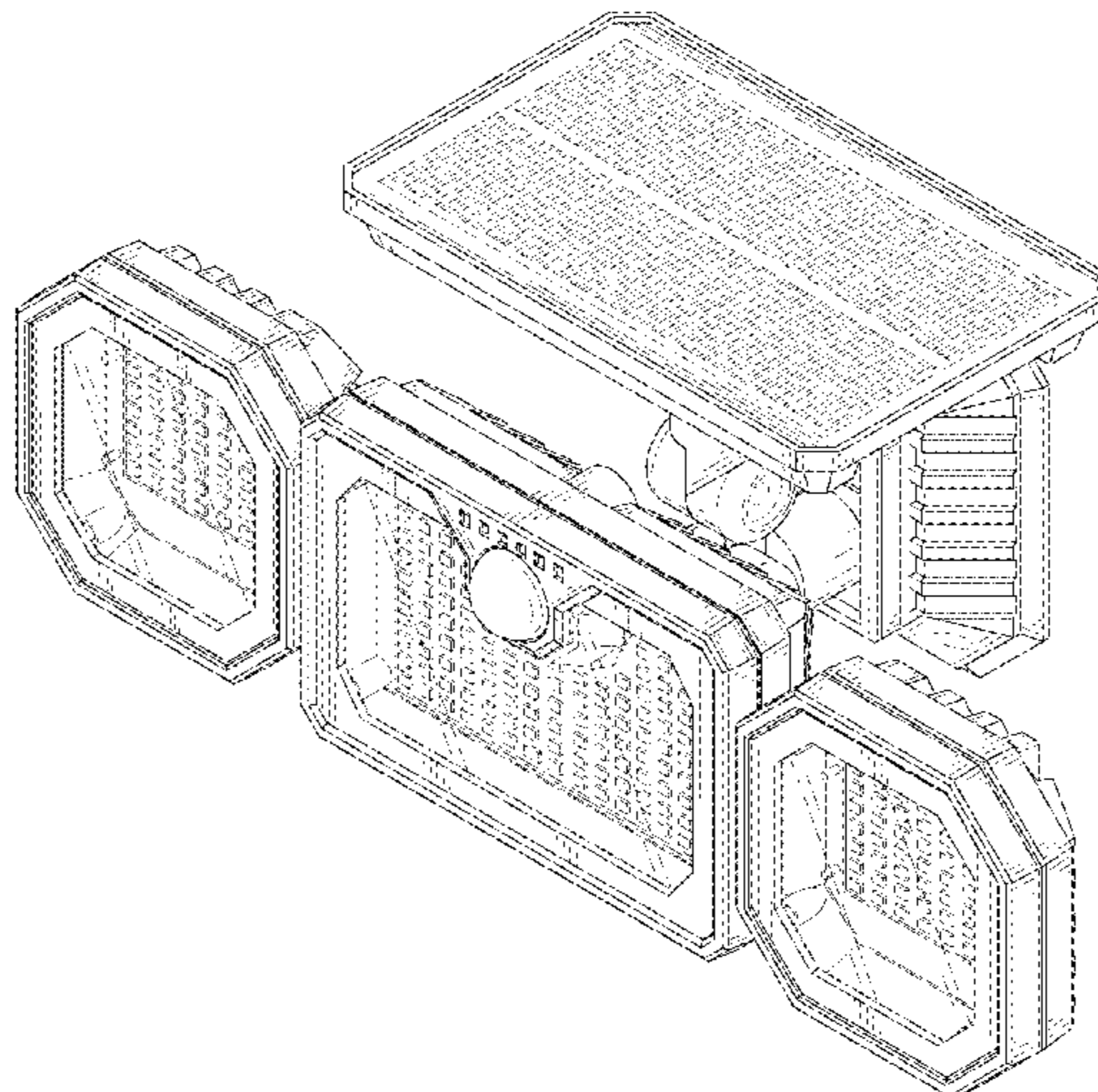
FIG. 6 is a right side elevation view thereof;

FIG. 7 is a top plan view thereof; and,

FIG. 8 is a bottom plan view thereof.

The broken lines immediately adjacent to the shaded areas depict the bounds of the claimed design, while all other broken lines are directed to environment. The broken lines form no part of the claimed design.

1 Claim, 8 Drawing Sheets



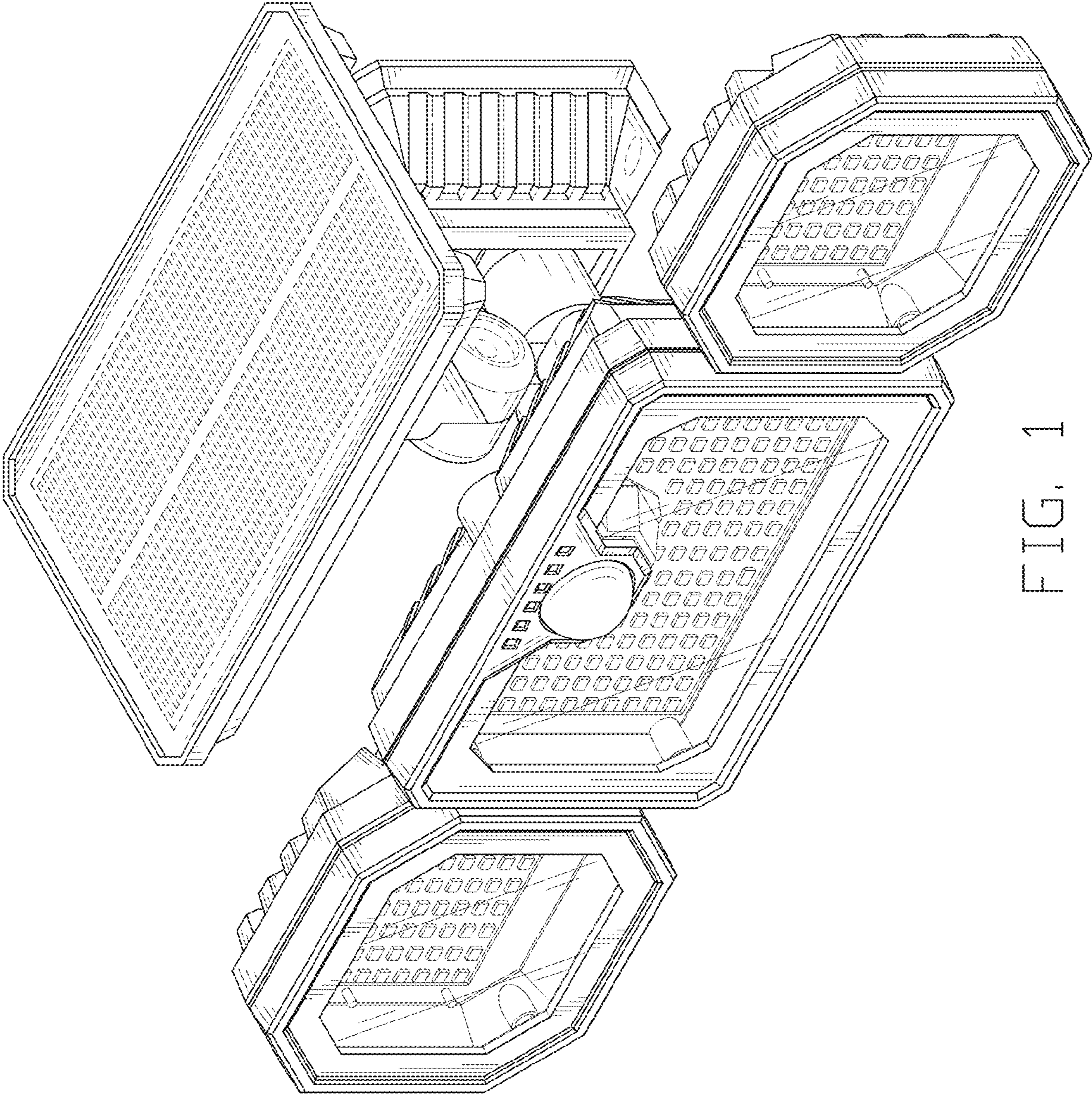


FIG. 1

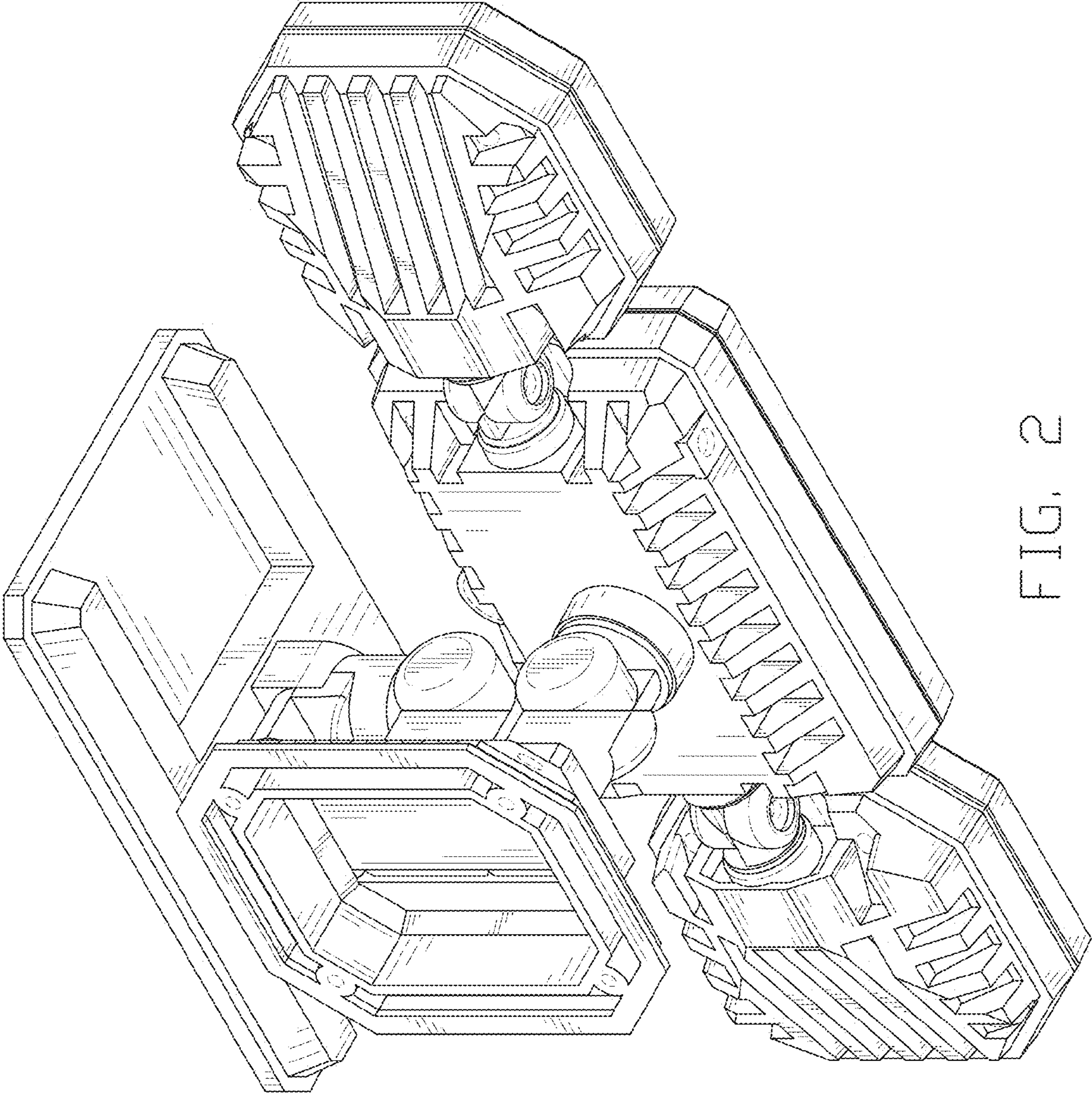


FIG. 2

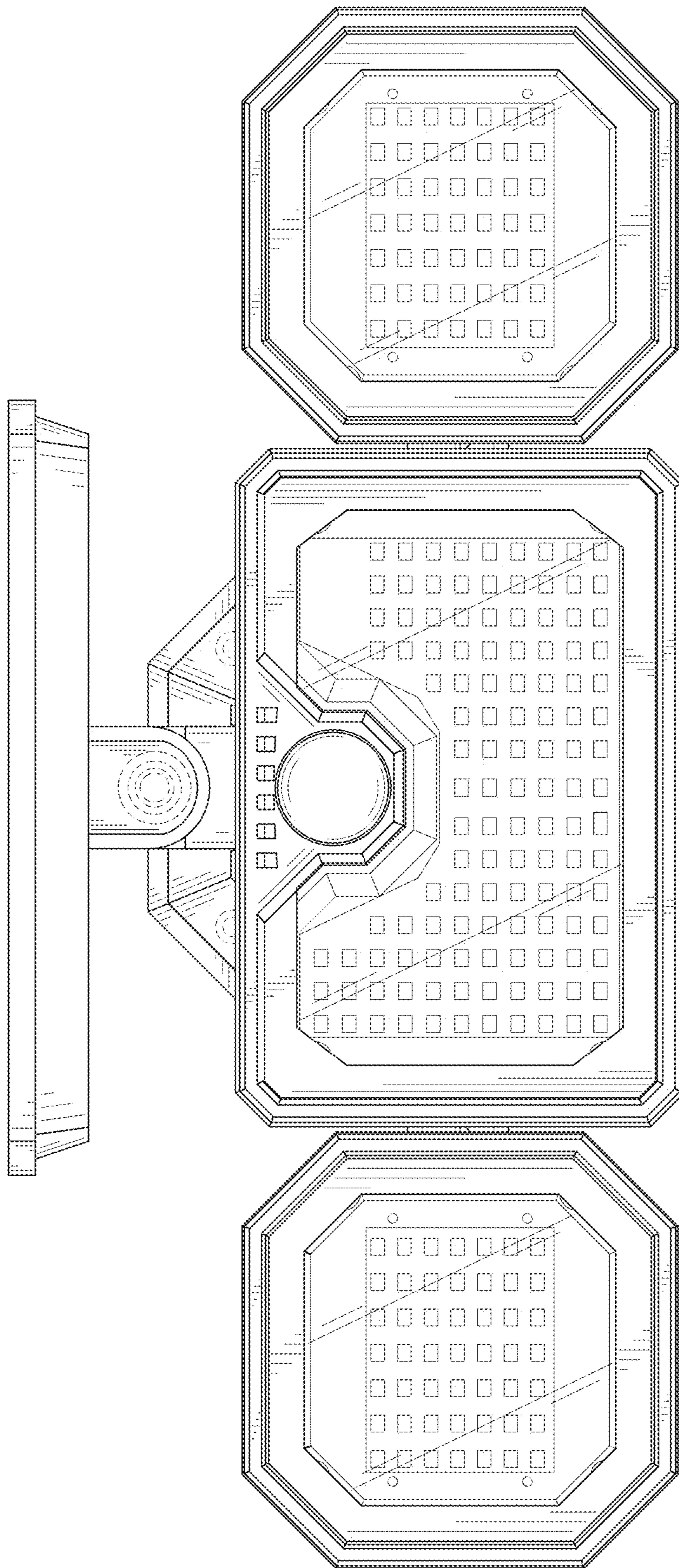


FIG. 3

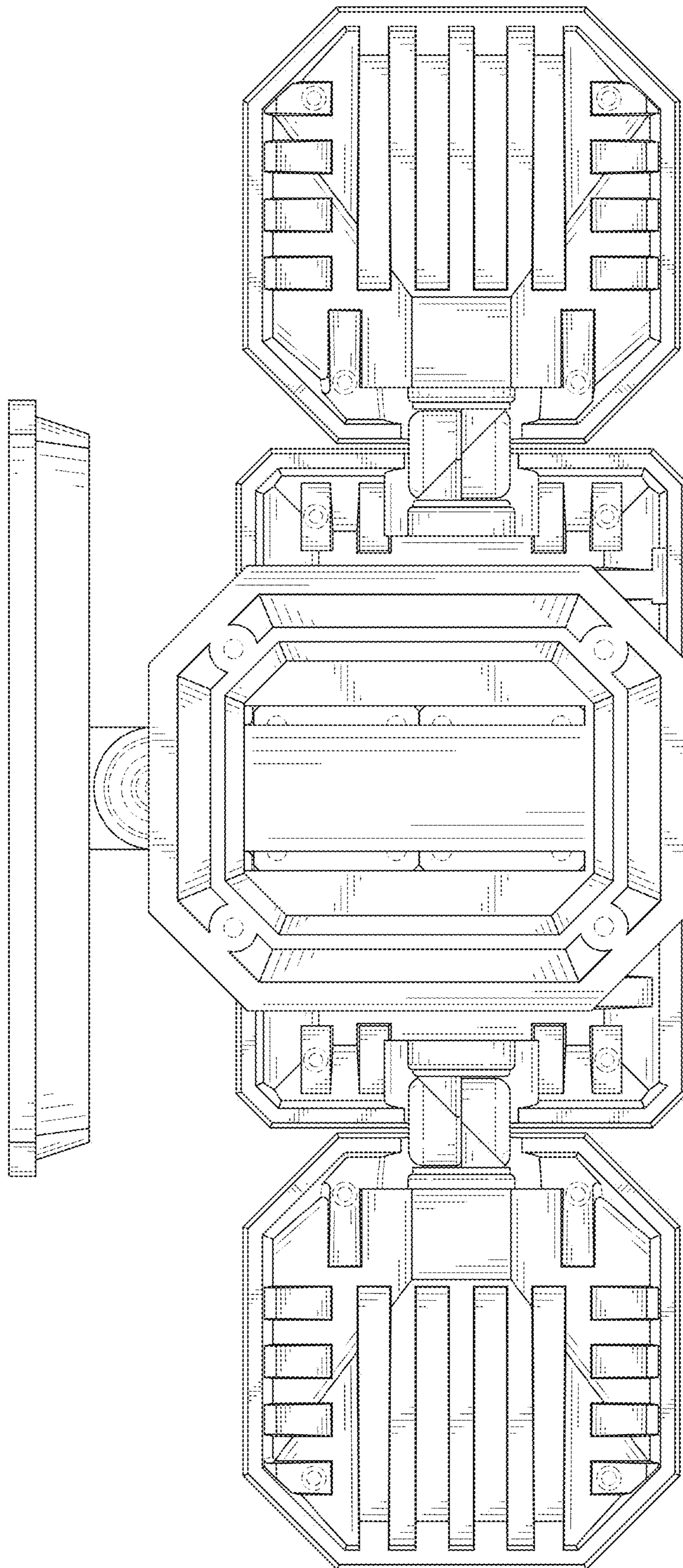


FIG. 4

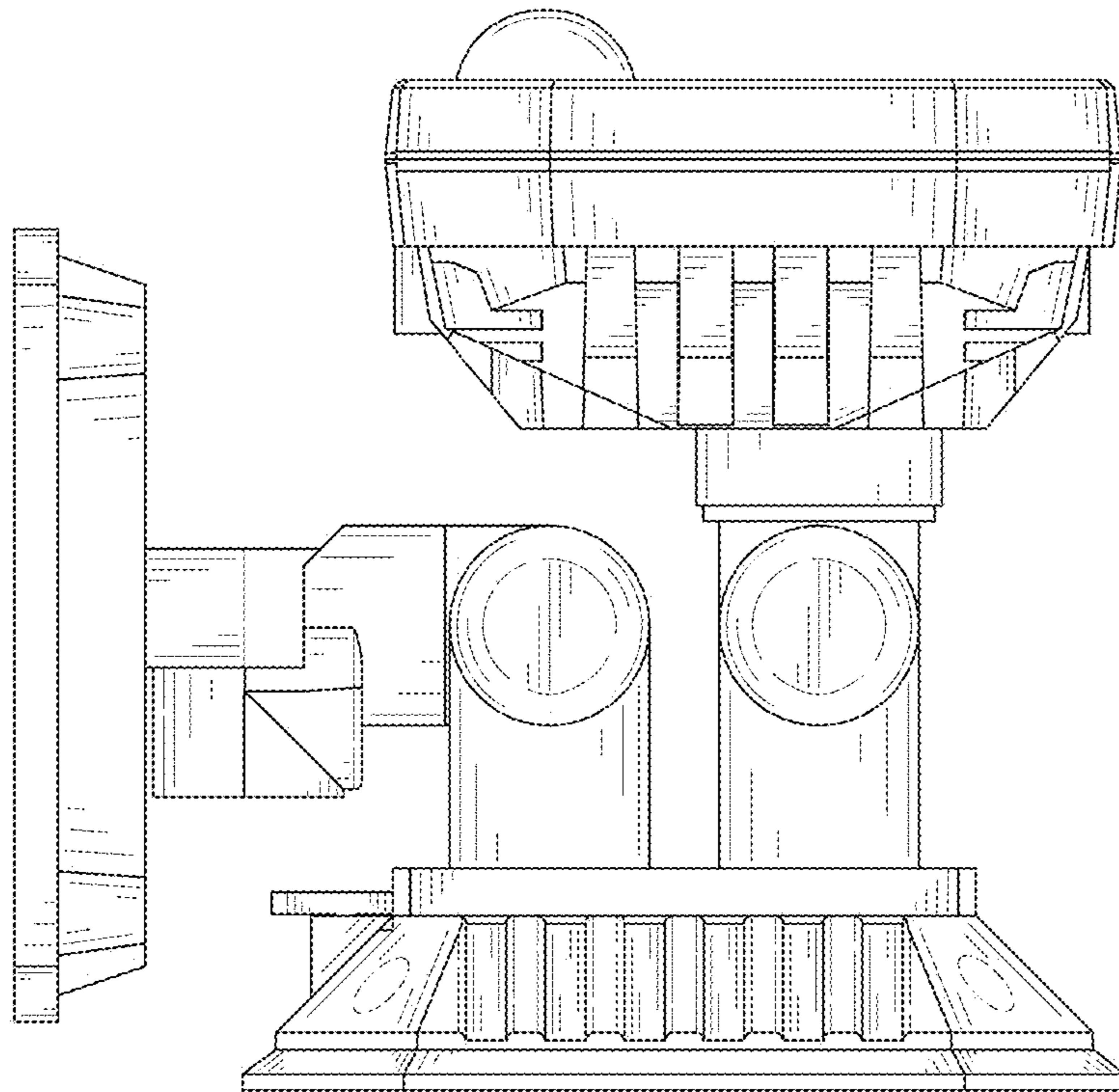


FIG. 5

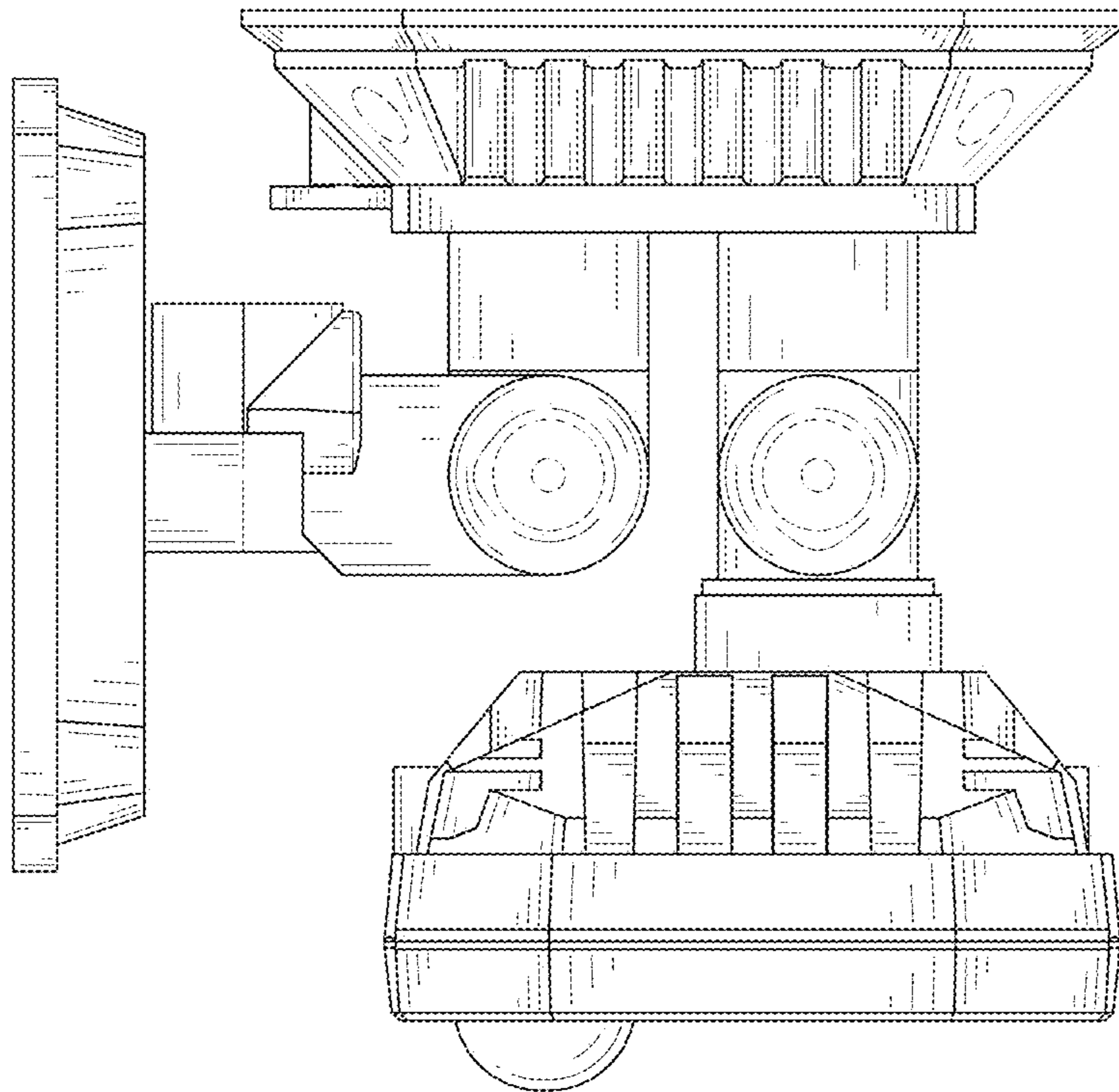


FIG. 6

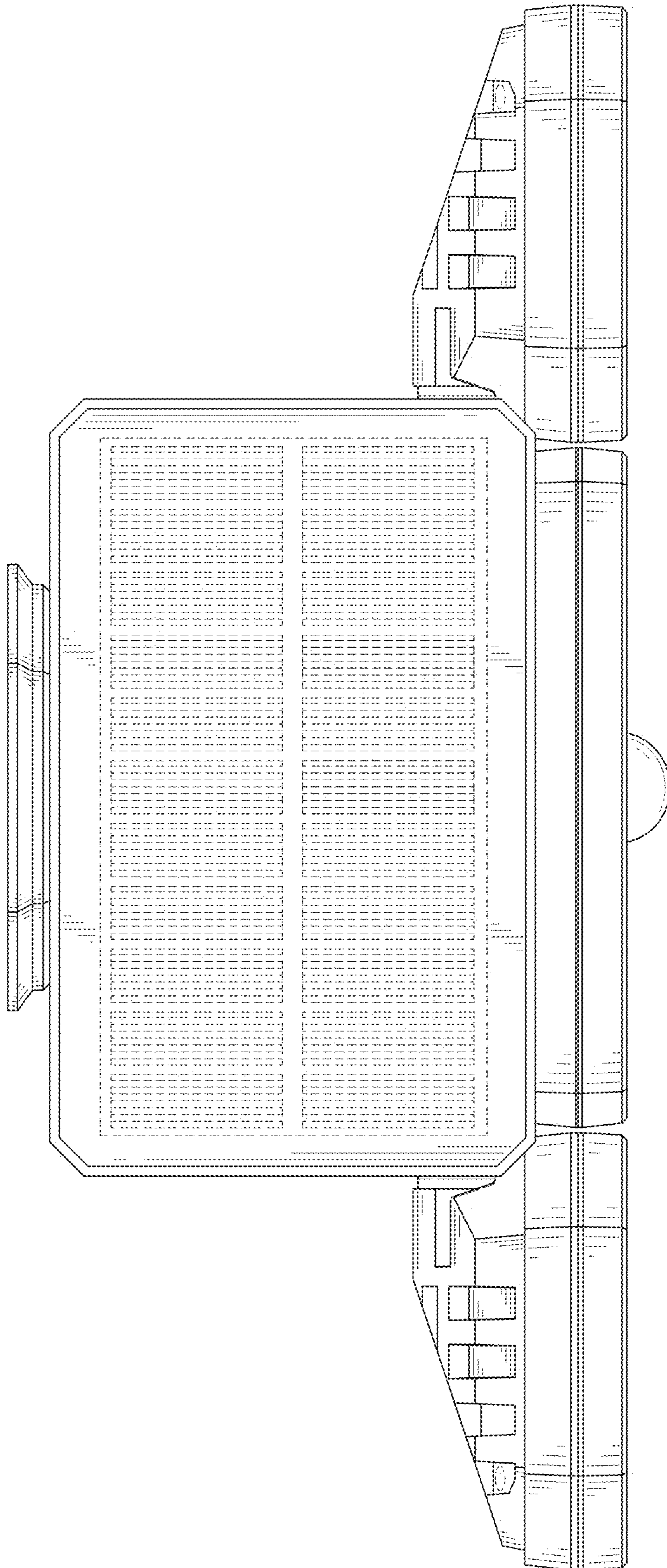


FIG. 7

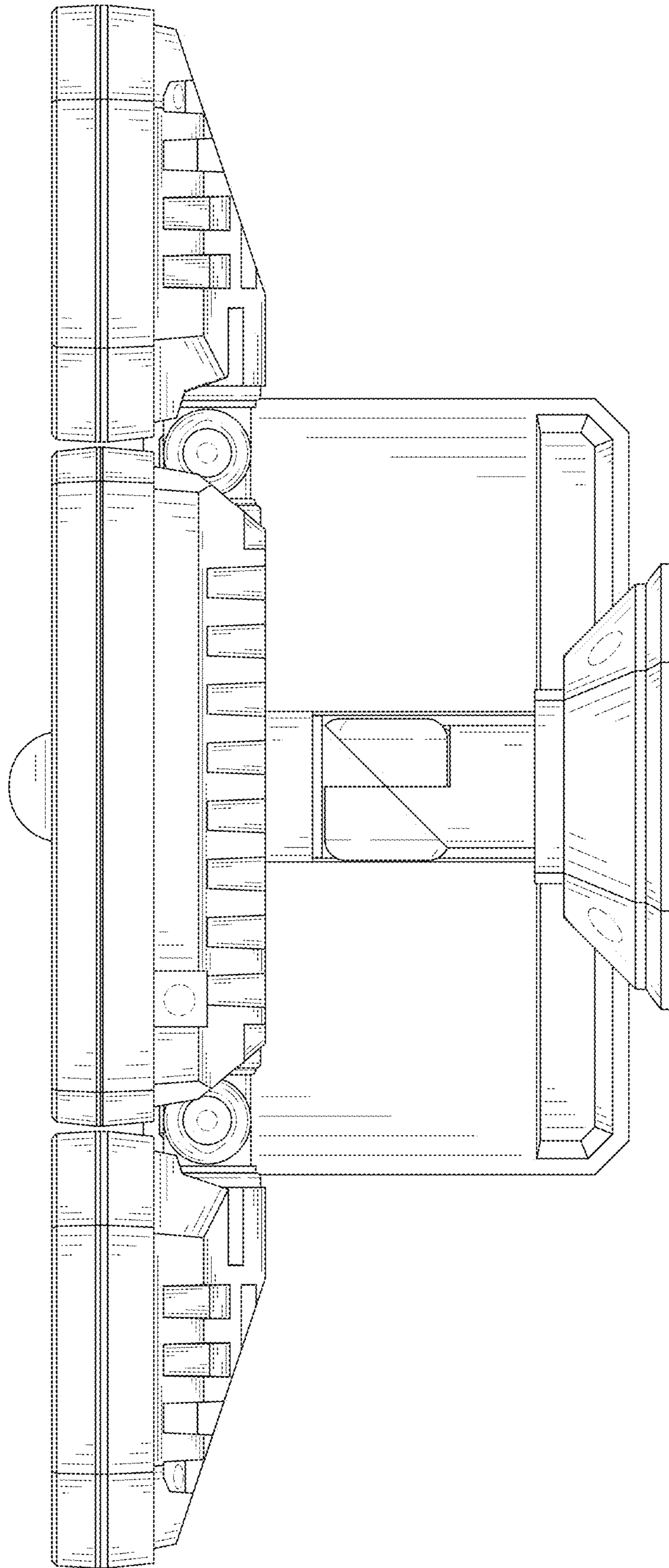


FIG. 8